



US00D762734S

(12) **United States Design Patent**
Kwong

(10) **Patent No.:** **US D762,734 S**

(45) **Date of Patent:** **** Aug. 2, 2016**

- (54) **GAME CONSOLE**
- (71) Applicant: **VTech Electronics, Ltd.**, Tai Po (HK)
- (72) Inventor: **Chin Fai Kwong**, Tuen Mun (HK)
- (73) Assignee: **VTECH ELECTRONICS, LTD.**, Tai Po, New Territories (HK)
- (**) Term: **15 Years**
- (21) Appl. No.: **29/528,600**
- (22) Filed: **May 29, 2015**
- (51) **LOC (10) Cl.** **14-03**
- (52) **U.S. Cl.**
USPC **D14/496**; D21/332
- (58) **Field of Classification Search**
USPC D14/496, 401, 435, 474, 483, 217, 137,
D14/138, 160, 168, 356, 203.1-203.8, 507;
345/156, 169, 173-179, 905;
715/727-729, 864; 710/1, 5, 8; 713/1,
713/600; 455/1.1, 1.7, 73, 344-347, 93, 95,
455/3.01-3.06, 550.1, 573.1; 370/342-344;
369/1, 2, 6-12; 463/43-47, 29-35;
273/148 B; D21/324-333
CPC A63F 9/00; A63F 9/24; A63F 11/00;
A63F 13/00; A63F 2300/00; H04J 1/08;
H04J 15/00; H04J 14/02; H04J 2203/0025
See application file for complete search history.

- 6,193,609 B1 * 2/2001 D'Achard Van
Enschut A63F 13/04
273/148 B
- D442,998 S * 5/2001 Ashida D21/332
- 6,872,139 B2 * 3/2005 Sato A63F 13/10
463/1
- D503,750 S * 4/2005 Kit D21/324
- 7,424,388 B2 * 9/2008 Sato A63F 13/06
345/156
- D600,287 S * 9/2009 Oikawa D21/324
- 8,606,896 B2 * 12/2013 Jing H04L 12/2809
709/223
- D717,873 S * 11/2014 Uhrman D21/324
- D721,138 S * 1/2015 Barinaga D21/332
- D747,417 S * 1/2016 Cho D21/324

* cited by examiner

Primary Examiner — Prabhakar Deshmukh
(74) *Attorney, Agent, or Firm* — McAndrews, Held & Malloy, Ltd.

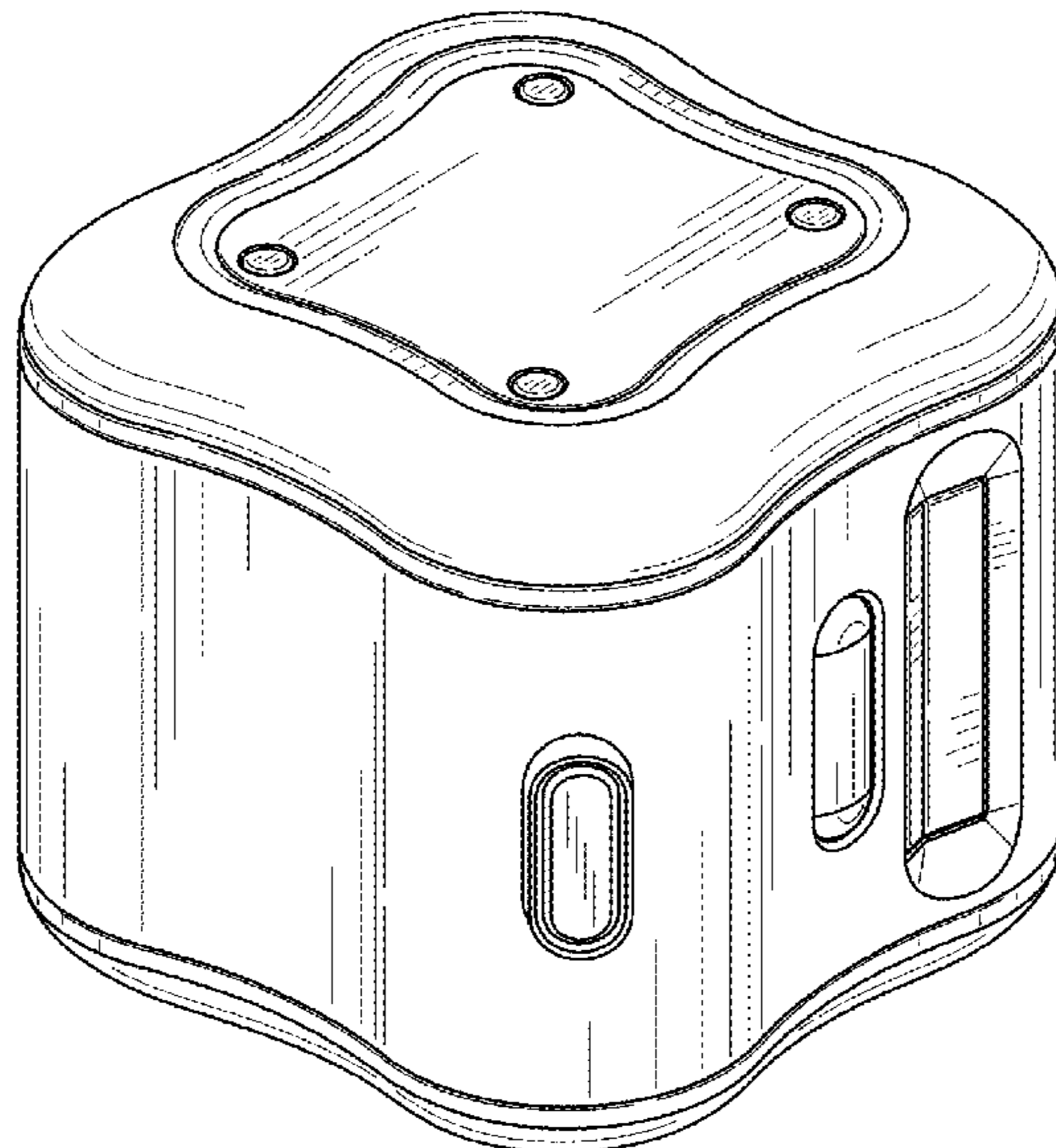
(57) **CLAIM**
The ornamental design for a game console, as shown and described.

DESCRIPTION

FIG. 1 is a top front perspective view of a game console showing my new design;
FIG. 2 is a front view thereof;
FIG. 3 is a rear view thereof;
FIG. 4 is a right-side elevation view thereof;
FIG. 5 is a left-side elevation view thereof;
FIG. 6 is a top plan view thereof;
FIG. 7 is a bottom plan view thereof;
FIG. 8 is a bottom front perspective view thereof;
FIG. 9 is a bottom rear perspective view thereof; and,
FIG. 10 is a top rear perspective view thereof.

- (56) **References Cited**
U.S. PATENT DOCUMENTS
D321,727 S * 11/1991 Urbanski D14/454
D419,200 S * 1/2000 Ashida D21/332

1 Claim, 6 Drawing Sheets



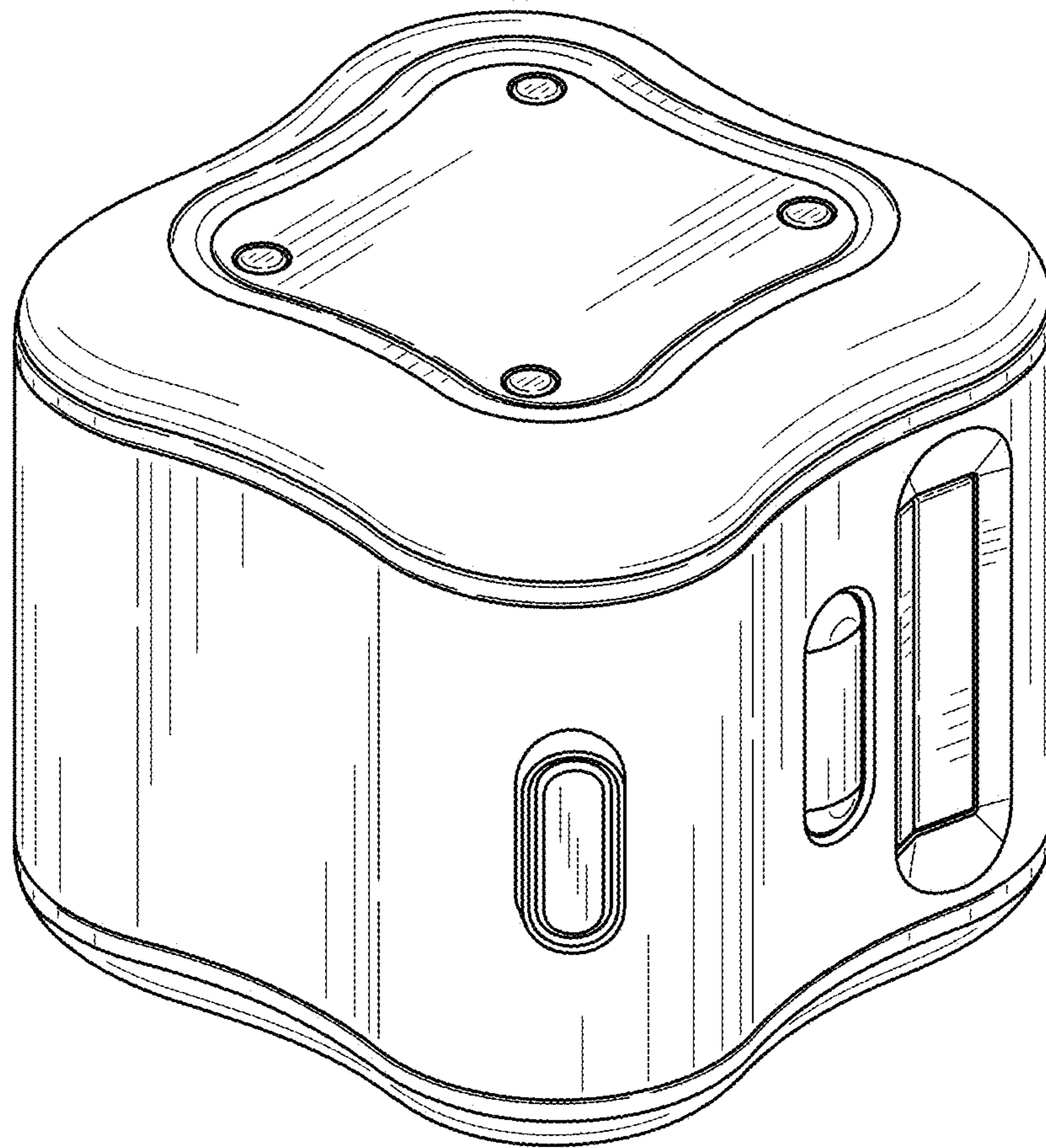


FIG. 1

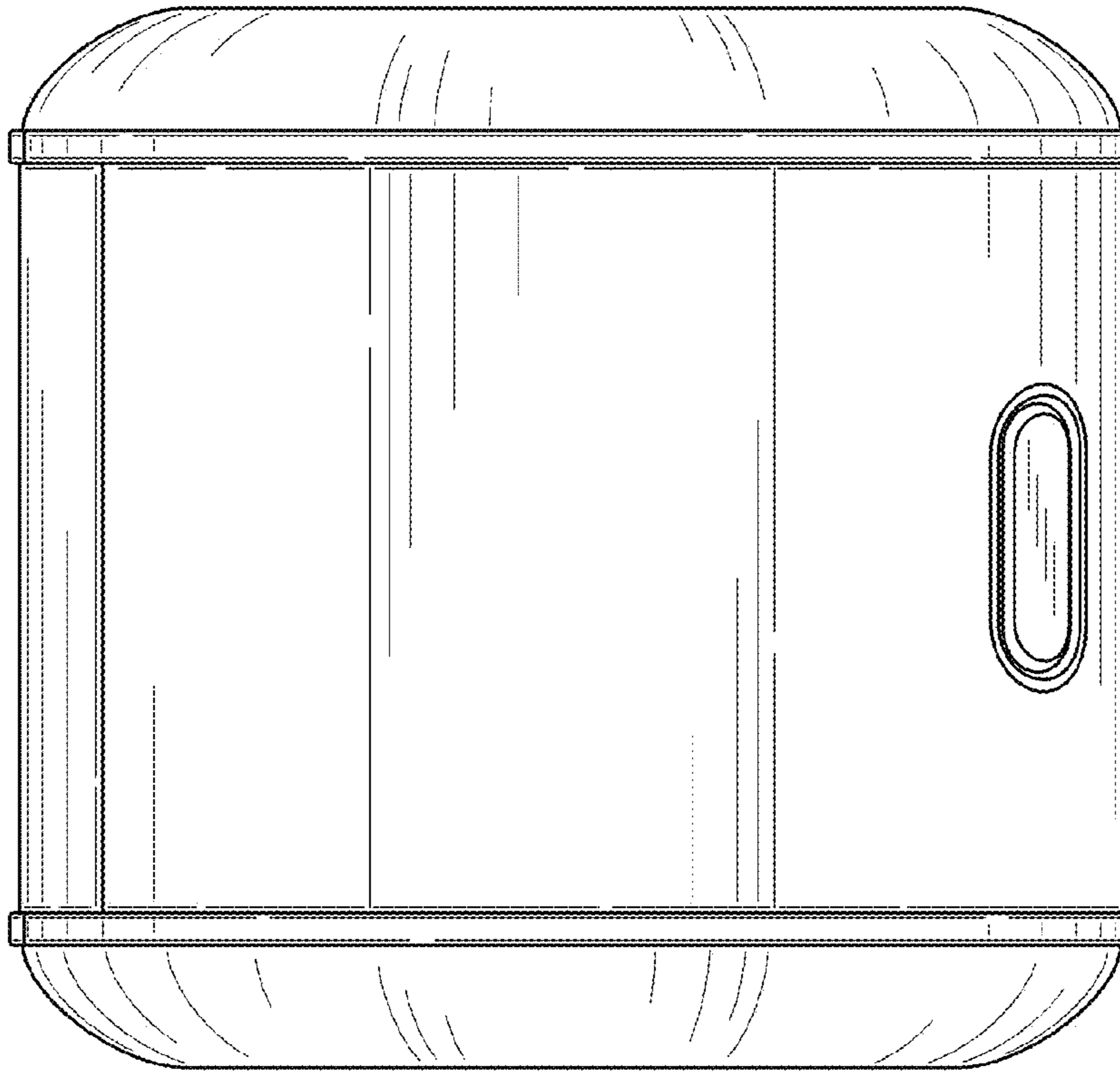


FIG. 2

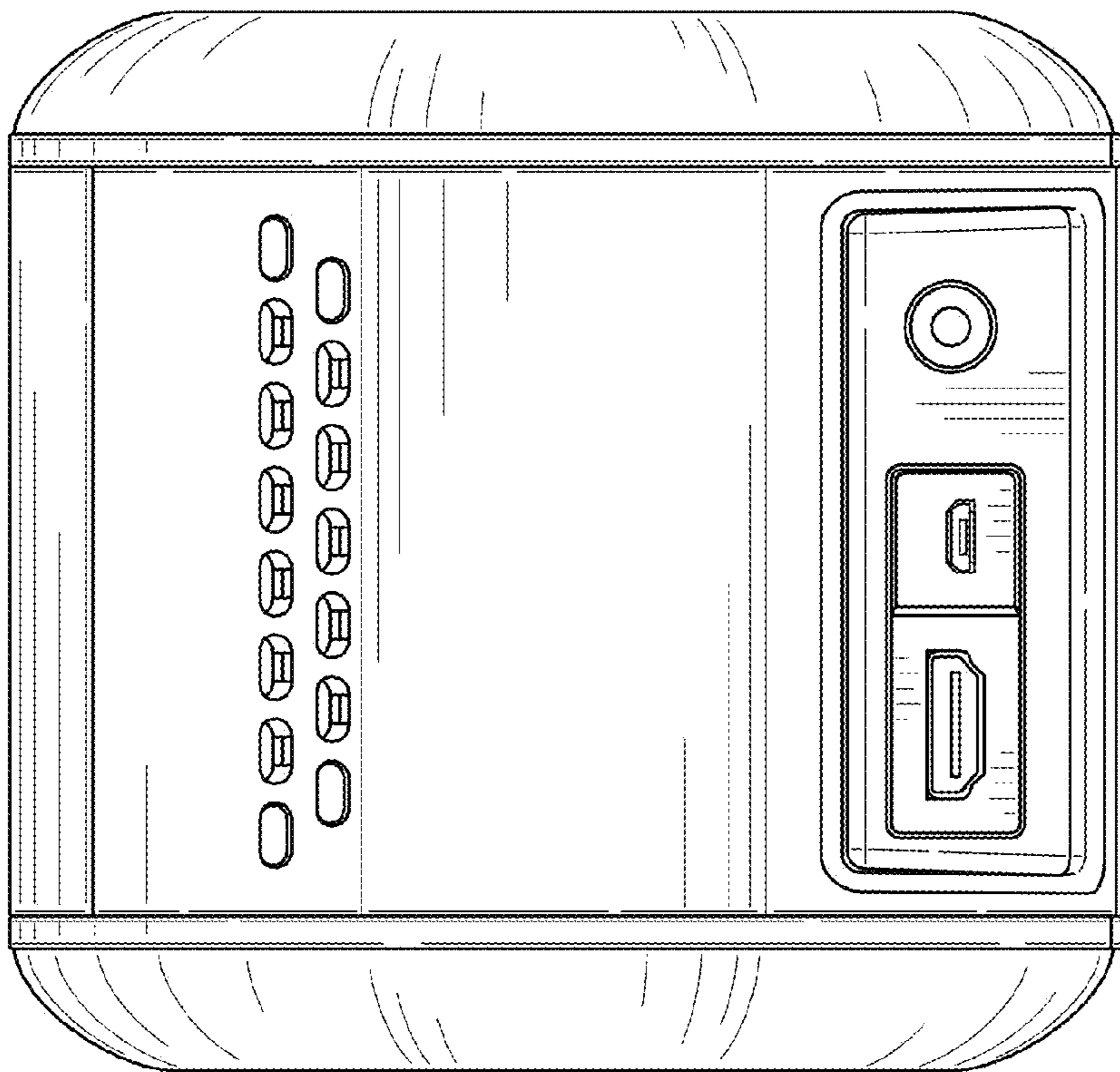


FIG. 3

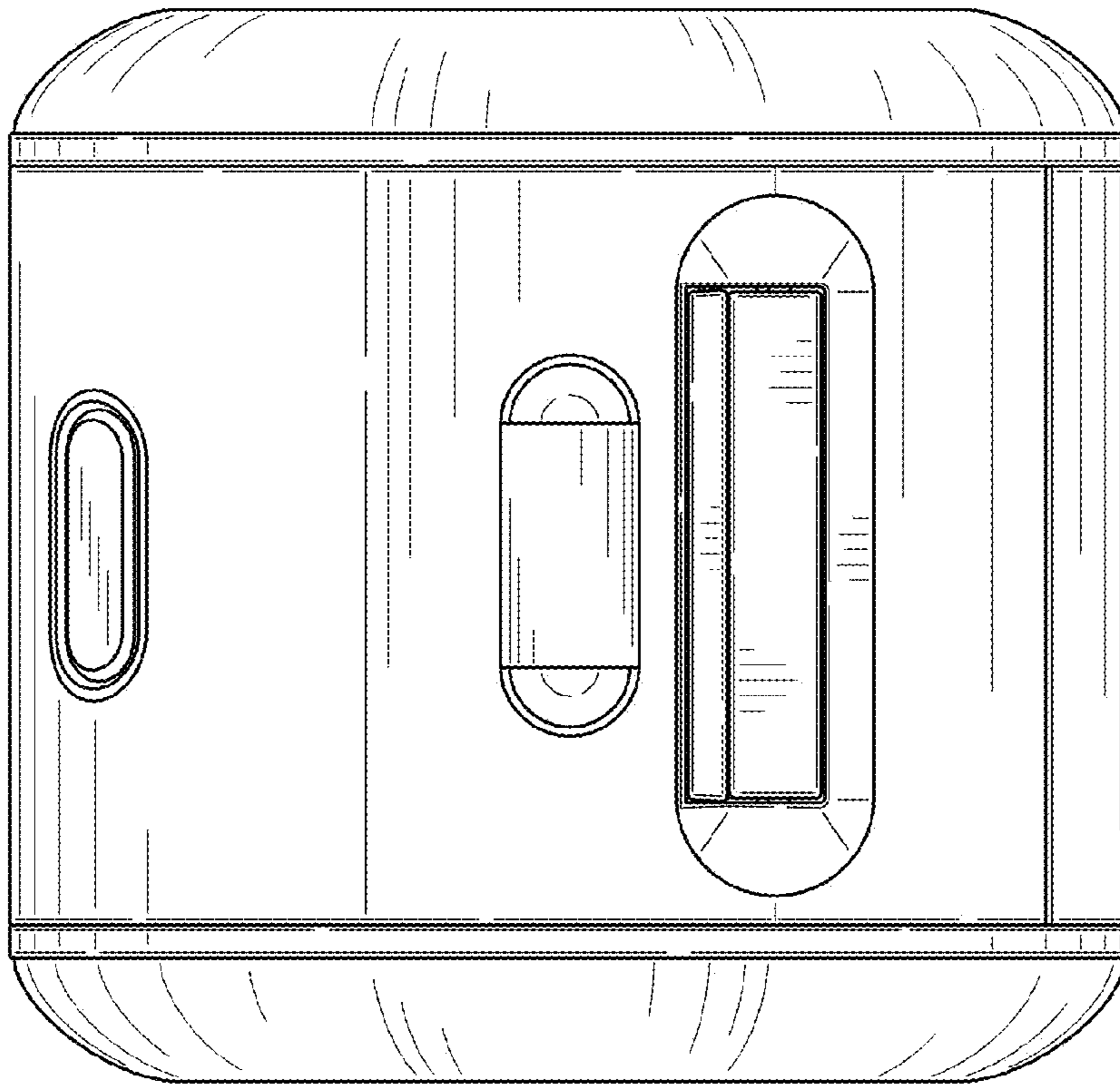


FIG. 4

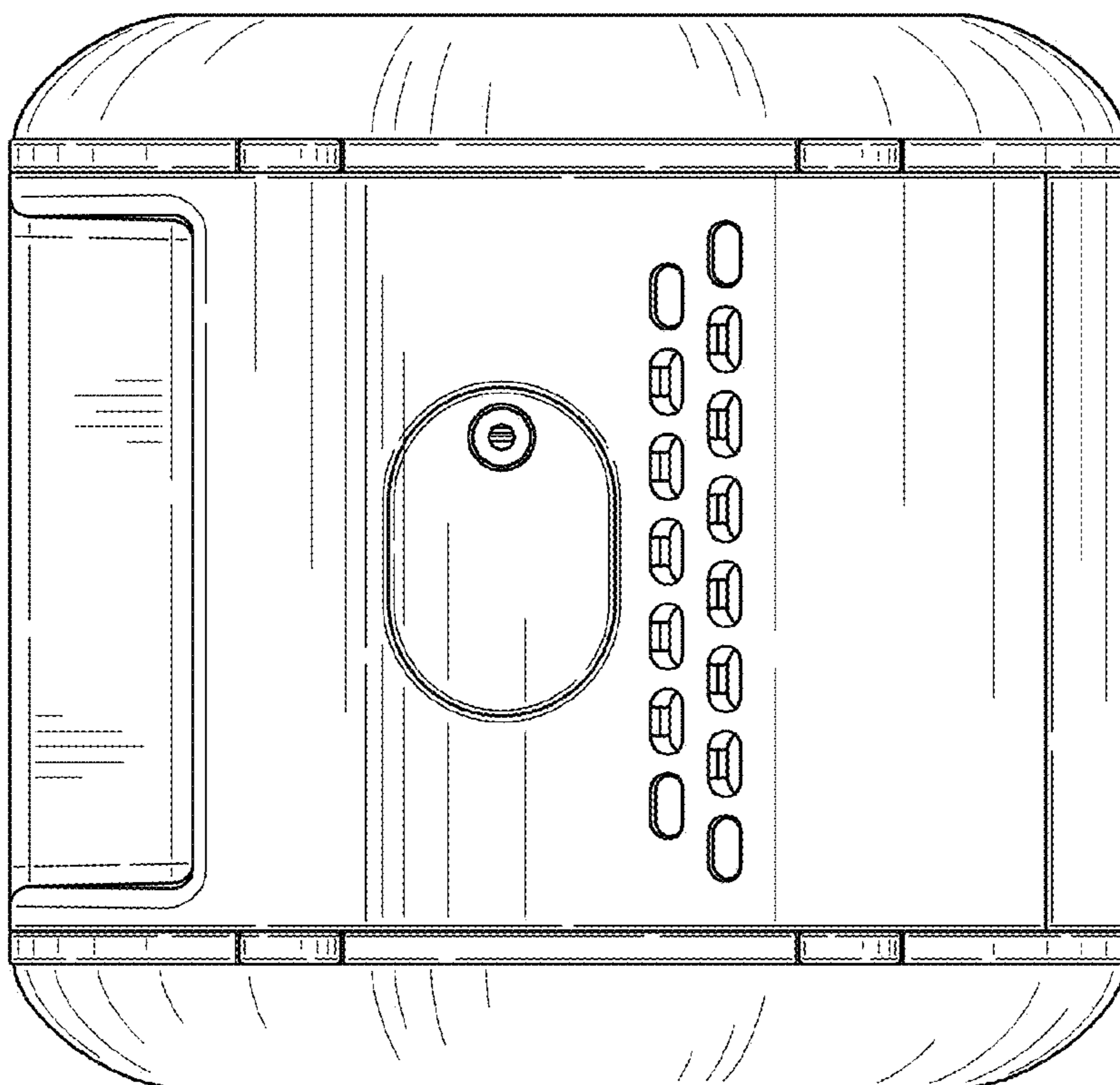


FIG. 5

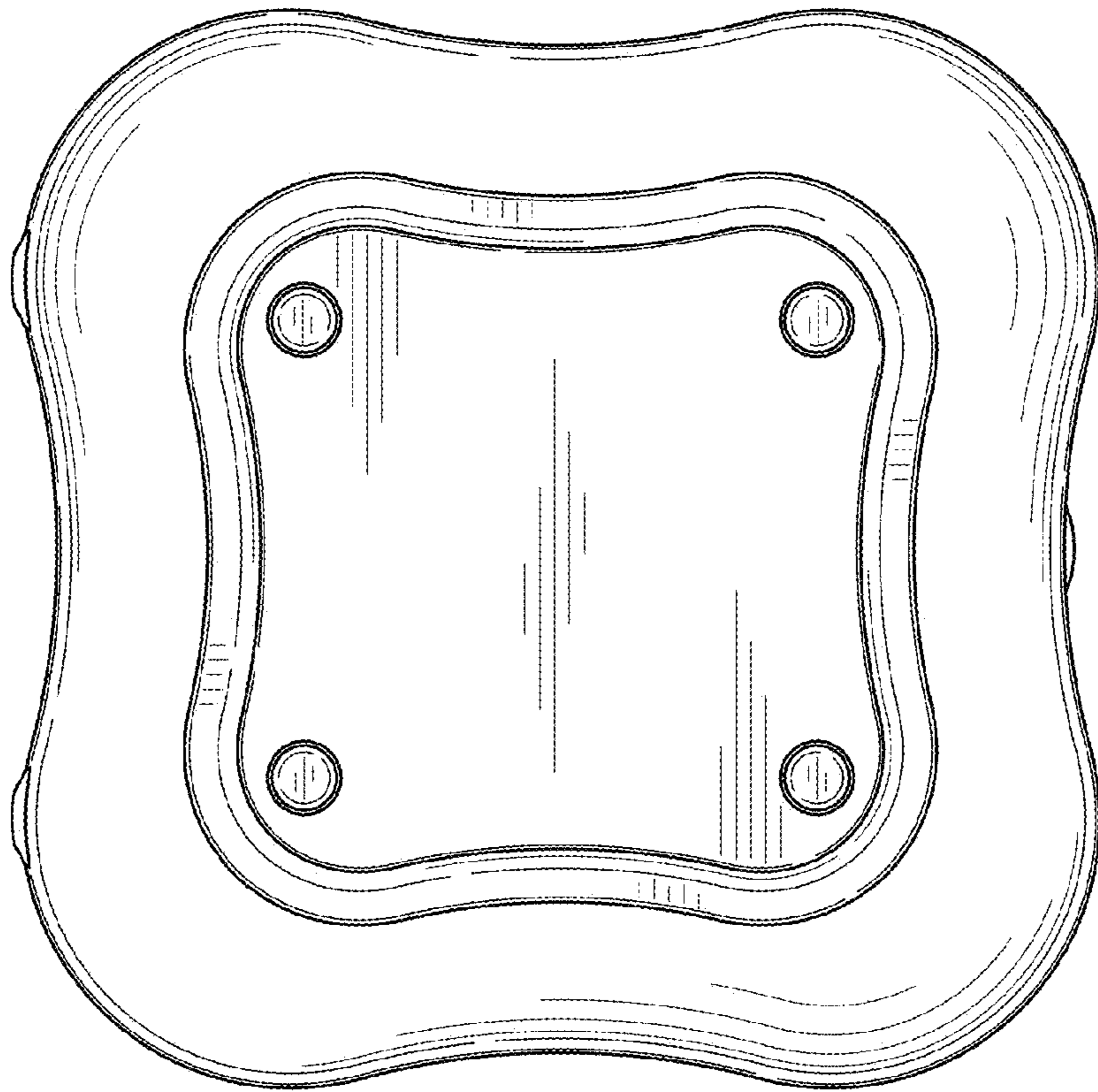


FIG. 6

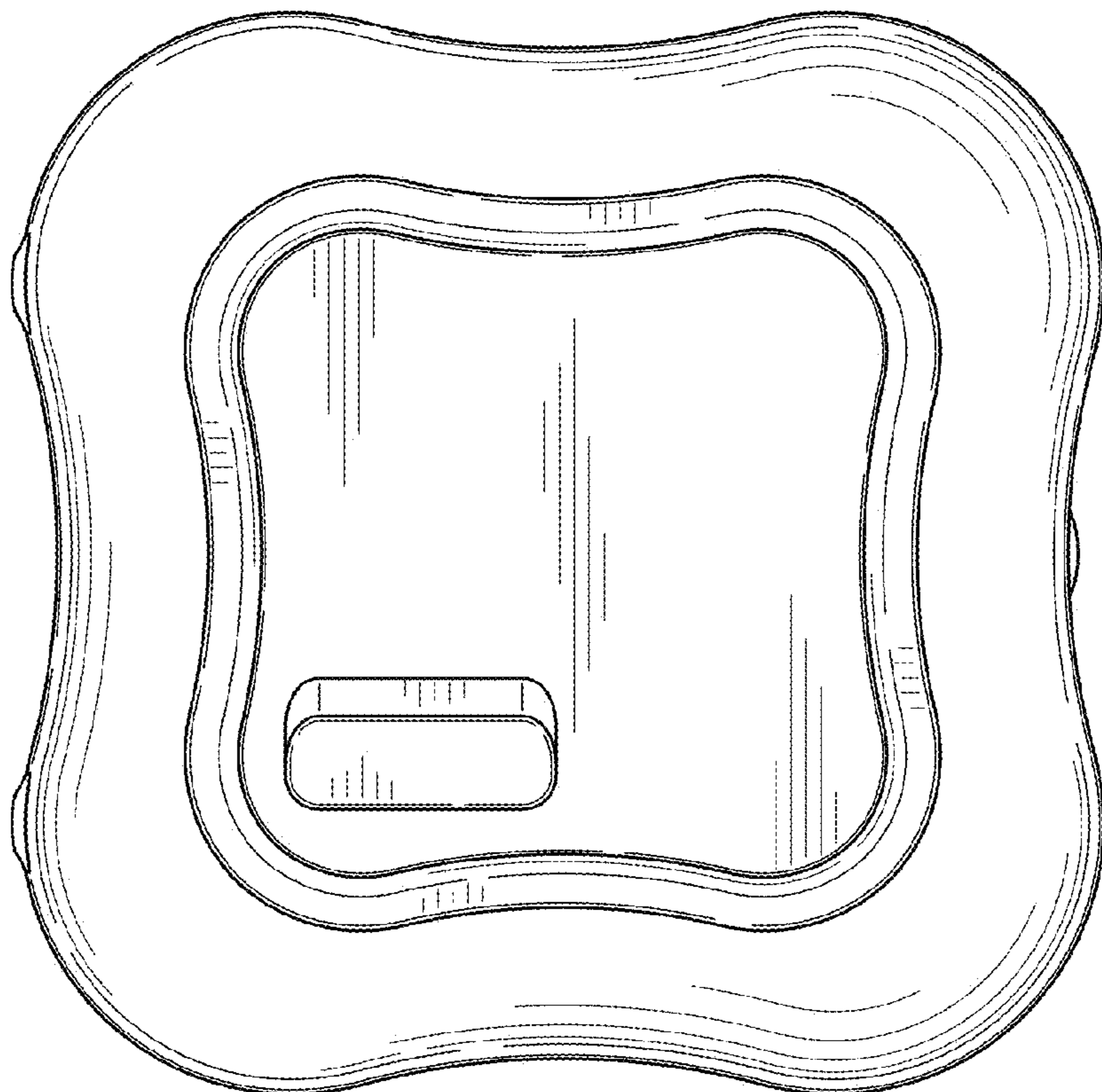


FIG. 7

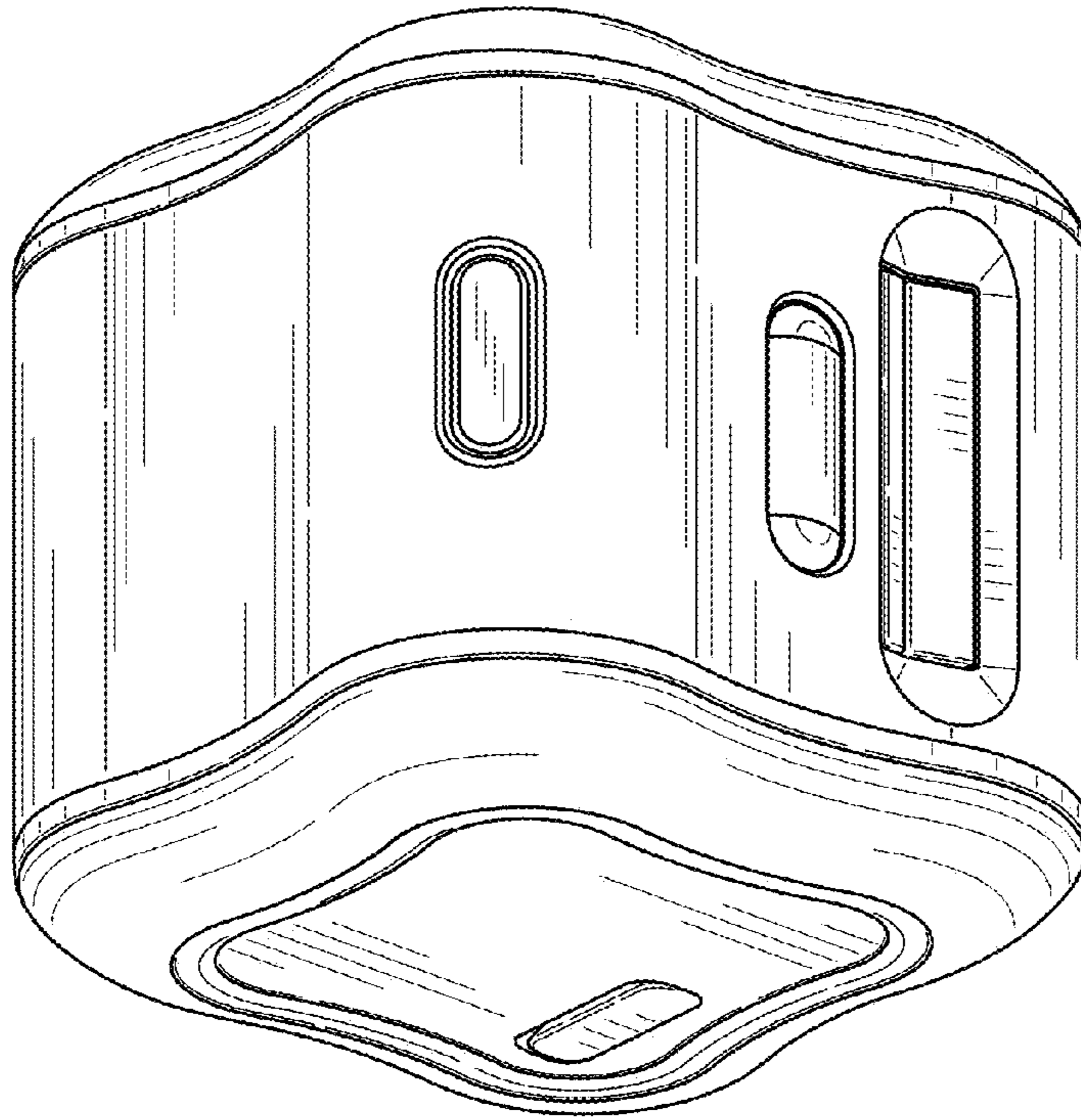


FIG. 8

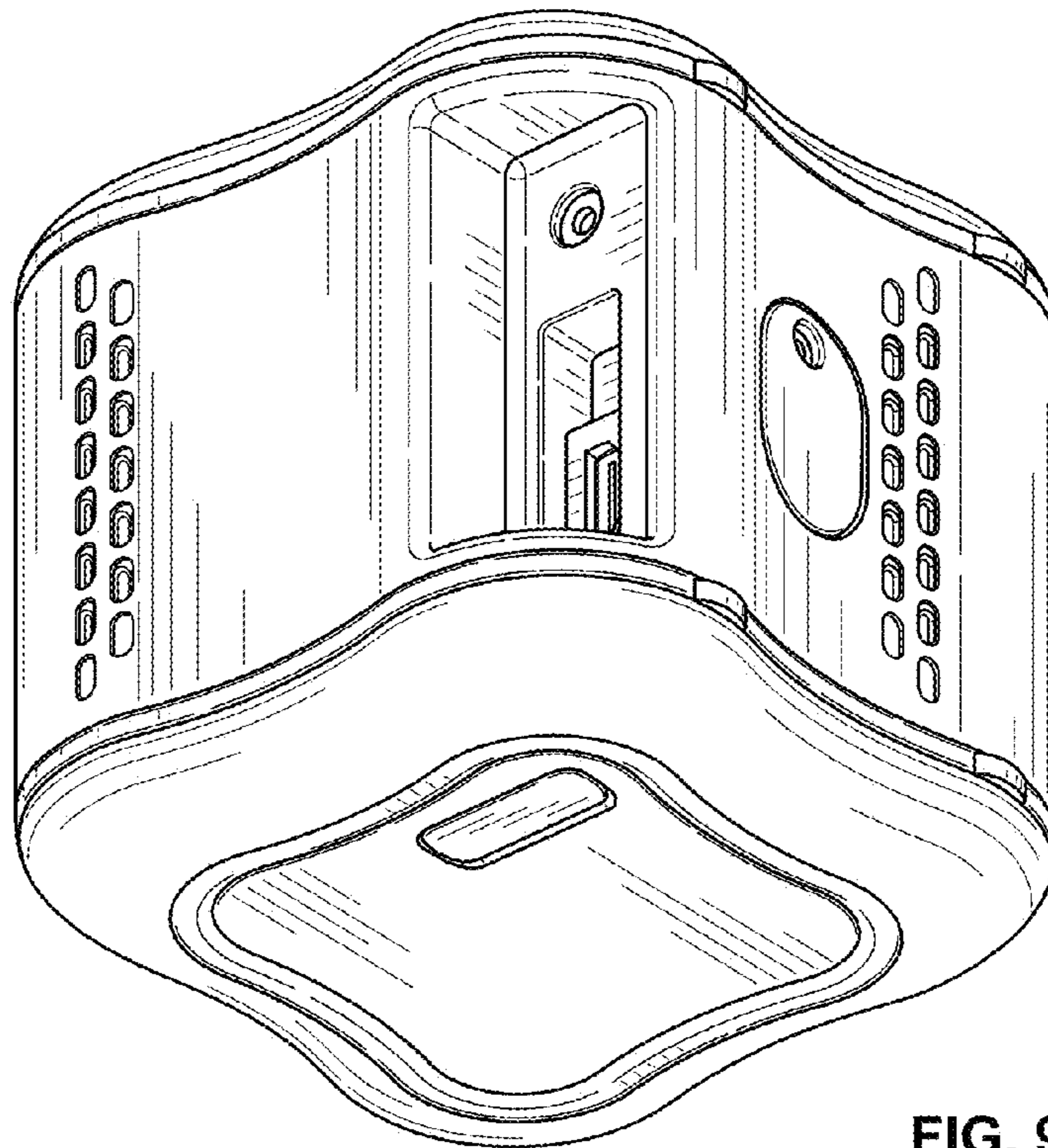


FIG. 9

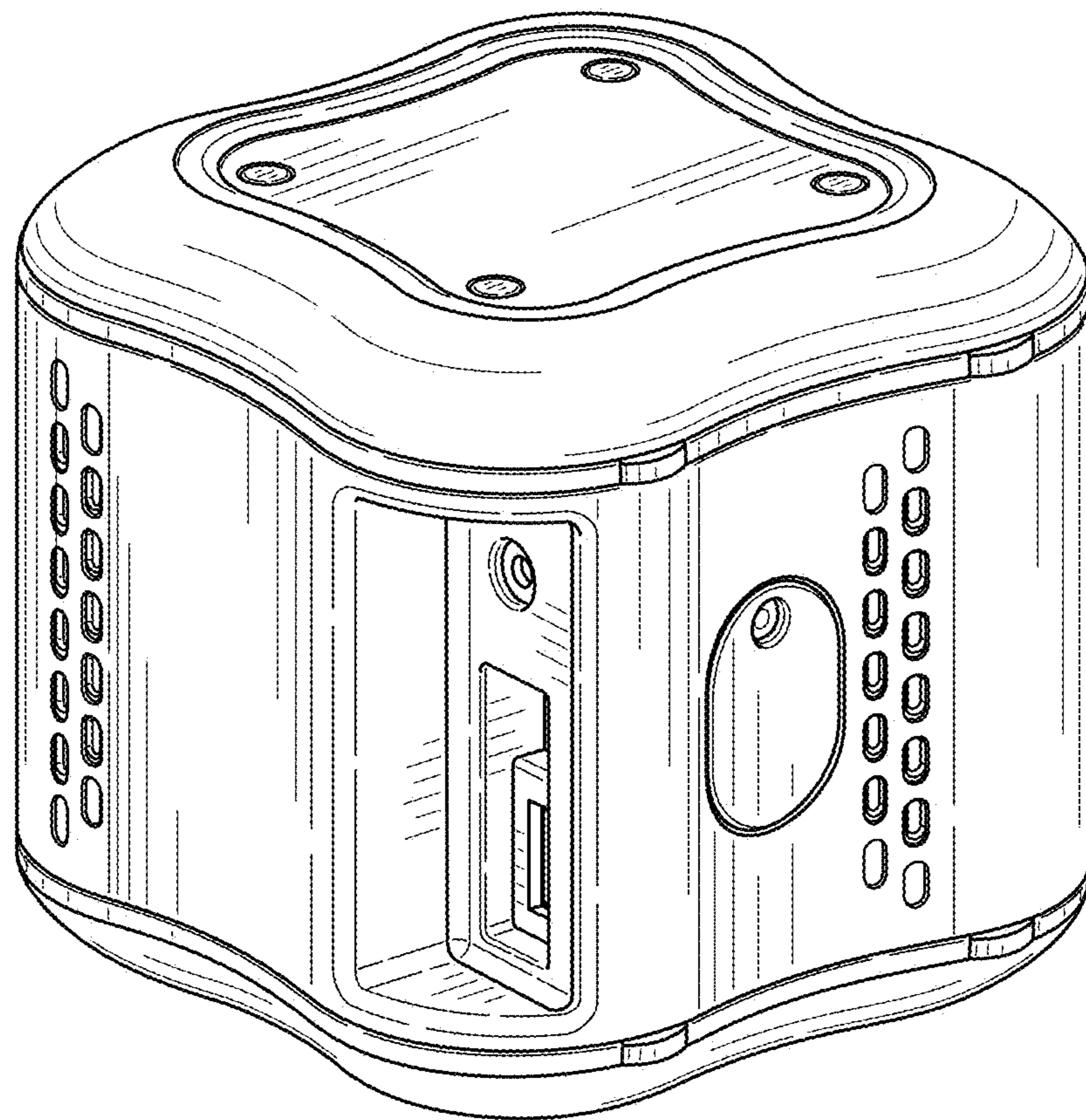


FIG. 10