

US00D762727S

(12) **United States Design Patent**  
**Tursi et al.**

(10) **Patent No.:** **US D762,727 S**

(45) **Date of Patent:** **\*\* Aug. 2, 2016**

(54) **DISPLAY SCREEN WITH ICON**  
(71) Applicant: **Microsoft Corporation**, Redmond, WA (US)  
(72) Inventors: **Alex Anthony Tursi**, Seattle, WA (US);  
**Ramiro Torres**, Seattle, WA (US);  
**David Hose**, Redmond, WA (US);  
**Robert Massa**, Redmond, WA (US);  
**Alex Malkiewicz**, Redmond, WA (US);  
**Mike Lajoie**, Redmond, WA (US)

D653,262 S \* 1/2012 O'Donnell ..... D14/492  
D653,673 S \* 2/2012 Bechtold ..... D14/492  
D667,447 S \* 9/2012 Phelan ..... D14/492  
D667,448 S 9/2012 Phelan  
D687,859 S \* 8/2013 Oda ..... D14/492  
D700,209 S 2/2014 Tanghe et al.  
D710,882 S \* 8/2014 Francisco ..... D14/489  
D742,913 S \* 11/2015 Torres ..... D14/489  
D750,106 S \* 2/2016 Capela ..... D14/485  
2006/0287110 A1\* 12/2006 Klitsner ..... A63F 13/10  
463/44  
2011/0137974 A1\* 6/2011 Momchilov ..... G06F 9/54  
709/202

(73) Assignee: **Microsoft Corporation**, Redmond, WA (US)

(\*\*) Term: **14 Years**

(21) Appl. No.: **29/513,275**

(22) Filed: **Dec. 30, 2014**

(51) **LOC (10) Cl.** ..... **14-04**

(52) **U.S. Cl.**  
USPC ..... **D14/492**

(58) **Field of Classification Search**  
USPC ..... D14/485-495; D19/6-8; D20/11,  
D20/22-32, 34-38  
CPC ... G06F 3/0481; G06F 3/04817; G06T 13/80;  
G06T 15/02  
See application file for complete search history.

(56) **References Cited**

**U.S. PATENT DOCUMENTS**

D382,553 S \* 8/1997 Thomas ..... D14/489  
D526,330 S 8/2006 O'Donnell et al.  
D536,003 S \* 1/2007 Gusmorino ..... D14/492  
D540,812 S 4/2007 Gusmorino et al.  
D549,234 S 8/2007 O'Donnell et al.  
D629,009 S 12/2010 O'Donnell et al.  
D642,591 S 8/2011 O'Donnell et al.  
D644,657 S \* 9/2011 Maitlen ..... D14/492  
D645,471 S \* 9/2011 Gardner ..... D14/492

**OTHER PUBLICATIONS**

Waqas, Ali, Download and Install Windows 7 MIUI Theme for Android, posted at Addictive Tips, posting date Jun. 8, 2011. [online], [site visited Mar. 2, 2016]. Available from Internet, <URL: http://www.addictivetips.com/mobile/download-and-install-windows-7-miui-theme-for-android/>.\*

(Continued)

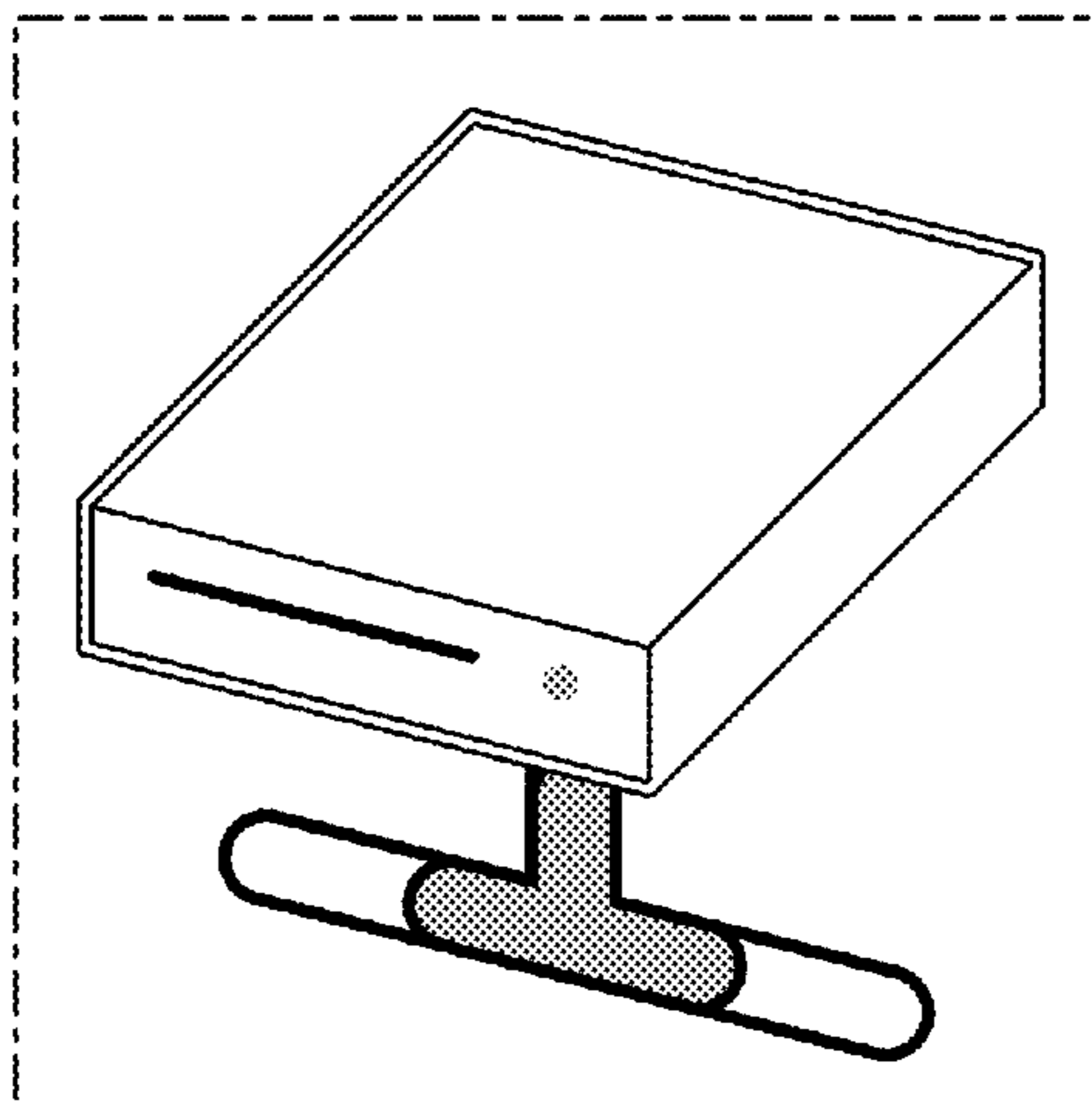
*Primary Examiner* — Karen E Kearney  
*Assistant Examiner* — Kathleen Jones  
(74) *Attorney, Agent, or Firm* — Banner & Witcoff, Ltd.

(57) **CLAIM**  
The ornamental design for a display screen with icon, as shown and described.

**DESCRIPTION**

FIG. 1 is a front view of a display screen with icon showing the icon enlarged and separate for clarity; and, FIG. 2 is a front view of a display screen with icon showing the new design. The even-length broken line showing of the remainder of the display screen is for environmental purposes only and forms no part of the claimed design. The uneven-length broken line in FIG. 1 forms the boundary of the region shown in FIG. 2, and forms no part of the claimed design.

**1 Claim, 2 Drawing Sheets**



(56)

**References Cited**

OTHER PUBLICATIONS

dtafalonso, ModernXP 45 Network Drive Icon, posted at IconArchive, posting date Oct. 8, 2014. [online], [site visited Mar. 3, 2016]. Available from Internet, <URL: <http://static.iconarchive.com/show/modern-xp-icons-by-dtafalonso/ModernXP-45-Network-Drive-icon.html>>.\*

webdesignerdepot.com, Network Drive Icons, posted at FindIcons, posting date Aug. 23, 2010. [online], [site visited Mar. 3, 2016].

Available from Internet, <URL: [http://findicons.com/icon/440810/network\\_drive](http://findicons.com/icon/440810/network_drive)>.\*

TpdkDesign.net, Network Drive Icon, posted at IconArchive, posting date Jul. 5, 2006. [online], [site visited Mar. 3, 2016]. Available from Internet, <URL: <http://www.iconarchive.com/show/refresh-cl-icons-by-tpdkdesign.net/Network-Drive-icon.html>>.\*

Network Drive 2 Icon, posted at Icons-Land, posting date Jan. 22, 2013. [online], [site visited Mar. 3, 2016]. Available from Internet, <URL: <http://individual.icons-land.com/icon/1974-network-drive-2-icon>>.\*

\* cited by examiner

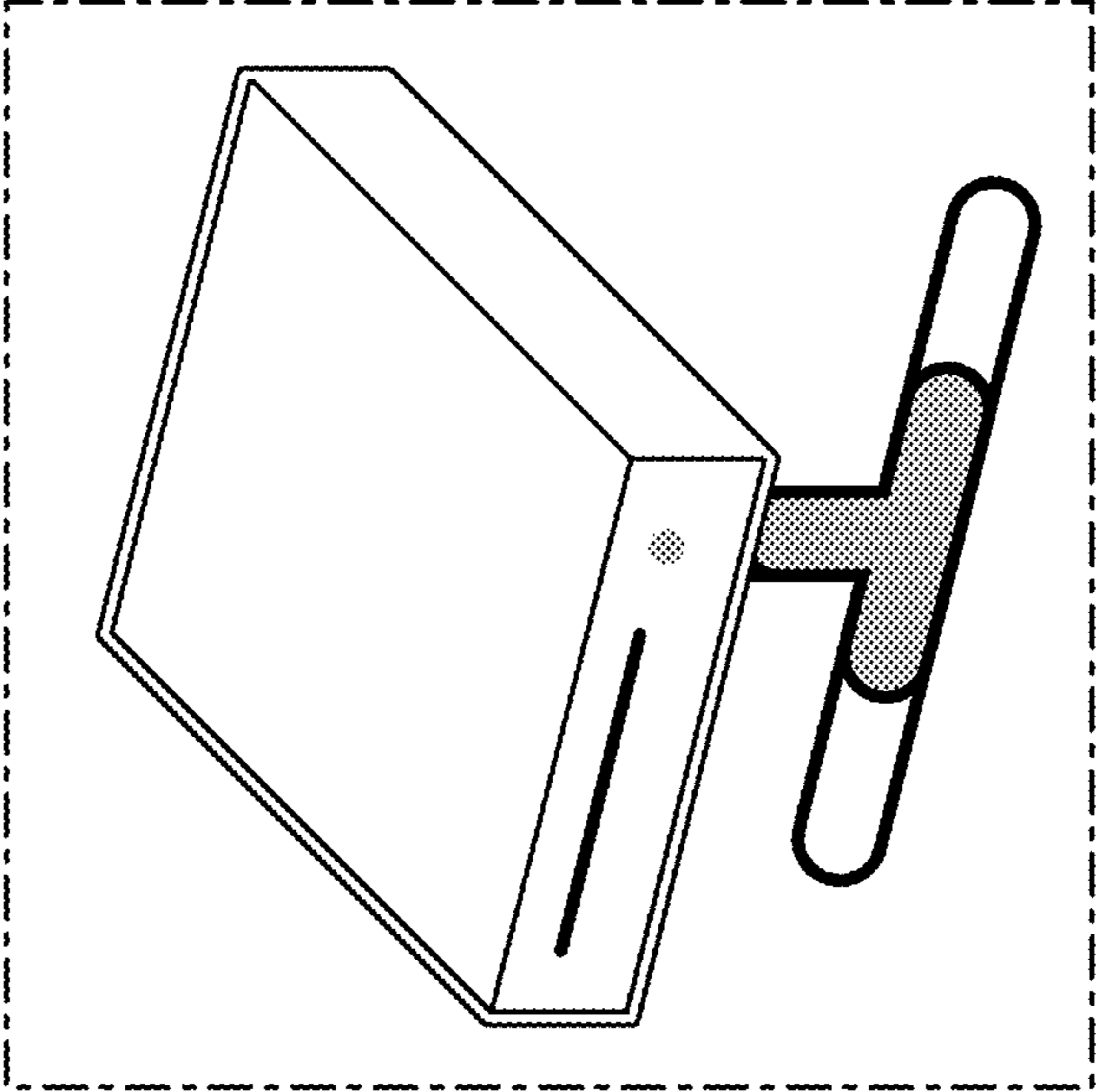


FIG. 1

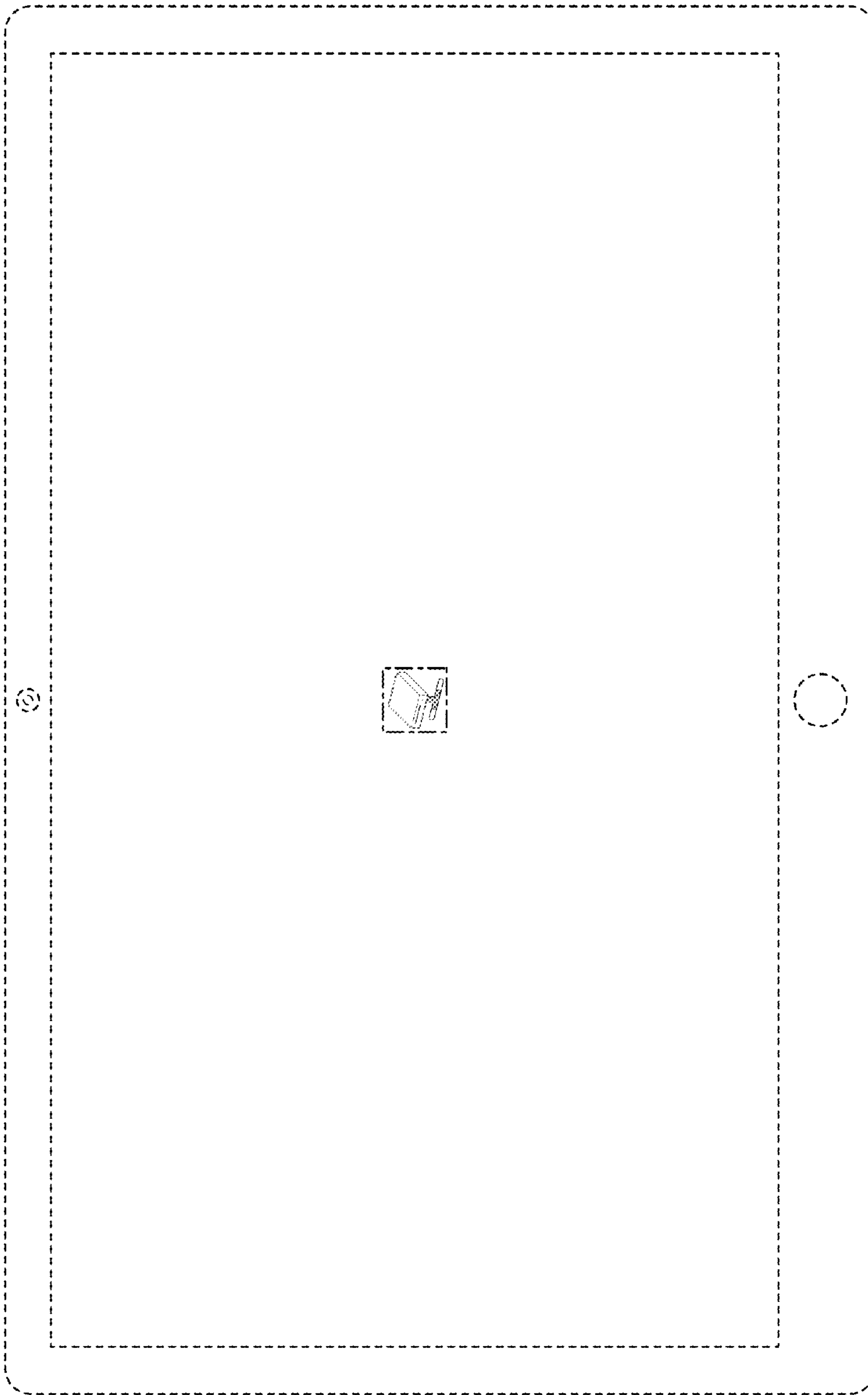


FIG. 2