



US00D762724S

(12) **United States Design Patent**
Lee

(10) **Patent No.:** **US D762,724 S**
(45) **Date of Patent:** **** Aug. 2, 2016**

(54) **DISPLAY SCREEN OR PORTION THEREOF WITH ICON**

(71) Applicant: **Samsung Electronics Co., Ltd.**,
Suwon-si, Gyeonggi-do (KR)

(72) Inventor: **Seung Myung Lee**, Seoul (KR)

(73) Assignee: **SAMSUNG ELECTRONICS CO., LTD.** (KR)

(**) Term: **14 Years**

(21) Appl. No.: **29/495,736**

(22) Filed: **Jul. 3, 2014**

(30) **Foreign Application Priority Data**

Jan. 3, 2014 (KR) 30-2014-0000468

(51) **LOC (10) Cl.** **14-04**

(52) **U.S. Cl.**
USPC **D14/492**

(58) **Field of Classification Search**
USPC D14/485-495; D20/11, 15, 31, 32,
D20/22-28; 715/700-867, 961-978
CPC B60H 1/00; G06F 3/0481-3/17; H04L
41/22; H04L 12/282
See application file for complete search history.

(56) **References Cited**

U.S. PATENT DOCUMENTS

D603,415 S * 11/2009 Lin D14/485
D644,243 S * 8/2011 Matas D14/489
D708,195 S * 7/2014 Kavett D14/486
D730,934 S * 6/2015 Nagaoka D14/489
D731,541 S * 6/2015 Lee D14/489

D731,546 S * 6/2015 Zhou D14/491
D732,048 S * 6/2015 Nix D14/485
D746,862 S * 1/2016 Lee D14/492
2012/0102399 A1 * 4/2012 Nicholson G06F 3/016
715/702
2015/0334519 A1 * 11/2015 Gai G06F 3/041
455/41.2

OTHER PUBLICATIONS

Best Buy | Electronics | Mobile Cell Phones, posted on Sep. 13, 2015, © 2016 Best Buy [online], [site visited Jan. 5, 2016]. Available from Internet, <URL: <http://www.bestbuy.com/site/electronics/mobile-cell-phones/abcat0800000.c?id=abcat0800000>>.*
Threedots-info, posted on Feb. 27, 2013, © 2010-2015 Threedots-info [online], [site visited Jan. 5, 2016]. Available from Internet, <URL: <http://threedots-info.asia/>>.*
IconFinder | Iconsets | Crazy Paparazzi Basic, posted on Jun. 4, 2015, © 2015 [online], [site visited Dec. 1, 2015]. Available from Internet, <URL: https://www.iconfinder.com/icons/571927/grid_market-ing_mobile_objective_phone_project_target_icon#size=128>.*

(Continued)

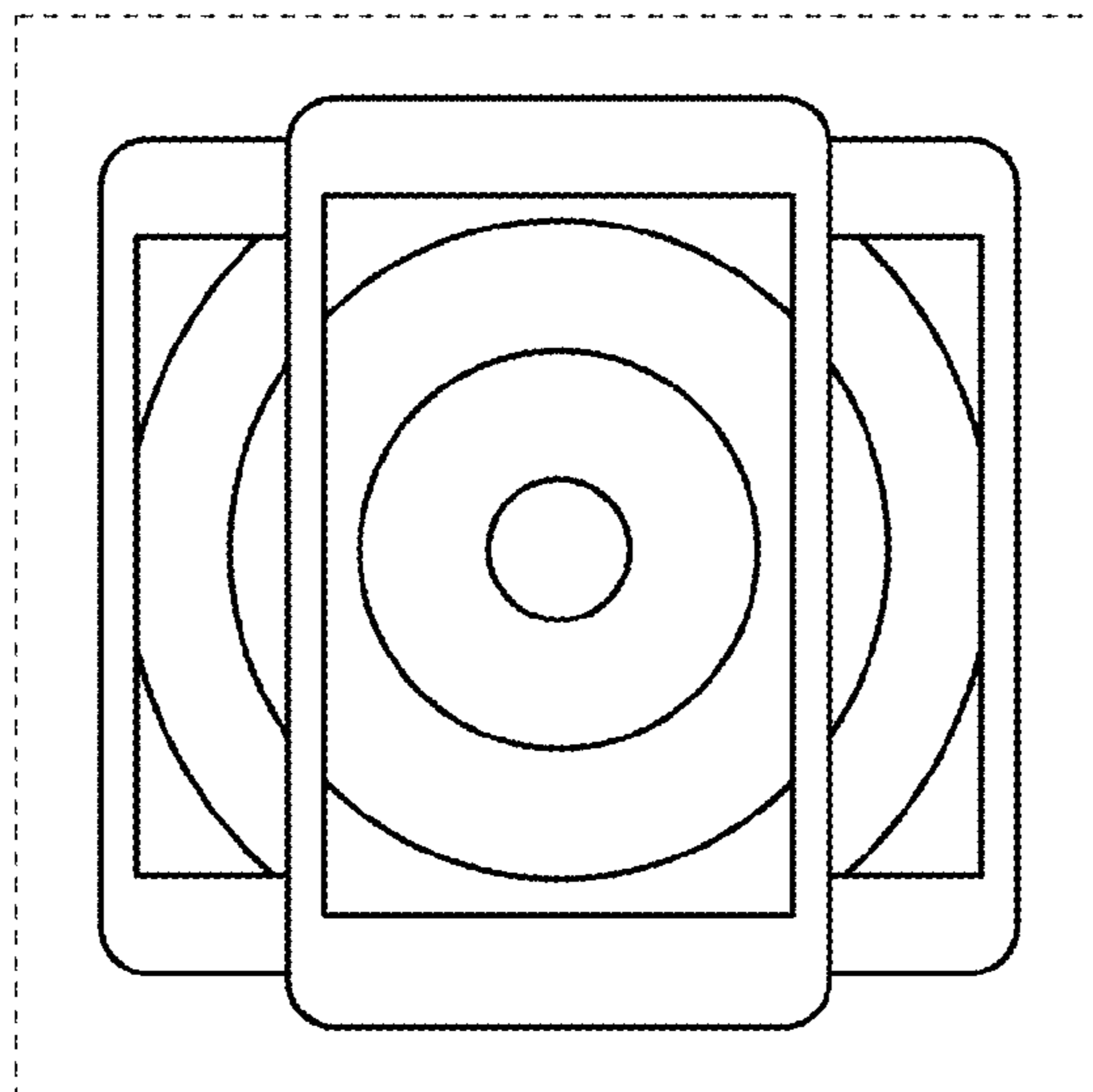
Primary Examiner — Karen E Kearney
Assistant Examiner — Cary M Robinson
(74) *Attorney, Agent, or Firm* — Cantor Colburn LLP

(57) **CLAIM**
I claim, the ornamental design for a display screen or portion thereof with icon, as shown and described.

DESCRIPTION

FIG. 1 is a front view of a display screen or portion thereof with icon showing my new design; and, FIG. 2 is a front view of another embodiment of a display screen or portion thereof with icon showing my new design. The broken lines are for environmental purposes only and form no part of the claimed design.

1 Claim, 2 Drawing Sheets



(56)

References Cited

OTHER PUBLICATIONS

IconFinder | Iconsets Social Messaging Productivity 4, posted on Feb. 18, 2015, © 2015 [online], [site visited Dec. 1, 2015]. Available from Internet, <URL: https://www.iconfinder.com/icons/485192/aim_bullseye_efficiency_goal_marketing_objective_target_icon#size=128>.*

ThisistheBrigade | Work | Target iPhone App, posted on Apr. 22, 2011, no copyright date posted [online], [site visited Jan. 6, 2016].

Available from Internet, <URL: <https://thisisthebrigade.com/work/target-iphone-app/>>.*

* cited by examiner

FIG. 1

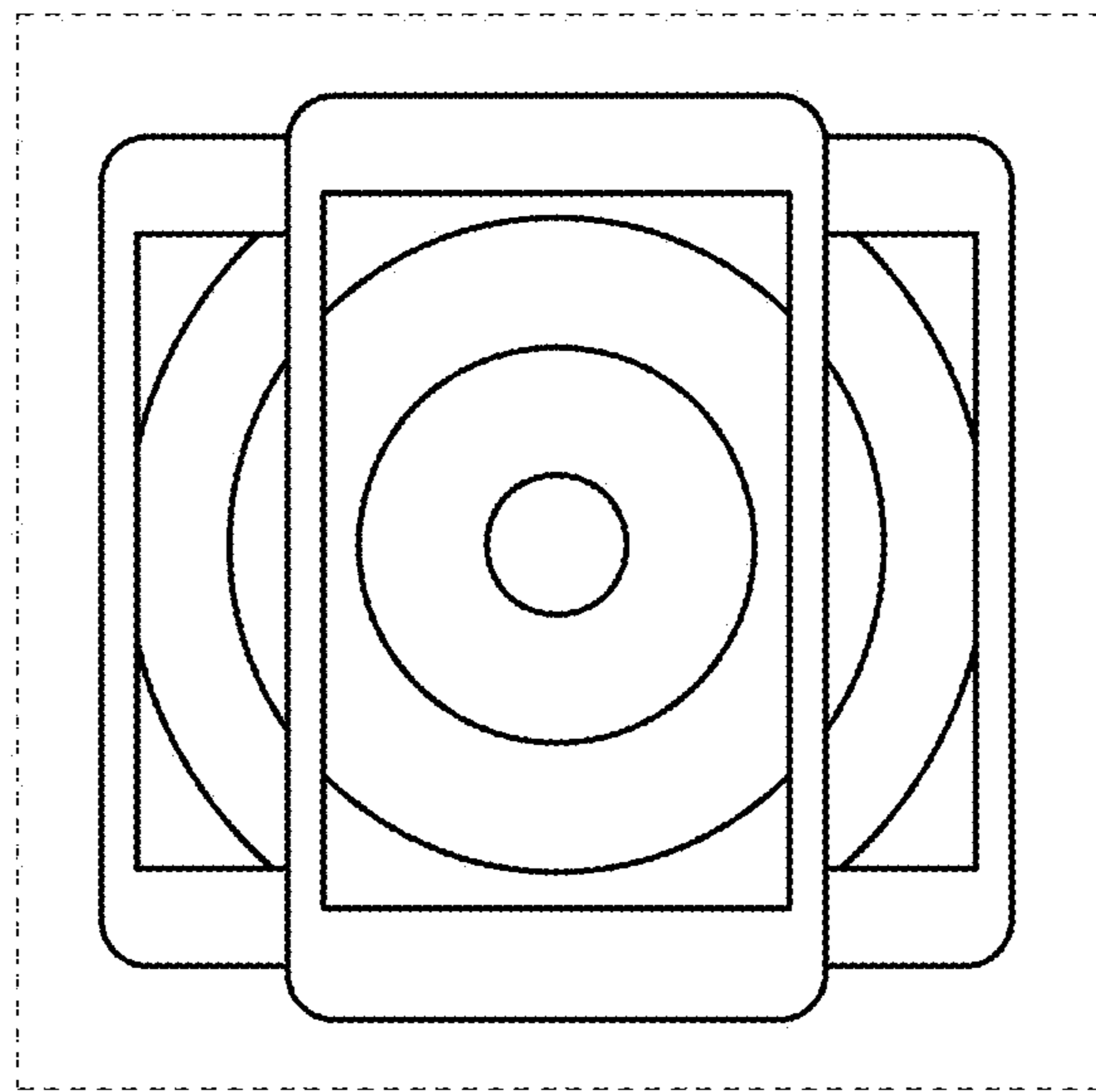


FIG. 2

