



US00D762714S

(12) **United States Design Patent**
Choi et al.

(10) **Patent No.:** **US D762,714 S**

(45) **Date of Patent:** **** Aug. 2, 2016**

(54) **DISPLAY SCREEN WITH ANIMATED GRAPHICAL USER INTERFACE**

(71) Applicant: **Microsoft Corporation**, Redmond, WA (US)

(72) Inventors: **Jiwon Choi**, Redmond, WA (US);
Sergey Kisselev, Redmond, WA (US)

(73) Assignee: **Microsoft Corporation**, Redmond, WA (US)

(**) Term: **14 Years**

(21) Appl. No.: **29/515,117**

(22) Filed: **Jan. 20, 2015**

(51) **LOC (10) Cl.** **14-04**

(52) **U.S. Cl.**
USPC **D14/488**

(58) **Field of Classification Search**
USPC D14/485-495
CPC G06F 3/0482; G06F 3/0481; G06F
17/30572; G06F 2203/04807; H04N
1/00408-1/00437; H04M 1/2477
See application file for complete search history.

(56) **References Cited**

U.S. PATENT DOCUMENTS

D658,200	S	*	4/2012	Gleasant	D14/486
D658,675	S	*	5/2012	Gleasant	D14/488
D664,555	S	*	7/2012	Gleasant	D14/487
D664,972	S	*	8/2012	Gleasant	D14/486
D664,973	S	*	8/2012	Gleasant	D14/486
D664,987	S	*	8/2012	Gleasant	D14/488

(Continued)

OTHER PUBLICATIONS

Action Centre in Windows Phone 8.1, posted by Yash Maheshwari, published Feb. 19, 2014, YouTube [online], [site visited Mar. 14, 2016]. Available from Internet, <URL:https://www.youtube.com/watch?v=s8nmCGCeFmo>.*

(Continued)

Primary Examiner — Cathron Brooks

Assistant Examiner — Andrew Nemeth

(74) *Attorney, Agent, or Firm* — Banner & Witcoff, Ltd.

(57) **CLAIM**

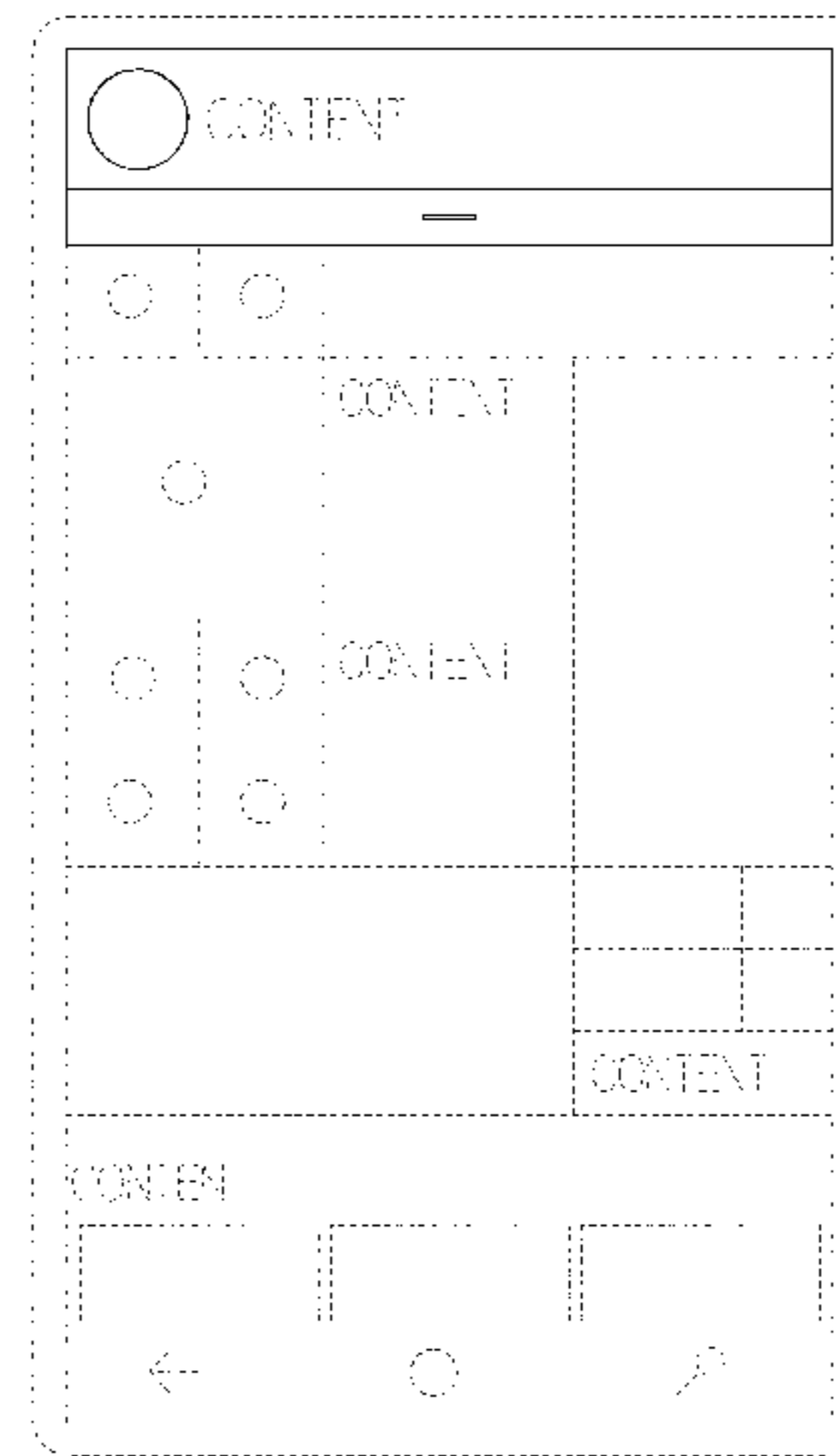
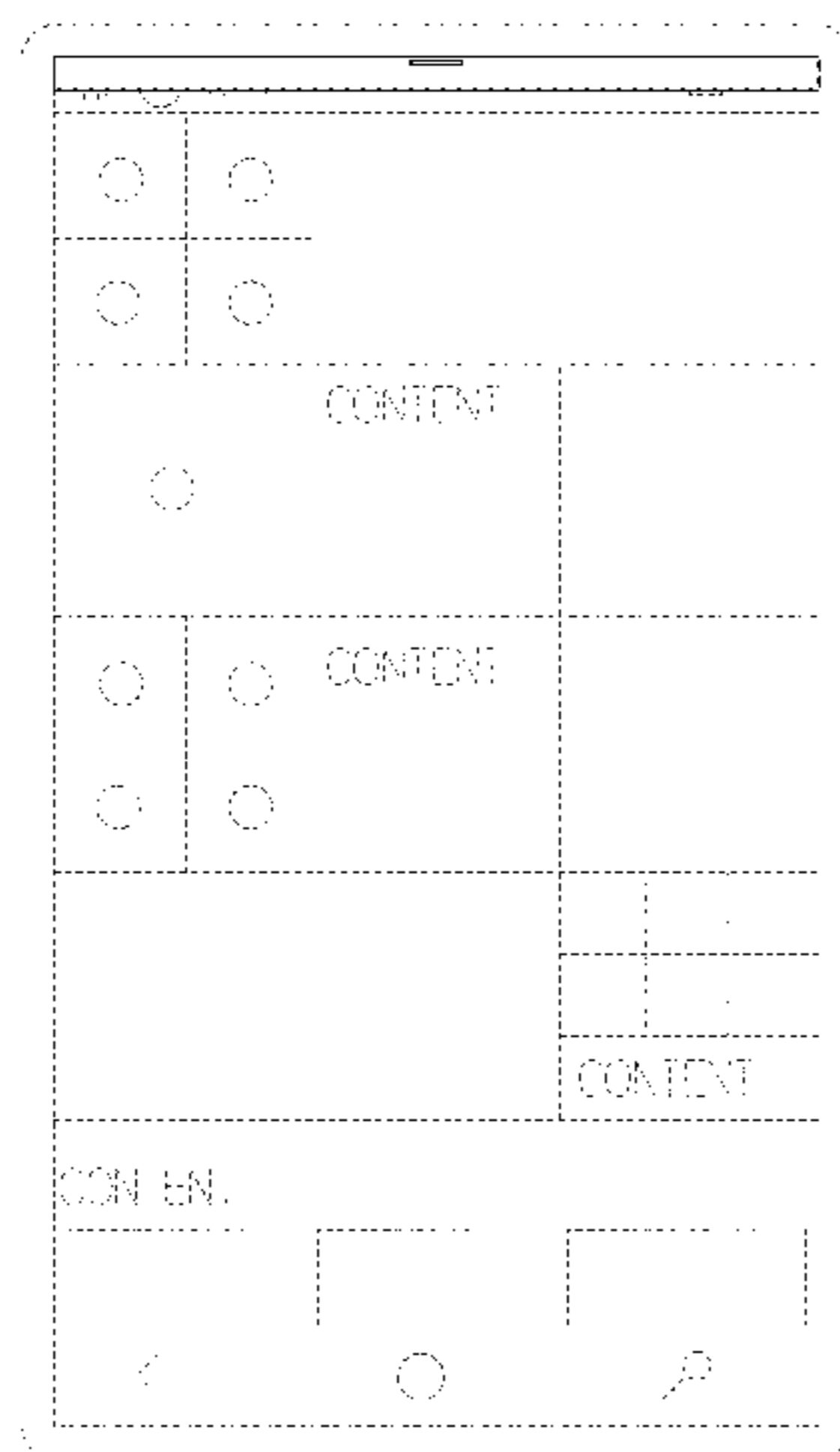
The ornamental design for a display screen with animated graphical user interface, as shown and described.

DESCRIPTION

FIG. 1 is the first image in a sequence for a display screen with animated graphical user interface showing our new design; FIG. 2 is the second image thereof; FIG. 3 is the third image thereof; FIG. 4 is the fourth image thereof; FIG. 5 is the fifth image thereof; FIG. 6 is the sixth image thereof; FIG. 7 is the seventh image thereof; FIG. 8 is the eighth image thereof; FIG. 9 is the ninth image thereof; FIG. 10 is the tenth image thereof; FIG. 11 is the eleventh image thereof; FIG. 12 is the twelfth image thereof; FIG. 13 is the thirteenth image thereof; FIG. 14 is the fourteenth image thereof; FIG. 15 is the fifteenth image thereof; FIG. 16 is the sixteenth image thereof; FIG. 17 is the seventeenth image thereof; FIG. 18 is the eighteenth image thereof; FIG. 19 is the nineteenth image thereof; FIG. 20 is the twentieth image thereof; and, FIG. 21 is the twenty-first image thereof.

The appearance of the animated graphical user interface sequentially transitions between the images shown in FIGS. 1-21. The outermost broken line showing of an electronic device illustrates environmental structure and forms no part of the claimed design. The remainder of the broken lines illustrate a display screen and portions of the graphical user interface and form no part of the claimed design.

1 Claim, 21 Drawing Sheets



(56)

References Cited

U.S. PATENT DOCUMENTS

D673,167	S	12/2012	Woo et al.	
D689,083	S *	9/2013	Pasceri	D14/486
D697,526	S *	1/2014	Bruck	D14/487
D712,919	S *	9/2014	Lee	D14/487
D714,821	S *	10/2014	Chand	D14/487
D724,603	S *	3/2015	Williams	D14/485
D726,744	S *	4/2015	Park	D14/486
D727,339	S *	4/2015	Lee	D14/486
D735,742	S *	8/2015	Lee	D14/486
D740,855	S *	10/2015	Lee	D14/492
D741,885	S *	10/2015	Gomez	D14/486
D746,305	S *	12/2015	Gray	D14/485
2011/0025711	A1 *	2/2011	Doi	G06F 3/0485 345/635
2012/0023524	A1 *	1/2012	Suk	H04N 21/42222 725/43

OTHER PUBLICATIONS

[Cydia Tweak] NCCalendar+-Better Calendar Integration for Notification Center, posted by Dom Esposito, published Jul. 23, 2013, YouTube [online], [site visited Mar. 14, 2016]. Available from Internet, <URL:https://www.youtube.com/watch?v=tgFV68XKfUw>.*

iOS Notification Banner Pull Down to Notification Center in iOS 7 Beta 5, posted by Jeffrey Lewis, published Aug. 6, 2013, YouTube [online], [site visited Mar. 14, 2016]. Available from Internet, <URL:https://www.youtube.com/watch?v=nP0s6ETPxDg>.*

iOS—The mobile OS from a whole new perspective, posted by Kevin Kerr, published Jun. 10, 2013, YouTube [online], [site visited Mar. 14, 2016]. Available from the Internet, <URL:https://www.youtube.com/watch?v=VB6VXPFnIYY>.*

* cited by examiner

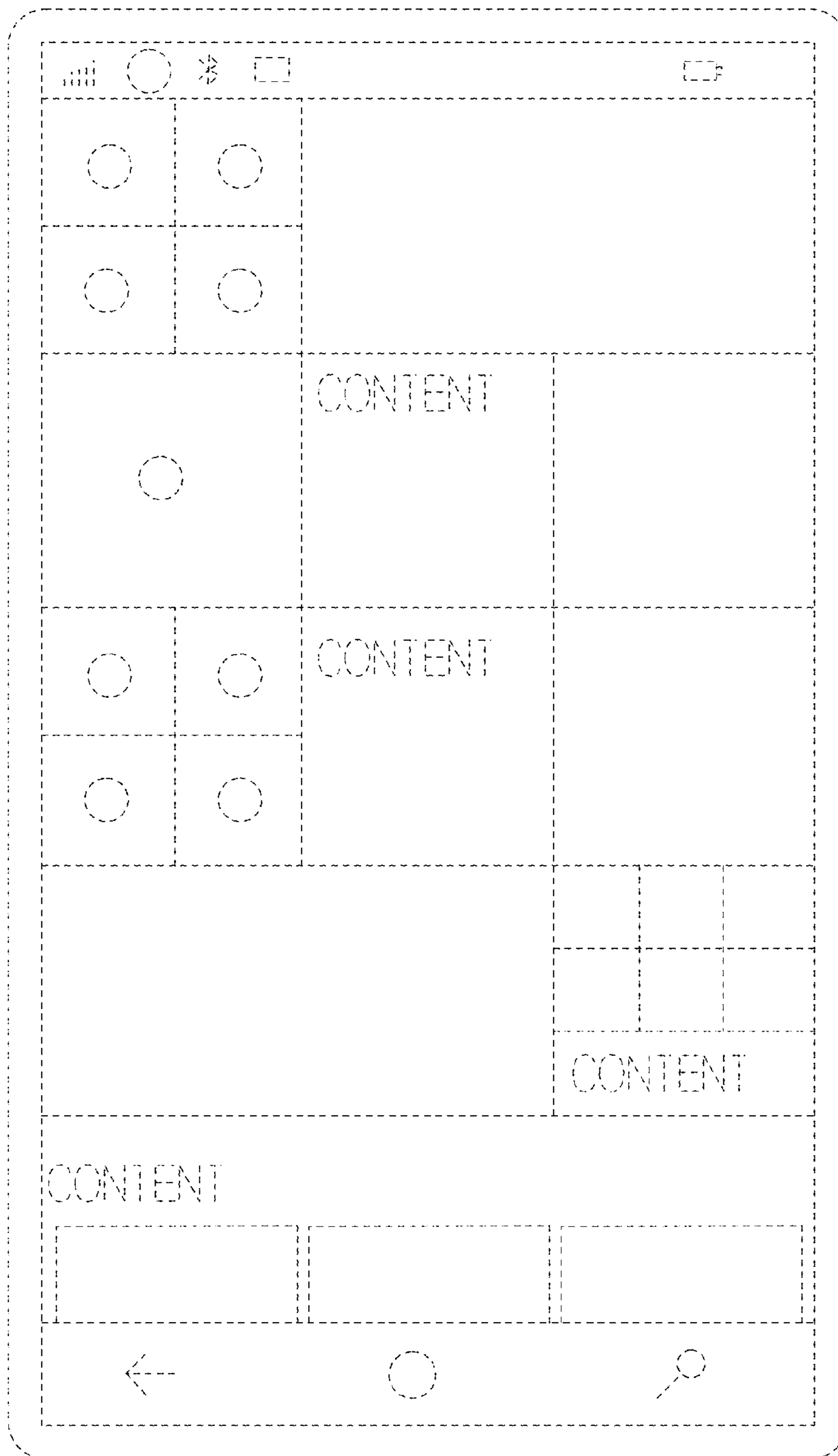


FIG. 1

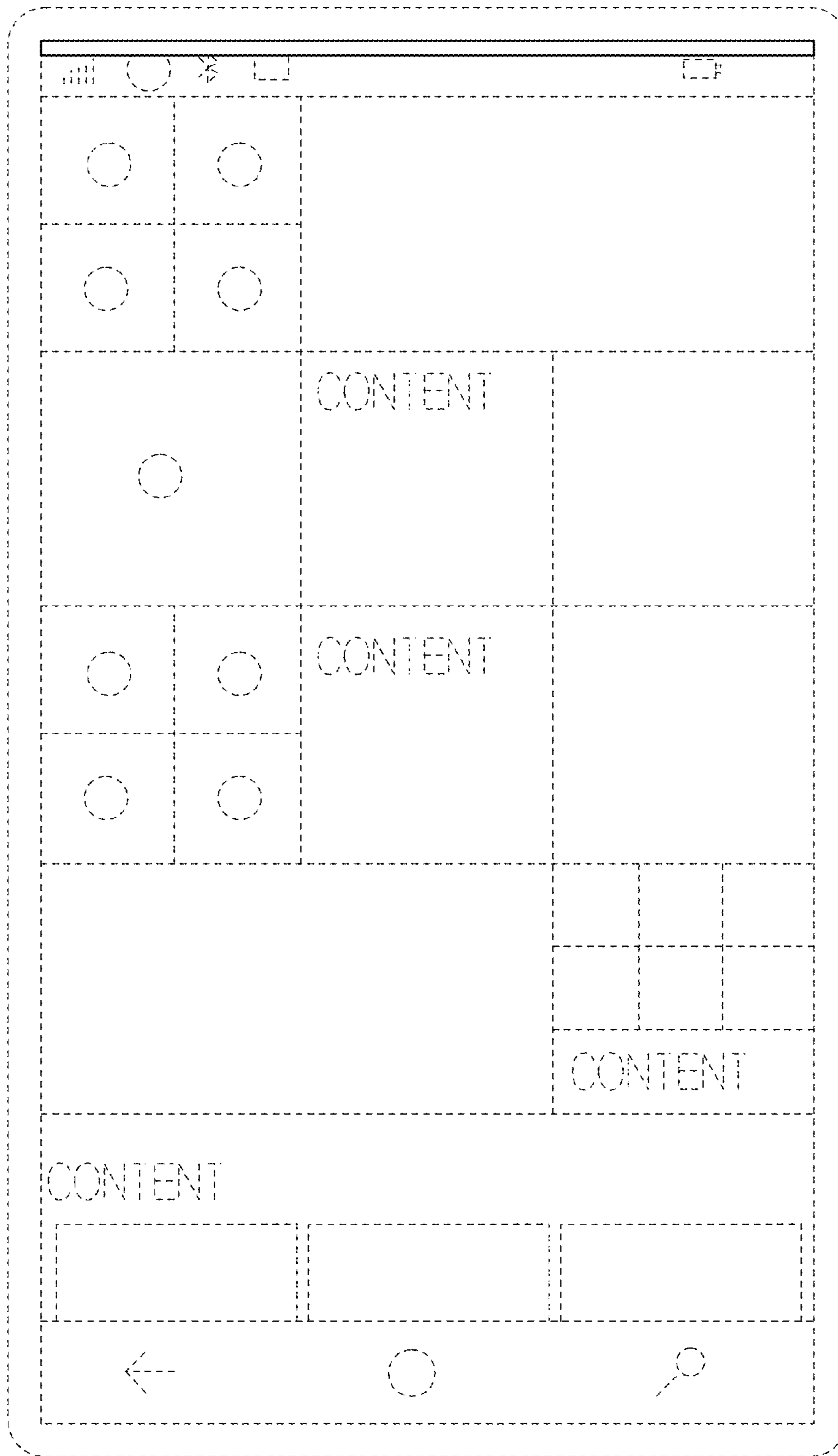


FIG. 2

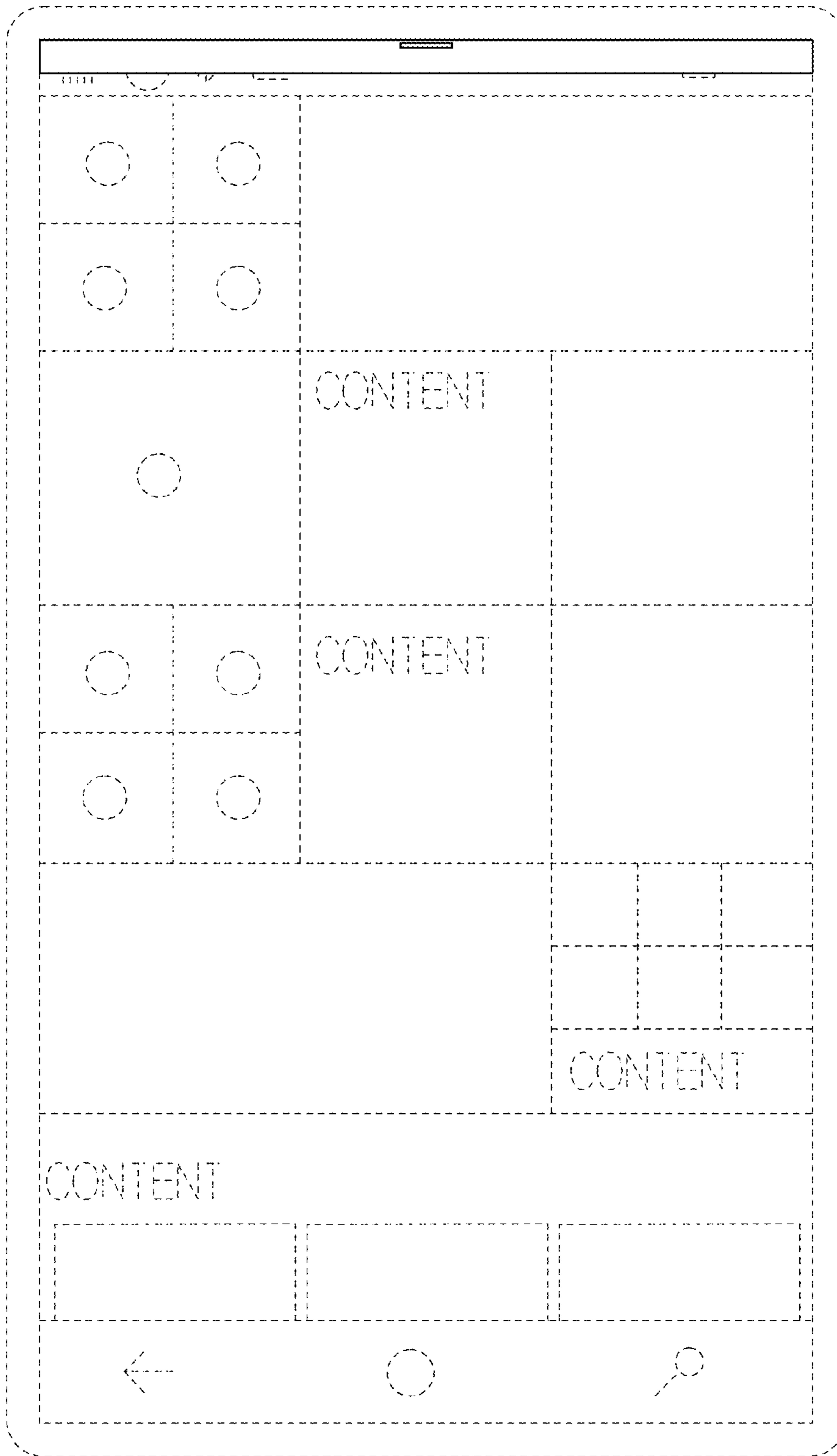


FIG. 3

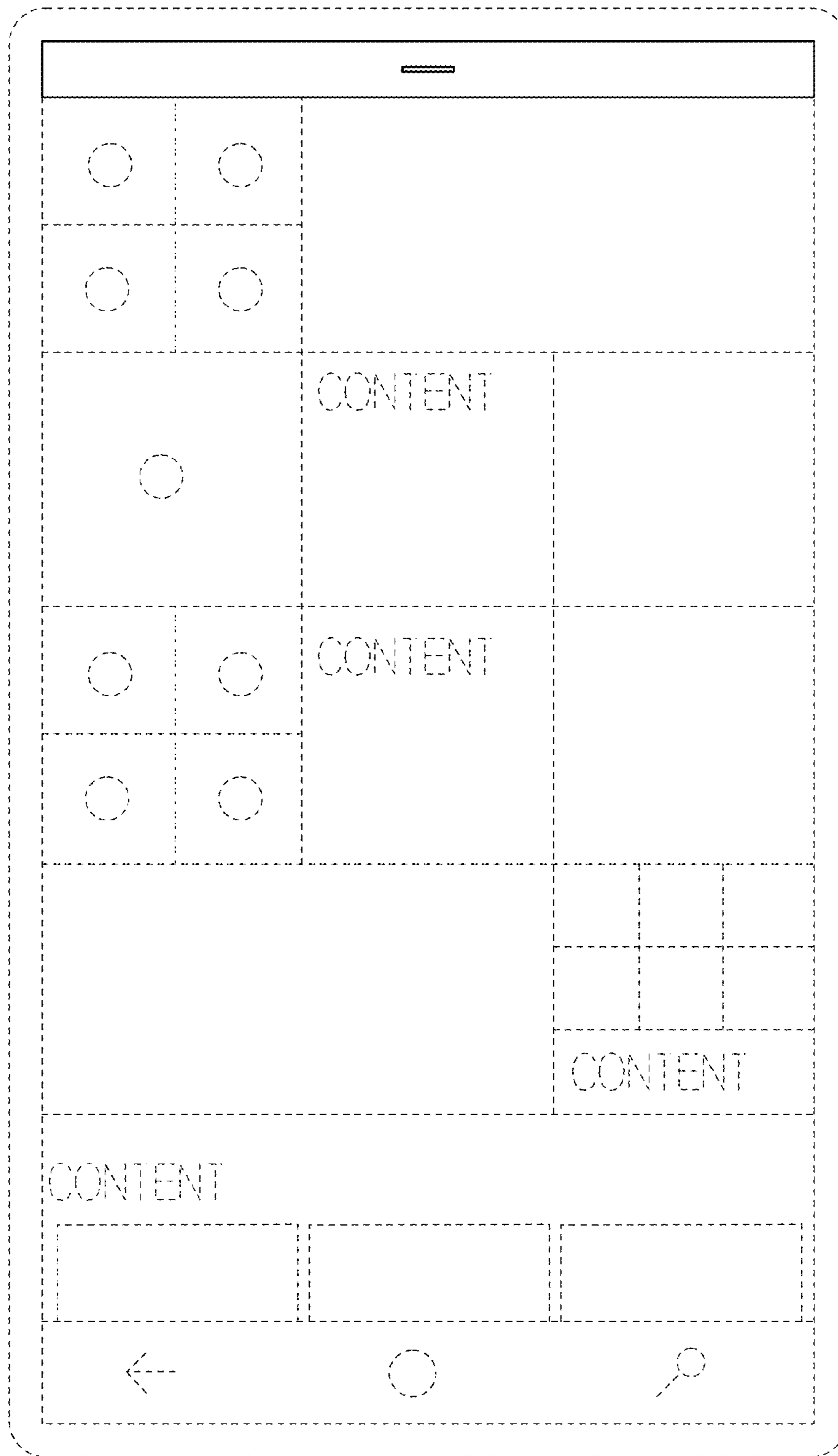


FIG. 4

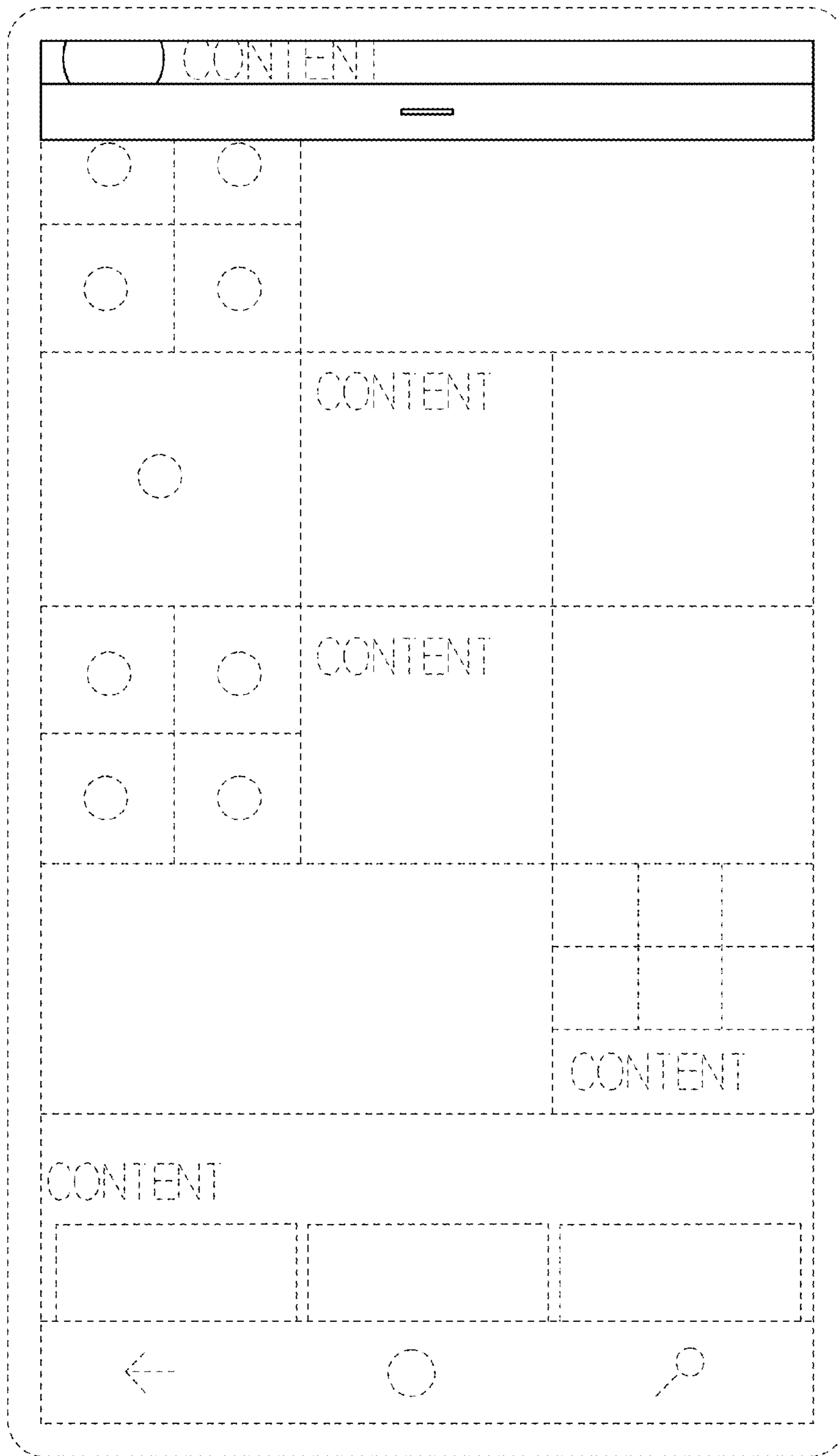


FIG. 5

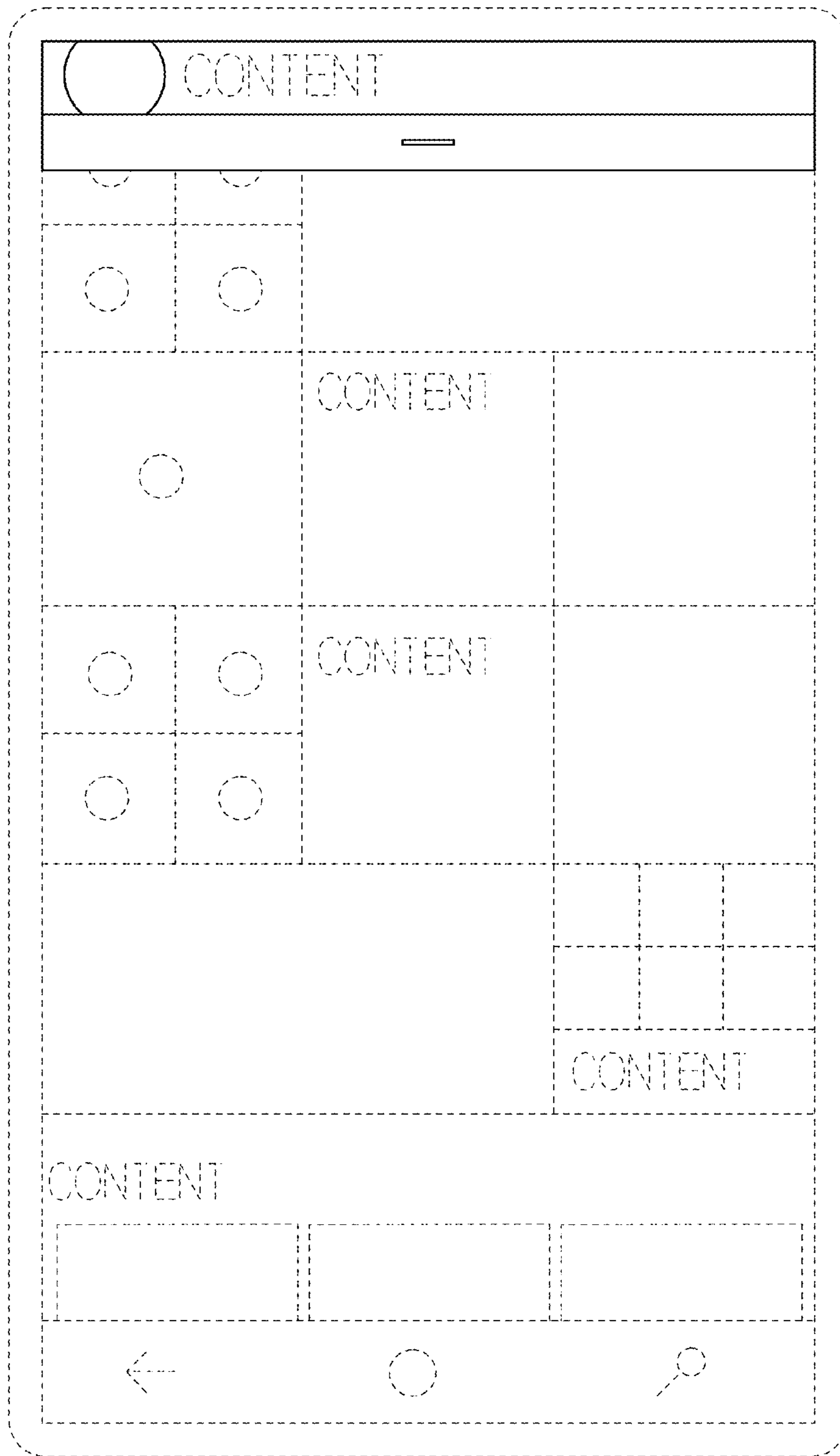


FIG. 6

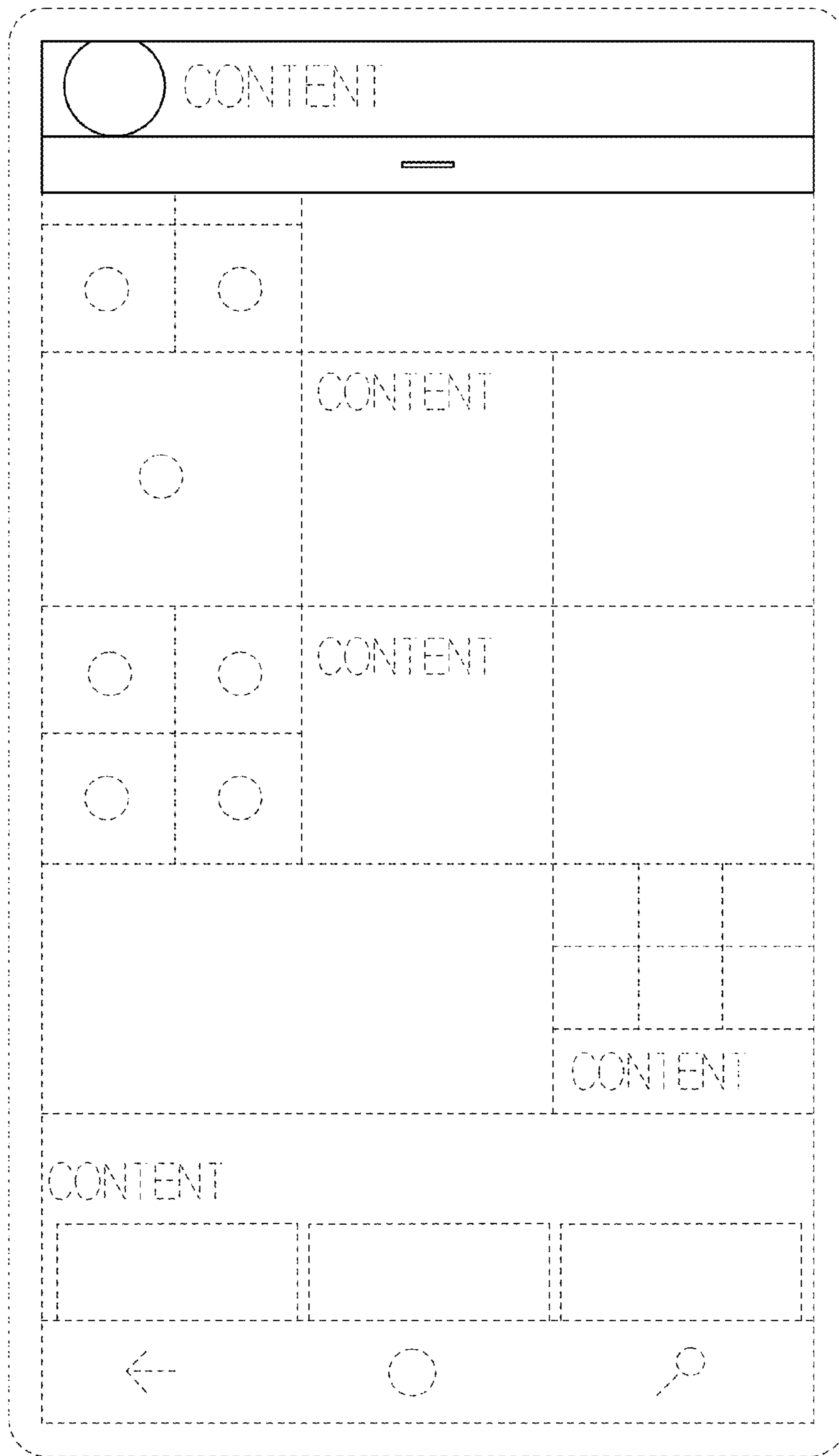


FIG. 7

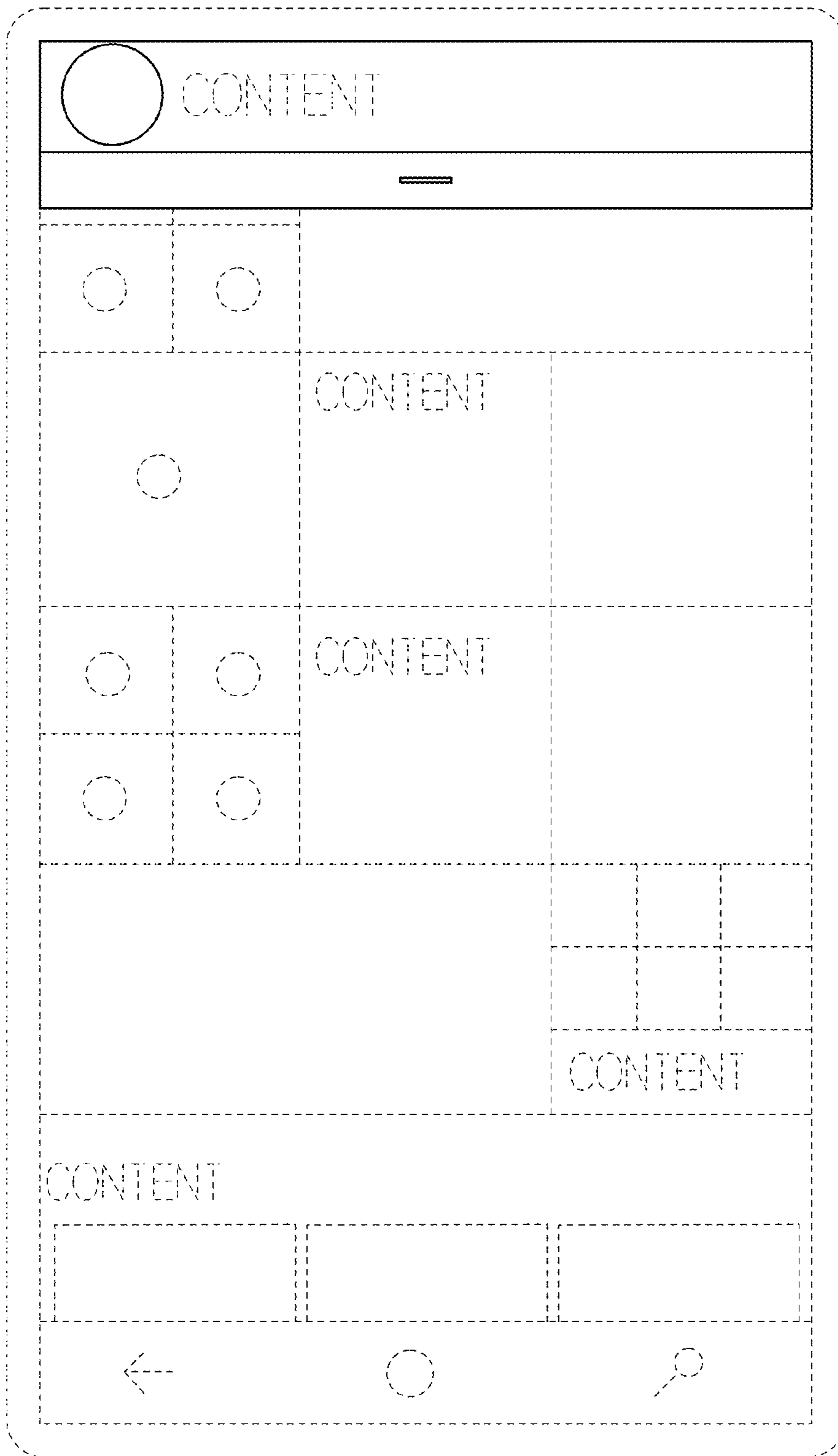


FIG. 8

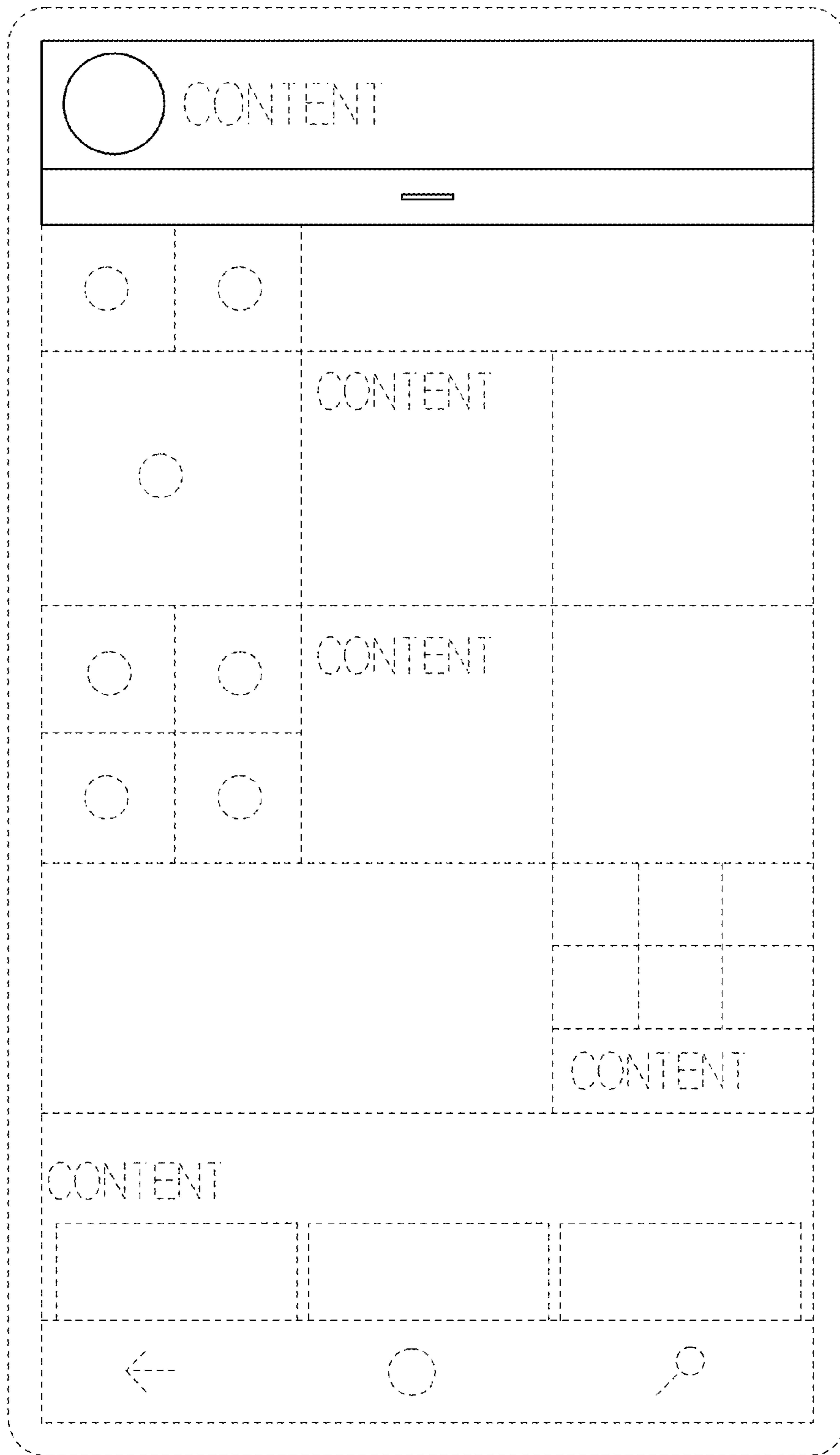


FIG. 9

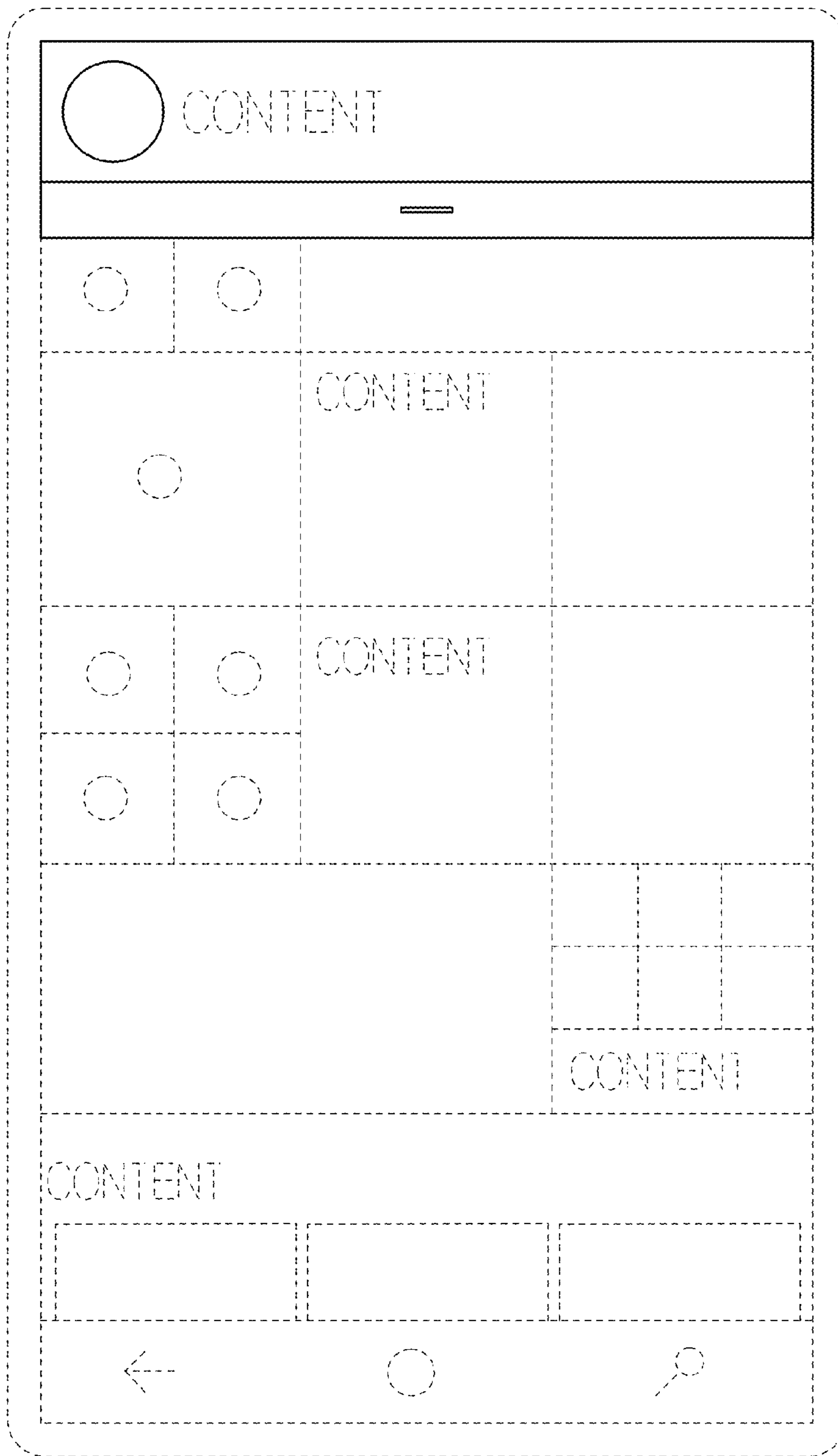


FIG. 10

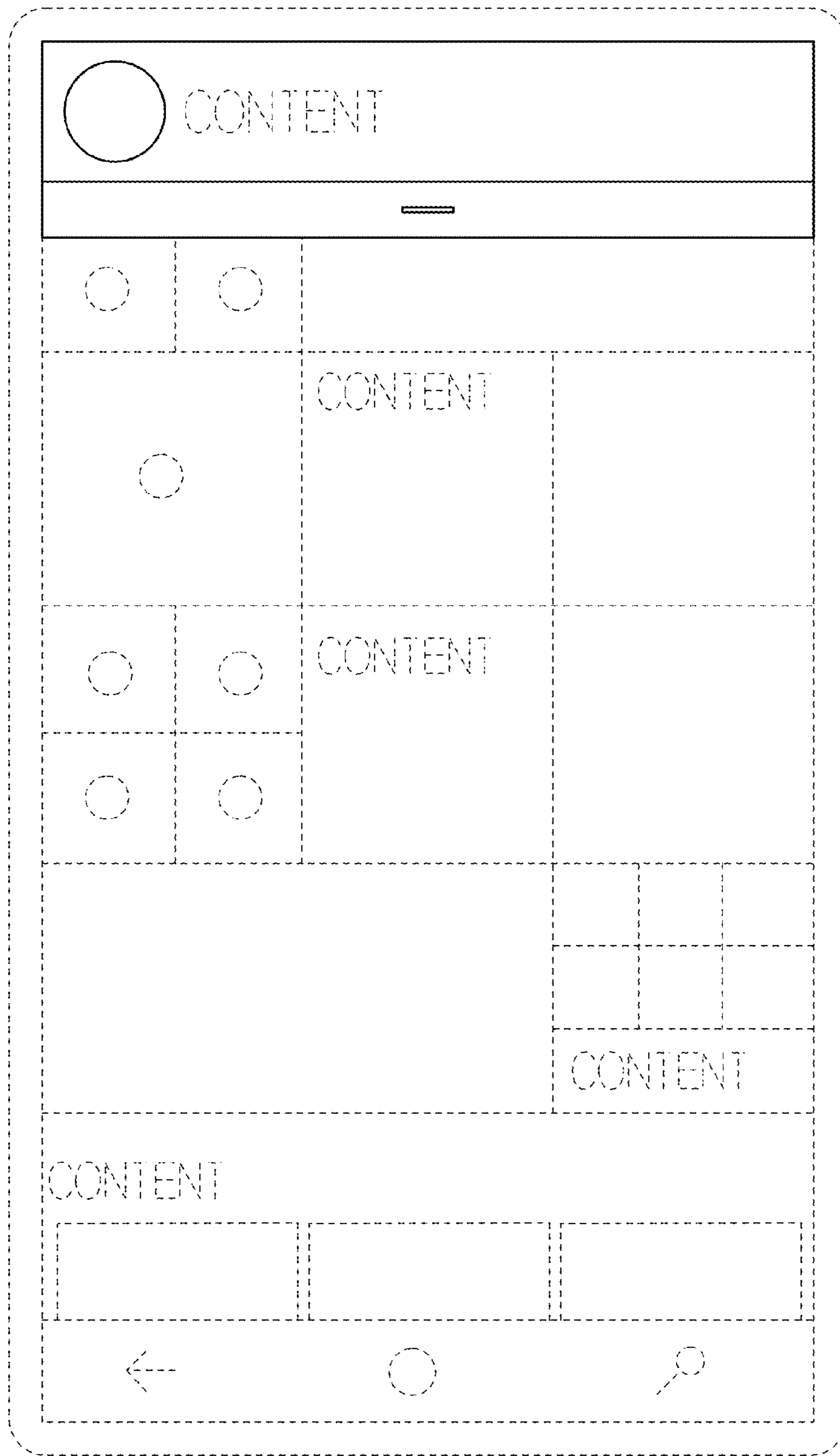


FIG. 11

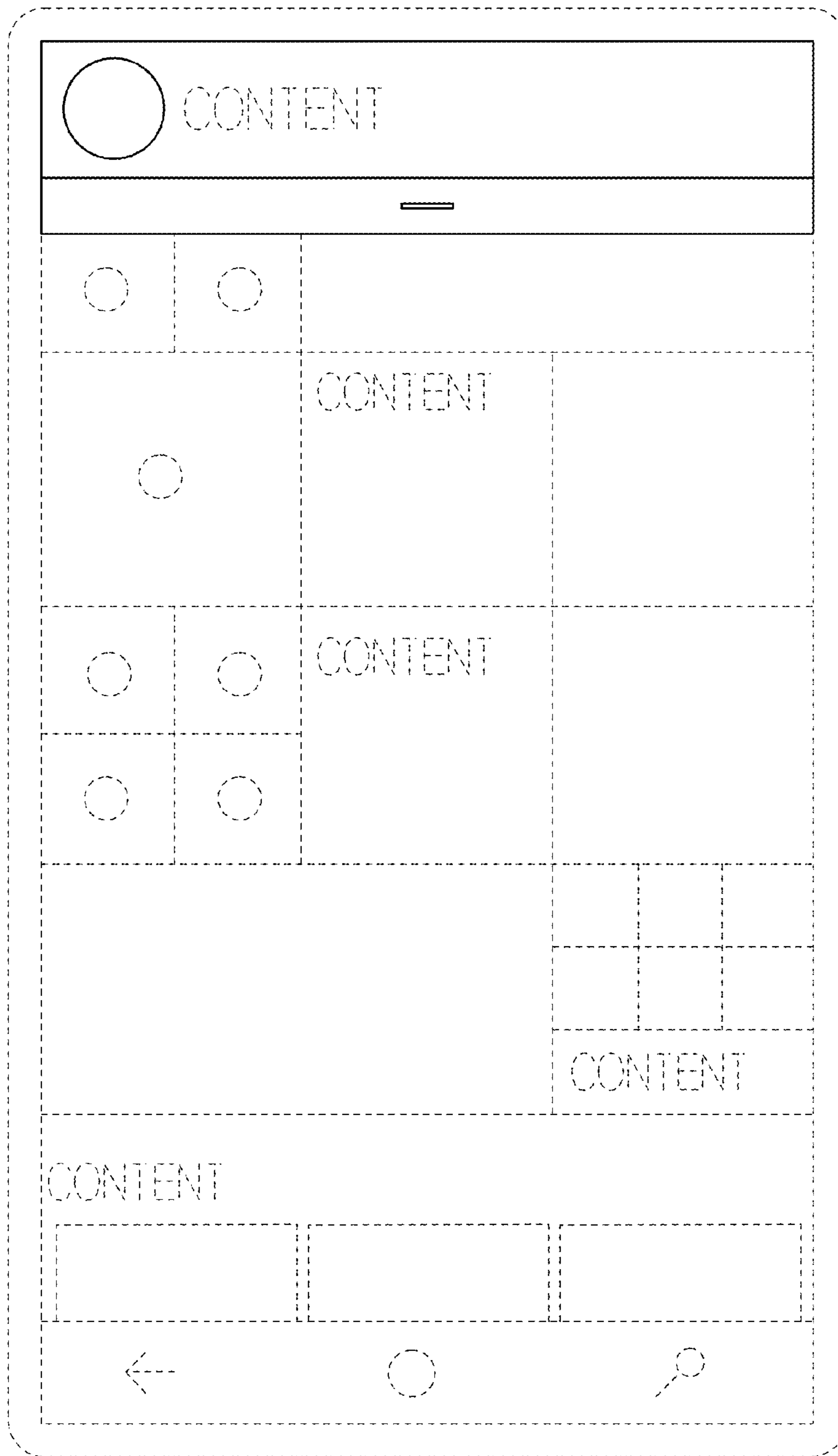


FIG. 12

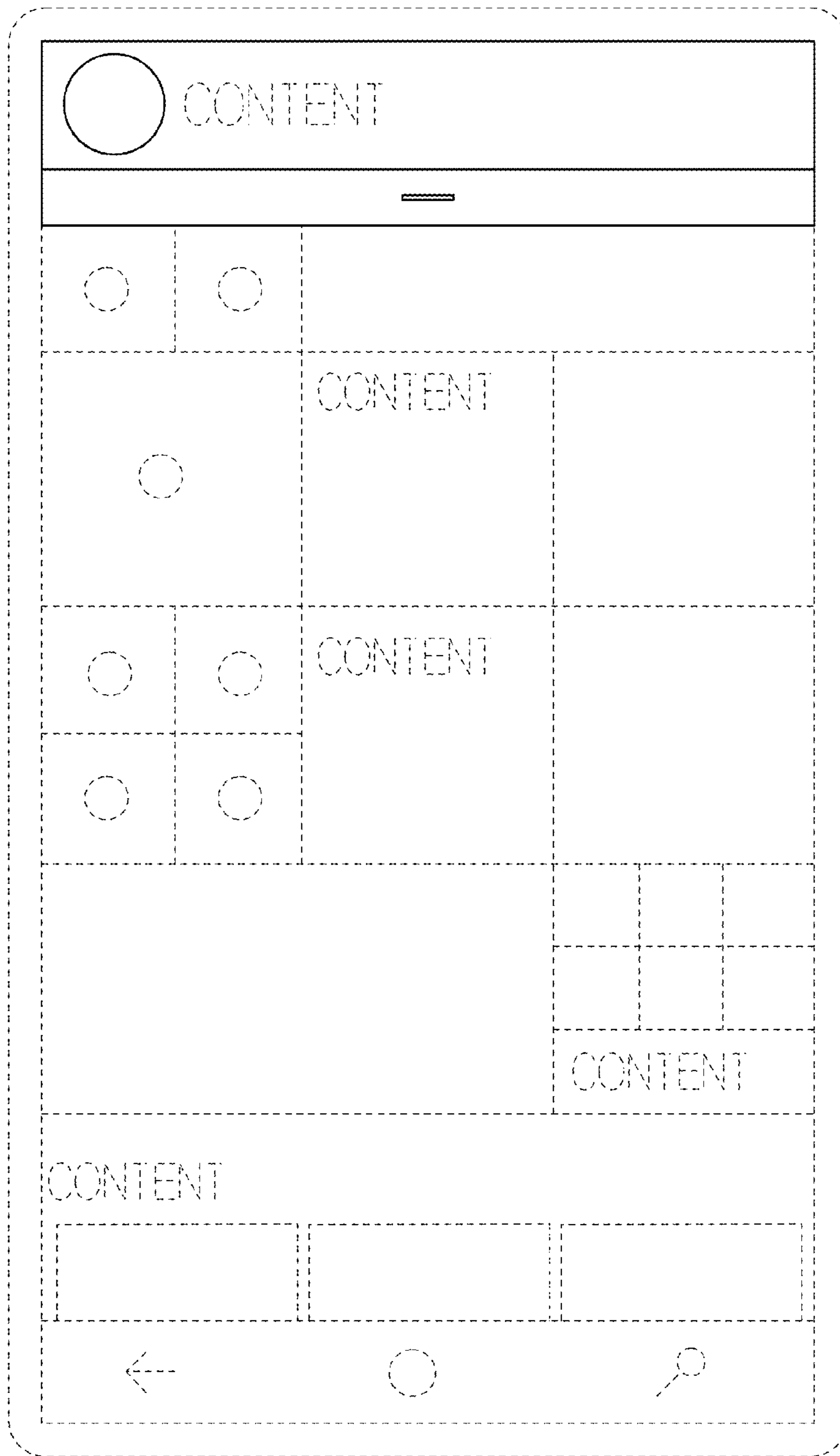
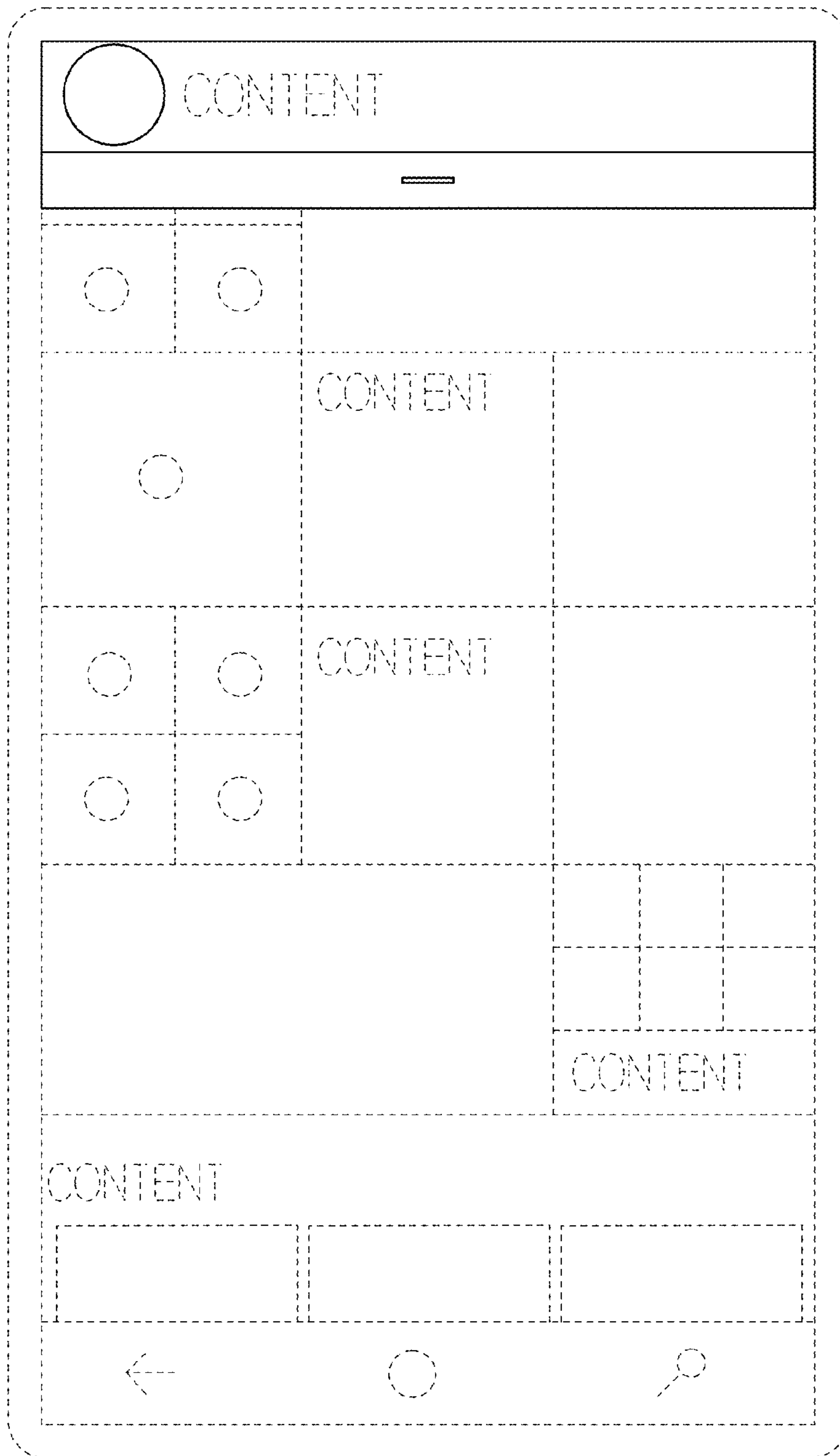


FIG. 13



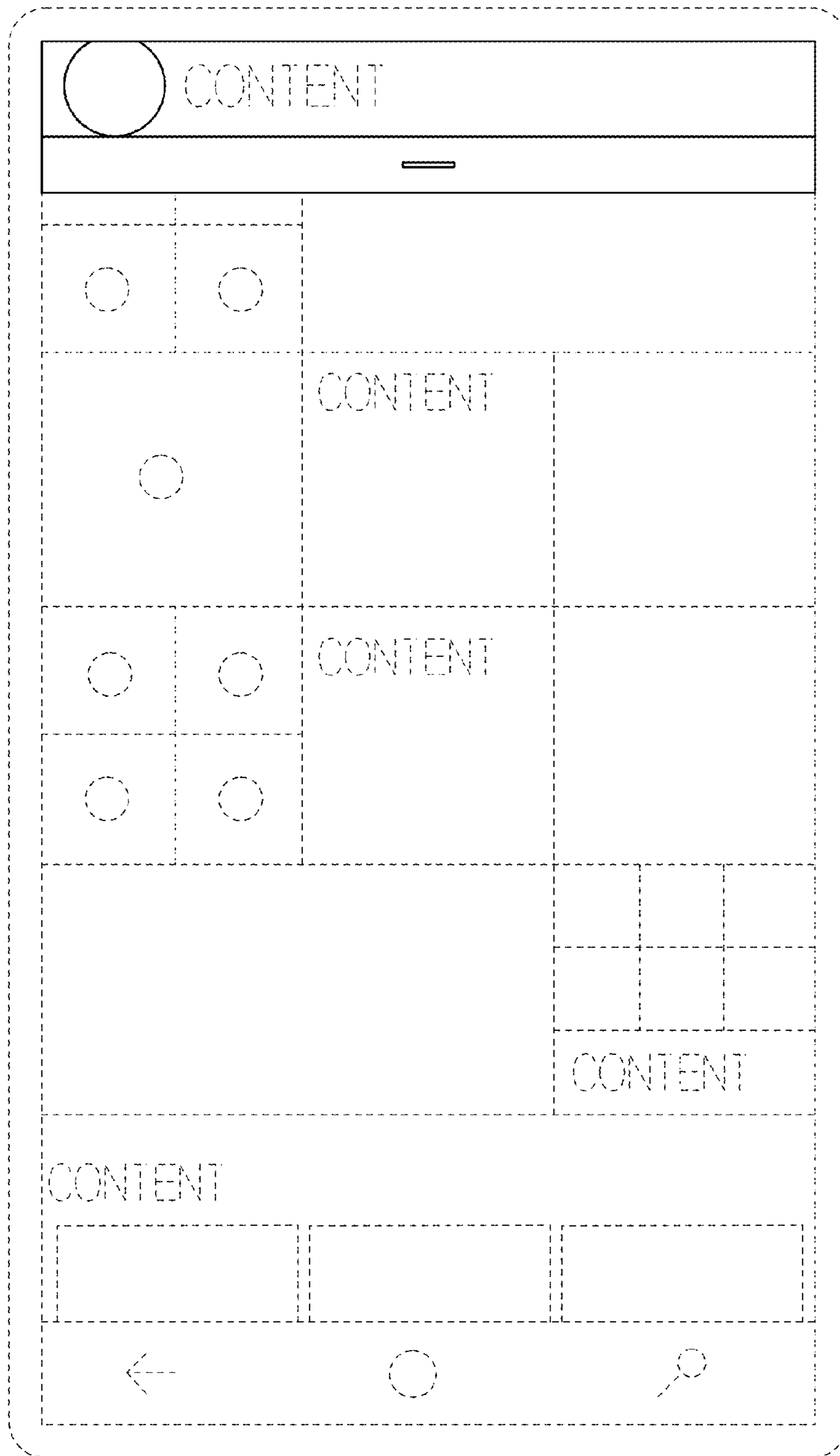
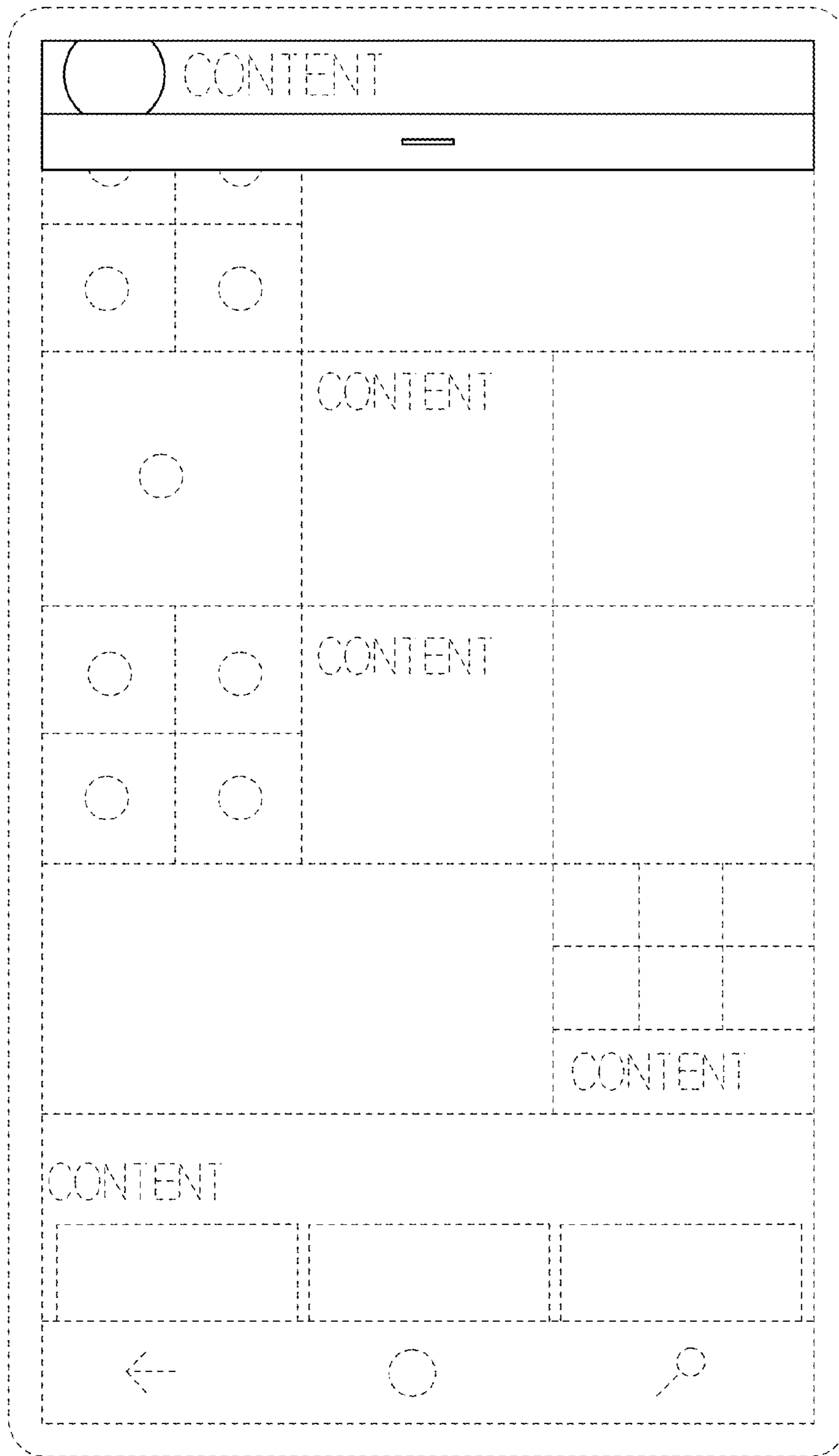
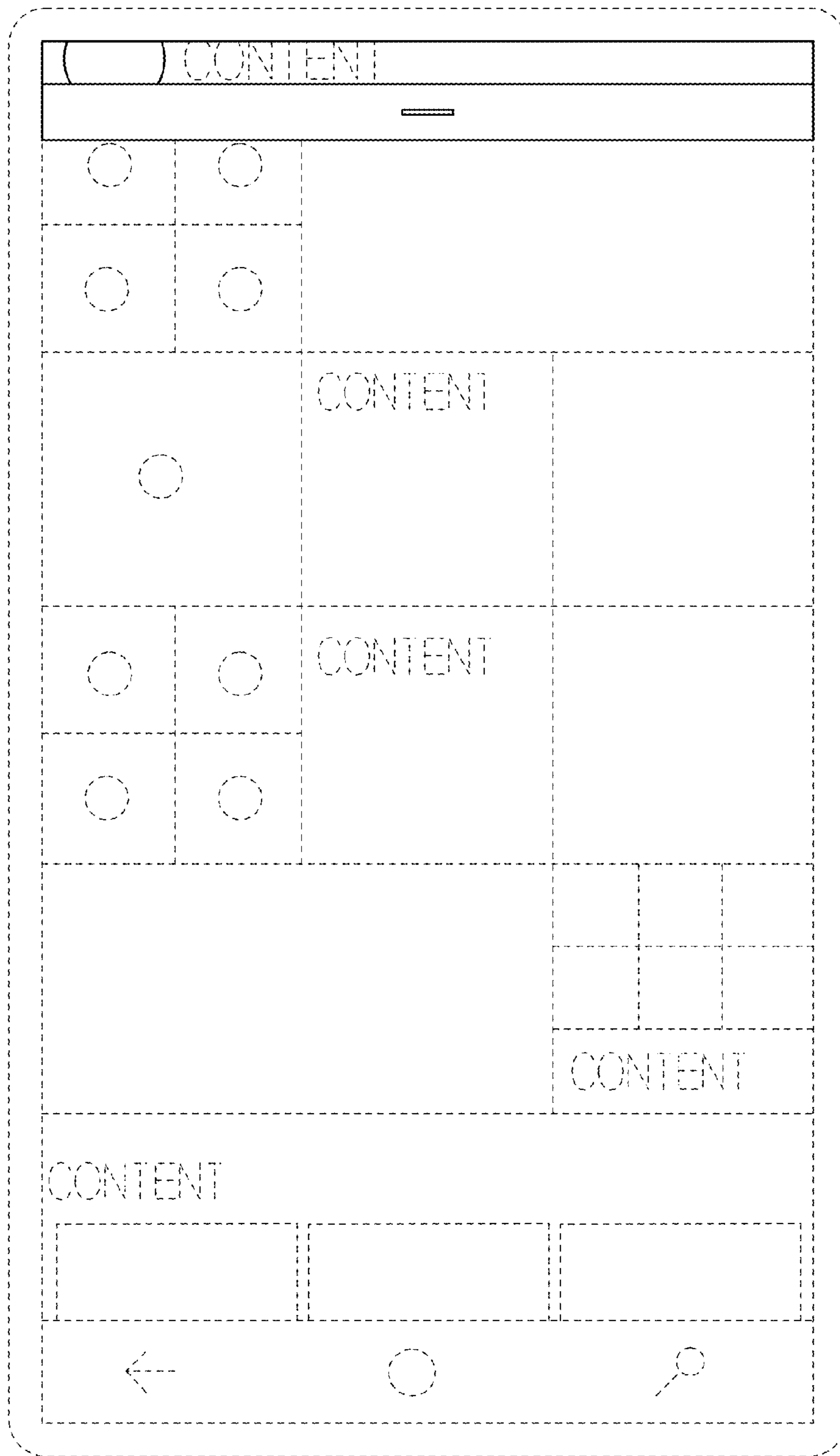


FIG. 15





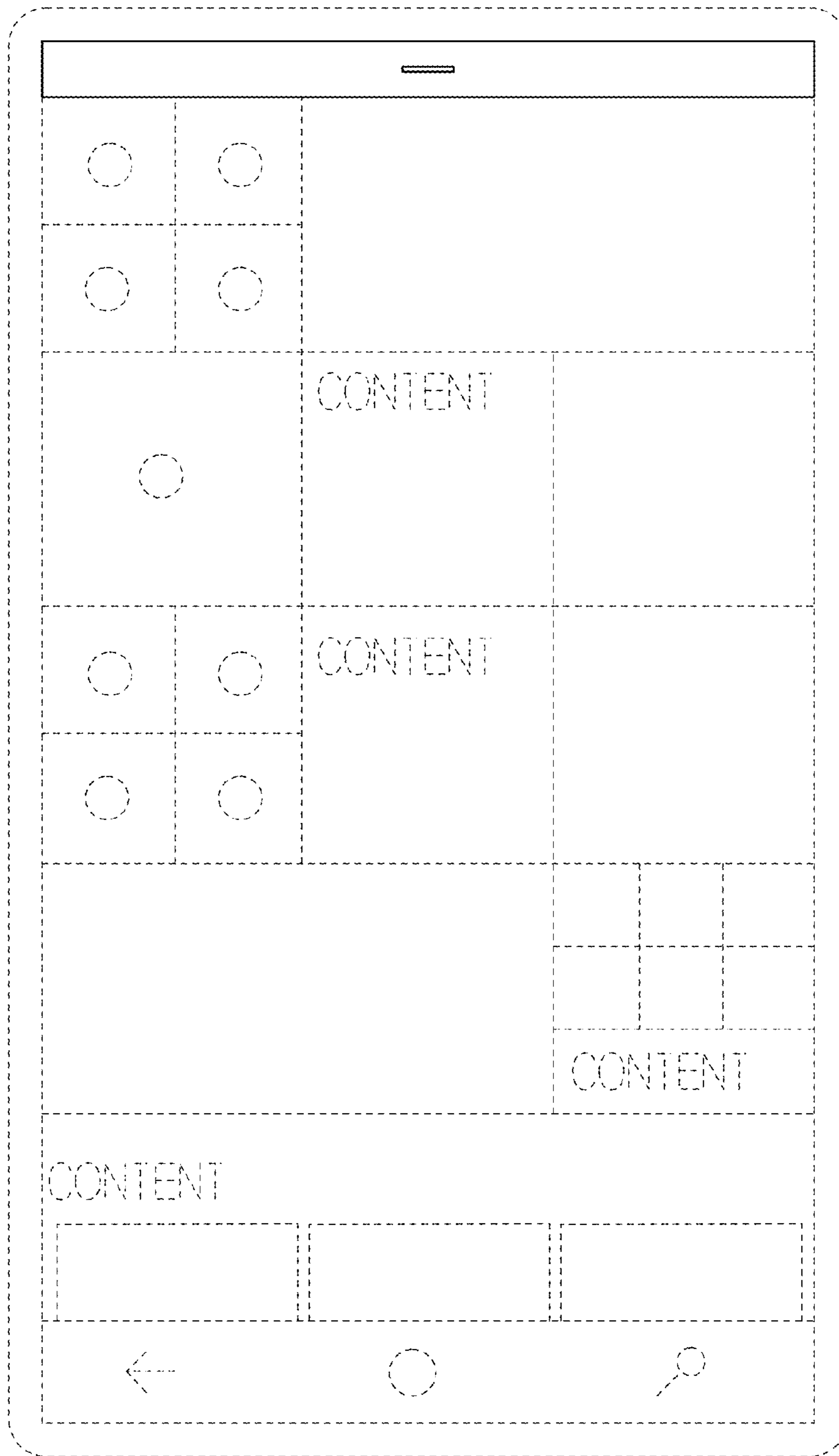


FIG. 18

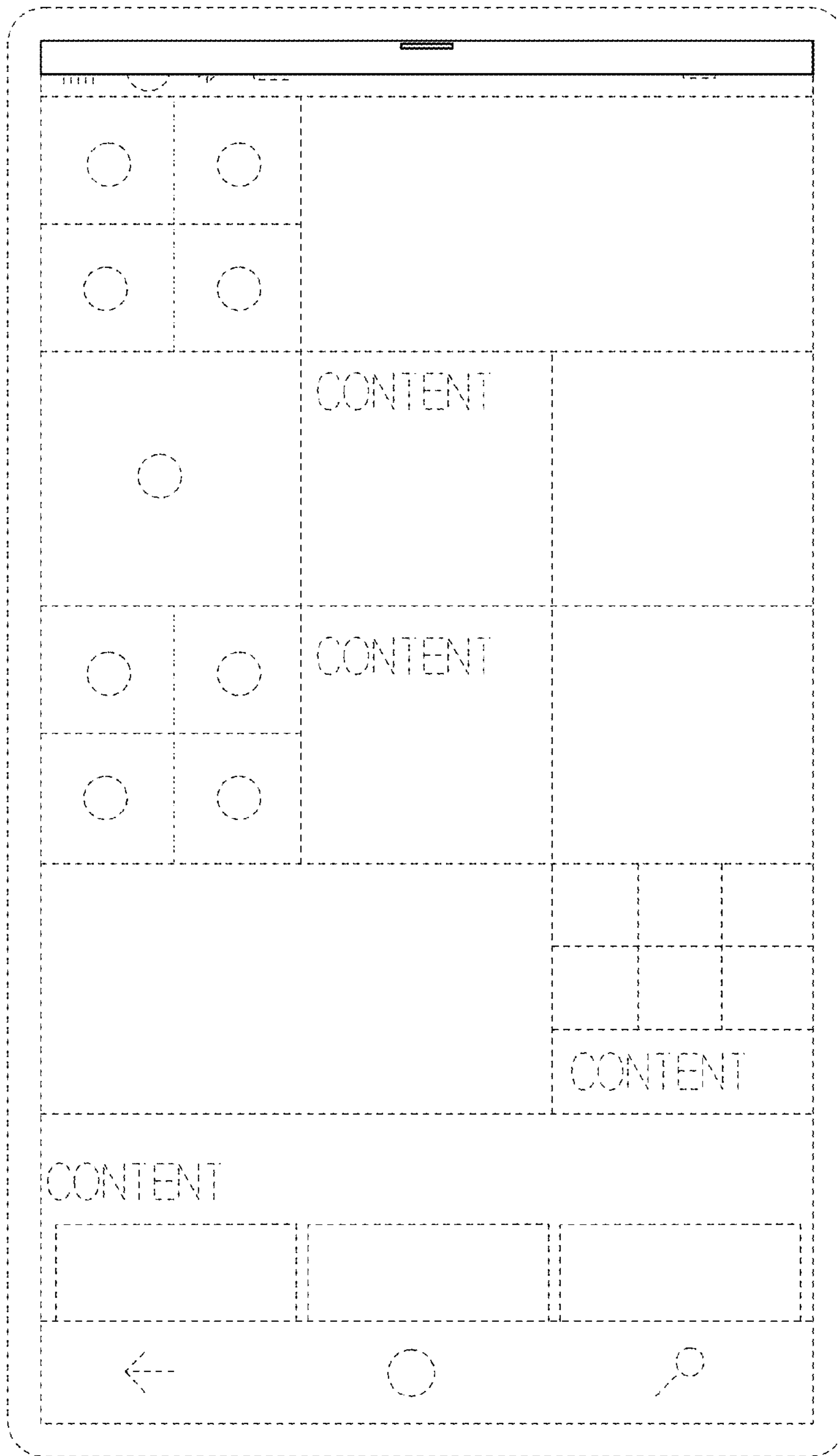


FIG. 19

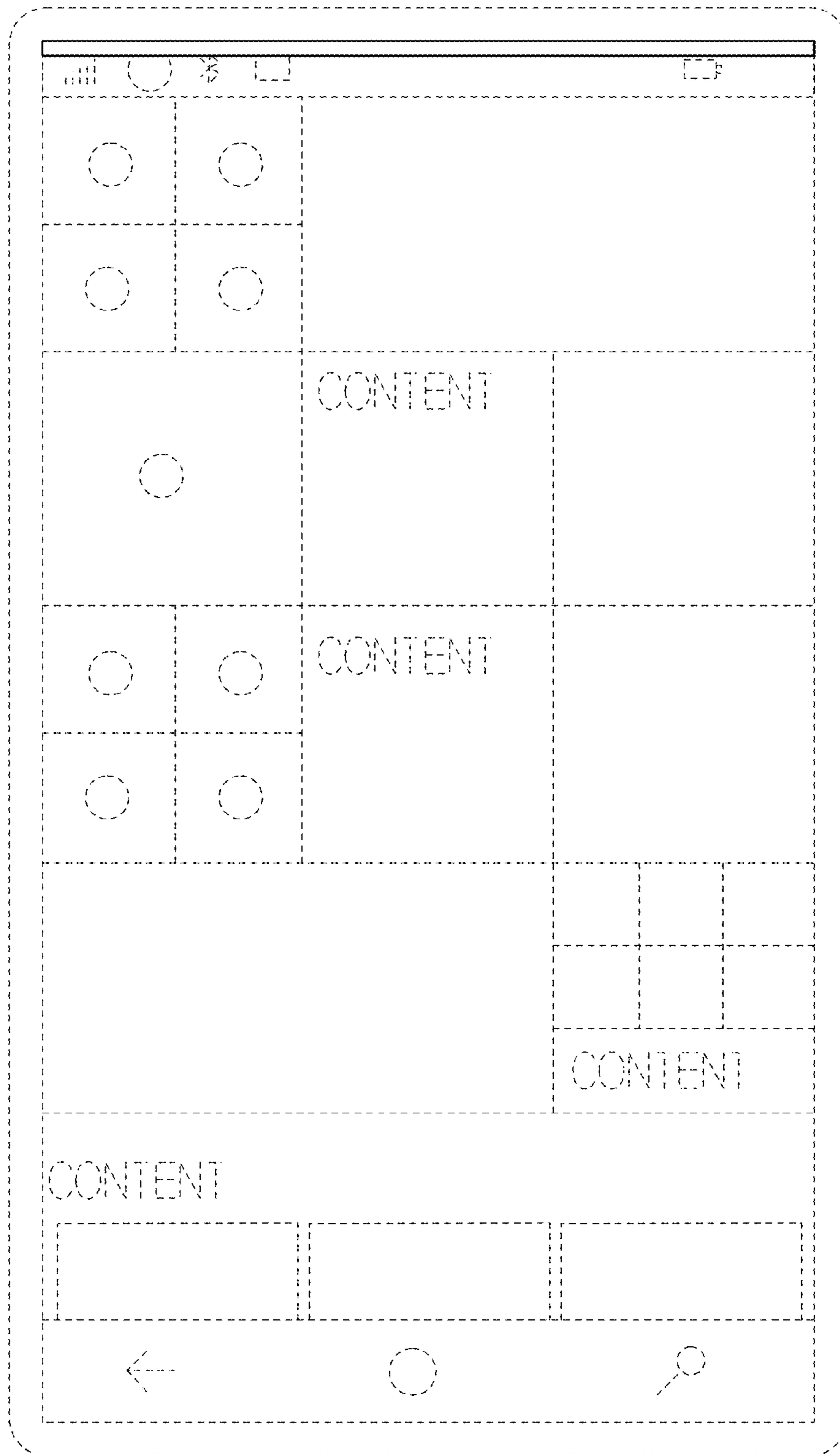


FIG. 20

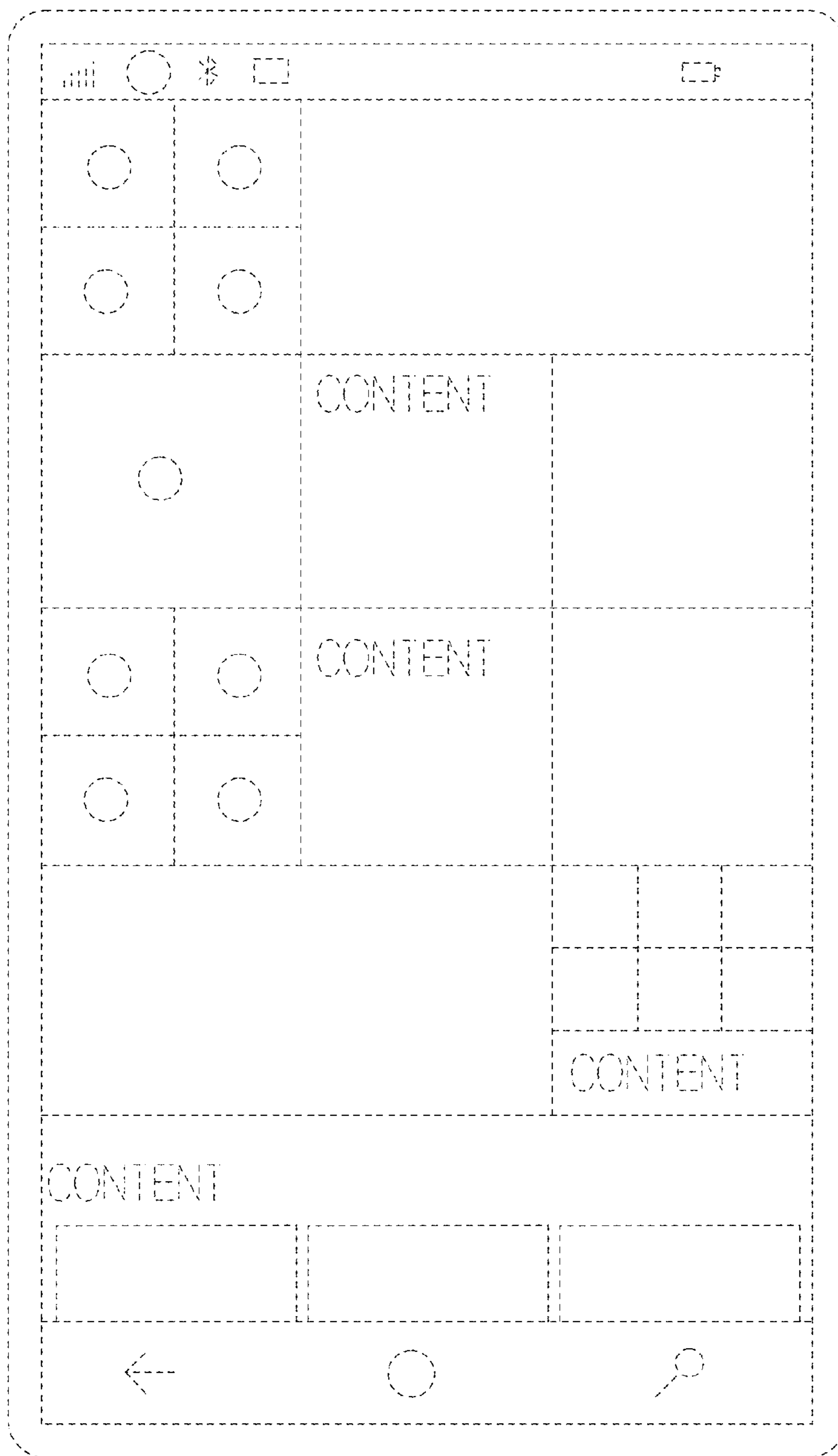


FIG. 21