

US00D762673S

(12) **United States Design Patent**  
**Seo et al.**

(10) **Patent No.:** **US D762,673 S**  
(45) **Date of Patent:** **\*\* Aug. 2, 2016**

(54) **DISPLAY SCREEN OR PORTION THEREOF WITH ANIMATED GRAPHICAL USER INTERFACE**

(71) Applicant: **Samsung Electronics Co., Ltd.**,  
Suwon-si (KR)  
(72) Inventors: **Jang-Won Seo**, Seoul (KR); **Yoo-Jin Choi**, Seoul (KR); **Woo-Seok Hwang**, Seoul (KR)

(73) Assignee: **Samsung Electronics Co., Ltd.**,  
Suwon-si (KR)

(\*\*) Term: **15 Years**

(21) Appl. No.: **29/528,744**

(22) Filed: **Jun. 1, 2015**

(30) **Foreign Application Priority Data**

Dec. 31, 2014 (KR) ..... 30-2014-0064492

(51) **LOC (10) Cl.** ..... **14-04**

(52) **U.S. Cl.**  
USPC ..... **D14/485**; D14/489; D14/488

(58) **Field of Classification Search**  
USPC ..... D14/485-495; D18/32; D20/11, 22, 27, D20/28, 39, 40; D21/329  
CPC ..... G06F 3/048-3/04897; G06F 2203/04806; H04N 1/004; H04N 1/00196; H04N 1/00477; G06Q 10/063114; G11B 27/34  
See application file for complete search history.

(56) **References Cited**

**U.S. PATENT DOCUMENTS**

5,784,056 A \* 7/1998 Nielsen ..... G06F 3/04812  
715/839  
D626,131 S \* 10/2010 Kruzeniski ..... D14/485

(Continued)

**FOREIGN PATENT DOCUMENTS**

EM 002186775-0011 3/2013  
KR 30-2014-0008994 4/2014  
KR 30-2013-0060412 5/2014

**OTHER PUBLICATIONS**

Simple Circles Video Background Loop, by downloops, shutterstock [online], last updated Jun. 11, 2014, [retrieved Mar. 22, 2016], retrieved from the Internet <URL: <http://www.shutterstock.com/video/clip-3218809-stock-footage-quapo-simple-circles-video-background-loop-overlapping-circles-build-a-nice-ornamental-loop.html?src=rel/3218842:0/gg>>.\*

(Continued)

*Primary Examiner* — Cathron Brooks

*Assistant Examiner* — Ian Whitmore

(74) *Attorney, Agent, or Firm* — NSIP Law

(57) **CLAIM**

We claim the ornamental design for a display screen or portion thereof with animated graphical user interface, as shown and described.

**DESCRIPTION**

FIG. 1 is the first image in a sequence for a display screen or portion thereof with animated graphical user interface showing our new design;

FIG. 2 is the second image thereof;

FIG. 3 is the third image thereof;

FIG. 4 is the fourth image thereof;

FIG. 5 is the fifth image thereof;

FIG. 6 is the sixth image thereof;

FIG. 7 is the seventh image thereof;

FIG. 8 is the eighth image thereof;

FIG. 9 is the ninth image thereof;

FIG. 10 is the tenth image thereof;

FIG. 11 is the eleventh image thereof; and,

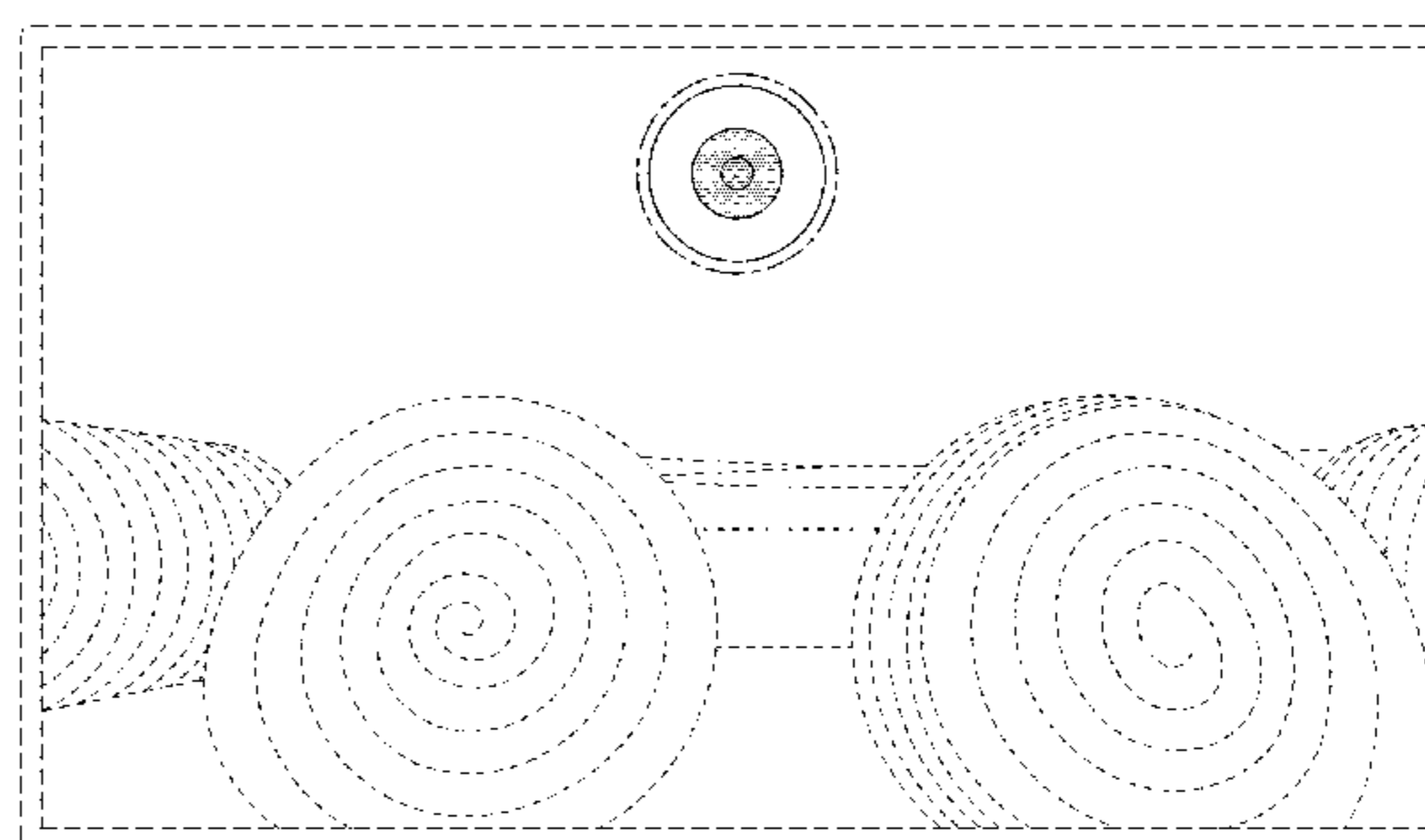
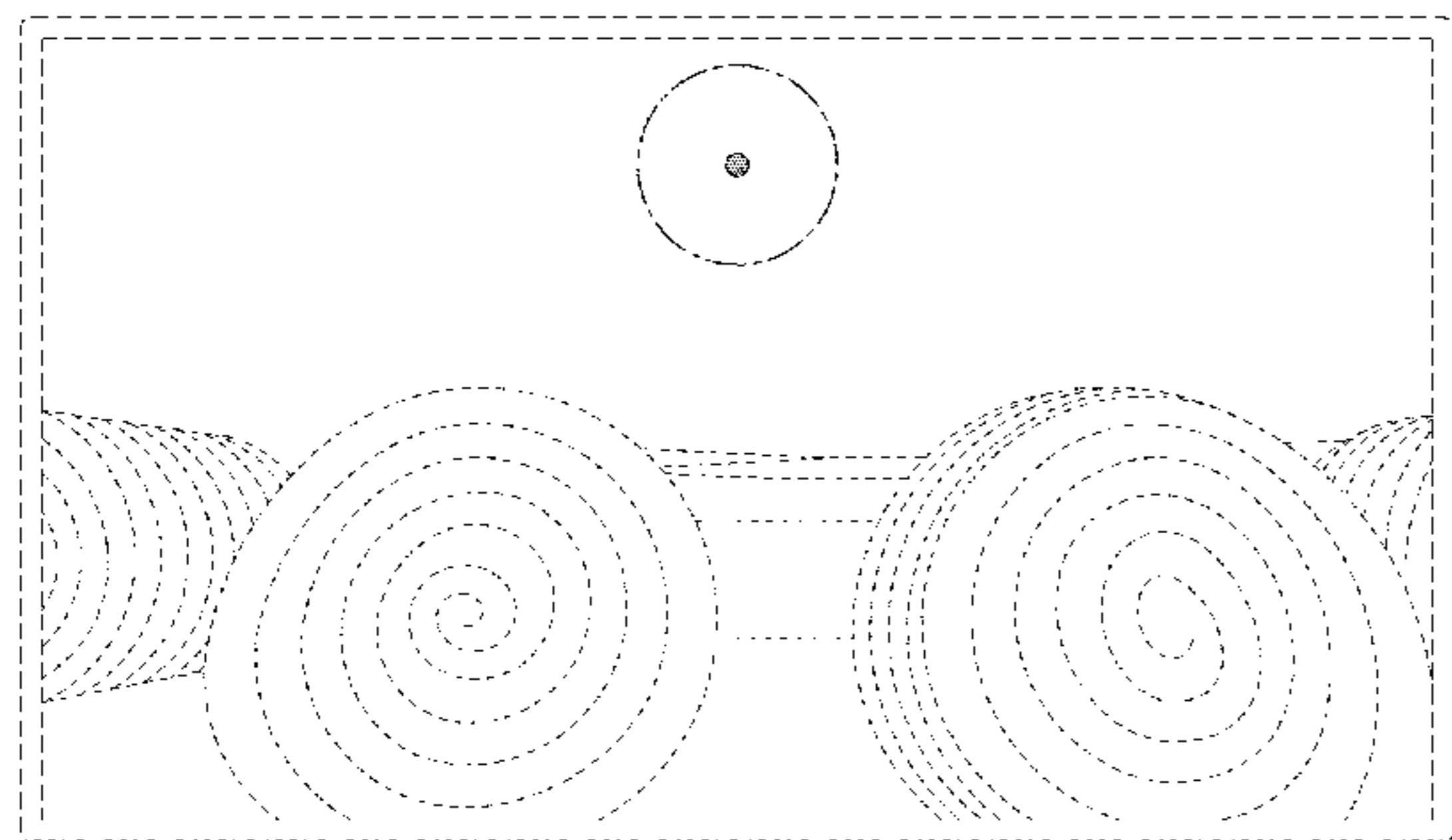
FIG. 12 is the twelfth image thereof.

The appearance of the animated user interface sequentially transitions between the images shown in FIGS. 1-12. The process or period in which one image transitions to another forms no part of the claimed design.

The evenly spaced broken lines show a display screen or portion thereof and portions of a graphical user interface and form no part of the claimed design.

The dot-dash lines define the boundary of the claimed design and form no part thereof.

**1 Claim, 12 Drawing Sheets**



(56)

References Cited

U.S. PATENT DOCUMENTS

D627,360	S *	11/2010	Aarseth .....	D14/485
D644,243	S *	8/2011	Matas .....	D14/489
D650,793	S *	12/2011	Impas .....	D14/489
D667,423	S *	9/2012	Nagamine .....	D14/488
D699,745	S *	2/2014	Pearson .....	D14/488
D713,414	S *	9/2014	Lee .....	D14/486
D713,415	S *	9/2014	Lee .....	D14/486
D714,819	S *	10/2014	Wang .....	D14/486
D716,334	S *	10/2014	Lee .....	D14/486
D728,616	S *	5/2015	Gomez .....	D14/491
D737,325	S *	8/2015	Kim .....	D14/489
D744,500	S *	12/2015	Lee .....	D14/485
D745,559	S *	12/2015	Sanderson .....	D14/492
D746,857	S *	1/2016	Rayit .....	D14/488
D749,107	S *	2/2016	Amiya .....	D14/486
2013/0174094	A1 *	7/2013	Heo .....	G06F 3/04883 715/835
2013/0227450	A1 *	8/2013	Na .....	G06F 3/048 715/764
2015/0193196	A1 *	7/2015	Lin .....	G06F 3/165 715/716
2016/0026253	A1 *	1/2016	Bradski .....	G02B 6/34 345/8

OTHER PUBLICATIONS

Abstract CGI Motion Graphics, by VJLoops, shutterstock [online], last updated Jun. 15, 2014, [retrieved Mar. 22, 2016], retrieved from the Internet <URL: <http://www.shutterstock.com/video/clip-2706197-stock-footage-abstract-cgi-motion-graphics-and-animated-background-with-pulsing-red-circle.html?src=recommended/3889028:3>>.\*

Abstract Circle With Rotating Rings, by Swatchandsoda, dreamstime.com [online], last updated Jan. 27, 2008, [retrieved Mar. 22, 2016], retrieved from the Internet <URL: <http://www.dreamstime.com/stock-video-abstract-circle-rotating-rings-over-white-second-loop-background-matte-hd-video47030452>>.\*

SevenSigN. "Unlock screen change of Galaxytab 10.1/8.9 which consumed ice cream sandwich". [2012] sevensign.tistory.com. Aug. 20, 2012. <<http://sevensign.tistory.com/532>>.

Izandman. "Hacking Cortana: meet \*all\* of Cortana's personas!". [2014]. leonzandman.com. Apr. 22, 2014. <<http://leonzandman.com/2014/04/22/hacking-cortana-meet-all-of-cortanas-personas/>>.

\* cited by examiner

FIG. 1

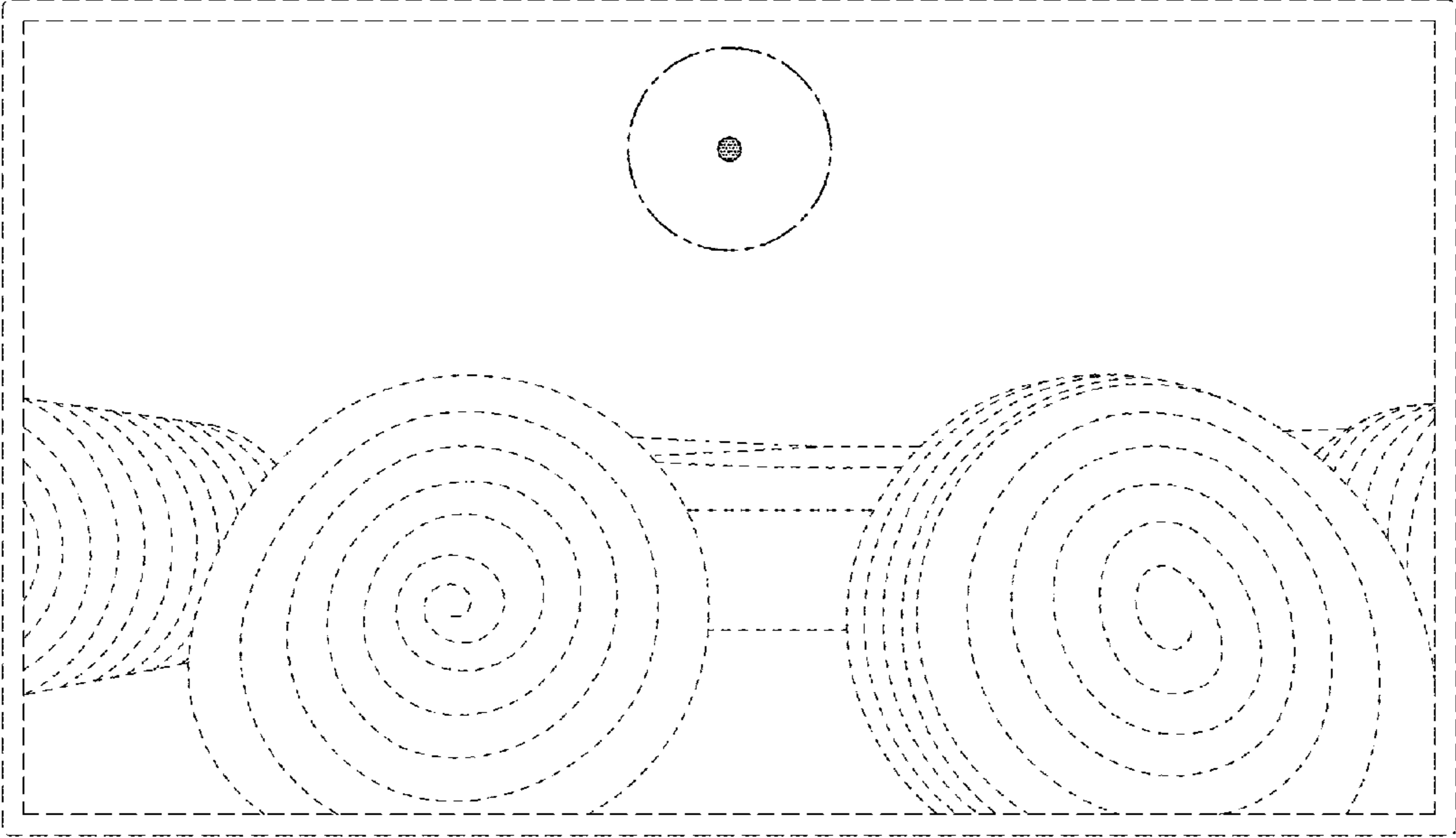


FIG. 2

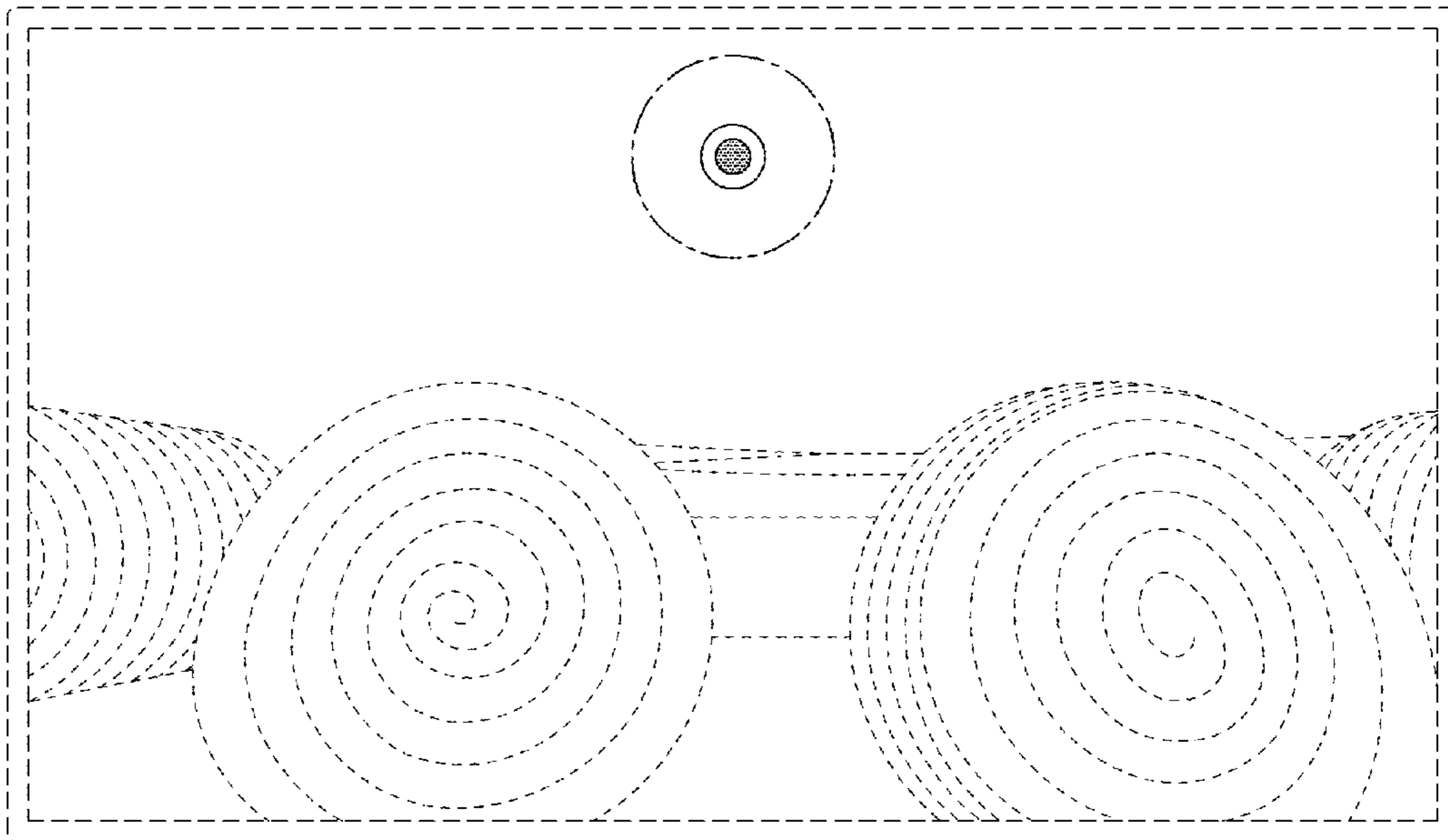


FIG. 3

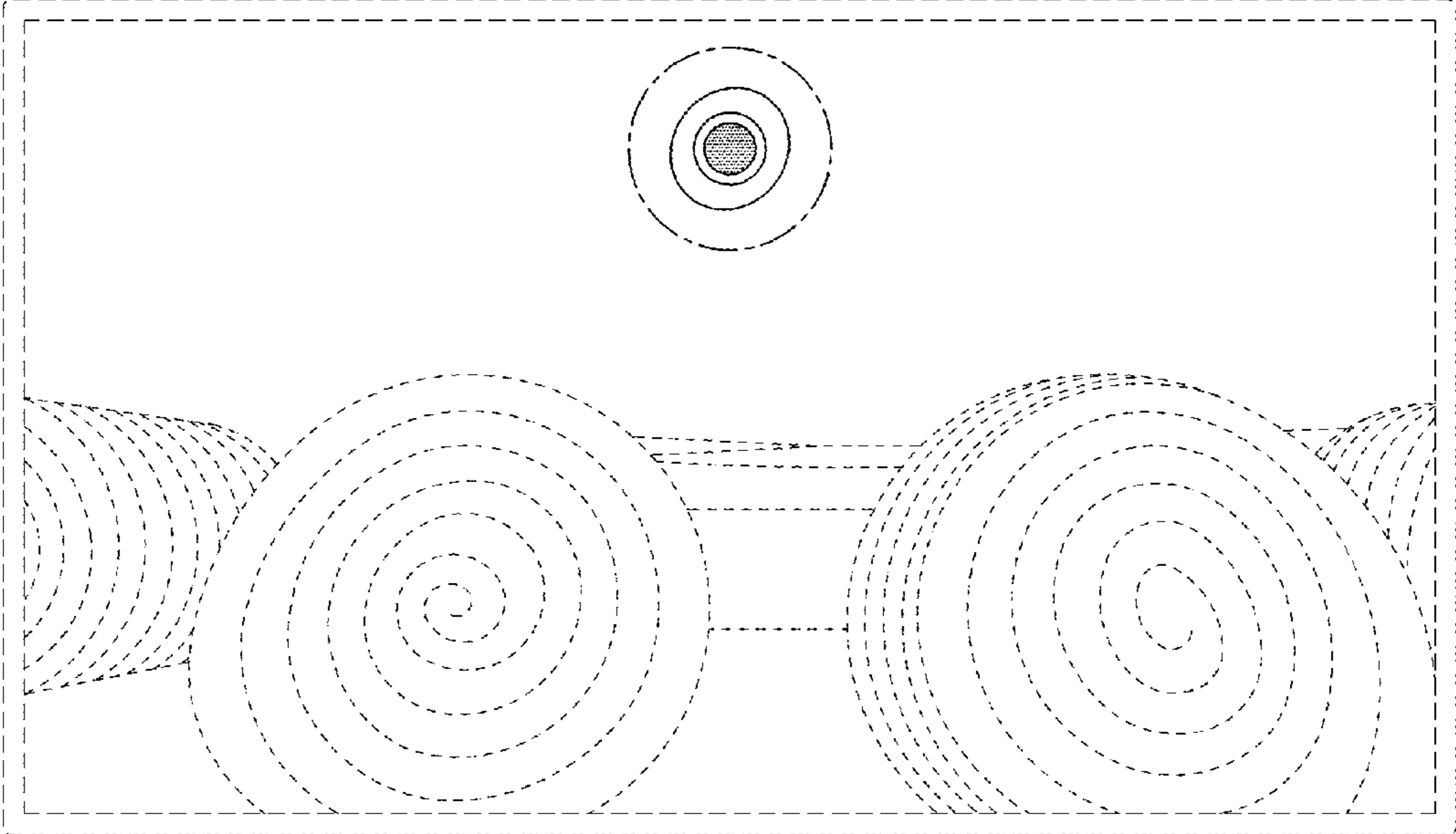


FIG. 4

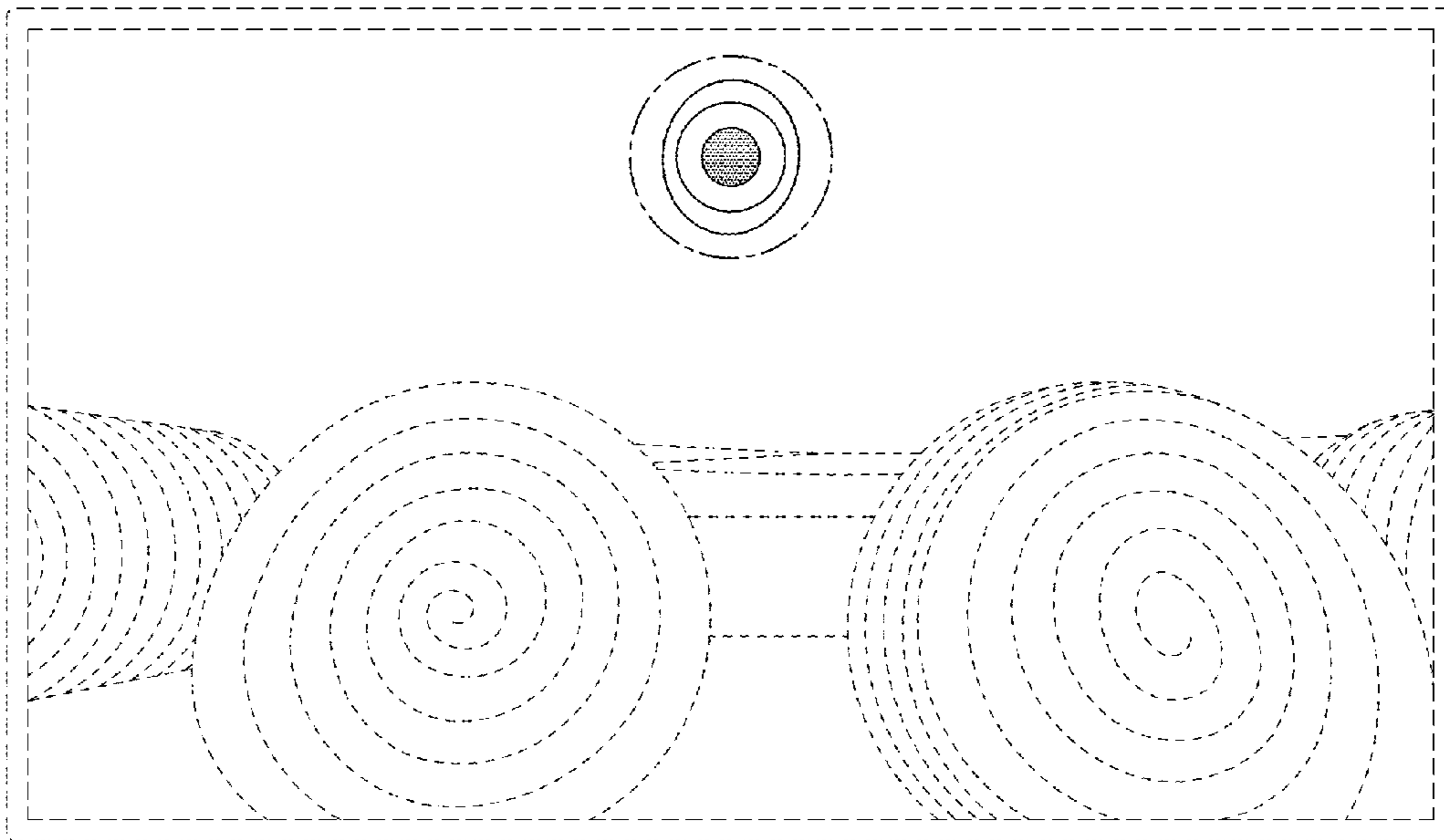


FIG. 5

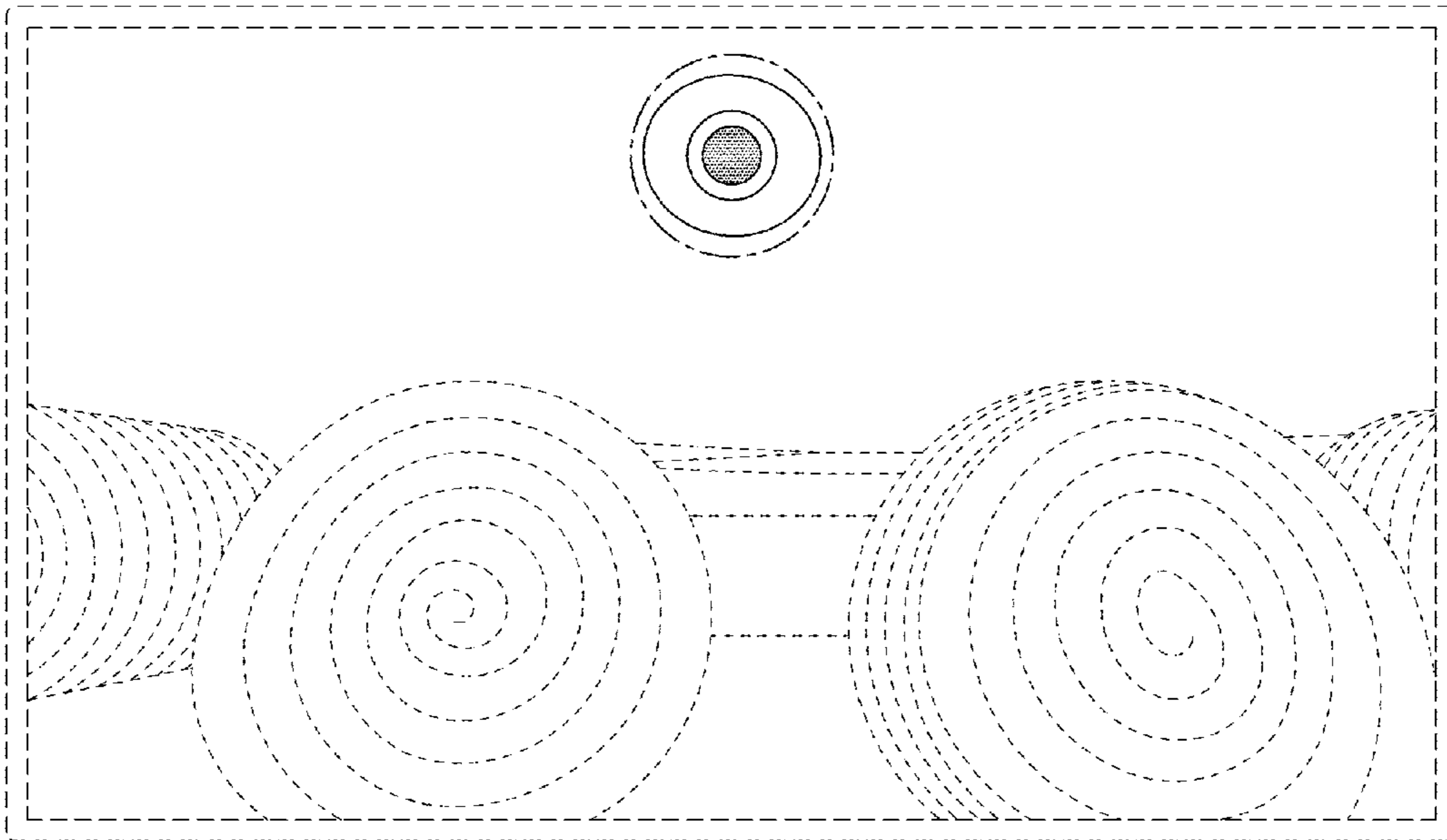


FIG. 6

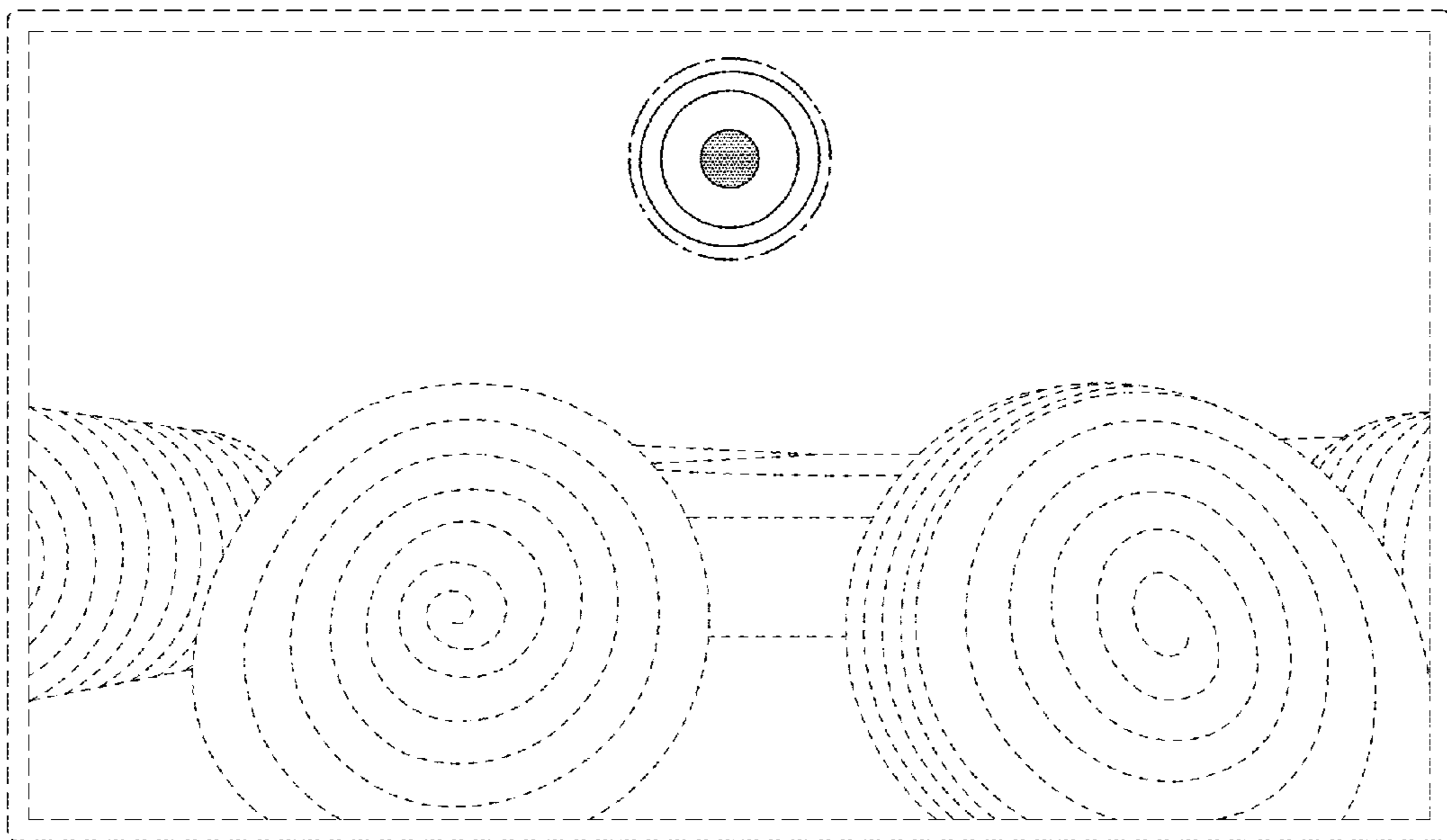




FIG. 7

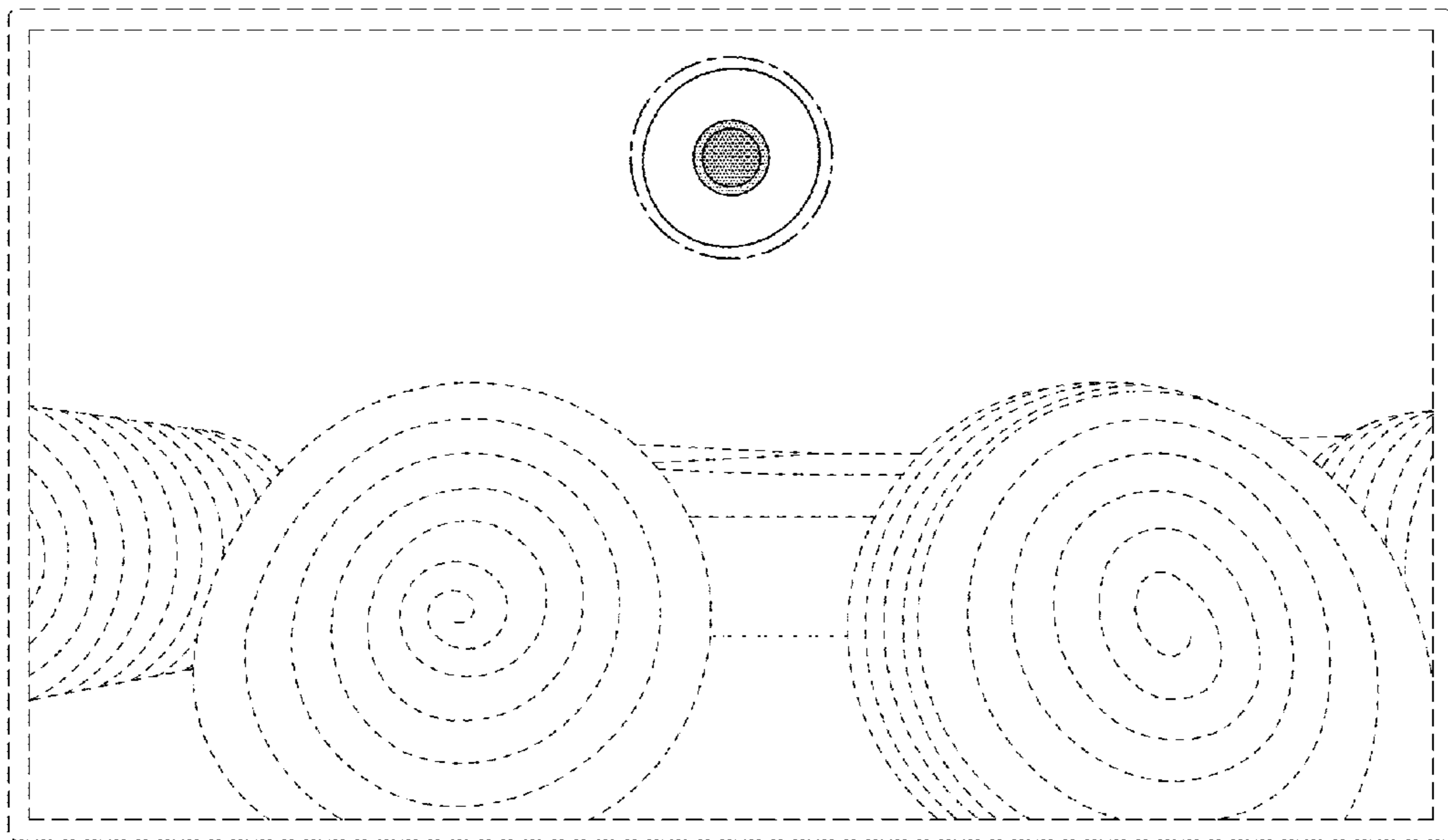


FIG. 8

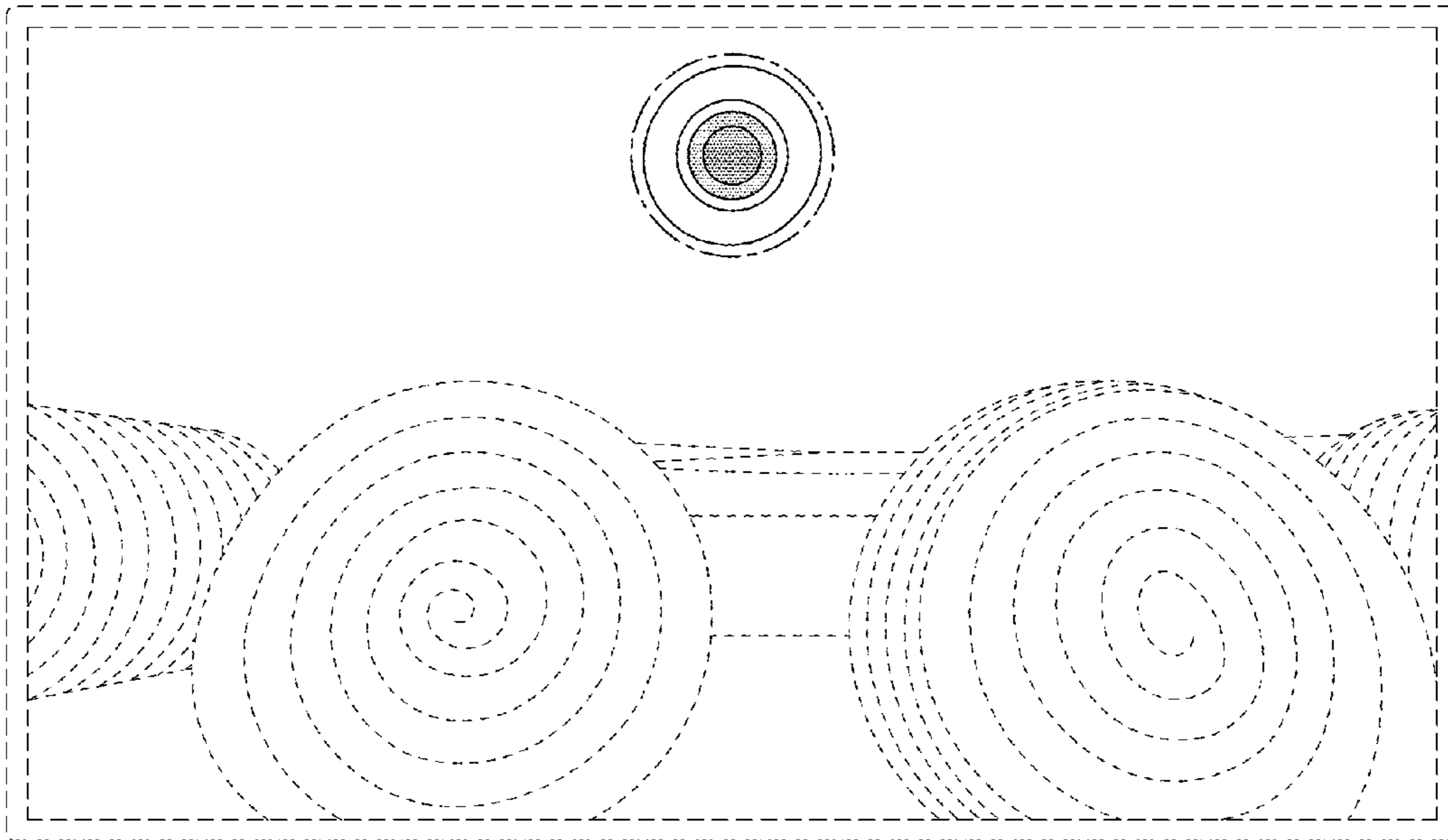


FIG. 9

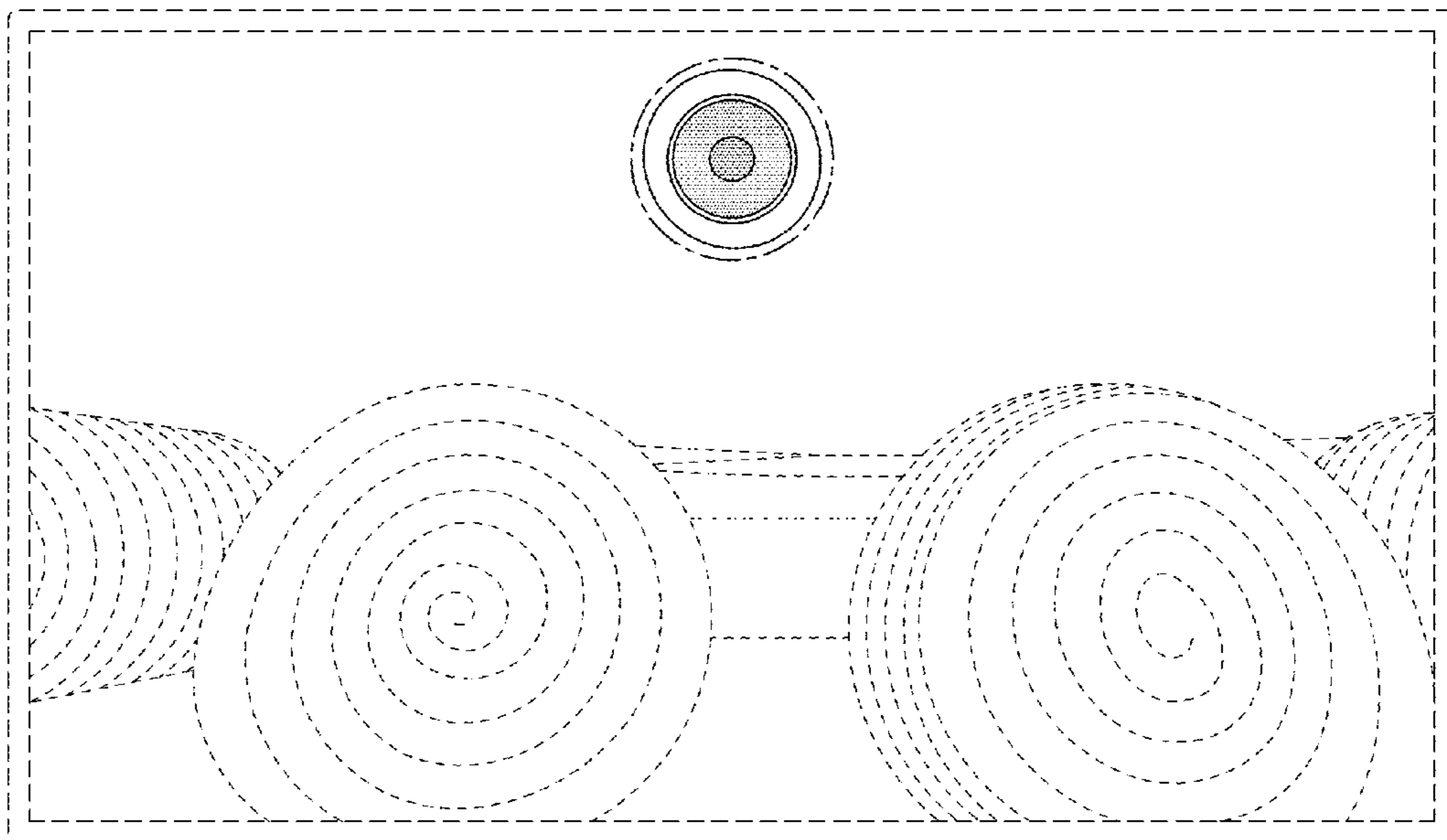


FIG. 10

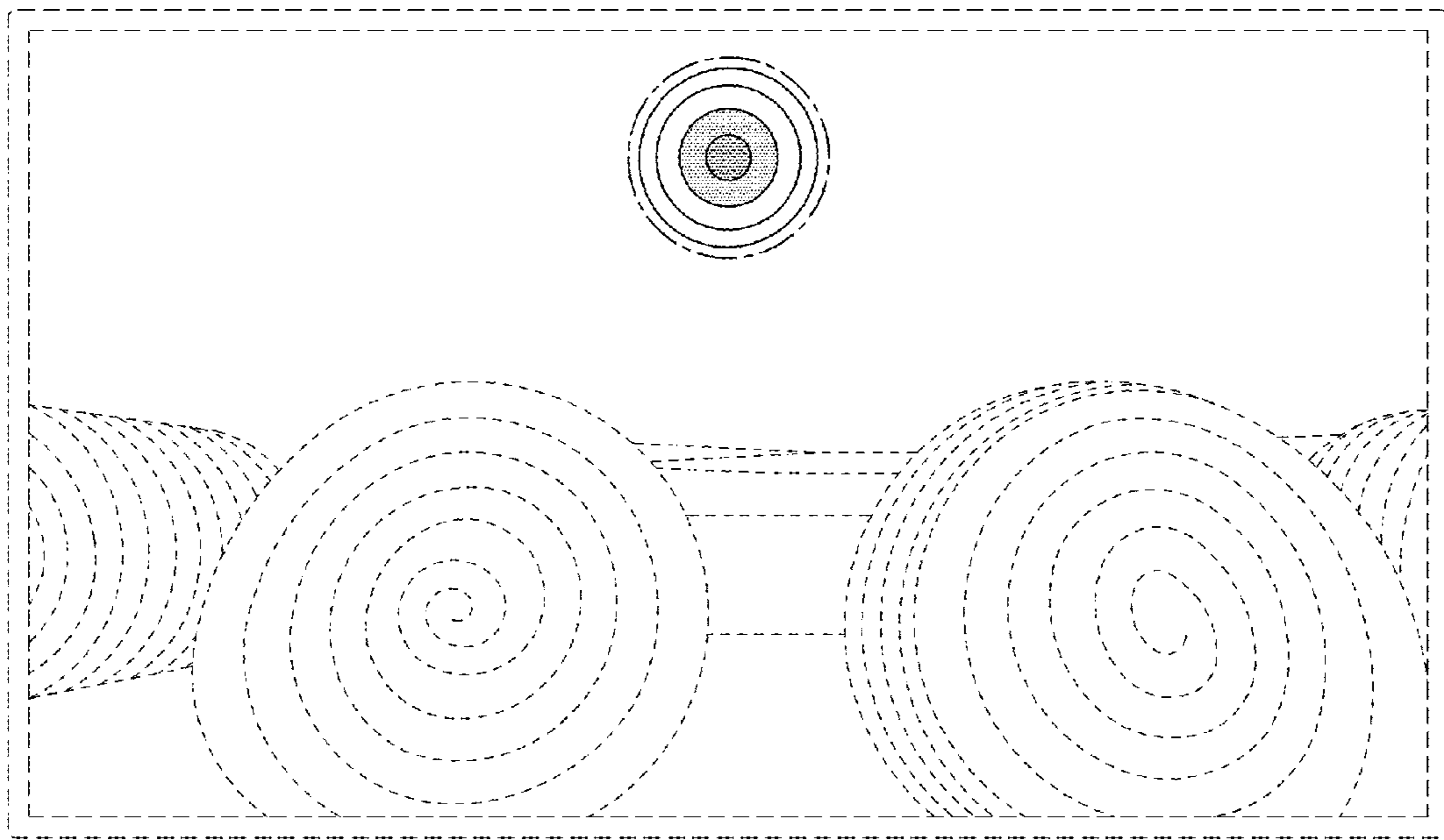


FIG. 11

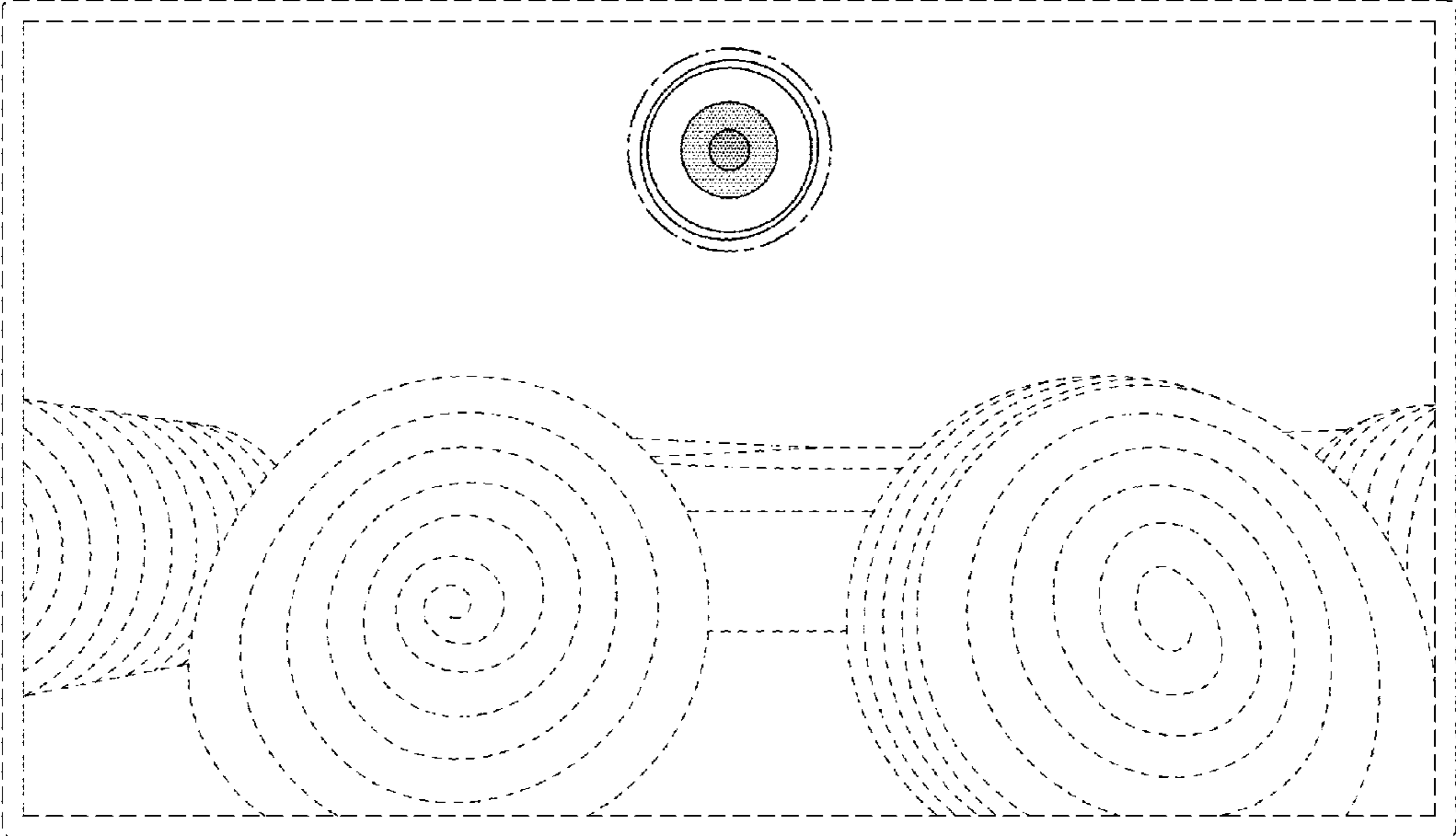


FIG. 12

