

US00D762665S

(12) **United States Design Patent**
Lee et al.

(10) **Patent No.:** **US D762,665 S**
(45) **Date of Patent:** **** Aug. 2, 2016**

(54) **DISPLAY SCREEN OR PORTION THEREOF WITH TRANSITIONAL GRAPHICAL USER INTERFACE**

FOREIGN PATENT DOCUMENTS

DE	402013004093.5	10/2013
KR	30-2012-0030562	11/2012
KR	30-2012-0035091	1/2013

(71) Applicant: **Samsung Electronics Co., Ltd.**,
Suwon-si (KR)

OTHER PUBLICATIONS

(72) Inventors: **Seunguk Lee**, Goyang-si (KR);
Changwon Kim, Asan-si (KR); **Sunmi Jin**,
Yongin-si (KR)

“Plug-in App (A/C).” Google Play. Updated Jan. 15, 2015. Accessed Mar. 1, 2016. Available online at URL: <https://play.google.com/store/apps/details?id=com.samsung.smarthome.aircon>.*

(Continued)

(73) Assignee: **Samsung Electronics Co., Ltd.**,
Suwon-si (KR)

Primary Examiner — Eric Goodman
Assistant Examiner — Christian P McLean
(74) *Attorney, Agent, or Firm* — NSIP Law

(**) Term: **14 Years**

(21) Appl. No.: **29/517,399**

(57) **CLAIM**

(22) Filed: **Feb. 12, 2015**

We claim the ornamental design for a display screen or portion thereof with transitional graphical user interface, as shown and described.

(30) **Foreign Application Priority Data**

DESCRIPTION

Aug. 28, 2014 (KR) 30-2014-0042068

(51) **LOC (10) Cl.** **14-04**

(52) **U.S. Cl.**
USPC **D14/485**

(58) **Field of Classification Search**
USPC D14/485–495; 715/763, 810, 836, 837,
715/846, 847, 977
CPC ... G06F 3/048; G06F 3/0481; G06F 3/04812;
G06F 3/04817; G06F 3/0482; G06F 3/0483;
G06F 3/0484; G06F 3/04855; G06Q 30/00
See application file for complete search history.

FIG. 1 is a front view of the first image in a sequence for a display screen or portion thereof with transitional graphical user interface showing our new design; FIG. 2 is a front view of the second image thereof; FIG. 3 is a front view of the third image thereof; FIG. 4 is a front view of the fourth image thereof; and, FIG. 5 is a front view of the fifth image thereof. The appearance of the transitional graphical user interface sequentially transitions between the images shown in FIGS. 1-5. The process or period in which one image transitions to another forms no part of the claimed design. The broken line showing of unclaimed portions of the transitional graphical user interface within FIGS. 1-5 forms no part of the claimed design, and the broken line around FIGS. 1-5 showing of the display screen or portion thereof is included for the purpose of illustrating environmental structure and forms no part of the claimed design.

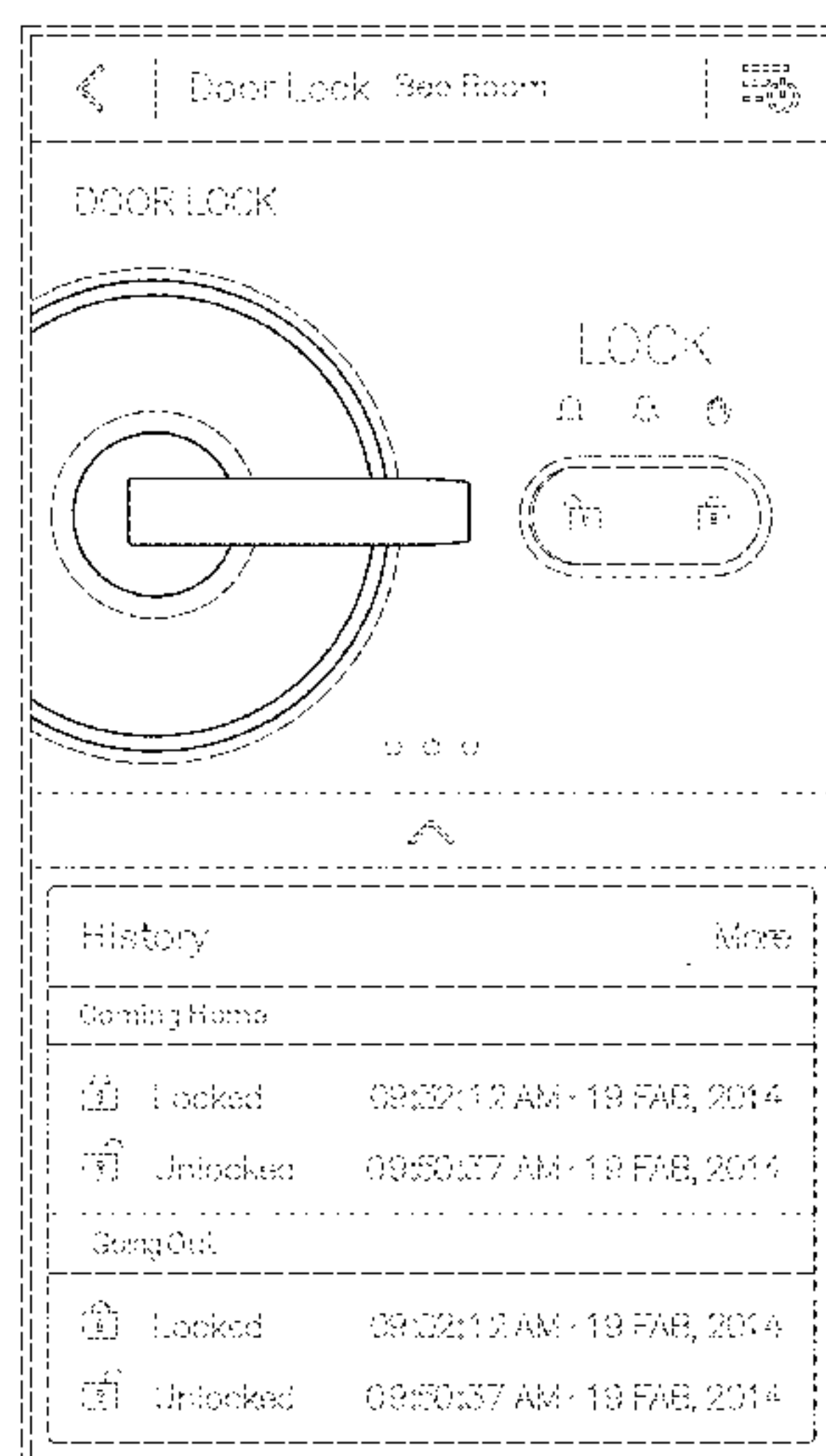
(56) **References Cited**

U.S. PATENT DOCUMENTS

D534,541 S * 1/2007 Retuta D14/486
8,392,849 B2 * 3/2013 Jung G06F 3/04817
715/788

(Continued)

1 Claim, 5 Drawing Sheets



(56)

References Cited

U.S. PATENT DOCUMENTS

D684,586 S * 6/2013 Plesnicher D14/486
 D687,043 S * 7/2013 Matas D14/485
 D687,045 S * 7/2013 Plitkins D14/485
 D687,046 S * 7/2013 Plitkins D14/485
 D687,047 S * 7/2013 Hales, IV D14/485
 D687,063 S * 7/2013 Myung D14/489
 8,542,196 B2 * 9/2013 Pallakoff G06F 3/04886
 345/156
 D697,076 S * 1/2014 Oda D14/486
 D701,226 S * 3/2014 Jung D14/486
 D701,521 S * 3/2014 Kim D14/486
 D706,806 S * 6/2014 Nishizawa D14/488
 D709,914 S * 7/2014 Berdan D14/490
 D710,867 S * 8/2014 Nies D14/486
 D713,412 S * 9/2014 Gall D14/485
 D714,324 S * 9/2014 Barling D14/485
 D716,316 S * 10/2014 Behzadi D14/485
 D716,318 S * 10/2014 Fan D14/485
 D716,325 S * 10/2014 Brudnicki D14/486
 D717,823 S * 11/2014 Brotman D14/486
 8,896,656 B2 * 11/2014 Epstein H04N 5/268
 348/14.05
 D719,180 S * 12/2014 Liang D14/486
 D721,087 S * 1/2015 Barling D14/485
 D721,724 S * 1/2015 Horst D14/486
 D725,138 S * 3/2015 Brotman D14/486
 D725,663 S * 3/2015 Yoneda D14/486
 D730,367 S * 5/2015 Ryan D14/485
 D735,229 S * 7/2015 Lim D14/486
 9,098,114 B2 * 8/2015 Potter G06F 3/017
 9,152,295 B2 * 10/2015 Lai G06F 3/0481
 D747,333 S * 1/2016 Supino D14/486
 D748,101 S * 1/2016 Bang D14/485
 D748,644 S * 2/2016 Huang D14/485
 D749,092 S * 2/2016 Lee D14/485
 D749,107 S * 2/2016 Amiya D14/486
 2003/0153992 A1 * 8/2003 Maruyama G06F 1/1632
 700/83
 2011/0035691 A1 * 2/2011 Kim G06F 3/04817
 715/765

2011/0191708 A1 * 8/2011 Reed G06F 3/048
 715/765
 2013/0326407 A1 * 12/2013 van Os G01C 21/00
 715/810
 2014/0006965 A1 * 1/2014 Xu G06F 3/048
 715/741
 2014/0173439 A1 * 6/2014 Gutierrez G08B 21/24
 715/727
 2014/0184471 A1 * 7/2014 Martynov G06F 3/1423
 345/1.2
 2014/0317527 A1 * 10/2014 Won G06F 3/04897
 715/746
 2014/0365944 A1 * 12/2014 Moore G06F 3/0484
 715/772
 2014/0380218 A1 * 12/2014 Johnnie A61B 5/157
 715/771
 2015/0161836 A1 * 6/2015 Park G07C 9/00134
 340/5.51
 2016/0011767 A1 * 1/2016 Jung G06F 3/0488
 715/847

OTHER PUBLICATIONS

Sparkes, Matthew. "Unlock your home by iPhone with new \$65 lock." The Telegraph. Jan. 28, 2015. Accessed Mar. 1, 2016. Available online at URL: <<http://www.telegraph.co.uk/technology/news/11374037/Unlock-your-home-by-iPhone-with-new-65-lock.html>>.*
 Gebhart, Andrew. "Friday's classy smart lock speaks many languages." CNet. Mar. 31, 2015. Accessed Mar. 1, 2016. Available online at URL: <<http://www.telegraph.co.uk/technology/news/11374037/Unlock-your-home-by-iPhone-with-new-65-lock.html>>.*
 Stuart Buchanan. "Pin from winkapp.com". [2014] www.pinterest.com <<http://www.pinterest.com/pin/456622849692480553/>>.
 Victoria Woollaston. "The end of the house key? Mobile app lets you open your front door using your Phone (and you don't even need to take it out of your pocket)" [2013] www.dailymail.co.uk. Aug. 5, 2013. <<http://www.dailymail.co.uk/sciencetech/article-2384817/Kwikset-Kevo-mobile-app-lets-open-door-using-PHONE.html>>.

* cited by examiner

FIG. 1

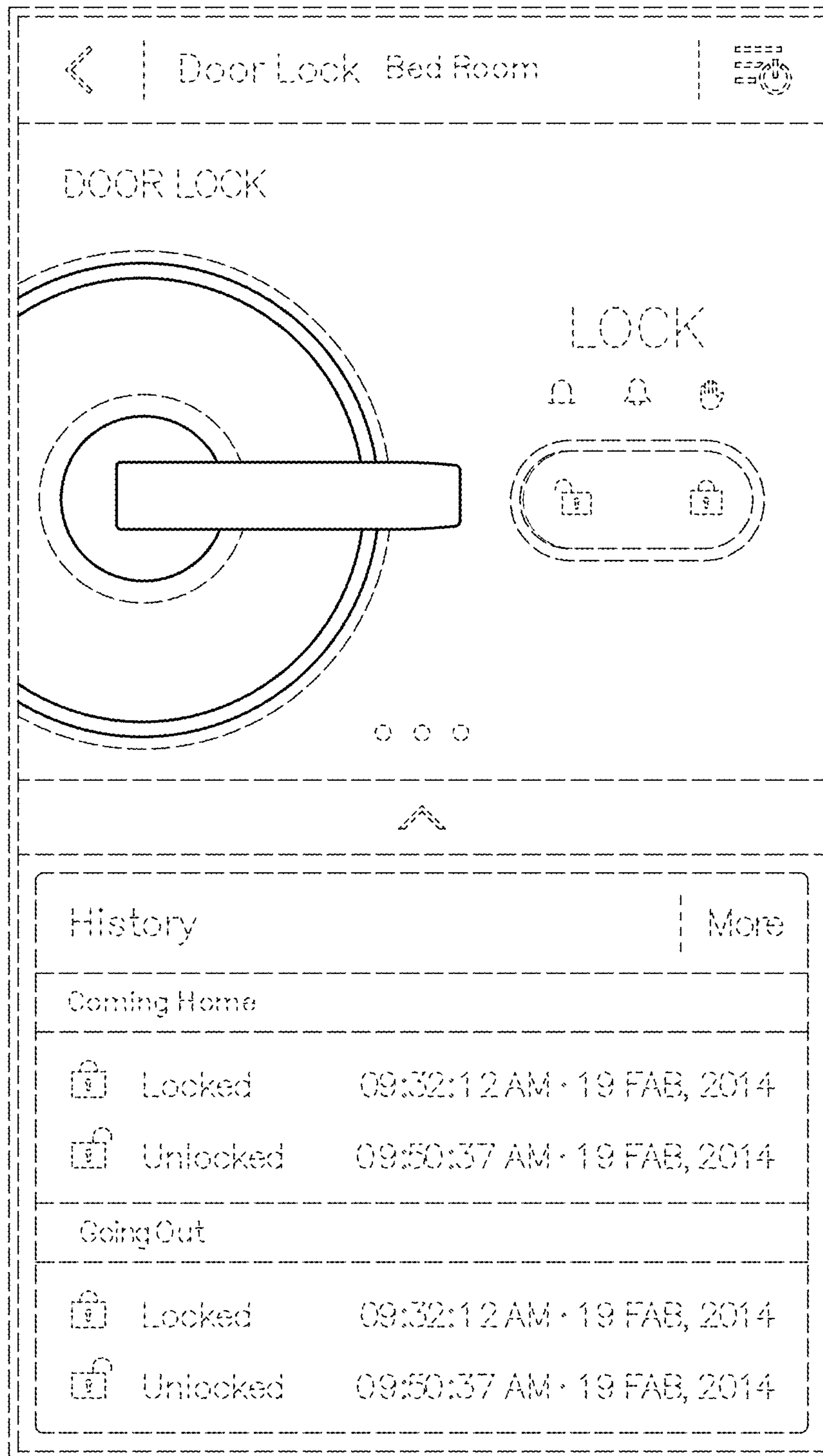


FIG. 2

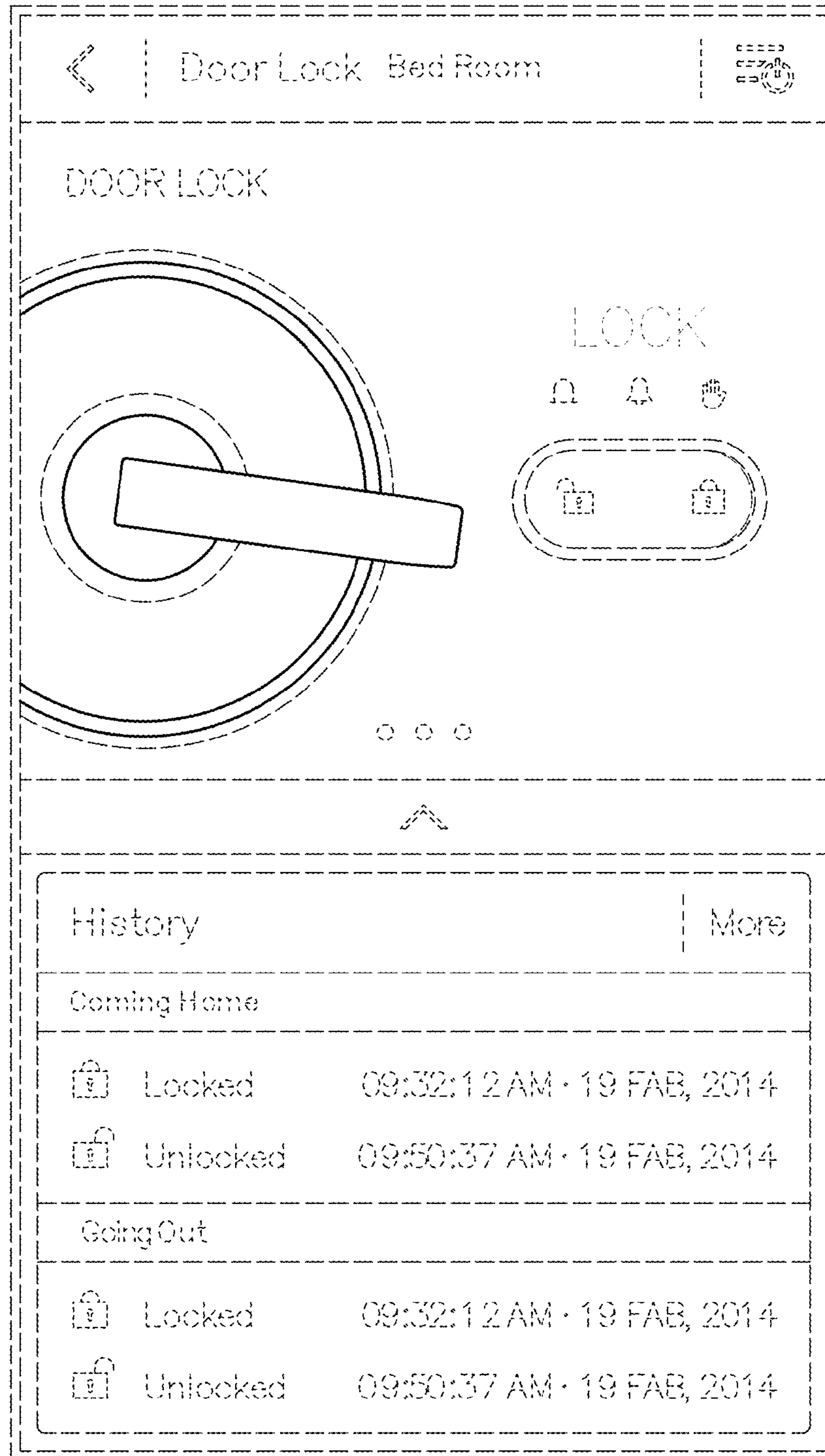


FIG. 3

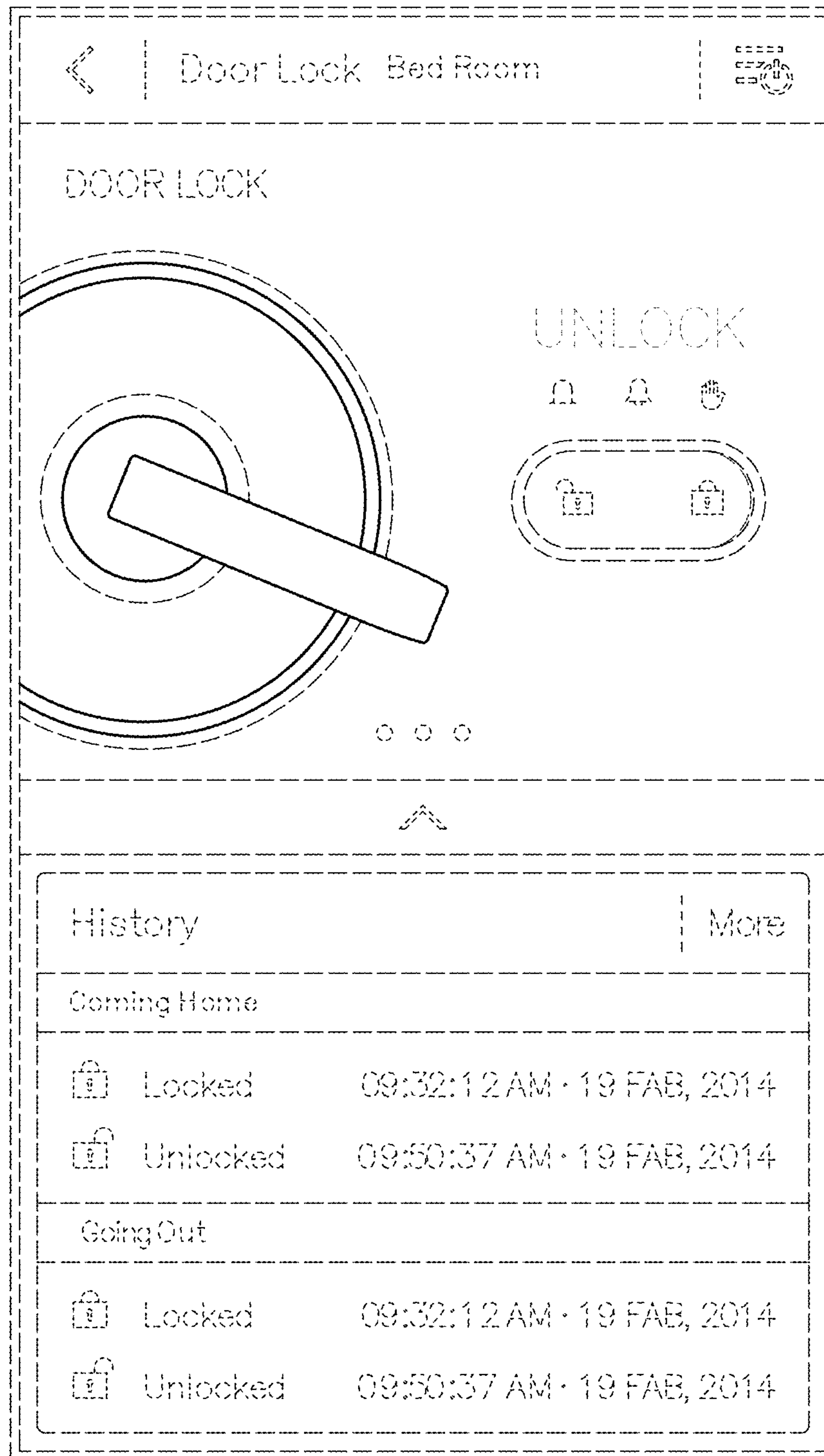


FIG. 4

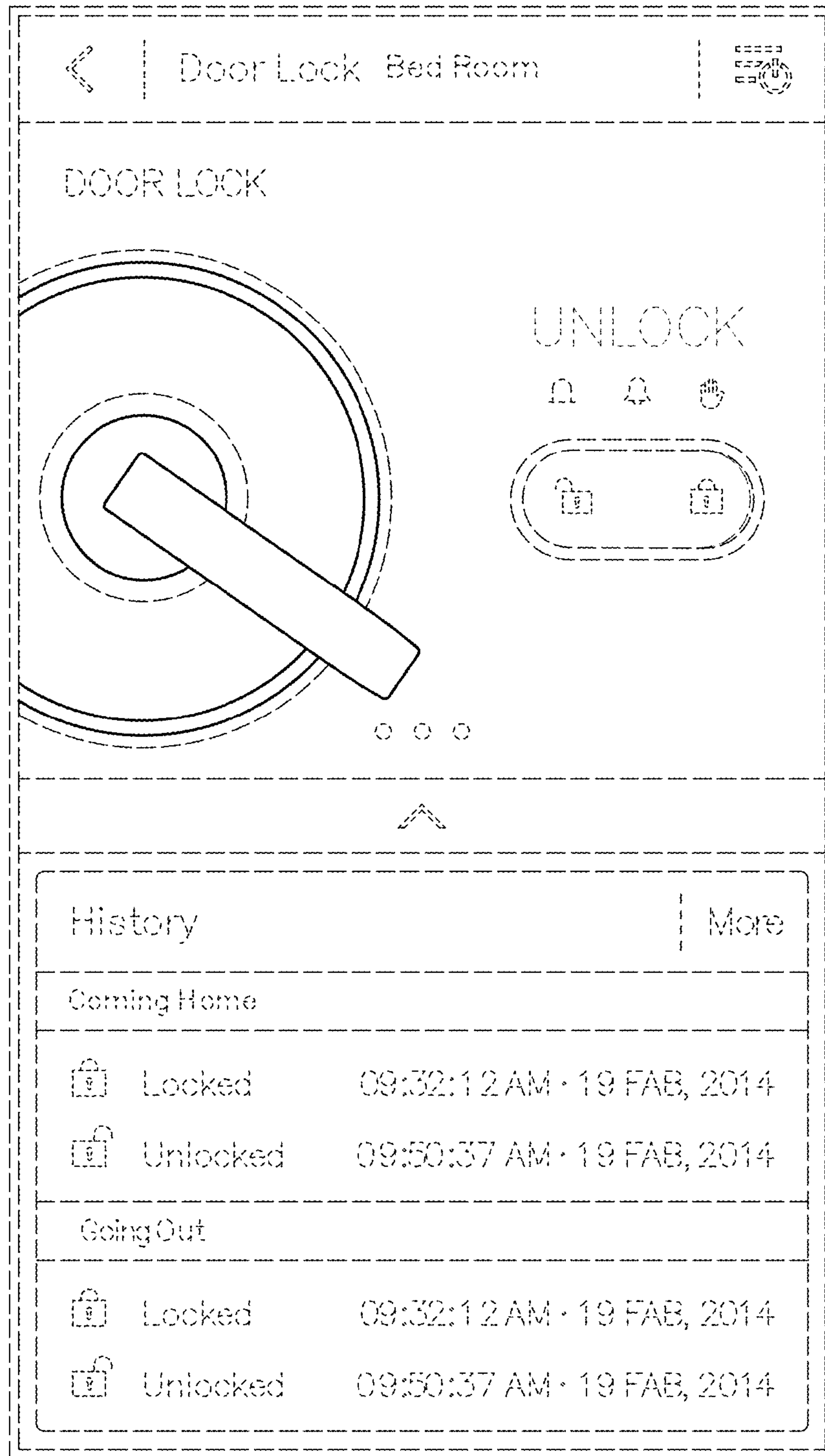


FIG. 5

