



US00D762652S

(12) **United States Design Patent**
Dörre et al.

(10) **Patent No.:** **US D762,652 S**
(45) **Date of Patent:** **** Aug. 2, 2016**

(54) **MOUNTING SYSTEM FOR MONITORS**

(71) Applicant: **SIEMENS**
AKTIENGESELLSCHAFT, München
(DE)

(72) Inventors: **Helmut Dörre, Nürnberg (DE); Erich**
Moschel, Fürth (DE)

(73) Assignee: **SIEMENS**
AKTIENGESELLSCHAFT, München
(DE)

(**) Term: **14 Years**

(21) Appl. No.: **29/481,934**

(22) Filed: **Feb. 12, 2014**

(30) **Foreign Application Priority Data**

Aug. 15, 2013 (EM) 001380463

(51) **LOC (10) Cl.** **08-07**

(52) **U.S. Cl.**
USPC **D14/452**

(58) **Field of Classification Search**
USPC D14/371–382, 125–129, 336, 337,
D14/447–452, 492, 335, 239, 457, 439–441,
D14/432, 251–253; D8/349, 354, 363, 373,
D8/376, 380; D21/333; D12/415; D3/218;
348/180, 184, 325, 739, 825; 248/323,
248/278.1, 286.1

CPC G06F 3/0412; G06F 3/016; G06F 3/0488;
G06F 3/011; G06F 3/038; G06F 3/03543;
G06F 3/0338; G06F 3/0202; G06F 3/0219;
G06F 3/0213; G06F 1/1616; G06F 3/023;
G06F 3/04883; G02F 1/13338; G02F 1/1313;
G02F 1/1333; G02F 1/135; G02F 1/132;
G02F 1/13308; G02F 1/134309; G02F
1/13718; G09G 3/3648; G06K 15/1252;
B41J 2/465; G03F 7/70291; G02B 27/0172;

G02B 5/30; G02B 2027/0118; G02B 27/0101;
F16M 13/02; F16M 13/00; F16M 11/10;
F16M 11/04; F16M 2200/08; F16M 11/2021;
A47B 21/0314; A47B 88/044; A47B
2021/0335; H02G 3/126; F16B 47/00; F16B
47/006; A47G 1/17; A47K 2201/00

See application file for complete search history.

(56) **References Cited**

U.S. PATENT DOCUMENTS

| | | | | | | |
|-----------|----|---|--------|------------------|-------|-----------|
| D435,852 | S | * | 1/2001 | Odds, Jr. | | D14/452 |
| 6,554,238 | B1 | * | 4/2003 | Hibberd | | 248/278.1 |
| D488,163 | S | * | 4/2004 | Hunt | | D14/452 |
| D496,367 | S | * | 9/2004 | Pfister | | D14/451 |
| 6,899,308 | B2 | * | 5/2005 | Chow et al. | | 248/282.1 |
| D507,477 | S | * | 7/2005 | Pfister | | D8/363 |
| 7,028,961 | B1 | * | 4/2006 | Dittmer et al. | | 248/278.1 |
| D520,017 | S | * | 5/2006 | van Kuijk et al. | | D14/452 |

(Continued)

Primary Examiner — Garth Rademaker

Assistant Examiner — Katie S Mroczka

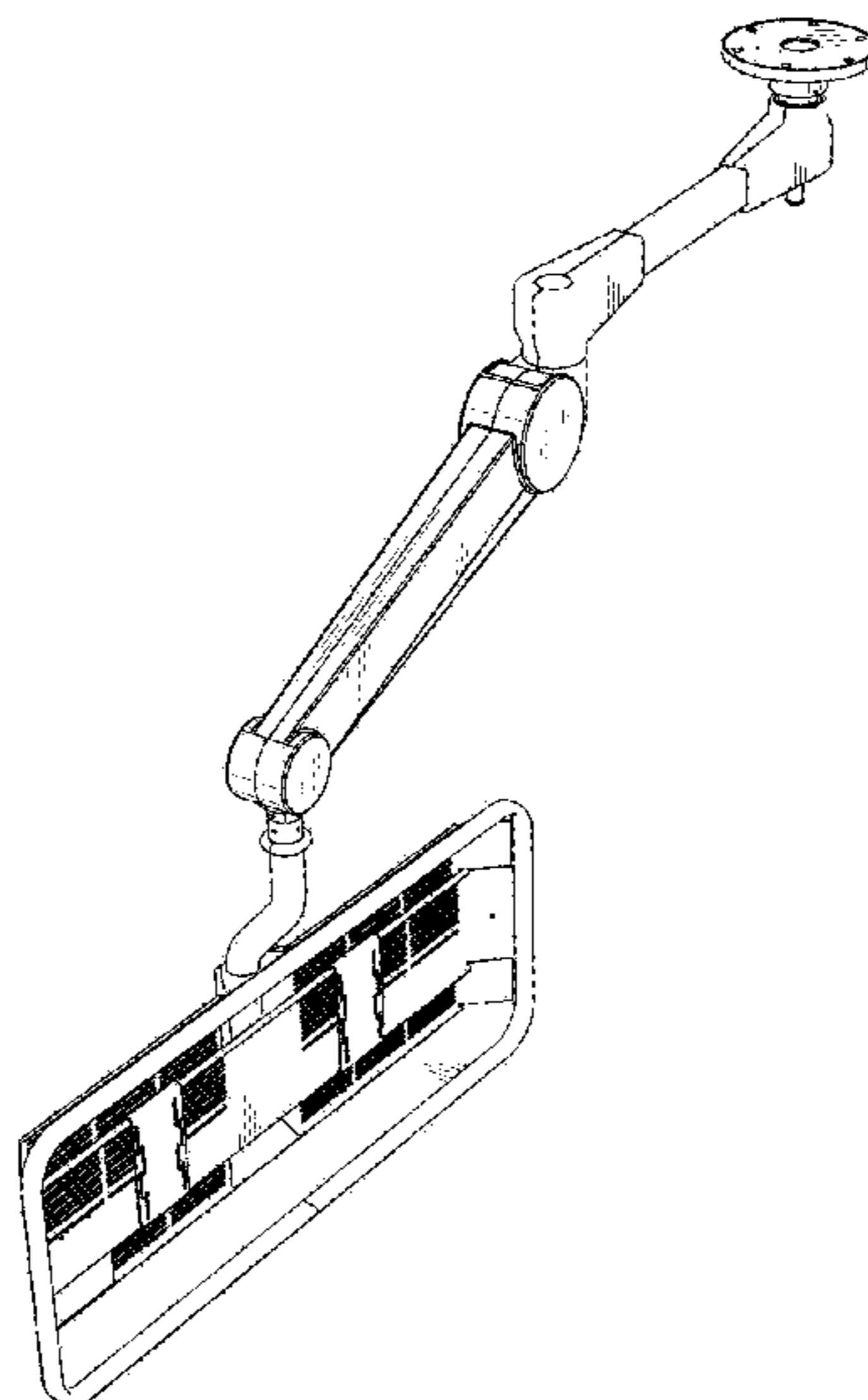
(57) **CLAIM**

We claim the ornamental design for a mounting system for monitors, as shown and described.

DESCRIPTION

FIG. 1 is a front view of a mounting system for monitors
FIG. 2 is a rear view of a mounting system for monitors
FIG. 3 is a top view of a mounting system for monitors
FIG. 4 is a bottom view of a mounting system for monitors
FIG. 5 is a view from the right side of a mounting system for monitors
FIG. 6 is a view from the left side of a mounting system for monitors; and,
FIG. 7 is a perspective view of a mounting system for monitors.

1 Claim, 7 Drawing Sheets



(56)

References Cited

U.S. PATENT DOCUMENTS

D521,990 S * 5/2006 Richter D14/253
 7,207,537 B2 * 4/2007 Hung 248/284.1
 D549,709 S * 8/2007 Richter D14/447
 D556,205 S * 11/2007 Wohlford et al. D14/452
 D559,662 S * 1/2008 Sculler et al. D8/380
 7,338,022 B2 * 3/2008 Hung 248/278.1
 D570,853 S * 6/2008 Derry et al. D14/452
 D584,734 S * 1/2009 Chu D14/452
 D602,025 S * 10/2009 Richter D14/447
 D619,586 S * 7/2010 Richter D14/447
 D619,587 S * 7/2010 Richter D14/447
 D630,623 S * 1/2011 Molter et al. D14/239
 D636,765 S * 4/2011 Molter et al. D14/239
 D651,199 S * 12/2011 Huang D14/239

D652,030 S * 1/2012 Dolack D14/239
 8,104,728 B2 * 1/2012 Chen 248/286.1
 D660,843 S * 5/2012 Kaluza D14/452
 D662,104 S * 6/2012 Brandt D14/452
 8,254,092 B2 * 8/2012 Russell et al. 361/679.01
 D679,282 S * 4/2013 Liu et al. D14/452
 8,469,323 B1 * 6/2013 Deros et al. 248/278.1
 8,717,506 B2 * 5/2014 Austin et al. 348/836
 D709,074 S * 7/2014 Tsui et al. D14/447
 8,827,226 B2 * 9/2014 Townsend et al. 248/323
 8,931,748 B2 * 1/2015 Bowman et al. 248/280.11
 2006/0022102 A1 * 2/2006 Dittmer 248/276.1
 2006/0273231 A1 * 12/2006 Huang 248/371
 2008/0029661 A1 * 2/2008 Chen 248/176.1
 2008/0067317 A1 * 3/2008 Altonji et al. 248/604
 2013/0161465 A1 * 6/2013 Huang 248/278.1

* cited by examiner

FIG 1

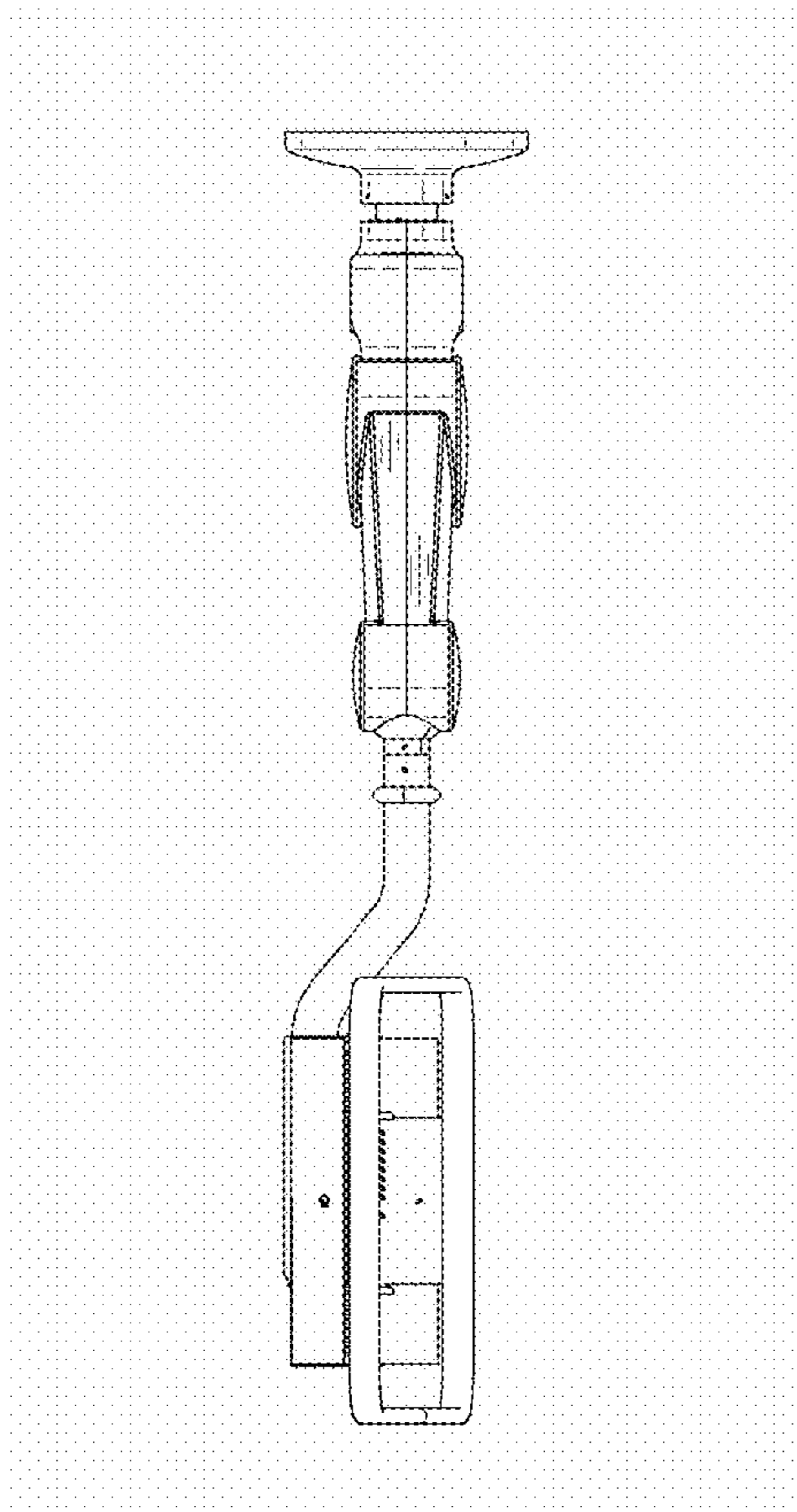


FIG 2

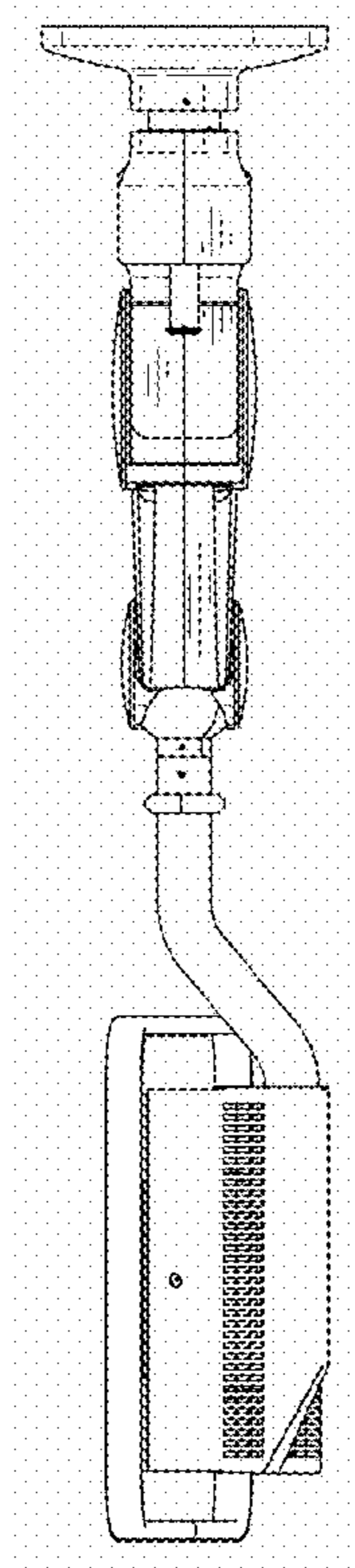


FIG 3

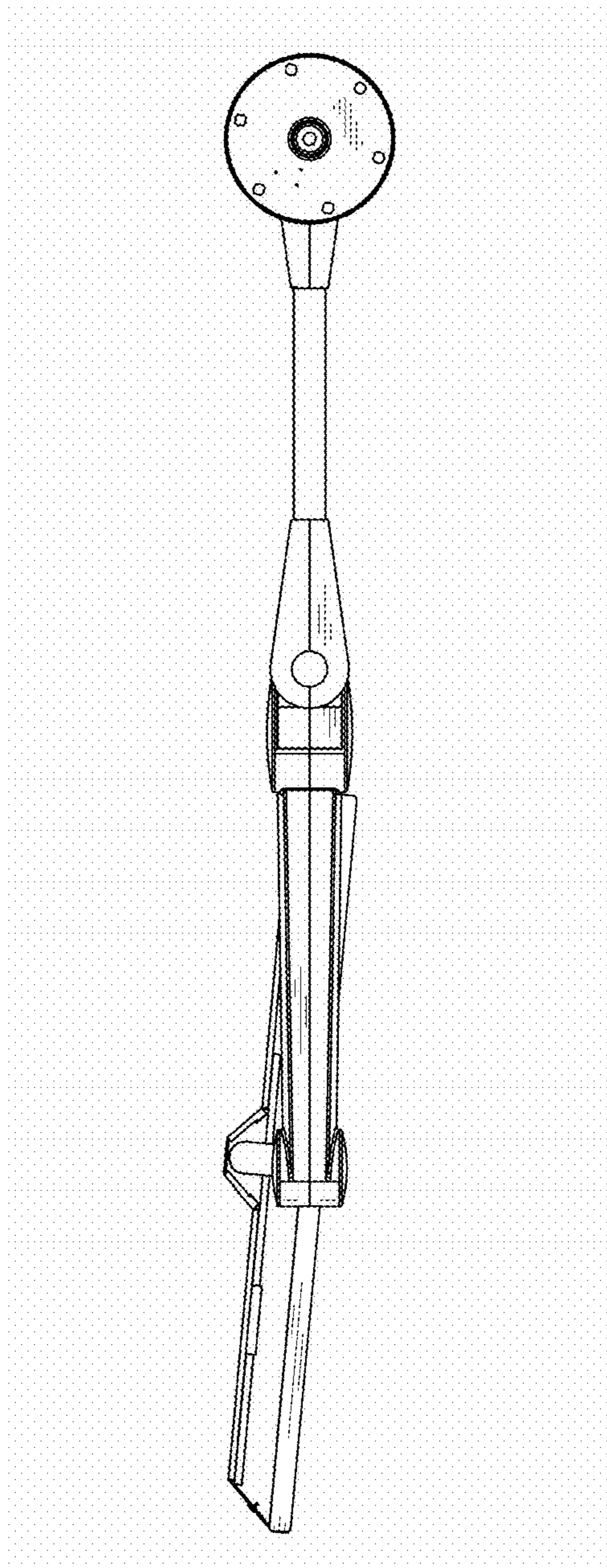


FIG 4

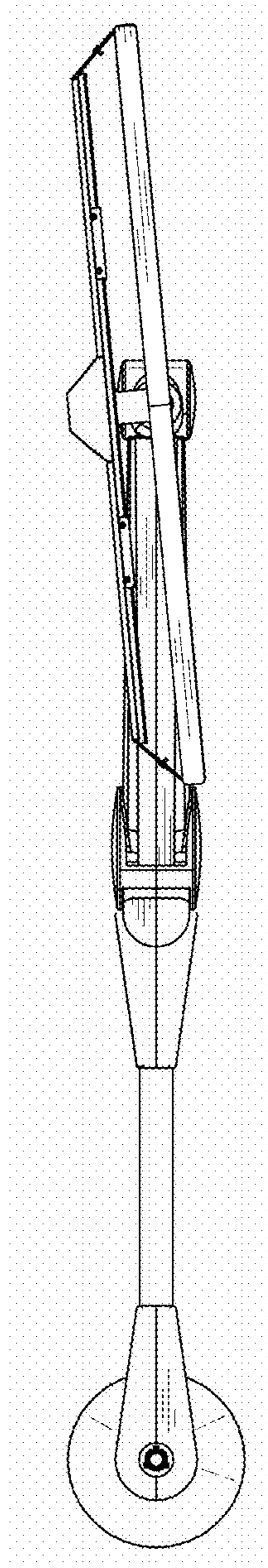


FIG 5

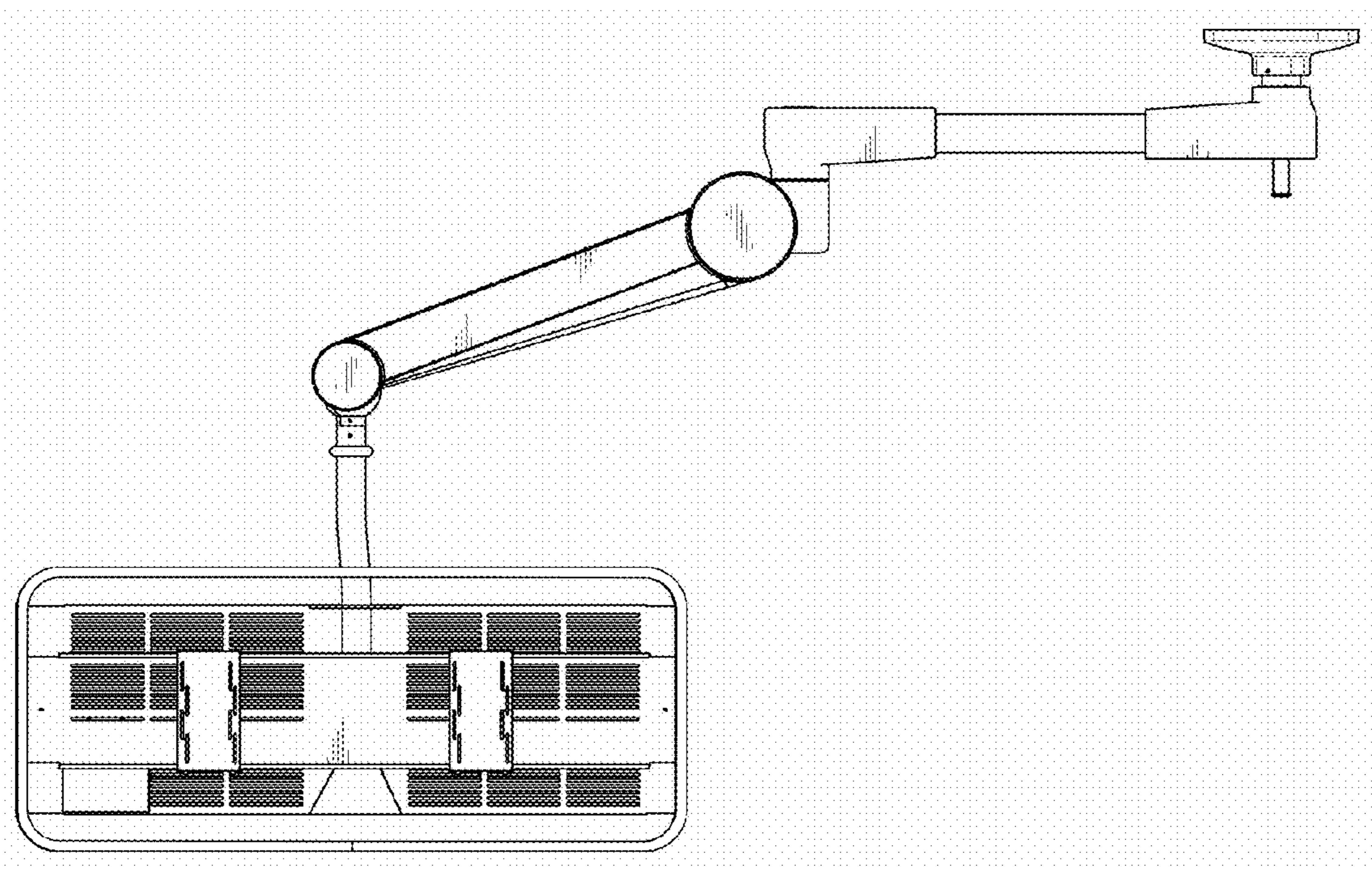


FIG 6

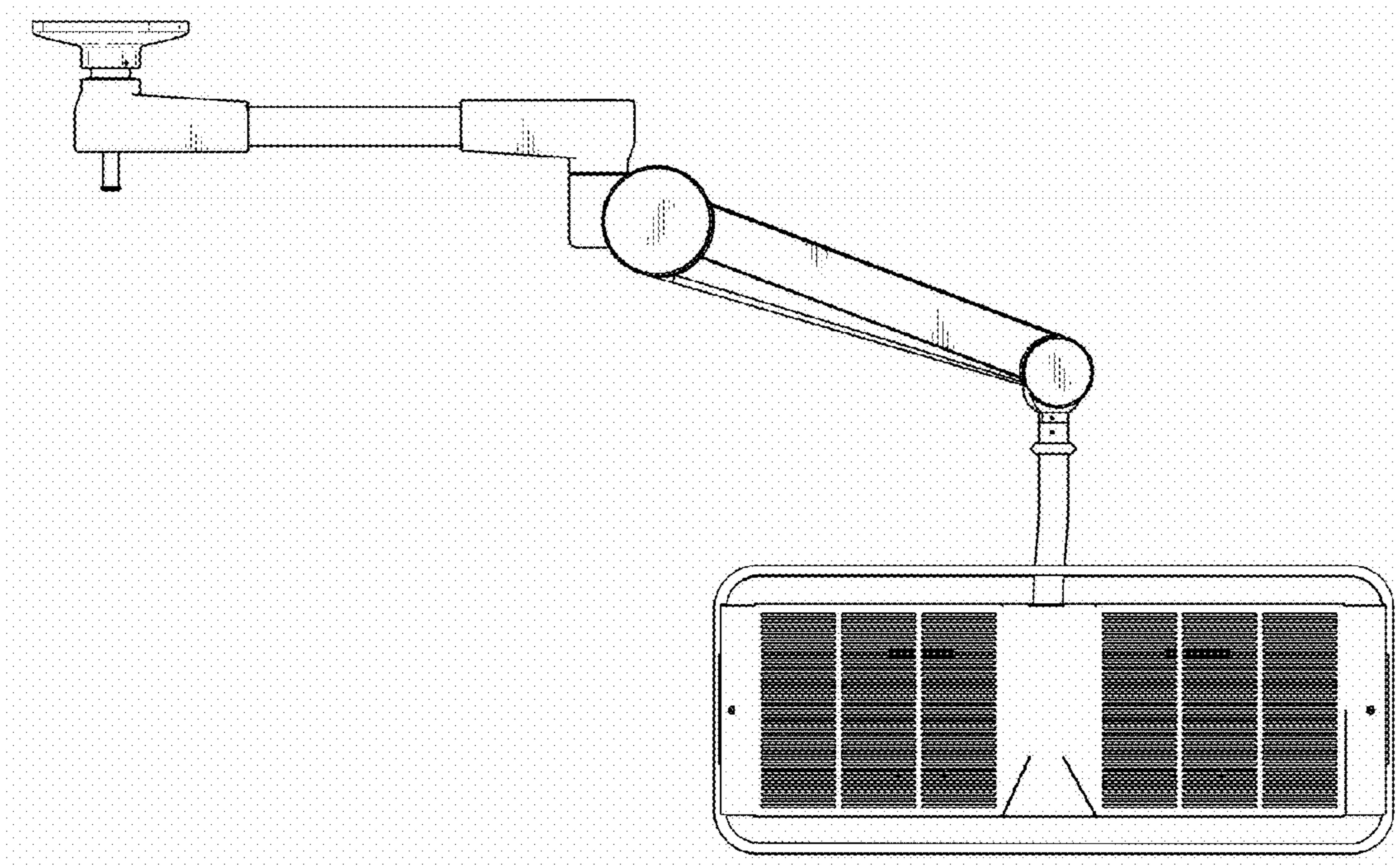


FIG 7

