



US00D762650S

(12) **United States Design Patent**  
**Dang et al.**

(10) **Patent No.:** **US D762,650 S**  
(45) **Date of Patent:** **\*\* Aug. 2, 2016**

(54) **WATCH DOCK**  
(71) Applicant: **Mophie, Inc.**, Tustin, CA (US)  
(72) Inventors: **Dat Dang**, Westminster, CA (US);  
**Nguyen To**, Corona, CA (US)  
(73) Assignee: **mophie, inc.**, Tustin, CA (US)  
(\*\*) Term: **14 Years**  
(21) Appl. No.: **29/522,528**  
(22) Filed: **Mar. 31, 2015**  
(51) **LOC (10) Cl.** ..... **14-02**  
(52) **U.S. Cl.**  
USPC ..... **D14/434**  
(58) **Field of Classification Search**  
USPC ..... D14/432-434, 314, 204, 420, 421, 447,  
D14/217, 358, 138 R, 140, 142, 253, 356;  
D13/107, 108, 146; D8/373;  
248/346.03, 176.1; 361/679.41,  
361/679.31, 679.32, 679.4, 679.43, 679.55,  
361/679.58, 679.33; 320/107, 109,  
320/112-115; 710/15, 303; 455/557;  
439/347, 534  
CPC ..... H02J 7/0042; H02J 7/00; H02J 7/025;  
H02J 7/0044; H02J 7/0045; H01R 31/065;  
H01R 13/6675; H01M 10/44; F16M 11/10;  
Y02E 60/12; Y02T 90/14; Y02T 90/122;  
Y02T 90/128; Y02T 90/163; G06F 1/1654  
See application file for complete search history.

D469,774 S \* 2/2003 Bradley ..... D14/434  
D536,693 S \* 2/2007 Komiyama ..... D14/211  
D588,141 S \* 3/2009 Heggland ..... D14/434  
D609,238 S \* 2/2010 Kobayashi ..... D14/434  
D638,406 S \* 5/2011 Chiang ..... D14/224  
8,497,659 B2 \* 7/2013 Navid ..... H02J 7/0045  
320/108

**OTHER PUBLICATIONS**

“Charging Stand for Apple Watch,” Webpage archive of <http://www.dodocase.com/product/apple-watch-charging-stand>, dated Sep. 20, 2014.

\* cited by examiner

*Primary Examiner* — Freda S Nunn

(74) *Attorney, Agent, or Firm* — Knobbe, Martens, Olson & Bear, LLP

(57) **CLAIM**

The ornamental design for a watch dock, as shown and described.

**DESCRIPTION**

FIG. 1 is a top-front perspective view of the design for a watch dock;

FIG. 2 is a bottom-rear perspective view thereof;

FIG. 3 is a front view thereof;

FIG. 4 is a rear view thereof;

FIG. 5 is a right-side view thereof;

FIG. 6 is a left-side view thereof;

FIG. 7 is a top view thereof; and,

FIG. 8 is a bottom view thereof.

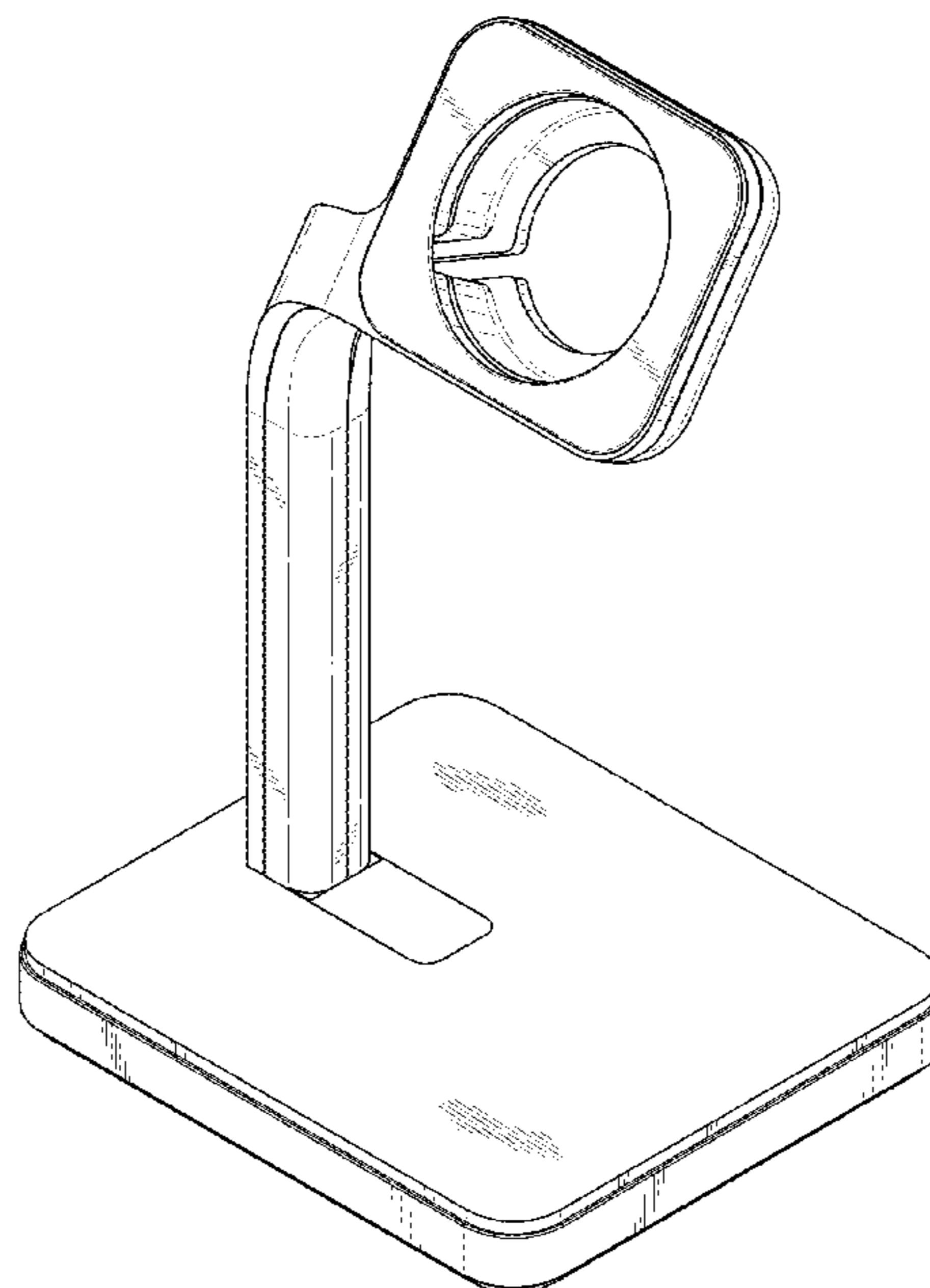
The broken line portions in the drawings are shown to illustrate environment only and form no part of the claimed design.

(56) **References Cited**

**U.S. PATENT DOCUMENTS**

D412,331 S \* 7/1999 Nakamura ..... D14/155  
D416,536 S \* 11/1999 Ross ..... D13/107

**1 Claim, 8 Drawing Sheets**



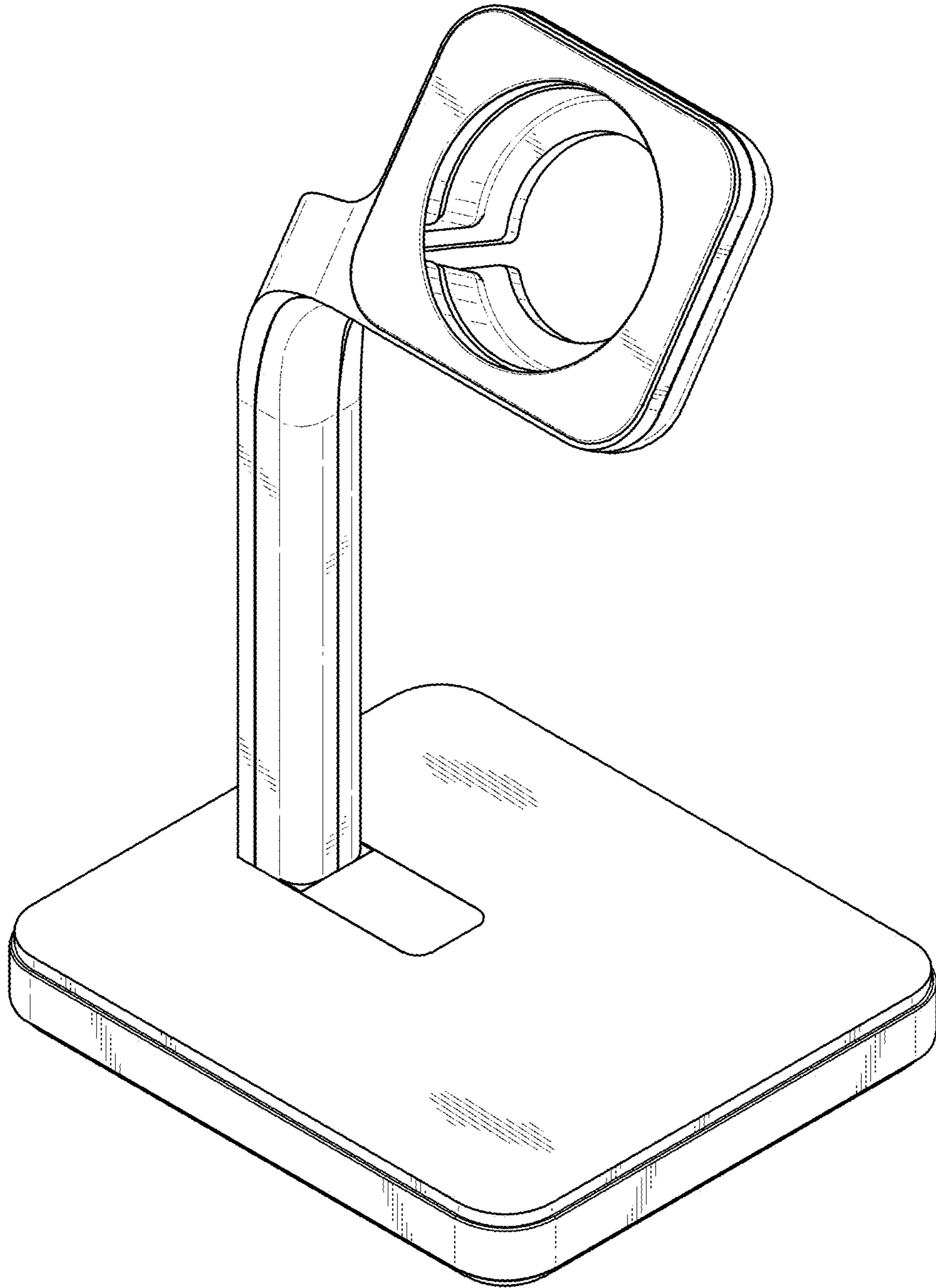


FIG. 1

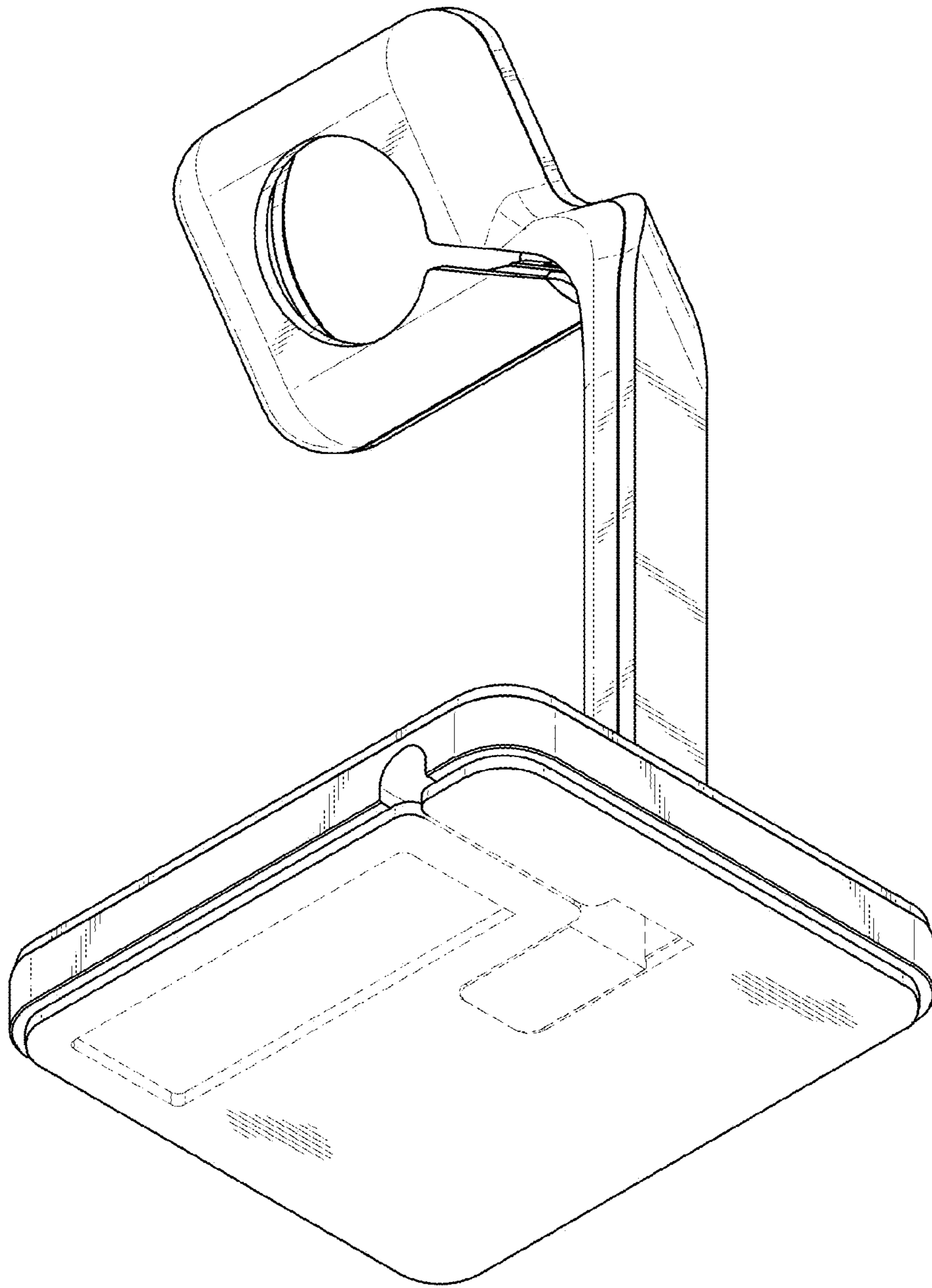


FIG. 2

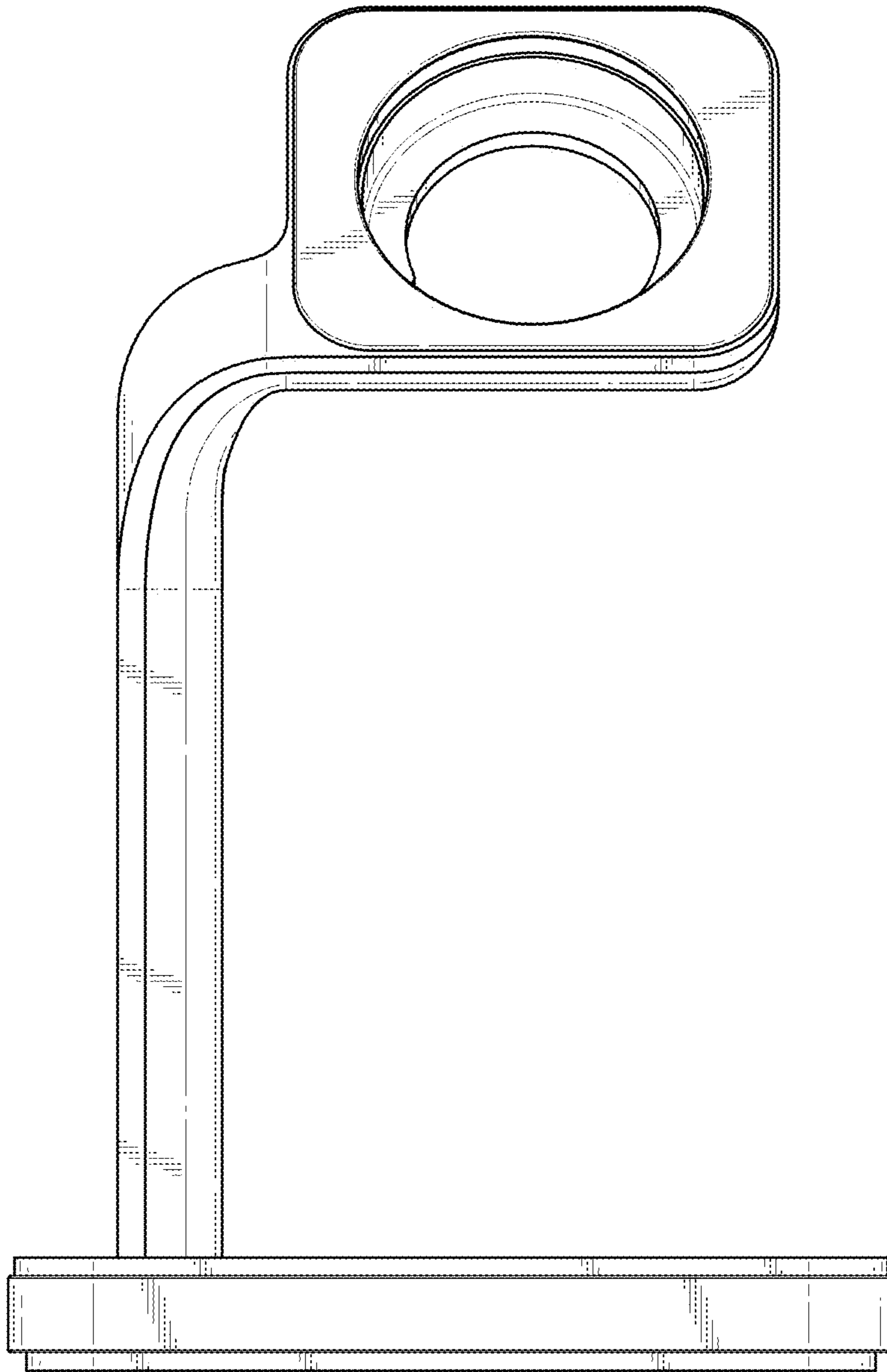


FIG. 3

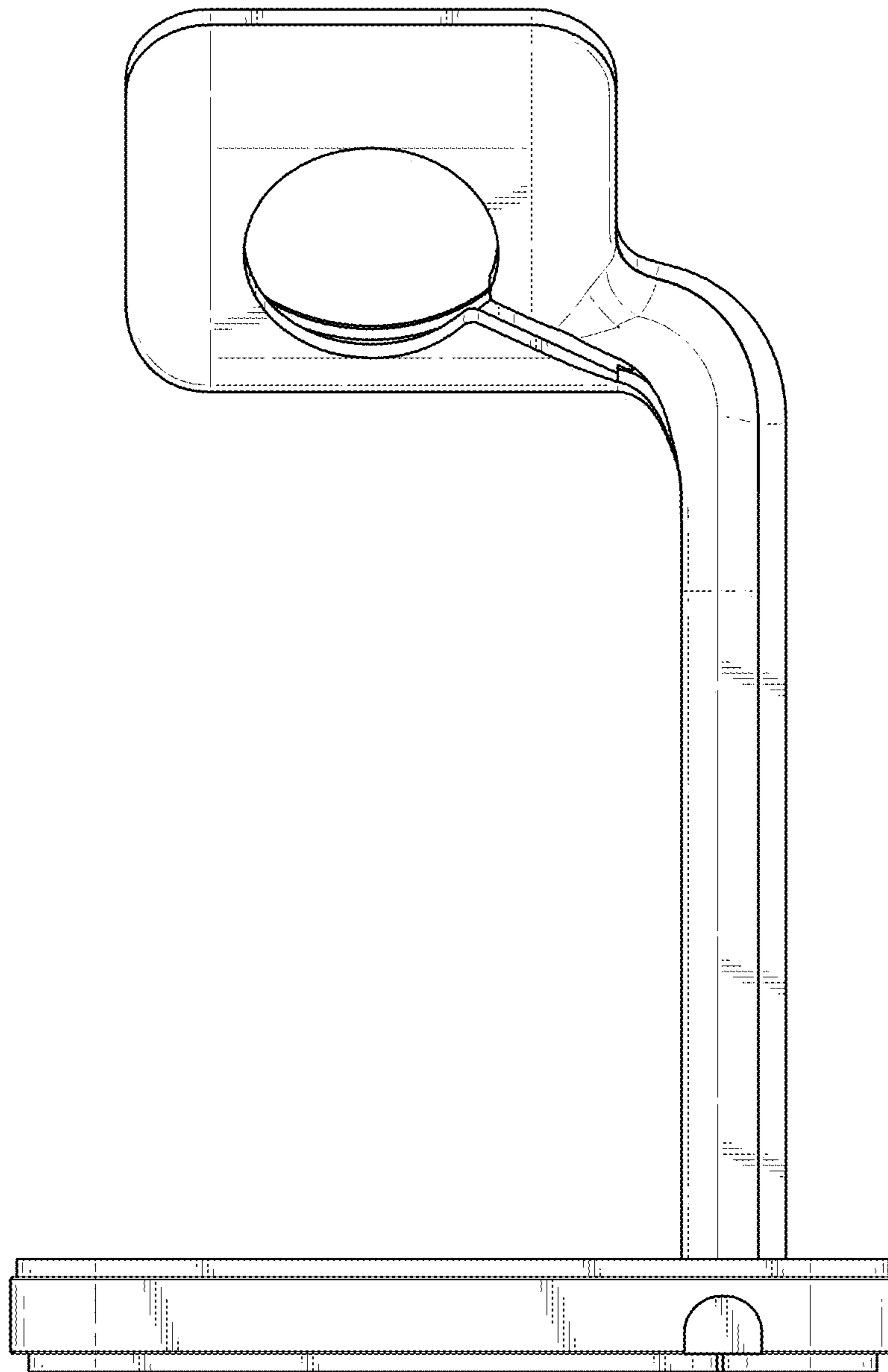


FIG. 4

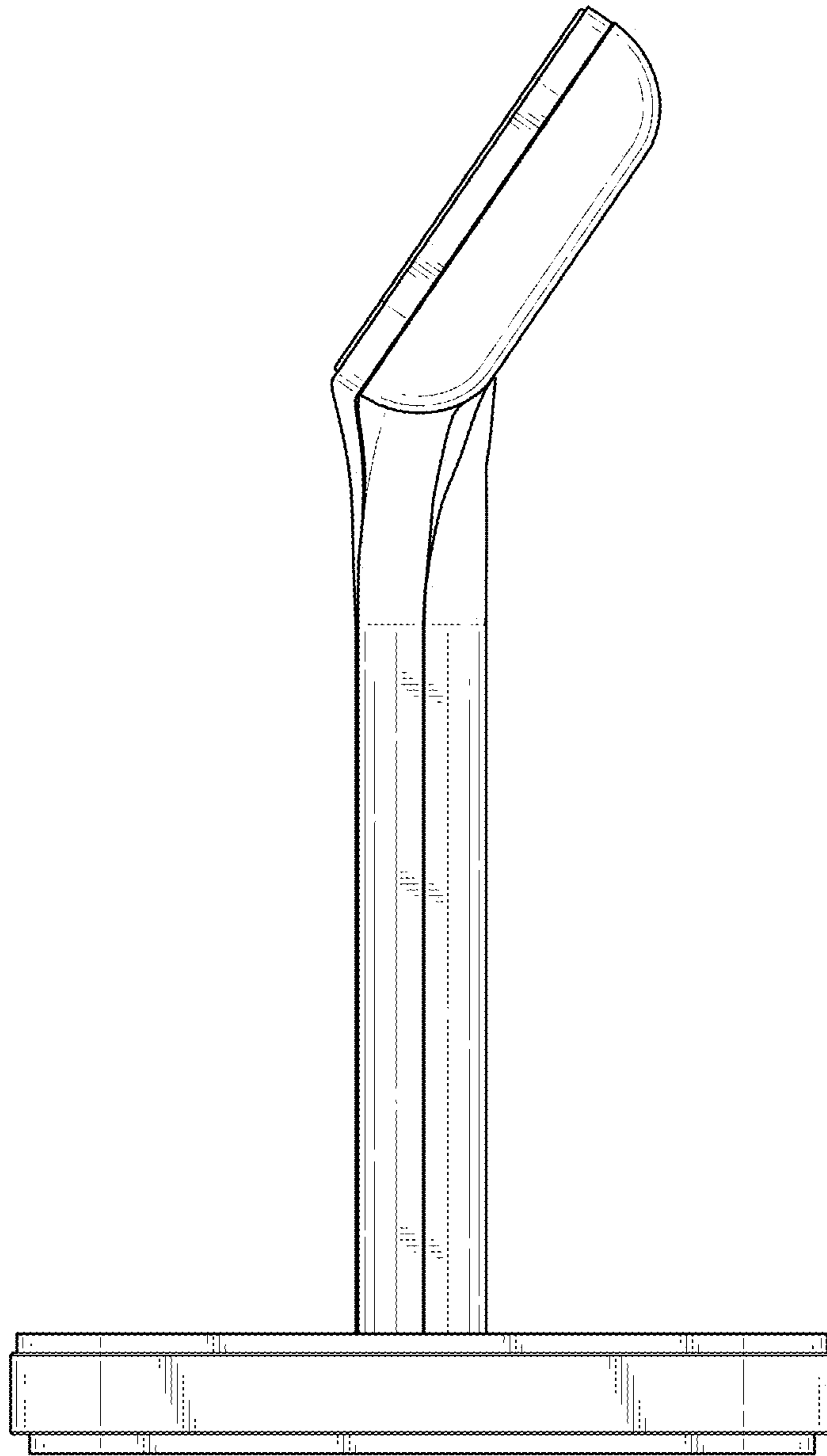


FIG. 5

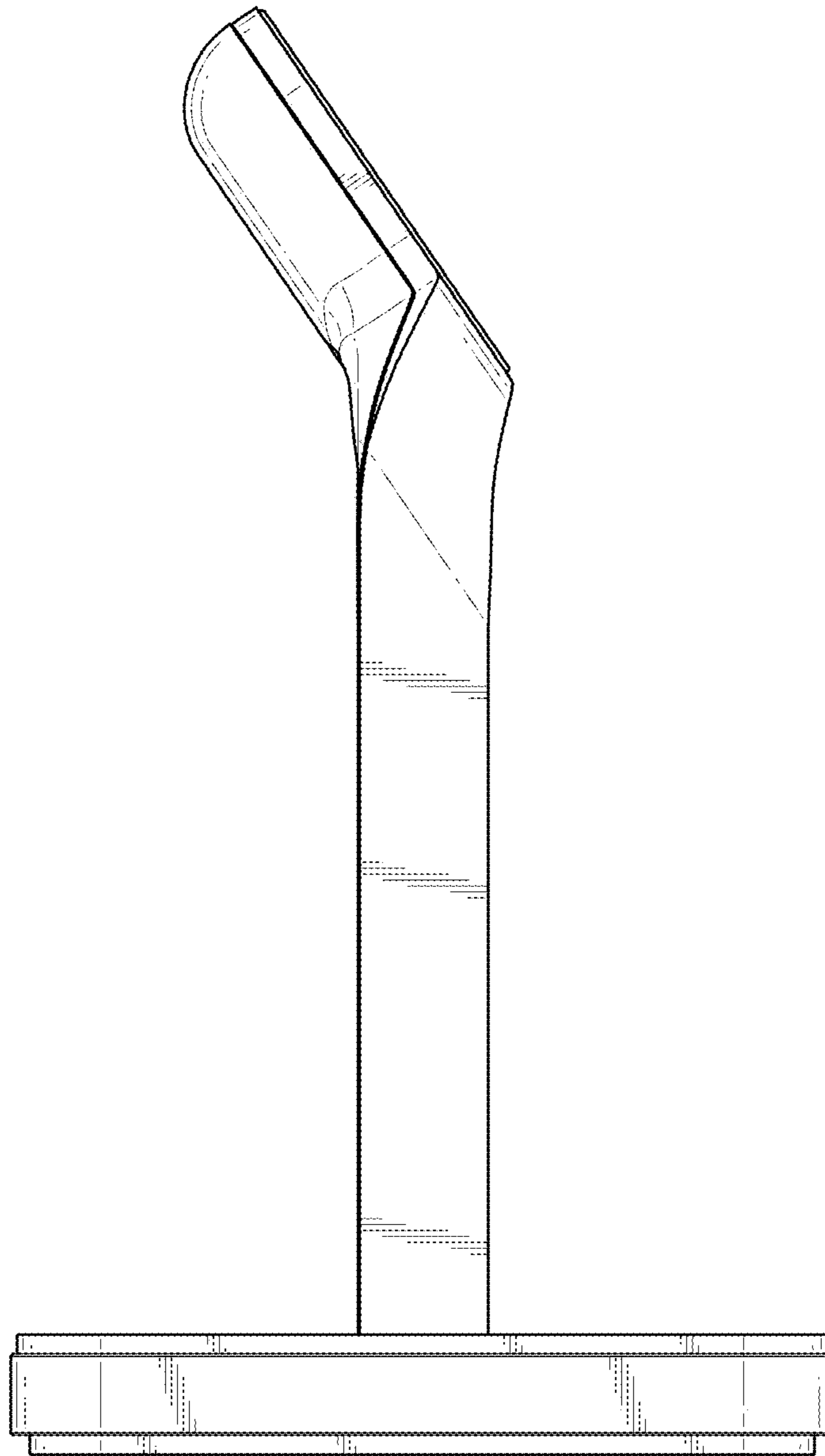


FIG. 6

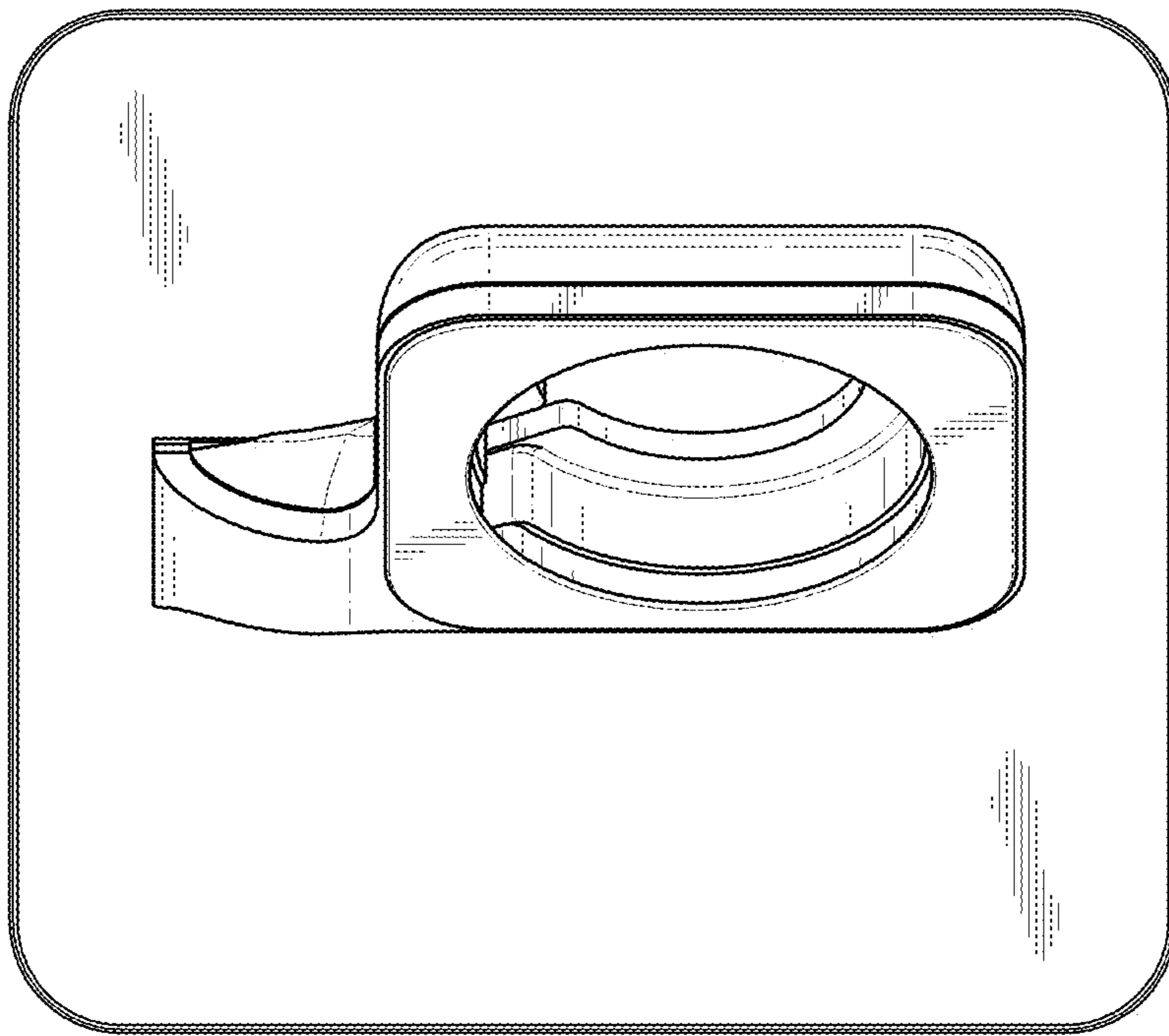


FIG. 7



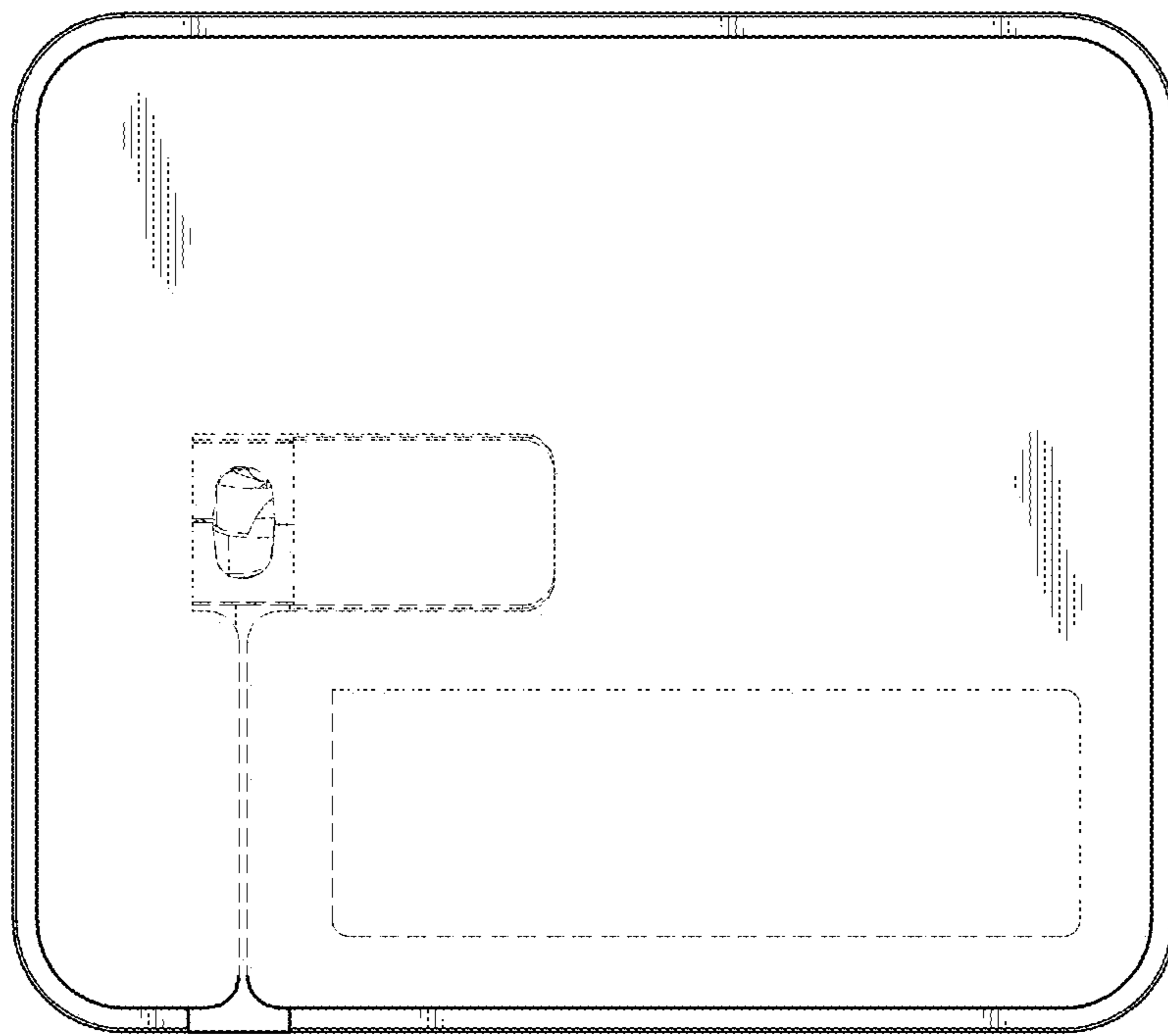


FIG. 8