



US00D762648S

(12) **United States Design Patent**
Akana et al.

(10) **Patent No.:** **US D762,648 S**

(45) **Date of Patent:** **** Aug. 2, 2016**

(54) **DISPLAY STAND AND ELECTRONIC DEVICE**

(71) Applicant: **Apple Inc.**, Cupertino, CA (US)

(72) Inventors: **Jody Akana**, San Francisco, CA (US);
Bartley K. Andre, Palo Alto, CA (US);
Shota Aoyagi, San Francisco, CA (US);
Anthony Michael Ashcroft, San Francisco, CA (US);
Jeremy Bataillou, San Francisco, CA (US);
Daniel J. Coster, San Francisco, CA (US);
Daniele De Iuliis, San Francisco, CA (US);
M. Evans Hankey, San Francisco, CA (US);
Julian Hoenig, San Francisco, CA (US);
Richard P. Howarth, San Francisco, CA (US);
Jonathan P. Ive, San Francisco, CA (US);
Duncan Robert Kerr, San Francisco, CA (US);
Matthew Dean Rohrbach, San Francisco, CA (US);
Peter Russell-Clarke, San Francisco, CA (US);
Benjamin Andrew Shaffer, San Jose, CA (US);
Mikael Silvanto, San Francisco, CA (US);
Christopher J. Stringer, Woodside, CA (US);
Eugene Antony Whang, San Francisco, CA (US);
Rico Zörkendörfer, San Francisco, CA (US)

(73) Assignee: **Apple Inc.**, Cupertino, CA (US)

(**) Term: **14 Years**

(21) Appl. No.: **29/501,043**

(22) Filed: **Aug. 29, 2014**

(51) **LOC (10) Cl.** **14-02**

(52) **U.S. Cl.**
USPC **D14/434**; D14/447; D14/451

(58) **Field of Classification Search**
USPC D14/432-434, 314, 447, 217, 358, 496,
D14/341-346; D13/107, 108, 146; D10/30,
D10/70; 248/346.03, 176.1; 361/679.41,

361/679.31, 679.32, 679.4, 679.43, 679.55,
361/679.58, 679.33; 320/109, 112-115;
710/15, 303; 455/557; 439/347, 534;
D11/3

CPC H02J 7/0042; H02J 7/00; H01R 31/065;
H01M 10/44; H04B 1/03; H04B 1/385;
H01H 2223/04; G04G 17/083; G06F 1/163;
F16M 11/10

See application file for complete search history.

(56) **References Cited**

U.S. PATENT DOCUMENTS

D284,084 S 6/1986 Ferrara, Jr.
D295,748 S 5/1988 Day et al.
4,862,151 A * 8/1989 Grauz G06F 3/03547
178/18.01

(Continued)

Primary Examiner — Freda S Nunn

(74) *Attorney, Agent, or Firm* — Sterne, Kessler, Goldstein & Fox P.L.L.C.

(57) **CLAIM**

The ornamental design for a display stand and electronic device, as shown and described.

DESCRIPTION

FIG. 1 is top front perspective view of a display stand and electronic device showing our new design;

FIG. 2 is a front view thereof;

FIG. 3 is a rear view thereof;

FIG. 4 is a right side view thereof;

FIG. 5 is a left side view thereof;

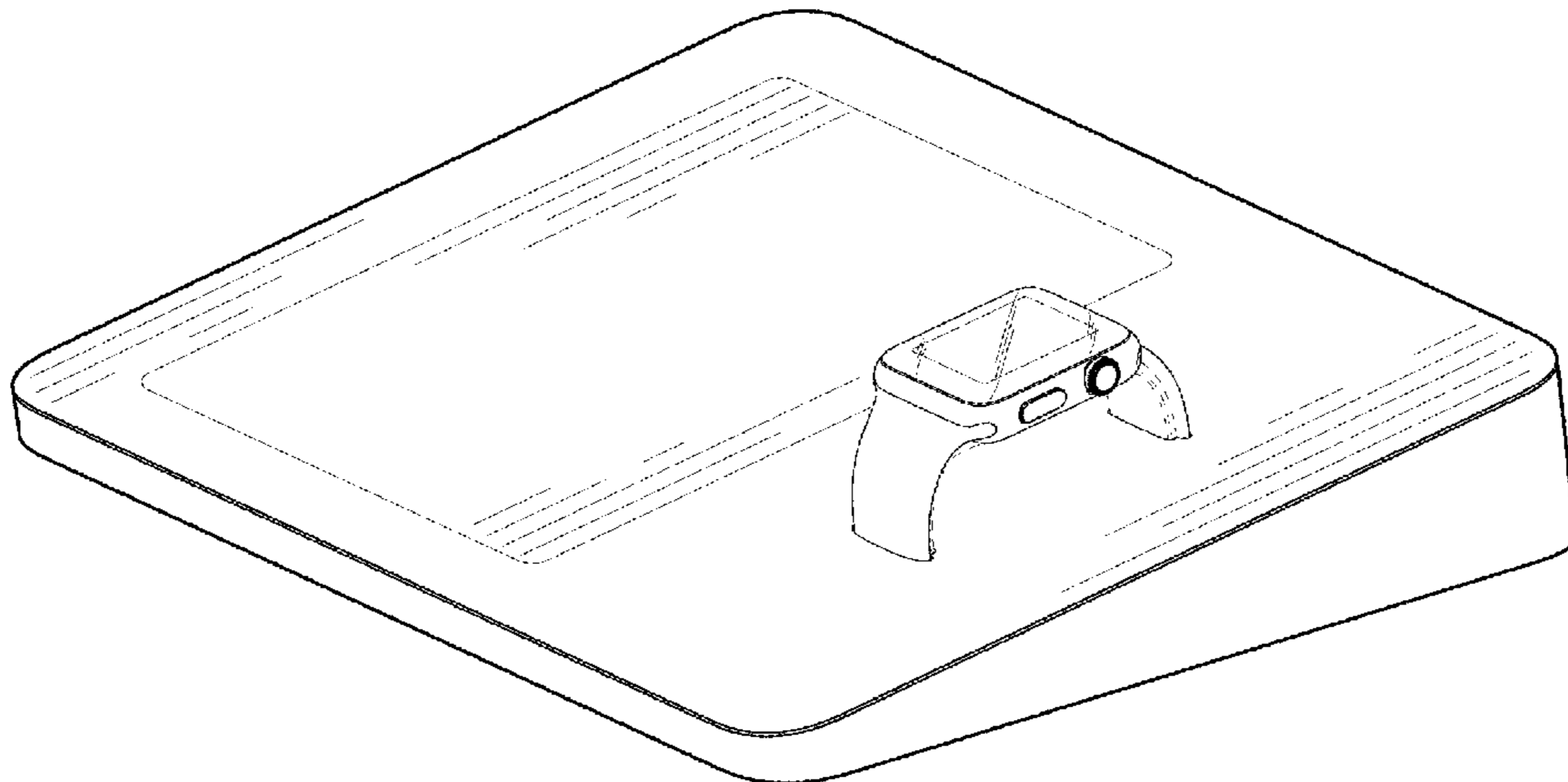
FIG. 6 is a top view thereof; and,

FIG. 7 is a bottom view thereof.

The broken lines in the Figures show portions of the display stand and electronic device that form no part of the claimed design. The shade lines in the Figures show contour and not surface ornamentation.

The oblique shade lines in the Figures show a transparent, reflective, or shiny surface, and not surface ornamentation.

1 Claim, 4 Drawing Sheets



(56)

References Cited

U.S. PATENT DOCUMENTS

D318,961 S	8/1991	Edelson		D626,129 S	10/2010	Lutz	
D319,434 S *	8/1991	Lund	D14/341	D627,777 S	11/2010	Akana et al.	
D337,322 S	7/1993	Yang		D637,596 S	5/2011	Akana et al.	
D338,685 S	8/1993	Dakich		D637,601 S	5/2011	Symons	
D339,537 S	9/1993	Willnauer et al.		D639,267 S	6/2011	DeLorenzo et al.	
5,280,229 A	1/1994	Faude et al.		D642,121 S	7/2011	Lee et al.	
D392,474 S	3/1998	Frasketi		D642,172 S	7/2011	Akana et al.	
D392,958 S	3/1998	Gaete		D643,433 S	8/2011	Hsieh et al.	
D414,166 S	9/1999	De Paris		D651,606 S	1/2012	Luijben	
D442,939 S	5/2001	Goldenburg		D661,308 S	6/2012	Capozzoli	
D450,707 S	11/2001	Francavilla et al.		D662,100 S	6/2012	Van Den Nieuwenhuizen et al.	
D483,771 S	12/2003	Esswein		D670,692 S	11/2012	Akana et al.	
D488,440 S	4/2004	Senda		D673,571 S	1/2013	Akana et al.	
D495,336 S *	8/2004	Andre	D14/434	D673,572 S *	1/2013	Akana	D14/447
D502,179 S	2/2005	Cha et al.		D673,952 S *	1/2013	Toda	D14/383
D527,018 S	8/2006	Christianson		D687,441 S	8/2013	Janzen	
D543,183 S	5/2007	Cho et al.		D688,671 S	8/2013	Avganim	
D555,655 S	11/2007	Iu		D690,137 S *	9/2013	Kikkert	D6/672
D583,821 S	12/2008	Richter		D690,138 S	9/2013	Kikkert et al.	
D585,056 S *	1/2009	Ekelund	D14/336	D692,420 S	10/2013	McManigal et al.	
D587,703 S	3/2009	Yoon		D708,270 S	7/2014	Heirakuji et al.	
D596,618 S	7/2009	Zha		2006/0250764 A1 *	11/2006	Howarth	G06F 1/1632 361/679.41
D599,792 S	9/2009	Lin		2009/0156255 A1 *	6/2009	Shin	H04B 1/385 455/558
D618,614 S	6/2010	Symons		2014/0028688 A1 *	1/2014	Houjou	G09G 5/006 345/520
D623,188 S	9/2010	Son et al.					

* cited by examiner

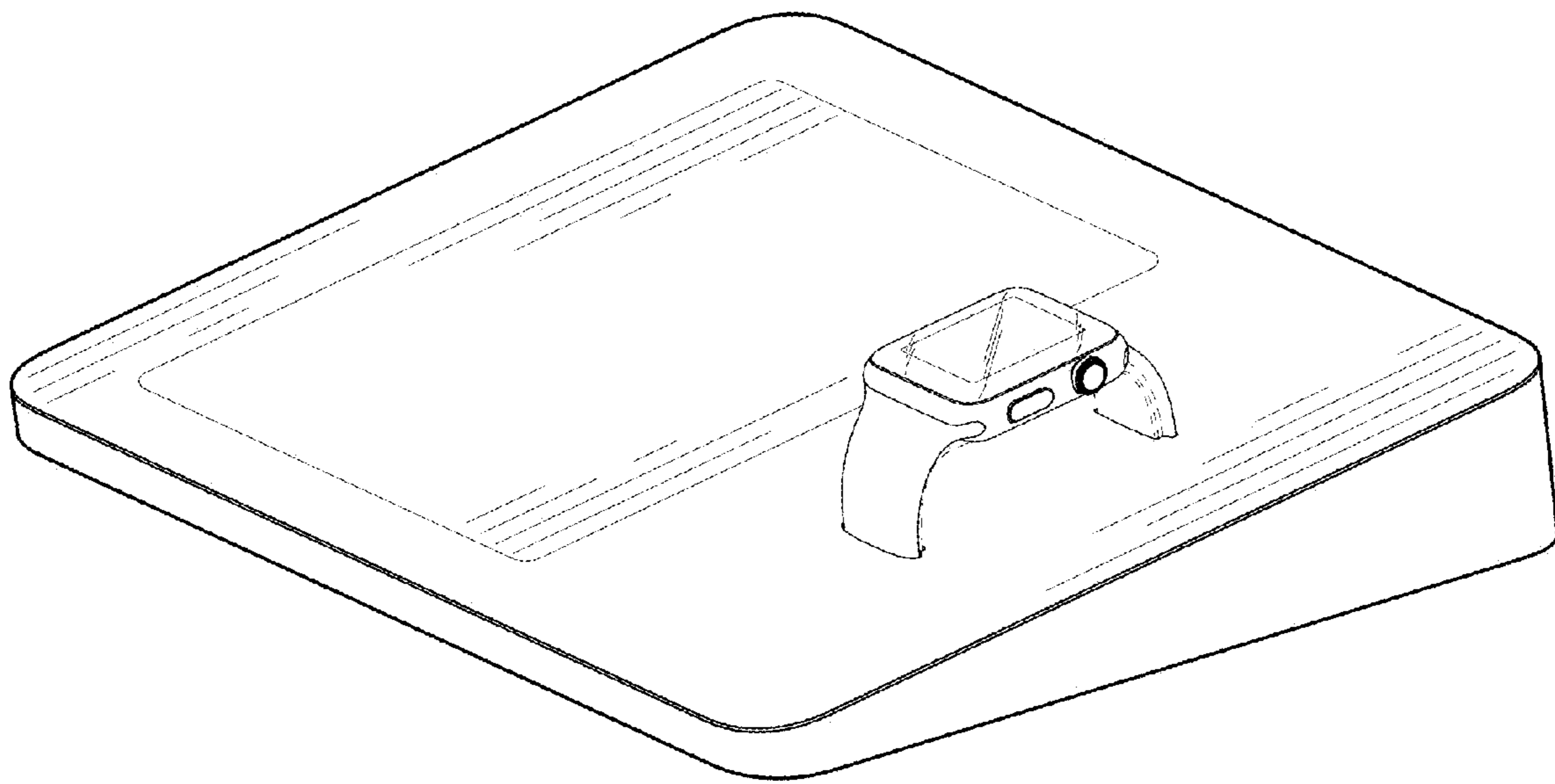


FIG. 1

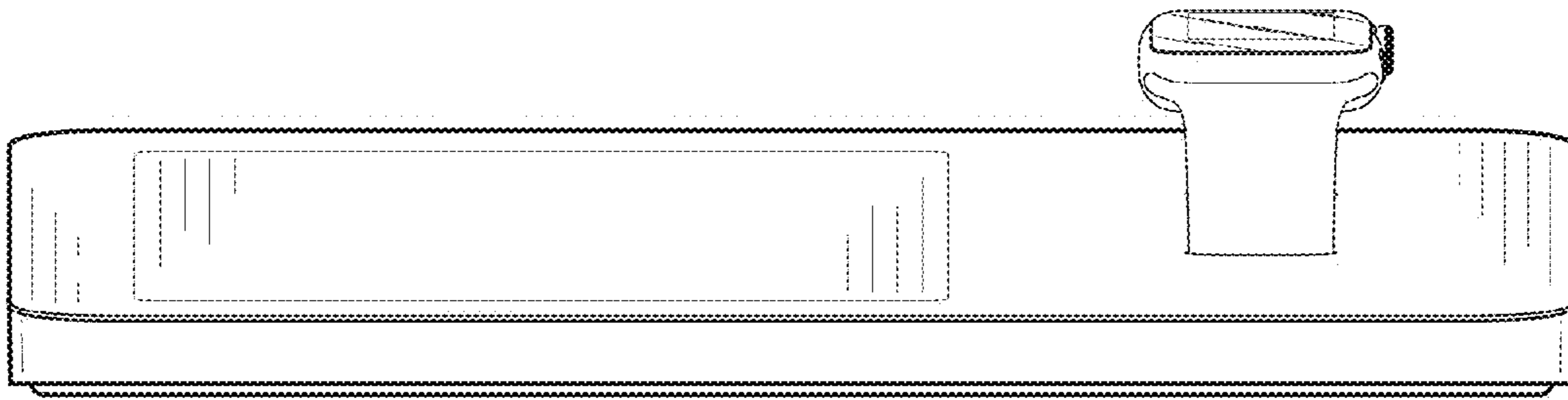


FIG. 2

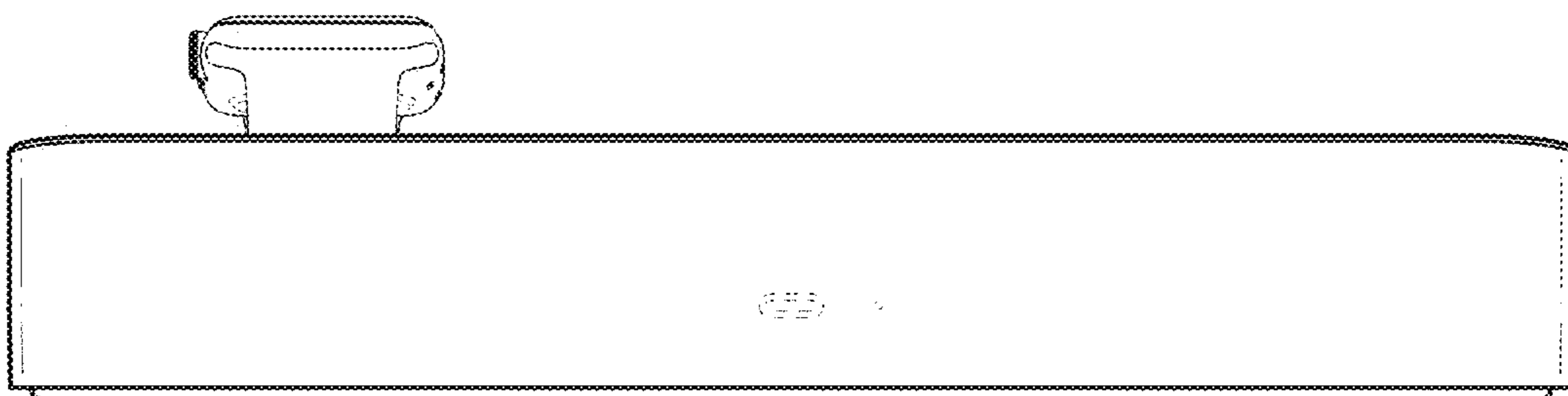


FIG. 3

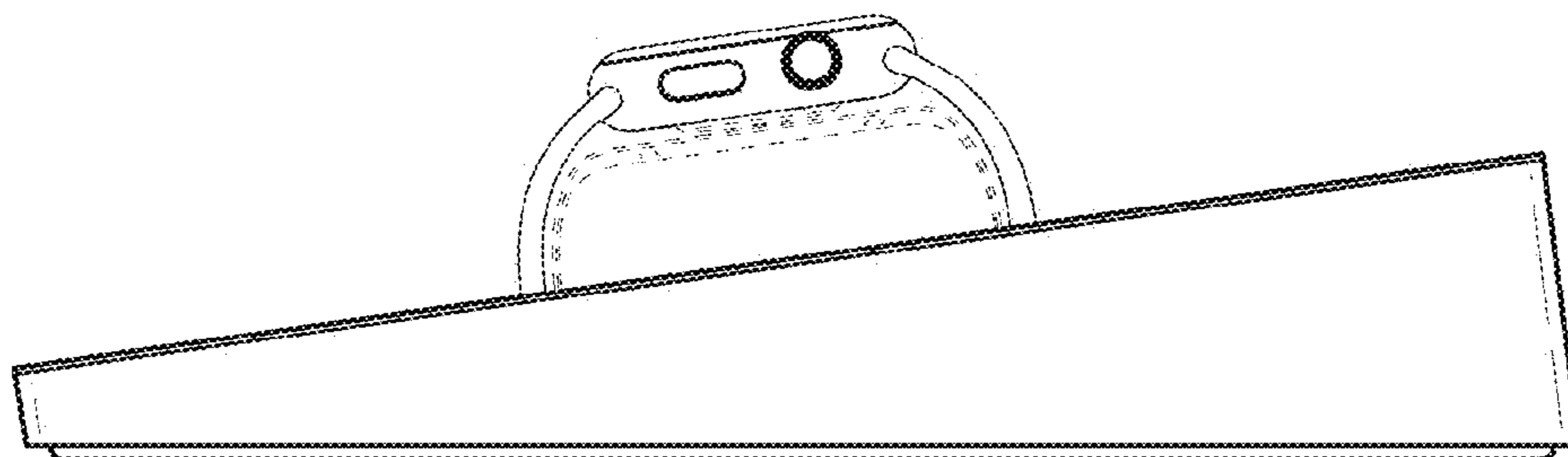


FIG. 4

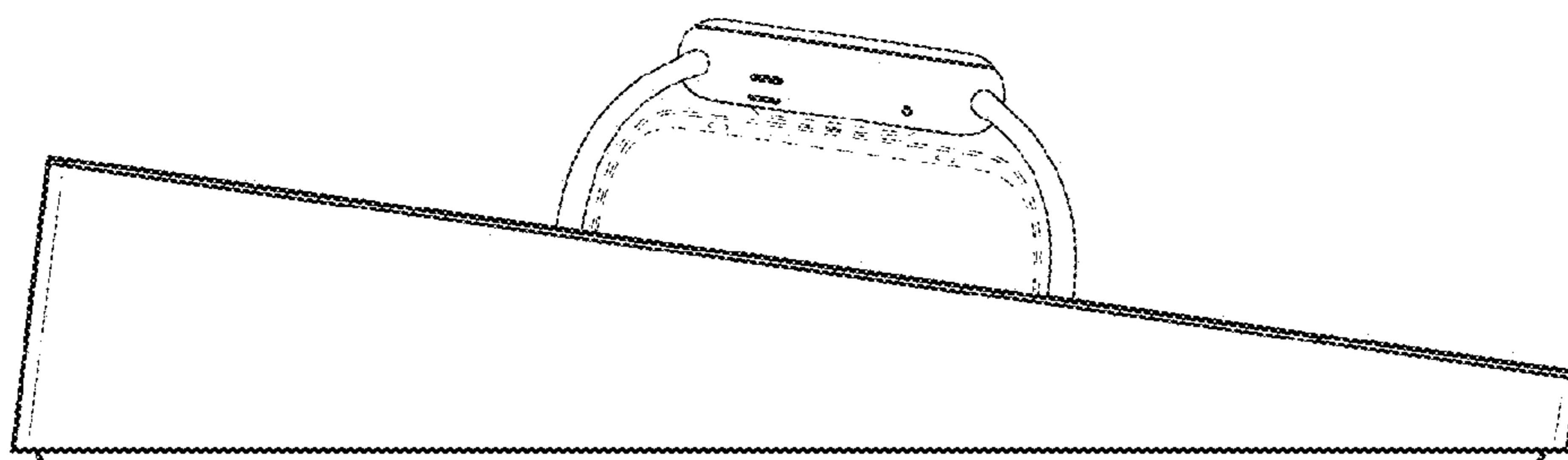


FIG. 5

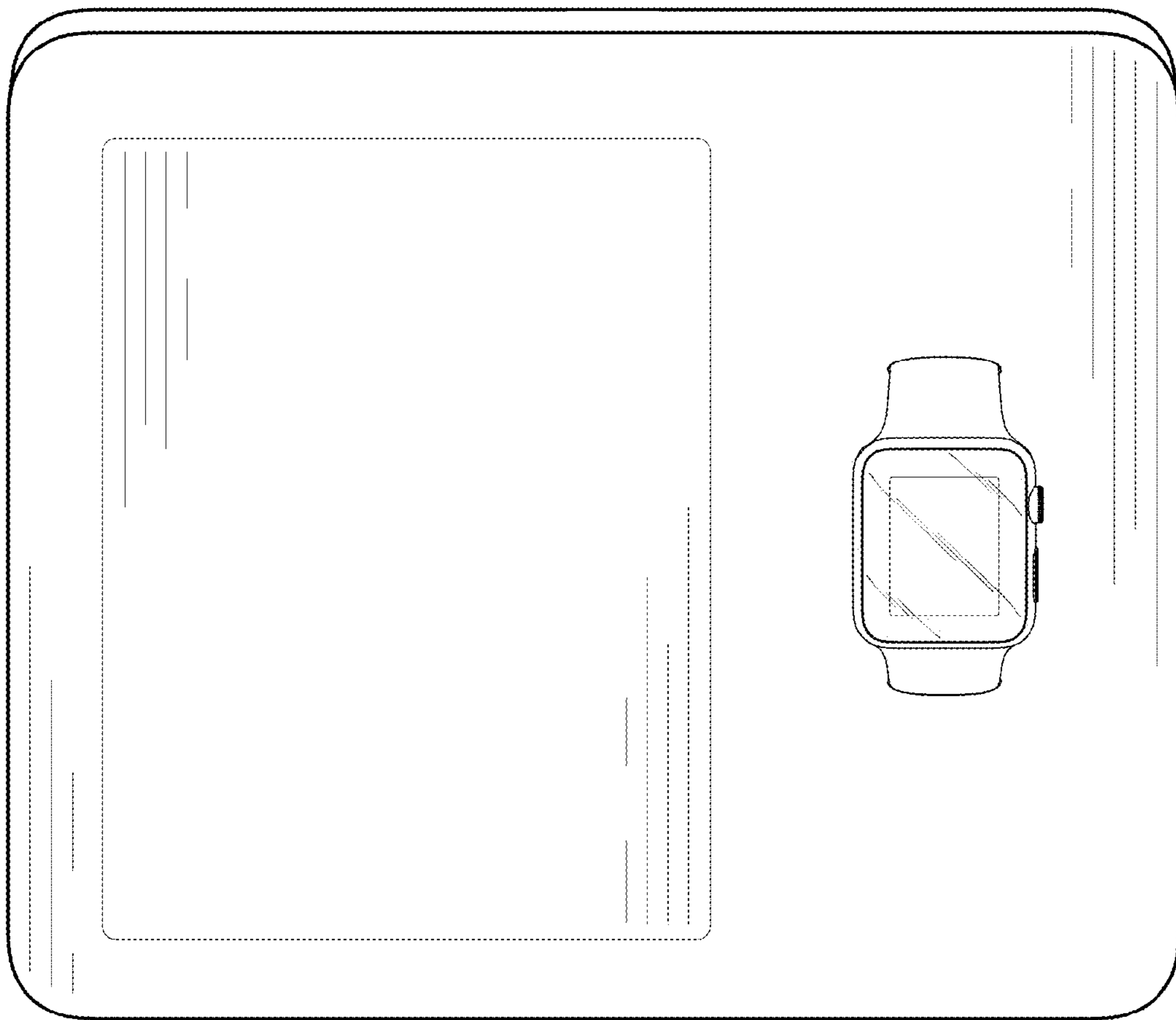


FIG. 6

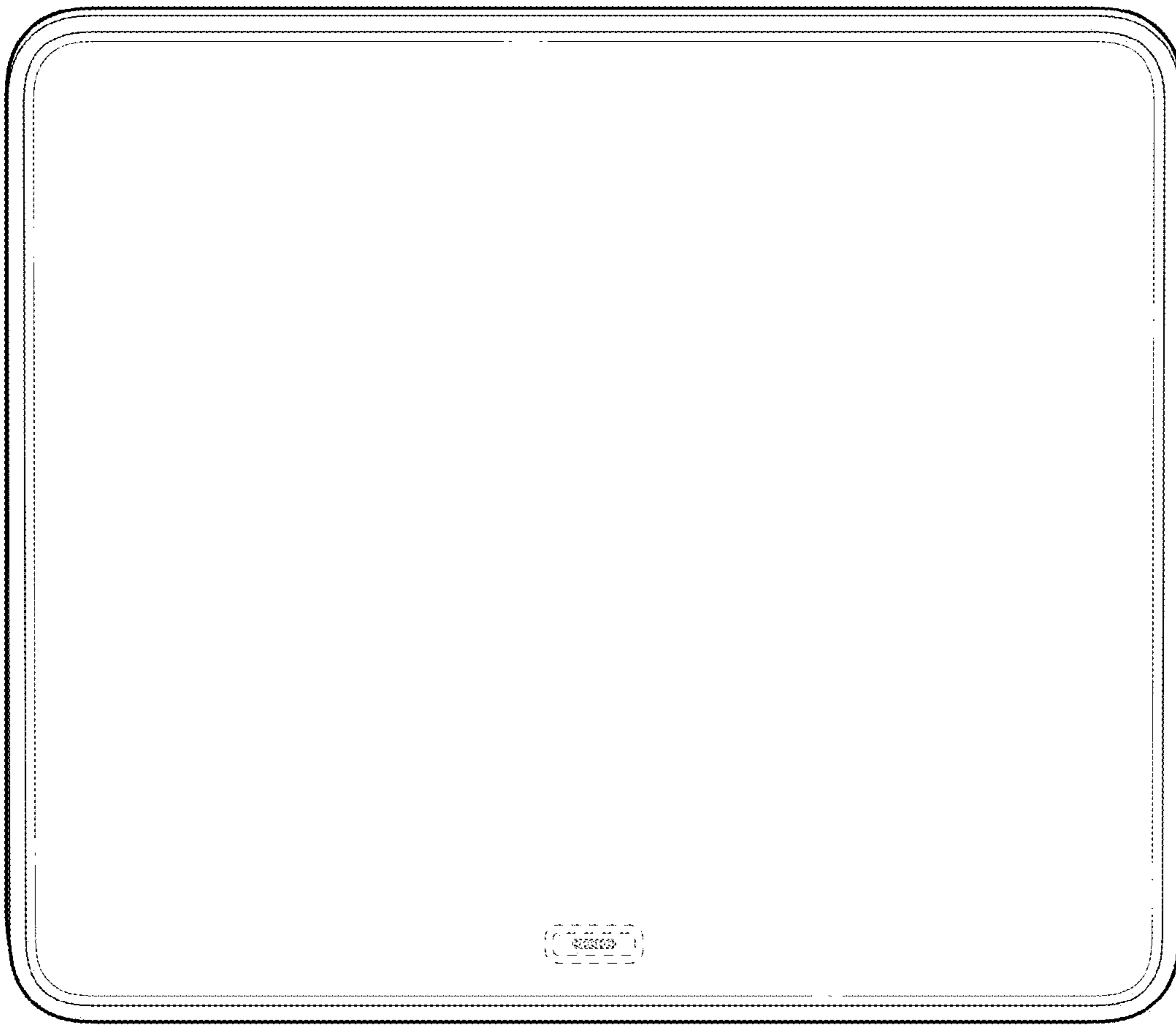


FIG. 7