



US00D762644S

(12) **United States Design Patent**
Maffetone et al.

(10) **Patent No.:** **US D762,644 S**

(45) **Date of Patent:** **** Aug. 2, 2016**

(54) **WALL MOUNT CONTROL INTERFACE**

(56) **References Cited**

(71) Applicant: **ASA Electronics, LLC**, Elkhart, IN
(US)
(72) Inventors: **Gerald J. Maffetone**, Granger, IN (US);
Vince Smith, Bristol, IN (US)
(73) Assignee: **ASA Electronics, LLC**, Elkhart, IN
(US)

U.S. PATENT DOCUMENTS

D465,492 S	*	11/2002	Scribner	D14/375
D490,420 S	*	5/2004	Solomon	D14/341
D509,827 S	*	9/2005	Johnson	D14/374
D536,337 S	*	2/2007	Chuang	D14/336
D554,640 S	*	11/2007	Ponnert	D14/388
D582,917 S	*	12/2008	Wada	D14/371
D662,094 S	*	6/2012	Mack	D14/336
D666,618 S	*	9/2012	Doyea	D14/371

* cited by examiner

Primary Examiner — Freda S Nunn

(74) *Attorney, Agent, or Firm* — Taylor IP, P.C.

(**) Term: **14 Years**

(21) Appl. No.: **29/523,363**

(22) Filed: **Apr. 9, 2015**

(51) **LOC (10) Cl.** **14-02**

(52) **U.S. Cl.**
USPC **D14/388**; D14/371

(58) **Field of Classification Search**
USPC D14/371–375, 125–129, 336, 337, 341,
D14/388, 389; 341/12; 345/104, 156, 168,
345/173; 348/180, 184, 325, 739; 349/1, 2,
349/11, 62; 361/679.05–679.07, 679.21;
D6/300, 308
CPC G06F 1/16; G06F 1/1601; G06F 3/037;
G06F 1/162; F16M 11/02; F16M 11/10

See application file for complete search history.

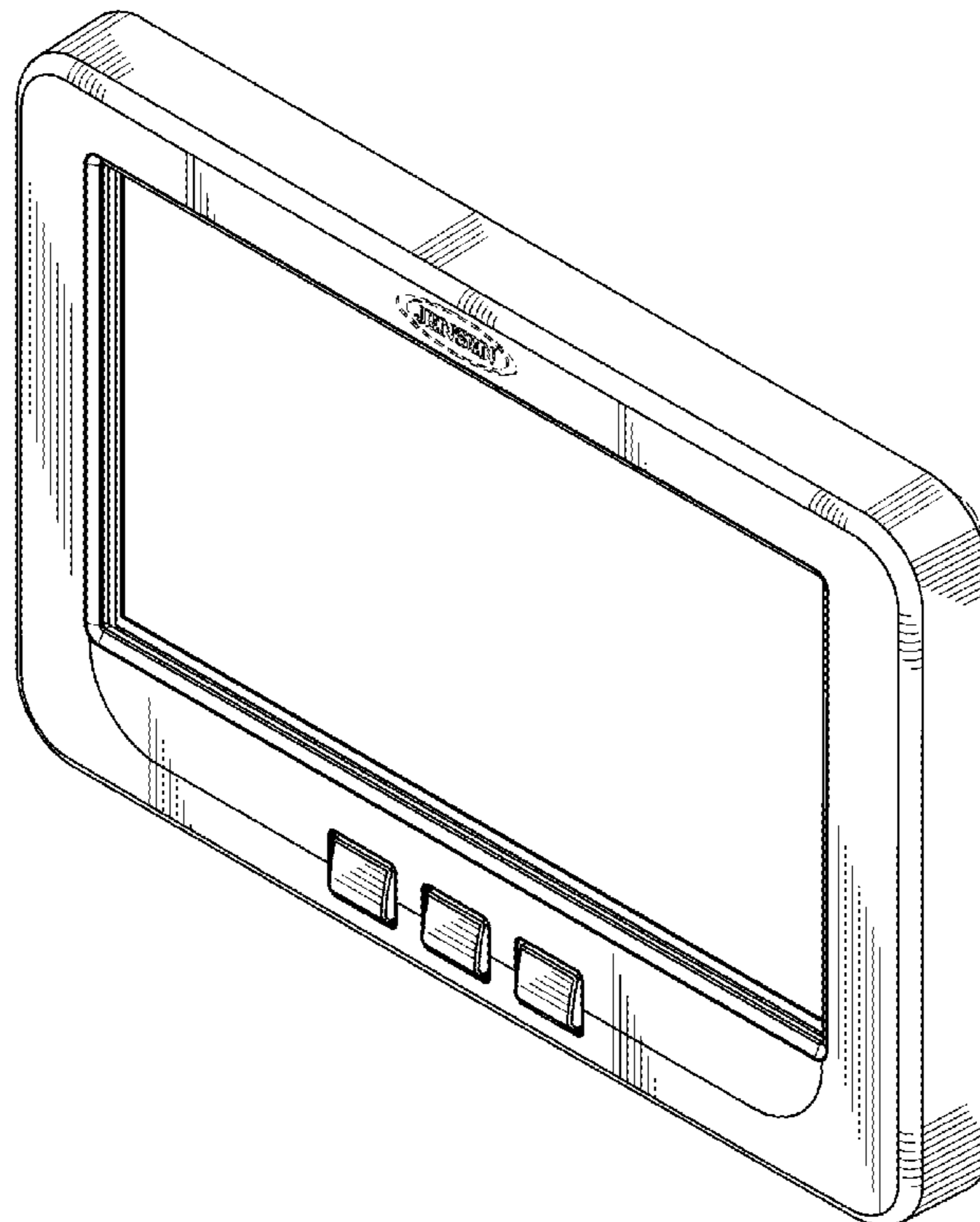
(57) **CLAIM**

The ornamental design for a wall mount control interface, as shown and described.

DESCRIPTION

FIG. 1 is a perspective view of a wall mount control interface showing our new design, the portion in phantom lines in the figures forming no part of the claimed invention;
FIG. 2 is a front view thereof;
FIG. 3 is a bottom view thereof;
FIG. 4 is a top view thereof;
FIG. 5 is a rear view thereof;
FIG. 6 is a side view thereof; and,
FIG. 7 is another side view thereof.

1 Claim, 4 Drawing Sheets



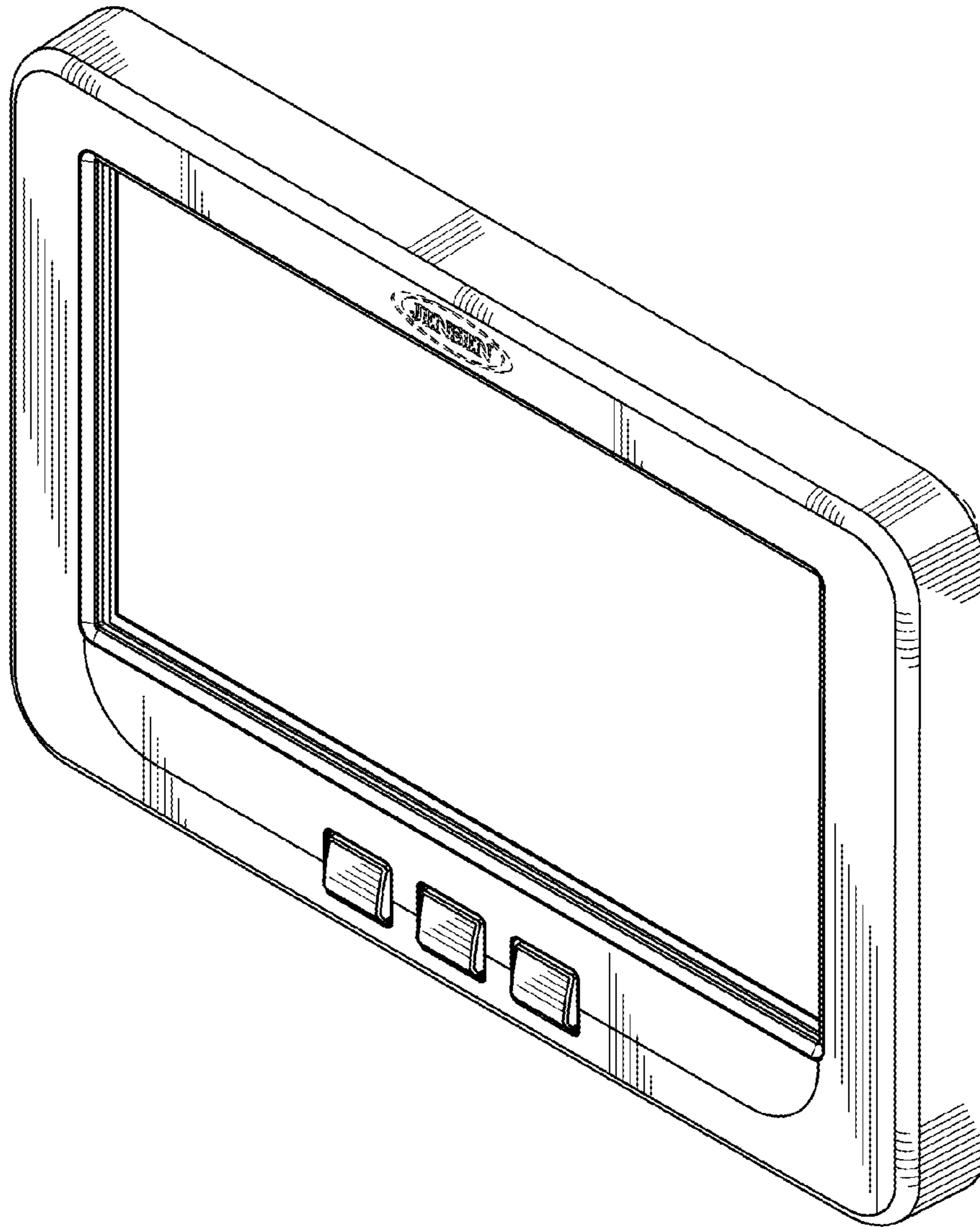


Fig. 1

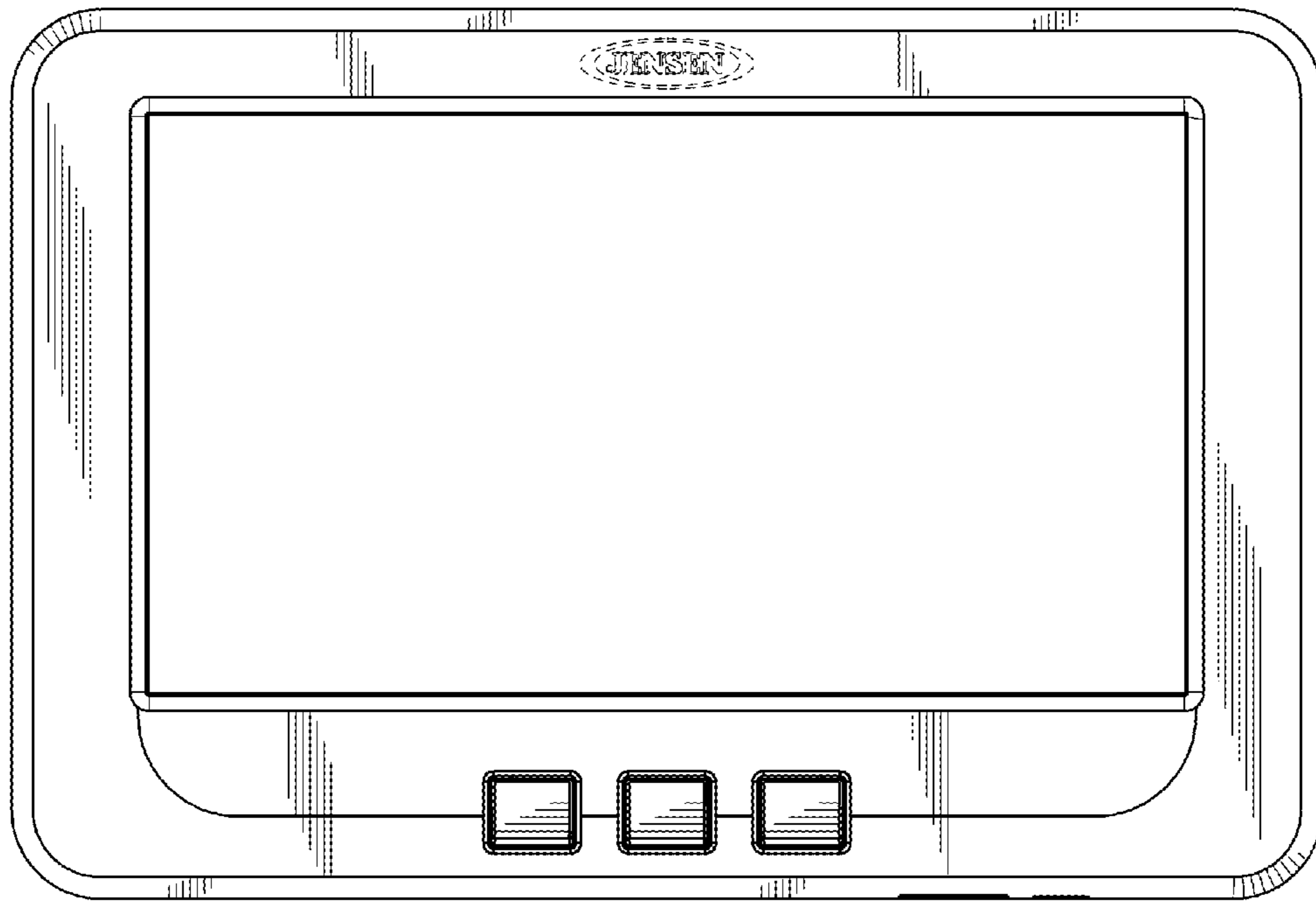


Fig. 2

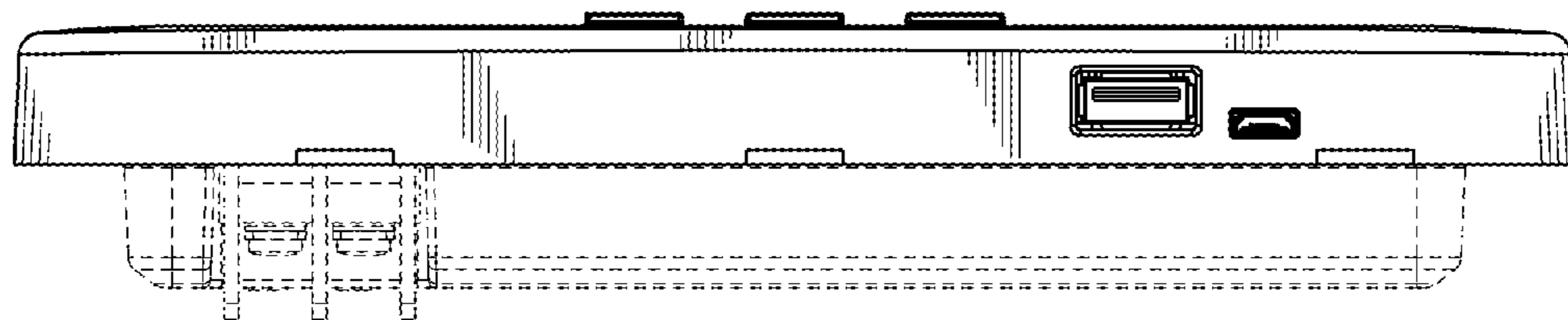


Fig. 3

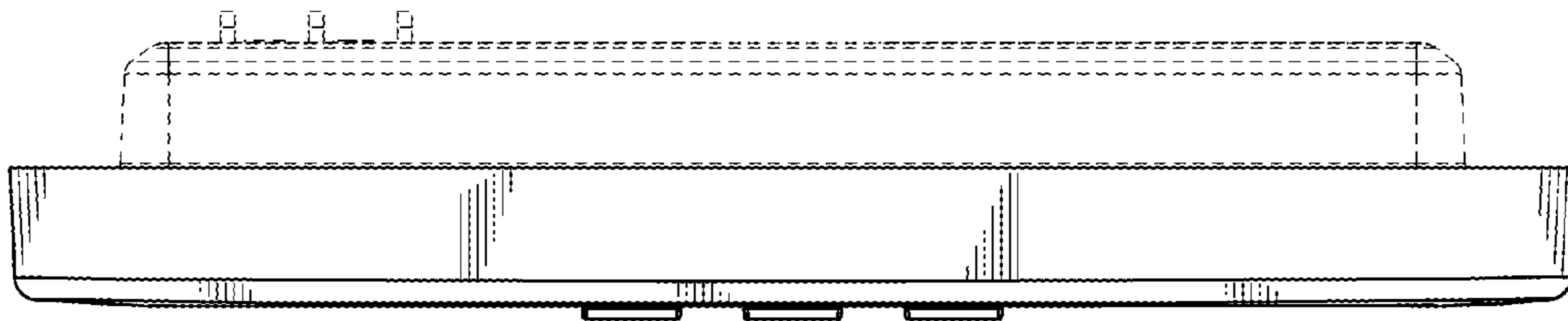


Fig. 4

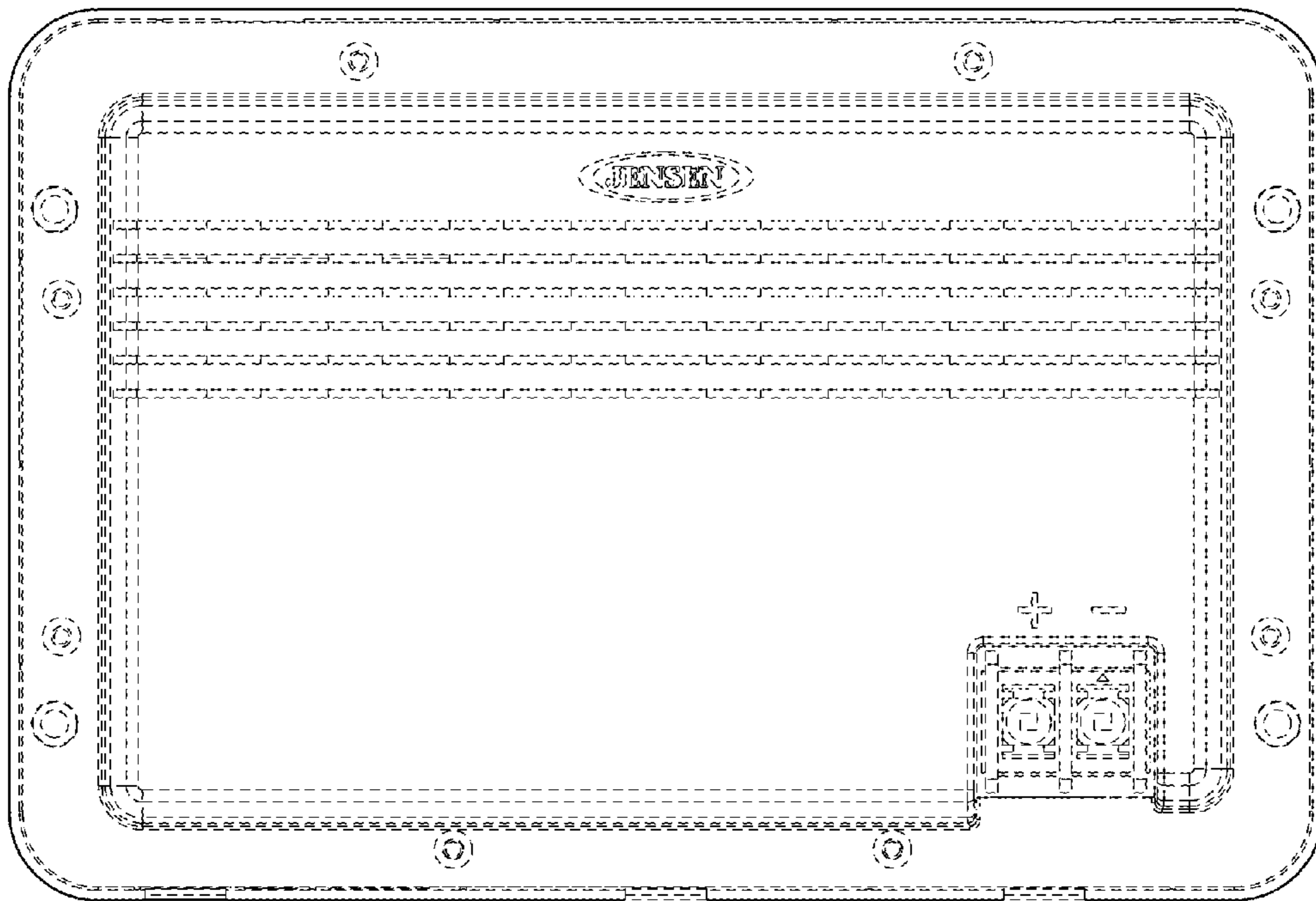


Fig. 5

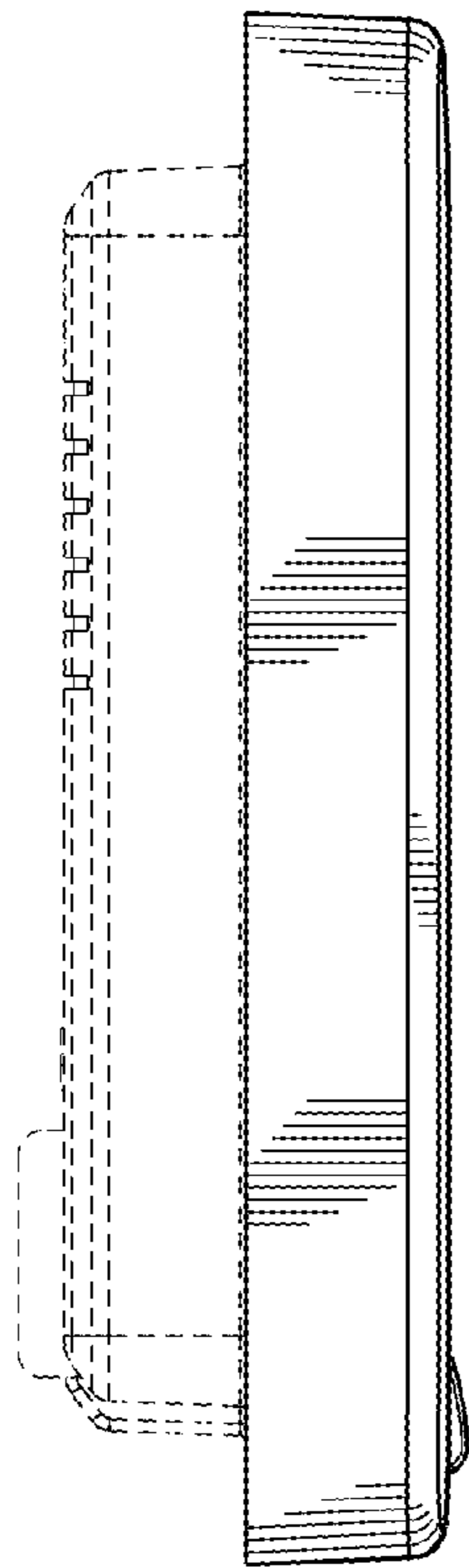


Fig. 6

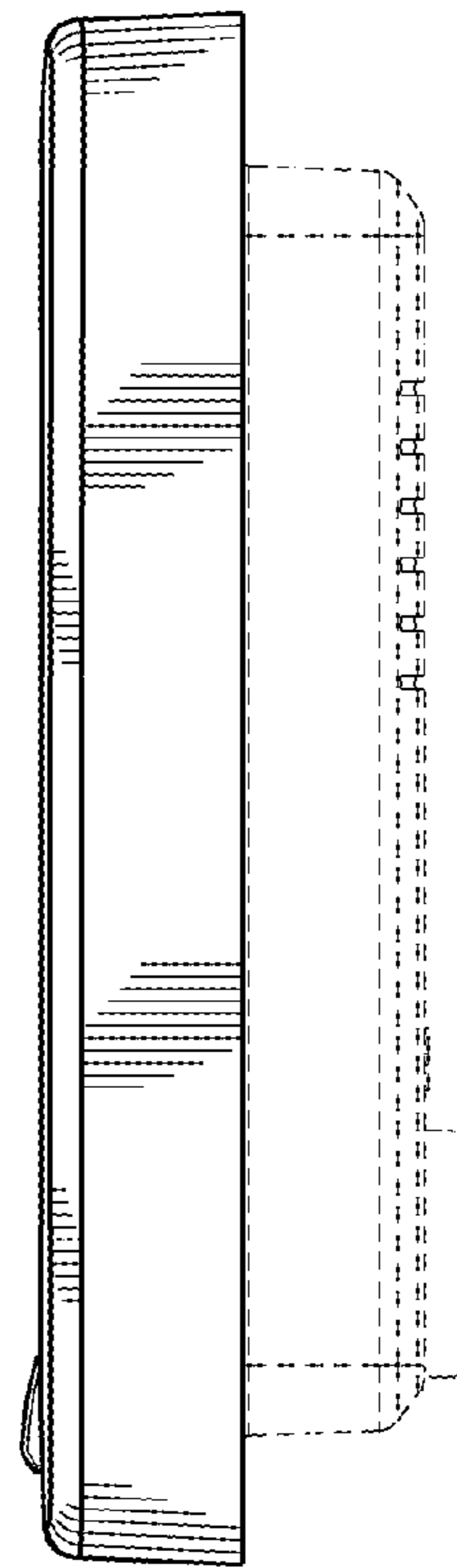


Fig. 7