



US00D762642S

(12) **United States Design Patent**
Johnson et al.

(10) **Patent No.:** **US D762,642 S**

(45) **Date of Patent:** **** Aug. 2, 2016**

- (54) **MACHINE DISPLAY**
- (71) Applicant: **Caterpillar Inc.**, Peoria, IL (US)
- (72) Inventors: **Terril Johnson**, Washington, IL (US);
Scott Larson, Brimfield, IL (US)
- (73) Assignee: **Caterpillar Inc.**, Peoria, IL (US)
- (**) Term: **14 Years**
- (21) Appl. No.: **29/511,387**
- (22) Filed: **Dec. 10, 2014**
- (51) **LOC (10) Cl.** **14-02**
- (52) **U.S. Cl.**
USPC **D14/371**; D14/341
- (58) **Field of Classification Search**
USPC D14/315-327, 341, 138, 371; D18/1, 2,
D18/7, 11; 235/145 A, 145 R; 341/22, 23;
345/104, 156, 168, 169, 173;
361/679.08, 679.09, 679.11, 679.26,
361/679.27; D10/46; D15/10, 28, 199;
D24/185, 186
CPC G06F 1/16; G06F 1/1616; G06F 1/1626;
G06F 1/1632; G06F 1/1613; G06F 1/1601;
G06F 1/1618; G06F 1/162; H01R 35/02;
H03M 11/00; G09B 13/04; H03K 17/94;
G09G 5/00; F16M 11/10; H04B 1/205
See application file for complete search history.

- D582,917 S * 12/2008 Wada D14/371
- D583,687 S 12/2008 Menges et al.
- D589,825 S 4/2009 Bryant et al.
- D596,175 S 7/2009 Viertola et al.
- D641,354 S * 7/2011 Hsu D14/341
- D651,220 S 12/2011 Ohtonen
- D673,487 S 1/2013 Hanson et al.
- D677,239 S 3/2013 Todorovitch
- D685,397 S 7/2013 Anderson et al.
- D685,398 S 7/2013 Graham et al.

(Continued)

OTHER PUBLICATIONS

U.S. Appl. No. 14/466,007 of Cooksey et al., titled "Control Box for Generator Set," filed Aug. 22, 2014.

(Continued)

Primary Examiner — Freda S Nunn

(74) *Attorney, Agent, or Firm* — Saidman DesignLaw Group, LLC

(57) **CLAIM**

The ornamental design for a machine display, as shown and described.

DESCRIPTION

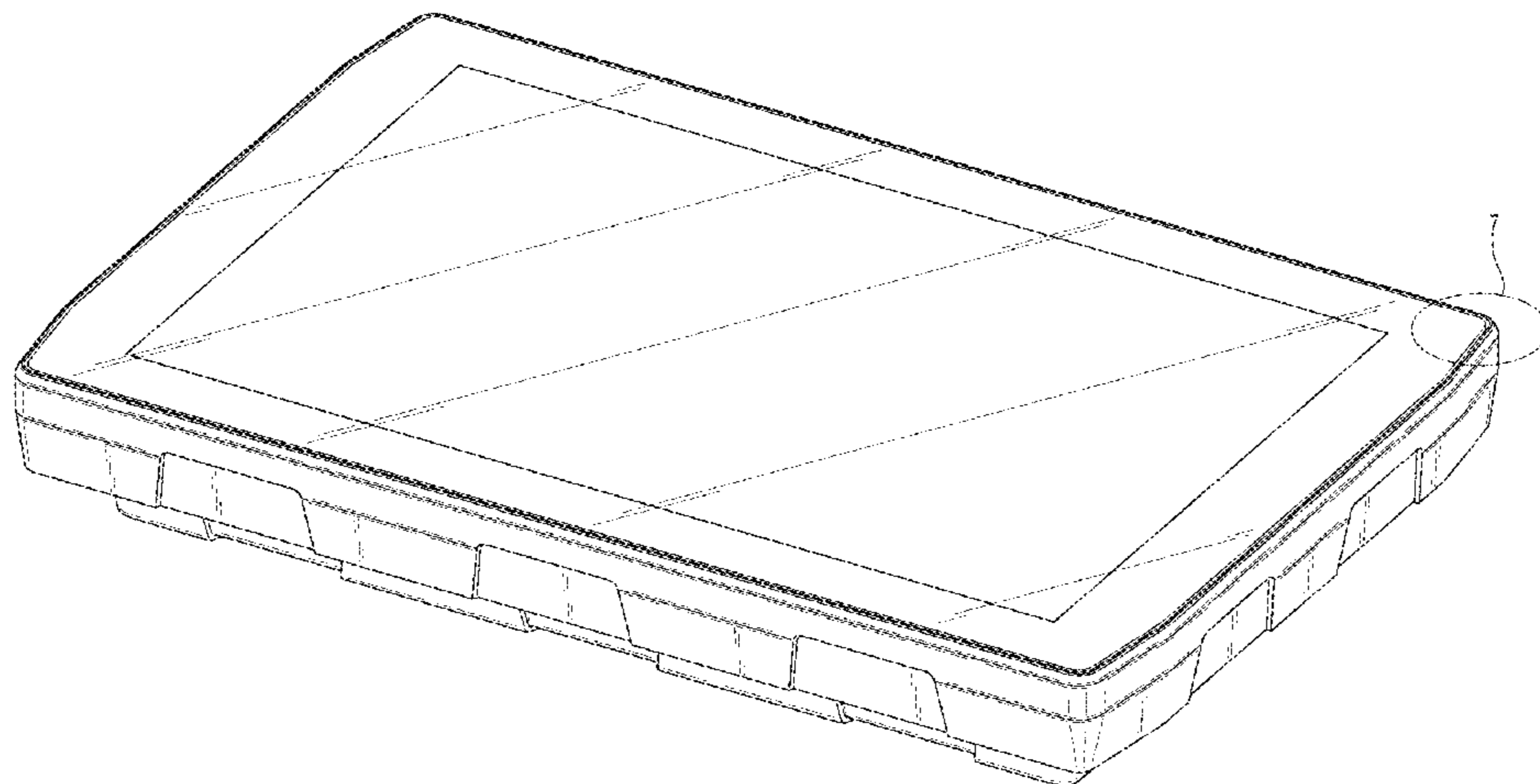
FIG. 1 is a perspective view of a machine display showing our new design;
 FIG. 2 is a front view thereof;
 FIG. 3 is a rear view thereof;
 FIG. 4 is a right side view thereof, the left side being a mirror image thereof;
 FIG. 5 is bottom view thereof;
 FIG. 6 is a top view thereof; and,
 FIG. 7 is an enlargement of the encircled area in FIG. 1.
 The dashed broken lines illustrate environmental structure and form no part of the claimed design.
 The dot-dash broken lines encircle areas of enlargement.
 The drawings include surface shading that represents contour and not surface ornamentation.

1 Claim, 6 Drawing Sheets

(56) **References Cited**

U.S. PATENT DOCUMENTS

- D349,691 S 8/1994 Takeichi et al.
- D361,552 S * 8/1995 Iino D14/341
- D418,117 S * 12/1999 Wade D14/342
- 5,996,956 A * 12/1999 Shawver G06F 1/1626
248/309.1
- D474,543 S * 5/2003 Lee D24/186
- D491,560 S * 6/2004 Hsu Li D14/371
- D492,306 S * 6/2004 Martin D14/346
- 7,145,769 B2 12/2006 Chen



(56)

References Cited

U.S. PATENT DOCUMENTS

D701,203 S * 3/2014 Katori D14/341
D705,747 S * 5/2014 Boucquey D14/138 G
D715,798 S 10/2014 De La Cruz et al.
D716,298 S 10/2014 De La Cruz et al.
2003/0236102 A1* 12/2003 Kawai G06F 1/1626
455/550.1
2006/0238529 A1* 10/2006 Lavelle H04B 1/205
345/204
2013/0193149 A1 8/2013 Balourdet

OTHER PUBLICATIONS

U.S. Appl. No. 29/500,224, of Cooksey et al., titled "Control Box,"
filed Aug. 22, 2014.
Images of CAT Generator Set Control Box and Panel, available as
early as Aug. 22, 2014.
U.S. Appl. No. 29/500,210, of Cooksey et al., titled "Control Panel,"
filed Aug. 22, 2014.
CAT phones, www.catphones.com/en-gb/phones, available as early
as Dec. 10, 2014.

* cited by examiner

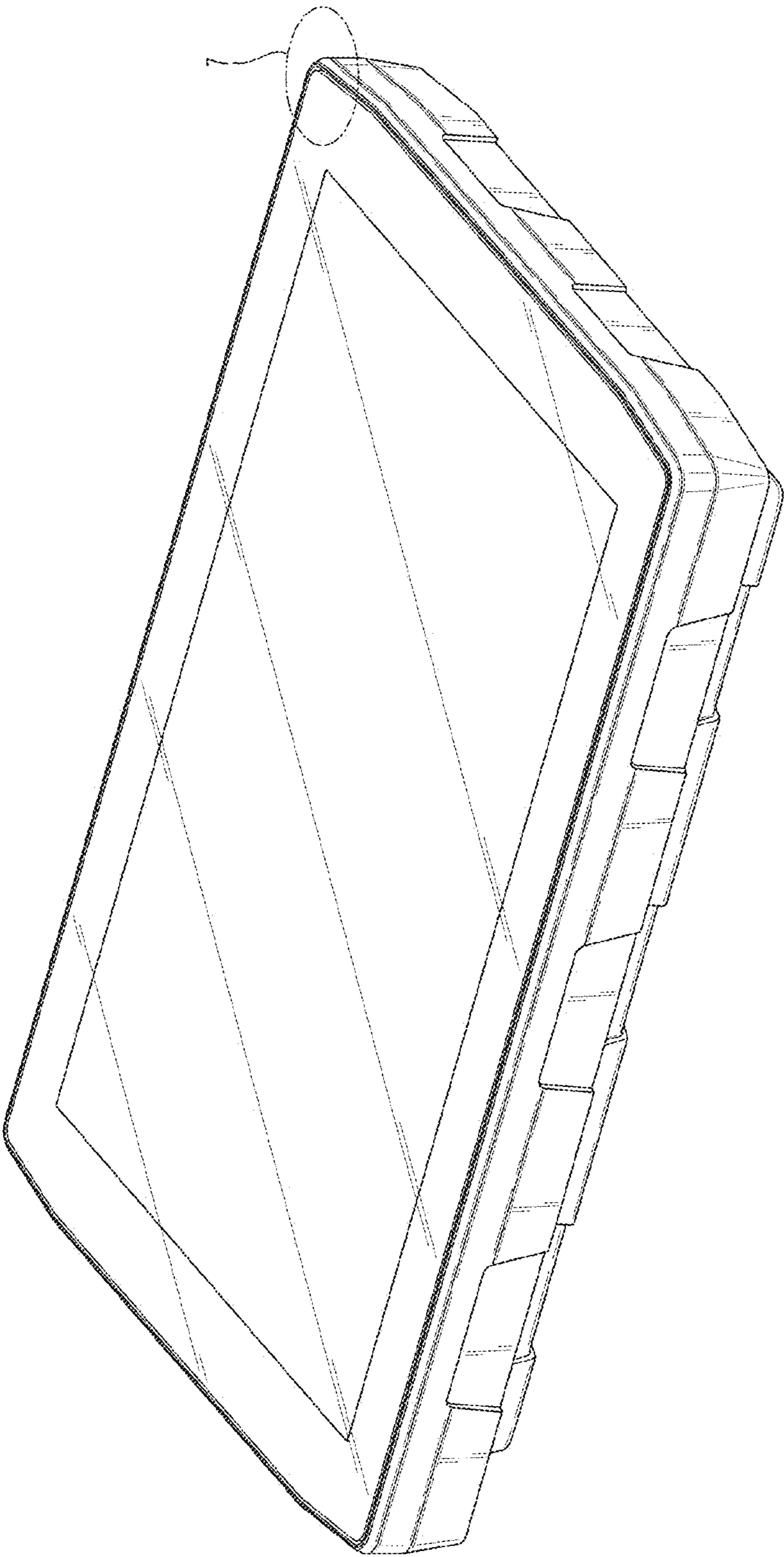


Fig. 1

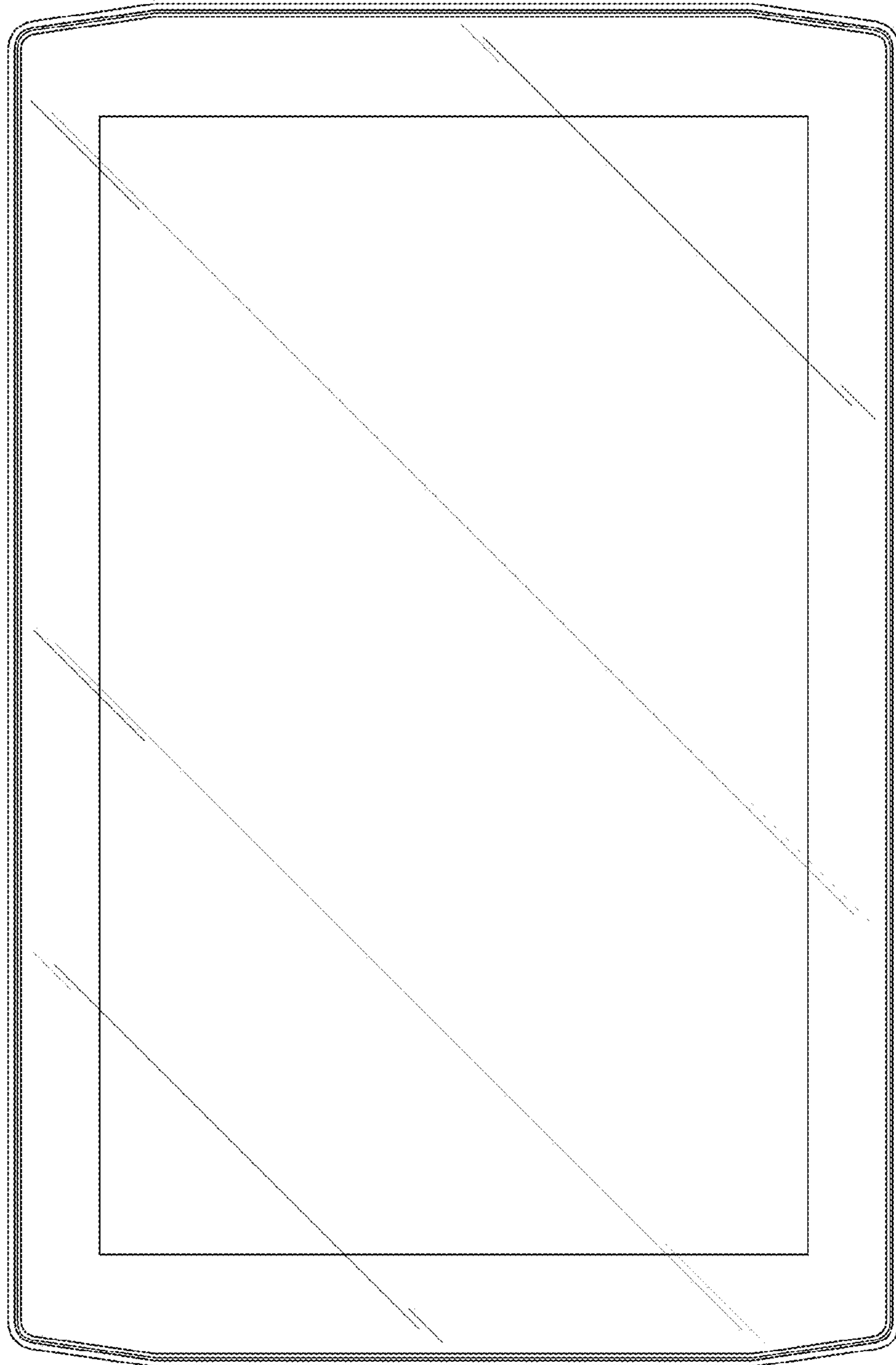


Fig. 2

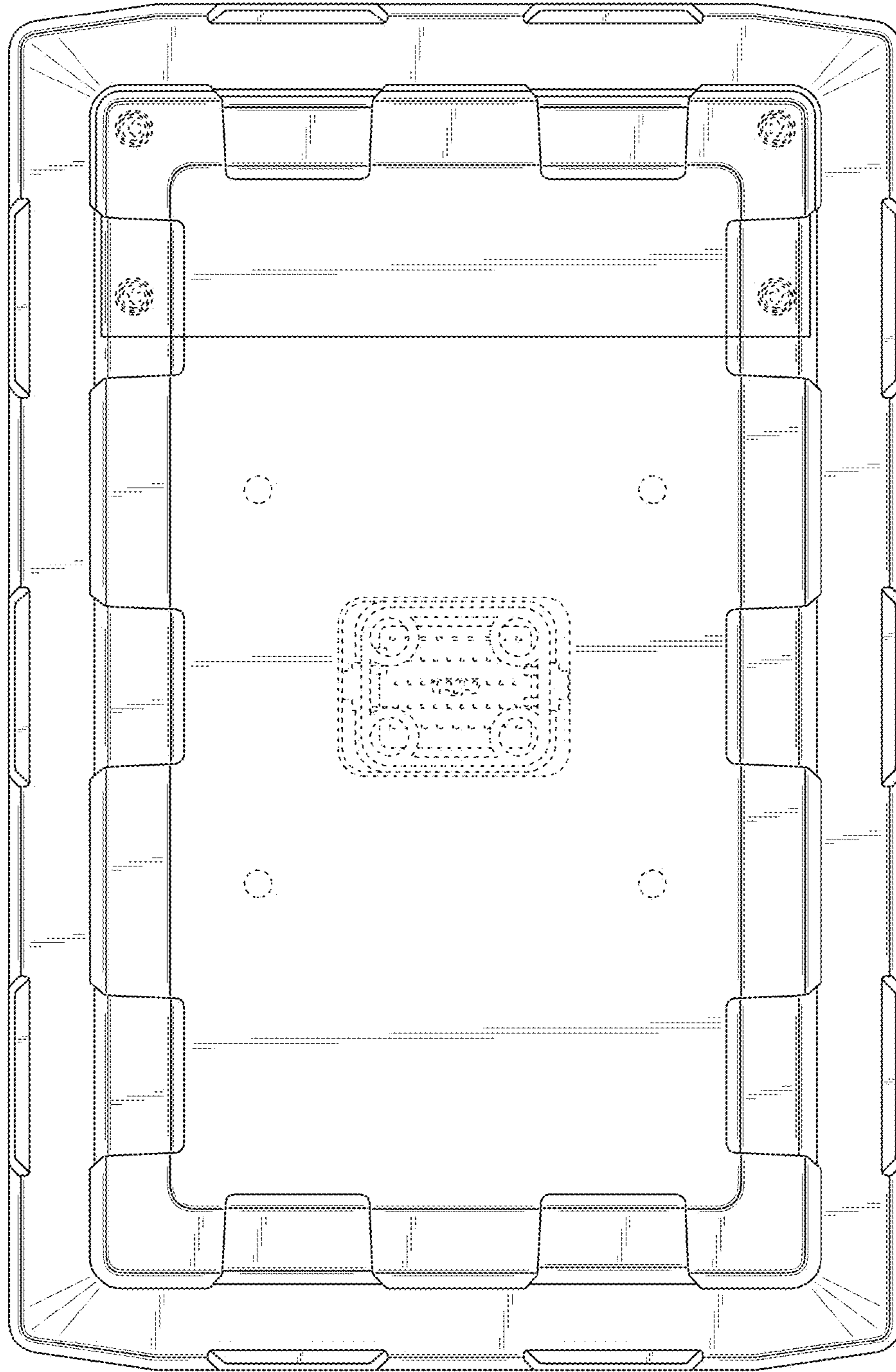


Fig. 3

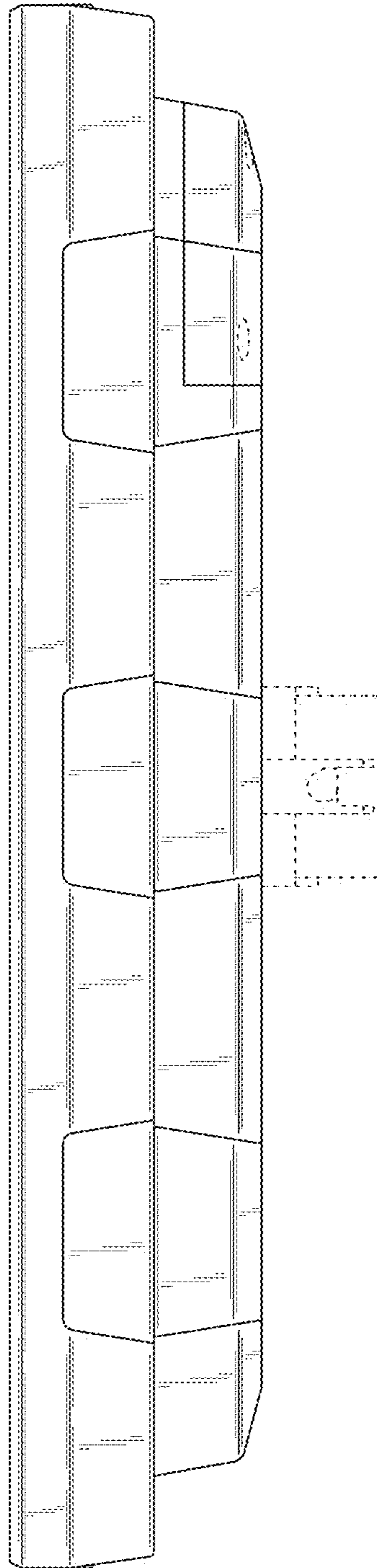


Fig. 4

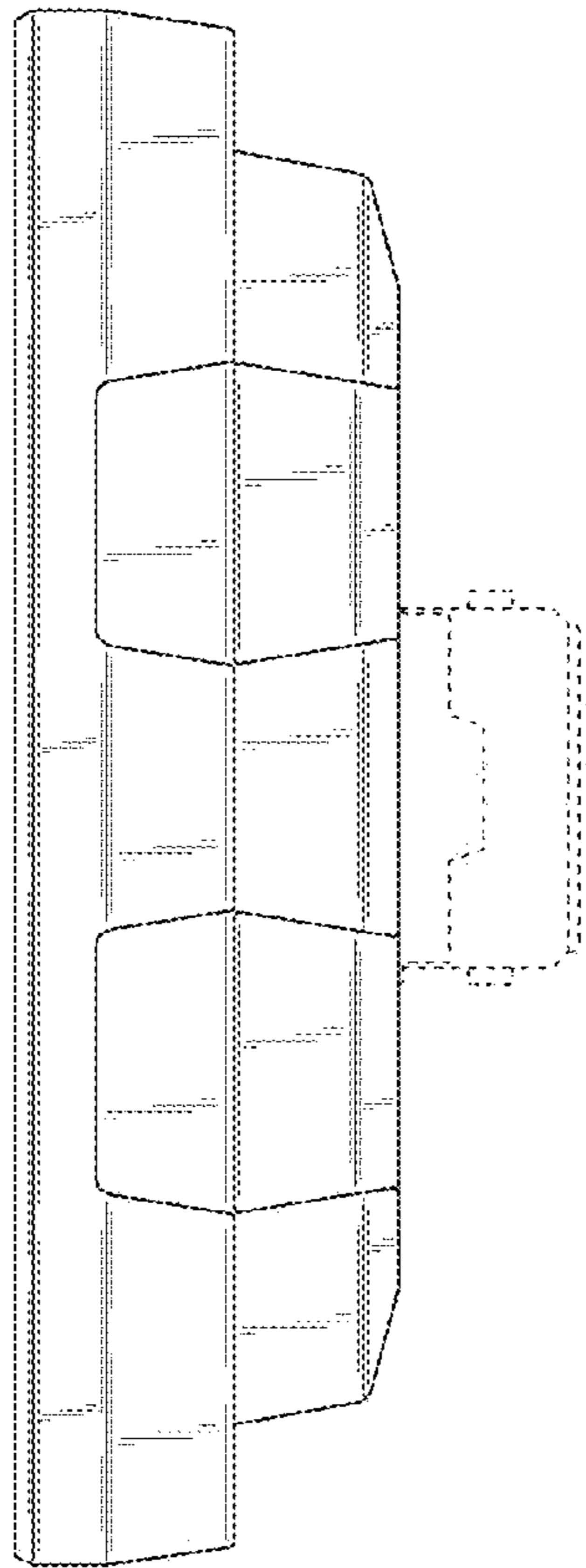


Fig. 5

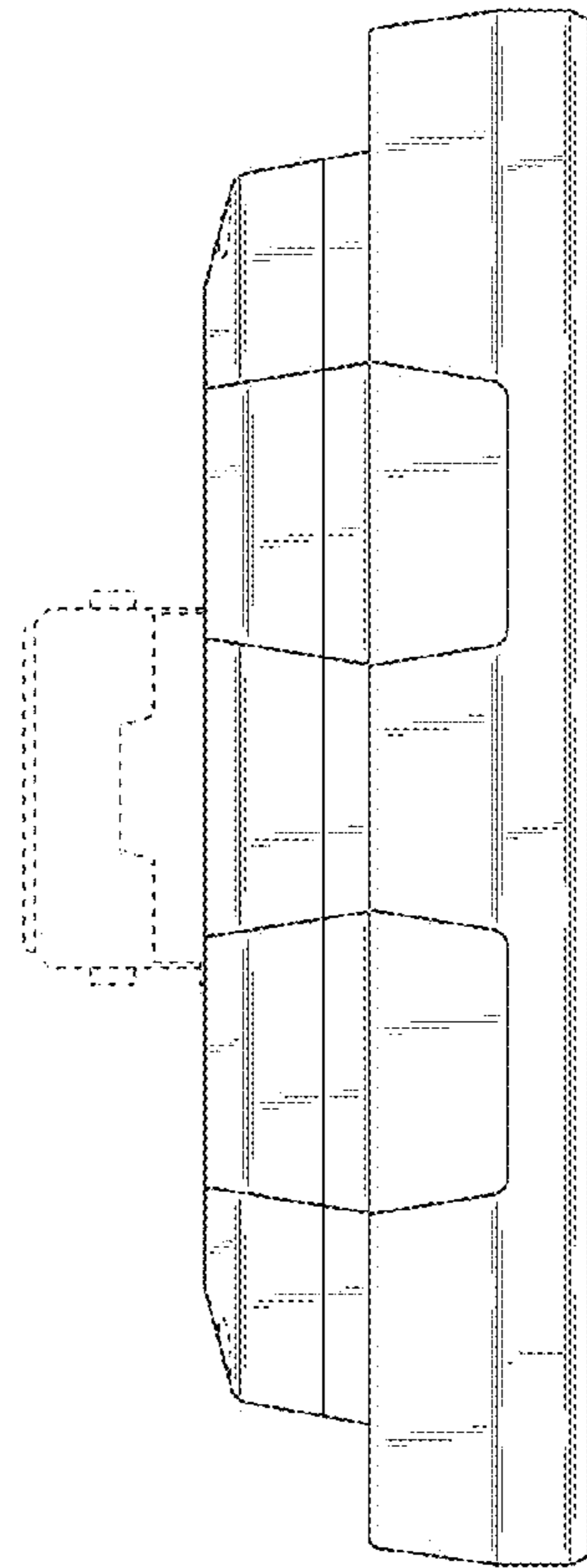


Fig. 6

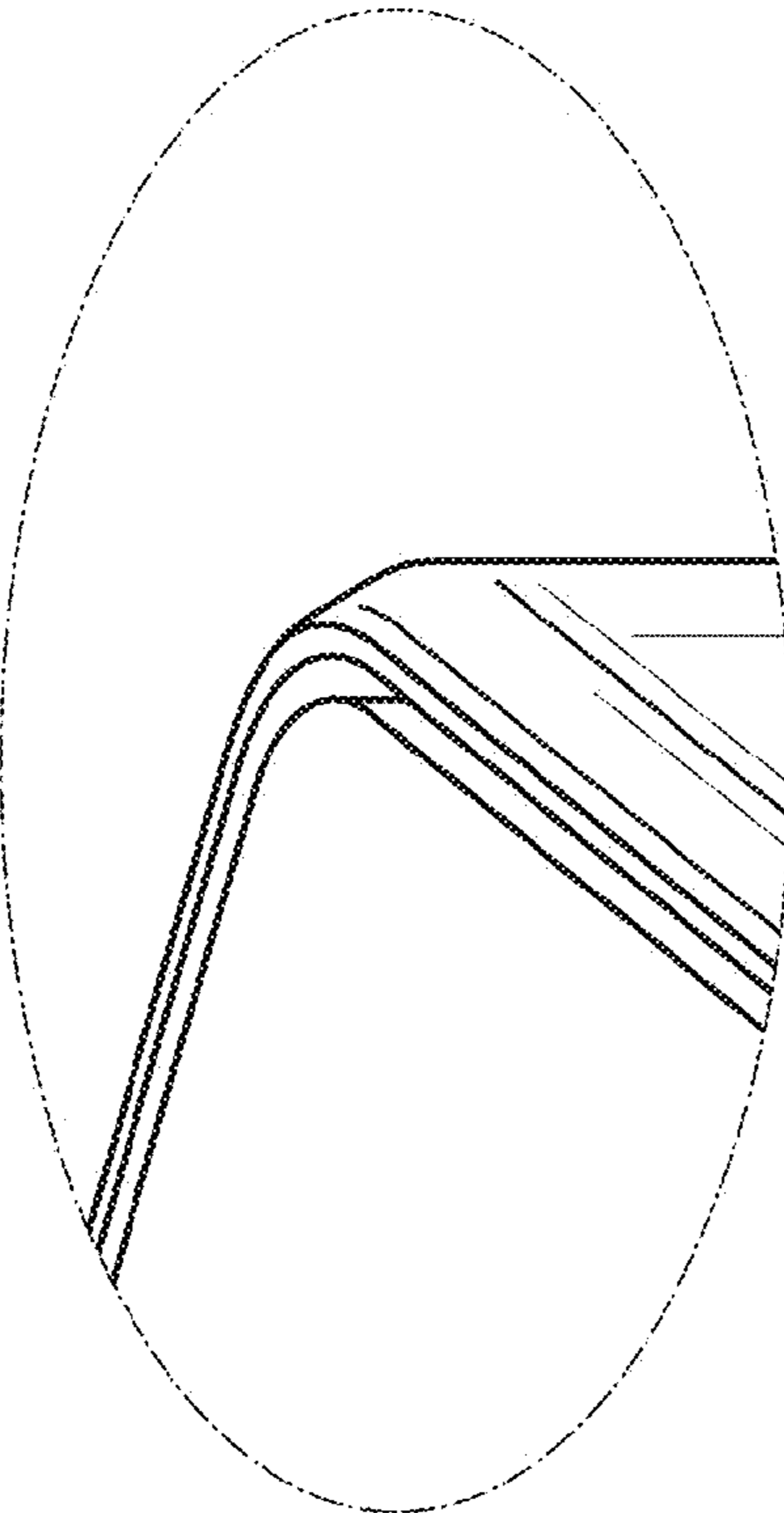


Fig. 7