

US00D762639S

(12) **United States Design Patent**  
**Montoya et al.**

(10) **Patent No.:** **US D762,639 S**  
(45) **Date of Patent:** **\*\* Aug. 2, 2016**

(54) **CONVERTIBLE ULTRABOOK DEVICE WITH  
A DUAL-SIDED, TRANSPARENT TOUCH  
SCREEN**

(71) Applicant: **Intel Corporation**, Santa Clara, CA  
(US)

(72) Inventors: **Tommy S. Montoya**, Portland, OR (US);  
**Prosenjit Ghosh**, Portland, OR (US)

(73) Assignee: **Intel Corporation**, Santa Clara, CA  
(US)

(\*\*) Term: **14 Years**

(21) Appl. No.: **29/513,094**

(22) Filed: **Dec. 26, 2014**

(51) **LOC (10) Cl.** ..... **14-02**

(52) **U.S. Cl.**  
USPC ..... **D14/316**

(58) **Field of Classification Search**  
USPC ..... D14/315-327; D18/1, 2, 7, 11;  
235/145 A, 145 R; 341/22, 23; 345/104,  
345/156, 168, 169, 173; 361/679.08,  
361/679.09, 679.11, 679.26, 679.27  
CPC ..... G06F 1/16; G06F 1/1616; G06F 1/1626;  
G06F 1/1632; G06F 1/1613; G06F 1/1601;  
G06F 1/1618; G06F 1/162; H01R 35/02;  
H03M 11/00; G09B 13/04; H03K 17/94;  
G09G 5/00; F16M 11/10; A47B 23/043;  
A47B 23/001; A47B 2023/049

See application file for complete search history.

(56) **References Cited**

U.S. PATENT DOCUMENTS

5,655,651 A *	8/1997	Maier .....	B44D 3/02 206/1.7
D476,326 S *	6/2003	Tanimura .....	D14/318
D491,178 S *	6/2004	Kataoka .....	D14/318
D494,580 S *	8/2004	Kondo .....	D14/318
D499,726 S *	12/2004	Kurokawa .....	D14/318
D502,177 S *	2/2005	Takada .....	D14/318
D519,500 S *	4/2006	Maskatia .....	D14/318
D607,882 S *	1/2010	Nakada .....	D14/315
7,755,904 B2 *	7/2010	Wu .....	H05K 7/1494 211/26
D676,436 S *	2/2013	Du .....	D14/301
D700,600 S *	3/2014	Matsuoka .....	D14/315

\* cited by examiner

*Primary Examiner* — Freda S Nunn

(74) *Attorney, Agent, or Firm* — International IP Law  
Group, P.L.L.C.

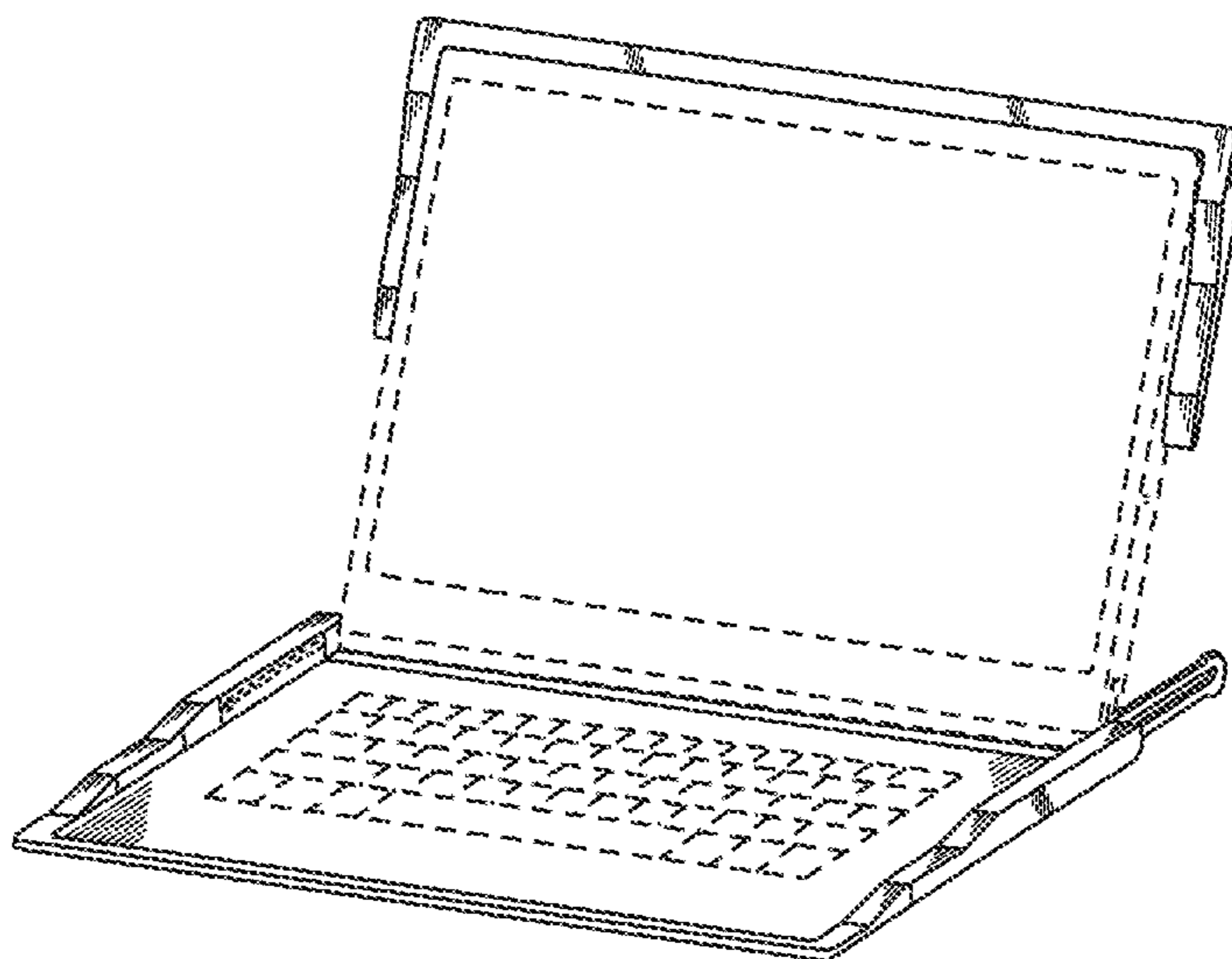
(57) **CLAIM**

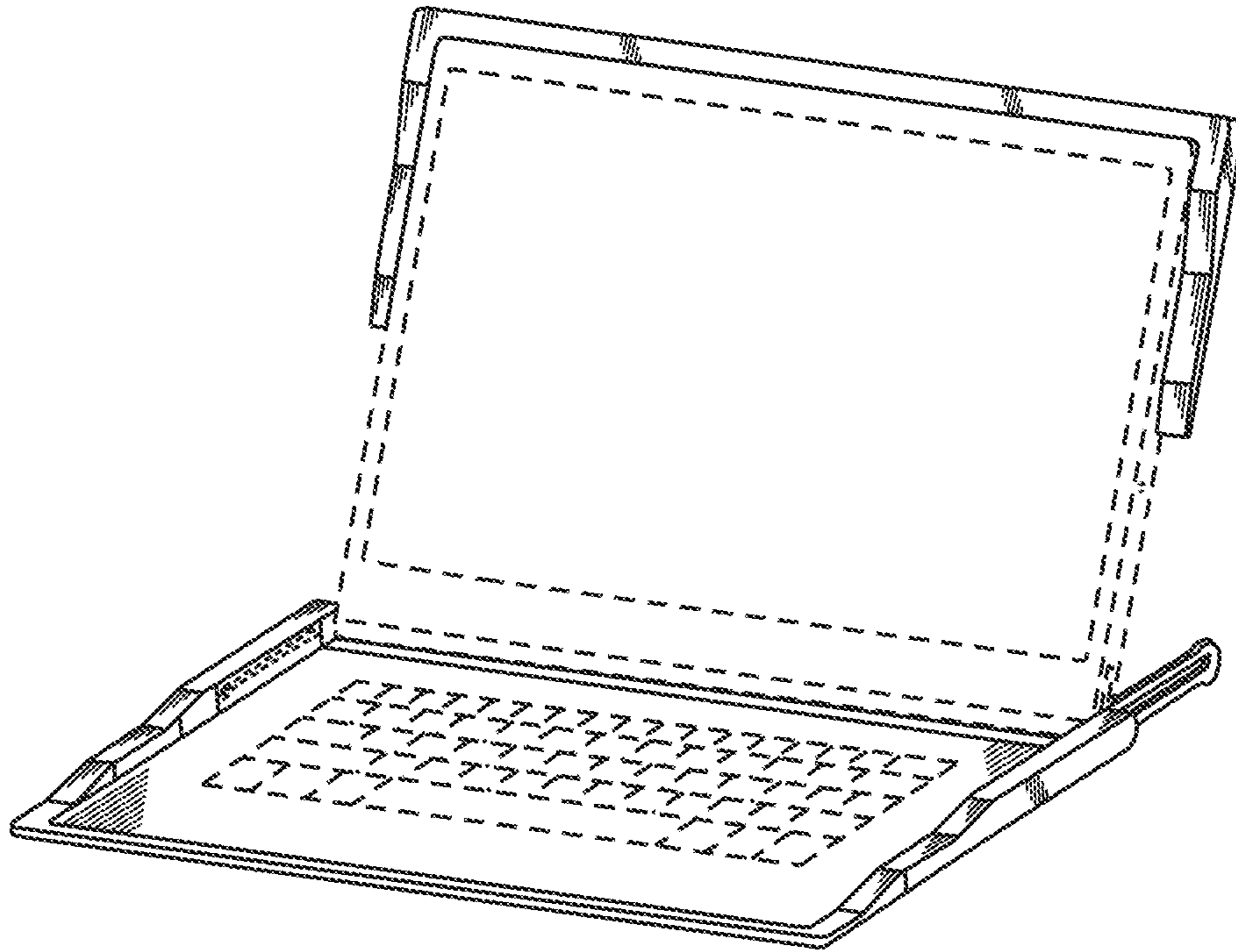
The ornamental design for a convertible ultrabook device  
with a dual-sided transparent touch screen, as shown and  
described.

**DESCRIPTION**

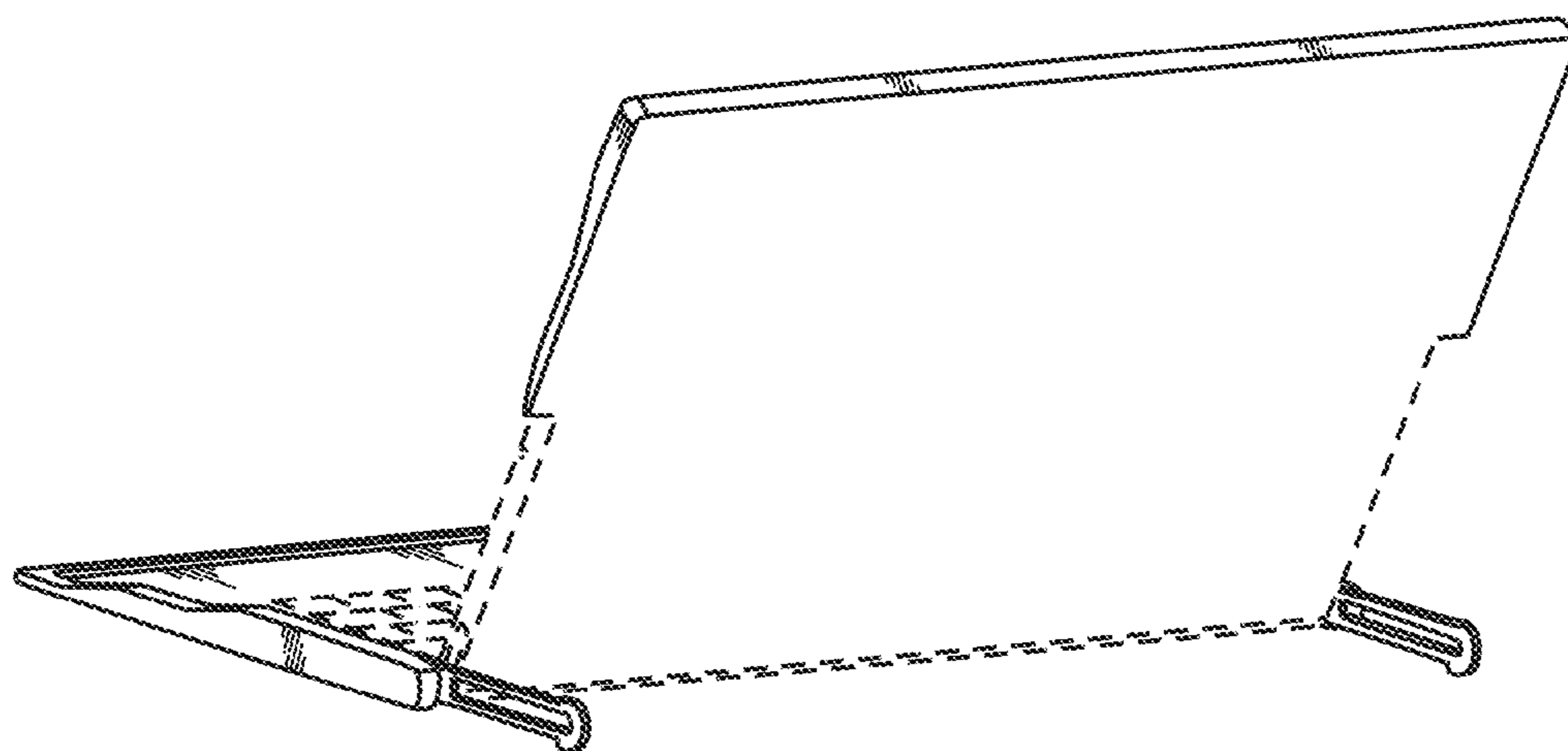
FIG. 1 is a front side perspective view of a convertible ultra-  
book device with a dual-sided transparent touch screen;  
FIG. 2 is a rear side perspective view thereof;  
FIG. 3 is side view thereof;  
FIG. 4 is another front, side perspective view thereof;  
FIG. 5 is a top view thereof shown in a closed position;  
FIG. 6 is a top perspective view thereof; and,  
FIG. 7 is an enlarged fragmented side perspective view  
thereof wherein the side panel has been removed.  
The broken lines shown in the drawings depict environment  
only and form no part of the claimed design.

**1 Claim, 7 Drawing Sheets**

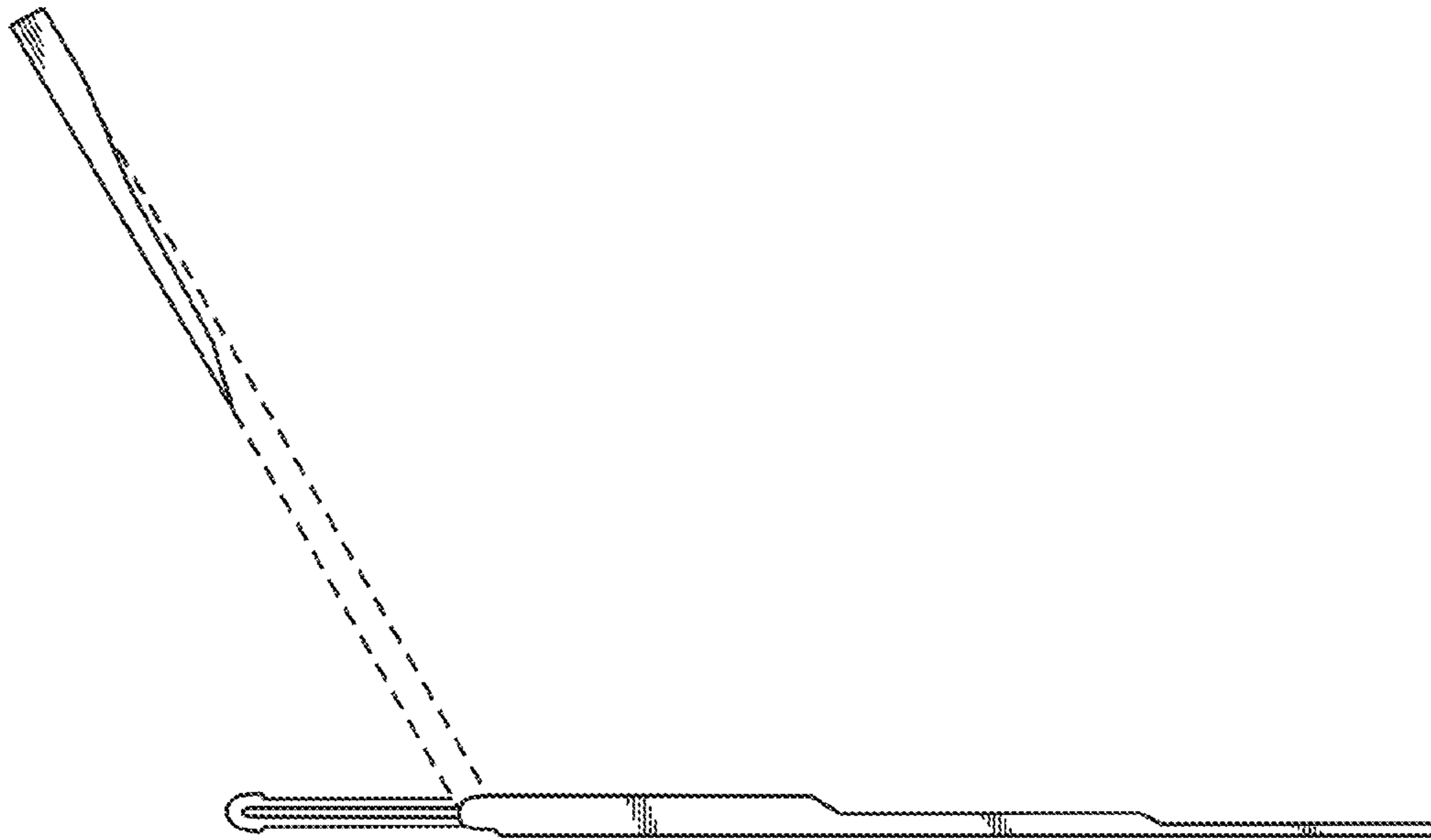




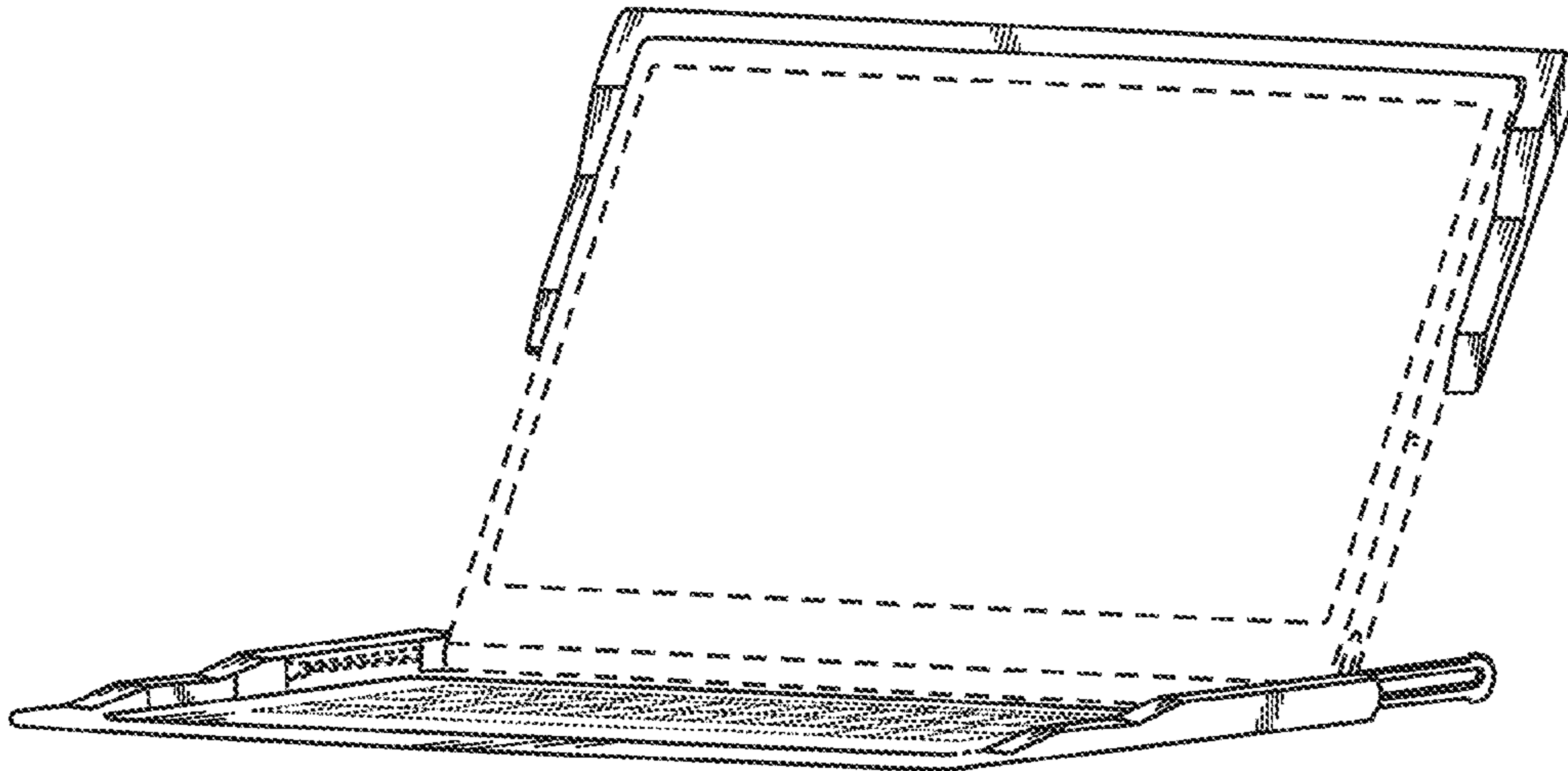
100  
FIG. 1



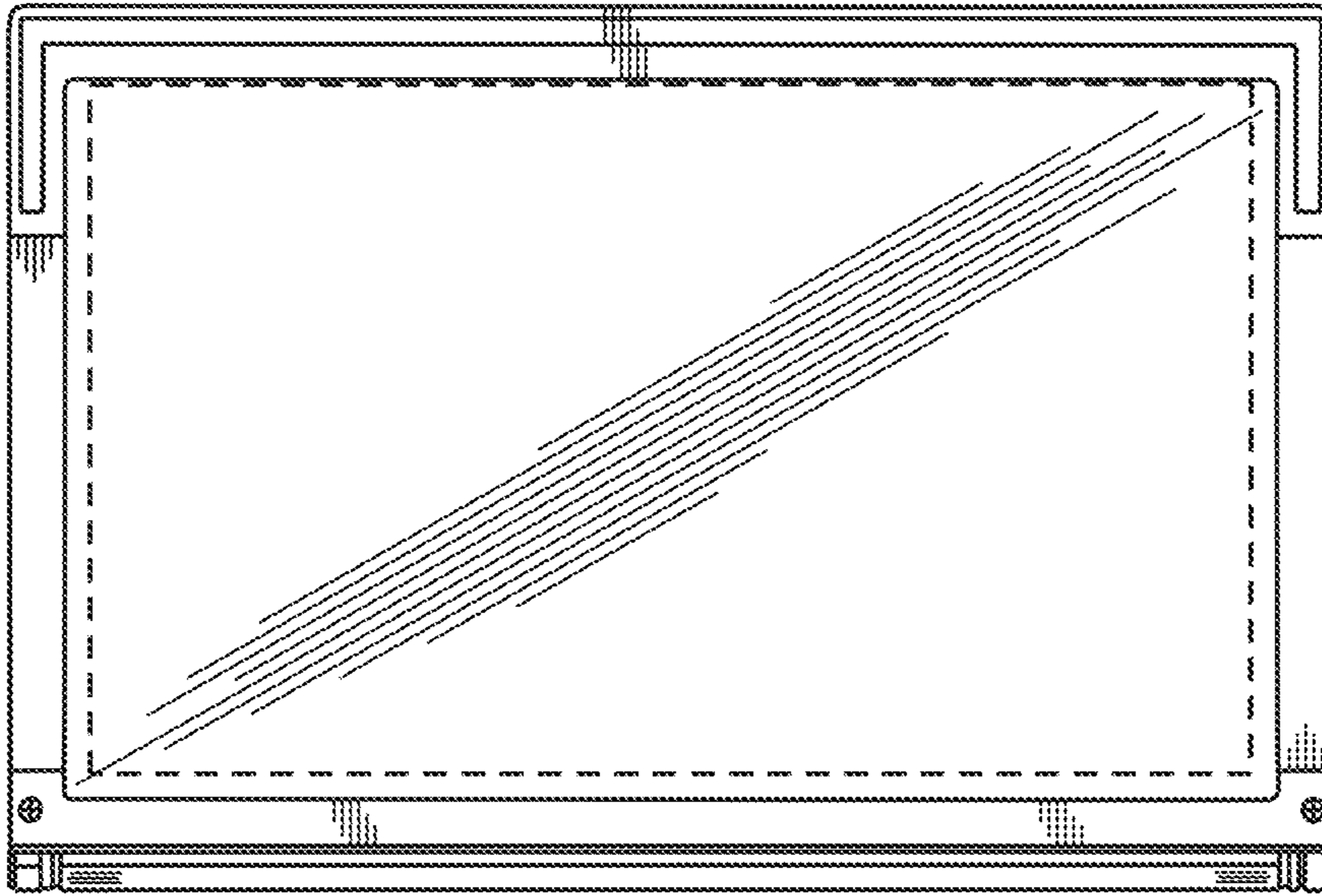
200  
FIG. 2



300  
FIG. 3

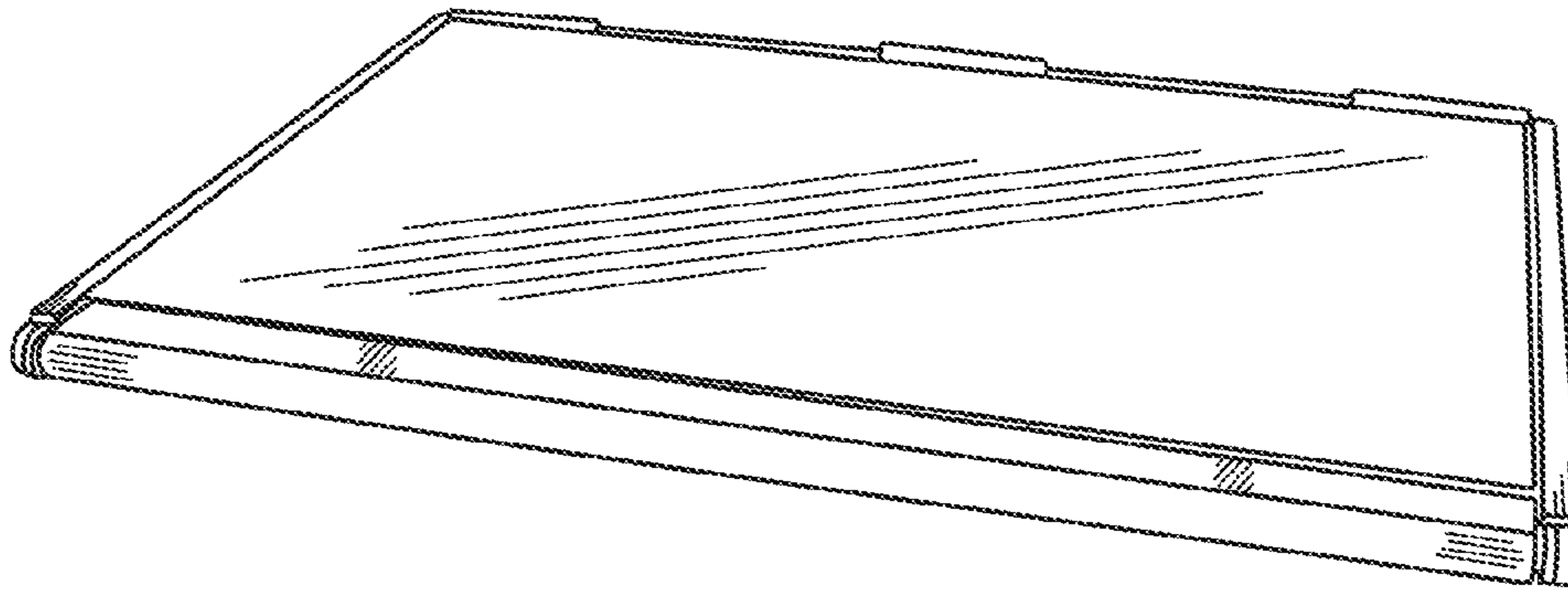


400  
FIG. 4

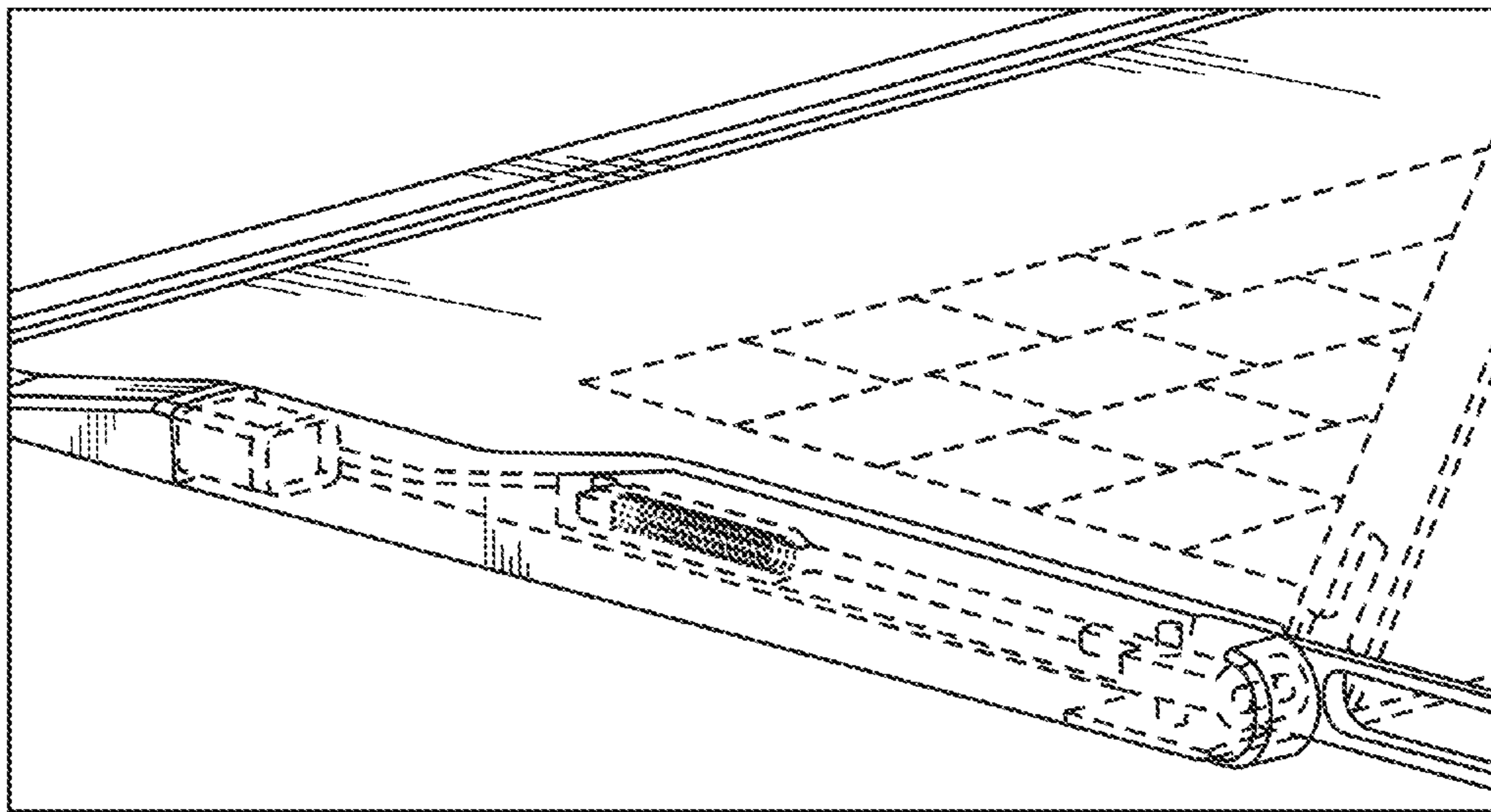


500

FIG. 5



600  
FIG. 6



700  
FIG. 7