



US00D762636S

(12) **United States Design Patent**  
**Liu et al.**

(10) **Patent No.:** **US D762,636 S**  
(45) **Date of Patent:** **\*\* Aug. 2, 2016**

(54) **NOTEBOOK COMPUTER**

(71) Applicants: **Ming-Chung Liu**, Taipei (TW); **Pei Wang**, Taipei (TW); **Li-Fang Chen**, Taipei (TW)

(72) Inventors: **Ming-Chung Liu**, Taipei (TW); **Pei Wang**, Taipei (TW); **Li-Fang Chen**, Taipei (TW)

(73) Assignee: **COMPAL ELECTRONICS, INC.**, Taipei (TW)

(\*\*) Term: **14 Years**

(21) Appl. No.: **29/486,009**

(22) Filed: **Mar. 26, 2014**

(30) **Foreign Application Priority Data**

Feb. 12, 2014 (TW) ..... 103300773

(51) **LOC (10) Cl.** ..... **14-02**

(52) **U.S. Cl.**  
USPC ..... **D14/315**

(58) **Field of Classification Search**  
USPC ..... D14/315-327; D18/1, 2, 7, 11;  
235/145 A, 145 R; 341/22, 23; 345/104,  
345/156, 168, 169, 173; 361/679.08,  
361/679.09, 679.11, 679.26, 679.27  
CPC ..... G06F 1/16; G06F 1/1616; H01R 35/02;  
H03M 11/00; G09B 13/04; H03K 17/94  
See application file for complete search history.

(56) **References Cited**

U.S. PATENT DOCUMENTS

6,067,224 A \* 5/2000 Nobuchi ..... 361/679.27  
D426,543 S \* 6/2000 Oross ..... D14/330

(Continued)

*Primary Examiner* — Freda S Nunn

(74) *Attorney, Agent, or Firm* — Jianq Chyun IP Office

(57) **CLAIM**

The ornamental design for a notebook computer, as shown and described.

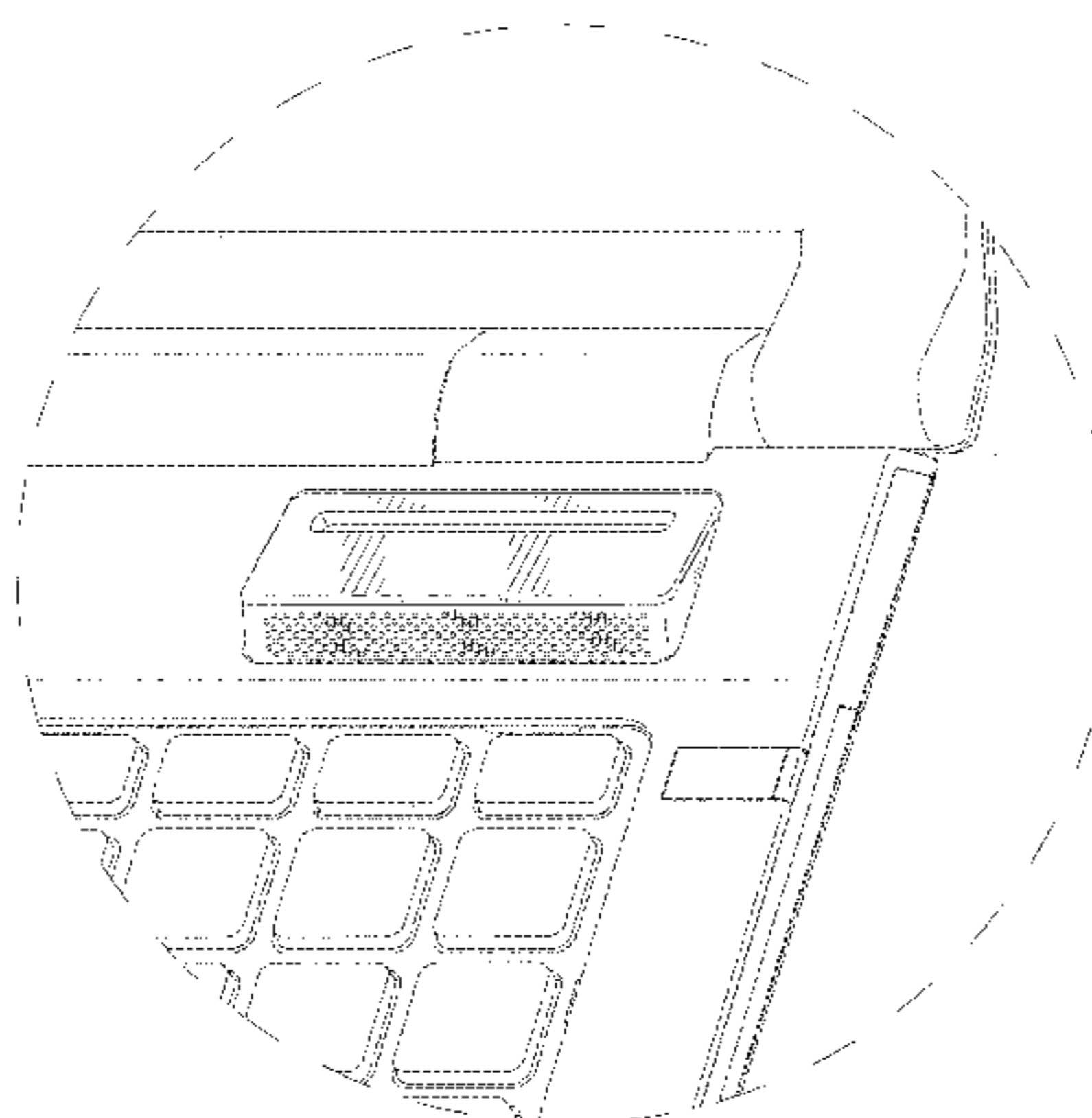
**DESCRIPTION**

FIG. 1 is a perspective view of a notebook computer showing a first embodiment of our new design;

FIG. 2 is a top view of the first embodiment;  
FIG. 3 is a bottom view of the first embodiment;  
FIG. 4 is a left side view of the first embodiment;  
FIG. 5 is a right side view of the first embodiment;  
FIG. 6 is a rear view of the first embodiment;  
FIG. 7 is a front view of the first embodiment;  
FIG. 8 is an enlarged view of an indicated portion of FIG. 1 of the first embodiment;  
FIG. 9 is an enlarged view of an indicated portion of FIG. 5 of the first embodiment;  
FIG. 10 is a perspective view of a notebook computer showing a second embodiment of our new design;  
FIG. 11 is a top view of the second embodiment;  
FIG. 12 is a bottom view of the second embodiment;  
FIG. 13 is a left side view of the second embodiment;  
FIG. 14 is a right side view of the second embodiment;  
FIG. 15 is a rear view of the second embodiment;  
FIG. 16 is a front view of the second embodiment;  
FIG. 17 is an enlarged view of an indicated portion of FIG. 10 of the second embodiment;  
FIG. 18 is an enlarged view of an indicated portion of FIG. 14 of the second embodiment;  
FIG. 19 is a perspective view of a notebook computer showing a third embodiment of our new design;  
FIG. 20 is a top view of the third embodiment;  
FIG. 21 is a bottom view of the third embodiment;  
FIG. 22 is a left side view of the third embodiment;  
FIG. 23 is a right side view of the third embodiment;  
FIG. 24 is a rear view of the third embodiment;  
FIG. 25 is a front view of the third embodiment;  
FIG. 26 is an enlarged view of an indicated portion of FIG. 19 of the third embodiment; and,  
FIG. 27 is an enlarged view of an indicated portion of FIG. 23 of the third embodiment.

The broken lines shown in the drawings represent unclaimed portions of the notebook computer and form no part of the claimed design. The corner portions of the notebook computer shown in broken lines in FIGS. 8-9, FIGS. 17-18 and FIGS. 26-27 represent unclaimed portions of the claimed design and form no part thereof.

**1 Claim, 24 Drawing Sheets**



# US D762,636 S

Page 2

---

(56)

## References Cited

### U.S. PATENT DOCUMENTS

	7,916,889 B2 *	3/2011	Takakusaki .....	381/388
	2005/0069159 A1 *	3/2005	Nakazato .....	381/306
	2007/0166019 A1 *	7/2007	Kitahara .....	396/51
D630,626 S *	1/2011	Fujita et al. ....	D14/318	* cited by examiner

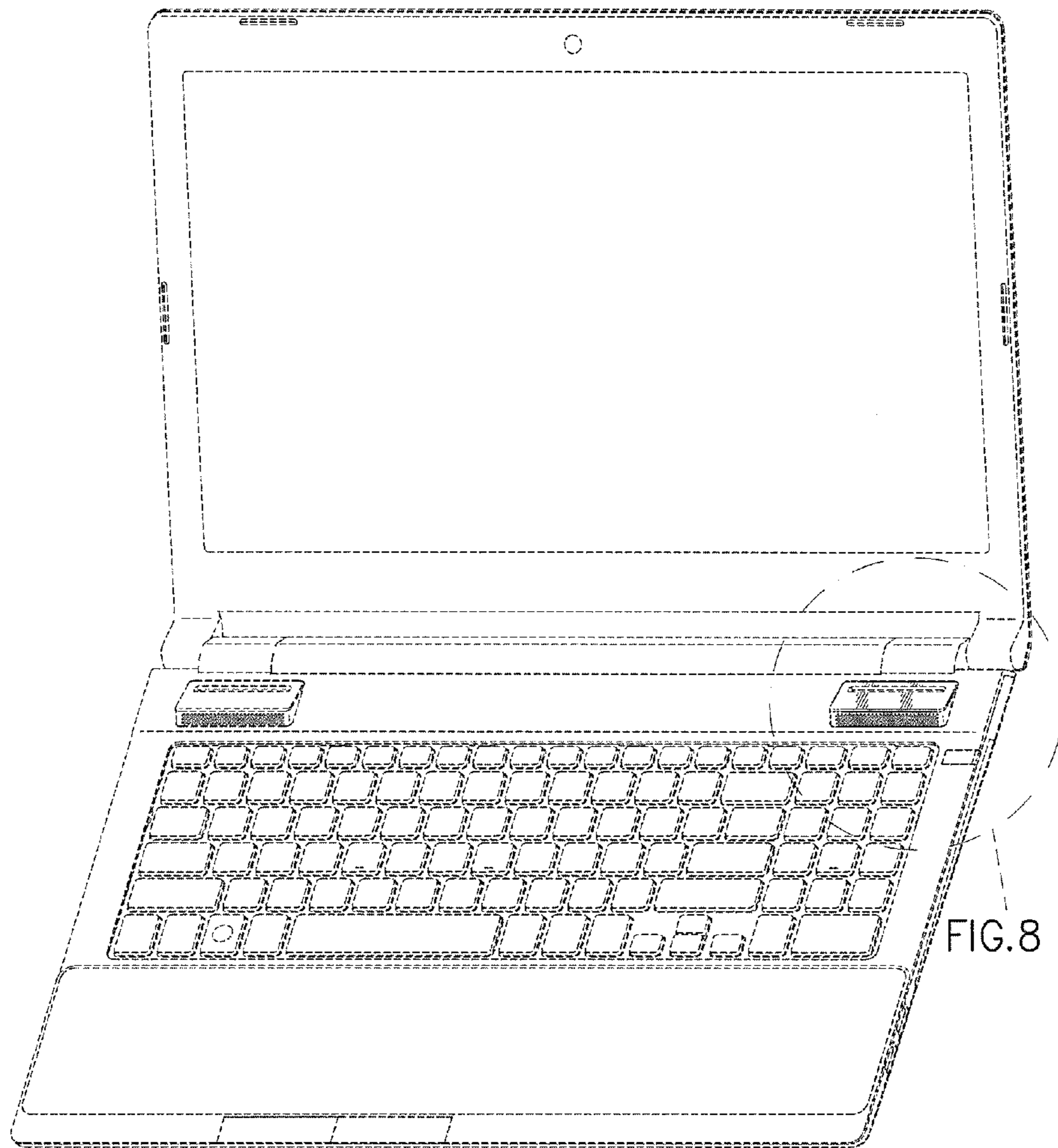


FIG. 1

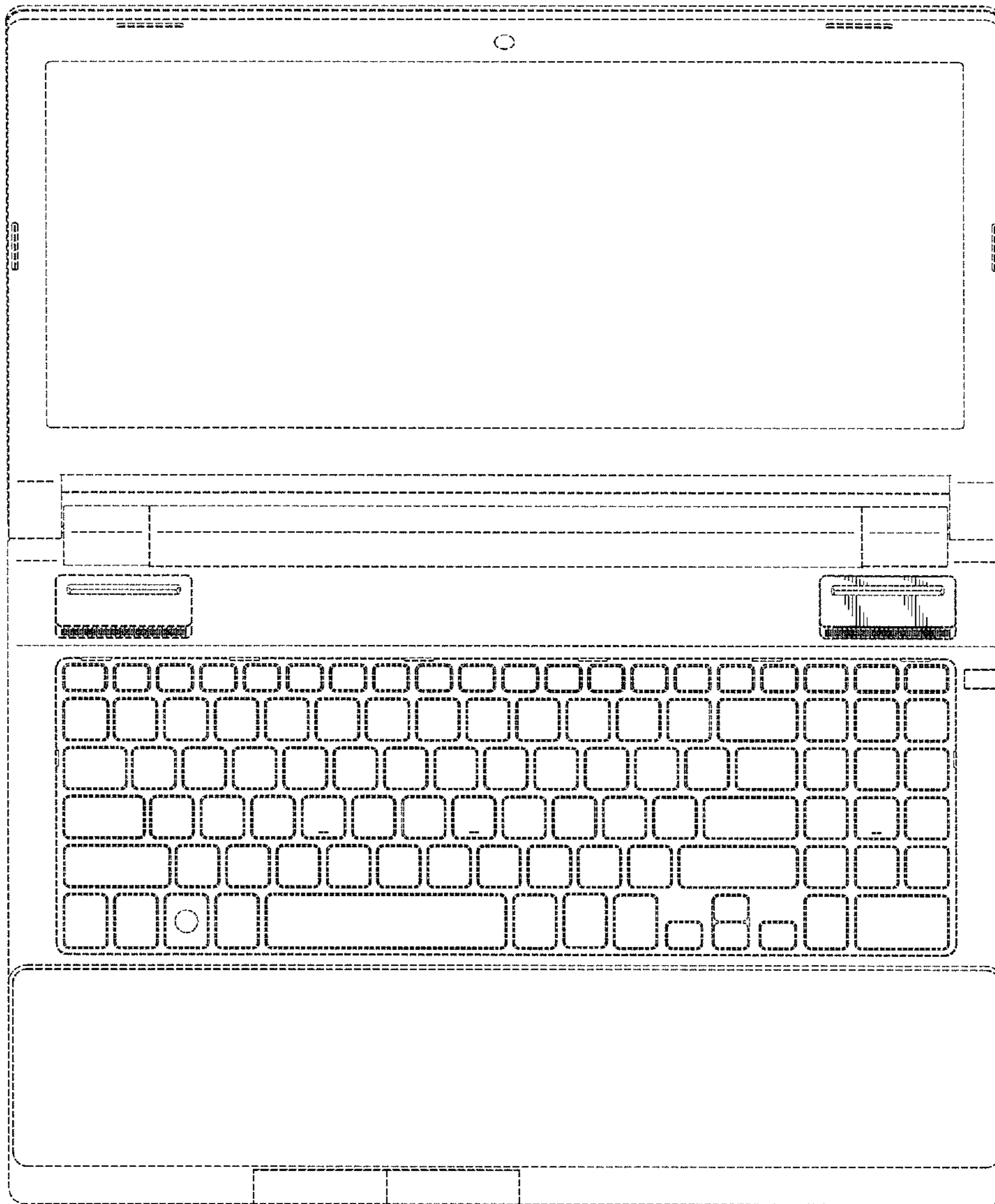


FIG. 2

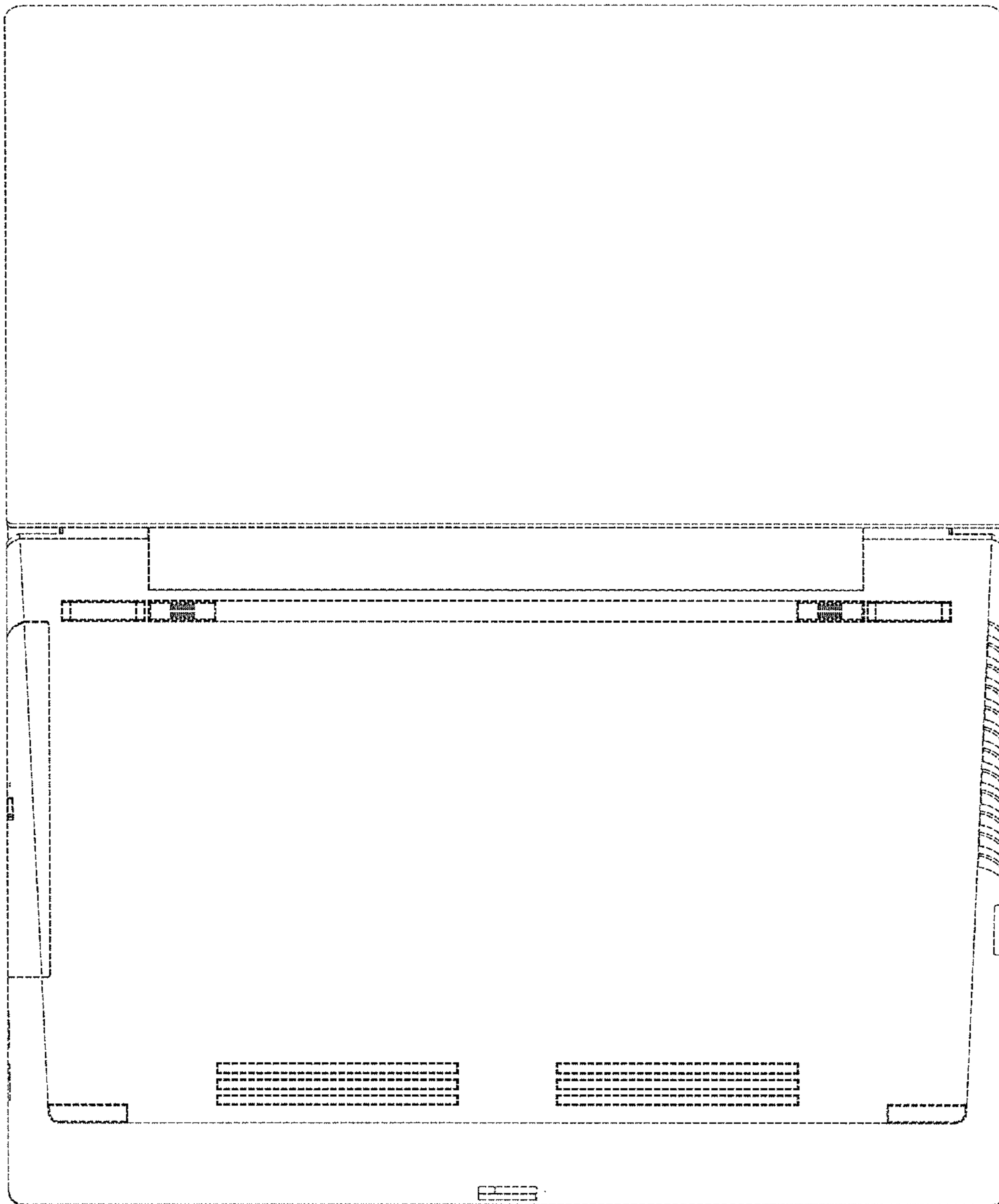


FIG. 3



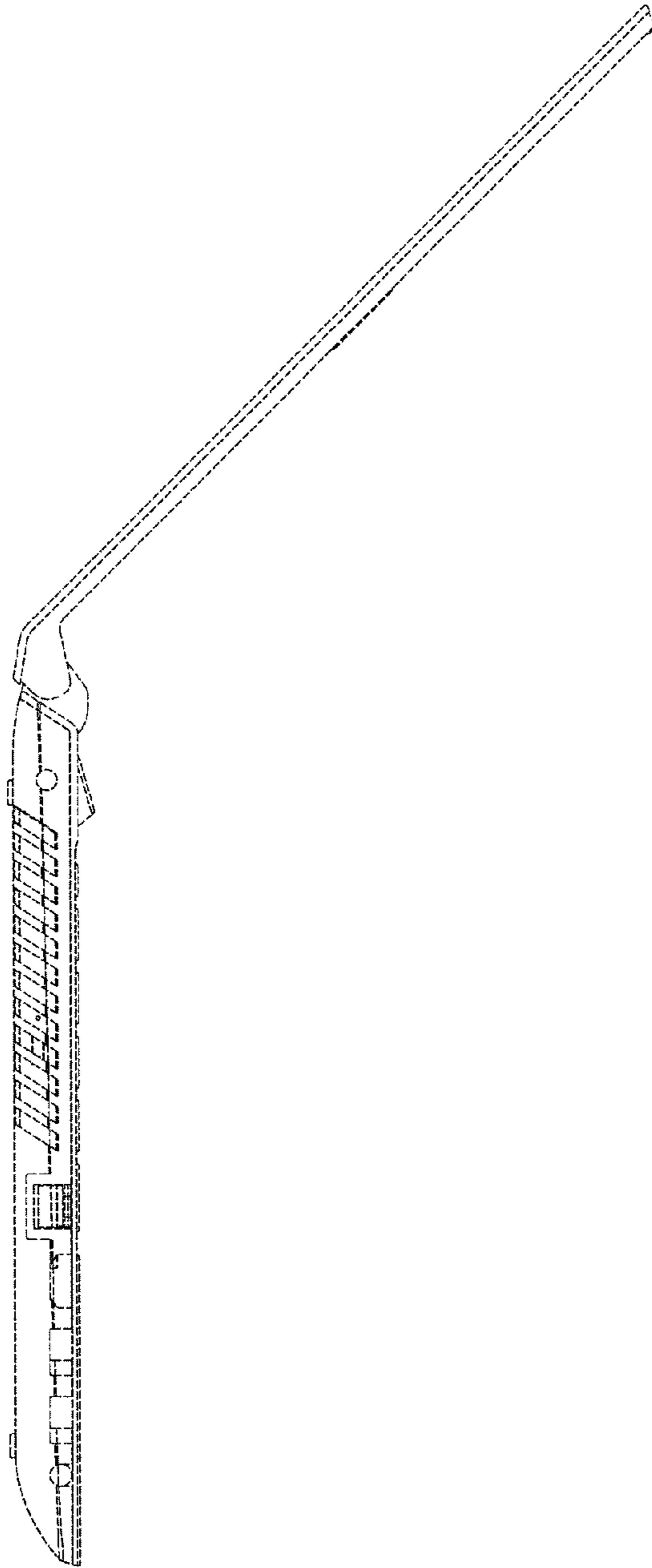


FIG. 4

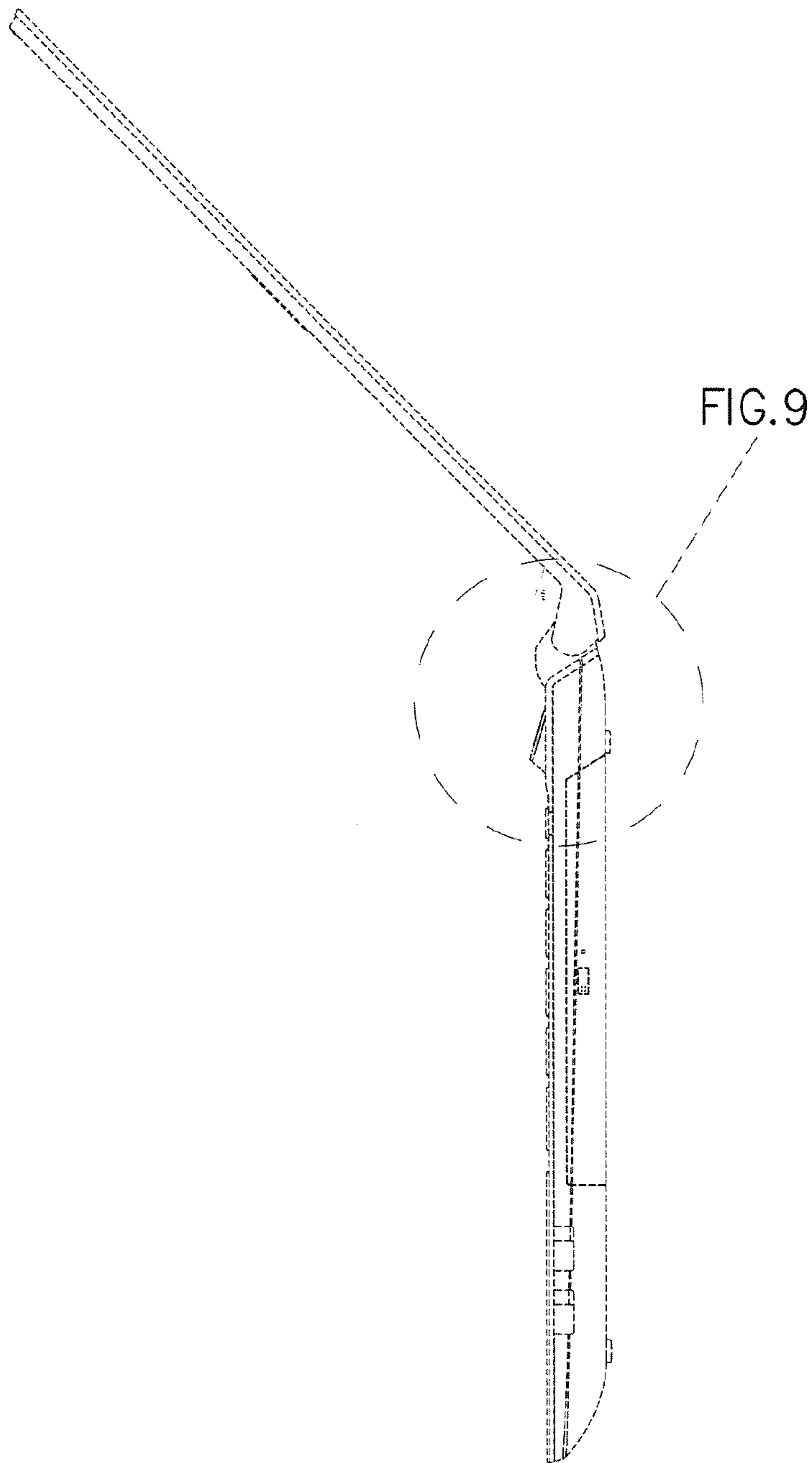


FIG. 5



FIG. 6

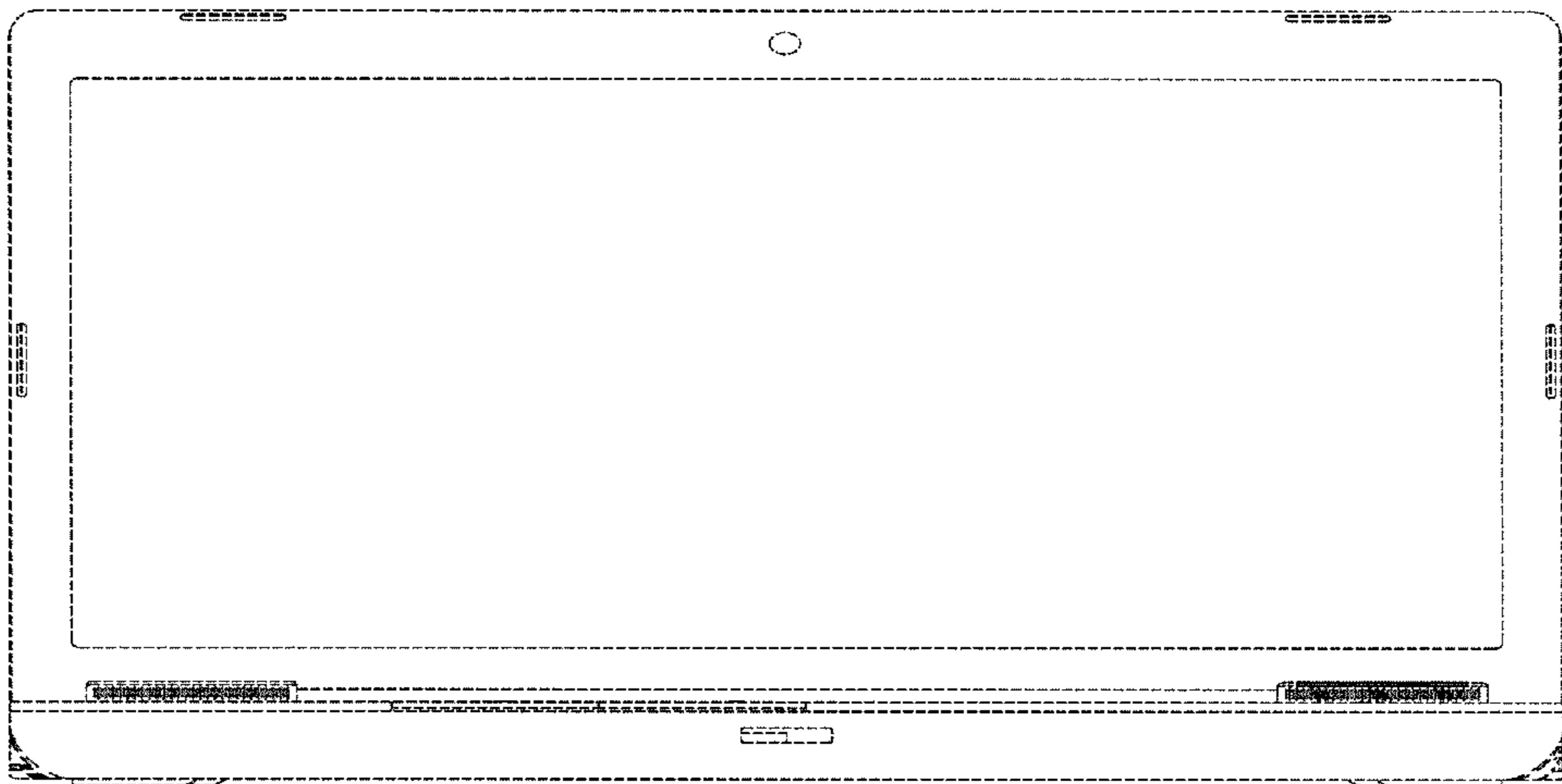


FIG. 7



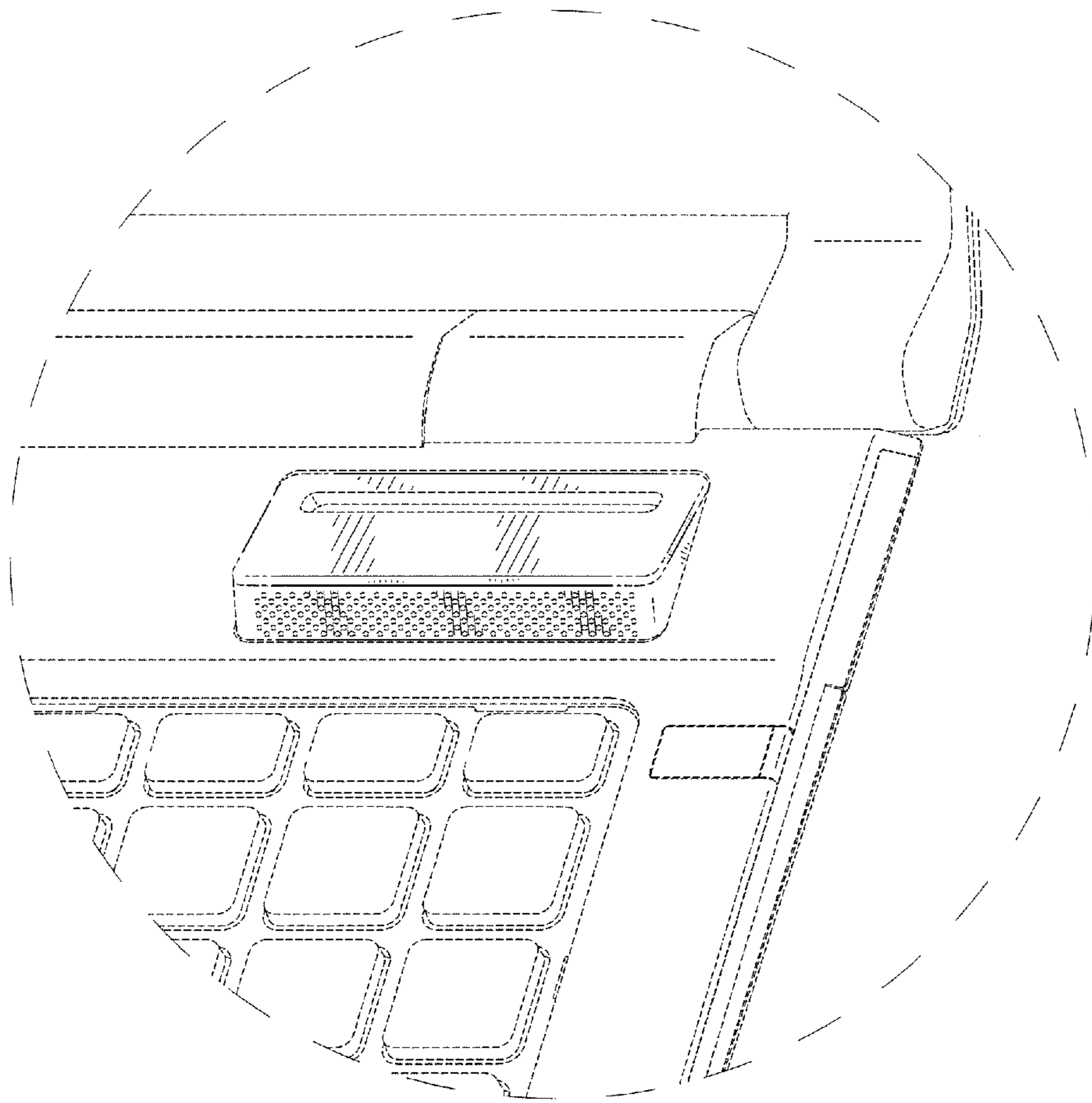


FIG. 8

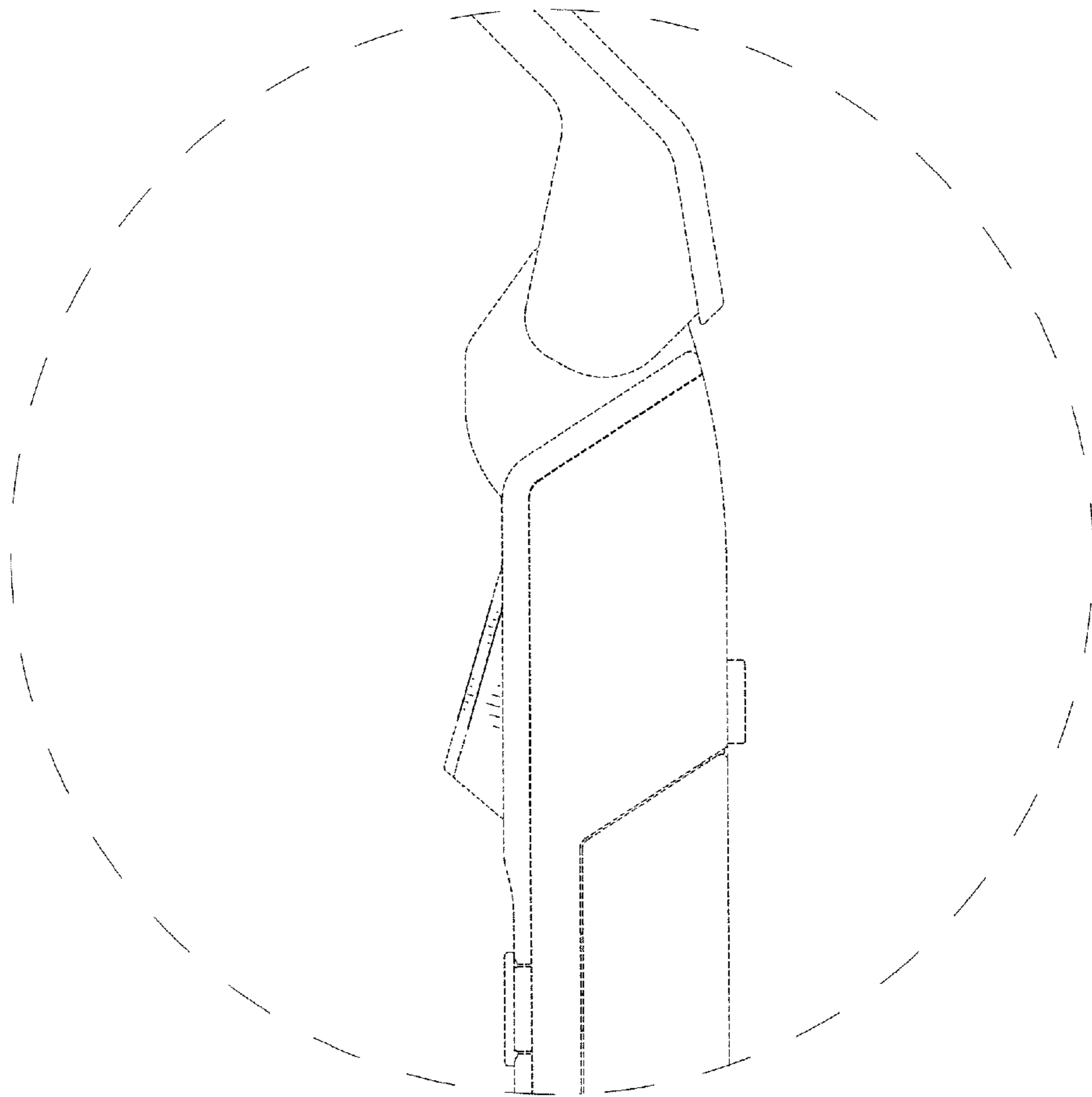


FIG. 9

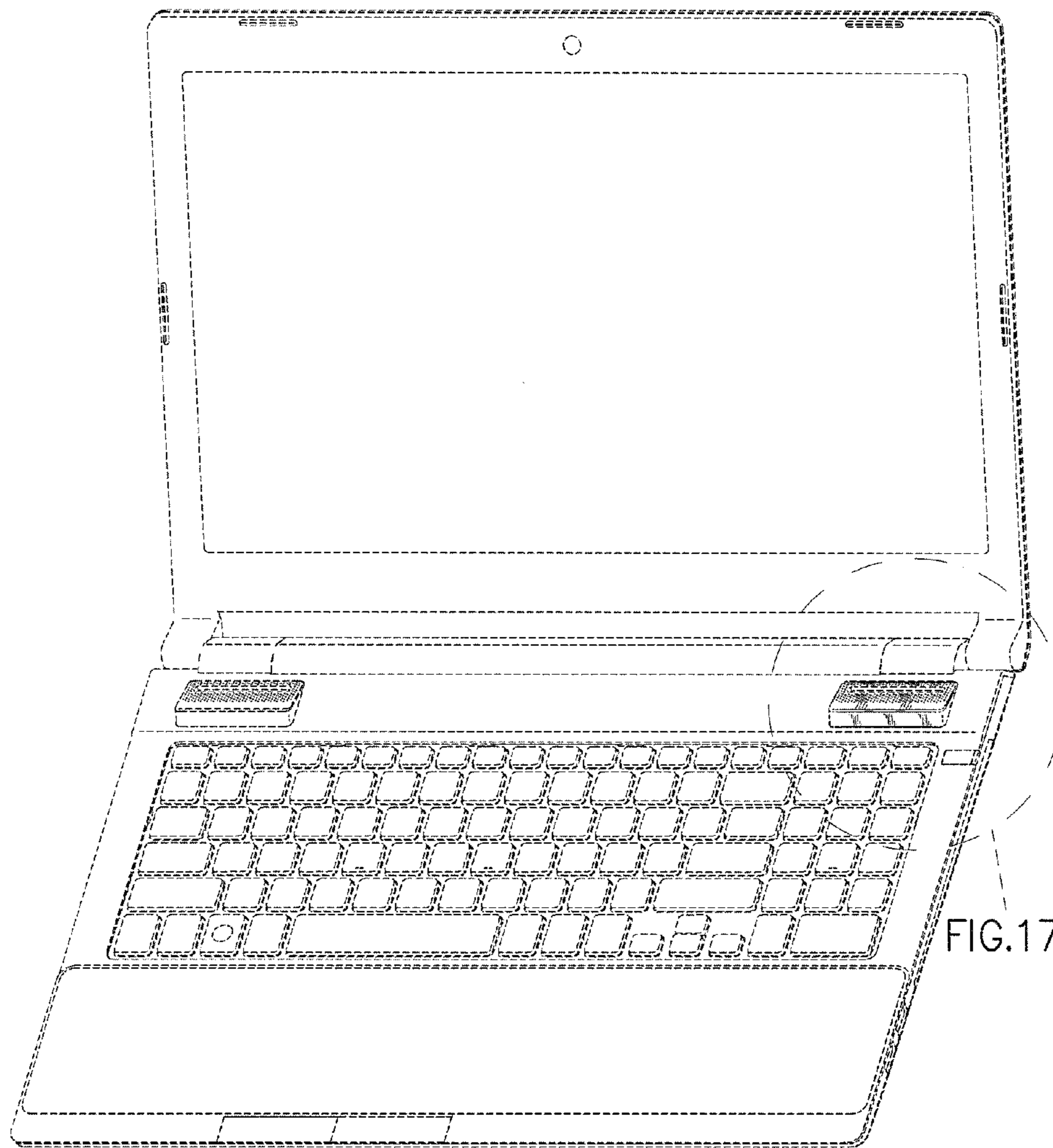


FIG. 10

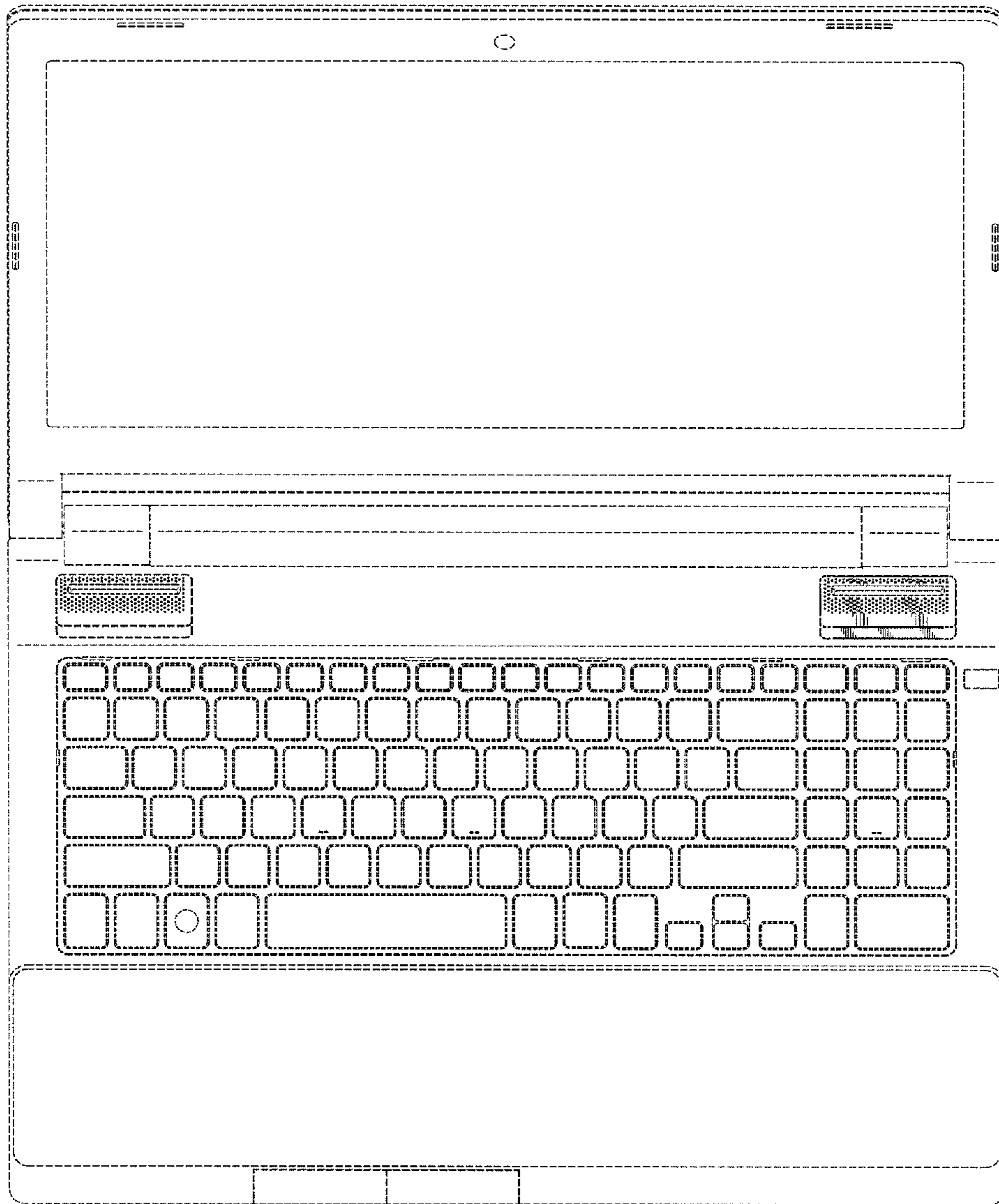


FIG. 11

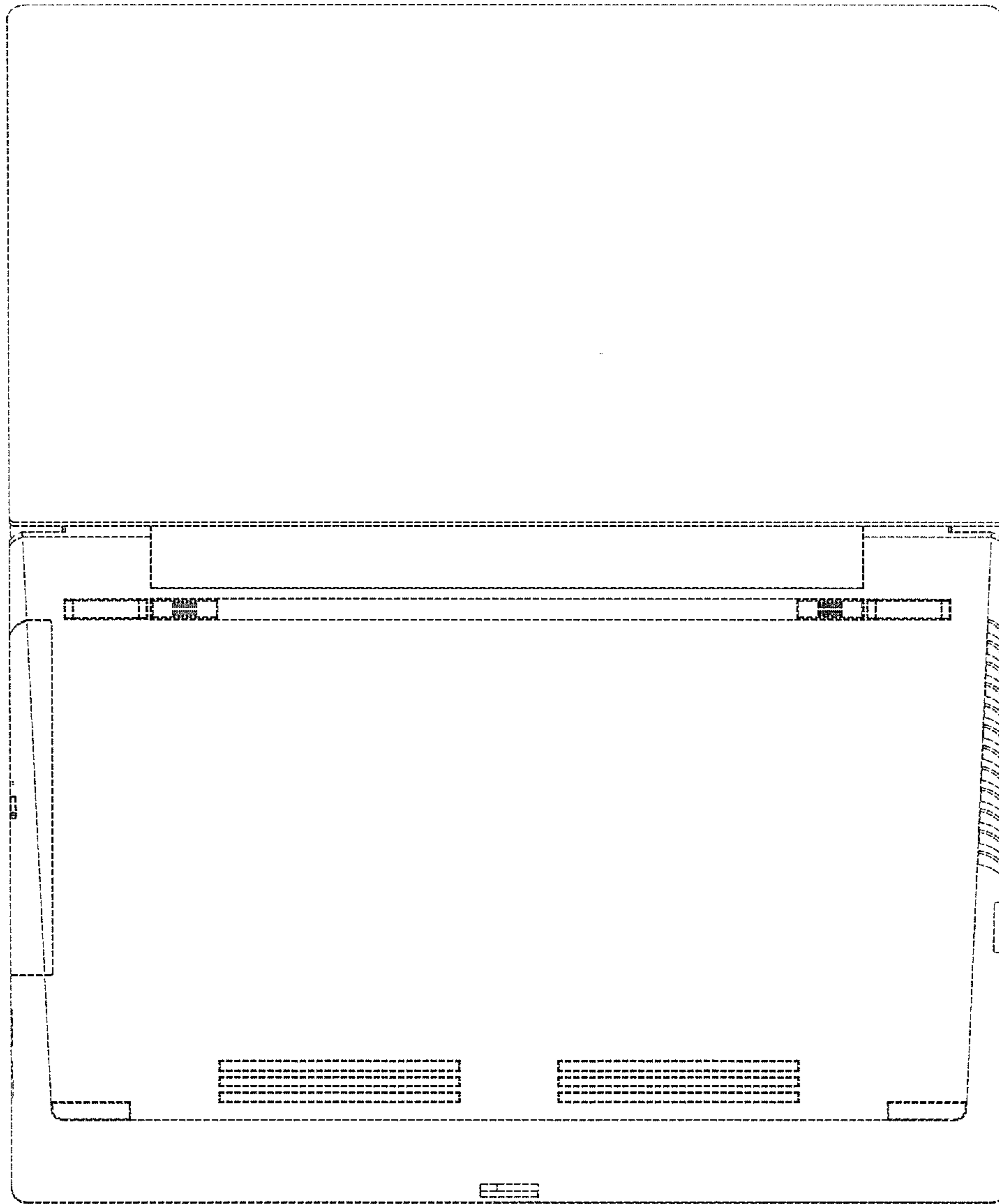


FIG. 12

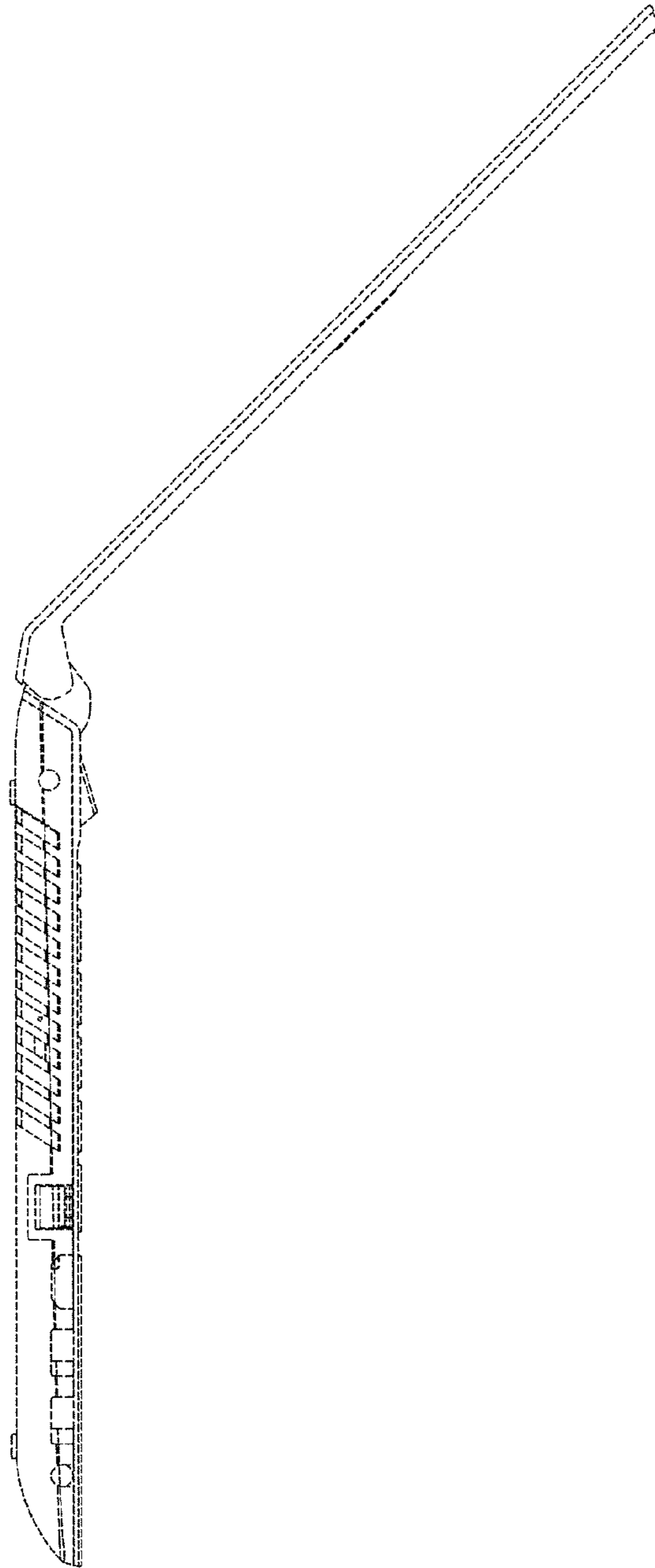


FIG. 13



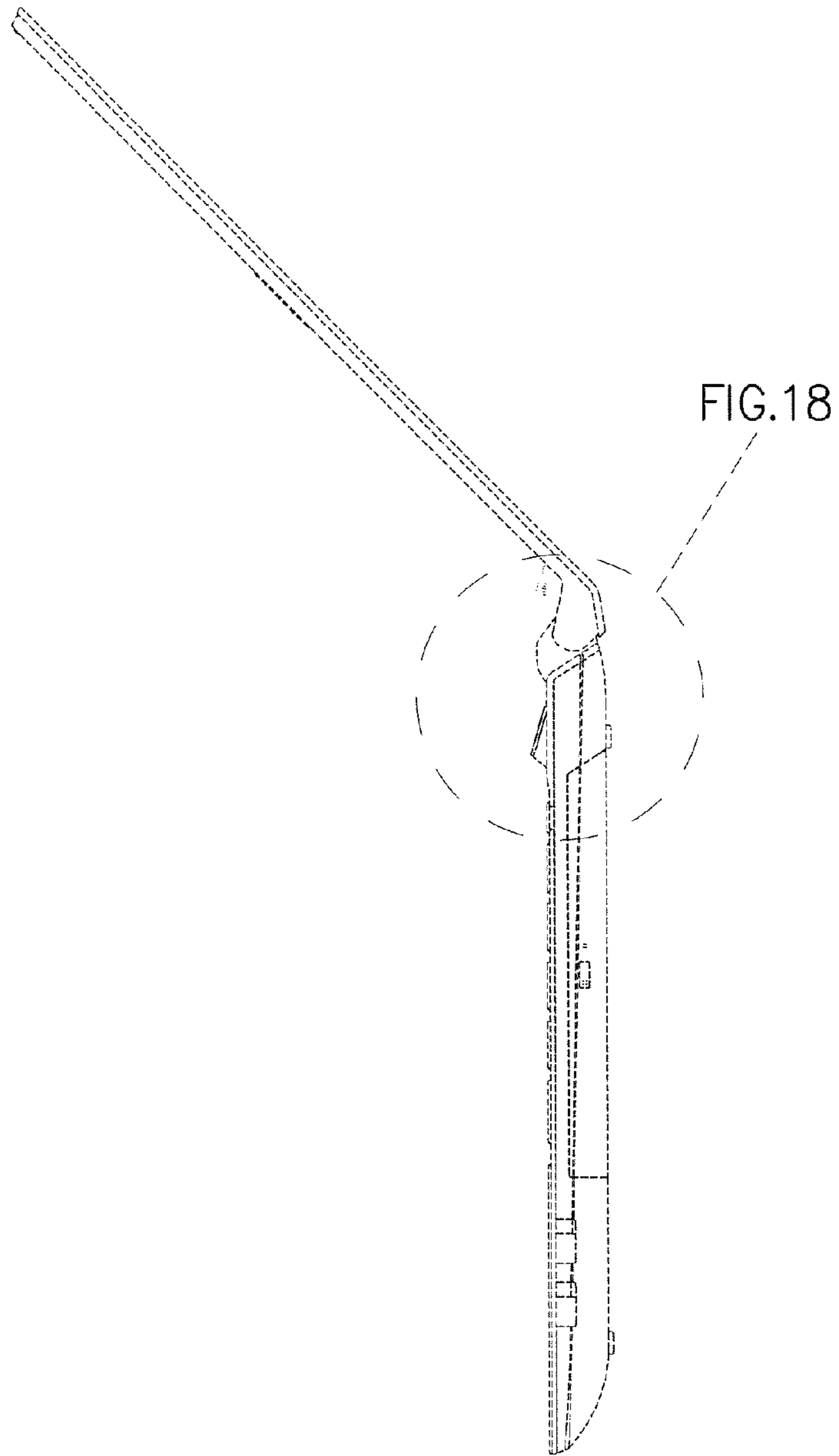


FIG. 14

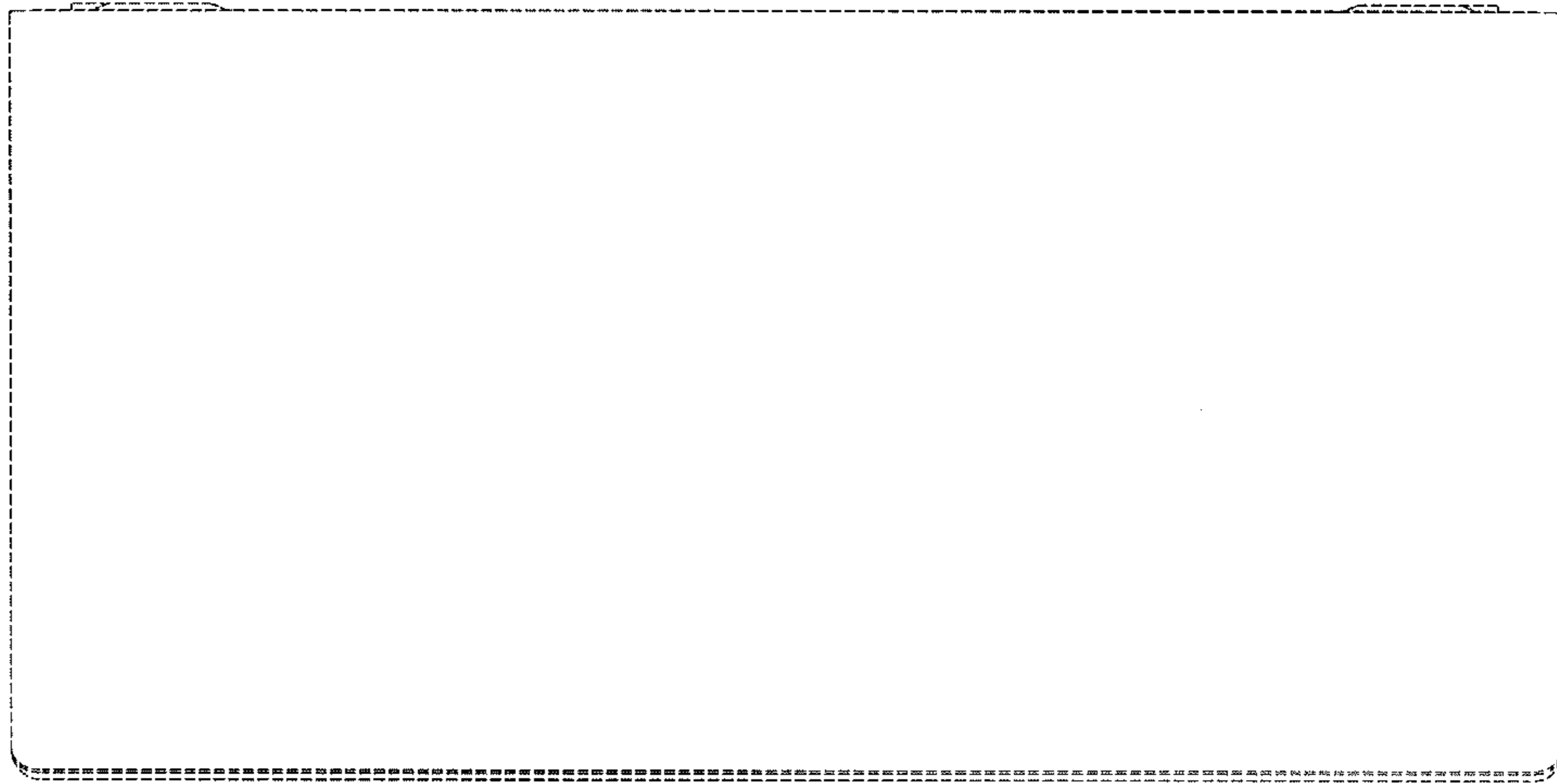


FIG. 15

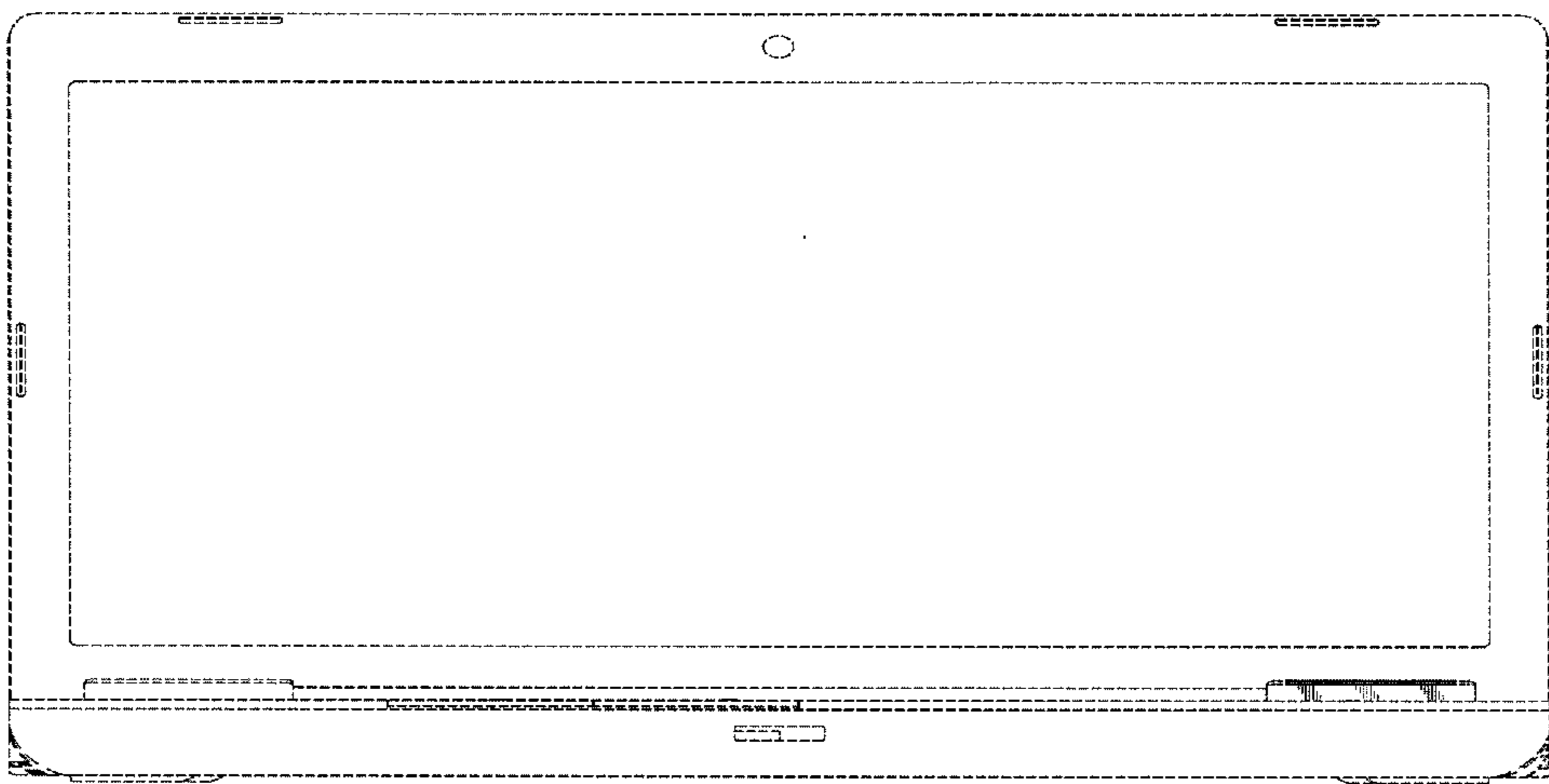


FIG. 16

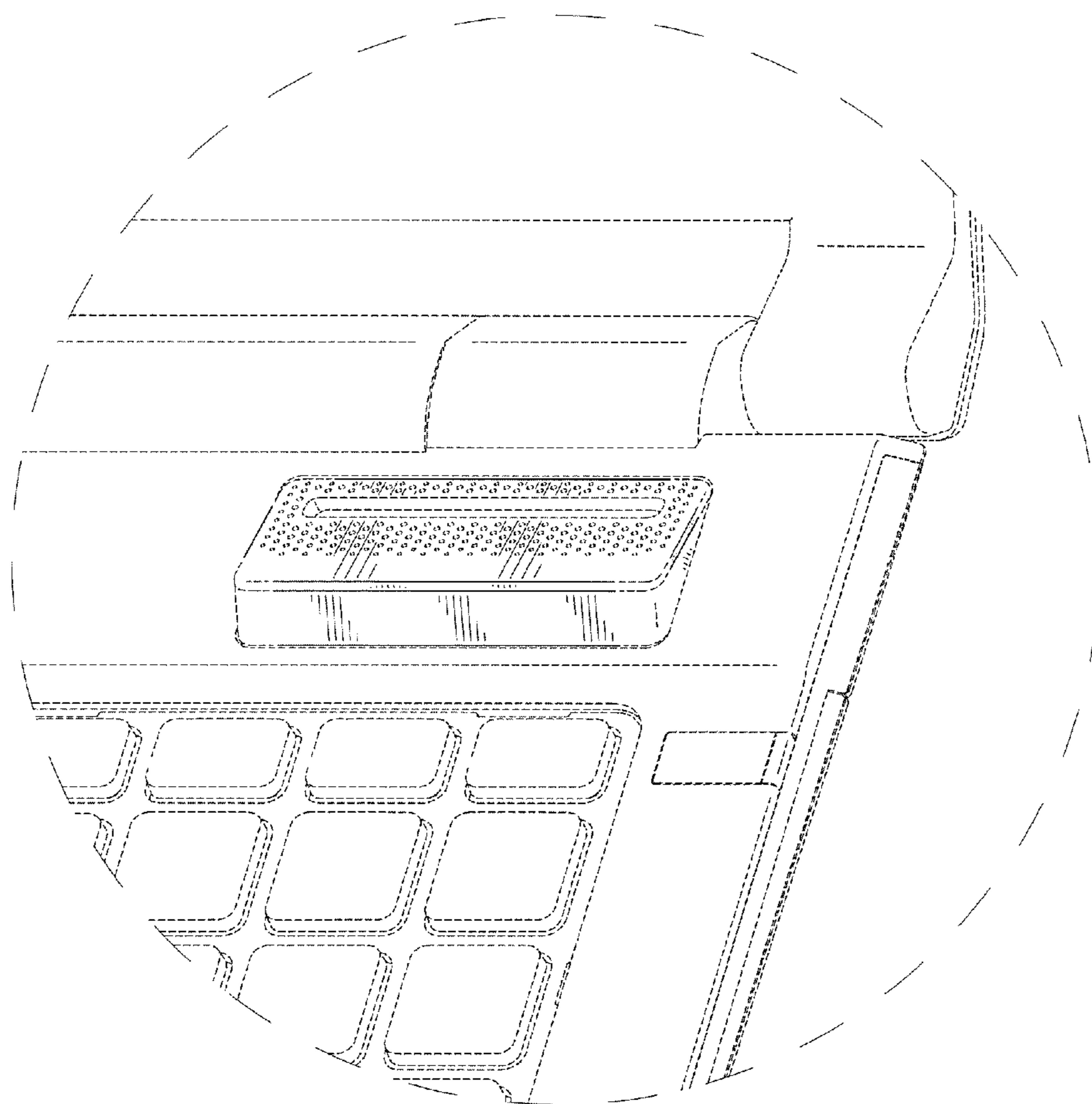


FIG. 17

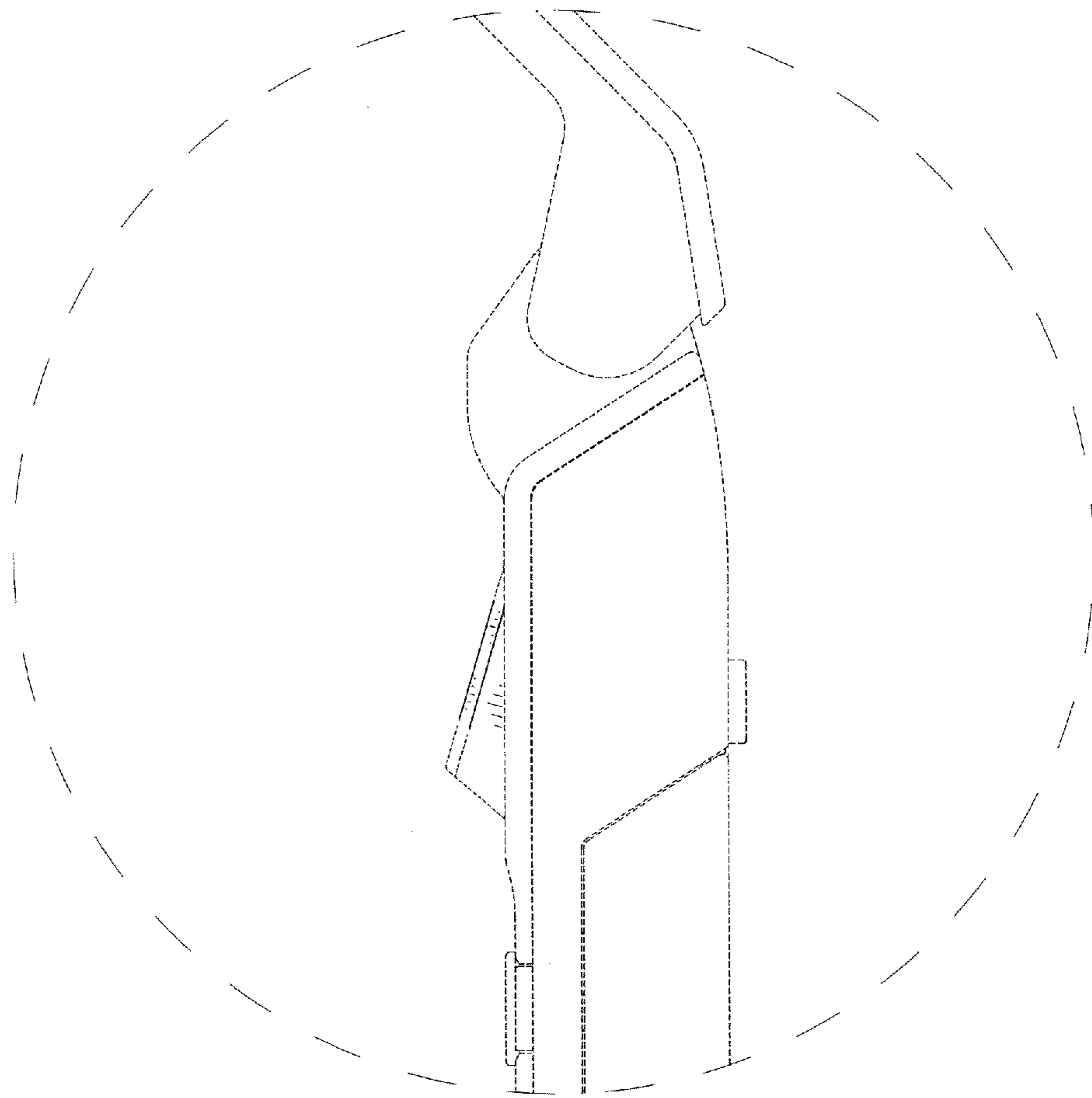


FIG. 18

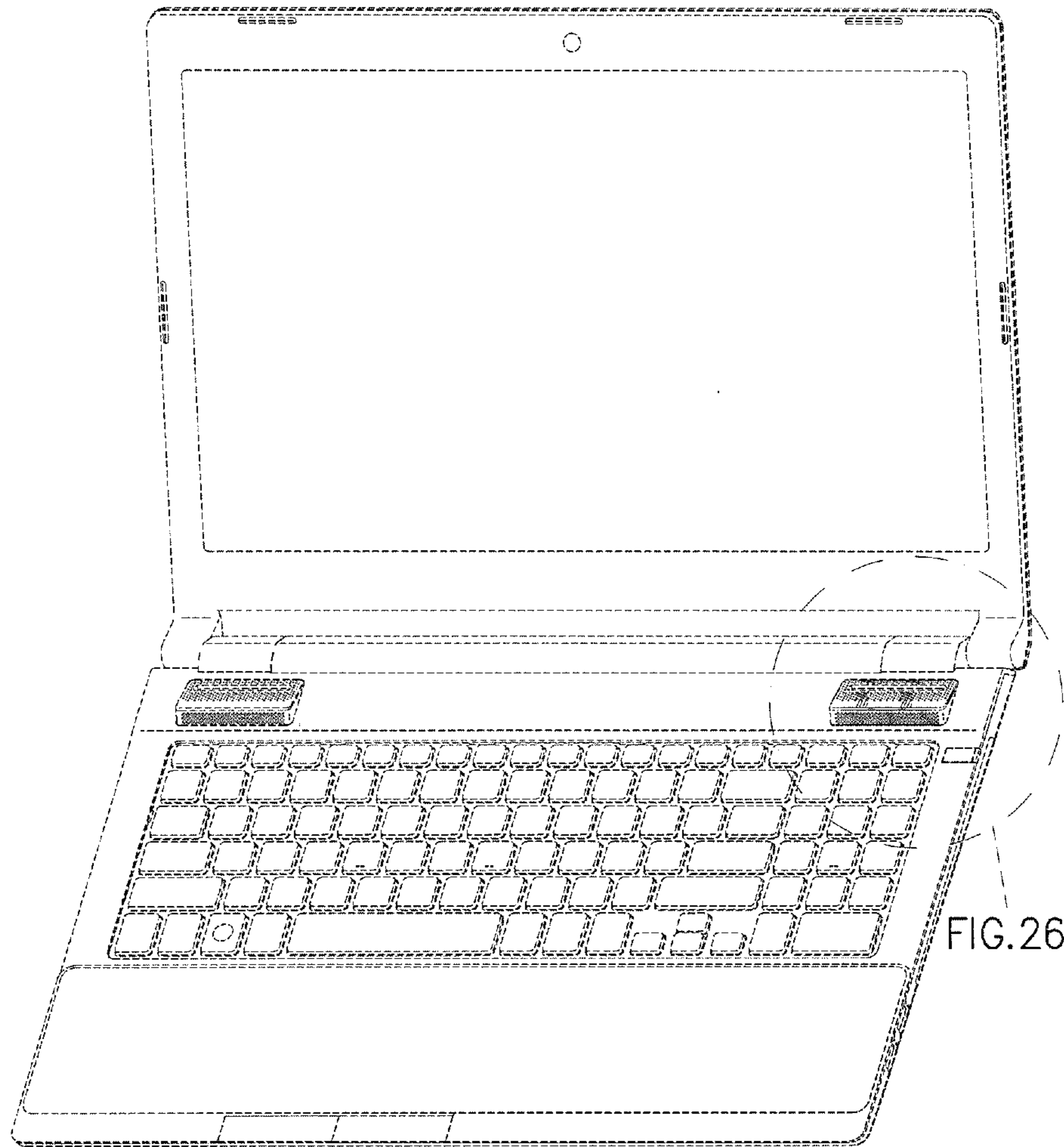


FIG. 19

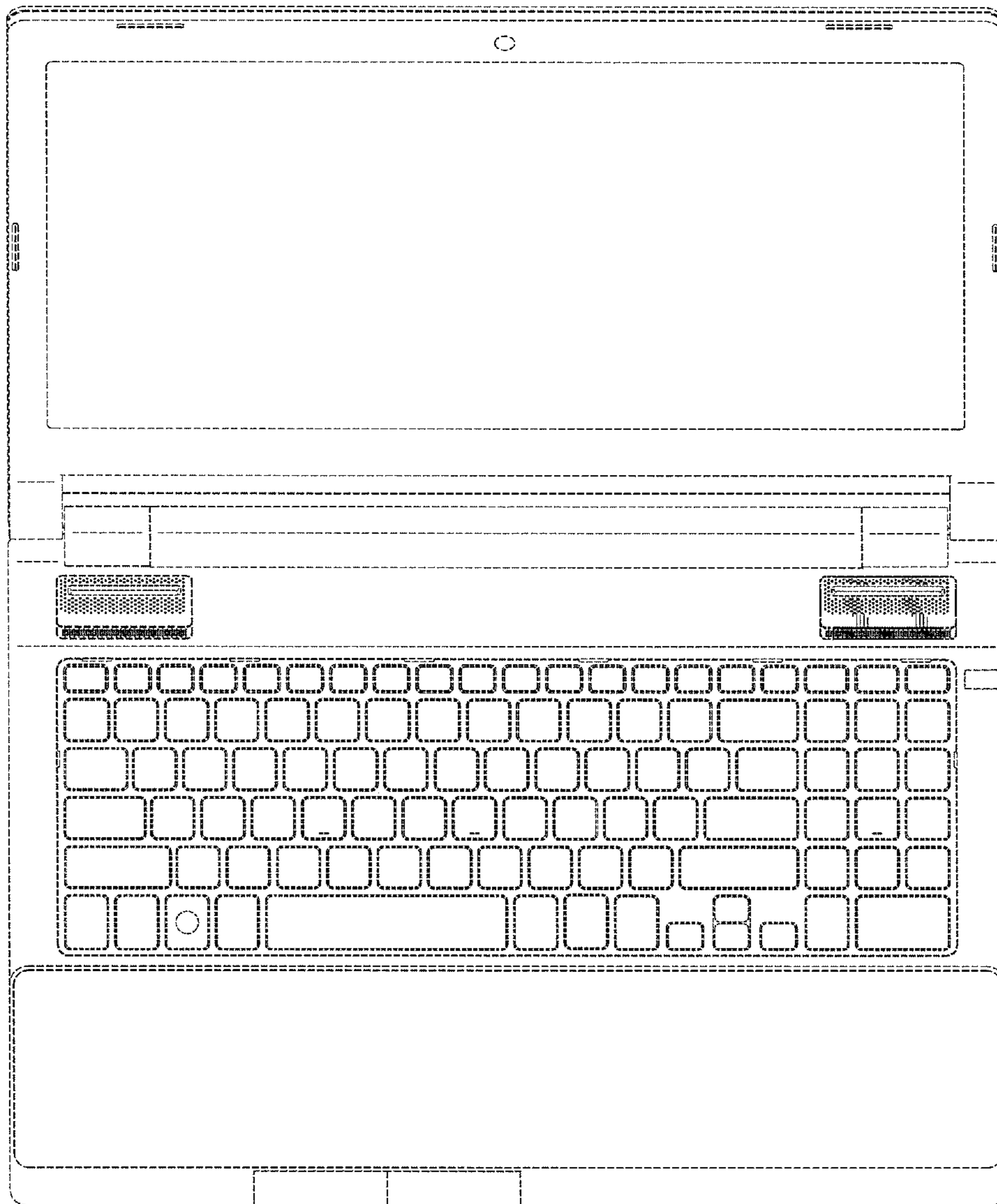


FIG. 20



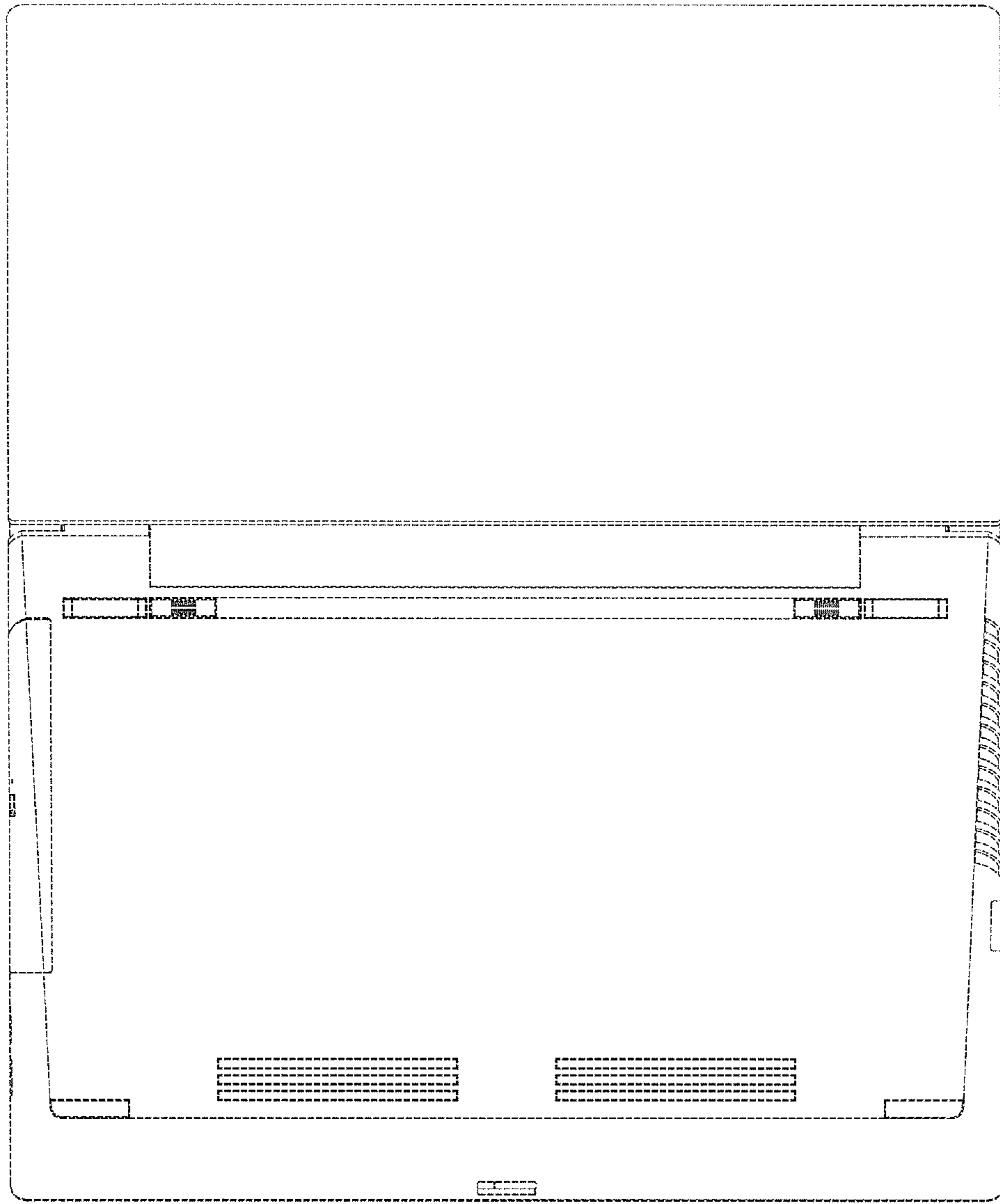


FIG. 21

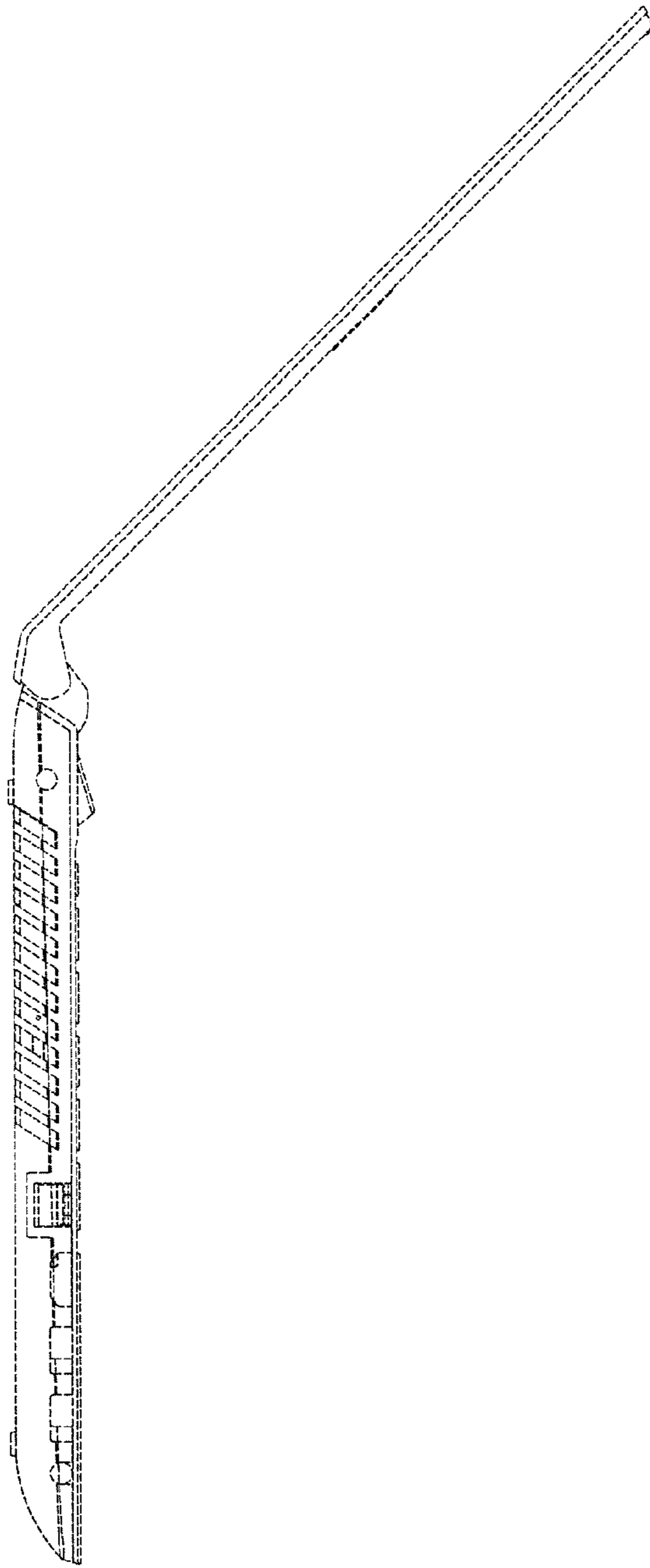


FIG. 22

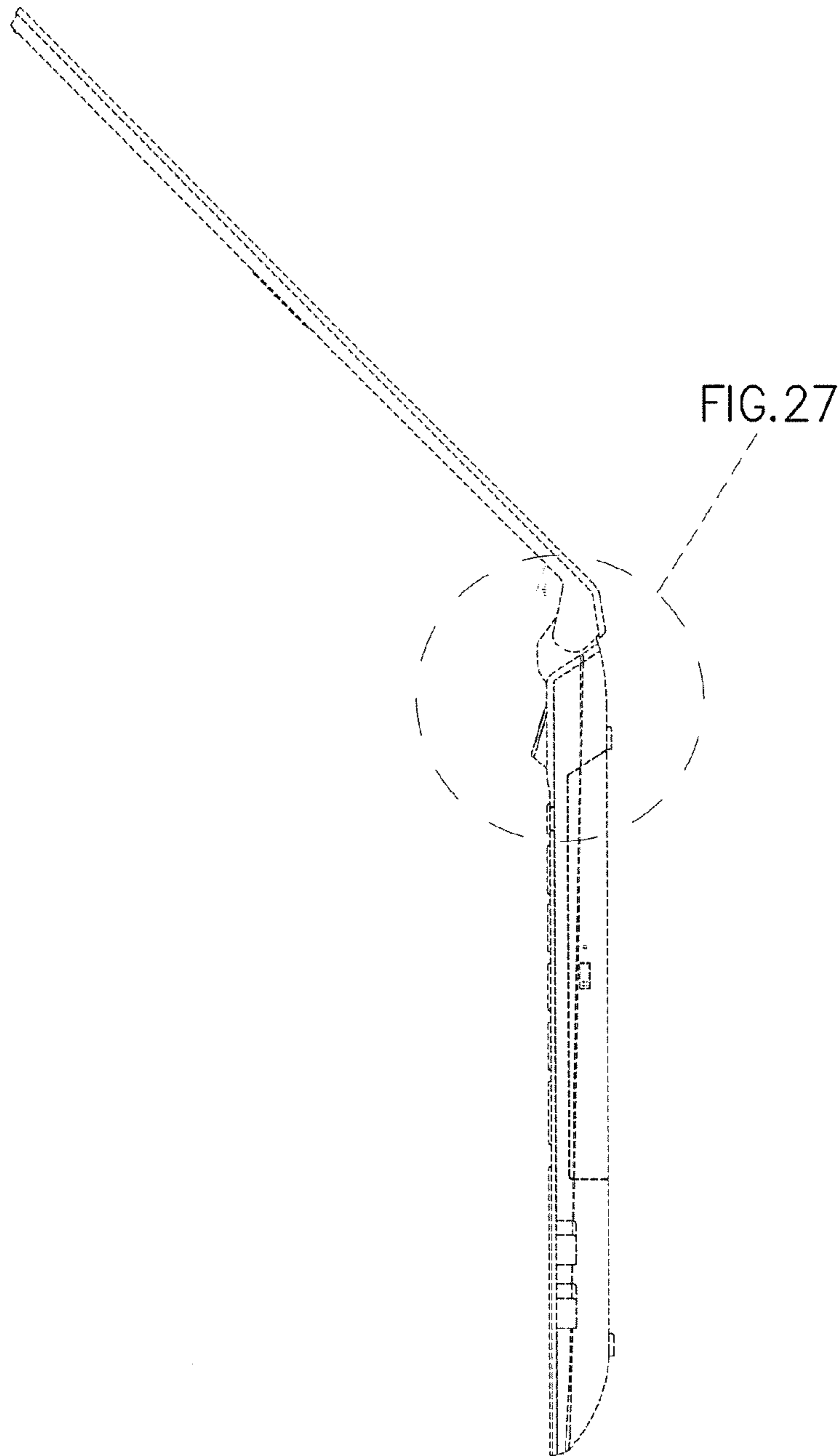


FIG. 23

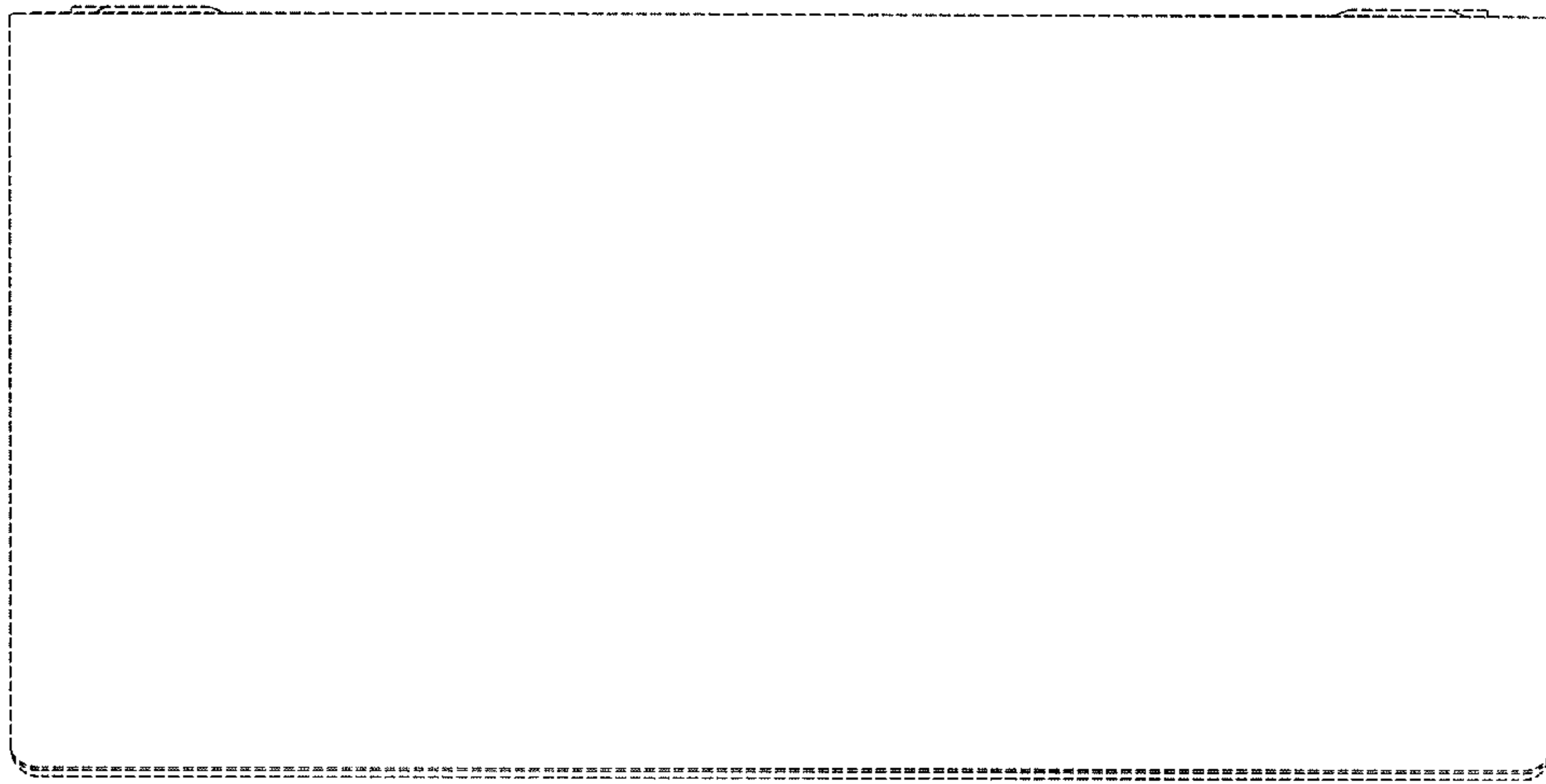


FIG. 24

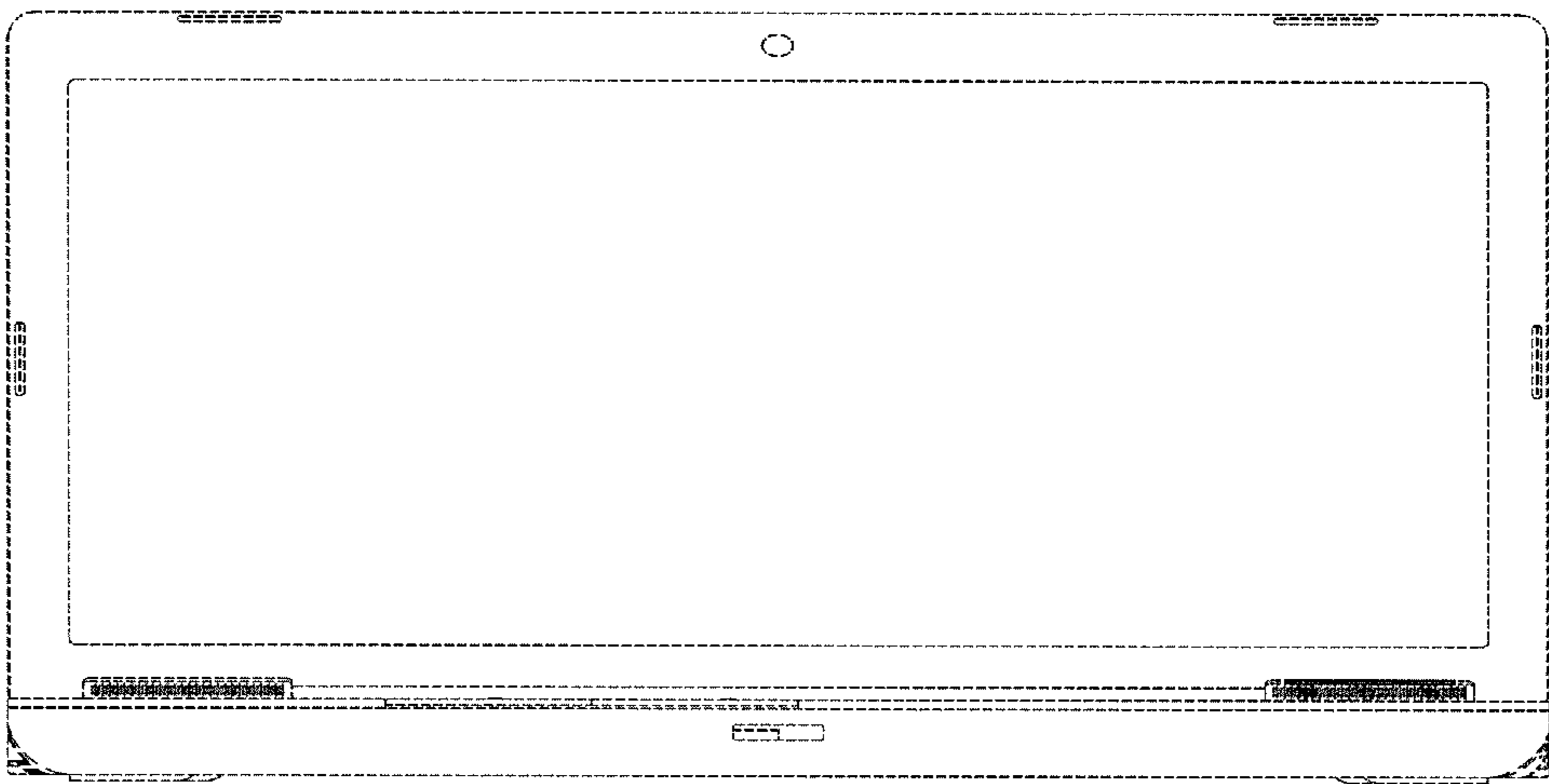


FIG. 25

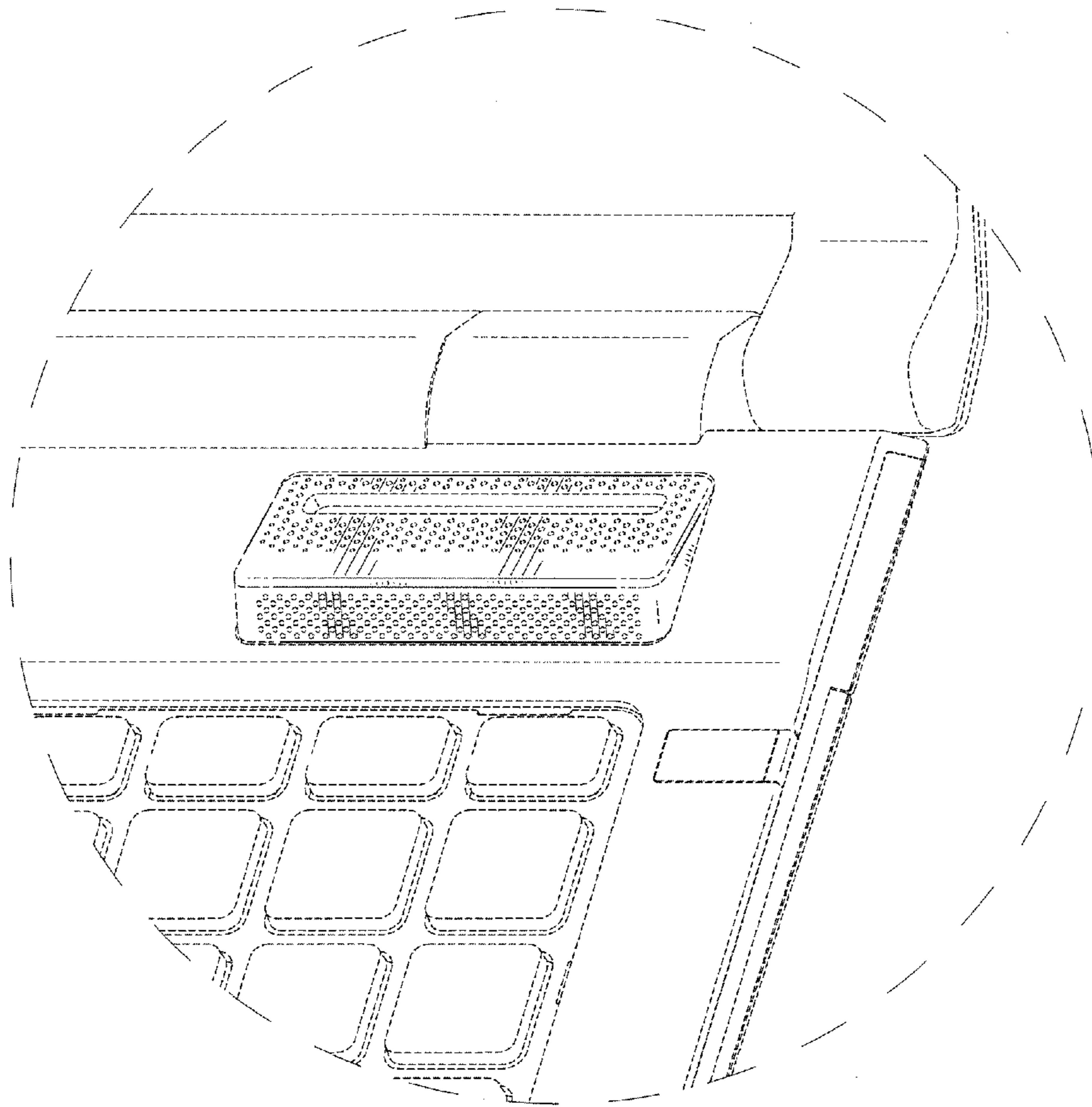


FIG. 26

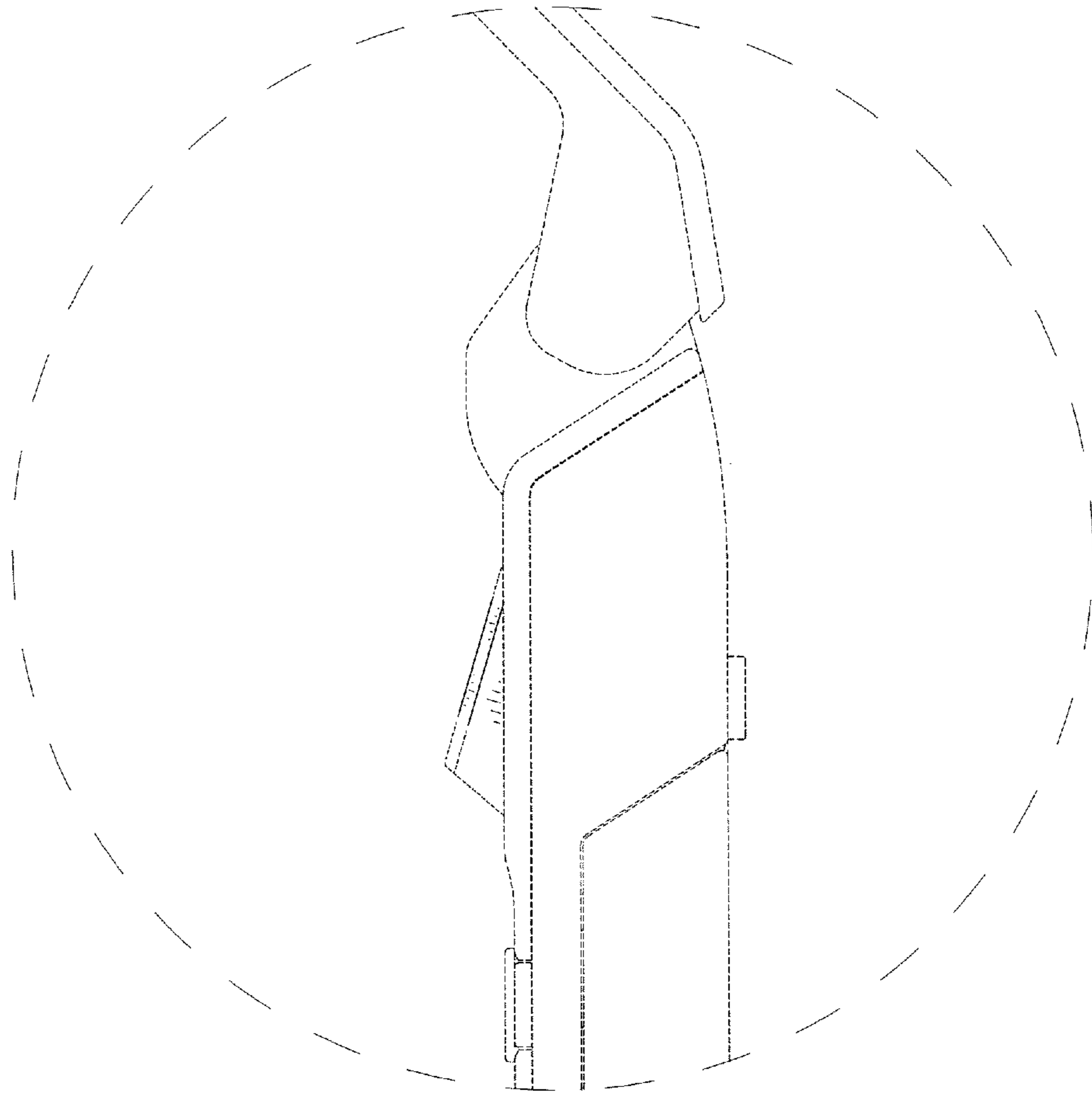


FIG. 27