



US00D762635S

(12) **United States Design Patent**
Szeredi et al.

(10) **Patent No.:** **US D762,635 S**

(45) **Date of Patent:** **** Aug. 2, 2016**

(54) **KIOSK**

(71) Applicant: **SITA Information Networking Computing Canada, Inc.**, Montreal (CA)

(72) Inventors: **Bonnie Lynn Szeredi**, Montreal (CA); **Matthew Joseph Salari**, Montreal (CA); **Kirk Mosna**, Hamilton, CA (US); **Steve Orzel**, Hamilton (CA); **Graham Hills**, Hamilton (CA)

(73) Assignee: **SITA INFORMATION NETWORKING COMPUTING CANADA, INC.**, Quebec (CA)

(**) Term: **14 Years**

(21) Appl. No.: **29/522,376**

(22) Filed: **Mar. 30, 2015**

(30) **Foreign Application Priority Data**

Sep. 30, 2014 (EM) 002548677

(51) **LOC (10) Cl.** **14-02**

(52) **U.S. Cl.**
USPC **D14/307**

(58) **Field of Classification Search**
USPC D14/302-307, 900-902; D13/163; D20/10; D21/332, 325, 369, 370; D99/28; D6/397, 466; 194/206; 361/679.01, 679.02, 679.04, 679.21, 361/679.57, 725
CPC G06Q 20/18; G06Q 20/10; G06Q 20/123; G06Q 20/20; G06Q 30/02; G06Q 30/06; A47F 9/047

See application file for complete search history.

(56) **References Cited**

U.S. PATENT DOCUMENTS

D695,285 S *	12/2013	Smith	D14/307
D727,308 S *	4/2015	Kraft	D14/307
D732,520 S *	6/2015	Themann	D14/307
D732,522 S *	6/2015	Chadbourne	D14/307
D737,808 S *	9/2015	Naumann	D14/307
D738,366 S *	9/2015	Kraft	D14/307
D742,870 S *	11/2015	Berini	D14/307
D743,956 S *	11/2015	Kraft	D14/307

* cited by examiner

Primary Examiner — Austin Murphy

(74) *Attorney, Agent, or Firm* — Morris, Manning & Martin, LLP; Daniel E. Sineway, Esq.; Bryan D. Stewart, Esq.

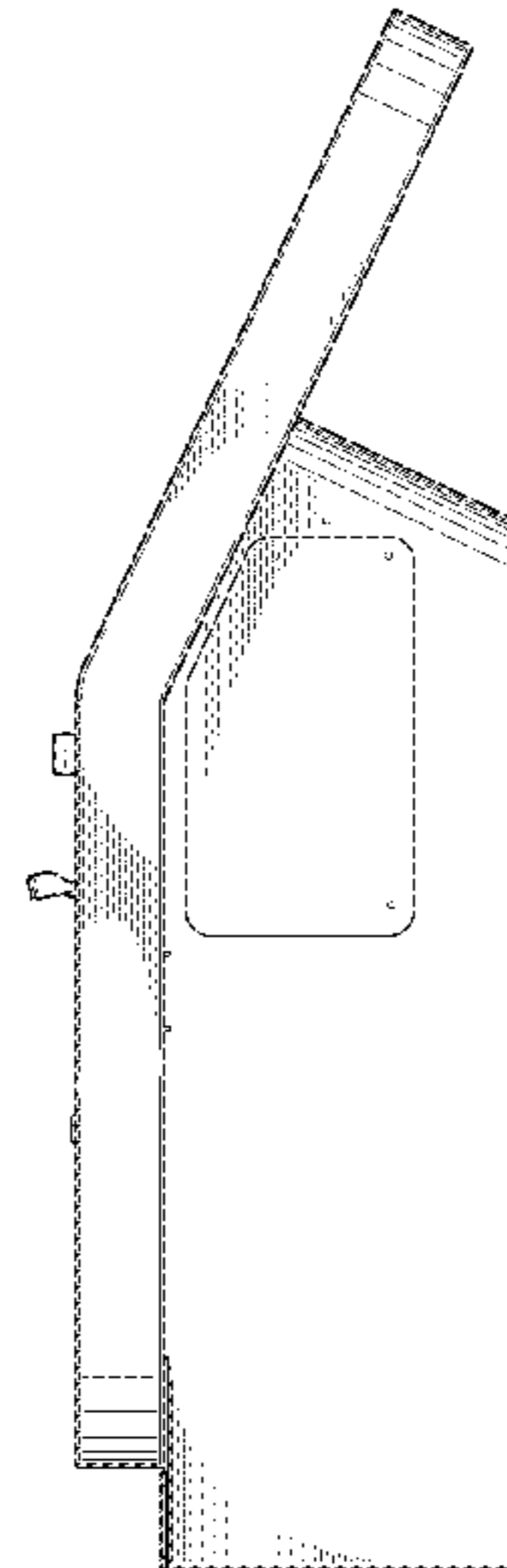
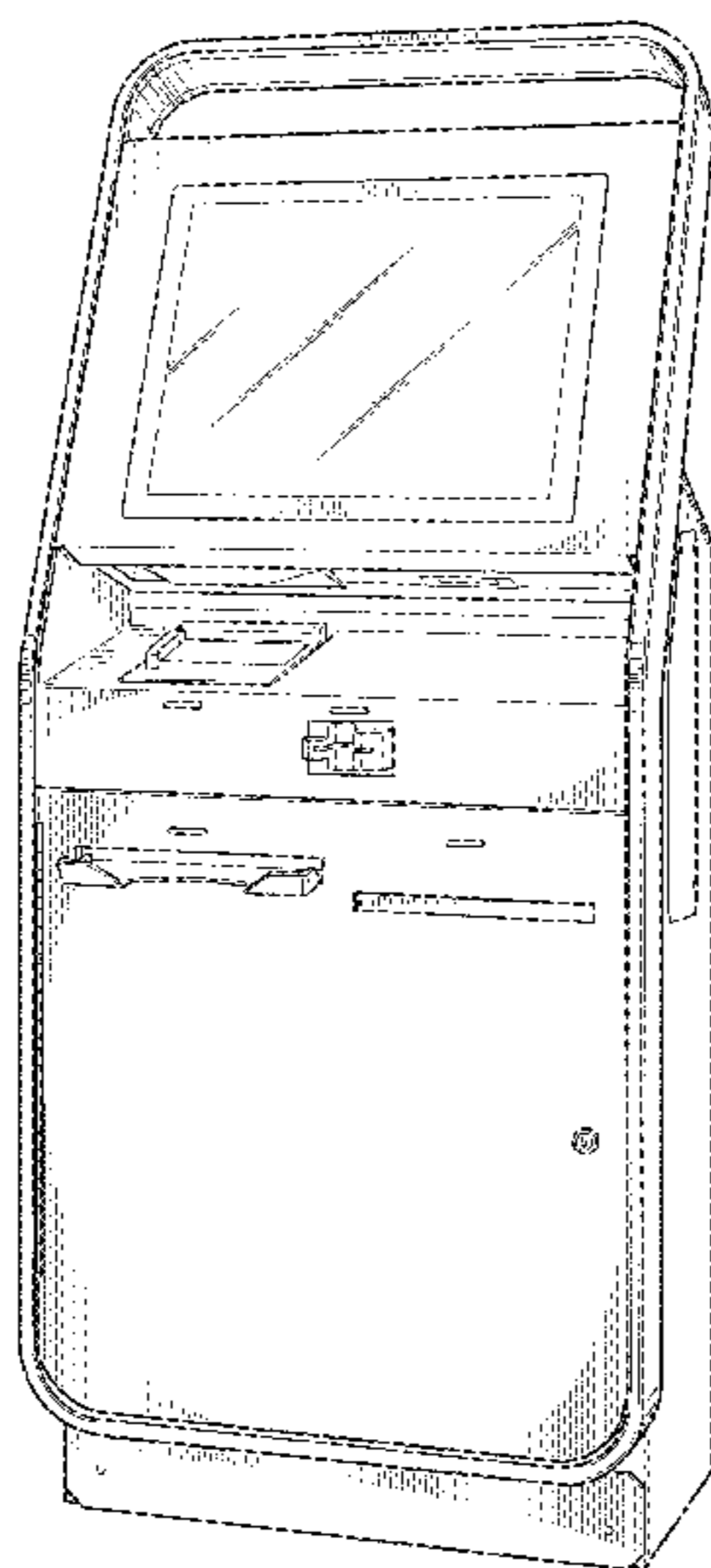
(57) **CLAIM**

The ornamental design for the kiosk, as shown and described.

DESCRIPTION

FIG. 1 is a perspective view of an exemplary kiosk, according to one embodiment of the present disclosure; FIG. 2 is a side view of an exemplary kiosk, according to one embodiment of the present disclosure; FIG. 3 is a side view of an exemplary kiosk, according to one embodiment of the present disclosure; FIG. 4 is a front view of an exemplary kiosk, according to one embodiment of the present disclosure; FIG. 5 is a back view of an exemplary kiosk, according to one embodiment of the present disclosure; FIG. 6 is a top view of an exemplary kiosk, according to one embodiment of the present disclosure; FIG. 7 is a bottom view of an exemplary kiosk, according to one embodiment of the present disclosure; FIG. 8 is a perspective view of an exemplary kiosk, according to one embodiment of the present disclosure; and, FIG. 9 is a front view of an exemplary kiosk, according to one embodiment of the present disclosure.

1 Claim, 7 Drawing Sheets



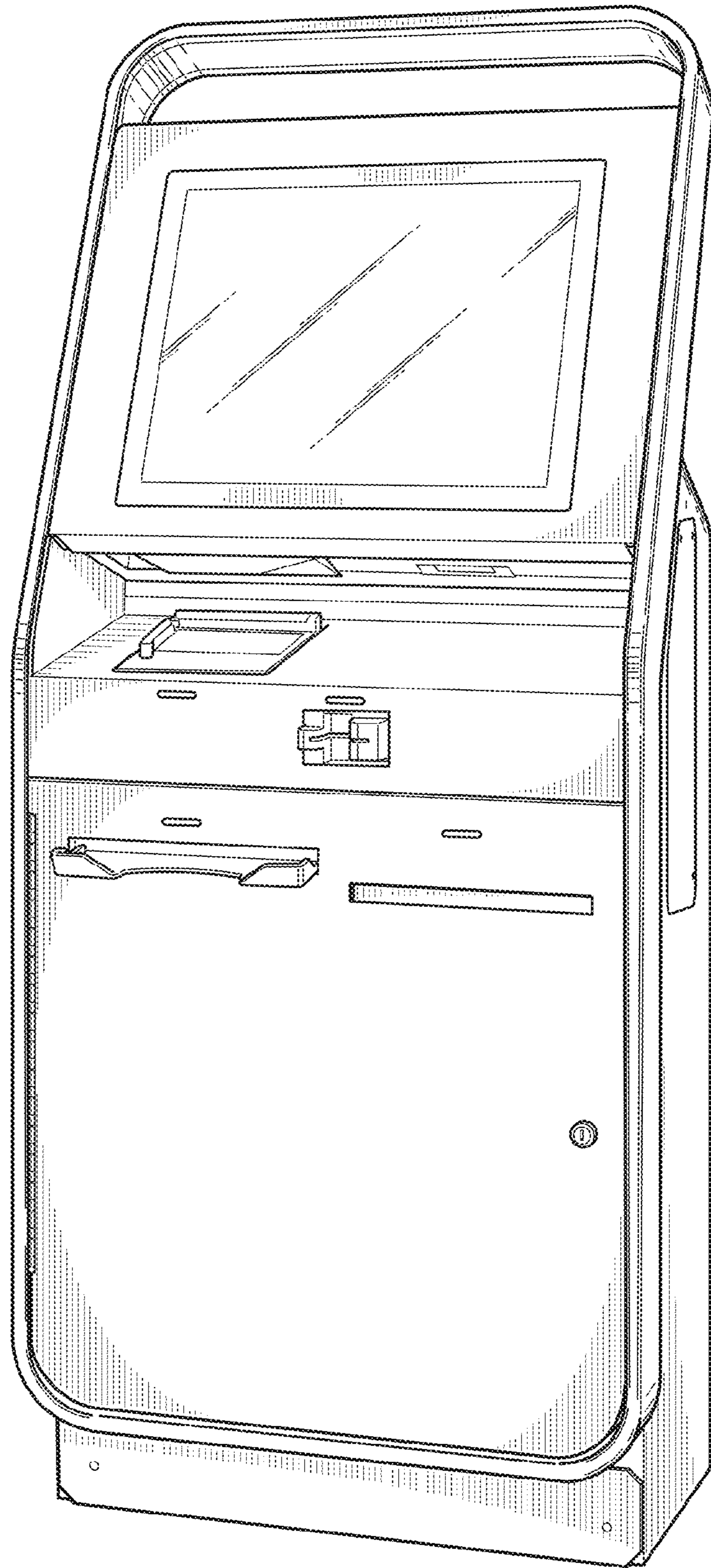


FIG. 1

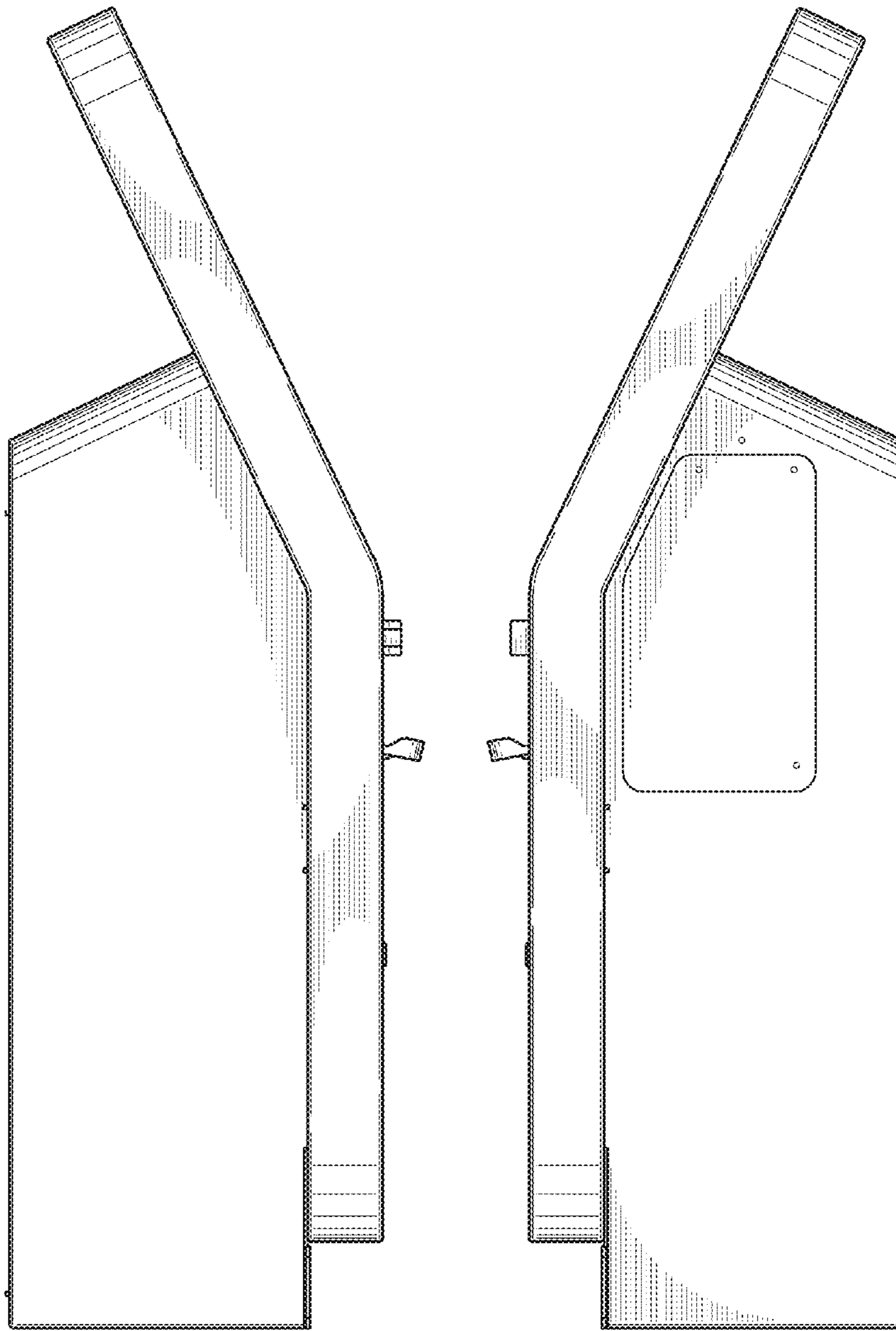


FIG. 2

FIG. 3

FIG. 4

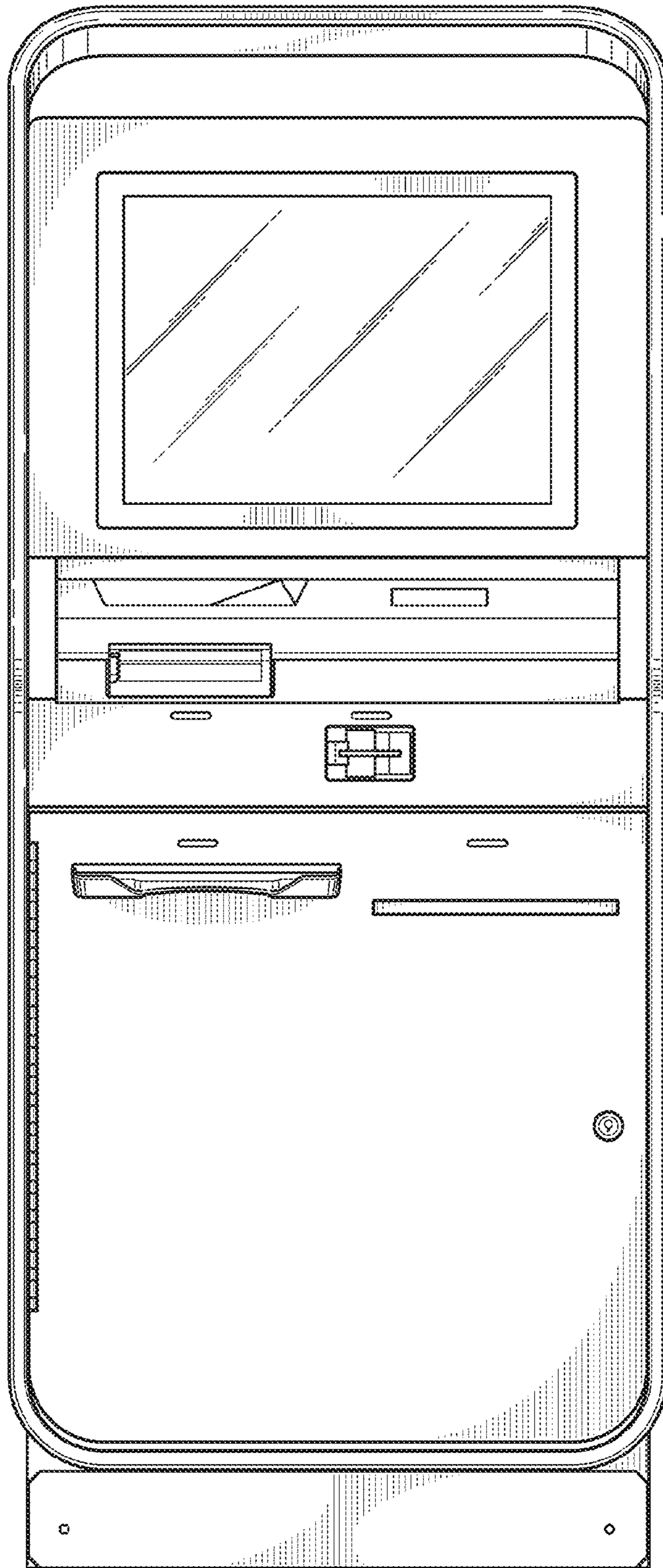
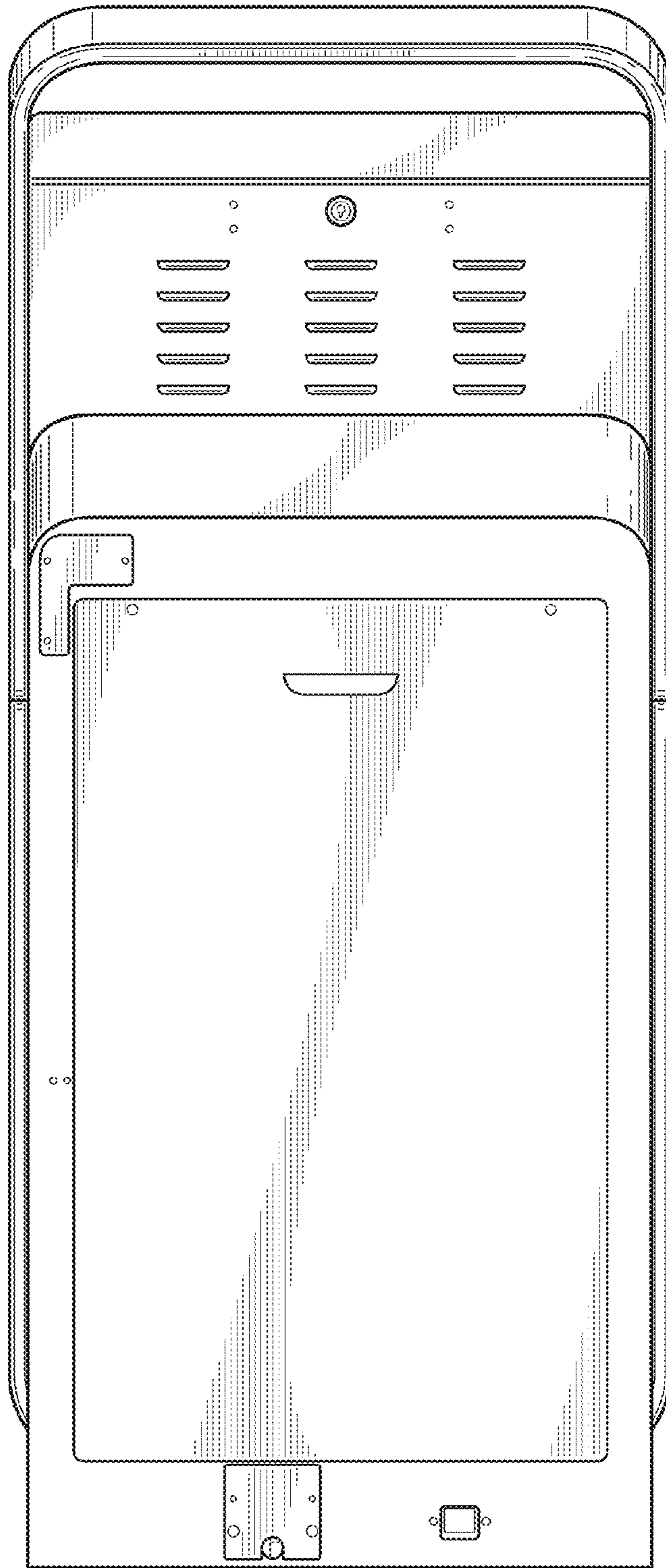


FIG. 5



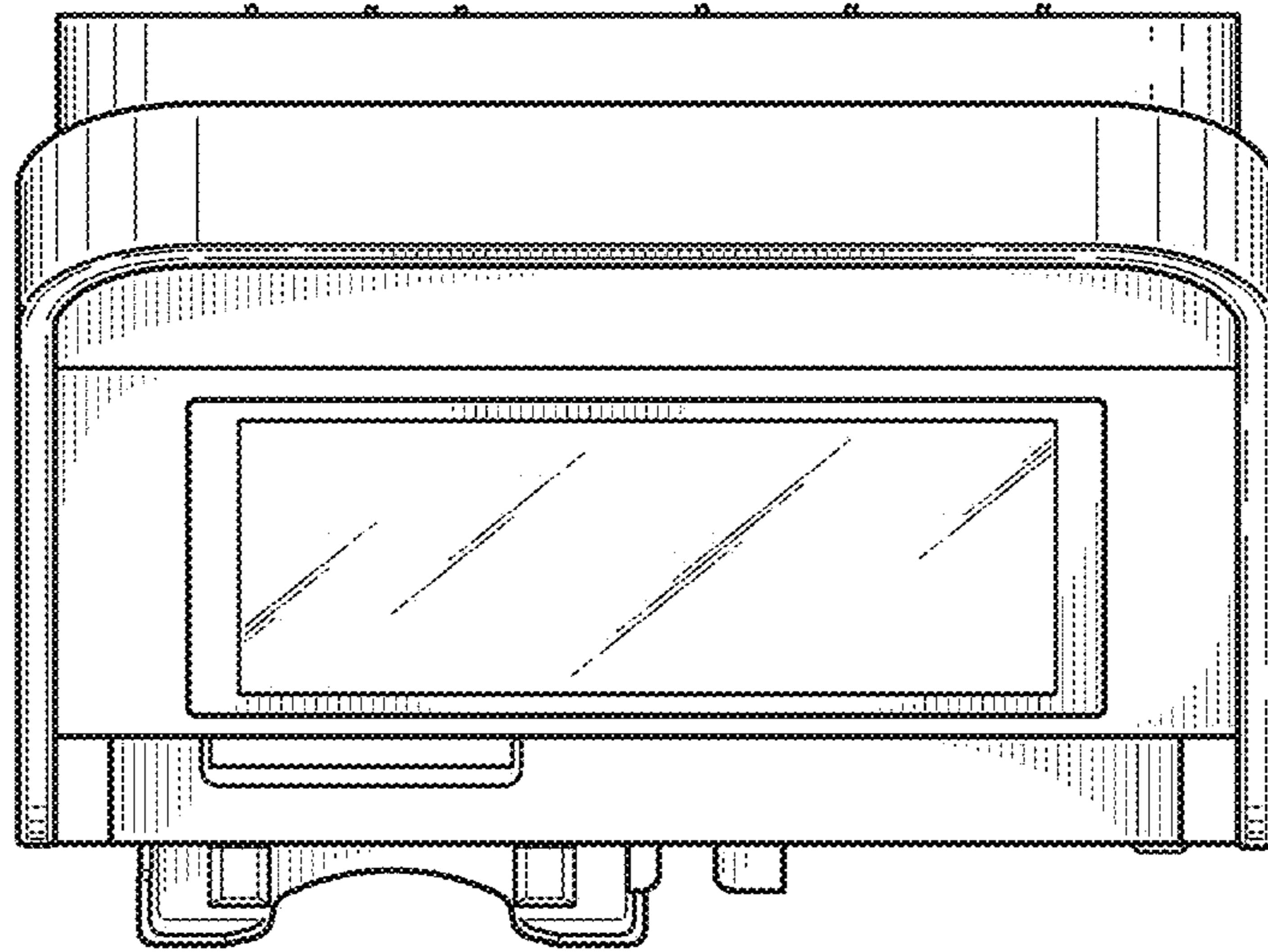


FIG. 6

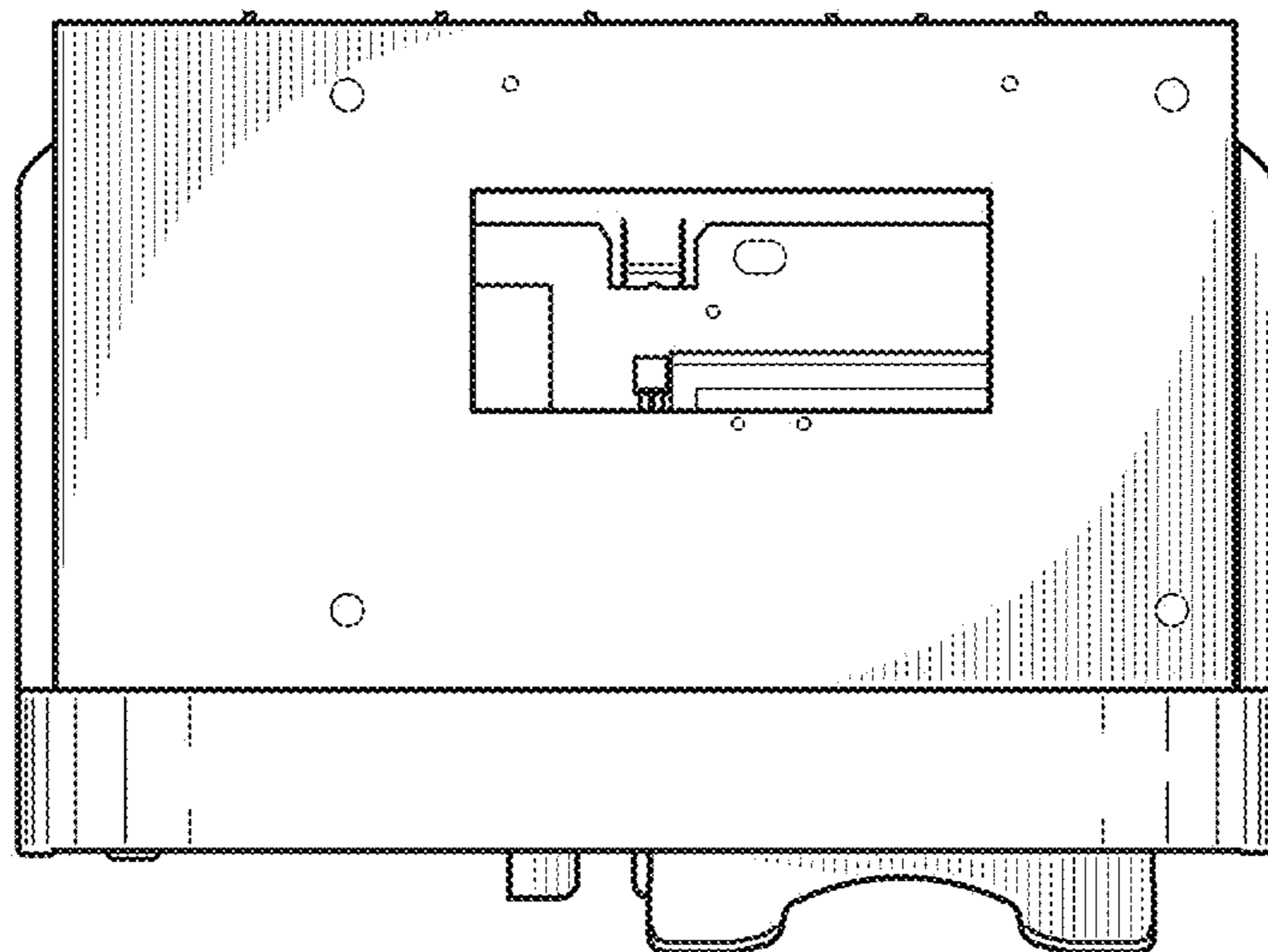


FIG. 7

FIG. 8

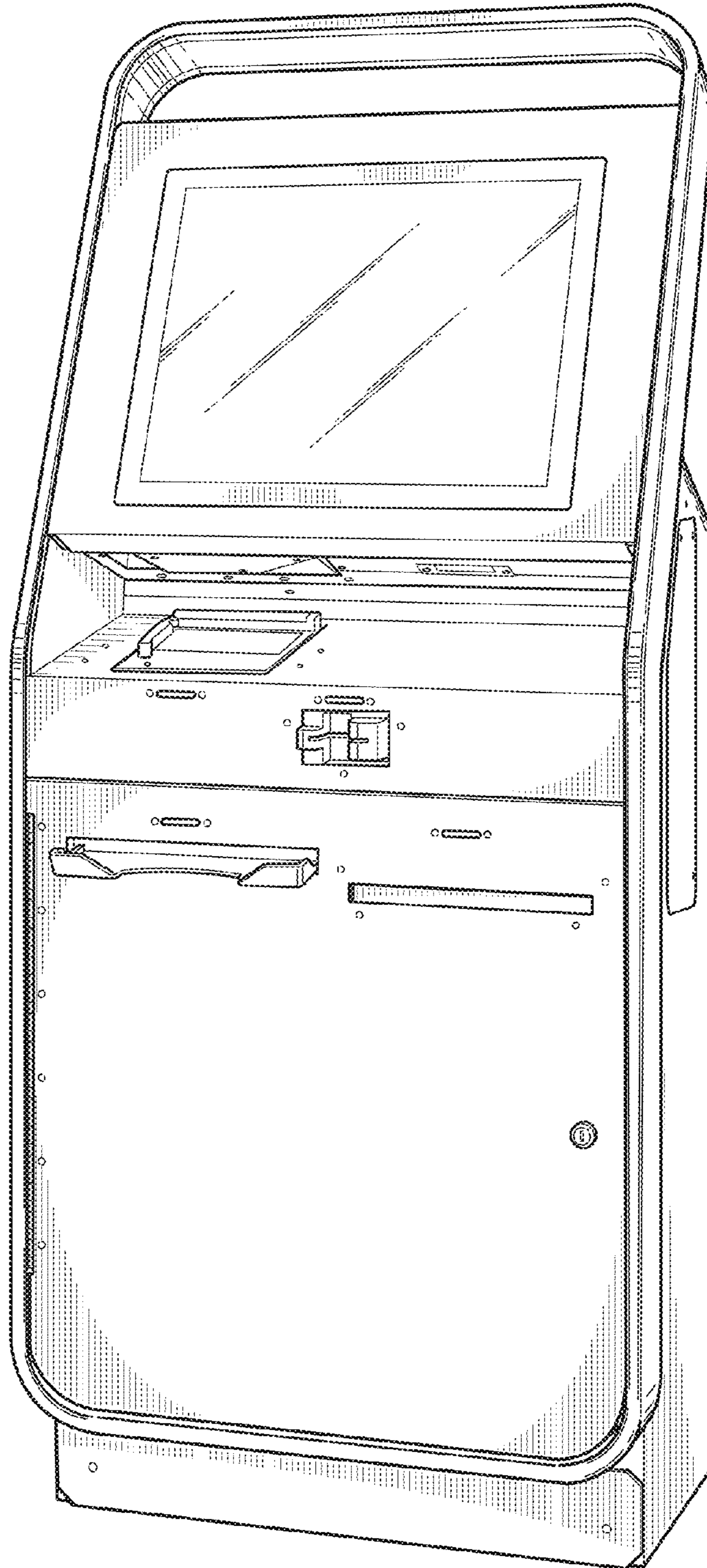


FIG. 9

