

US00D762634S

(12) **United States Design Patent**
Shin et al.

(10) **Patent No.:** **US D762,634 S**

(45) **Date of Patent:** **** Aug. 2, 2016**

(54) **CONTROL PANEL FOR STORAGE WAREHOUSE**

D520,504 S * 5/2006 Martin D14/305
2005/0200249 A1 * 9/2005 Voon G06F 1/182
312/223.3

- (71) Applicant: **Daifuku Co., Ltd.**, Osaka-shi (JP)
- (72) Inventors: **Takeshi Shin**, Gamo-gun (JP); **Tadashi Nishikawa**, Gamo-gun (JP)
- (73) Assignee: **Daifuku Co., Ltd.**, Osaka-shi (JP)
- (**) Term: **14 Years**

* cited by examiner

Primary Examiner — Freda S Nunn
(74) *Attorney, Agent, or Firm* — The Webb Law Firm

(21) Appl. No.: **29/488,671**

(22) Filed: **Apr. 22, 2014**

(30) **Foreign Application Priority Data**

Oct. 22, 2013 (JP) 2013-024603

(51) **LOC (10) Cl.** **14-02**

(52) **U.S. Cl.**
USPC **D14/302**

(58) **Field of Classification Search**

USPC D14/300–308, 441–446; D13/163, 184,
D13/199; D6/641, 642; D15/10, 199
CPC A47B 21/00; A47B 21/06; A47B 13/08;
A47B 35/00; A47B 21/0314; A47B 17/003;
A47B 83/001; G06F 1/182; G06F 1/1632;
G06F 3/037; G06F 1/16; G06F 1/1601;
F16M 11/10

See application file for complete search history.

(56) **References Cited**

U.S. PATENT DOCUMENTS

4,718,740 A * 1/1988 Cox G06F 1/16
312/223.2
D334,916 S * 4/1993 Basara D14/307
D347,837 S * 6/1994 Gerlach D14/299
6,856,505 B1 * 2/2005 Venegas G06F 1/1601
361/679.05

(57) **CLAIM**

The ornamental design for a control panel for storage warehouse, as shown and described.

DESCRIPTION

FIG. 1 is a front view of a control panel for storage warehouse showing our new design;

FIG. 2 is a rear view thereof;

FIG. 3 is a left side view thereof;

FIG. 4 is a right side view thereof;

FIG. 5 is a top view thereof;

FIG. 6 is a bottom view thereof;

FIG. 7 is an enlarged view of a portion thereof defined by area 7-7 shown in FIG. 1;

FIG. 8 is an enlarged view of a portion thereof defined by area 8-8 shown in FIG. 4;

FIG. 9 is an enlarged view of a portion thereof defined by area 9-9 shown in FIG. 5;

FIG. 10 is an enlarged cross-sectional view thereof taken along lines 10-10 shown in FIG. 7;

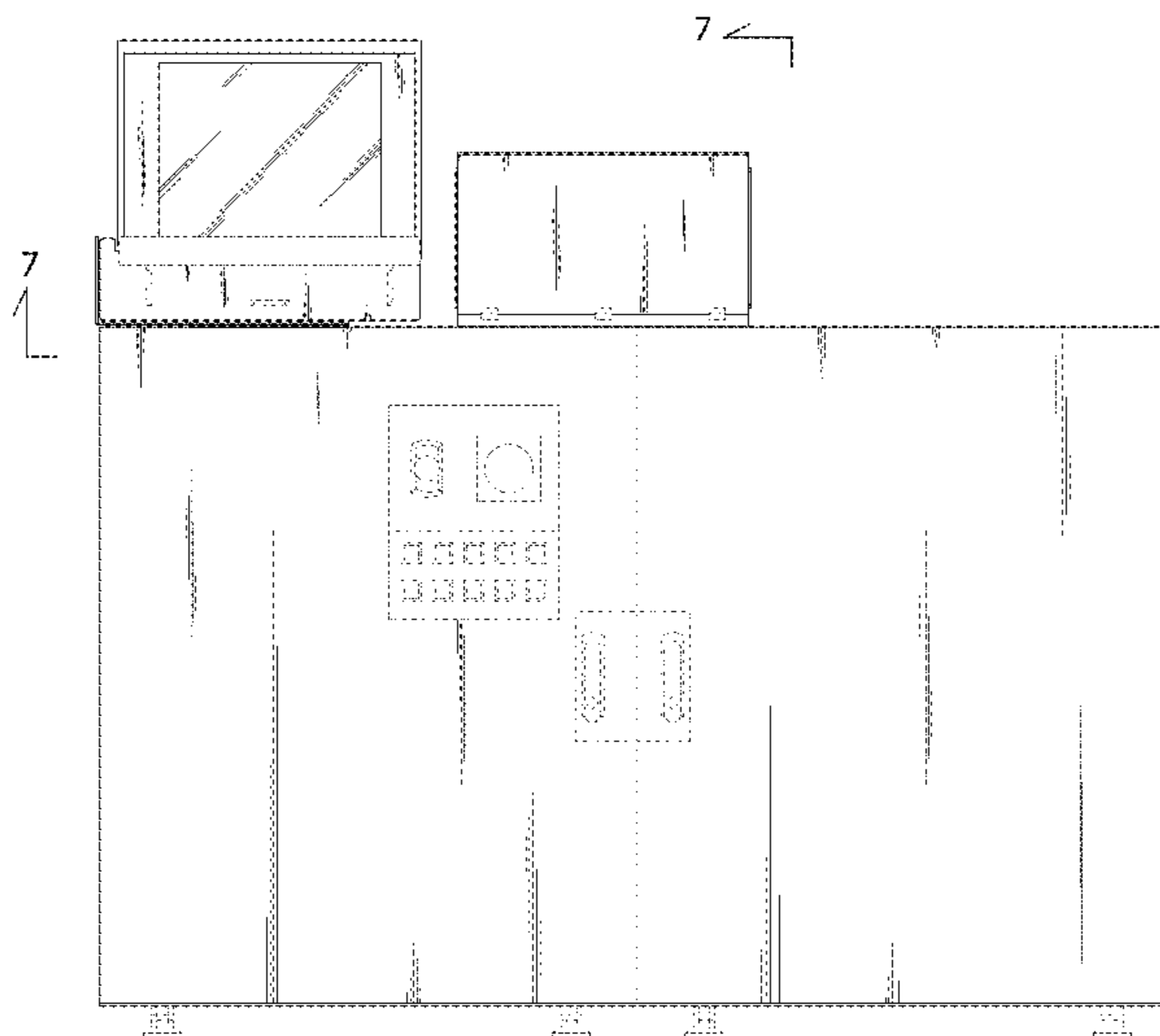
FIG. 11 is an enlarged view of a portion thereof defined by area 7-7 shown in FIG. 1 in a first configuration of use;

FIG. 12 is an enlarged cross-sectional view thereof taken along lines 10-10 shown in FIG. 7 in the first configuration of use; and,

FIG. 13 is an enlarged cross-sectional view thereof taken along lines 13-13 shown in FIG. 7 in a second configuration of use.

The broken line showings of FIG. 1-13 are environmental only and not part of the claimed design.

1 Claim, 10 Drawing Sheets



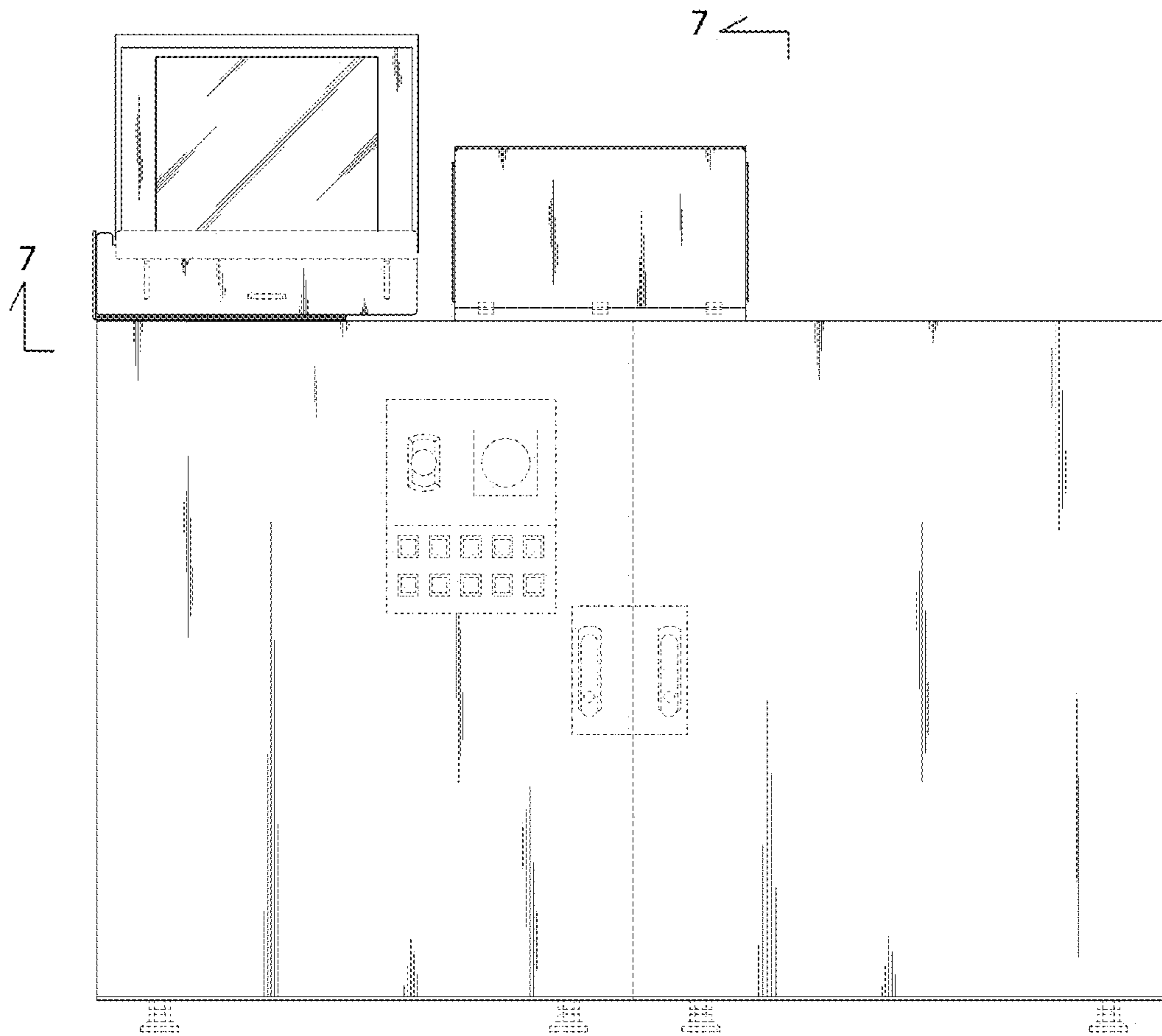


FIG. 1

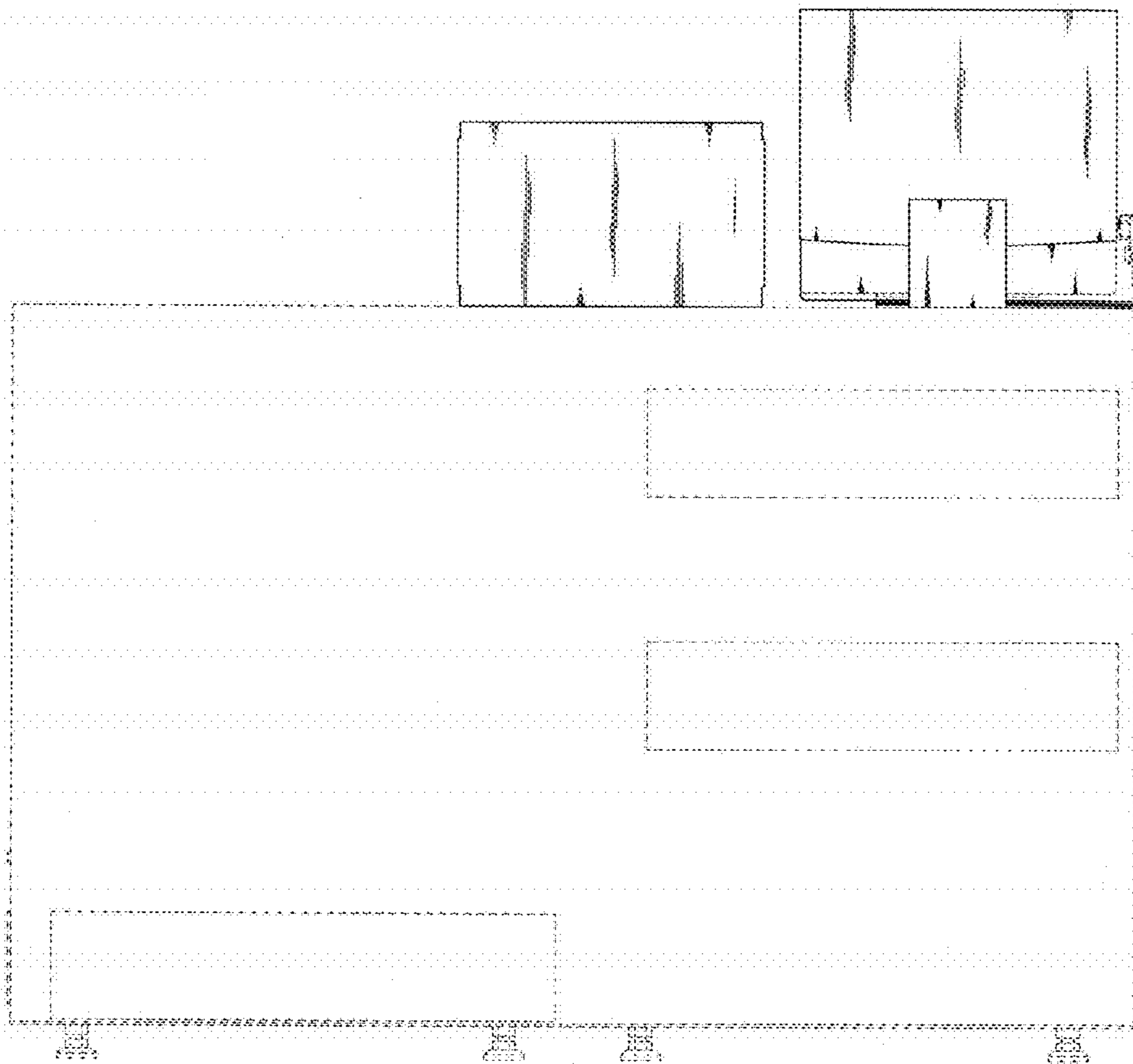


FIG. 2

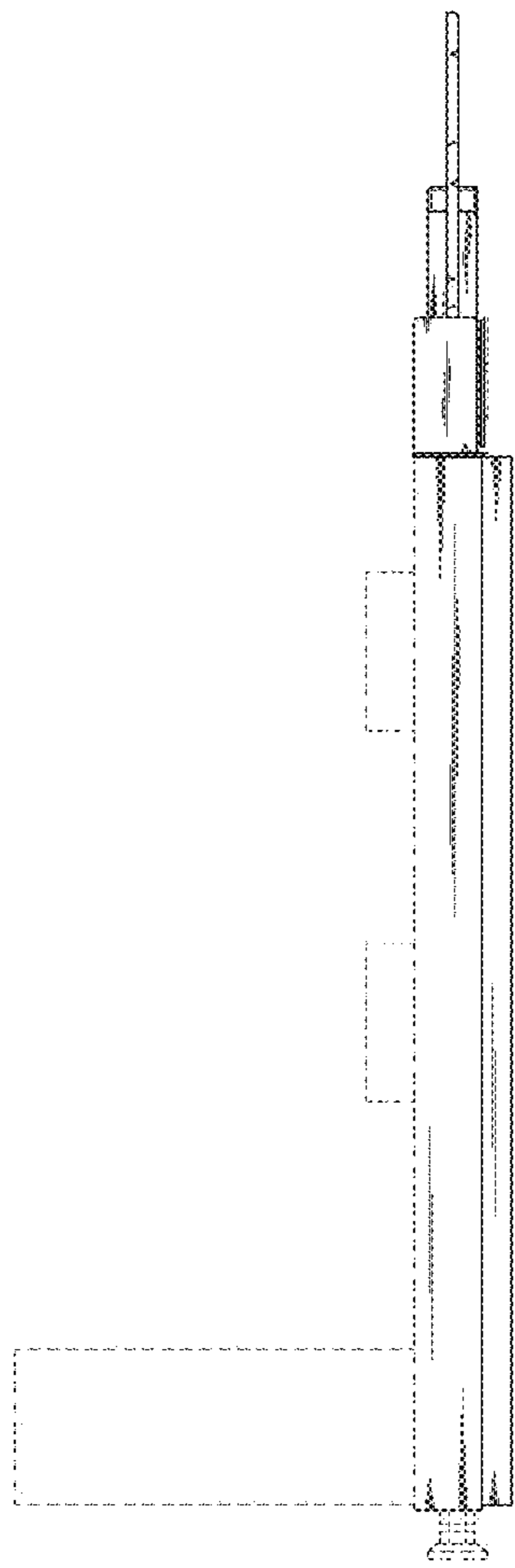


FIG. 3

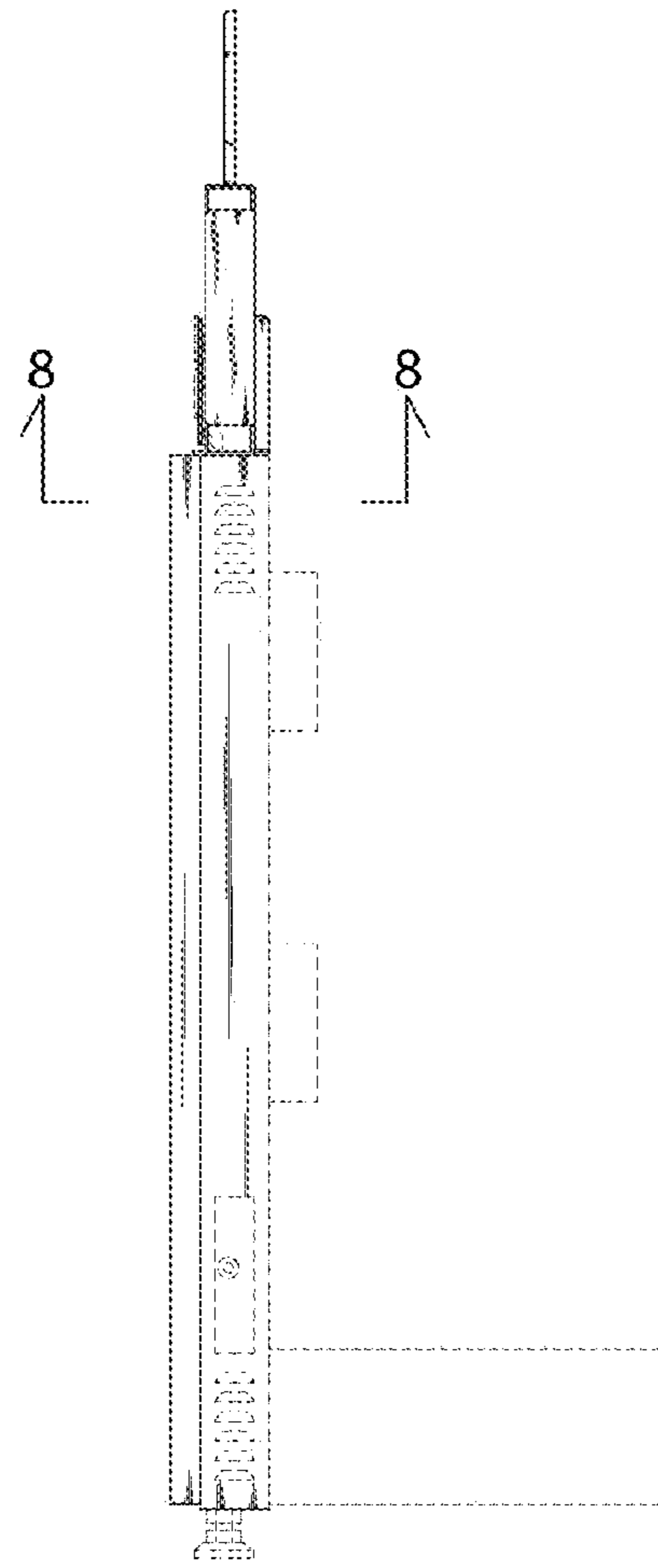


FIG. 4

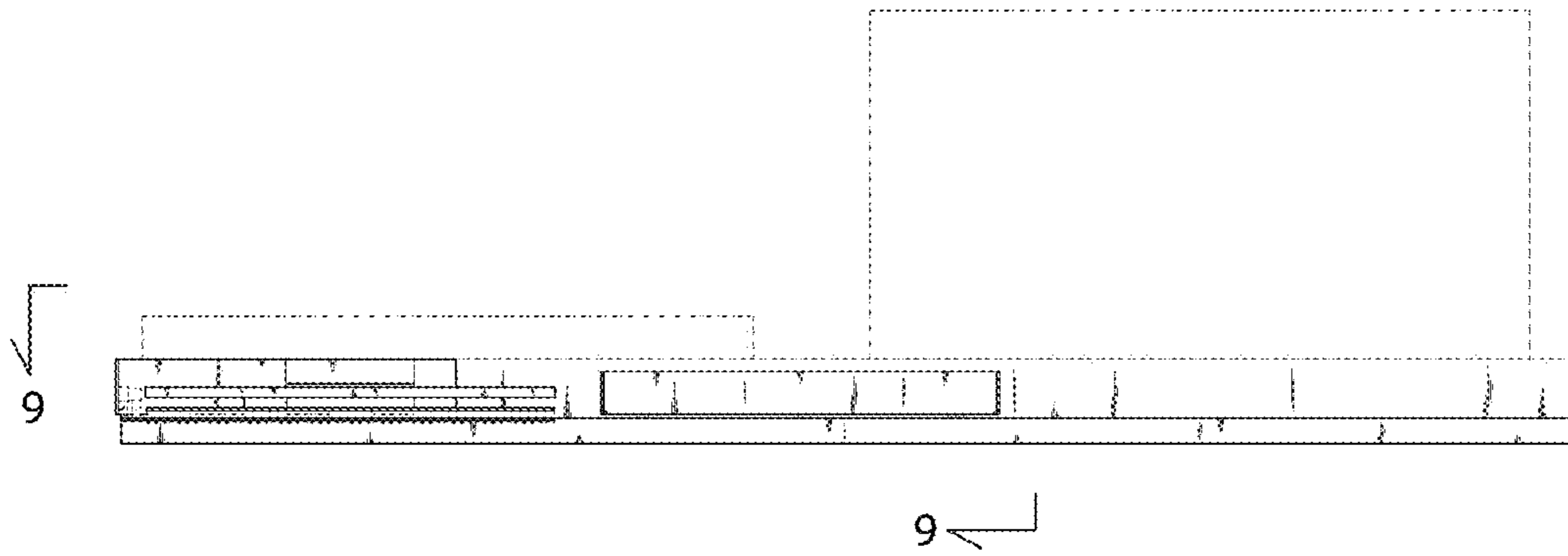


FIG. 5

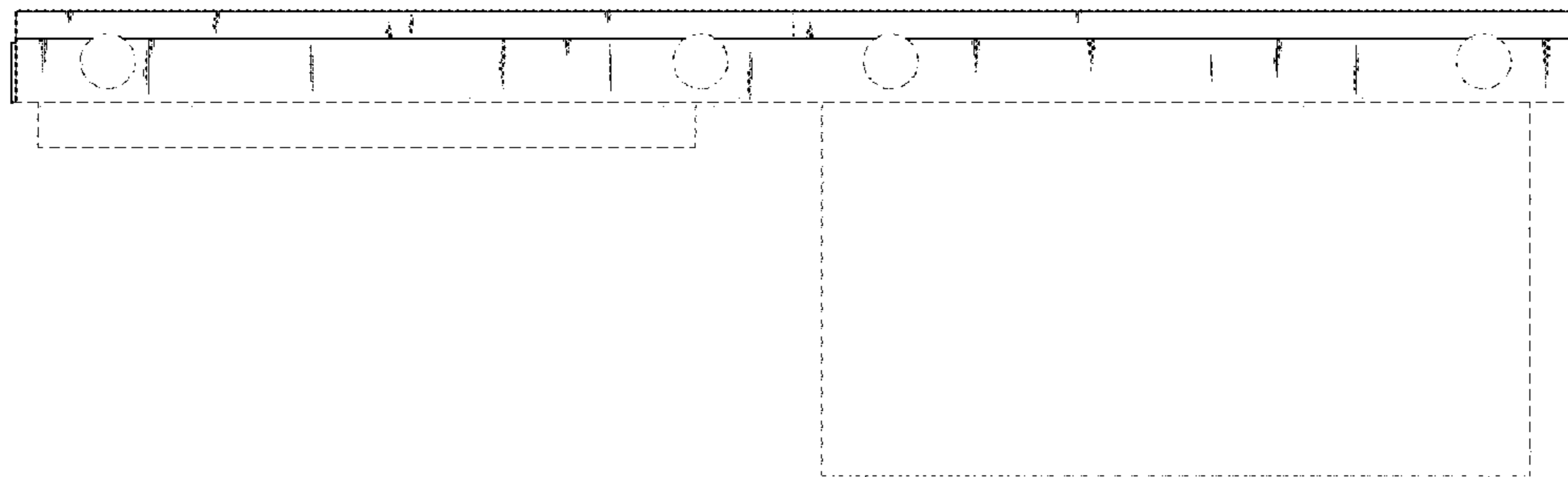


FIG. 6

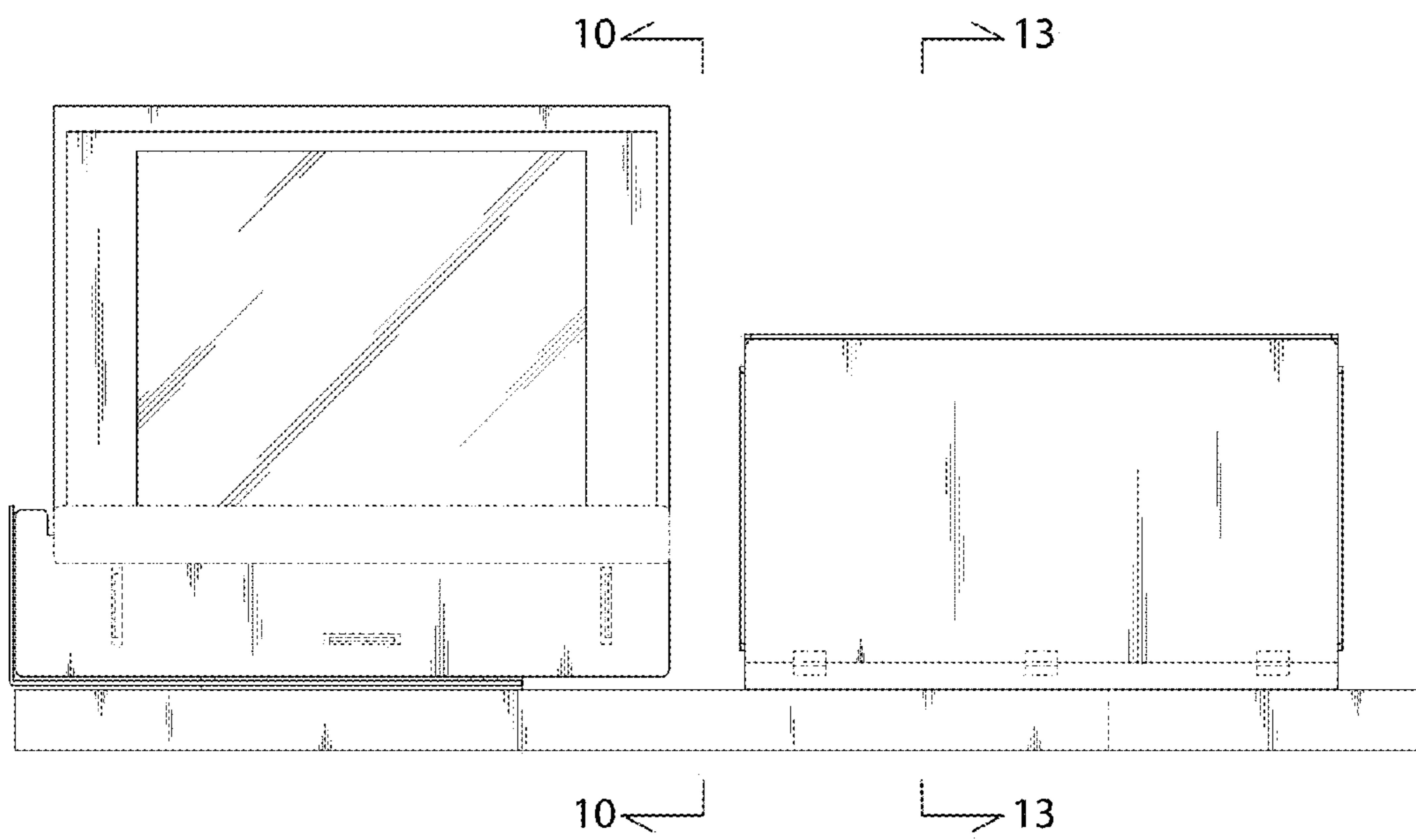


FIG. 7

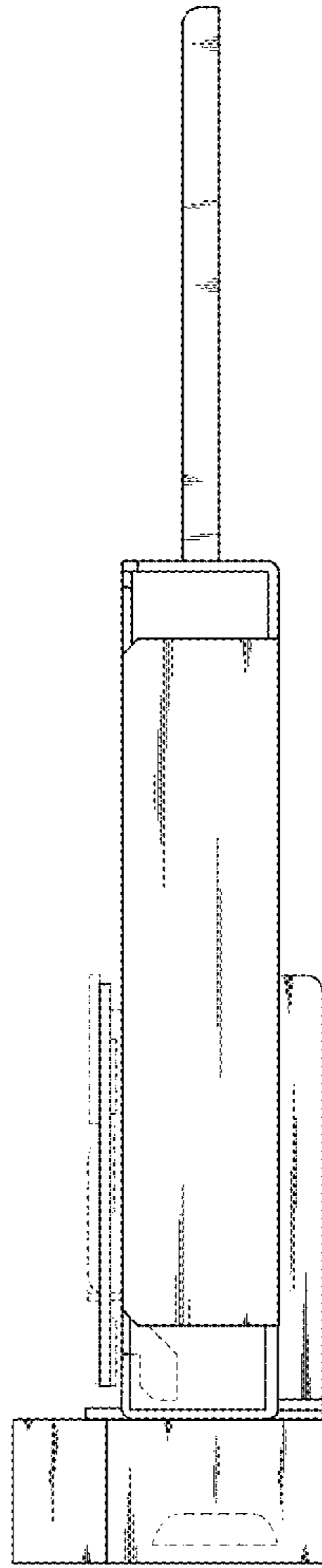


FIG. 8

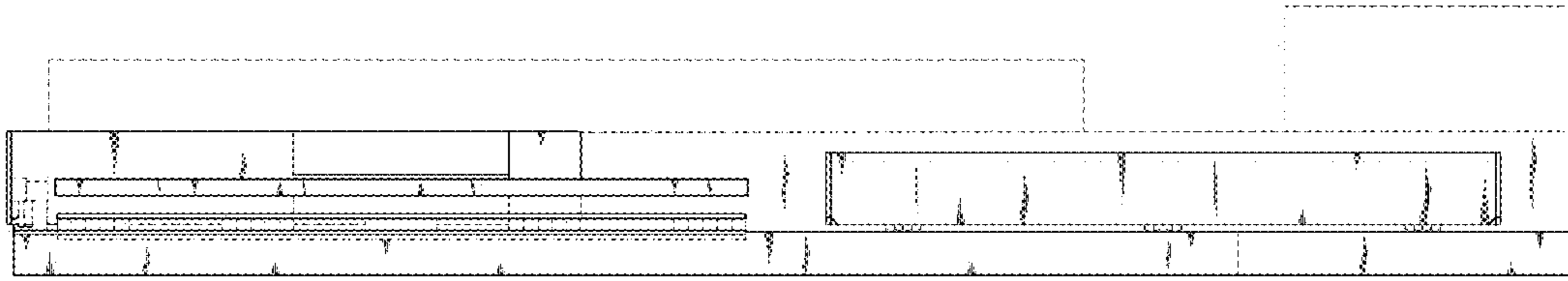


FIG. 9

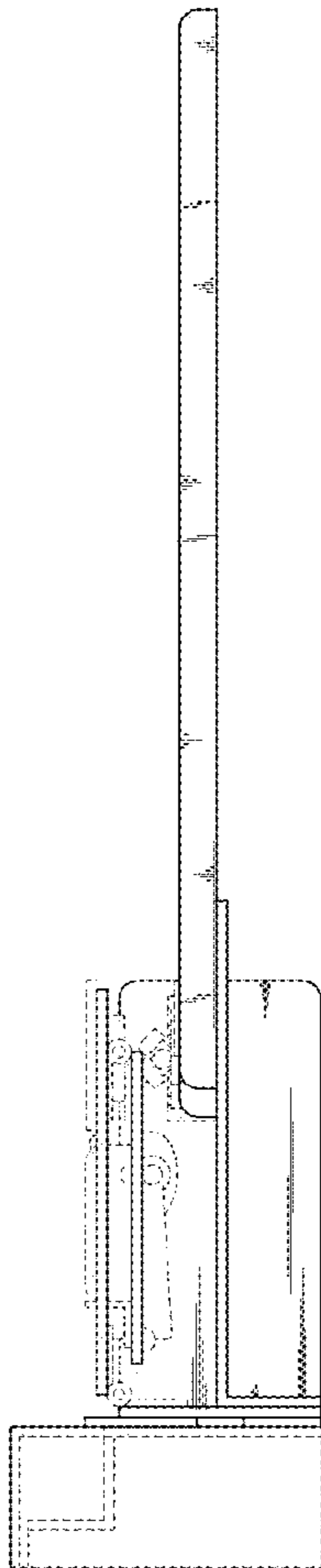


FIG. 10

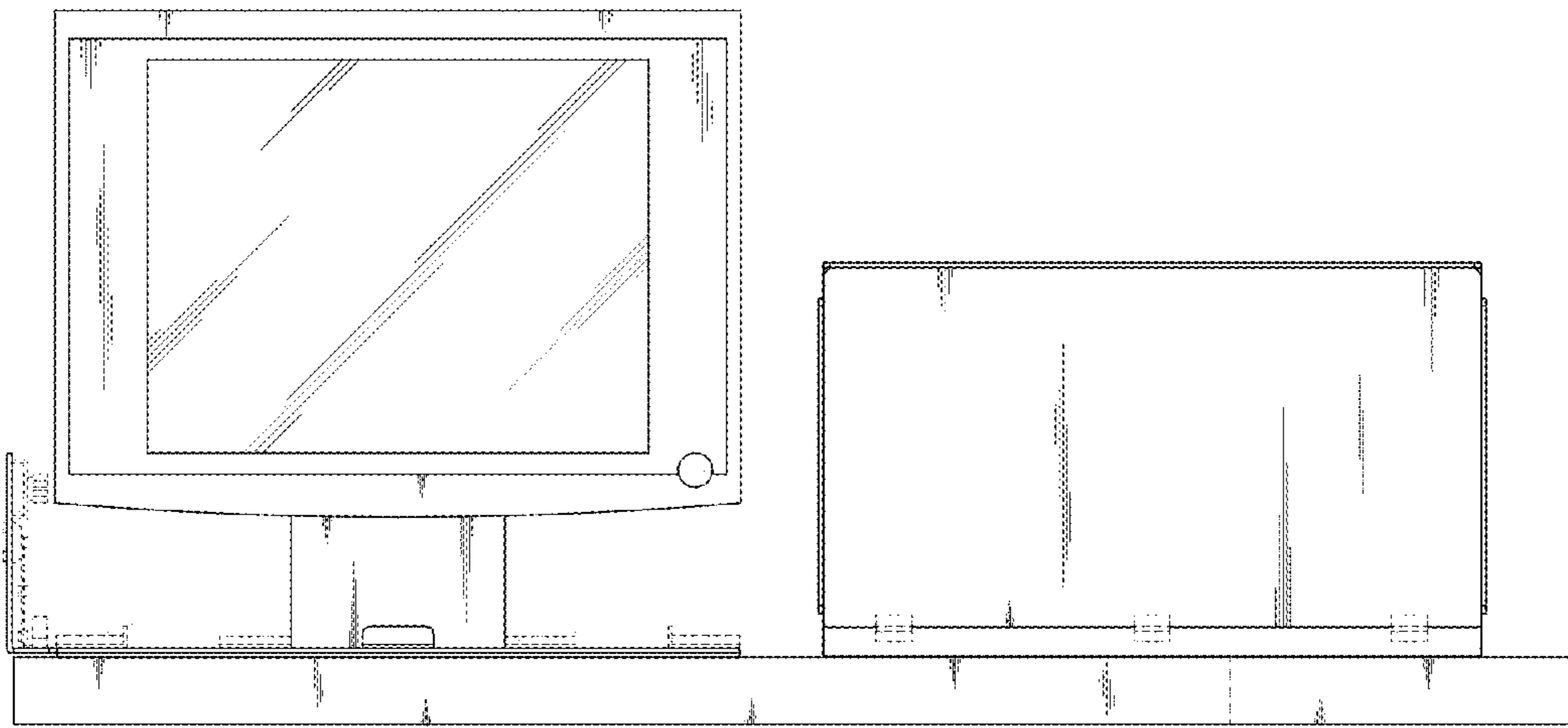


FIG. 11

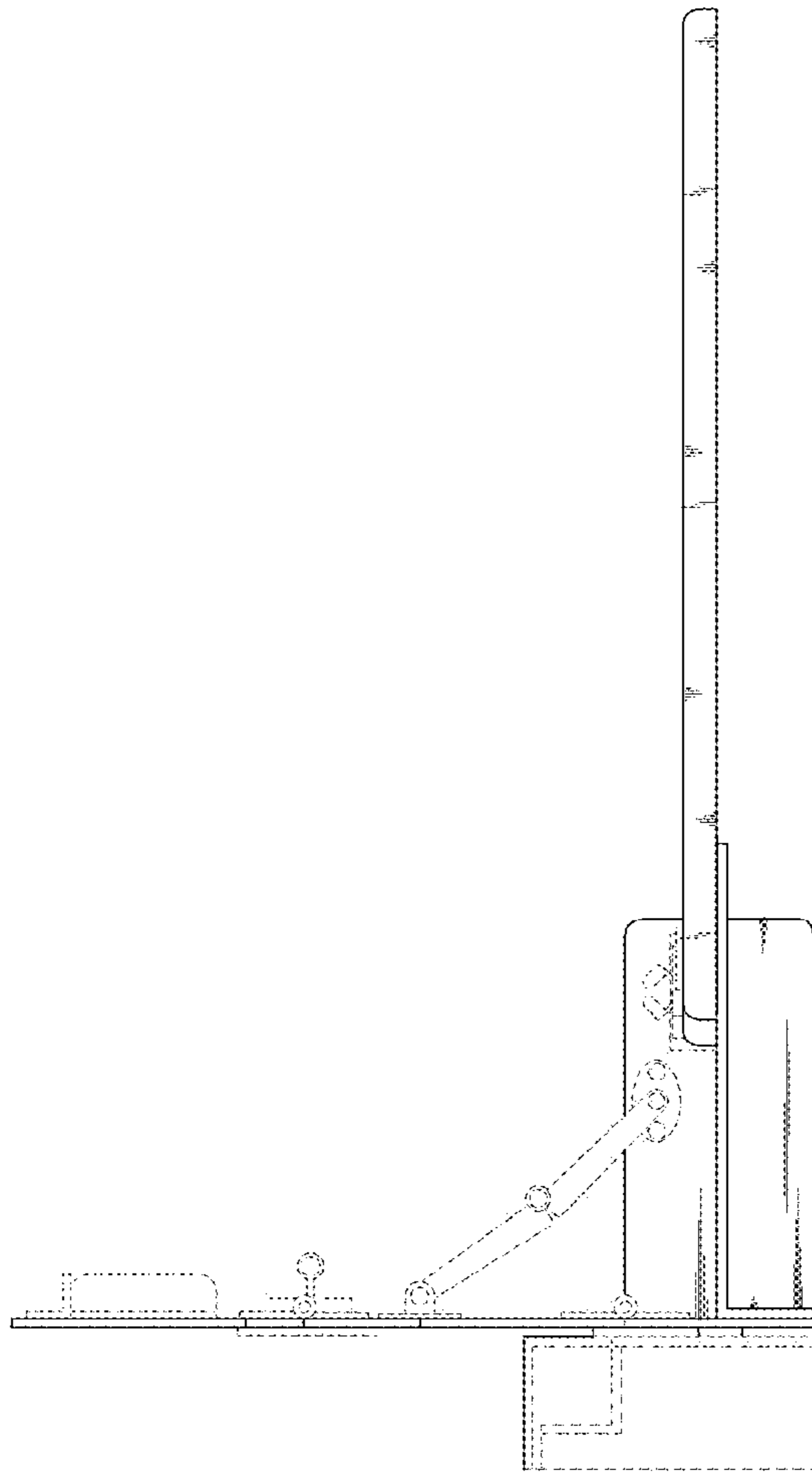


FIG. 12

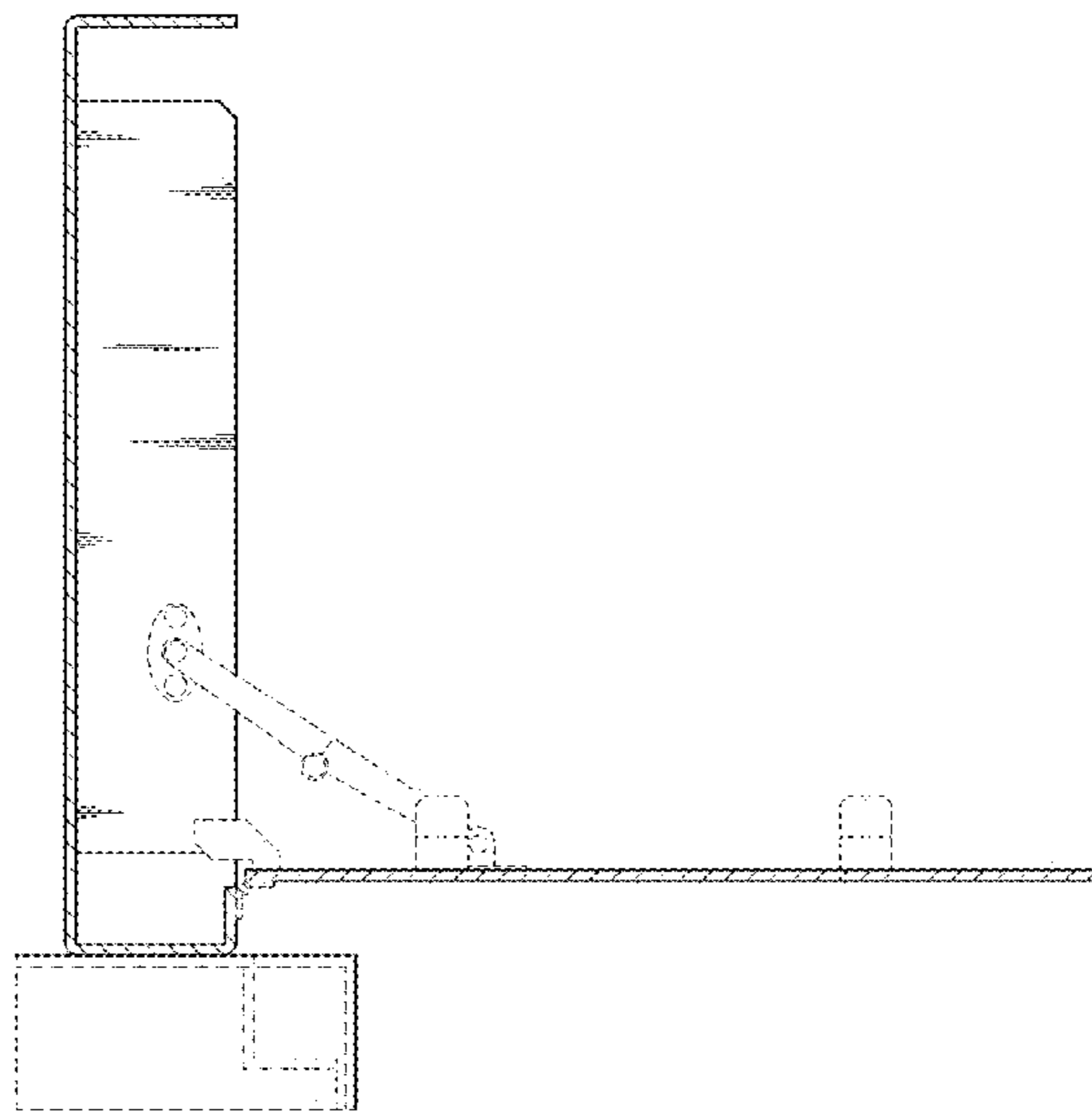


FIG. 13