



US00D762633S

(12) **United States Design Patent**
Fife

(10) **Patent No.:** **US D762,633 S**
(45) **Date of Patent:** **** Aug. 2, 2016**

(54) **PORTABLE ELECTRONICS CASE**

(56) **References Cited**

(71) Applicant: **Gunner Fab, LLC**, Kerrville, TX (US)

U.S. PATENT DOCUMENTS

(72) Inventor: **Rob Fife**, Mountain Home, TX (US)

D577,904	S	*	10/2008	Sasaki	D3/201
D600,013	S	*	9/2009	McCune	D3/273
D683,338	S	*	5/2013	Wilson	D14/250
D691,123	S	*	10/2013	Lay	D14/250
D691,124	S	*	10/2013	Yang	D14/250
D697,504	S	*	1/2014	Yang	D14/250
8,646,698	B2	*	2/2014	Chen	H04B 1/3888 235/435

(73) Assignee: **Gunner Fab, LLC**, Kerrville, TX (US)

(**) Term: **15 Years**

D709,485	S	*	7/2014	Bishop	D14/250
8,787,009	B2	*	7/2014	Wilson	H04M 1/185 312/296
D734,749	S	*	7/2015	Chen	D14/341
9,084,356	B2	*	7/2015	Fife	H04M 1/11
2012/0001525	A1	*	1/2012	Ogatsu	H04B 1/3888 312/223.1
2013/0273944	A1	*	10/2013	Wilson	H04M 1/026 455/457

(21) Appl. No.: **29/554,458**

(22) Filed: **Feb. 11, 2016**

Related U.S. Application Data

(60) Division of application No. 29/472,716, filed on Nov. 15, 2013, which is a continuation-in-part of application No. 14/077,592, filed on Nov. 12, 2013, now Pat. No. 9,084,356.

* cited by examiner

(51) **LOC (10) Cl.** **14-03**

Primary Examiner — Sandra Snapp

(52) **U.S. Cl.**

Assistant Examiner — Holly E Thurman

USPC **D14/250**

(74) *Attorney, Agent, or Firm* — Michael D. Paul; Gunn, Lee & Cave, P.C.

(58) **Field of Classification Search**

USPC D14/203.3–203.7, 217, 230, 238.1, 240, D14/247, 248, 250–253, 341, 345, 346, 439, D14/440, 447, 496; D3/201, 218, 247, 249, D3/269, 301, 273, 303; D13/103, D13/107–108, 119; D11/178.1; D19/10; 220/4.02; 248/309.1; 361/679.56; 379/426, 433.11, 455; 455/575.1, 455/575.4, 575.8; 190/100; 206/305, 320

(57) **CLAIM**

The ornamental design for a portable electronics case, as shown and described.

CPC H01B 1/3888; A45C 2011/002; A45C 11/00; A45C 13/002; A45C 2011/003; H04M 1/185; H04M 1/0283; H04M 1/0202

DESCRIPTION

See application file for complete search history.

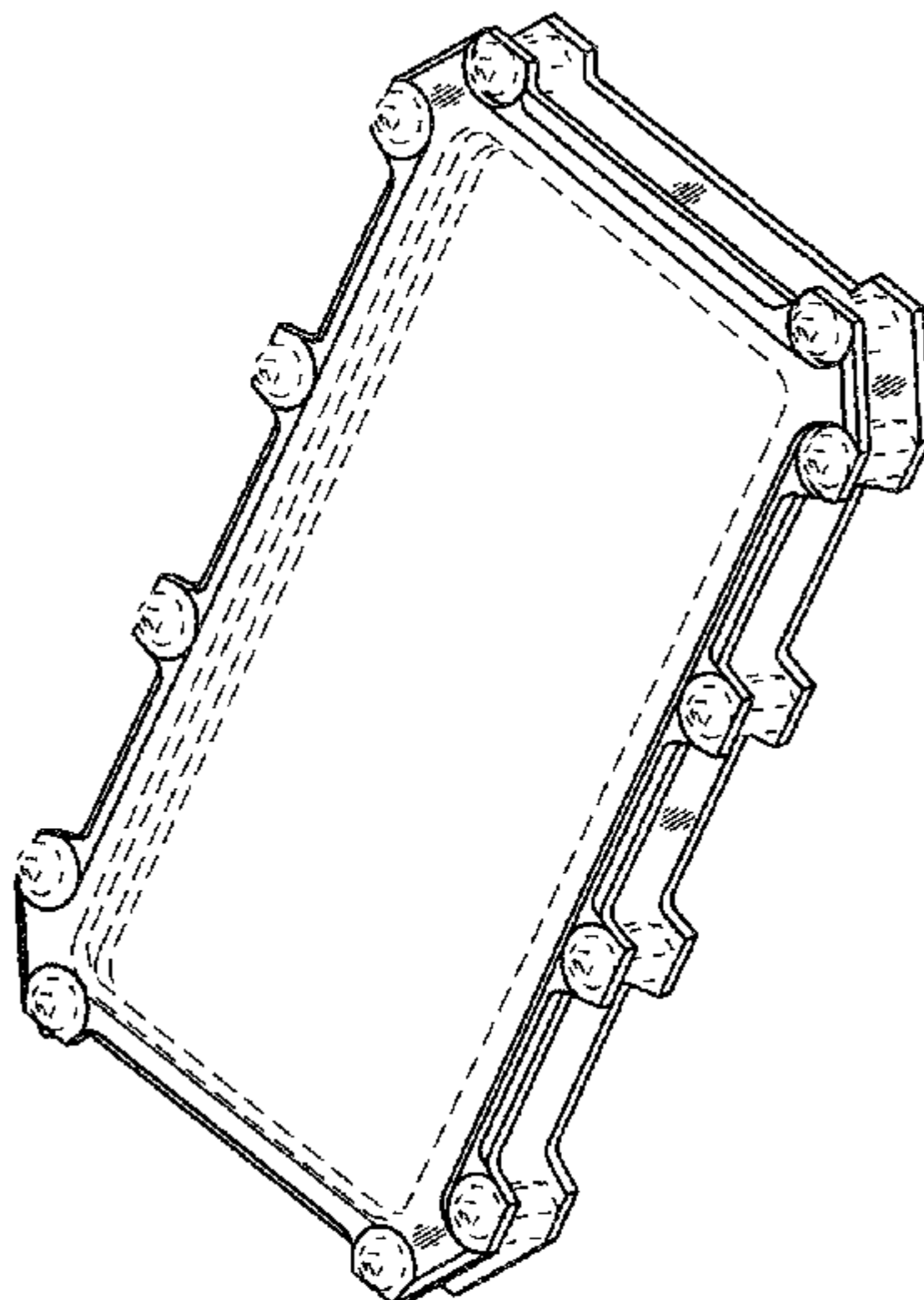
FIG. 1 is a front view of a portable electronics case showing my design. The rear view is a mirror image of the front view. FIG. 2 is a left side view thereof, the right side view being a mirror image.

FIG. 3 is a top view thereof, the bottom view being a mirror image; and,

FIG. 4 is a front isometric view thereof.

The broken lines represent boundaries of the claimed design that form no part of the claimed design.

1 Claim, 2 Drawing Sheets



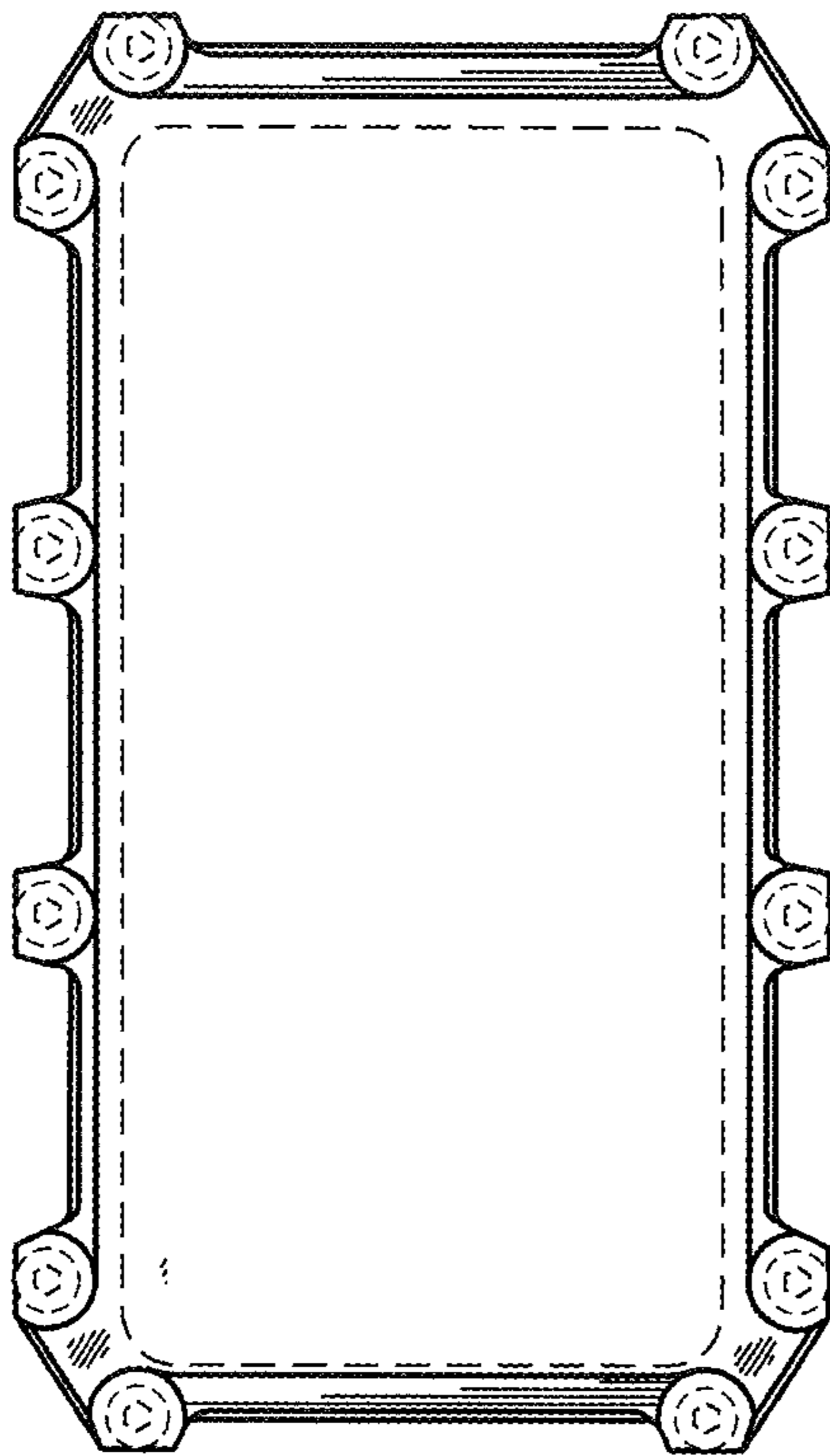


FIG. 1

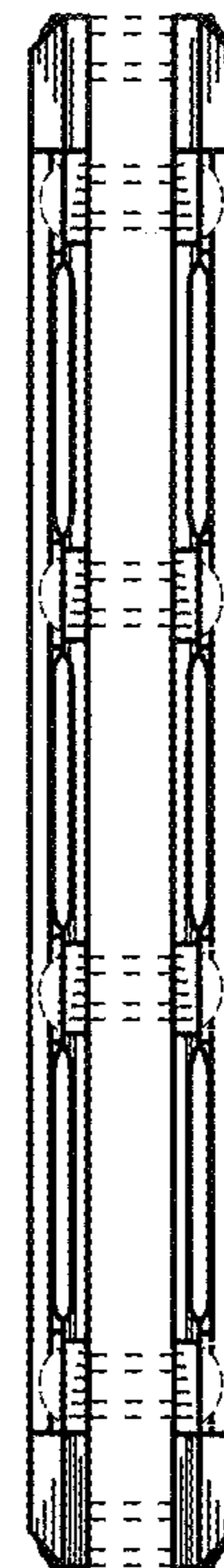


FIG. 2

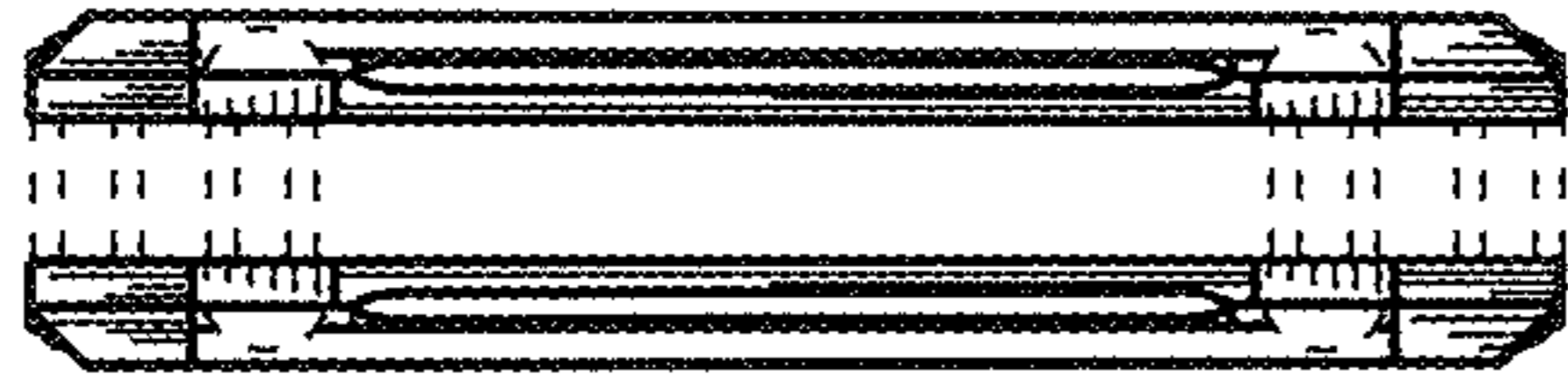


FIG. 3

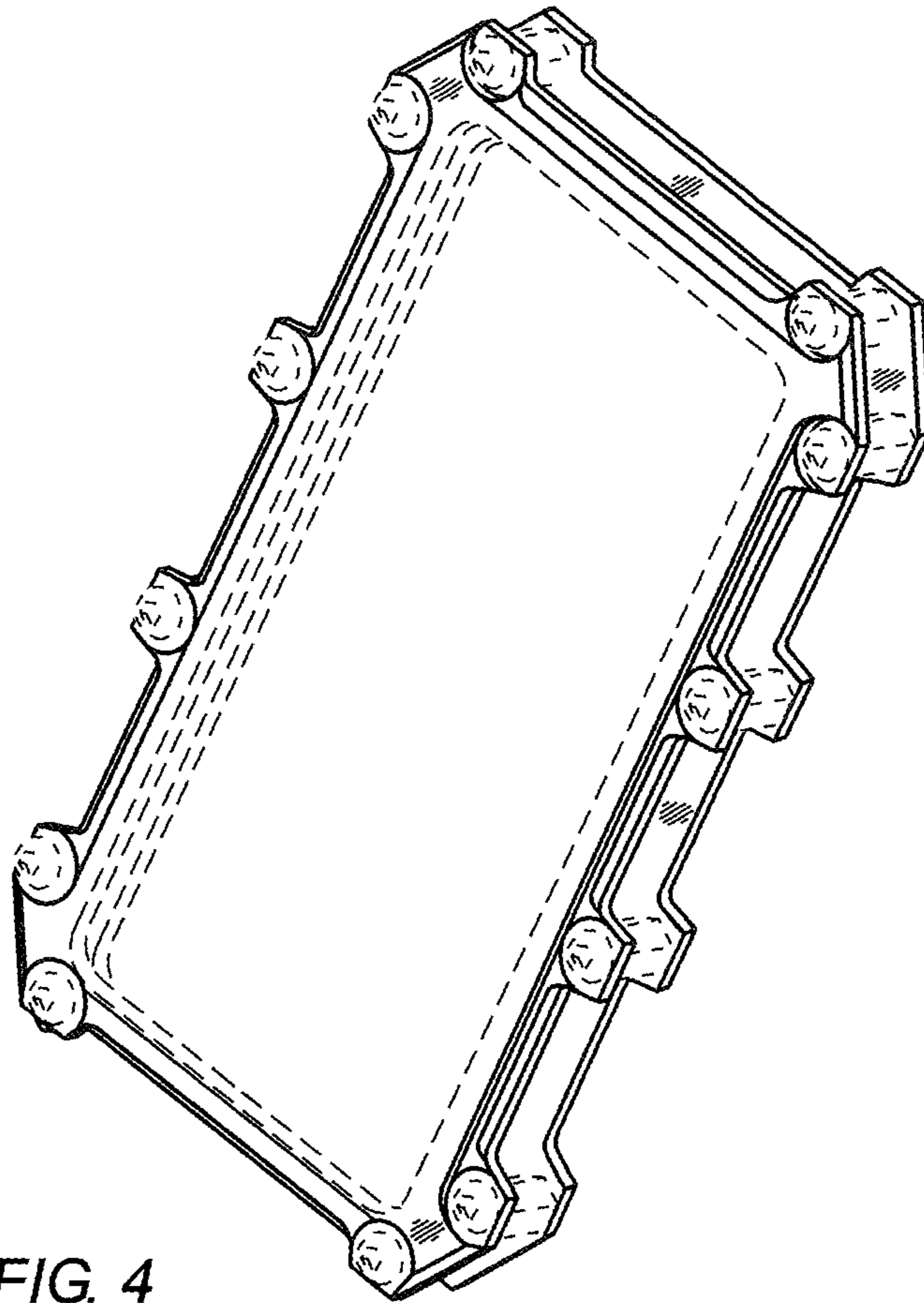


FIG. 4