

US00D762632S

(12) **United States Design Patent**  
**Karis et al.**

(10) **Patent No.:** **US D762,632 S**  
(45) **Date of Patent:** **\*\* \*Aug. 2, 2016**

- (54) **ELECTRONIC DEVICE CARRYING CASE**
- (71) Applicant: **Karis and Drake, LLC**, Los Angeles, CA (US)
- (72) Inventors: **Colleen Karis**, Los Angeles, CA (US); **Maggie Drake**, Los Angeles, CA (US)
- (73) Assignee: **Karis & Drake, LLC**, Los Angeles, CA (US)
- (\*) Notice: This patent is subject to a terminal disclaimer.
- (\*\*) Term: **15 Years**
- (21) Appl. No.: **29/532,613**
- (22) Filed: **Jul. 8, 2015**

D520,738 S *	5/2006	Tarantino	.....	D3/218
D521,726 S *	5/2006	Tarantino	.....	D3/215
D533,994 S *	12/2006	Hussaini	.....	D3/218
D562,807 S *	2/2008	Andre	.....	D14/223
D615,447 S *	5/2010	Raum	.....	D11/79
D629,329 S *	12/2010	Mudrick	.....	D11/87
D649,539 S *	11/2011	Hong	.....	D14/250
8,300,388 B2 *	10/2012	Li	.....	A45F 3/14 224/254
D678,871 S *	3/2013	Mishan	.....	D14/250
D679,694 S *	4/2013	Fahrendorff	.....	D14/250
D686,606 S *	7/2013	Hong	.....	D14/250
D686,607 S *	7/2013	Hong	.....	D14/250
2001/0035442 A1 *	11/2001	Yokobori	.....	A45C 13/26 224/197
2009/0023484 A1 *	1/2009	Macklin	.....	A45C 11/00 455/575.6
2012/0262618 A1 *	10/2012	Weakly	.....	A45C 11/00 348/333.01
2012/0273541 A1 *	11/2012	Zwach	.....	A45C 11/00 224/615

\* cited by examiner

**Related U.S. Application Data**

- (63) Continuation of application No. 29/459,564, filed on Jul. 1, 2013, now Pat. No. Des. 736,196.

- (51) **LOC (10) Cl.** ..... **14-03**
- (52) **U.S. Cl.**  
USPC ..... **D14/250**

- (58) **Field of Classification Search**  
USPC ..... D14/250–253, 440, 203.3–203.7, 217, D14/496, 248, 238.1, 240, 447; D3/201, D3/218, 269, 301, 273, 303; D13/103, D13/107–108; 220/4.02; 248/309.1; 361/679.56; 379/426, 433.11, 455; 455/575.1, 575.8; 190/100; 206/305, 206/320  
CPC ..... A45C 2011/002; A45C 11/00; A45C 13/002; A45C 2011/003; H04M 1/0283; H04M 1/0202  
See application file for complete search history.

(56) **References Cited**

**U.S. PATENT DOCUMENTS**

- D495,872 S \* 9/2004 Patton ..... D3/218
- D499,546 S \* 12/2004 Smithers ..... D3/218

*Primary Examiner* — Sandra Snapp

*Assistant Examiner* — Holly E Thurman

(74) *Attorney, Agent, or Firm* — K&L Gates LLP

(57) **CLAIM**

The ornamental design for an electronic device carrying case, as shown and described.

**DESCRIPTION**

FIG. 1 is a back view of an electronic device carrying case showing our new design, in which the case is shown on a smaller scale;

FIG. 2 is a perspective view thereof;

FIG. 3 is a back view thereof;

FIG. 4 is a front view thereof;

FIG. 5 is a first end view thereof;

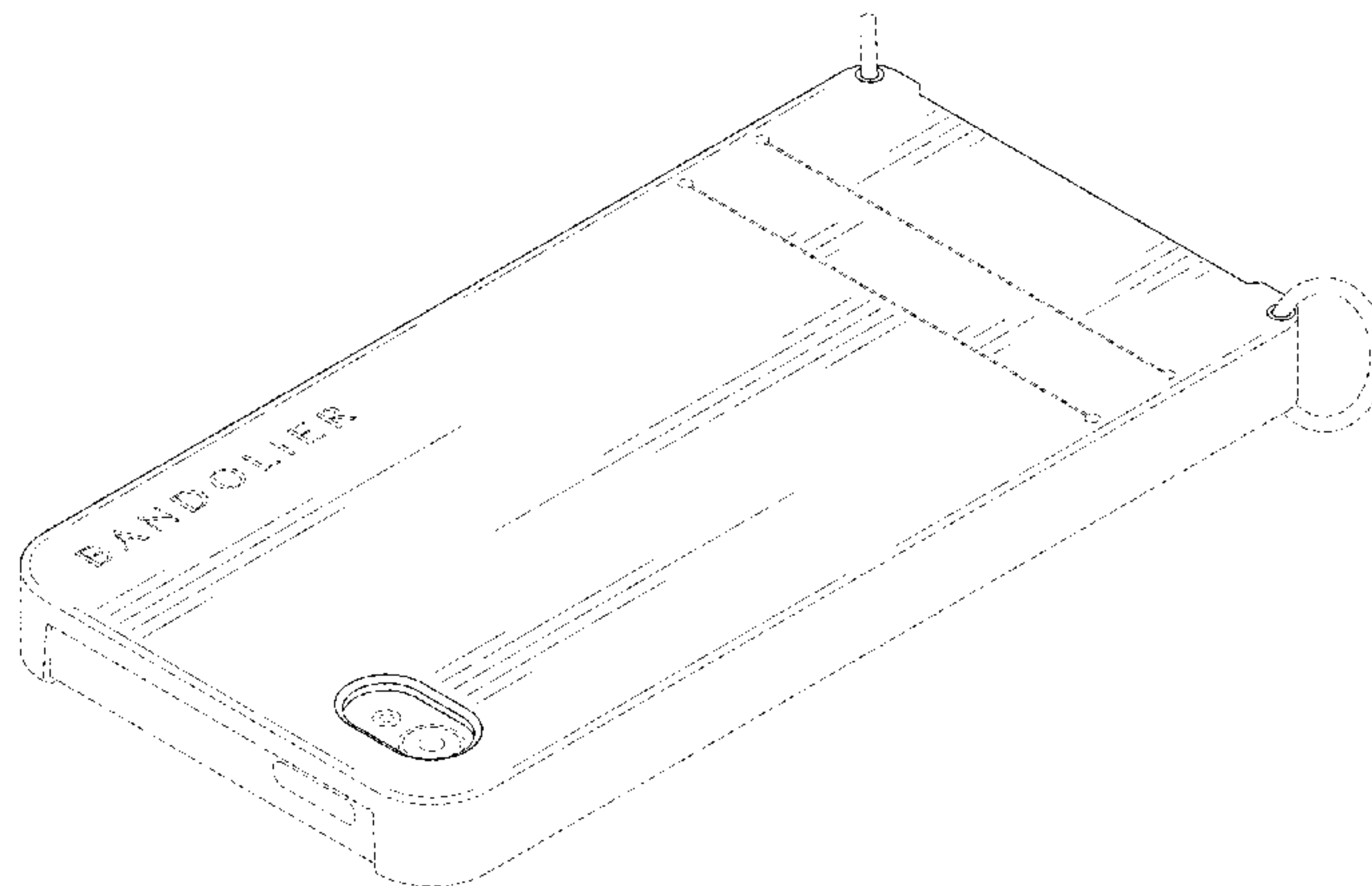
FIG. 6 is a second end view thereof;

FIG. 7 is a first side view thereof; and,

FIG. 8 is a second side view thereof.

The unshaded surfaces that are visible through the openings and the broken lines on the unshaded surfaces depict an unclaimed electronic device. All other broken lines depict unclaimed portions of the electronic device carrying case and unclaimed environment and form no part of the claimed design.

**1 Claim, 5 Drawing Sheets**



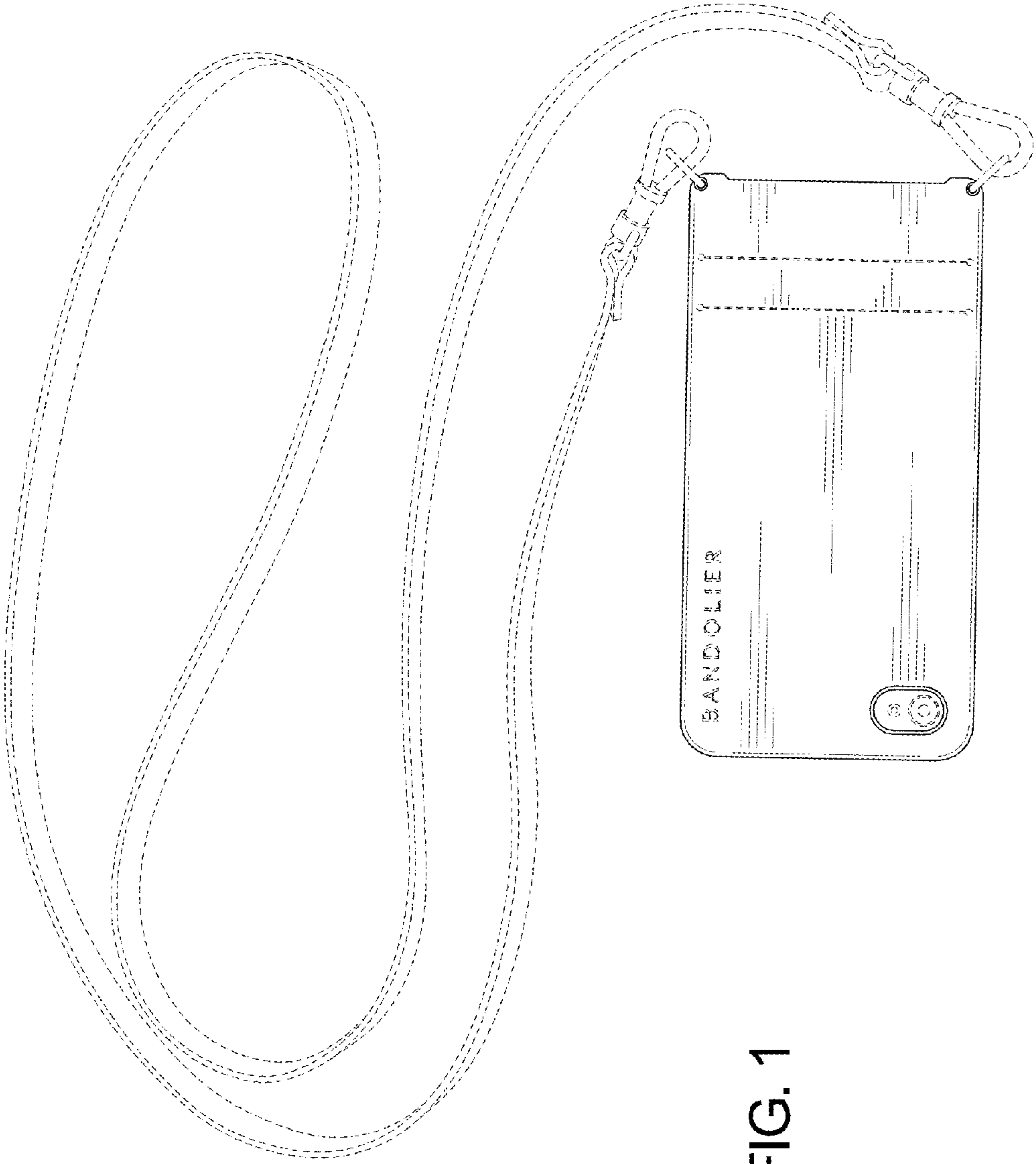


FIG. 1

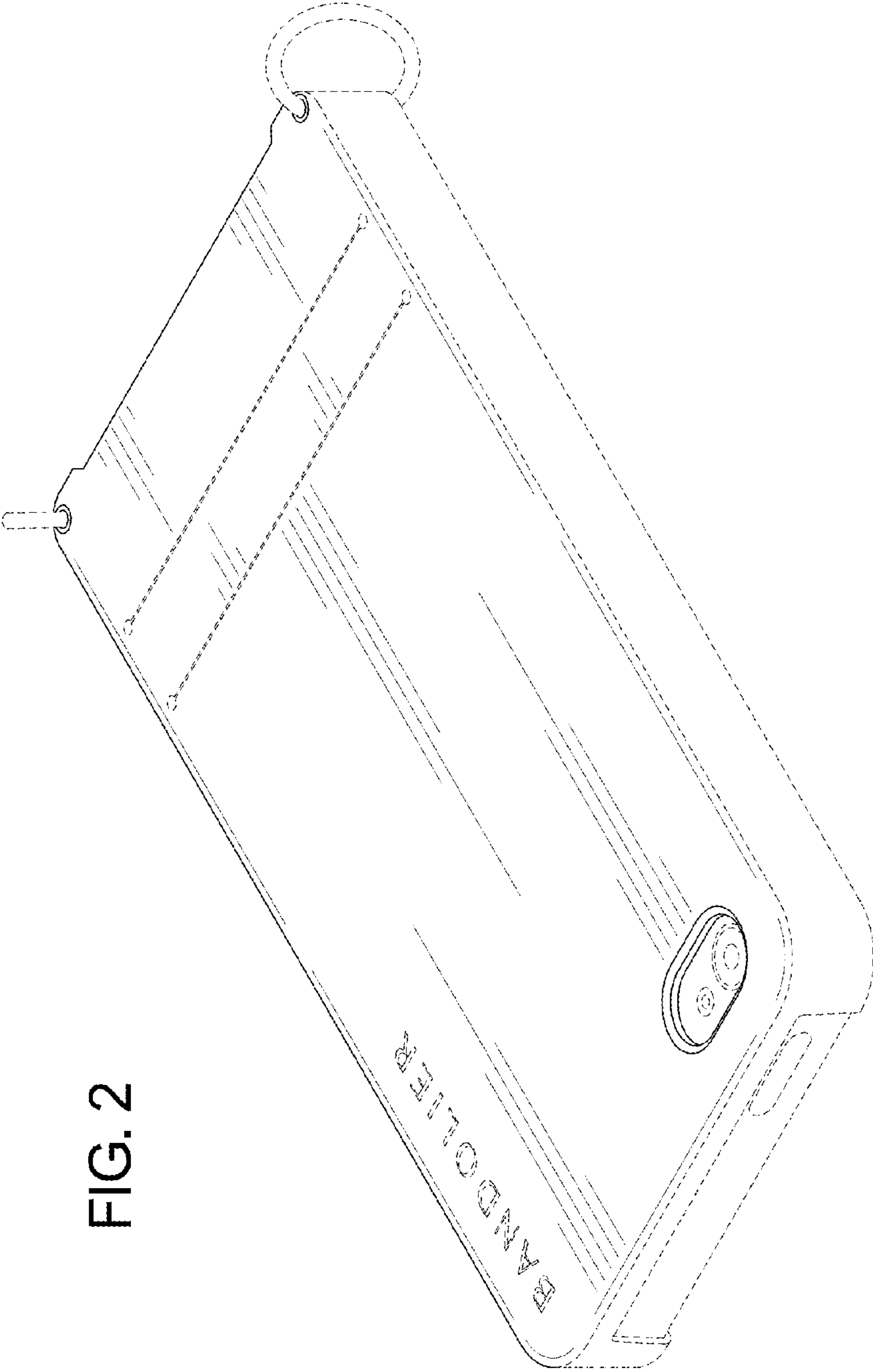


FIG. 2

BANDOLIER

FIG. 3

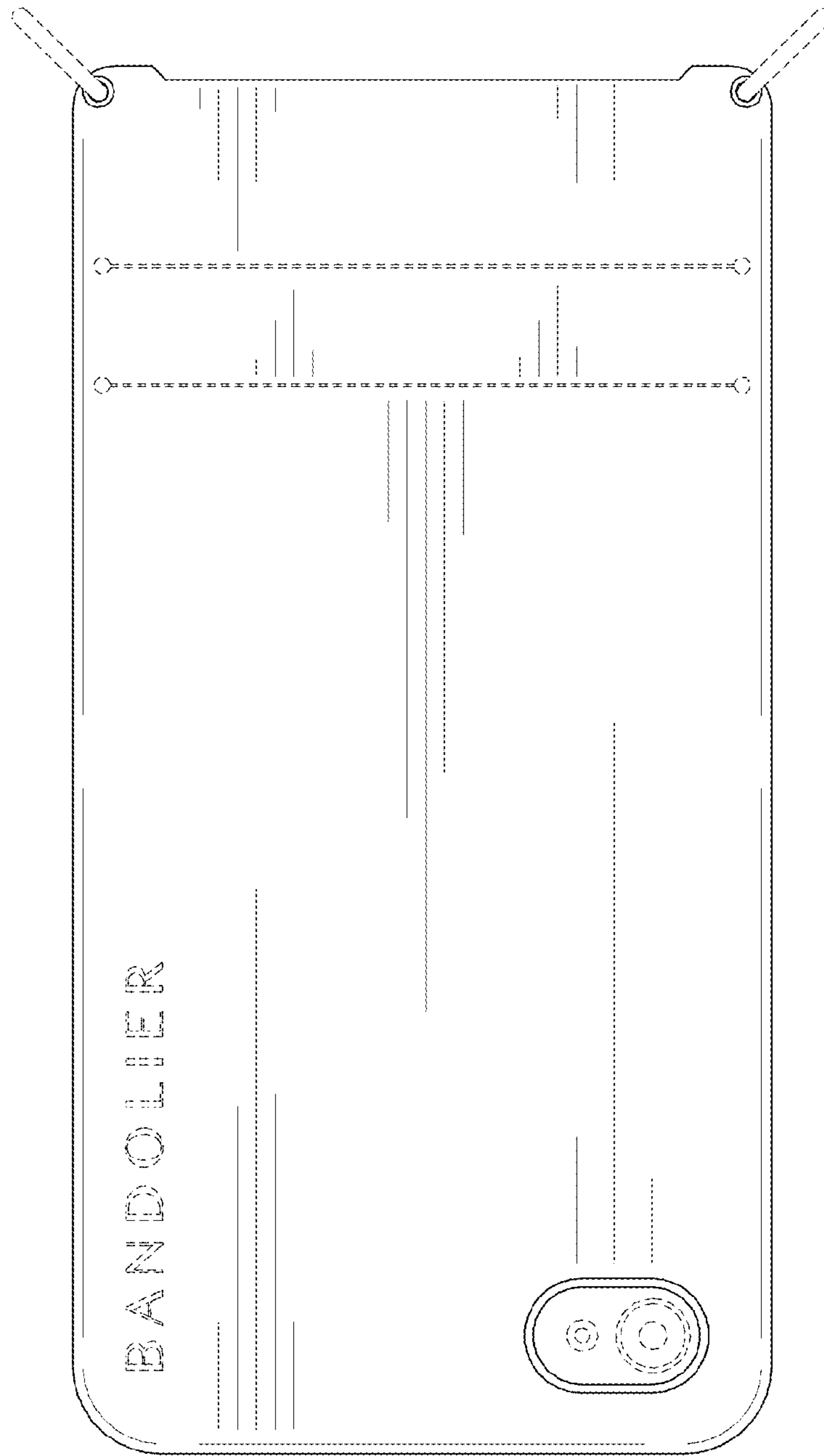


FIG. 4

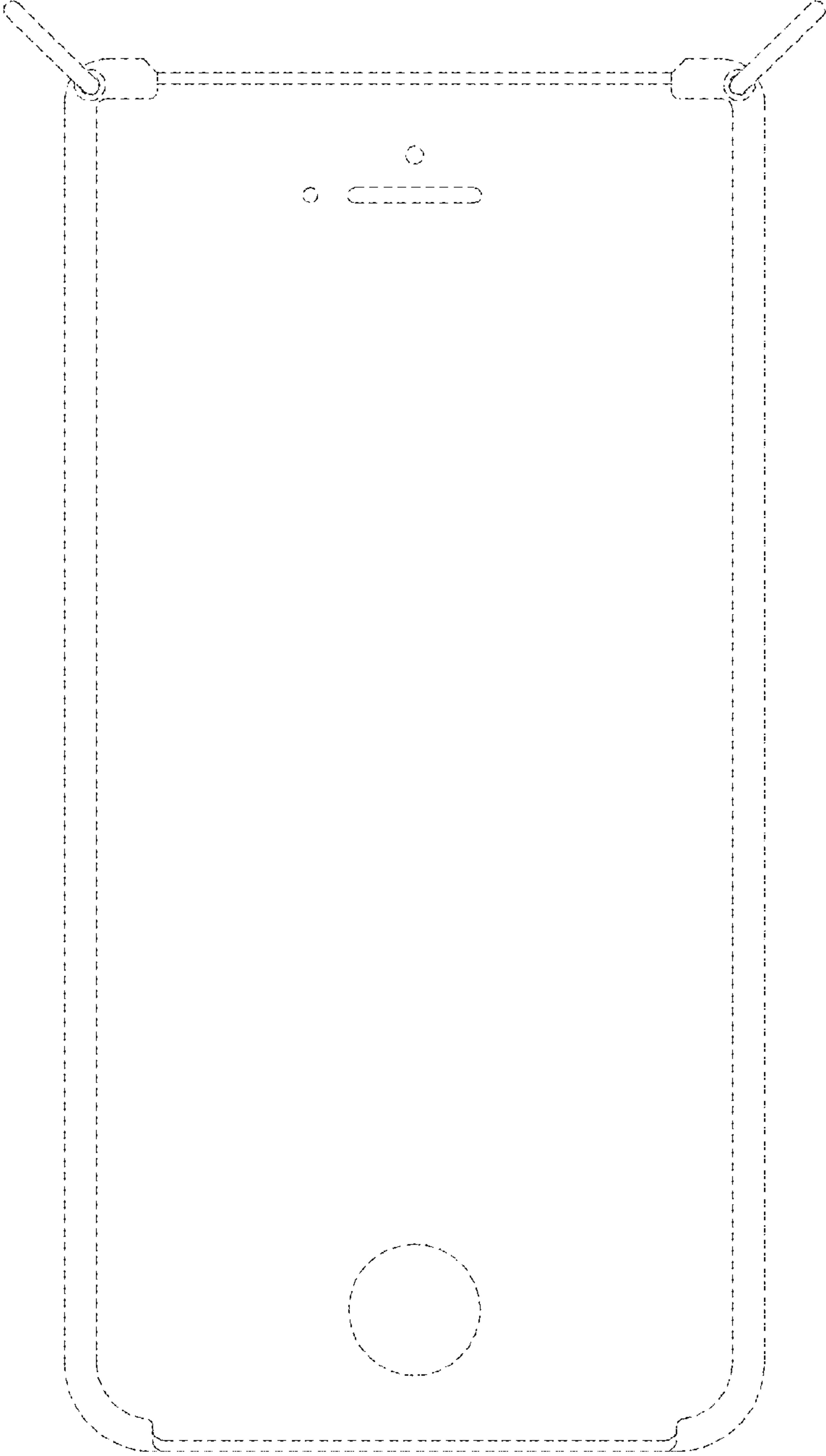


FIG. 5

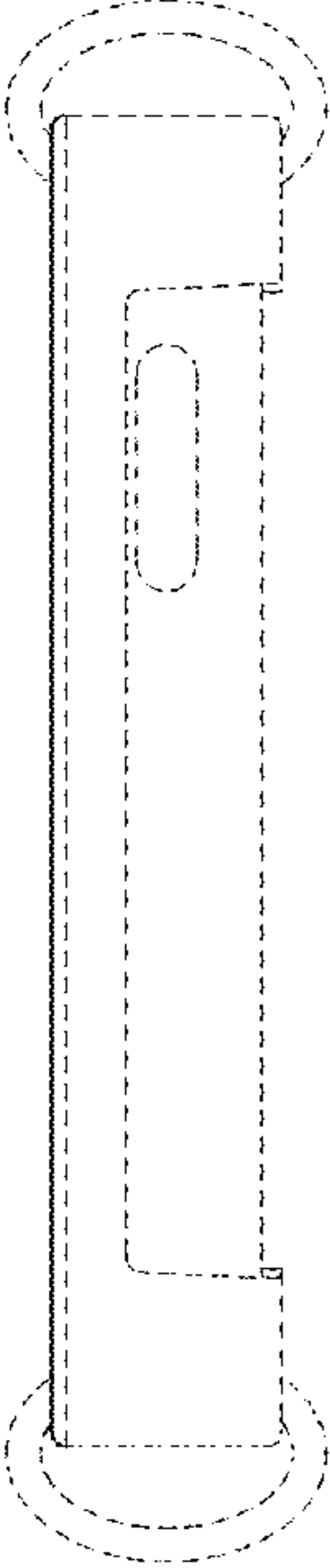


FIG. 6

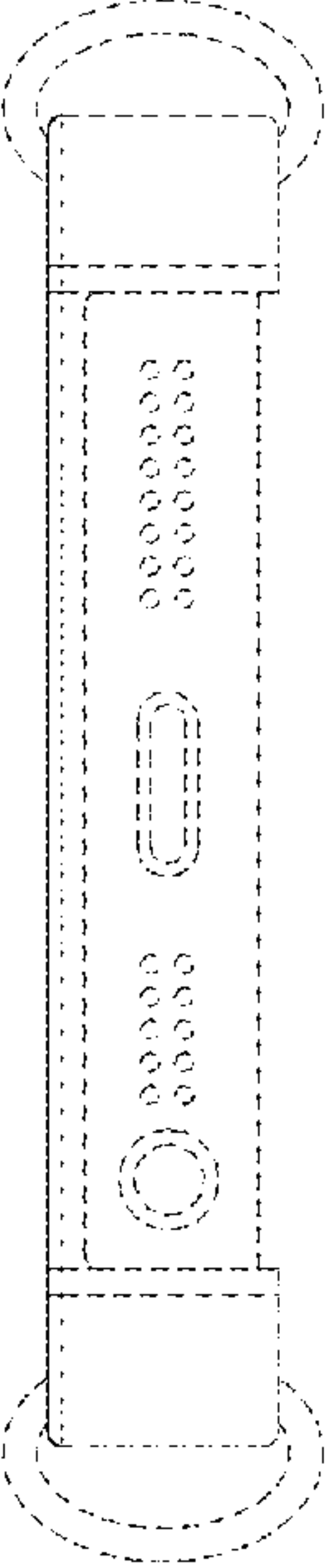


FIG. 7

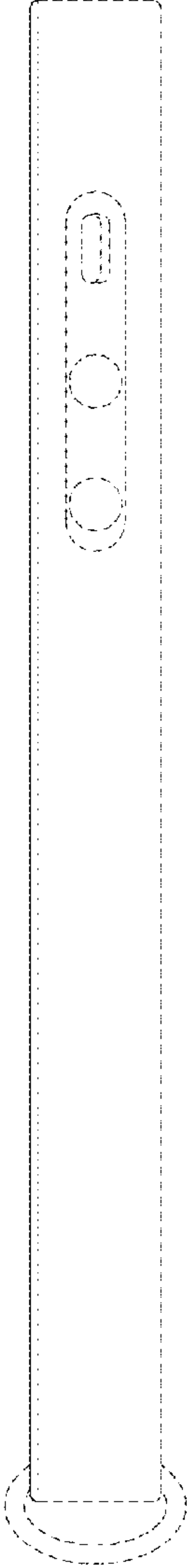


FIG. 8

