

US00D762631S

(12) **United States Design Patent**
Kim

(10) **Patent No.:** **US D762,631 S**
(45) **Date of Patent:** **** Aug. 2, 2016**

(54) **PROTECTIVE ENCLOSURE FOR AN ELECTRONIC DEVICE**

(71) Applicant: **OTTER PRODUCTS, LLC**, Fort Collins, CO (US)

(72) Inventor: **Michael H. Kim**, Valencia, CA (US)

(73) Assignee: **OTTER PRODUCTS, LLC**, Fort Collins, CO (US)

(**) Term: **14 Years**

(21) Appl. No.: **29/515,586**

(22) Filed: **Jan. 23, 2015**

(51) **LOC (10) Cl.** **14-03**

(52) **U.S. Cl.**
USPC **D14/250**

(58) **Field of Classification Search**
USPC D14/143, 189, 203.2–203.8, 217, 240, D14/248, 250–253, 440, 447, 496; D13/103, 107, 108, 119; D3/201, 218, D3/247, 269, 271.5, 273, 302, 303
CPC A45C 1/06; A45C 11/00; A45C 13/02; A45C 2011/002; A45F 2005/026; A45F 2200/0516; H04B 1/3888; H04M 1/0283; H04M 1/0202

See application file for complete search history.

(56) **References Cited**

U.S. PATENT DOCUMENTS

D656,135 S * 3/2012 Swartz D14/238.1
D675,604 S * 2/2013 Limber D14/250
D682,260 S * 5/2013 Tages D14/250

D685,361 S * 7/2013 Goradesky D14/250
D697,060 S * 1/2014 Yang D14/250
D702,221 S * 4/2014 Vandiver D14/250
D716,312 S * 10/2014 Fujioka D14/440
D718,289 S * 11/2014 Brand D14/250
D738,112 S * 9/2015 Lutgring D3/318
D748,613 S * 2/2016 Sasaki D14/250
D750,610 S * 3/2016 Chen D14/250
2013/0296004 A1* 11/2013 Tages H05K 5/03
455/575.8

* cited by examiner

Primary Examiner — Eric Goodman
Assistant Examiner — Amy Wierenga

(57) **CLAIM**

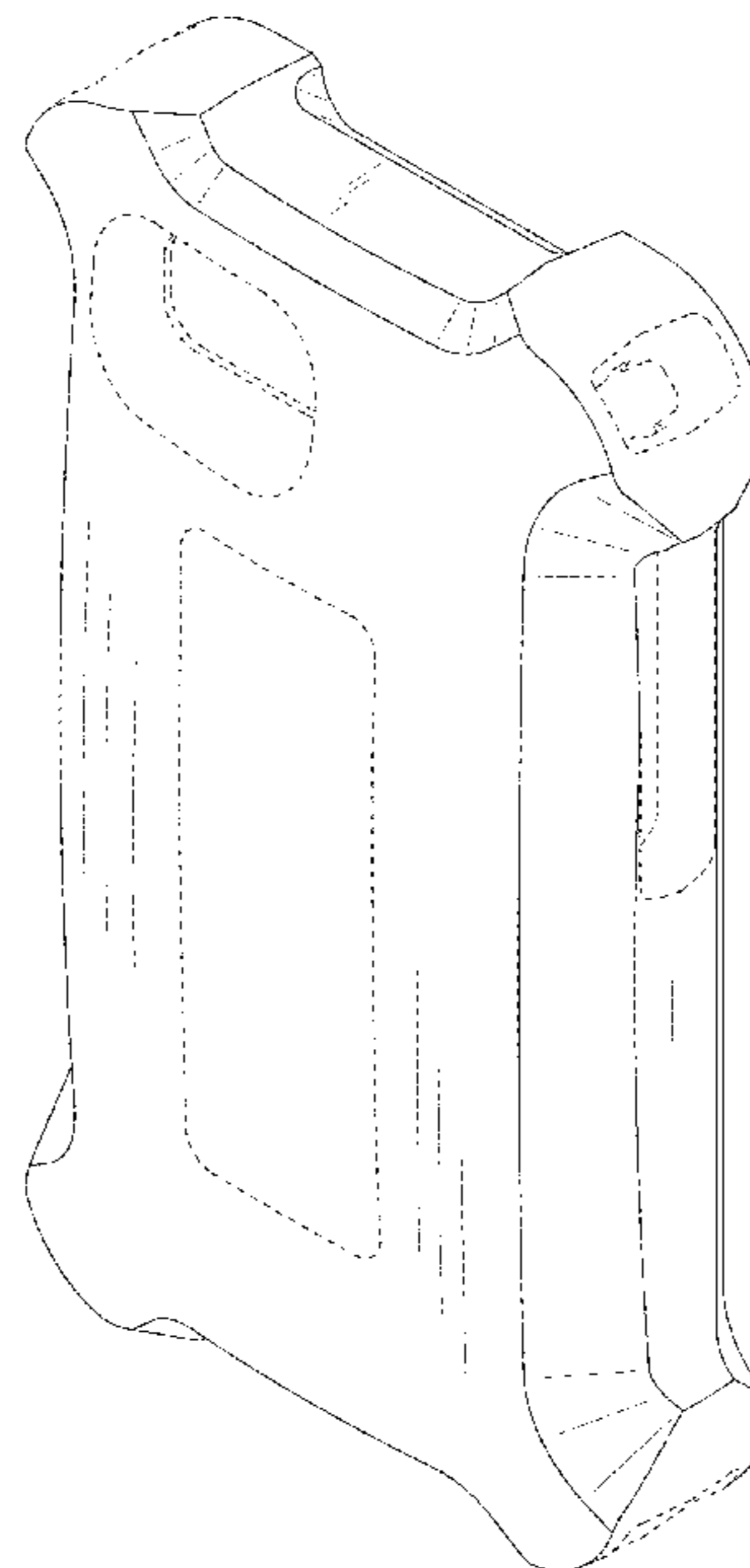
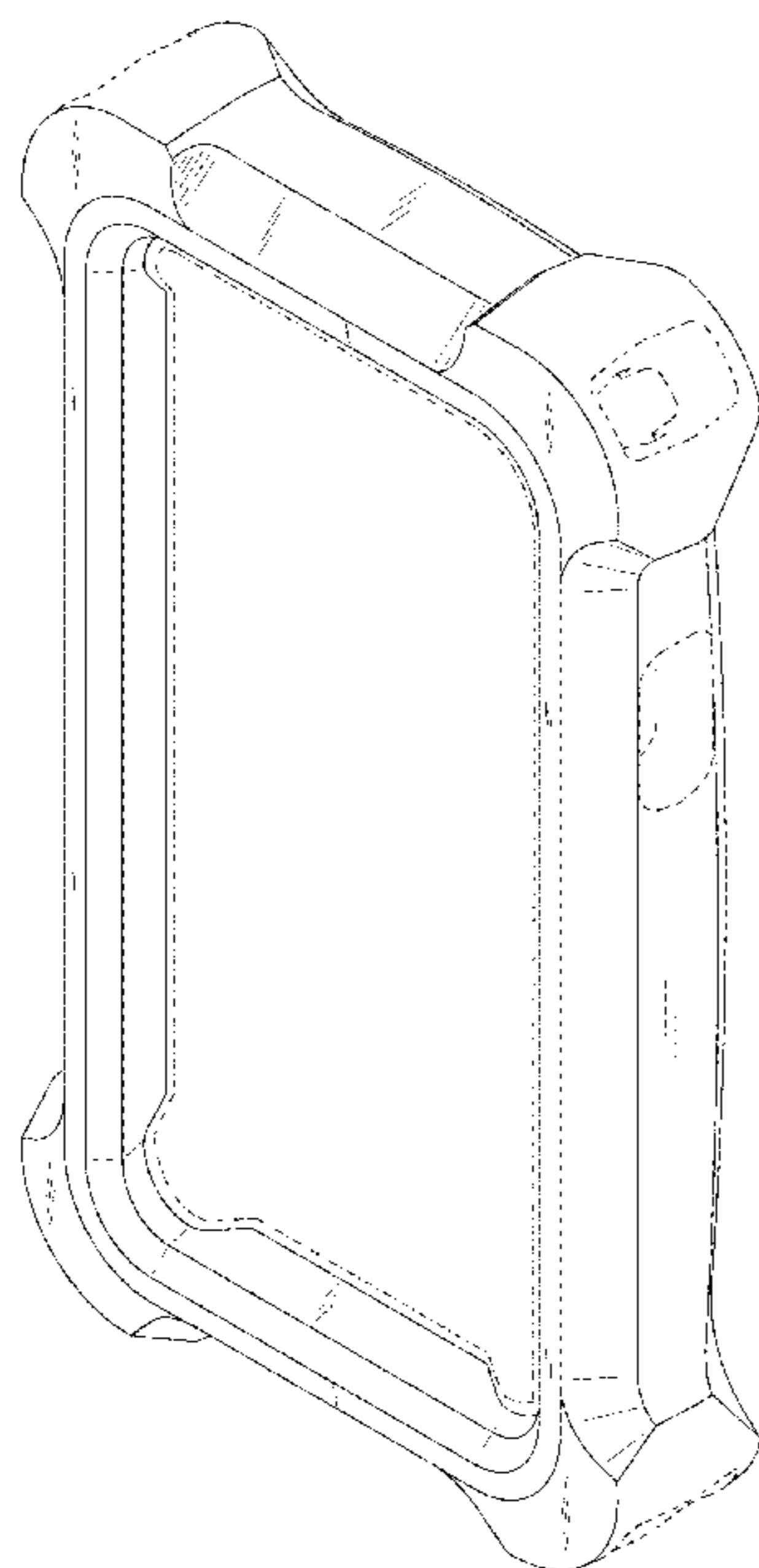
The ornamental design for a protective enclosure for an electronic device, as shown and described.

DESCRIPTION

FIG. 1 is a front isometric view of a protective enclosure for an electronic device showing our new design;
FIG. 2 is a rear isometric view thereof;
FIG. 3 is a front view thereof;
FIG. 4 is a rear view thereof;
FIG. 5 is a left view thereof;
FIG. 6 is a right view thereof;
FIG. 7 is a top view thereof; and,
FIG. 8 is a bottom view thereof.

The dot-dash-dot broken lines represent a boundary of the claimed design that forms no part of the claim. The dash-dash-dash broken lines depict portions of the article that form no part of the claim.

1 Claim, 6 Drawing Sheets



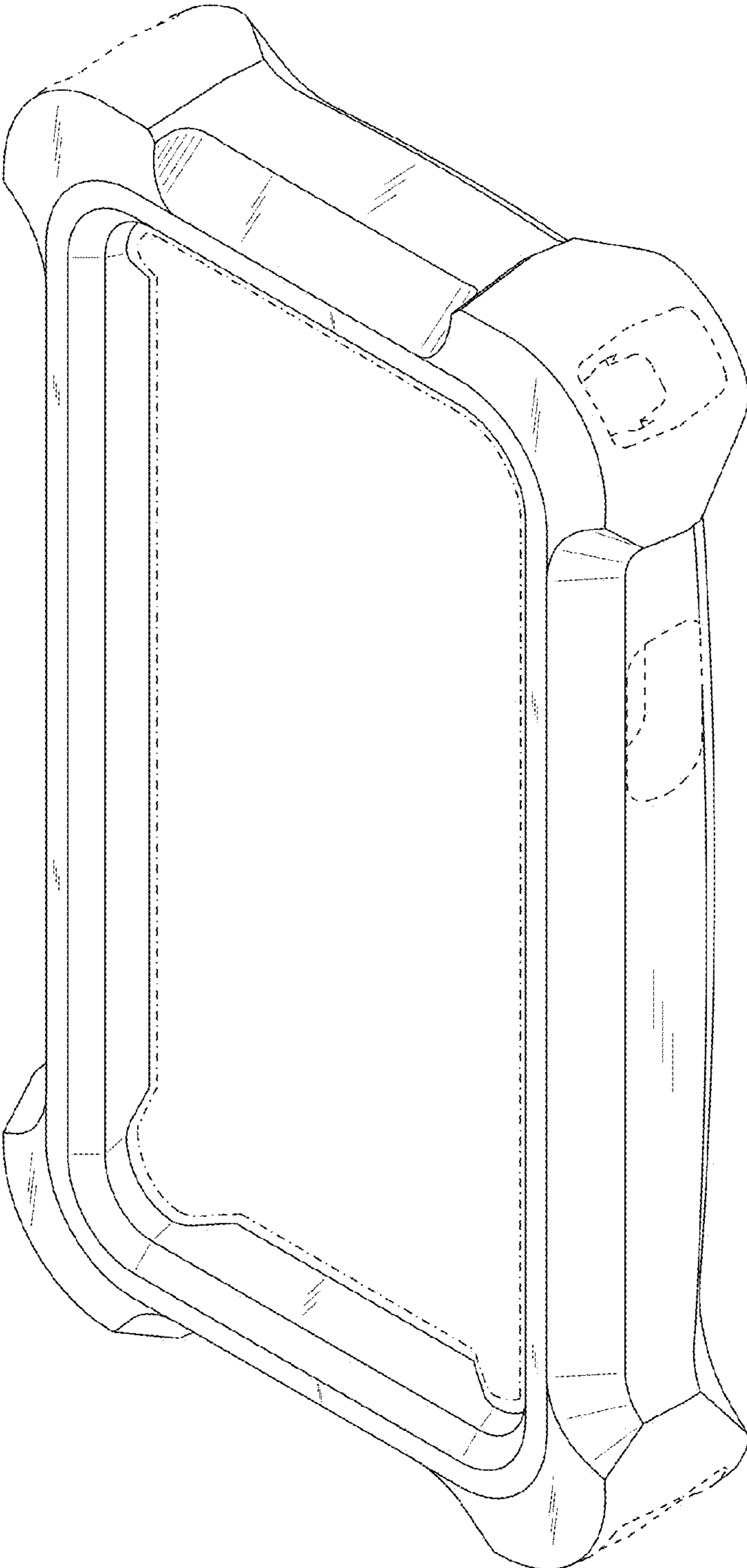


FIG. 1

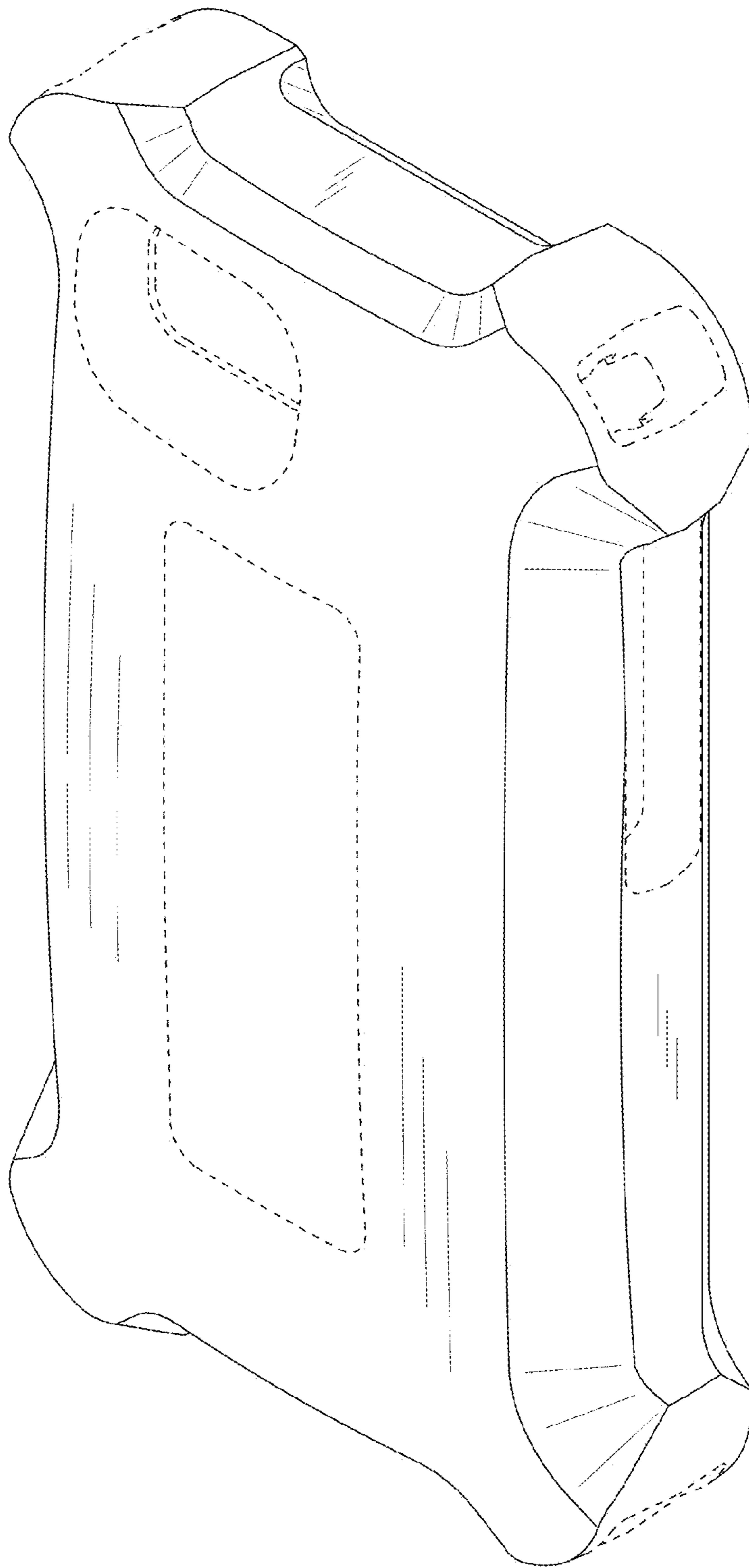


FIG. 2

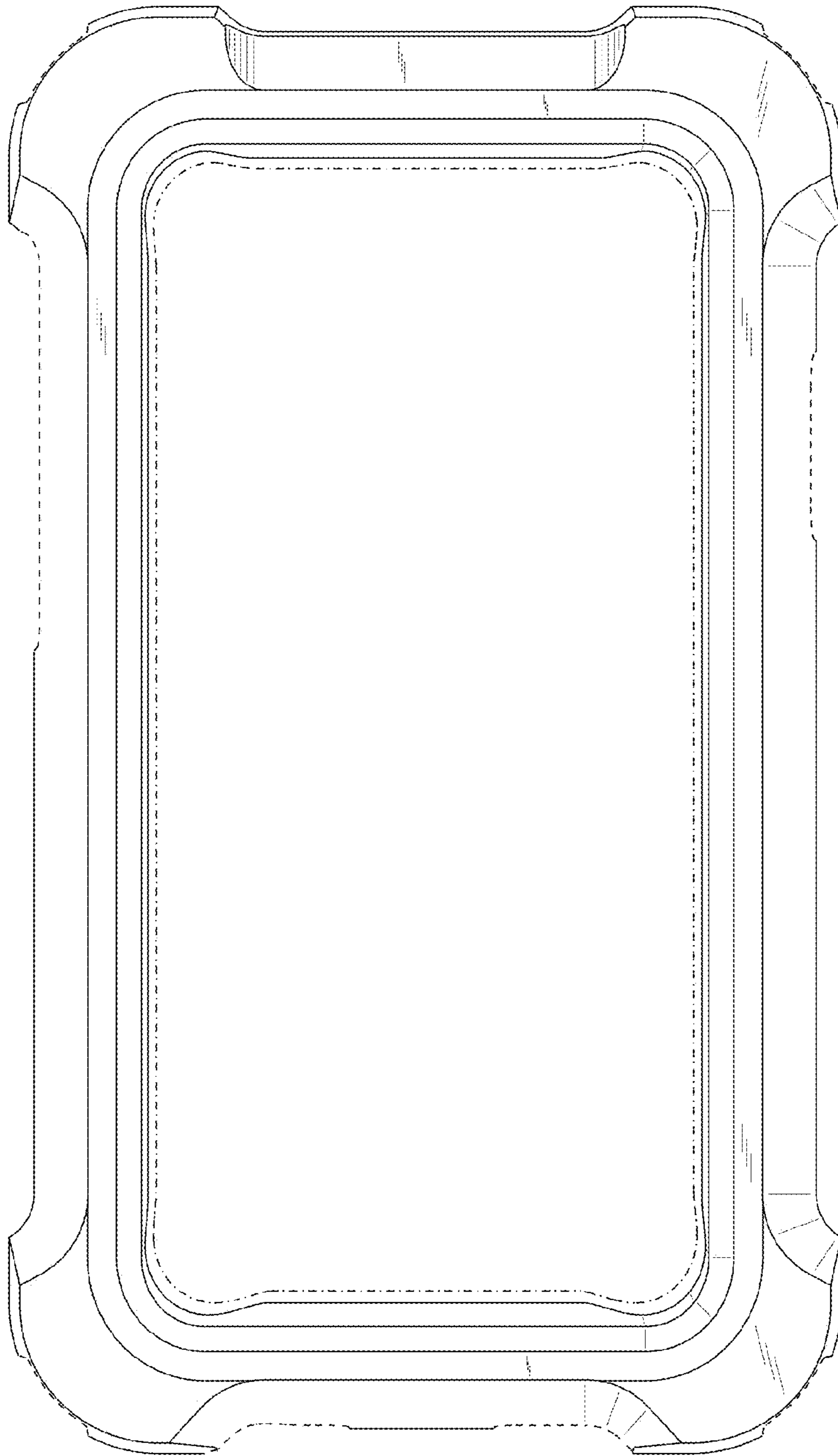


FIG. 3

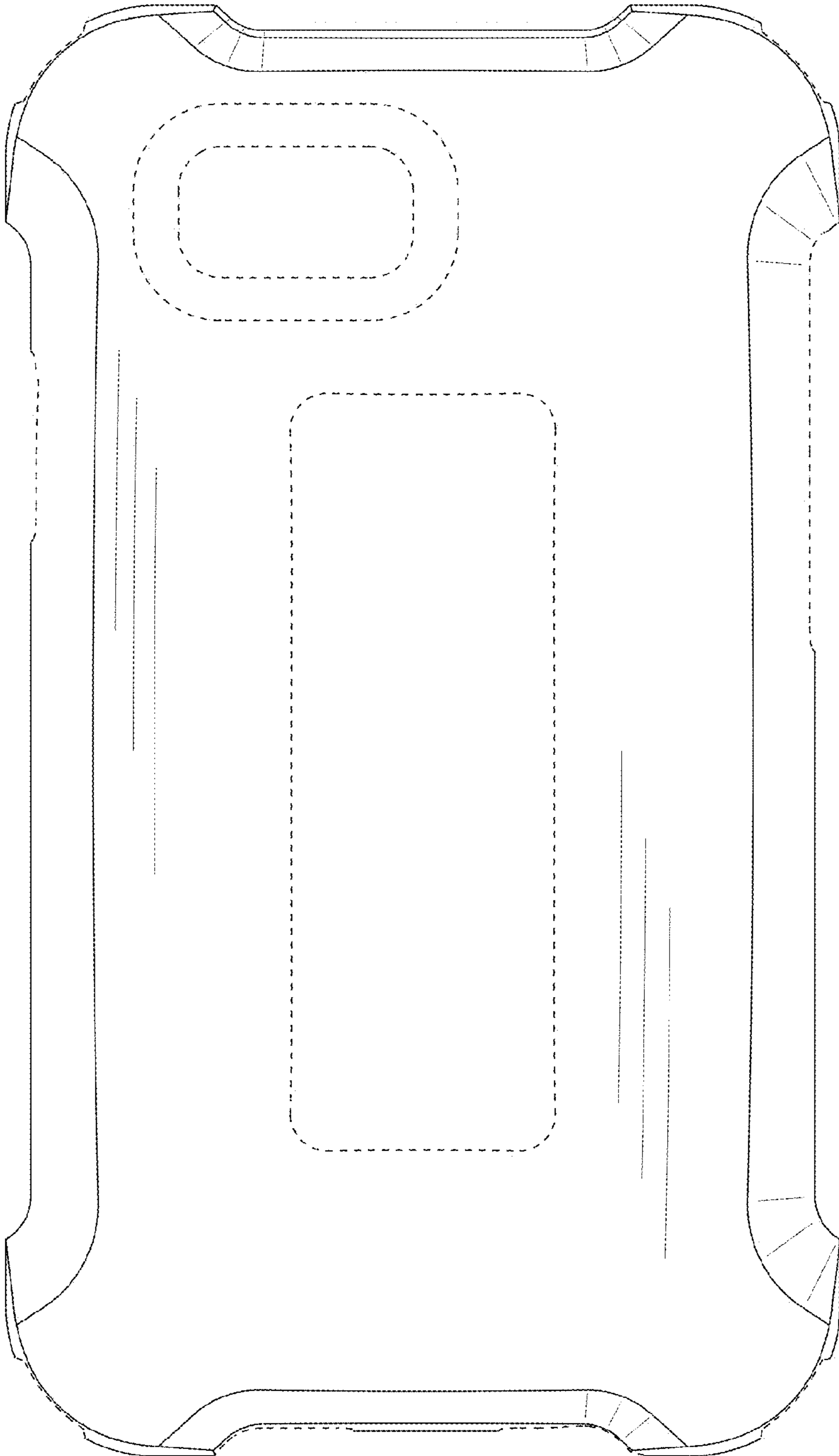


FIG. 4

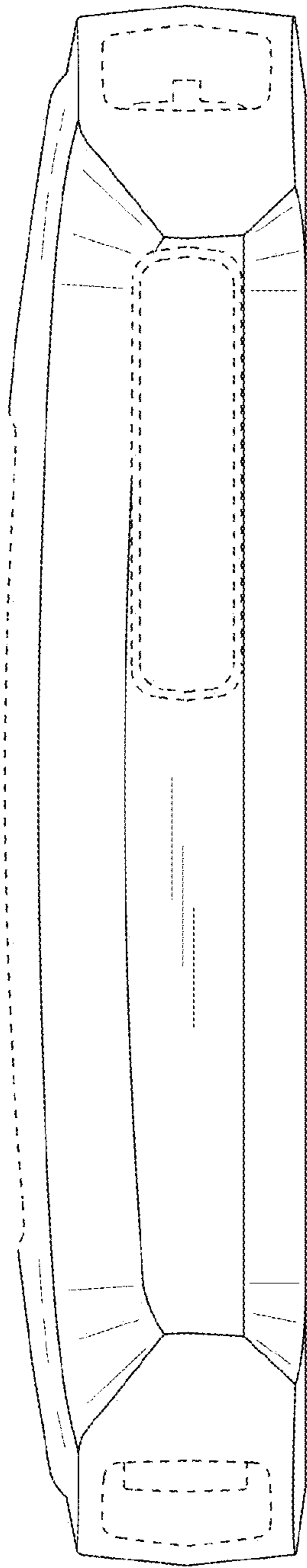


FIG. 5

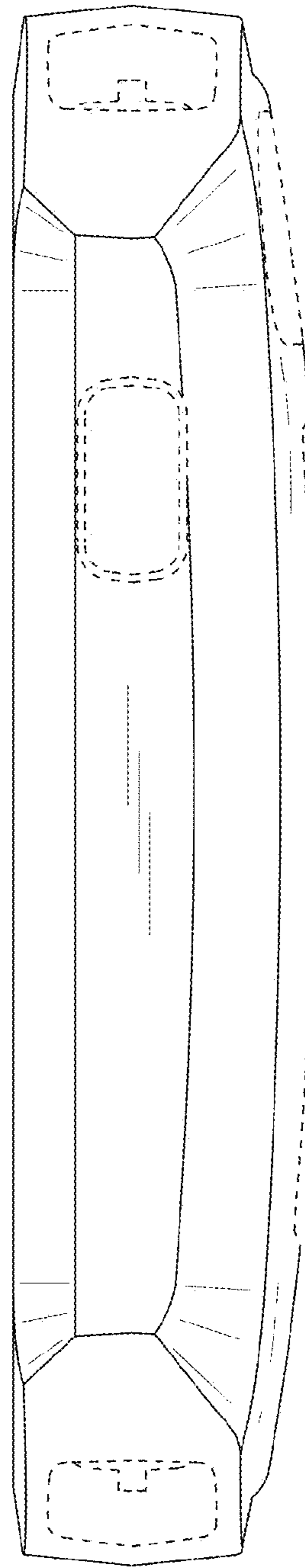


FIG. 6

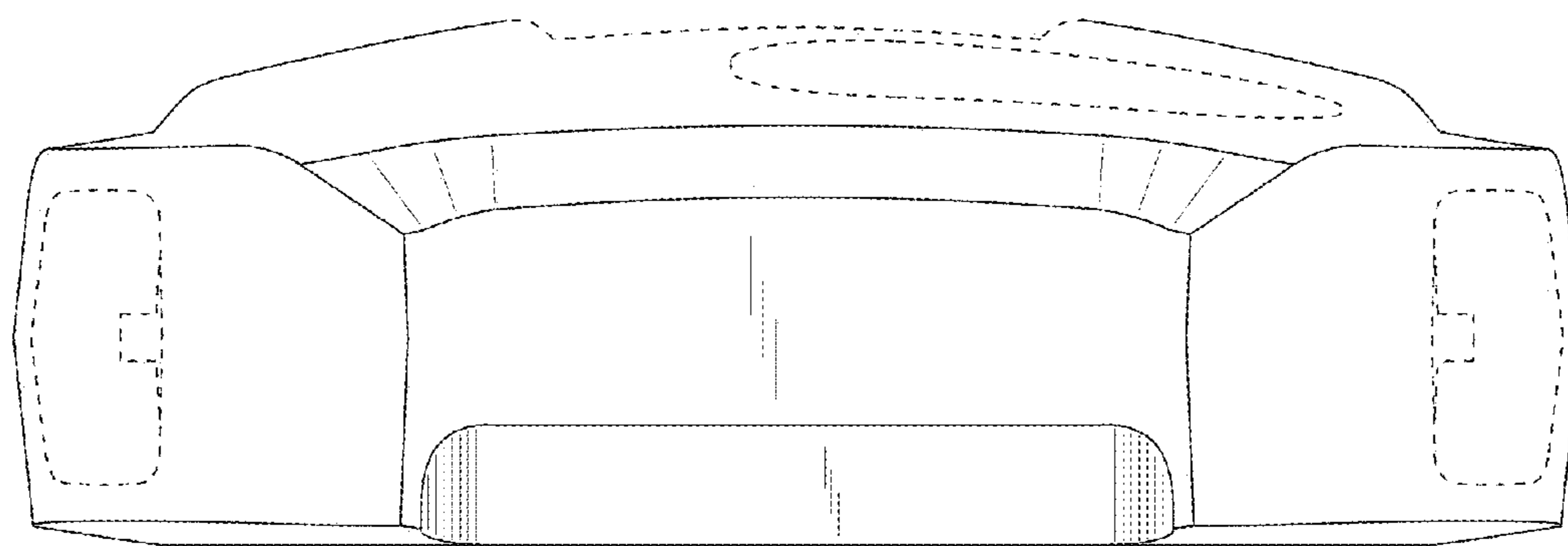


FIG. 7

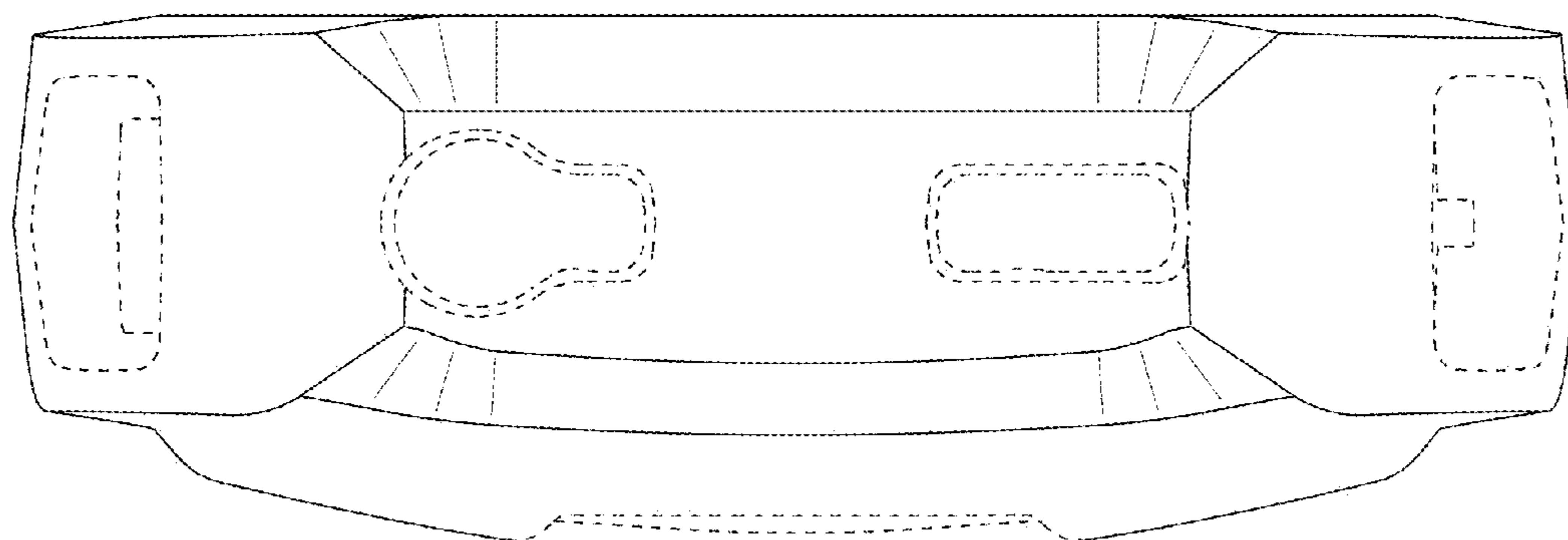


FIG. 8