

US00D762626S

(12) **United States Design Patent**  
**He et al.**

(10) **Patent No.:** **US D762,626 S**  
(45) **Date of Patent:** **\*\* Aug. 2, 2016**

(54) **ELECTRONIC DEVICE**

FOREIGN PATENT DOCUMENTS

(71) Applicant: **LENOVO (BEIJING) CO., LTD.**,  
Beijing (CN)

CN 303453736 \* 11/2015  
EM 002392654-0001 \* 3/2014

(Continued)

(72) Inventors: **Shurong He**, Beijing (CN); **Yue Qin**,  
Beijing (CN); **Yingjia Yao**, Beijing (CN)

OTHER PUBLICATIONS

(73) Assignee: **Lenovo (Beijing) Co., Ltd.**, Beijing  
(CN)

LG Optimus L9 P760, Released Nov. 2012, [online], [retrieved on  
Dec. 29, 2015]. Retrieved from Internet ,<URL: <http://www.gsmarena.com>>.\*

(Continued)

(\*\*) Term: **14 Years**

*Primary Examiner* — Bridget L Eland  
*Assistant Examiner* — Lauren McVey  
(74) *Attorney, Agent, or Firm* — Oppedahl Patent Law Firm  
LLC

(21) Appl. No.: **29/499,733**

(57) **CLAIM**

The ornamental design for an electronic device, as shown and  
described.

(22) Filed: **Aug. 19, 2014**

**DESCRIPTION**

(30) **Foreign Application Priority Data**

Feb. 19, 2014 (CN) ..... 2014 3 0030141

(51) **LOC (10) Cl.** ..... **14-03**

(52) **U.S. Cl.**  
USPC ..... **D14/248**

(58) **Field of Classification Search**  
USPC ..... D14/248, 138 G, 138 AD, 341-347,  
D14/138 AA, 218, 138 AB, 247, 138 R,  
D14/138 AC, 138 C, 138, 137, 147, 191,  
D14/203.1-203.8, 496

CPC ..... H04M 1/0202; H04M 1/0235; H04M  
1/0237; H04M 1/0239; H04M 1/0266; H04M  
1/0268; H04M 1/027; H04M 1/0295

See application file for complete search history.

(56) **References Cited**

U.S. PATENT DOCUMENTS

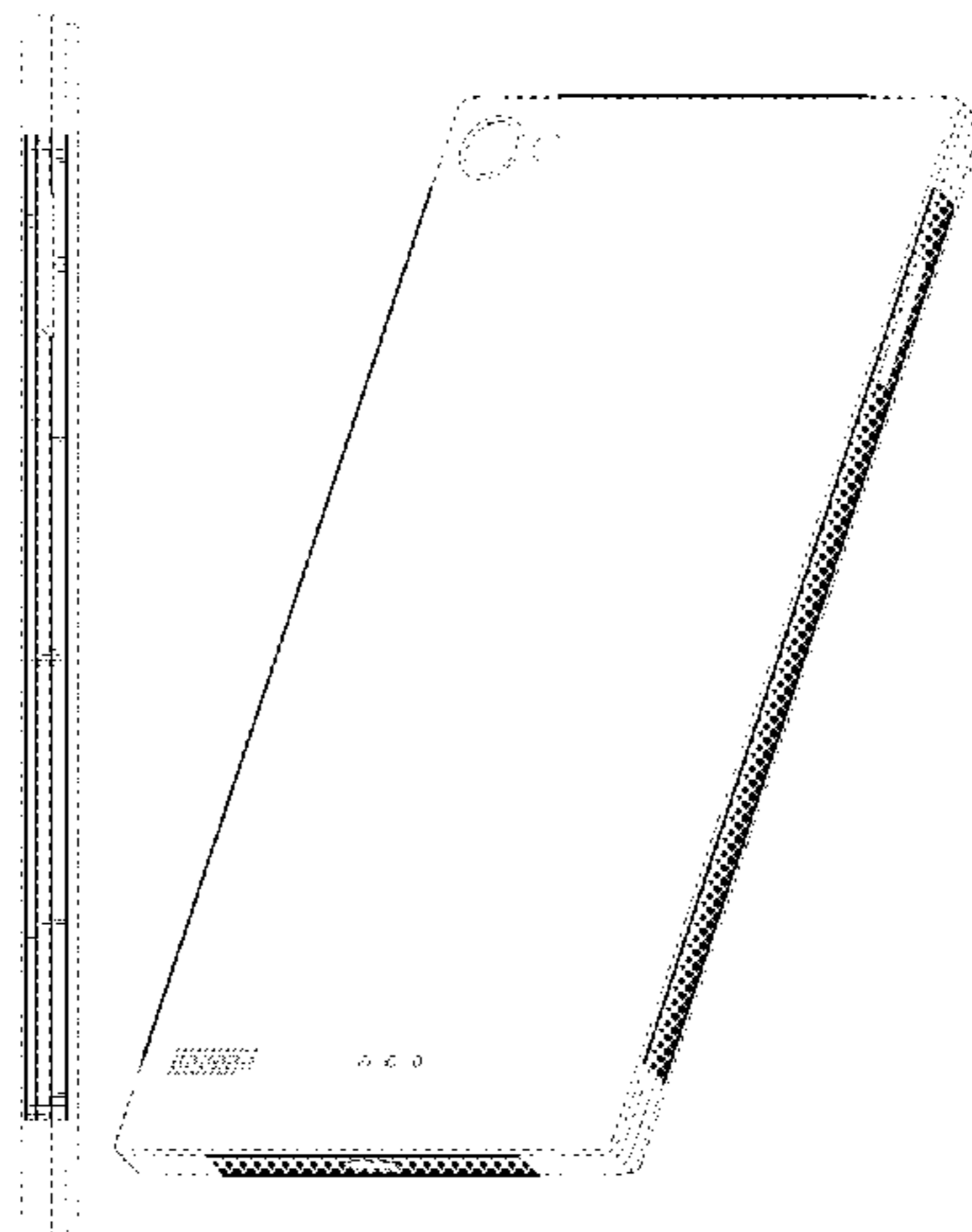
D560,635 S \* 1/2008 Kim ..... D14/138 AA  
D569,830 S \* 5/2008 Kwak ..... D14/138 G

(Continued)

FIG. 1 is a front view of a first embodiment of an electronic  
device, showing our new design;  
FIG. 2 is a rear view thereof;  
FIG. 3 is a left view thereof;  
FIG. 4 is a right view thereof;  
FIG. 5 is a top view thereof;  
FIG. 6 is a bottom view thereof;  
FIG. 7 is a rear perspective view thereof;  
FIG. 8 is a front view of a second embodiment of an electronic  
device, showing our new design;  
FIG. 9 is a rear view thereof;  
FIG. 10 is a left view thereof;  
FIG. 11 is a right view thereof;  
FIG. 12 is a top view thereof;  
FIG. 13 is a bottom view thereof; and,  
FIG. 14 is a rear perspective view thereof.

The different tonal values in FIGS. 8-14 represent the rela-  
tionship between the contrasting layers. The characteristic  
feature of the design is the effect of the three distinct layers.  
The broken lines that are immediately adjacent to the claim,  
and define unshaded regions, represent the bounds of the  
claim, while all other broken lines are directed to environ-  
ment; the broken lines form no part of the claimed design.

**1 Claim, 14 Drawing Sheets**



(56)

References Cited

U.S. PATENT DOCUMENTS

D569,837 S \* 5/2008 Baik ..... D14/138 G  
 D612,355 S \* 3/2010 Luo ..... D14/138 AC  
 D639,277 S \* 6/2011 Alvarado ..... D14/218  
 D646,661 S \* 10/2011 Kim ..... D14/138 AD  
 D653,638 S \* 2/2012 Kim ..... D14/138 AD  
 D675,180 S \* 1/2013 Zhang ..... D14/138 G  
 D675,181 S \* 1/2013 Morgenroth ..... D14/138 G  
 D677,236 S \* 3/2013 Kim ..... D14/138 G  
 D687,799 S \* 8/2013 Shin ..... D14/138 G  
 D692,405 S \* 10/2013 Lee ..... D14/138 AD  
 D702,206 S \* 4/2014 Kim ..... D14/138 G  
 D703,632 S \* 4/2014 Lim ..... D14/138 G  
 D712,865 S \* 9/2014 Mauritzson ..... D14/138 G  
 D713,830 S \* 9/2014 Dhondt ..... D14/248  
 D714,244 S \* 9/2014 Lee ..... D14/138 G  
 D721,667 S \* 1/2015 Chuang ..... D14/138 G  
 D730,863 S \* 6/2015 Yamagishi ..... D14/138 G  
 D737,795 S \* 9/2015 Huang ..... D14/138 G  
 D738,343 S \* 9/2015 Shao ..... D14/138 G  
 D738,344 S \* 9/2015 Joung ..... D14/138 AD

D745,499 S \* 12/2015 Lee ..... D14/248  
 2010/0267428 A1\* 10/2010 Wang ..... H04M 1/0241  
 455/575.4  
 2011/0081953 A1\* 4/2011 Higuchi ..... G06F 3/0481  
 455/566

FOREIGN PATENT DOCUMENTS

EM 002483156-0001 \* 9/2014  
 JP D1522270 \* 4/2015  
 JP D1540166 \* 12/2015

OTHER PUBLICATIONS

Sony Xperia T2 Ultra dual, Announced Jan. 2014, [online], [retrieved on May 30, 2014]. Retrieved from Internet ,<URL: <http://www.gsmarena.com>>.\*  
 Toshiba Excite AT200, Announced Sep. 2011, [online], [retrieved on Feb. 3, 2012]. Retrieved from Internet ,<URL: <http://www.gsmarena.com>>.\*  
 Nokia N9, Announced Jun. 2011, [online], [retrieved on Aug. 19, 2011]. Retrieved from Internet ,<URL: <http://www.gsmarena.com>>.\*

\* cited by examiner

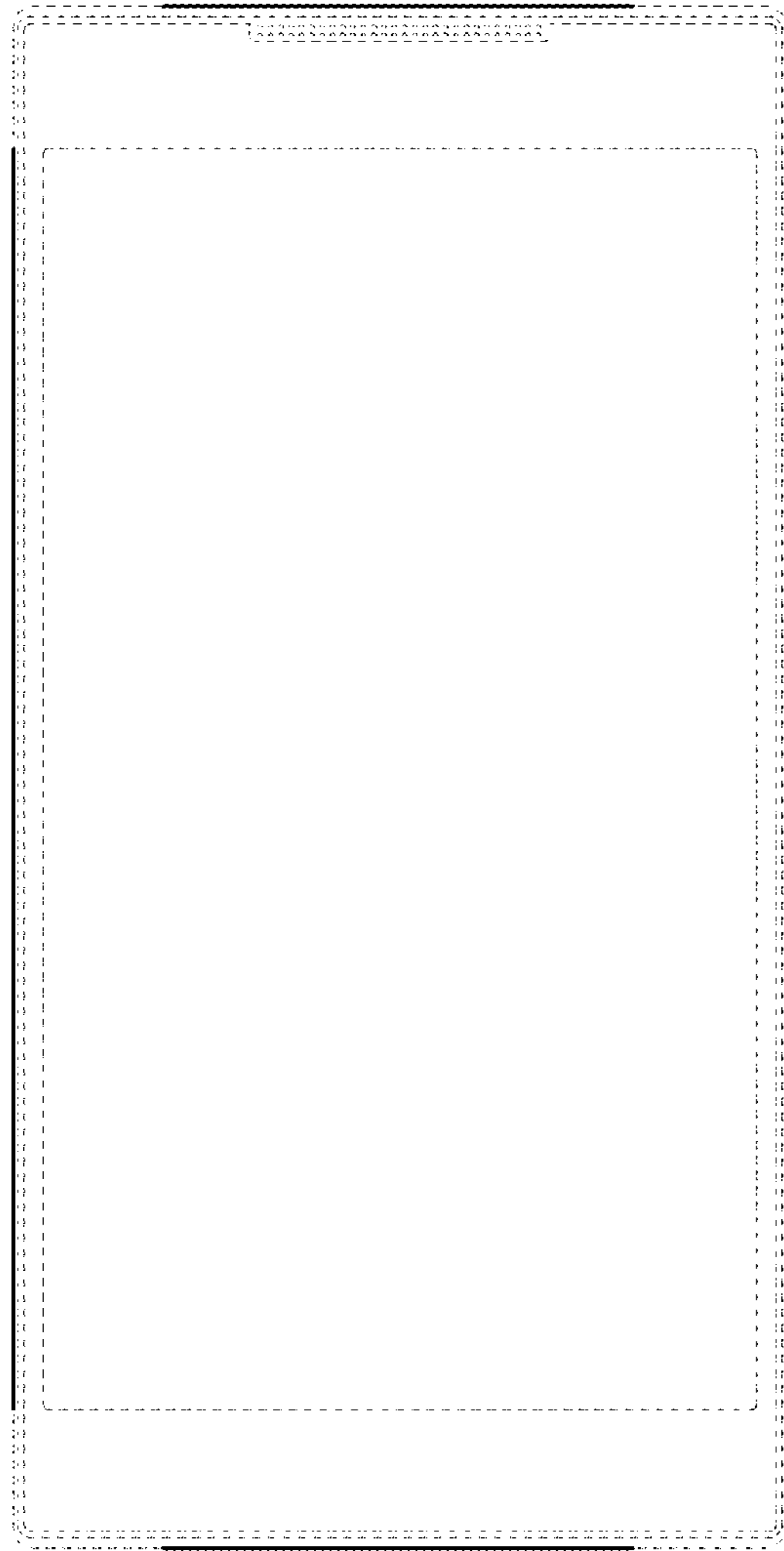


FIG. 1

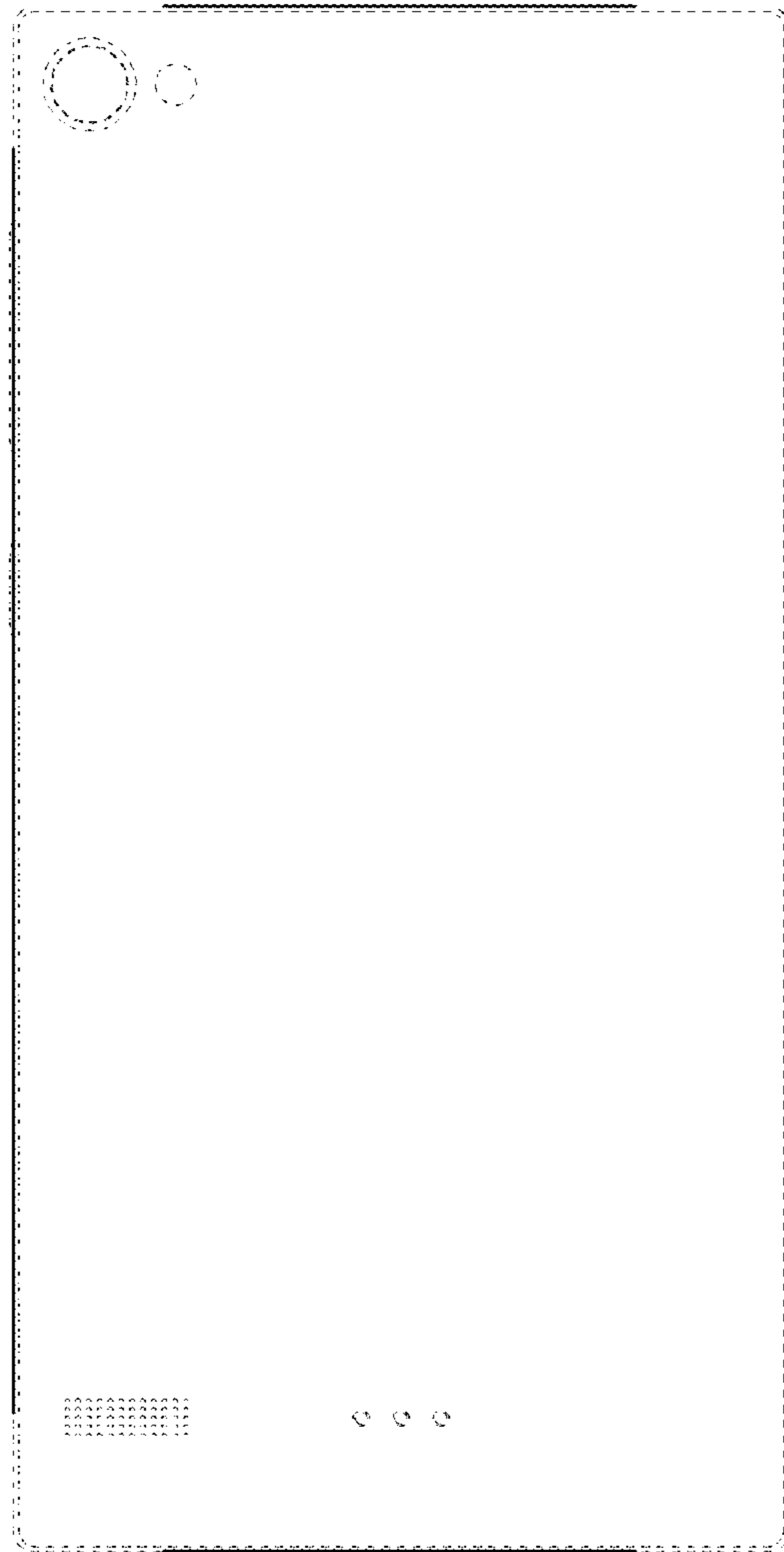


FIG. 2

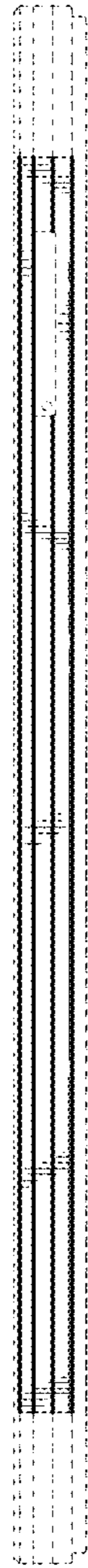


FIG. 3

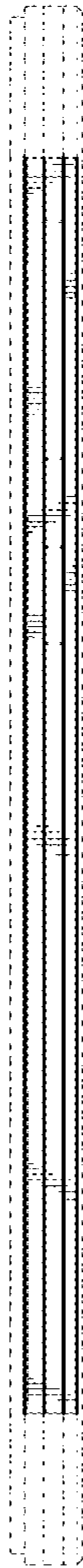


FIG. 4

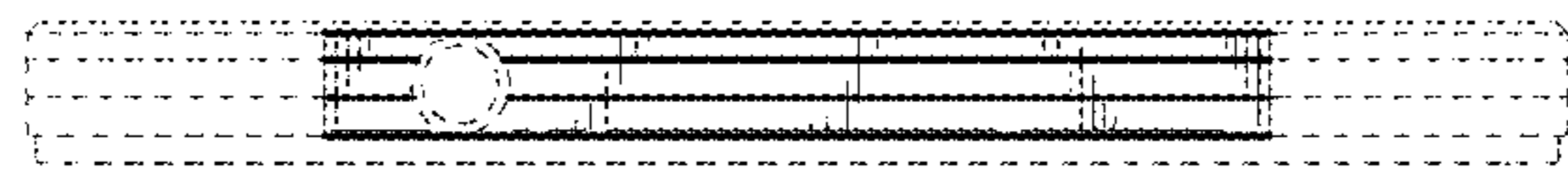


FIG. 5

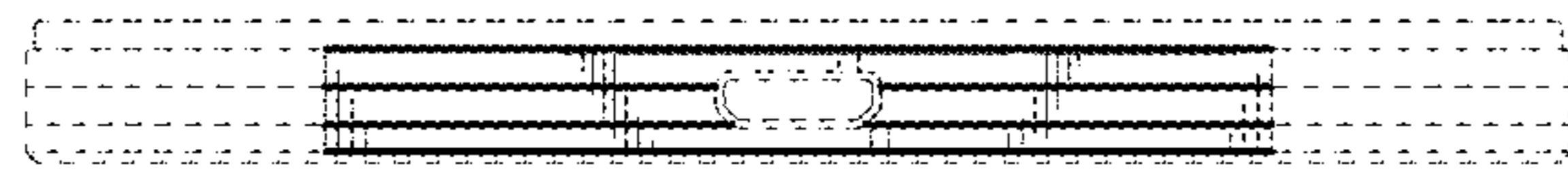


FIG. 6



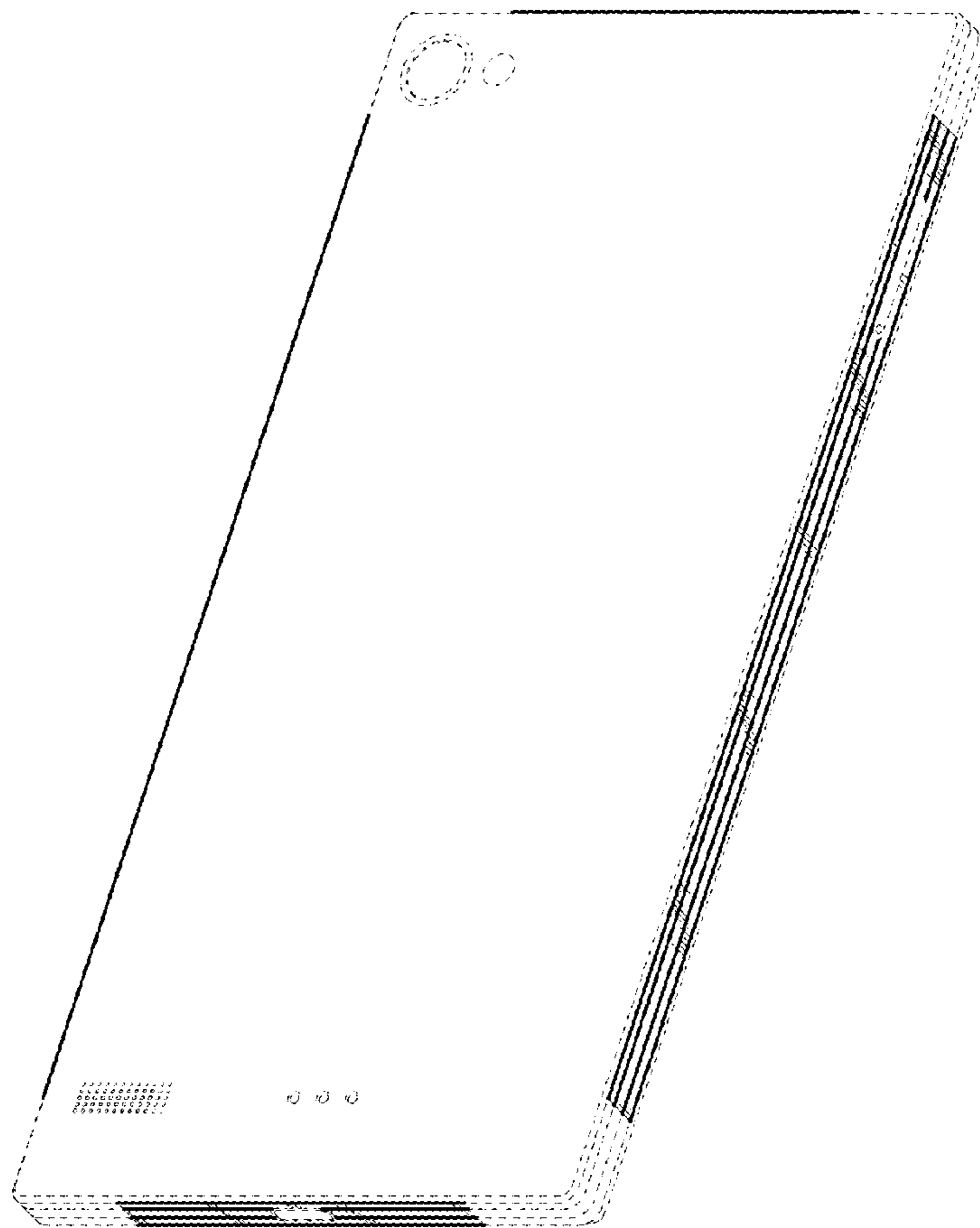


FIG. 7

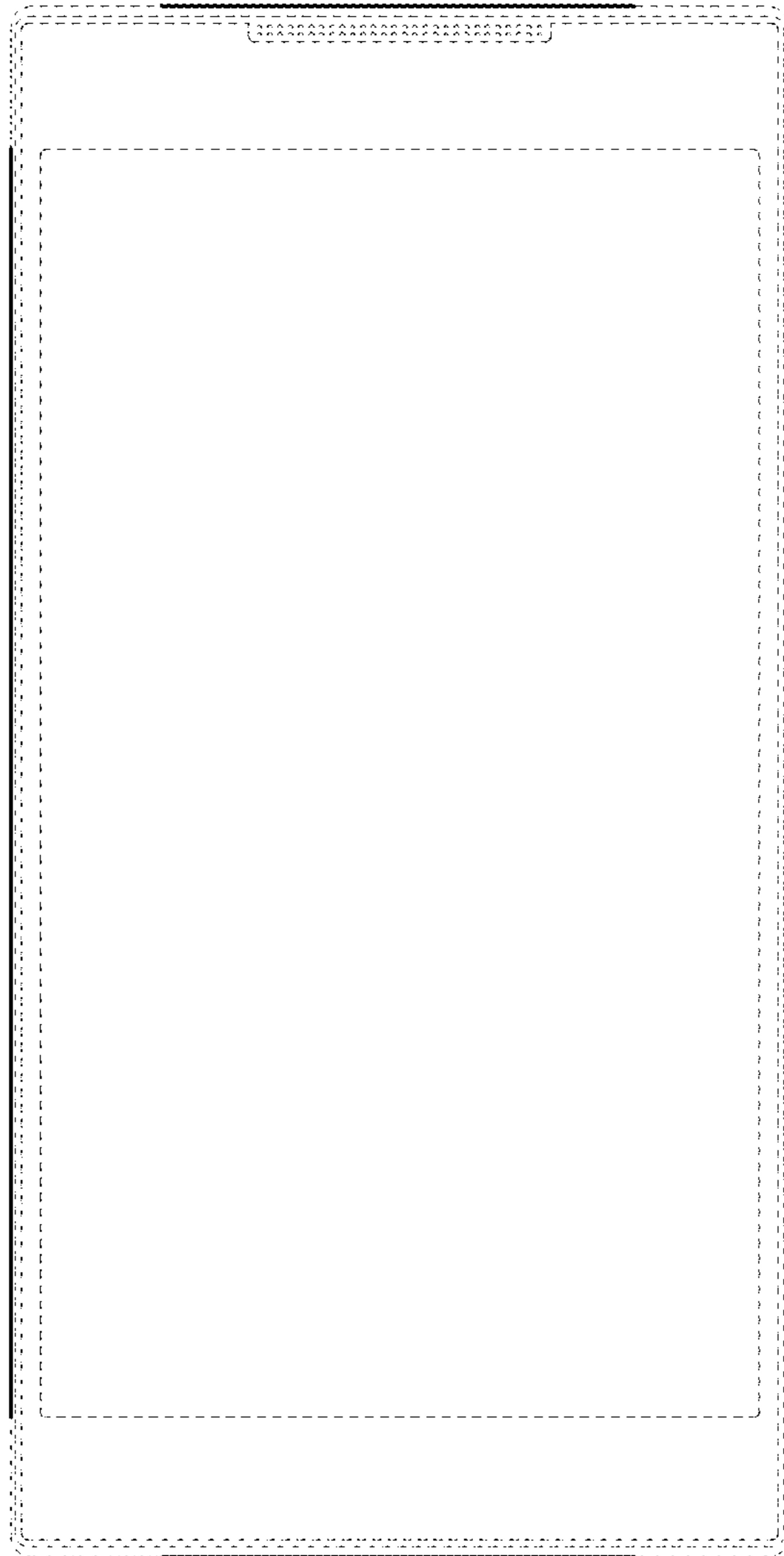


FIG. 8

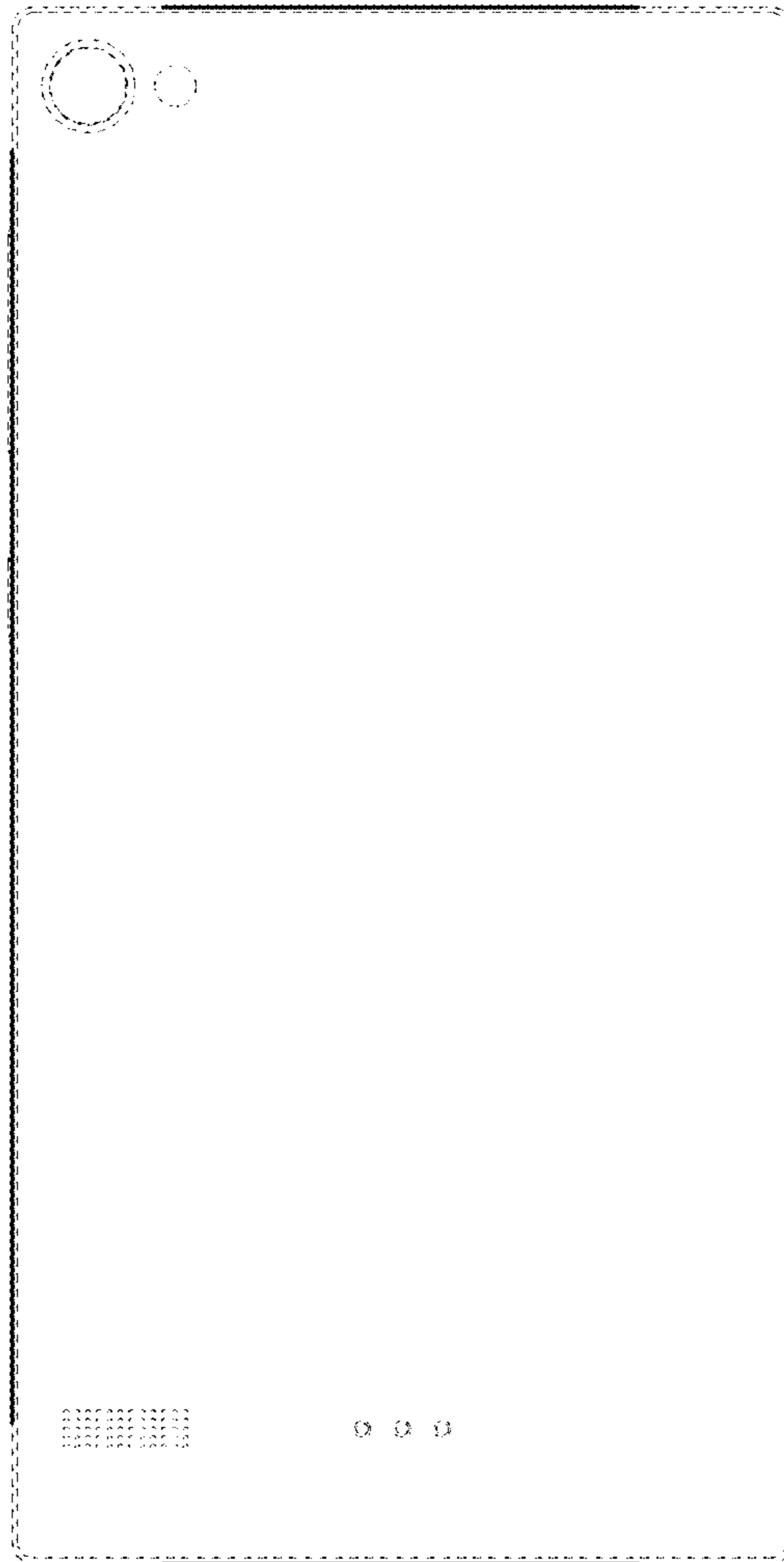


FIG. 9

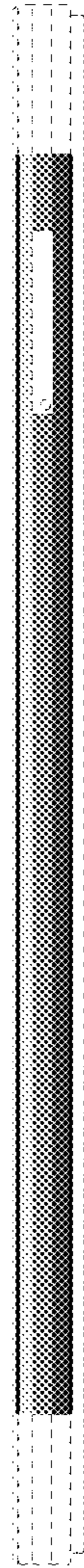


FIG. 10

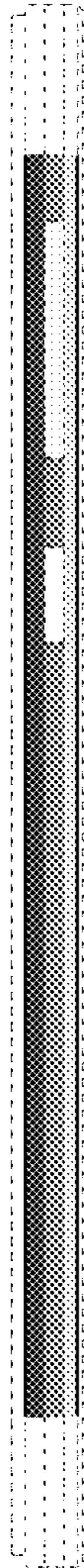


FIG. 11

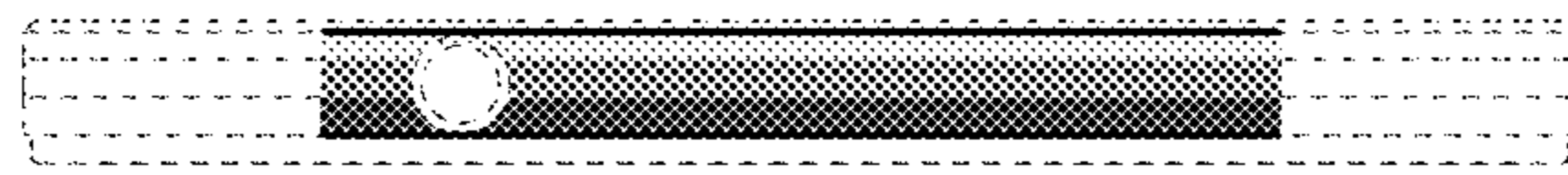


FIG. 12



FIG. 13

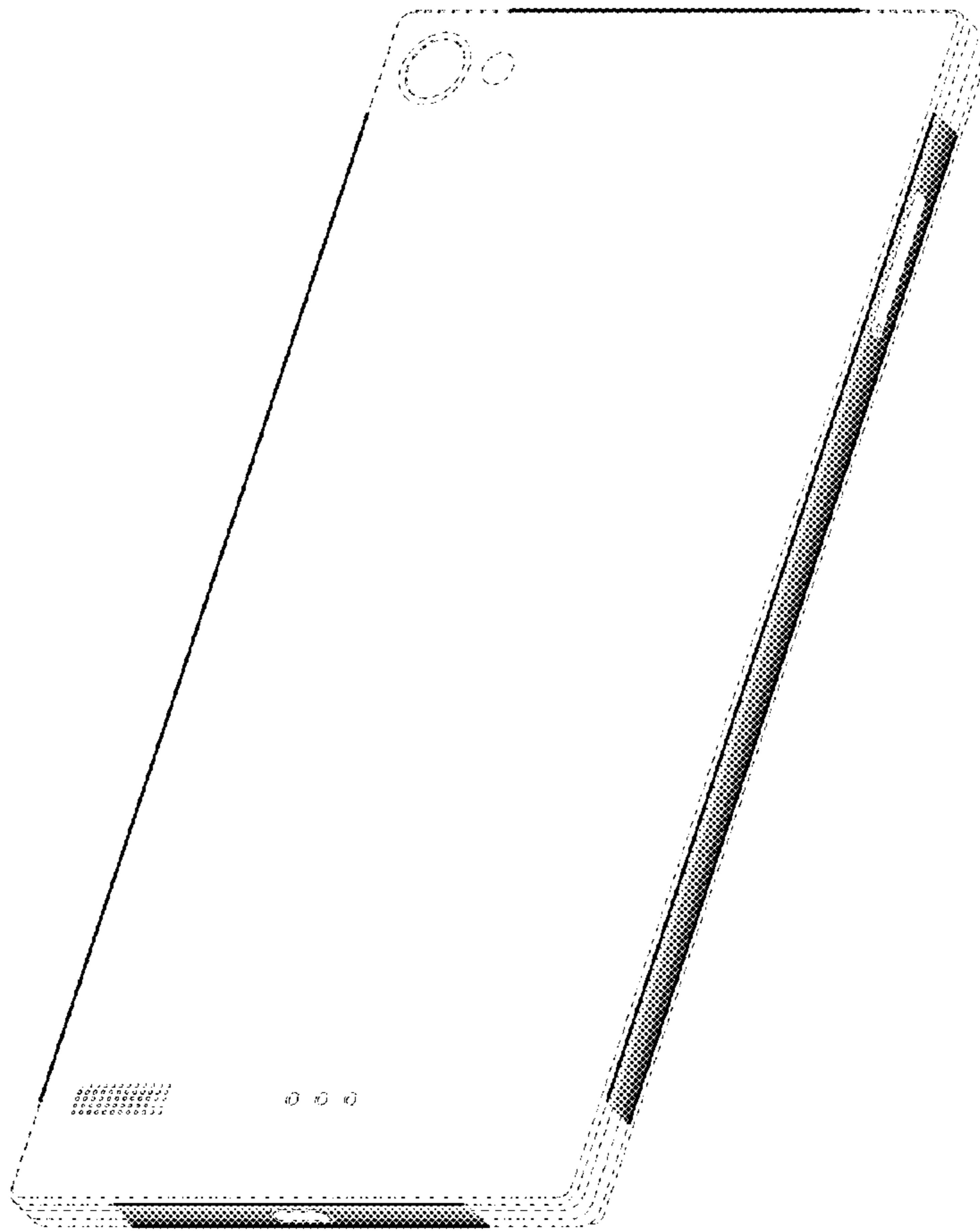


FIG. 14