



US00D762623S

(12) **United States Design Patent**
Gondo

(10) **Patent No.:** **US D762,623 S**

(45) **Date of Patent:** **** Aug. 2, 2016**

(54) **EARPHONE**

(71) Applicant: **JVC KENWOOD Corporation**,
Yokohama-shi, Kanagawa (JP)

(72) Inventor: **Makoto Gondo**, Yokohama (JP)

(73) Assignee: **JVC KENWOOD Corporation**,
Yokohama-Shi, Kanagawa (JP)

(**) Term: **14 Years**

(21) Appl. No.: **29/521,305**

(22) Filed: **Mar. 23, 2015**

(30) **Foreign Application Priority Data**

Nov. 7, 2014 (JP) 2014-024826

(51) **LOC (10) Cl.** **14-01**

(52) **U.S. Cl.**
USPC **D14/223**

(58) **Field of Classification Search**
USPC D14/223, 205; D24/174; 181/129, 130,
181/135; 379/430, 431; 381/380, 381, 370,
381/371, 374; 455/90.3, 575.1
CPC H04R 1/10; H04R 1/1016; H04R 25/00
See application file for complete search history.

(56) **References Cited**

U.S. PATENT DOCUMENTS

4,972,492 A * 11/1990 Tanaka H04R 1/1016
181/130
D316,550 S * 4/1991 Sogabe D14/168
D340,932 S * 11/1993 Yan D14/249
D357,921 S * 5/1995 Ming-Chin D14/223
D382,874 S * 8/1997 Peschke D14/142
6,122,369 A * 9/2000 Hwang H04M 1/6058
379/420.03
D469,753 S * 2/2003 Andre D14/205
6,574,345 B1 * 6/2003 Huang H04R 1/1016
379/430

D512,982 S * 12/2005 Rodarte D14/205
D523,846 S * 6/2006 Lee D14/205
D538,784 S * 3/2007 Eklund D14/205
D554,109 S * 10/2007 Ledbetter D14/223
D554,627 S * 11/2007 Gondo D14/223
D555,152 S * 11/2007 Wang D14/223
D556,741 S * 12/2007 Yeo D14/205
D557,689 S * 12/2007 Huang D14/223
D572,242 S * 7/2008 Yang D14/205
D575,269 S * 8/2008 Ledbetter D14/205
D576,154 S * 9/2008 Ledbetter D14/223
D579,923 S * 11/2008 Andre D14/205
D583,804 S * 12/2008 Mahler D14/223
D591,264 S * 4/2009 Hong D14/205
D604,272 S * 11/2009 Kitayama D14/223
D604,273 S * 11/2009 Tamura D14/223
D643,417 S * 8/2011 Lee D14/223
D671,530 S * 11/2012 Yang D14/223
D673,531 S * 1/2013 Lee D14/223
D676,426 S * 2/2013 Komiyama D14/223

(Continued)

Primary Examiner — Paula Greene

(74) *Attorney, Agent, or Firm* — Nath Goldberg & Meyer;
Jerald L. Meyer

(57) **CLAIM**

The ornamental design for an earphone, as shown and described.

DESCRIPTION

FIG. 1 is a front perspective view of an earphone showing my new design;

FIG. 2 is a front view thereof;

FIG. 3 is a rear view thereof;

FIG. 4 is a top plan view thereof;

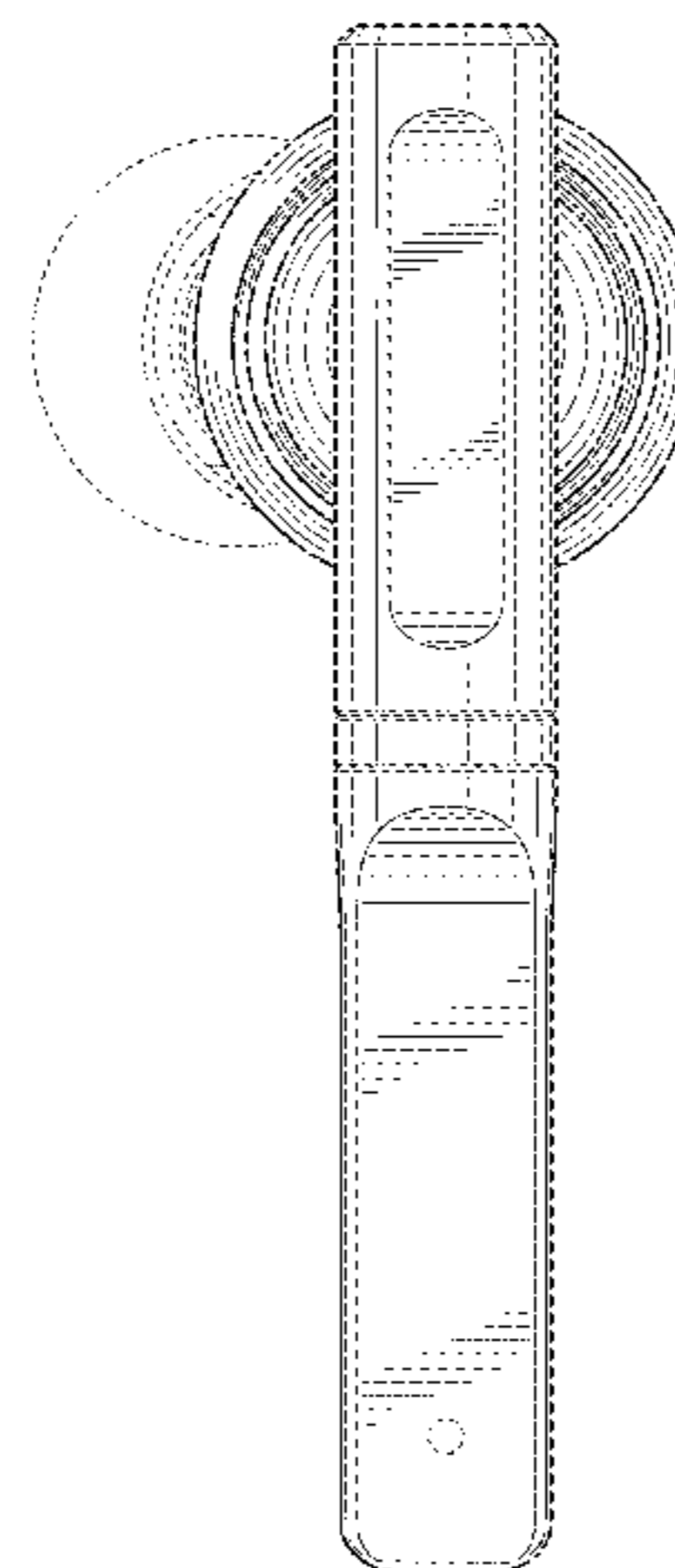
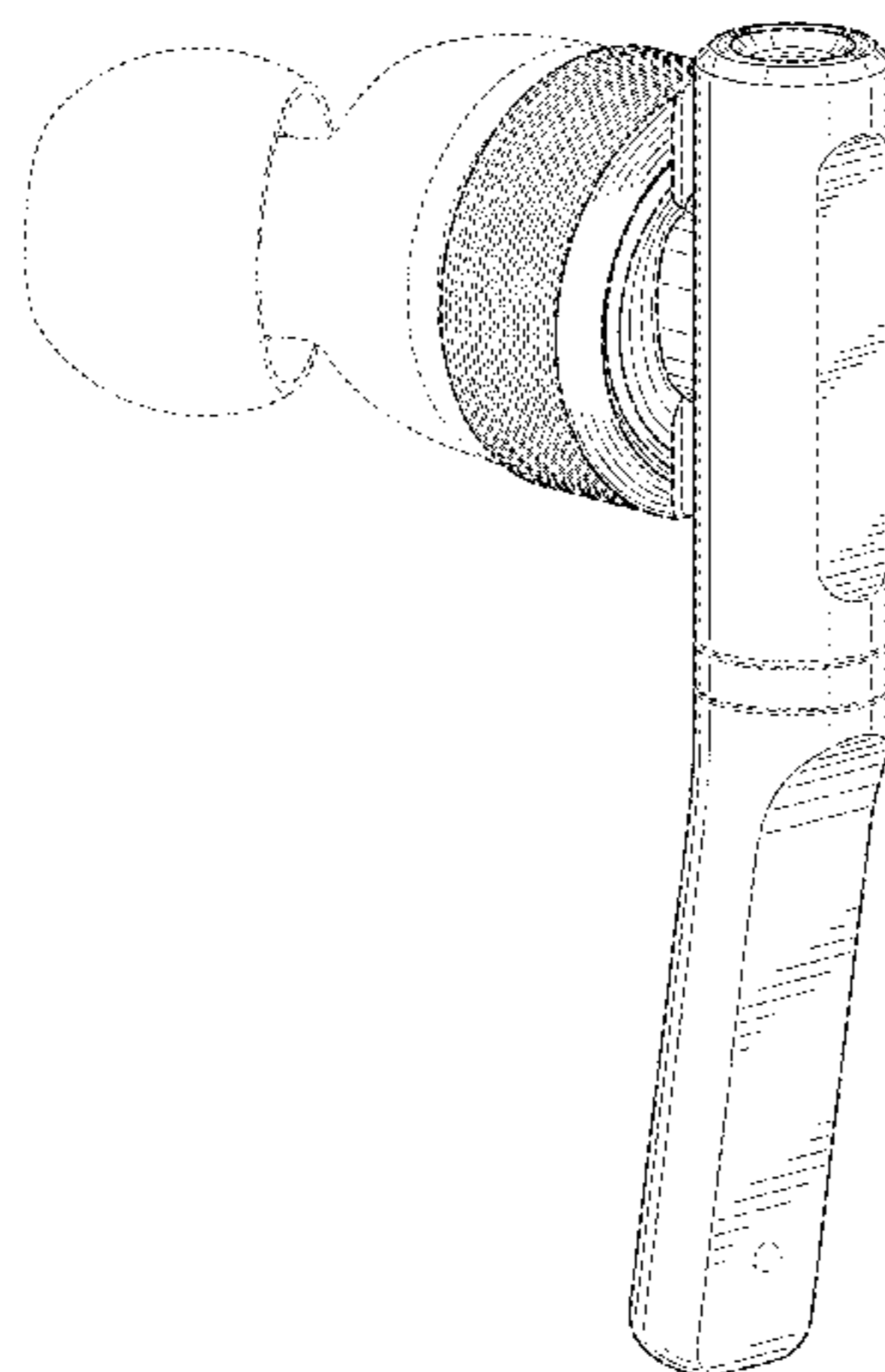
FIG. 5 is a bottom plan view thereof;

FIG. 6 is a right side view thereof; and,

FIG. 7 is a left side view thereof.

The portions of the drawings shown in broken lines are for illustrative purposes only and form no part of the claimed design.

1 Claim, 7 Drawing Sheets



US D762,623 S

Page 2

(56)

References Cited

U.S. PATENT DOCUMENTS

D677,248 S * 3/2013 Yoon D14/223
D689,043 S * 9/2013 Burt D14/223
D697,050 S * 1/2014 Thompson D14/206

D697,267 S * 1/2014 Benvegna' D29/102
8,908,899 B1 * 12/2014 Yang H04R 1/1033
381/370
D736,185 S * 8/2015 Yaegashi D14/223
D739,388 S * 9/2015 Paterson D14/223

* cited by examiner

FIG. 1

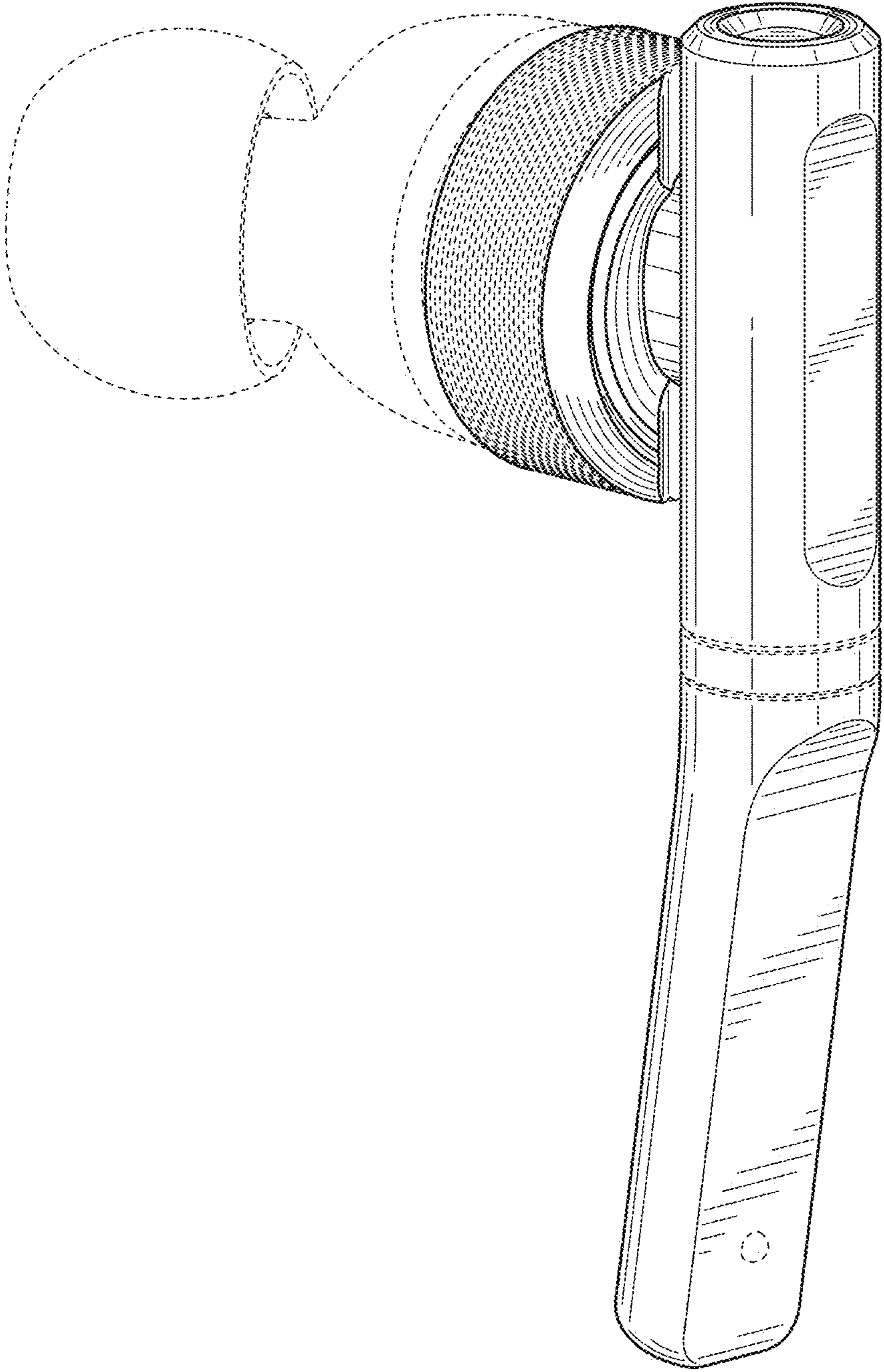


FIG. 2

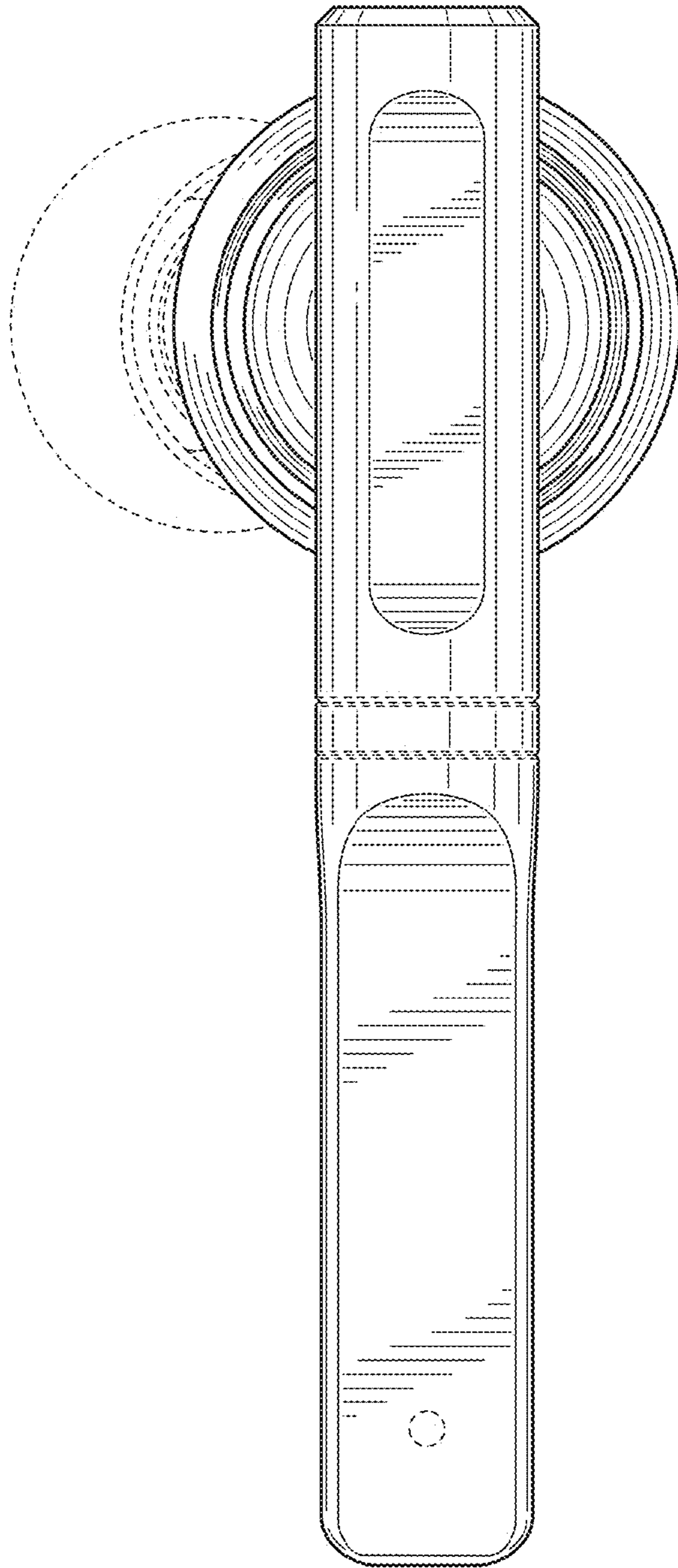


FIG. 3

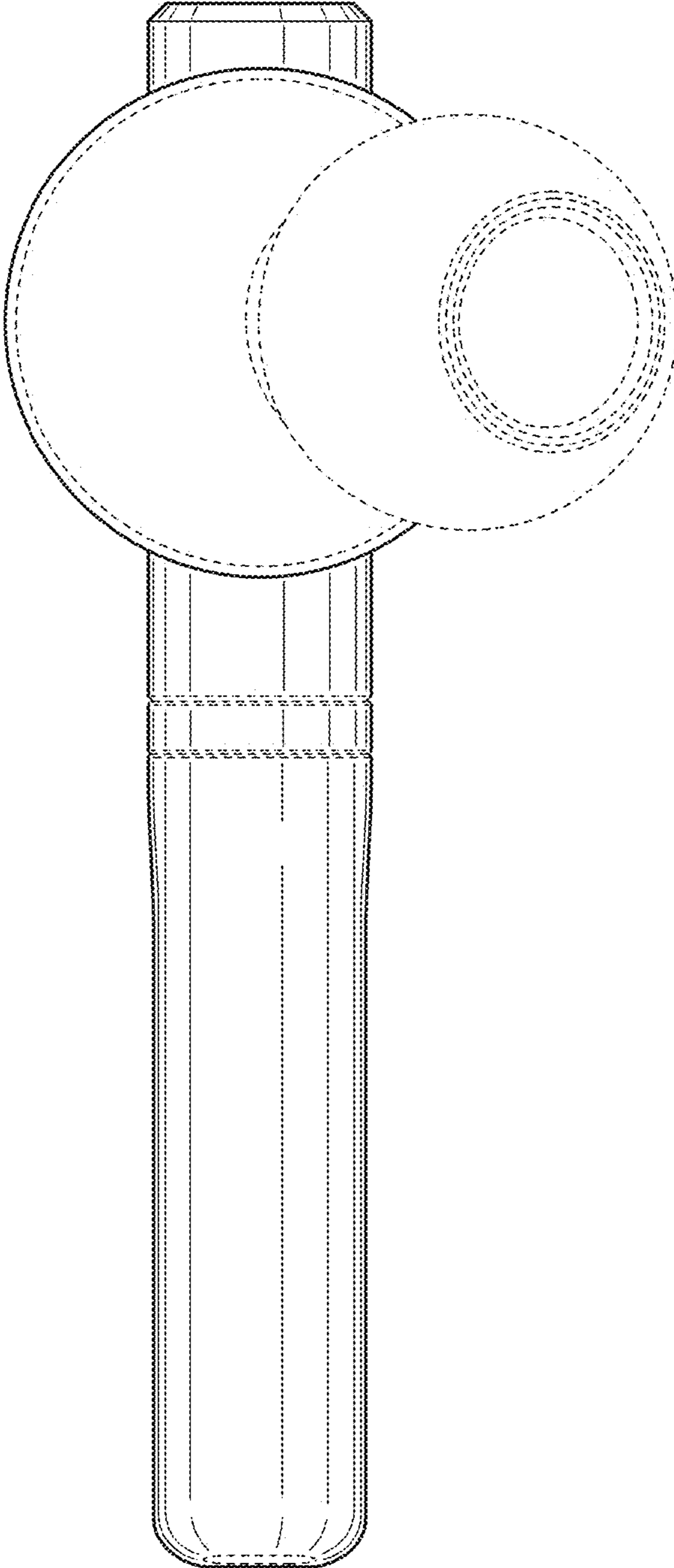


FIG. 4

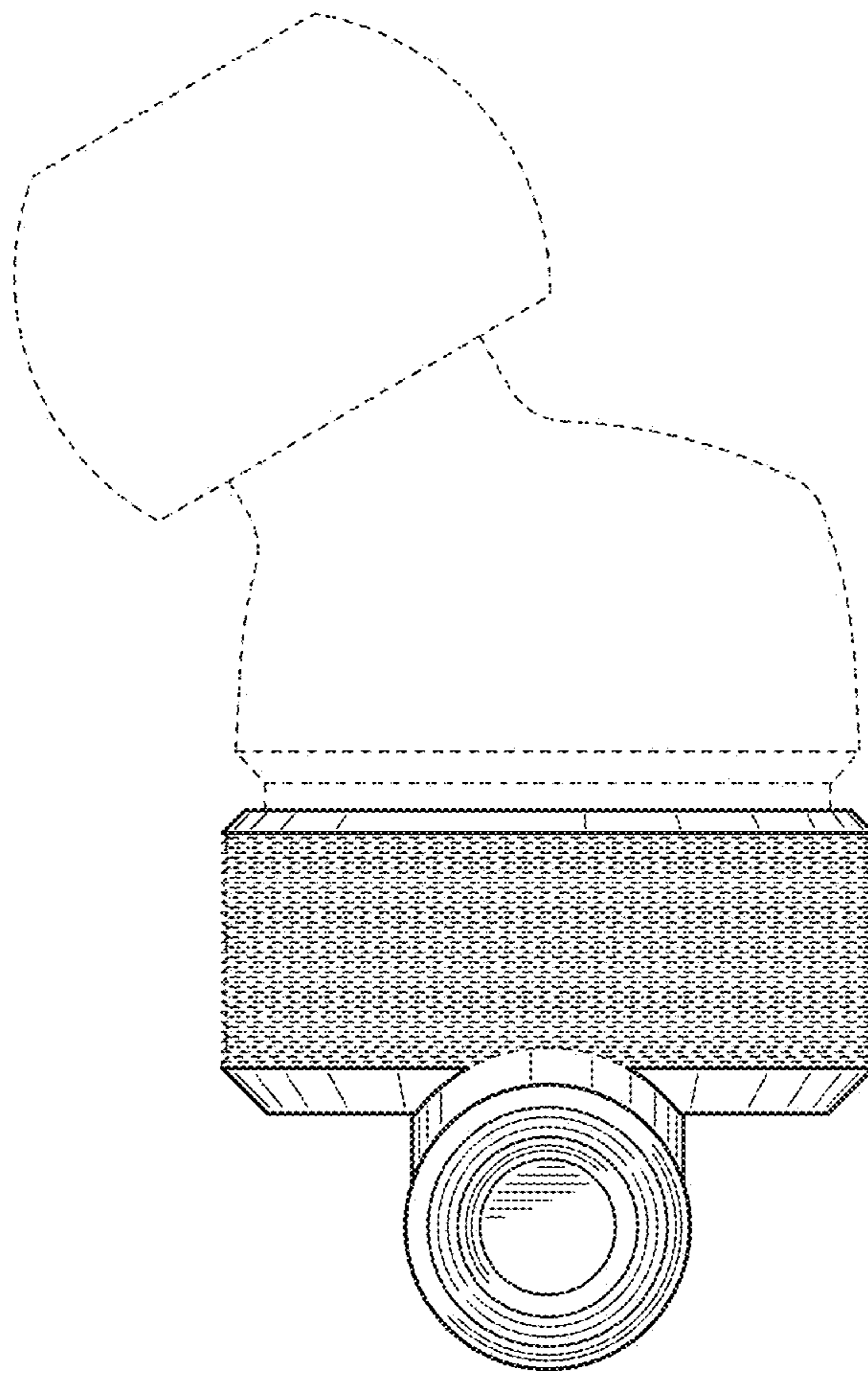


FIG. 5

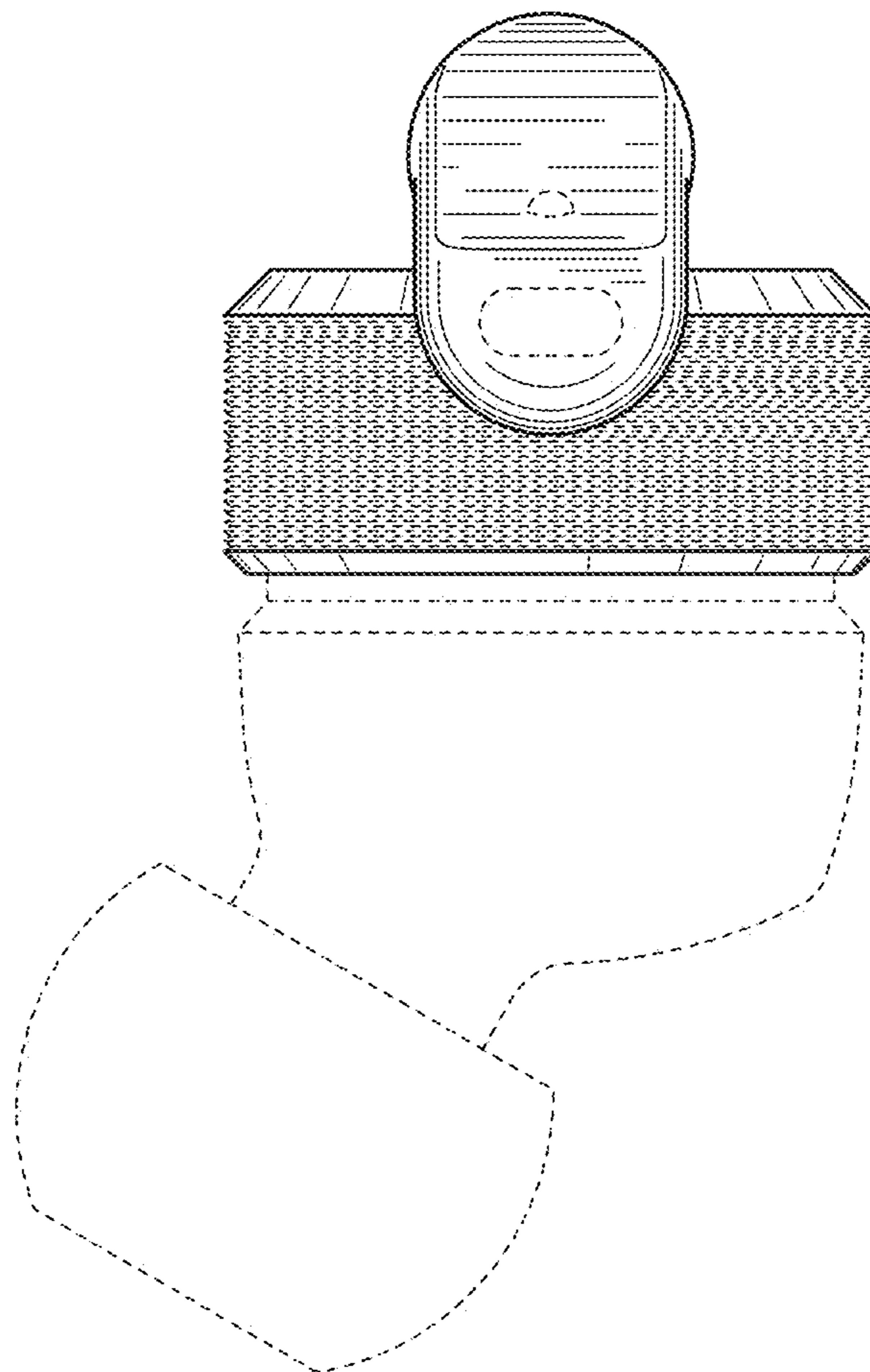


FIG. 6

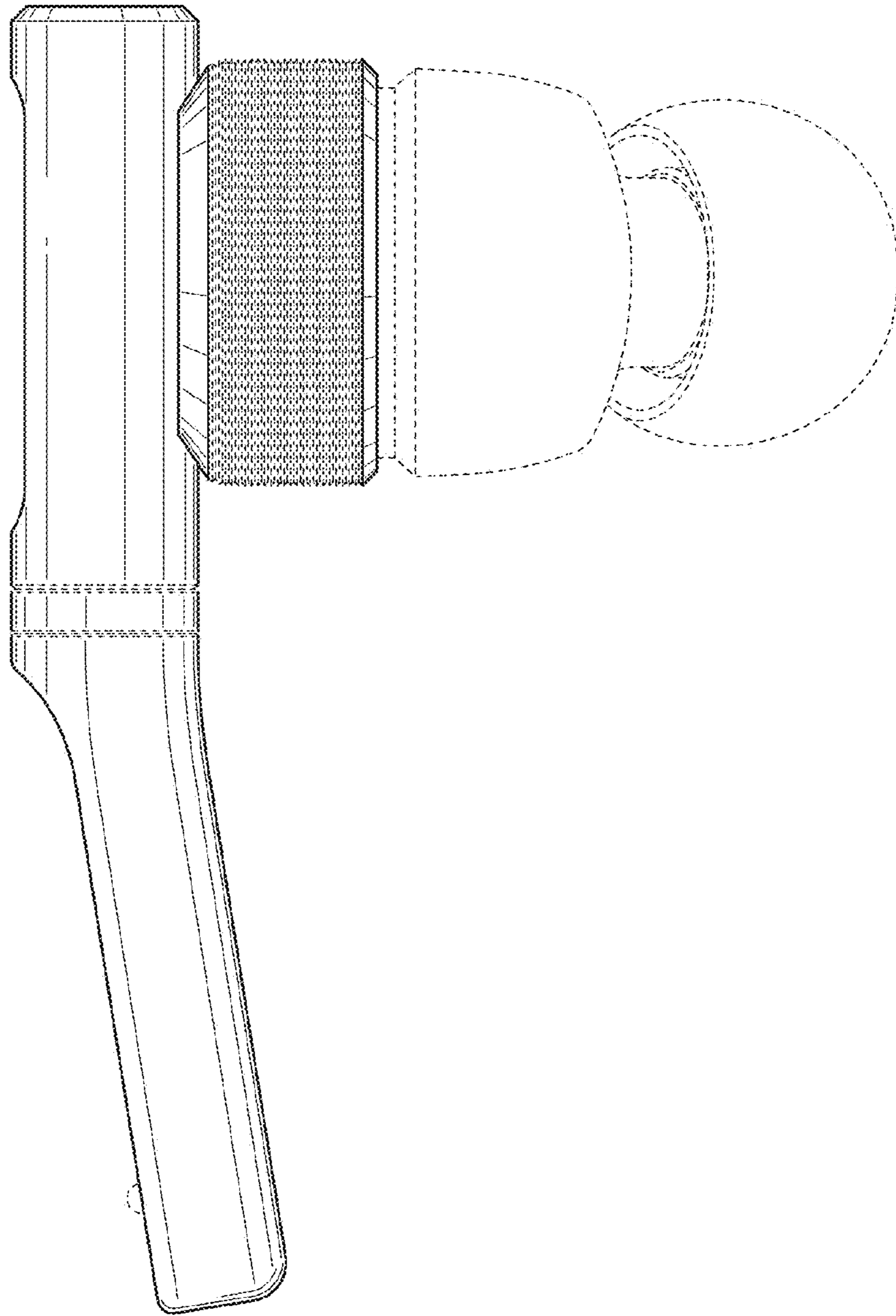


FIG. 7

