

US00D762621S

(12) **United States Design Patent**  
**Bolton**

(10) **Patent No.:** **US D762,621 S**

(45) **Date of Patent:** **\*\* Aug. 2, 2016**

(54) **BLUETOOTH SPEAKER**

H04R 2499/11; H04R 2499/13; H04R  
2499/15; H04S 3/00; H04S 7/30

(71) Applicant: **GIBSON INNOVATIONS BELGIUM  
NV, Leuven (BE)**

See application file for complete search history.

(72) Inventor: **Charlie Bolton, Hong Kong (HK)**

(56) **References Cited**

(73) Assignee: **Gibson Innovations Belgium NV,  
Leuven (BE)**

U.S. PATENT DOCUMENTS

(\*\*) Term: **15 Years**

(21) Appl. No.: **29/528,920**

D501,841 S *	2/2005	Hsu .....	D14/168
D676,418 S *	2/2013	Suzuki .....	D14/209.1
D677,244 S *	3/2013	Funayama .....	D14/209.1
D681,604 S *	5/2013	Funayama .....	D14/209.1
D717,341 S *	11/2014	Akana .....	D14/496
D722,595 S *	2/2015	Mackiewicz .....	D14/216
D726,142 S *	4/2015	Itoh .....	D14/196
D726,155 S *	4/2015	Cheng .....	D14/216
D726,684 S *	4/2015	Schmiedbauer .....	D14/210
D726,686 S *	4/2015	Yoon .....	D14/216
D727,298 S *	4/2015	Chang .....	D14/216
D741,294 S *	10/2015	Zhu .....	D14/214
D748,074 S *	1/2016	Schmiedbauer .....	D14/210

(22) Filed: **Jun. 2, 2015**

(30) **Foreign Application Priority Data**

Dec. 2, 2014 (EM) ..... 002589051

\* cited by examiner

(51) **LOC (10) Cl.** ..... **14-03**

*Primary Examiner* — Keli L Hill

(52) **U.S. Cl.**  
USPC ..... **D14/216**

(74) *Attorney, Agent, or Firm* — Bates & Bates, LLC

(58) **Field of Classification Search**

(57) **CLAIM**

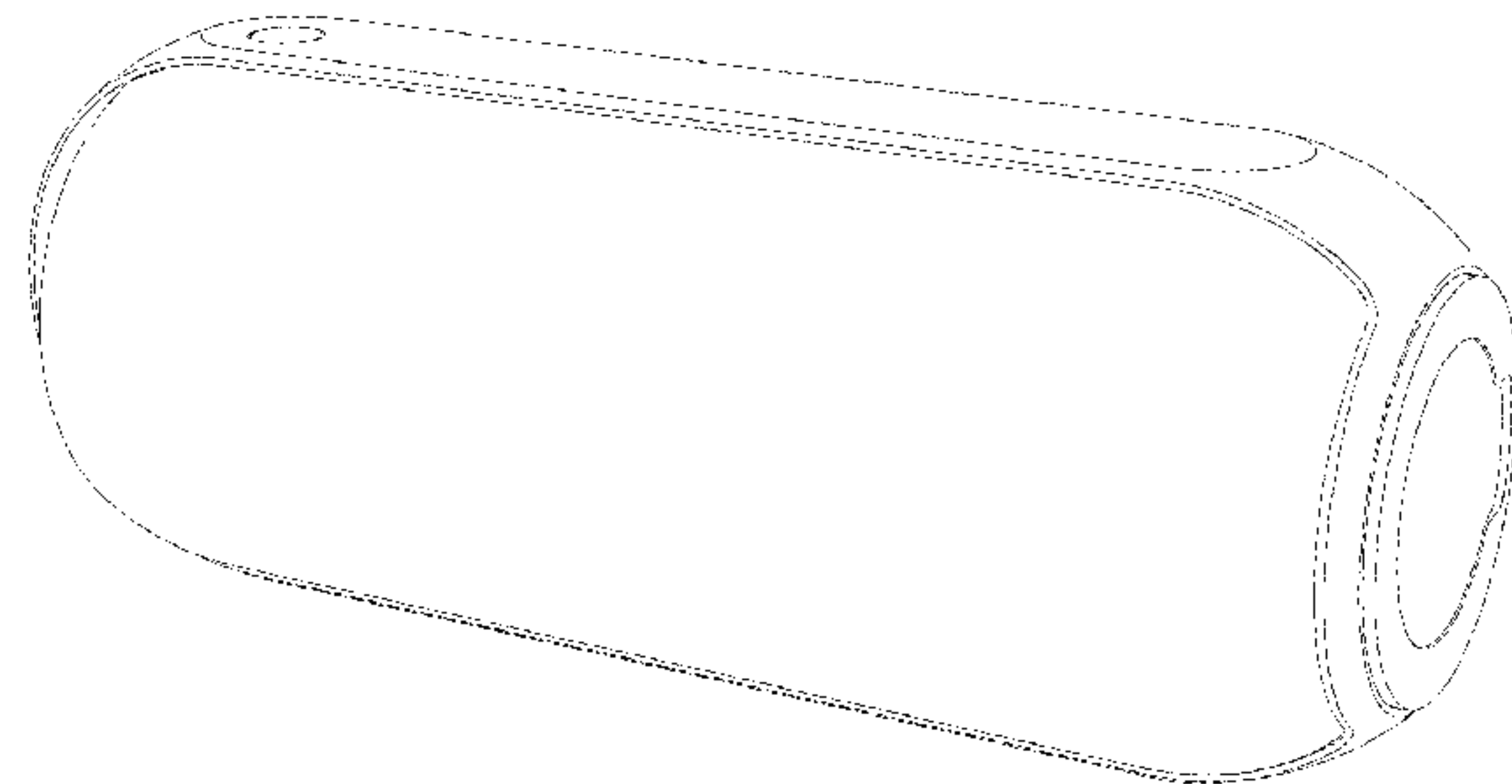
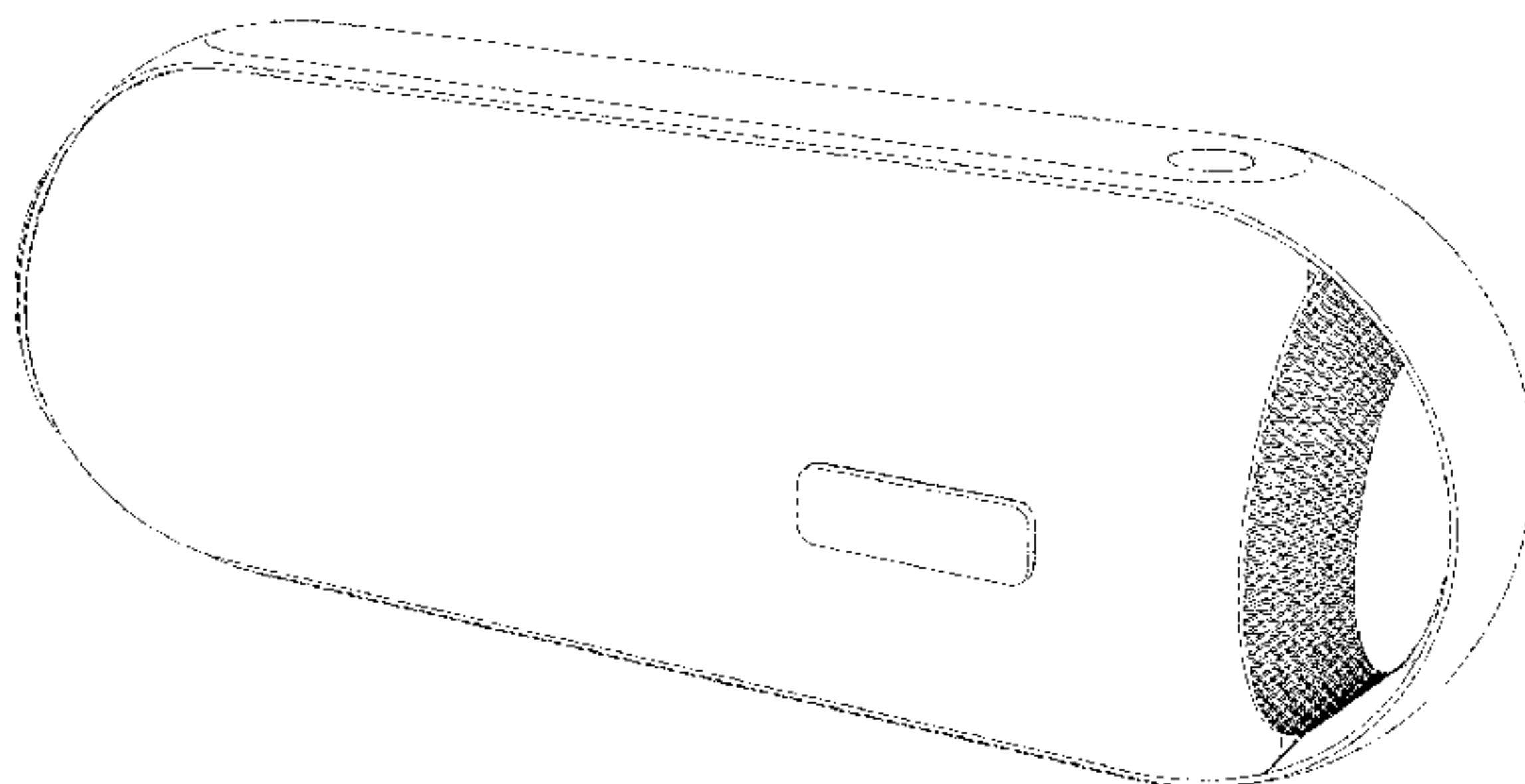
USPC ..... D14/167, 168, 170–172, 188, 194–196,  
D14/204, 207, 209.1, 210–216, 219, 221,  
D14/222, 224, 239, 496; 181/143, 144, 147,  
181/148, 150, 153, 157, 198, 199;  
381/300–303, 306, 332, 333, 336, 345,  
381/361–364, 386–388; 369/6–12  
CPC .... B60R 11/0217; G06F 1/1688; G10K 9/22;  
G10K 11/004; H03F 1/327; H04M 1/03;  
H04M 1/035; H04N 5/642; H04N 21/4852;  
H04R 1/02; H04R 1/06; H04R 1/021; H04R  
1/025; H04R 1/026; H04R 1/028; H04R  
1/105; H04R 1/323; H04R 1/403; H04R  
1/2803; H04R 1/2834; H04R 5/02; H04R  
7/20; H04R 9/06; H04R 9/025; H04R  
2201/021; H04R 2400/00; H04R 2400/07;

What is claimed is the ornamental design for a bluetooth speaker, as shown and described.

**DESCRIPTION**

FIG. 1 is a front perspective view of the bluetooth speaker;  
FIG. 2 is a back perspective view of the bluetooth speaker;  
FIG. 3 is a right side view of the bluetooth speaker;  
FIG. 4 is a left side view of the bluetooth speaker;  
FIG. 5 is a front view of the bluetooth speaker;  
FIG. 6 is a back view of the bluetooth speaker;  
FIG. 7 is a top view of the bluetooth speaker; and,  
FIG. 8 is a bottom view of the bluetooth speaker.

**1 Claim, 4 Drawing Sheets**



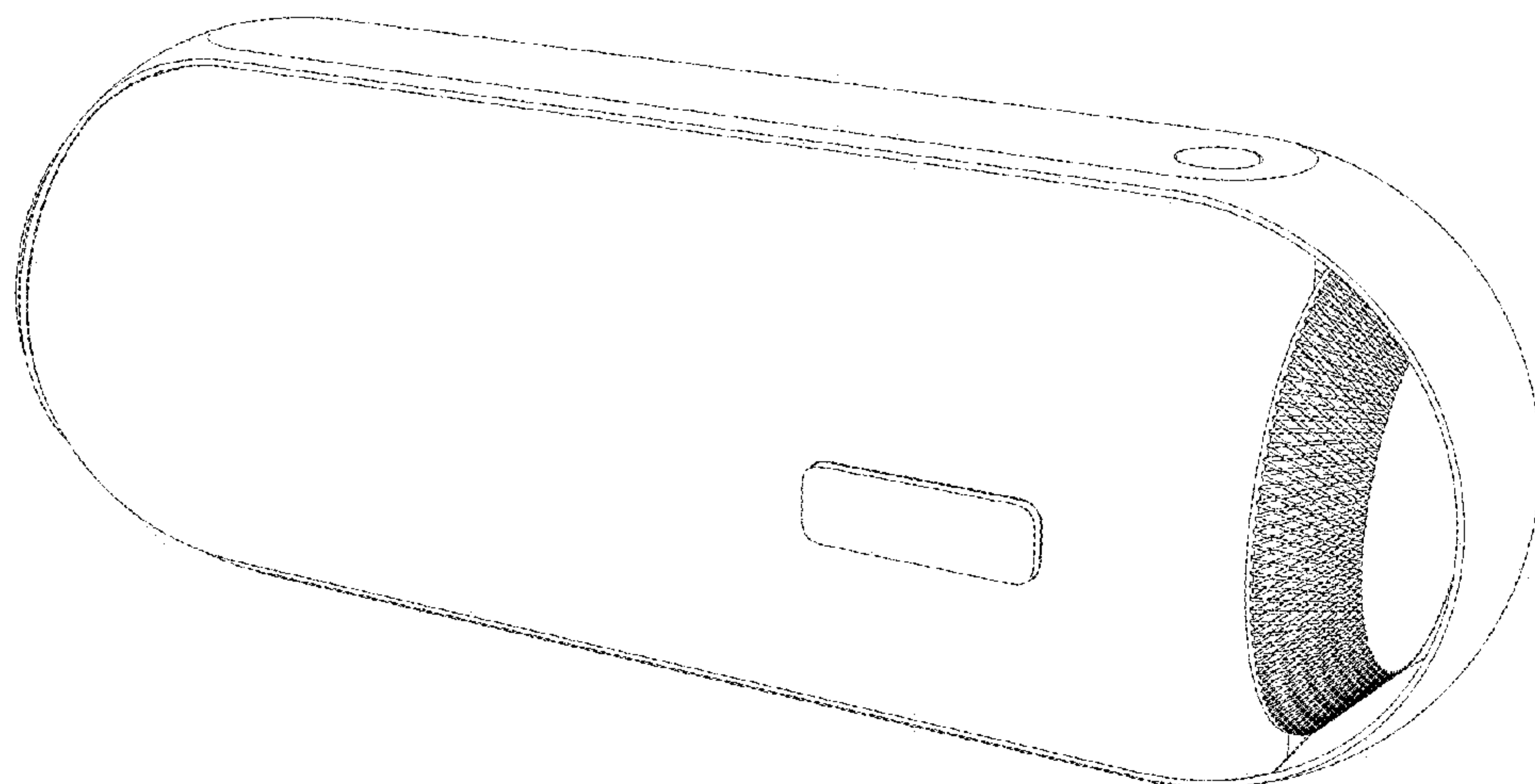


FIG. 1

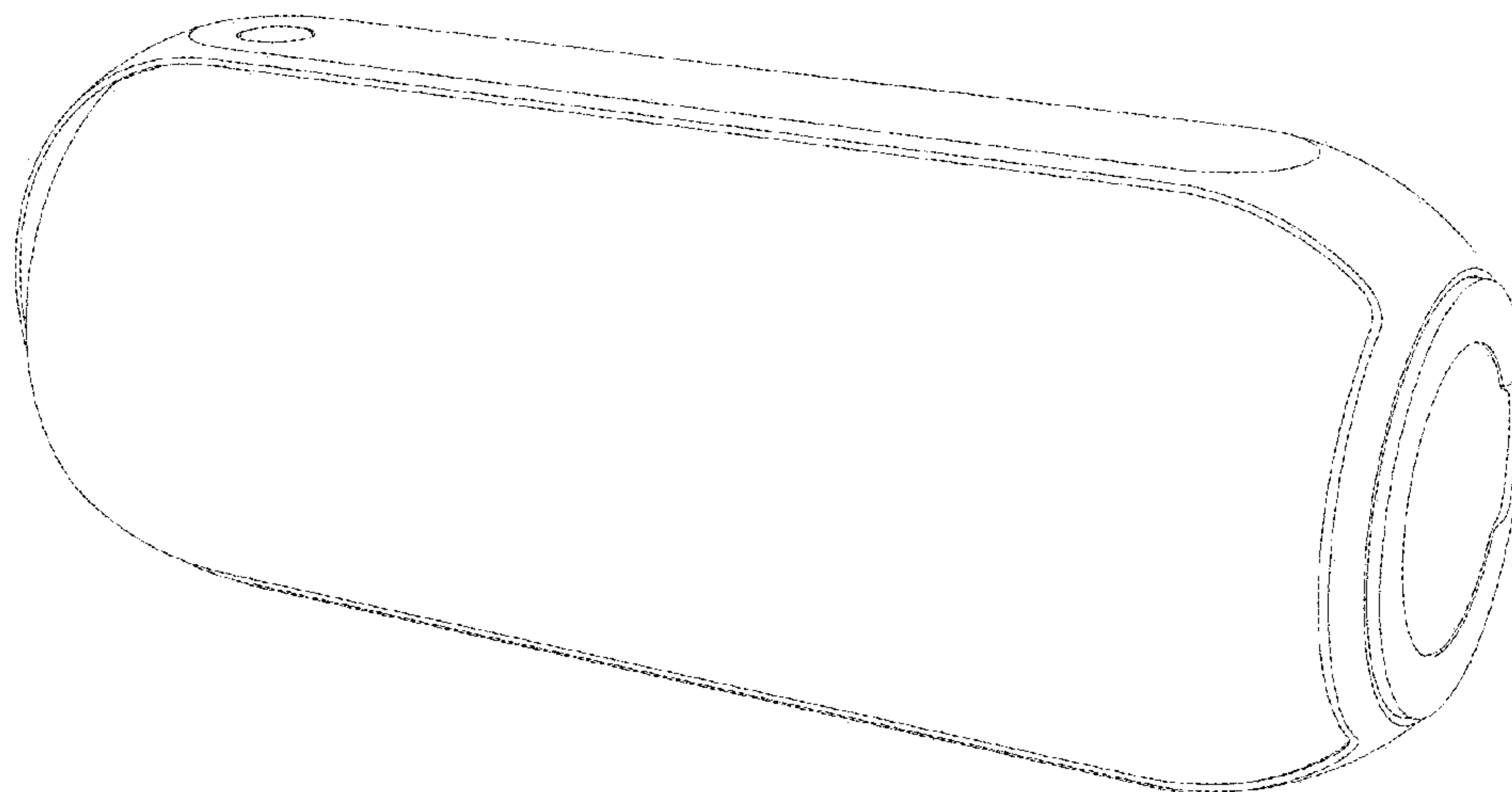


FIG. 2

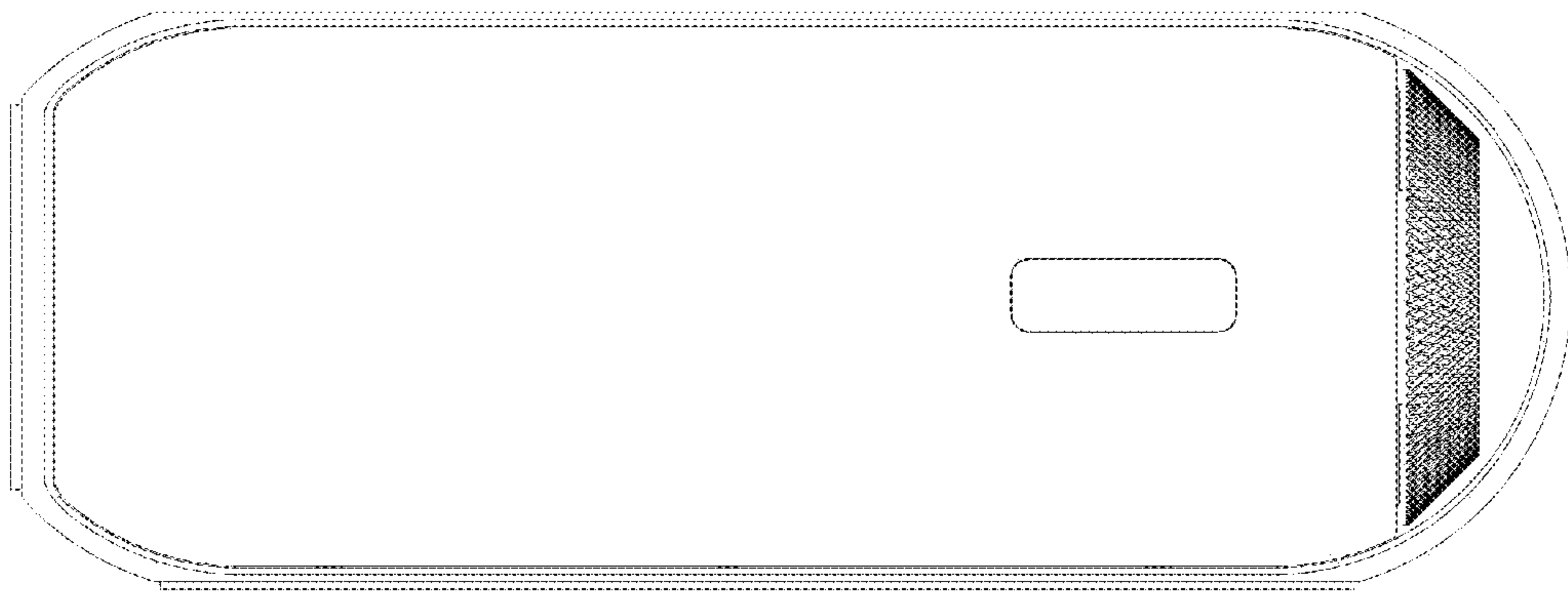


FIG. 3

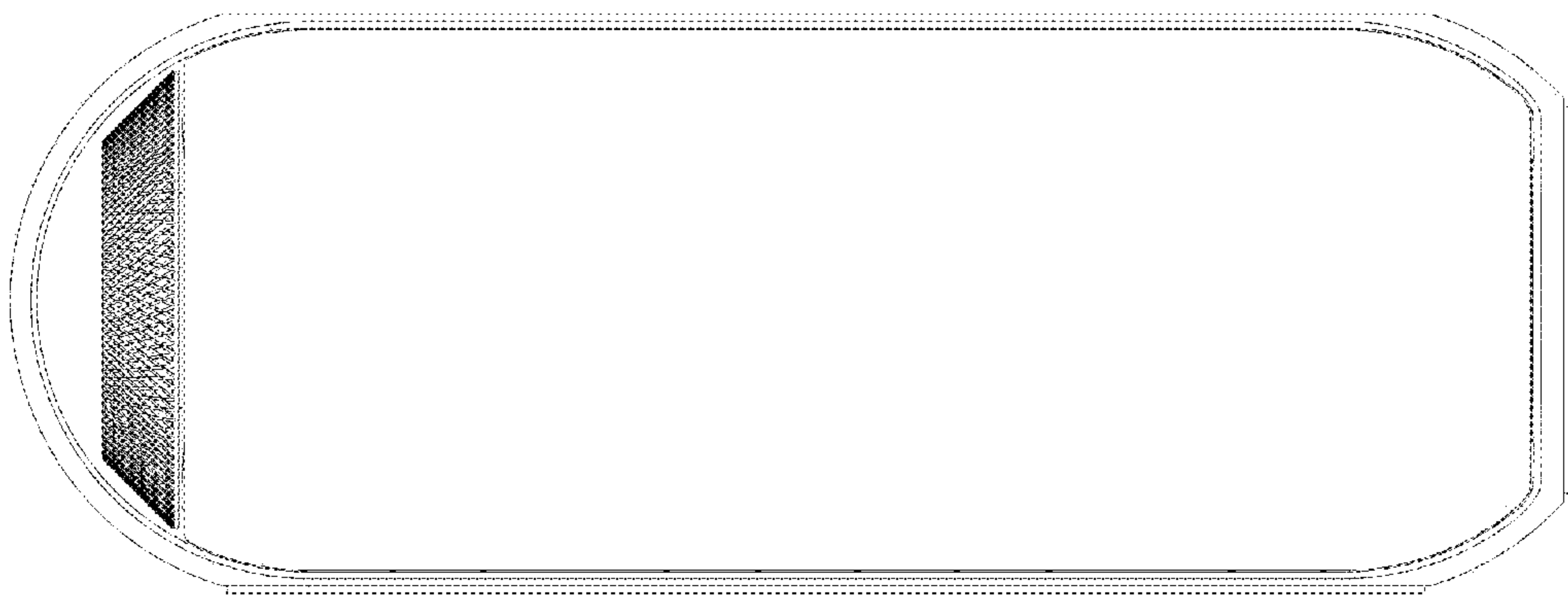


FIG. 4

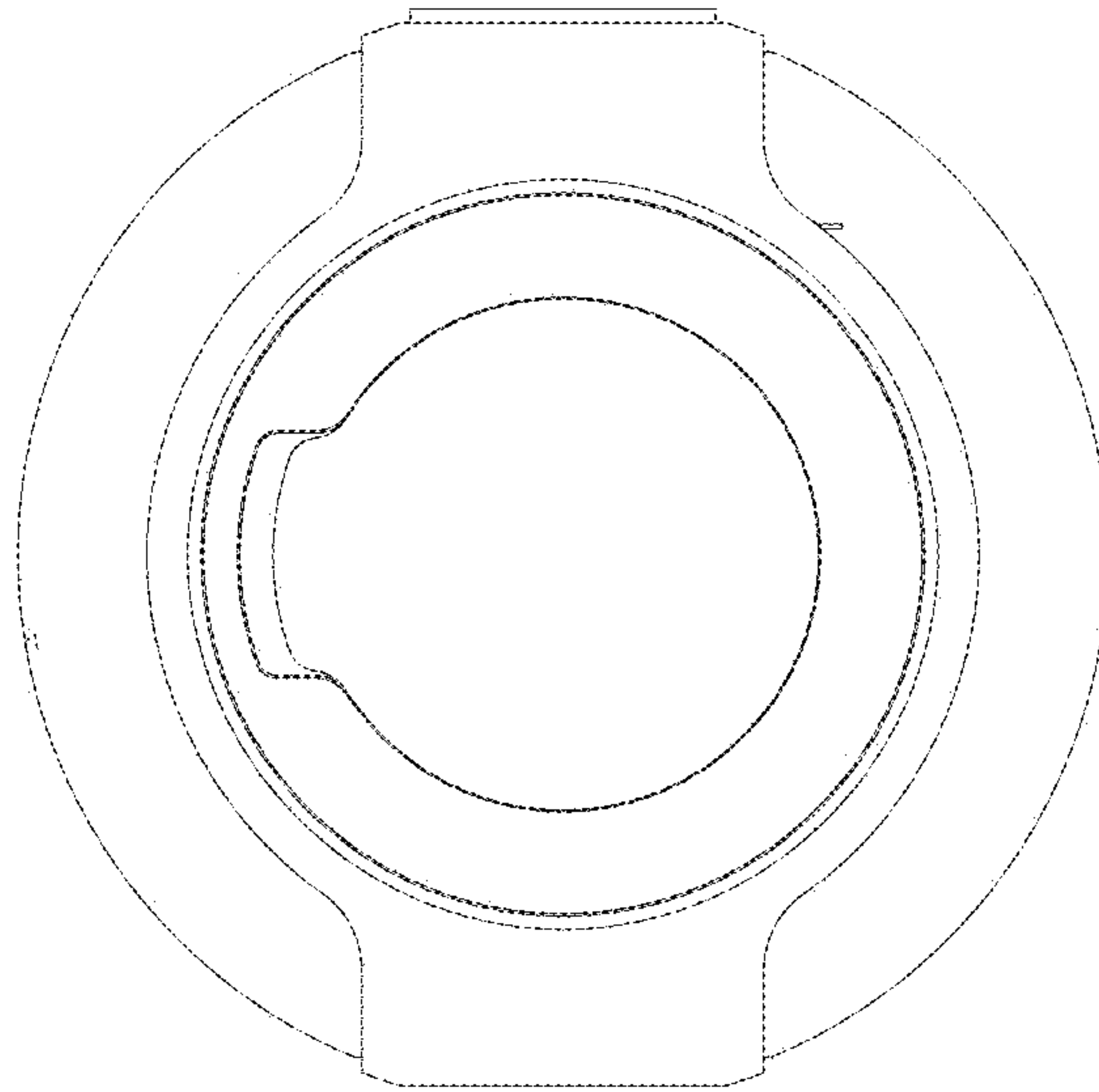


FIG. 5

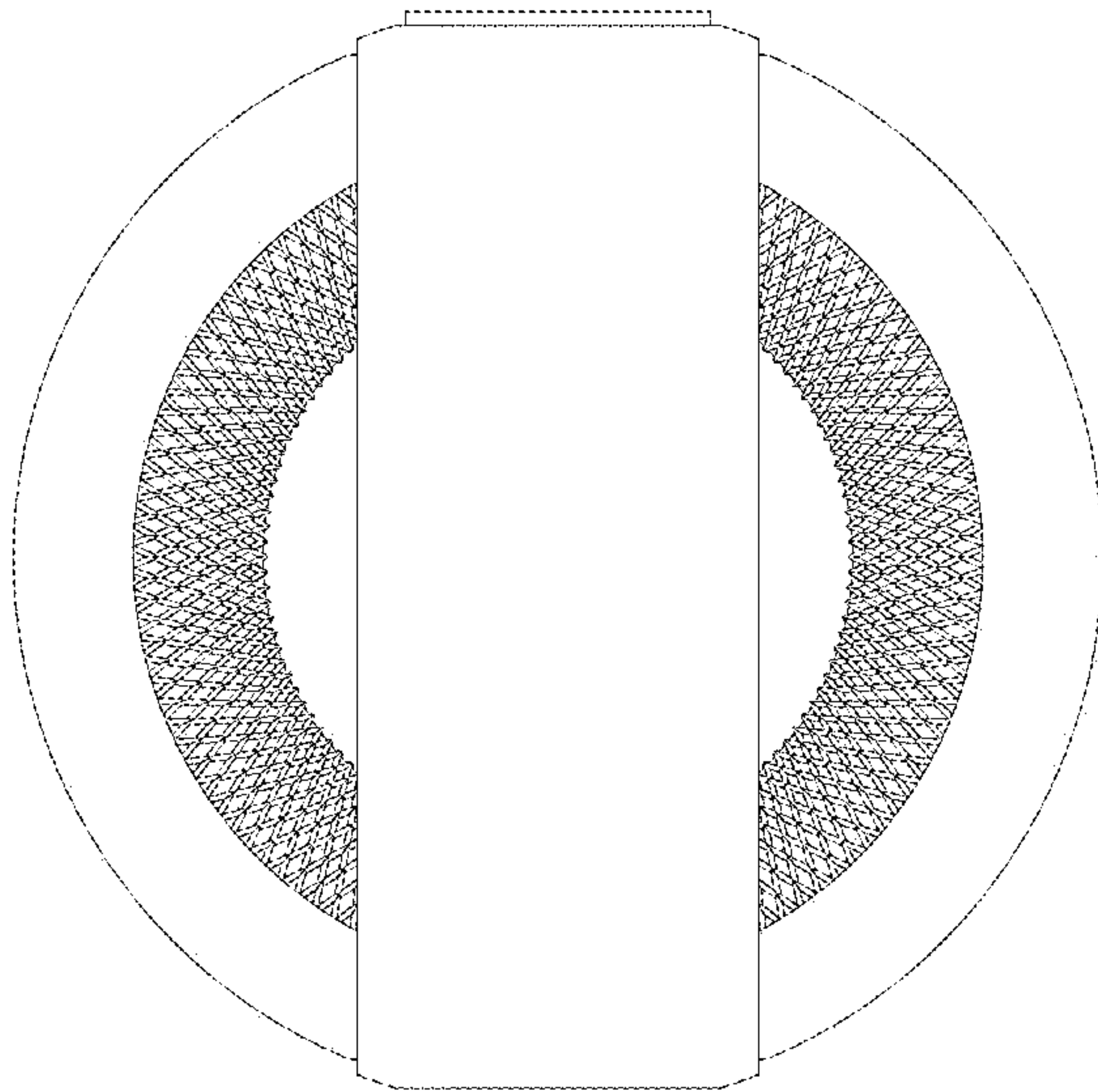


FIG. 6

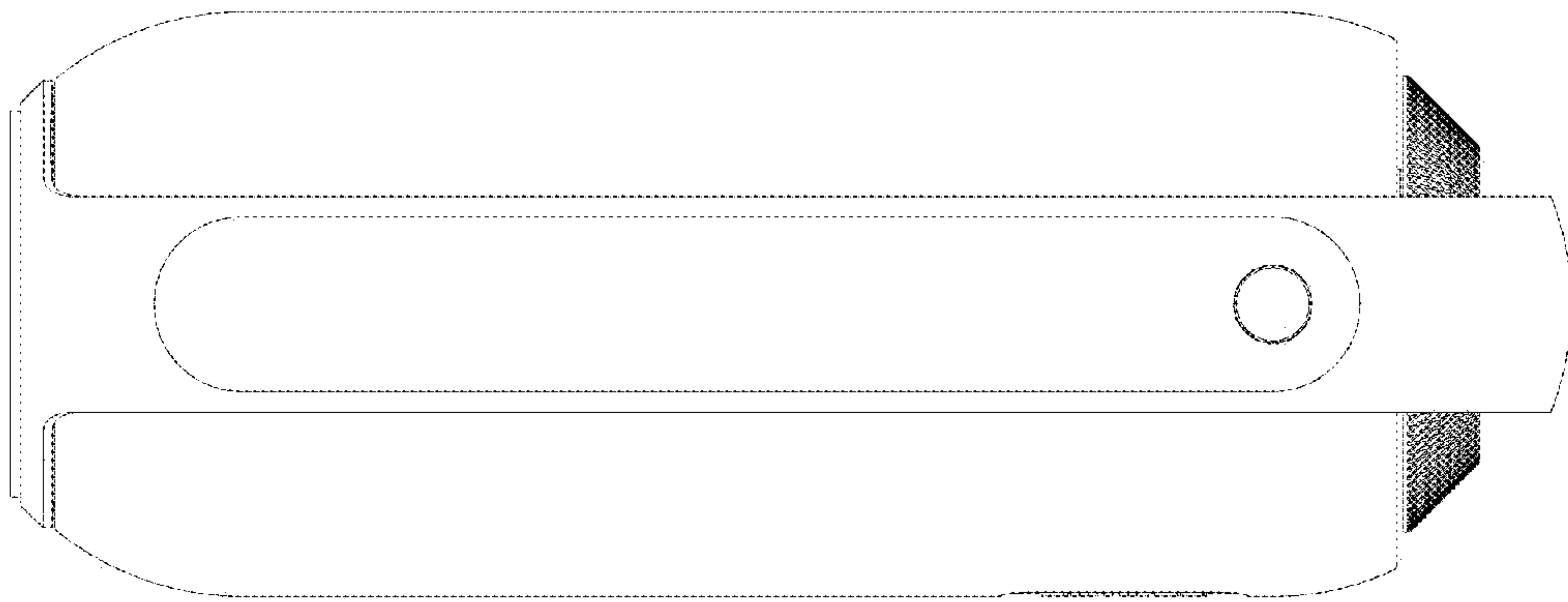


FIG. 7



FIG. 8