



US00D762620S

(12) **United States Design Patent**
Kim et al.

(10) **Patent No.:** **US D762,620 S**

(45) **Date of Patent:** **** Aug. 2, 2016**

(54) **SPEAKER WITH SUPPLEMENTARY BATTERY**

H04R 2499/11; H04R 2499/13; H04R 2499/15; H04S 3/00; H04S 7/30

See application file for complete search history.

(71) Applicant: **LG ELECTRONICS INC.**, Seoul (KR)

(56) **References Cited**

(72) Inventors: **Sungwoo Kim**, Seoul (KR); **Jonghak Lee**, Seoul (KR); **Seunghyun Ji**, Seoul (KR)

U.S. PATENT DOCUMENTS

(73) Assignee: **LG ELECTRONICS INC.**, Seoul (KR)

(**) Term: **15 Years**

D515,068	S	*	2/2006	White	D14/188
D577,020	S	*	9/2008	Park	D14/363
D582,385	S	*	12/2008	Sanguinetti	D14/126
D586,777	S	*	2/2009	Joseph	D10/2
D596,618	S	*	7/2009	Zha	D14/203.8
D613,725	S	*	4/2010	Chen	D14/194
D615,087	S	*	5/2010	Morabito	D14/346
D684,194	S	*	6/2013	Chong	D14/502
D743,886	S	*	11/2015	Nomi	D13/108
D750,044	S	*	2/2016	Nam	D14/214
D754,092	S	*	4/2016	Mackiewicz	D14/172
D754,103	S	*	4/2016	Fischer	D14/214

(21) Appl. No.: **29/534,866**

(22) Filed: **Jul. 31, 2015**

(30) **Foreign Application Priority Data**

Feb. 2, 2015 (KR) 30-2015-0005725

* cited by examiner

(51) **LOC (10) Cl.** **14-03**

Primary Examiner — Keli L Hill

(52) **U.S. Cl.**
USPC **D14/214**

(74) *Attorney, Agent, or Firm* — Birch, Stewart, Kolasch & Birch, LLP

(58) **Field of Classification Search**
USPC D14/167, 168, 170–172, 188, 194–196, D14/204, 207, 209.1, 210–216, 219, 221, D14/222, 224, 239, 496; 181/143, 144, 147, 181/148, 150, 153, 157, 198, 199; 381/300–303, 306, 332, 333, 336, 345, 381/361–364, 386–388; 369/6–12; D13/103

(57) **CLAIM**

The ornamental design for a speaker with supplementary battery, as shown and described.

CPC B60R 11/0217; G06F 1/1688; G10K 9/22; G10K 11/004; H03F 1/327; H04M 1/03; H04M 1/035; H04N 5/642; H04N 21/4852; H04R 1/02; H04R 1/06; H04R 1/021; H04R 1/025; H04R 1/026; H04R 1/028; H04R 1/105; H04R 1/323; H04R 1/403; H04R 1/2803; H04R 1/2834; H04R 5/02; H04R 7/20; H04R 9/06; H04R 9/025; H04R 2201/021; H04R 2400/00; H04R 2400/07;

DESCRIPTION

FIG. 1 is a perspective view of a speaker with supplementary battery showing our new design; FIG. 2 is a front view thereof; FIG. 3 is a rear view thereof; FIG. 4 is a left side view thereof; FIG. 5 is a right side view thereof; FIG. 6 is a top plan view thereof; and, FIG. 7 is a bottom plan view thereof. The broken lines depict portions of the speaker with supplementary battery that form no part of the claimed design.

1 Claim, 5 Drawing Sheets

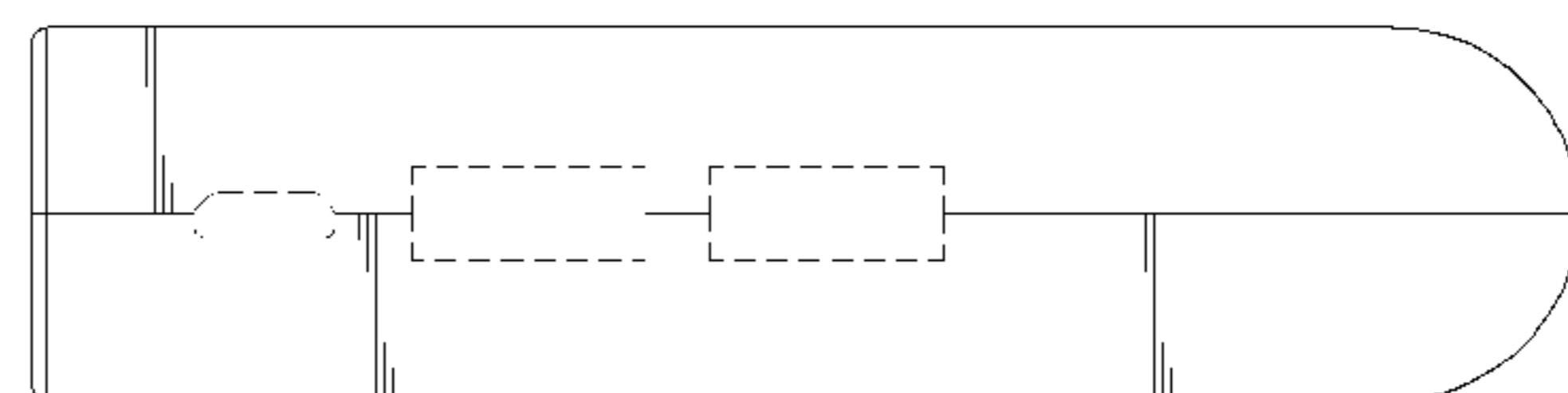
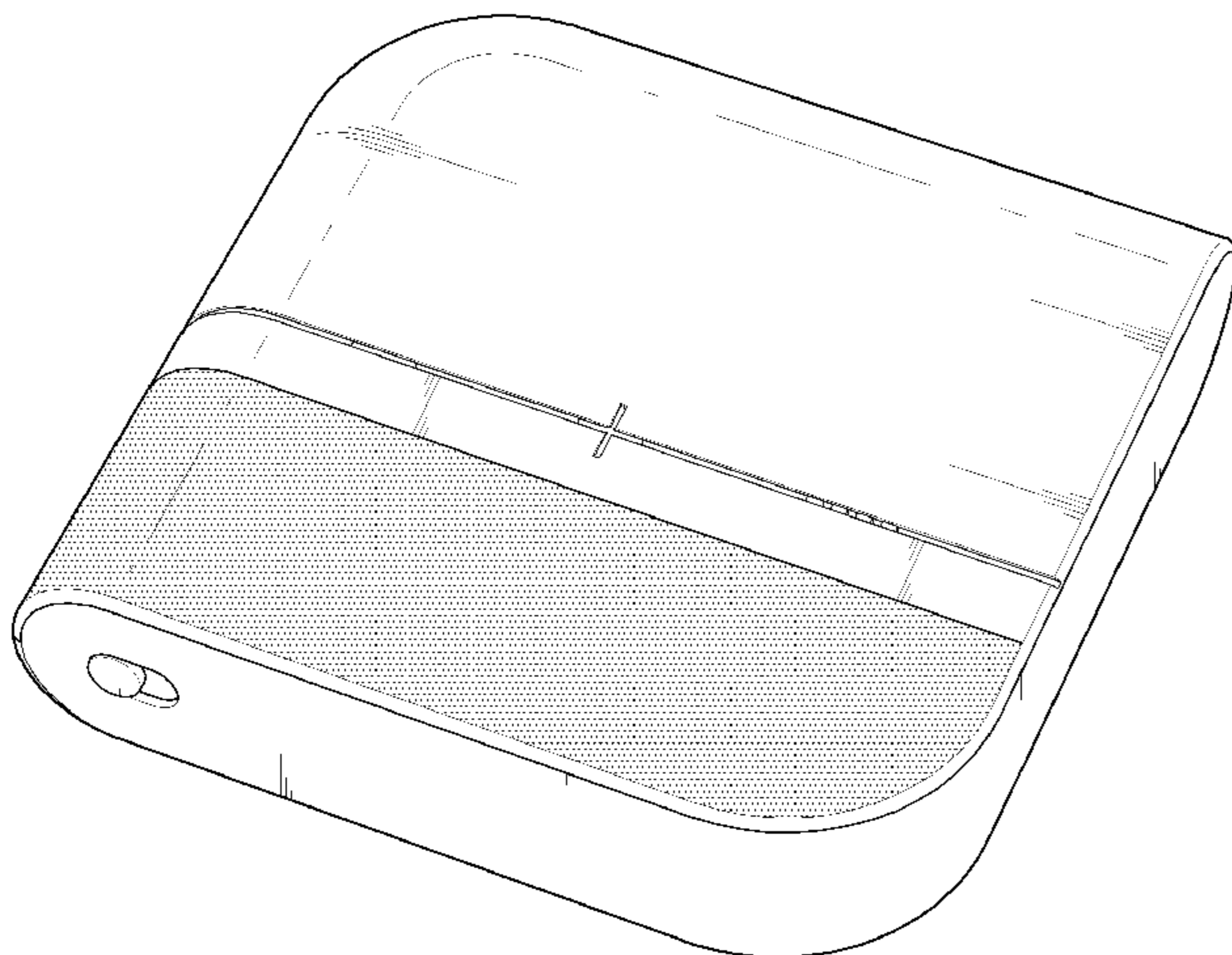


FIG. 1

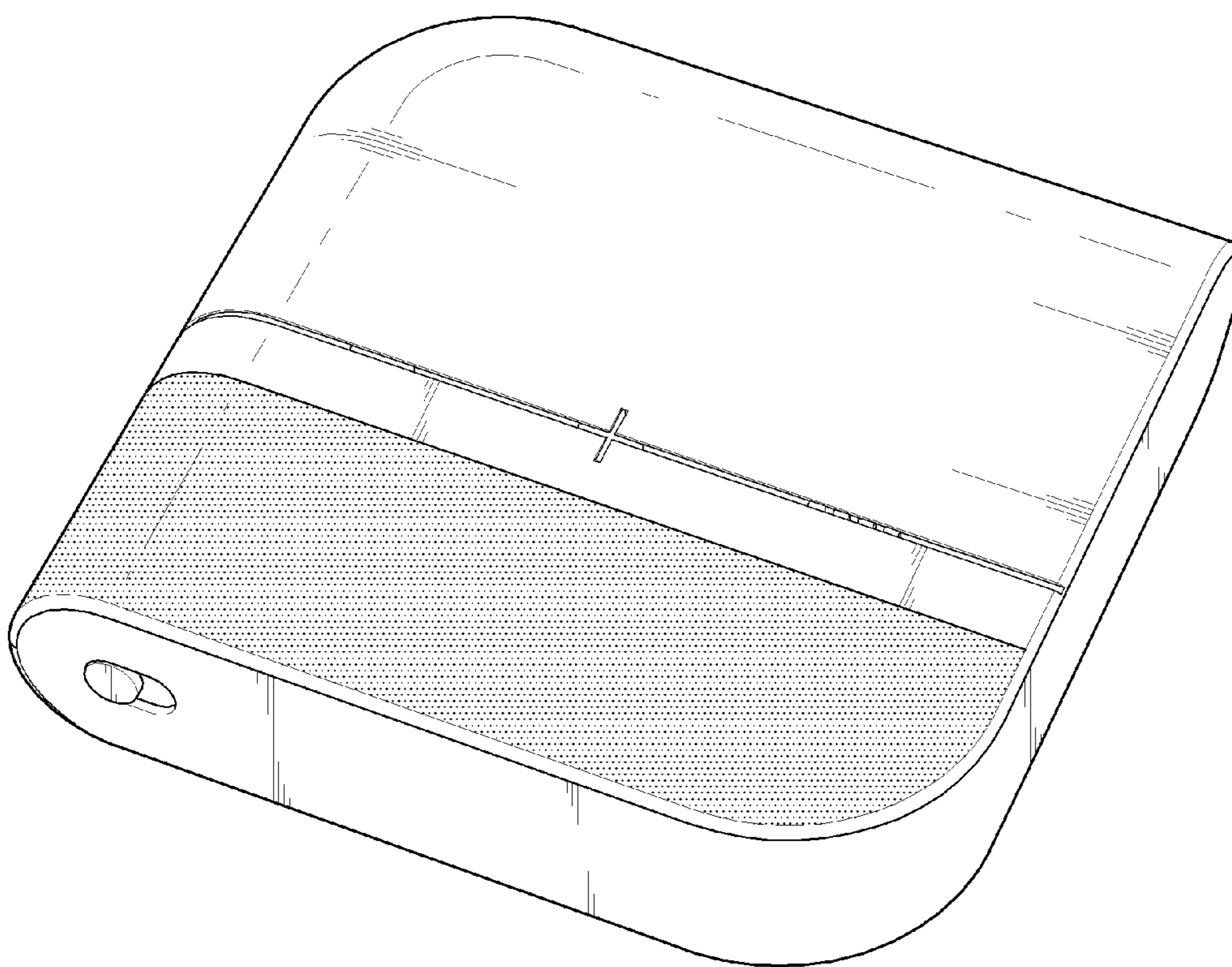


FIG. 2

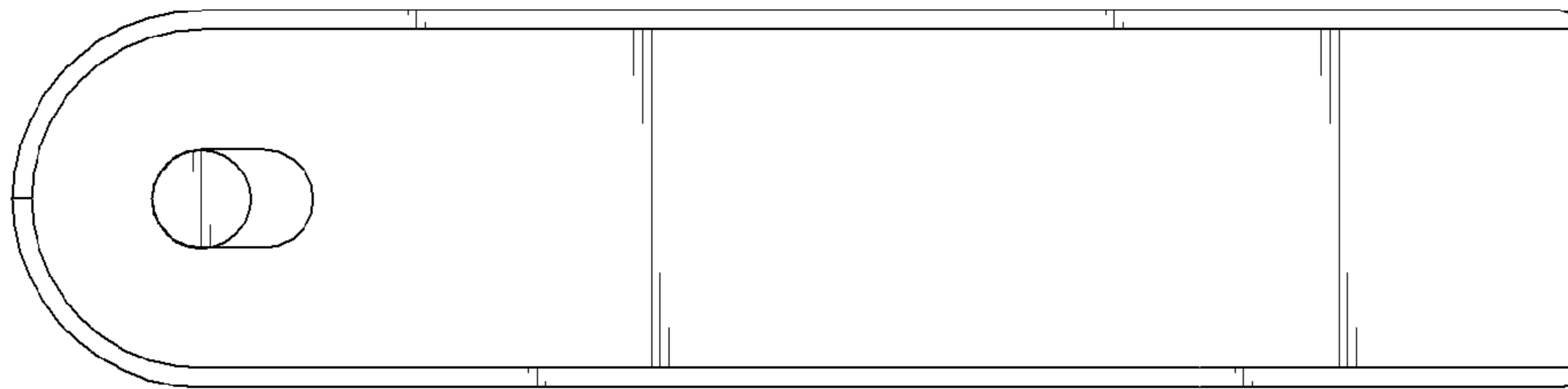


FIG. 3

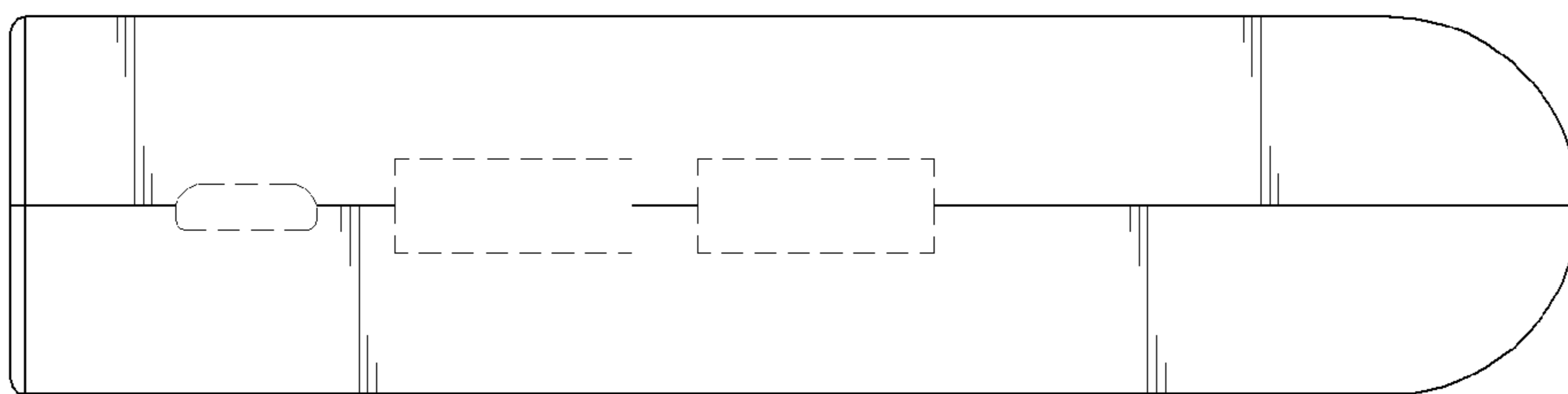


FIG. 4

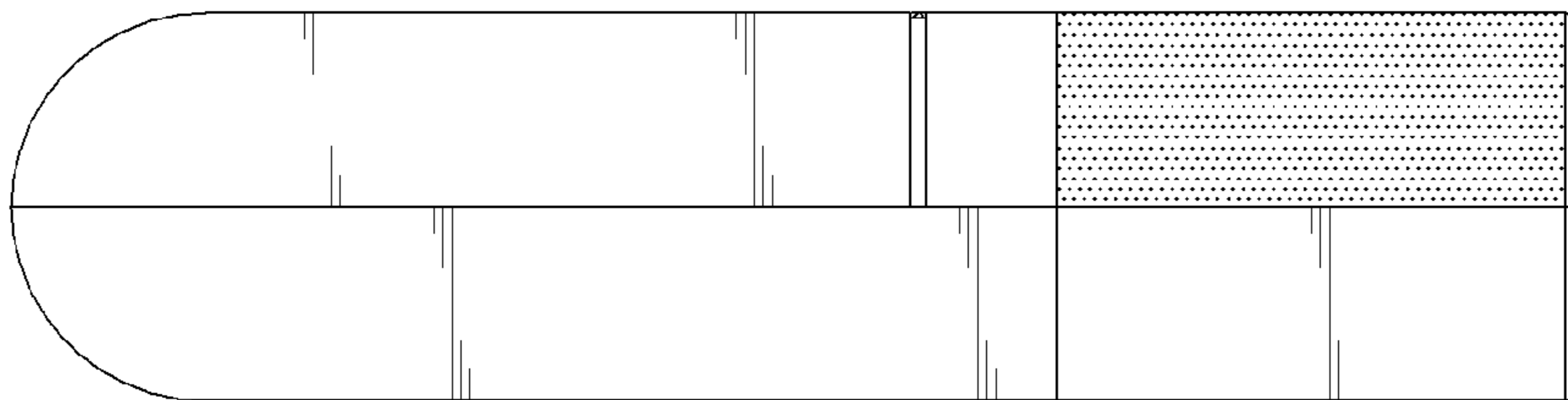


FIG. 5

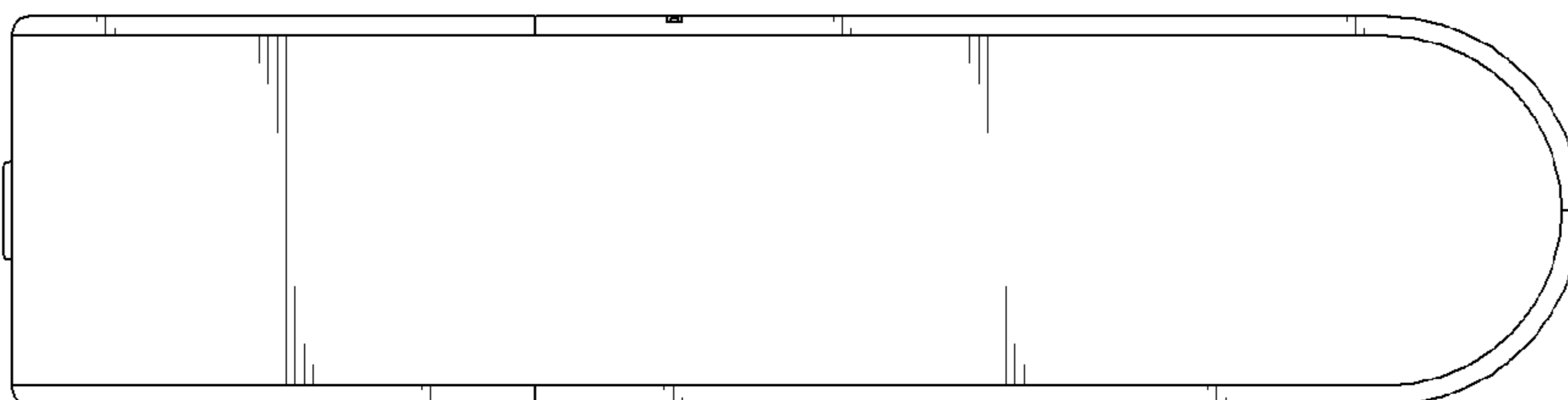


FIG. 6

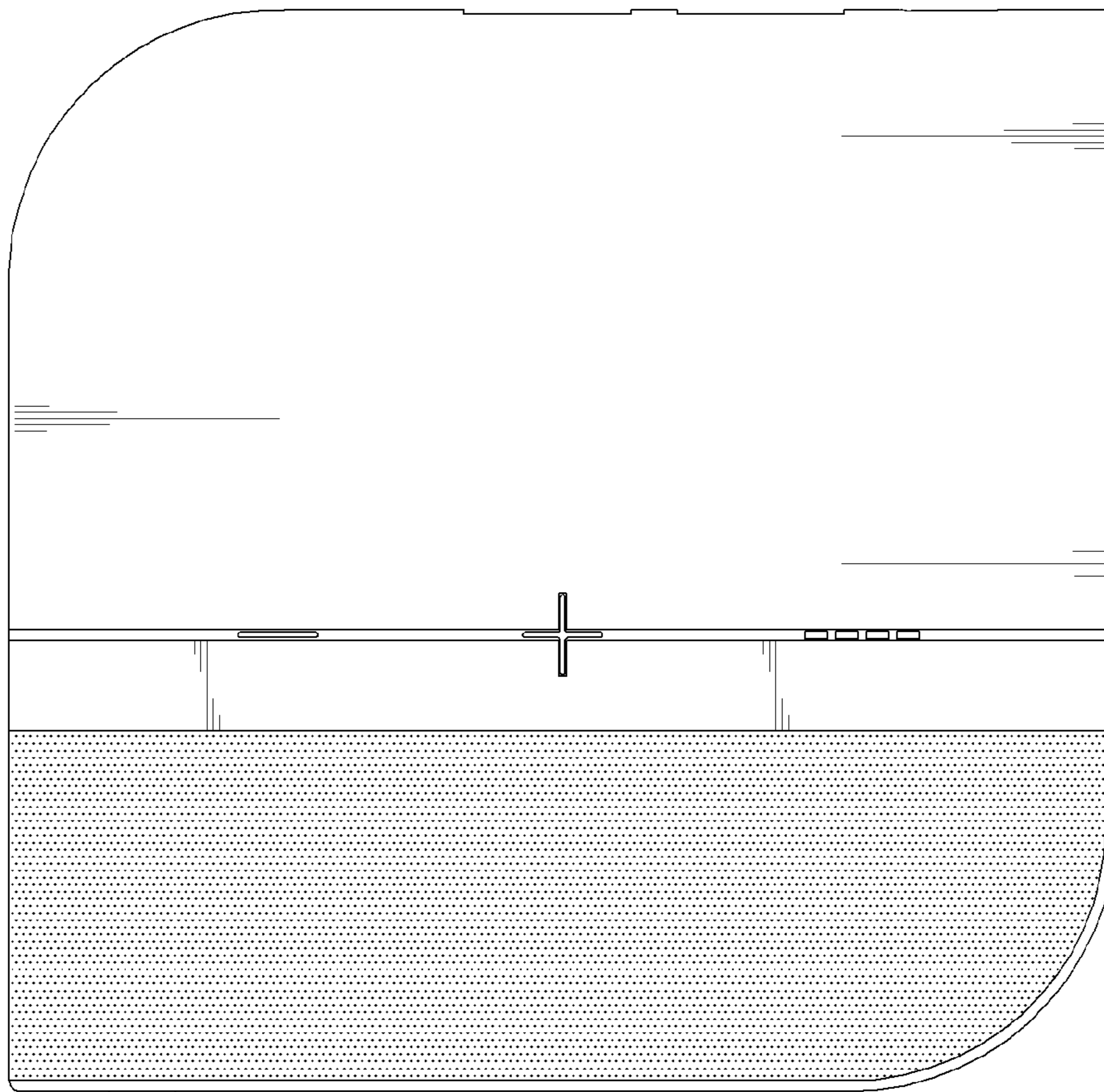


FIG. 7

