



US00D762618S

(12) **United States Design Patent**  
**Lawrence et al.**

(10) **Patent No.:** **US D762,618 S**  
(45) **Date of Patent:** **\*\* Aug. 2, 2016**

(54) **LOUDSPEAKER**

(71) Applicant: **Martin Audio Ltd.**, High Wycombe (GB)

(72) Inventors: **Peter Lawrence**, High Wycombe (GB);  
**Philip Anthony**, High Wycombe (GB)

(73) Assignee: **Martin Audio LTD.** (GB)

(\*\*) Term: **14 Years**

(21) Appl. No.: **29/467,913**

(22) Filed: **Sep. 25, 2013**

(30) **Foreign Application Priority Data**

Mar. 27, 2013 (EM) ..... 001366322-0001  
Mar. 27, 2013 (EM) ..... 001366322-0002

(51) **LOC (10) Cl.** ..... **14-03**

(52) **U.S. Cl.**  
USPC ..... **D14/214**

(58) **Field of Classification Search**  
USPC ..... D14/167, 168, 170-172, 188, 194-196,  
D14/204, 207, 209.1, 210-216, 219, 221,  
D14/222, 224, 496; 181/143, 144, 147, 148,  
181/150, 153, 157, 198, 199; 381/300-303,  
381/306, 332, 333, 336, 345, 361-364,  
381/386-388; 369/6-12  
CPC .... B60R 11/0217; G06F 1/1688; H04M 1/03;  
H04M 1/035; H04R 1/02; H04R 1/063;  
H04R 1/021; H04R 1/025; H04R 1/026;  
H04R 1/028; H04R 1/105; H04R 1/323;  
H04R 1/403; H04R 1/2803; H04R 1/2834;  
H04R 5/02; H04R 7/20; H04R 9/06; H04R  
9/025; H04R 2201/021; H04R 2400/00;  
H04R 2400/07; H04R 2499/11; H04R  
2499/13; H04R 2499/15; H04S 3/00; H04S  
7/30

See application file for complete search history.

(56) **References Cited**

U.S. PATENT DOCUMENTS

D531,986 S *	11/2006	Azumi	.....	D14/214
D568,868 S *	5/2008	Baird	.....	D14/214
D568,869 S *	5/2008	Anthony	.....	D14/214
D568,870 S *	5/2008	Anthony	.....	D14/214
D641,006 S *	7/2011	Anthony	.....	D14/214
D692,863 S *	11/2013	Givre	.....	D14/214
D692,864 S *	11/2013	Givre	.....	D14/214
D698,336 S *	1/2014	Givre	.....	D14/214
D705,753 S *	5/2014	Kimura	.....	D14/209.1
D727,292 S *	4/2015	Anthony	.....	D14/214
D727,874 S *	4/2015	Christner	.....	D14/210
D729,202 S *	5/2015	Shin	.....	D14/215
D736,179 S *	8/2015	Speck	.....	D14/210

\* cited by examiner

*Primary Examiner* — Keli L Hill

(74) *Attorney, Agent, or Firm* — Dinsmore & Shohl LLP

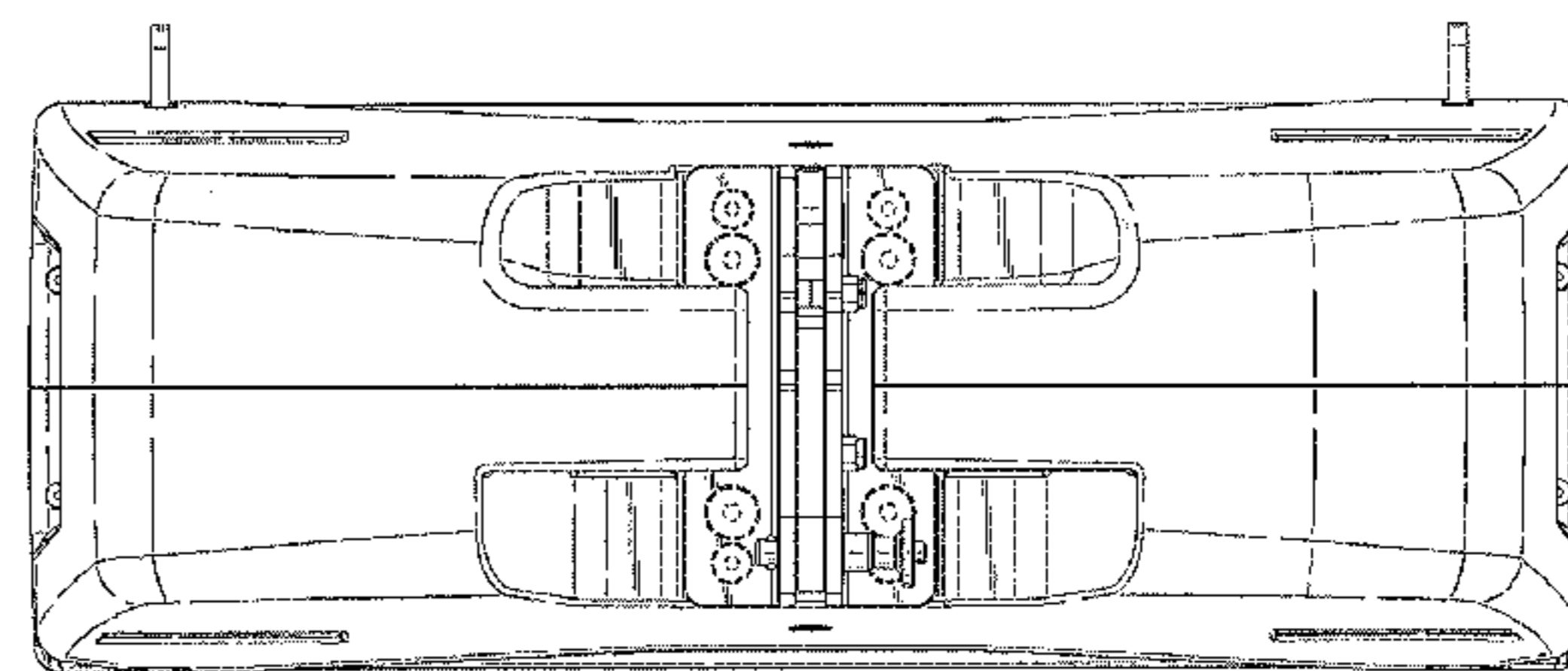
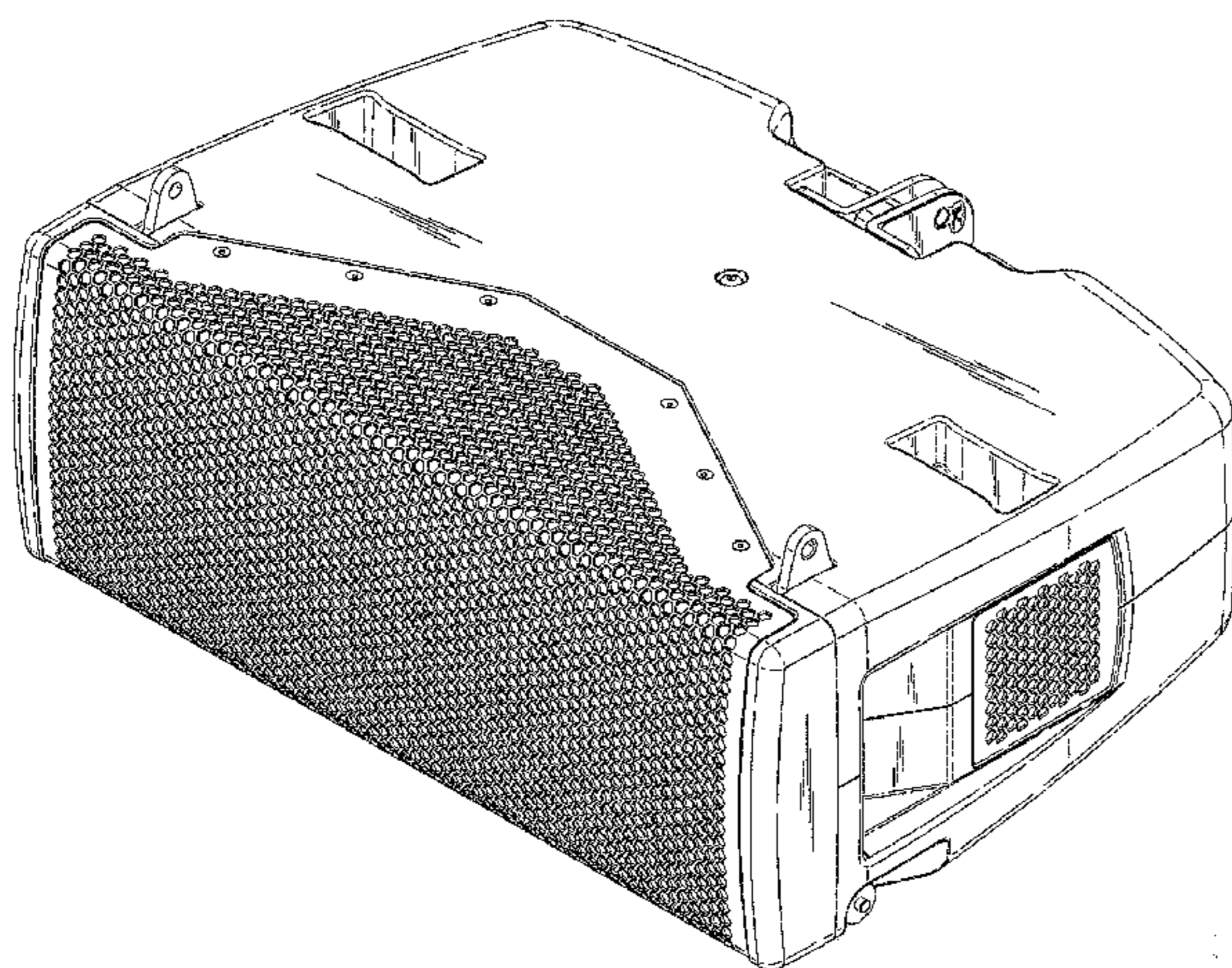
(57) **CLAIM**

The ornamental design of a loudspeaker, as shown and described.

**DESCRIPTION**

FIG. 1 is a front perspective view of a loudspeaker, embodying our new design;  
FIG. 2 is a front view of the design of FIG. 1;  
FIG. 3 is a rear view of the design of FIG. 1;  
FIG. 4 is a side view of the design of FIG. 1;  
FIG. 5 is an opposite side view of the design of FIG. 1;  
FIG. 6 is a top view of the design of FIG. 1; and,  
FIG. 7 is a bottom view of the design of FIG. 1.  
The broken lines in the drawings represent portions of the loudspeaker that form no part of the claimed design.

**1 Claim, 4 Drawing Sheets**



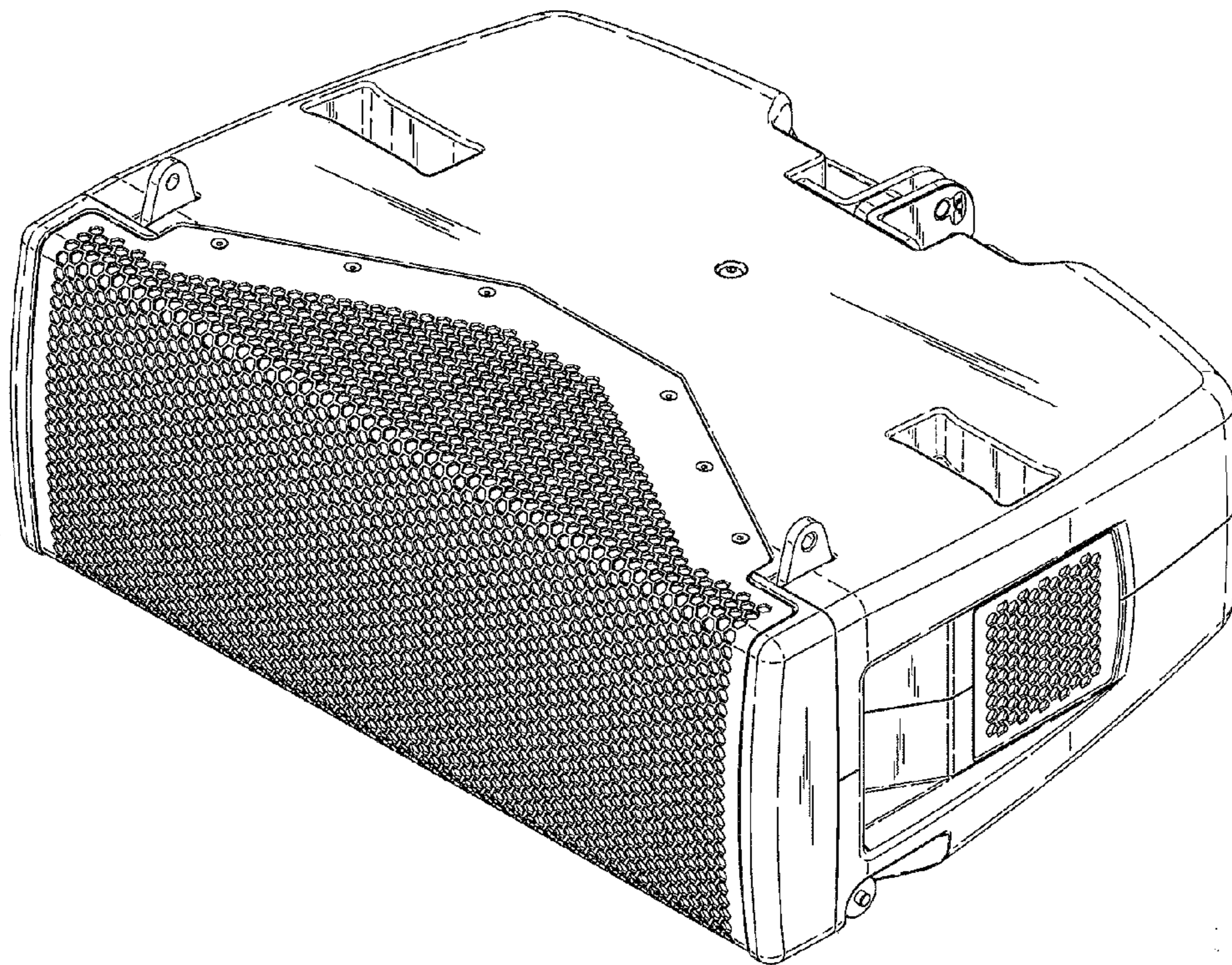


Fig. 1

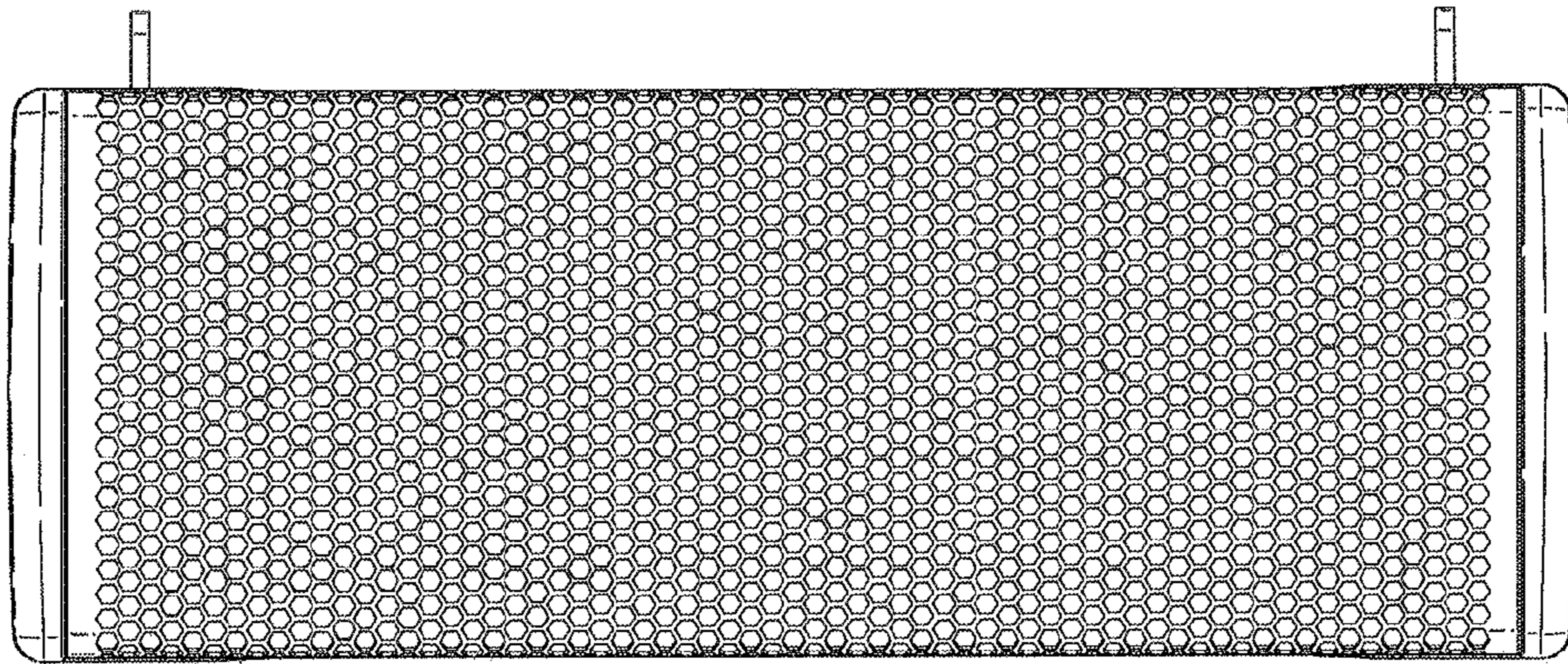


Fig. 2

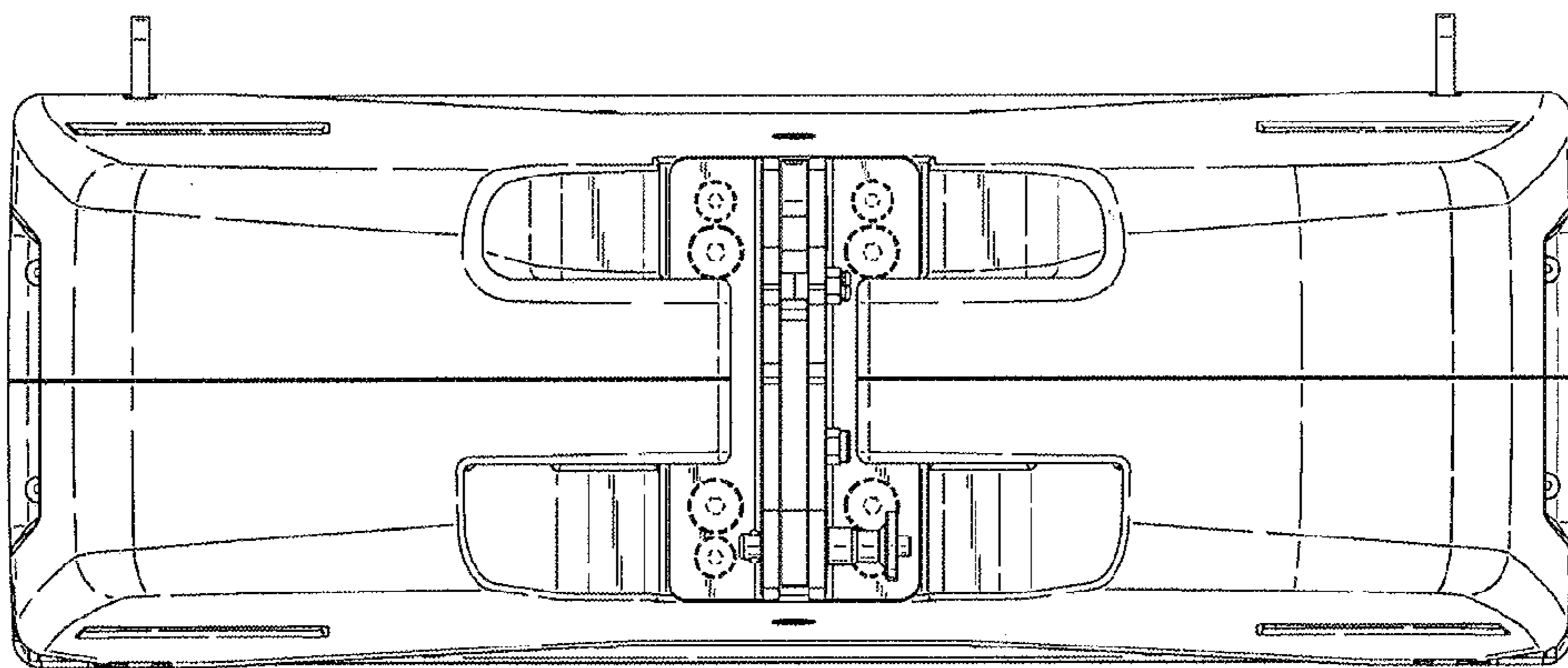


Fig. 3

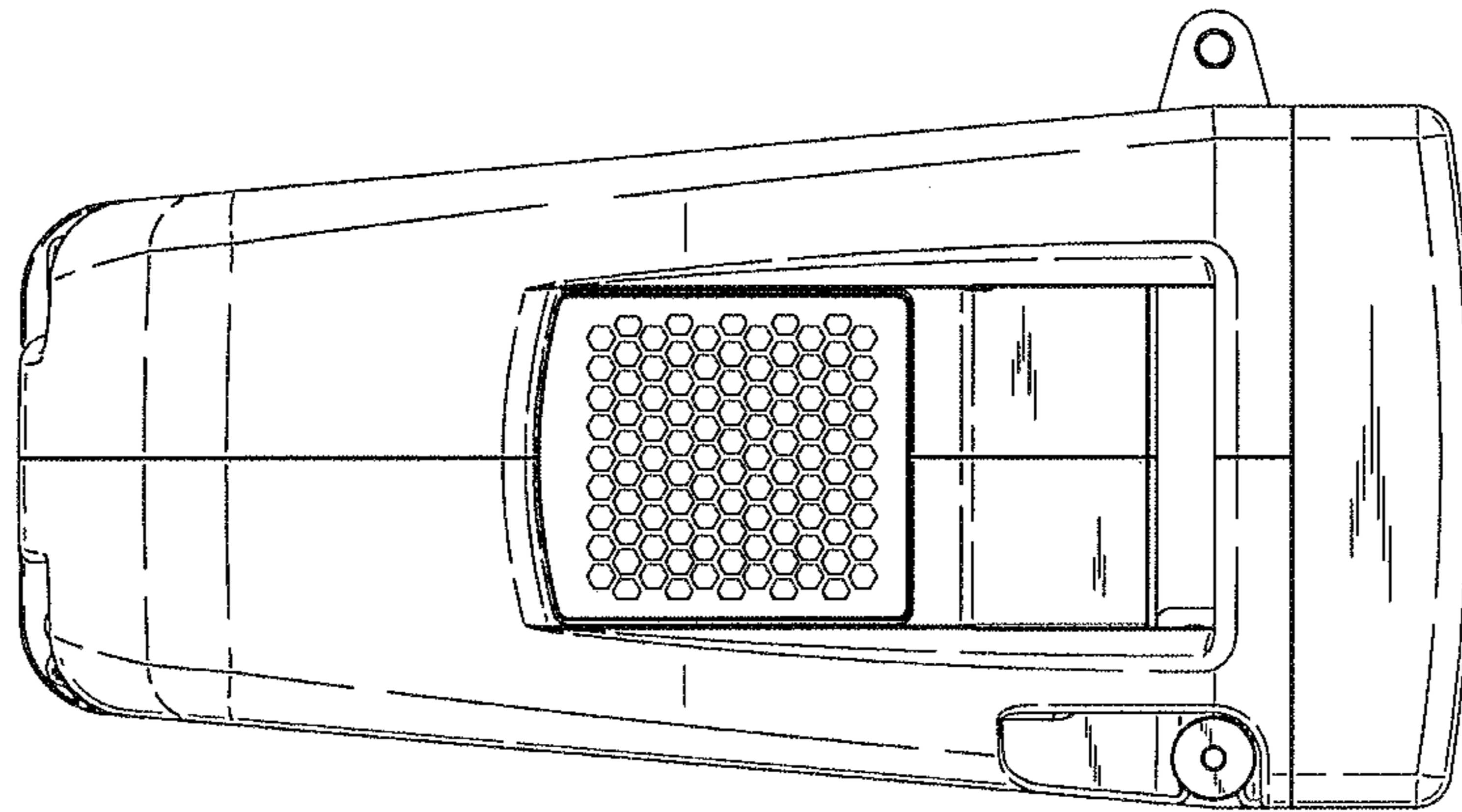


Fig. 4

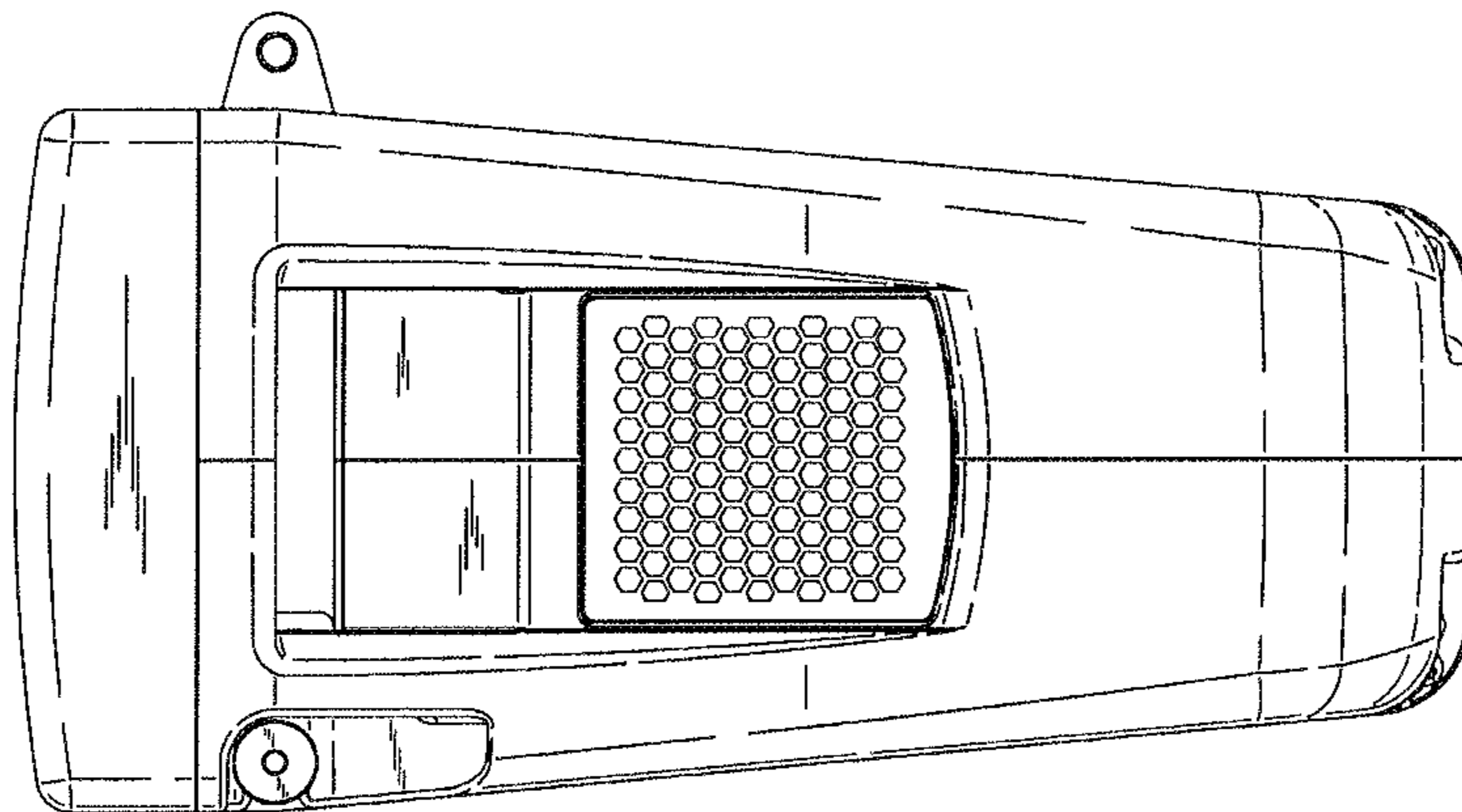


Fig. 5

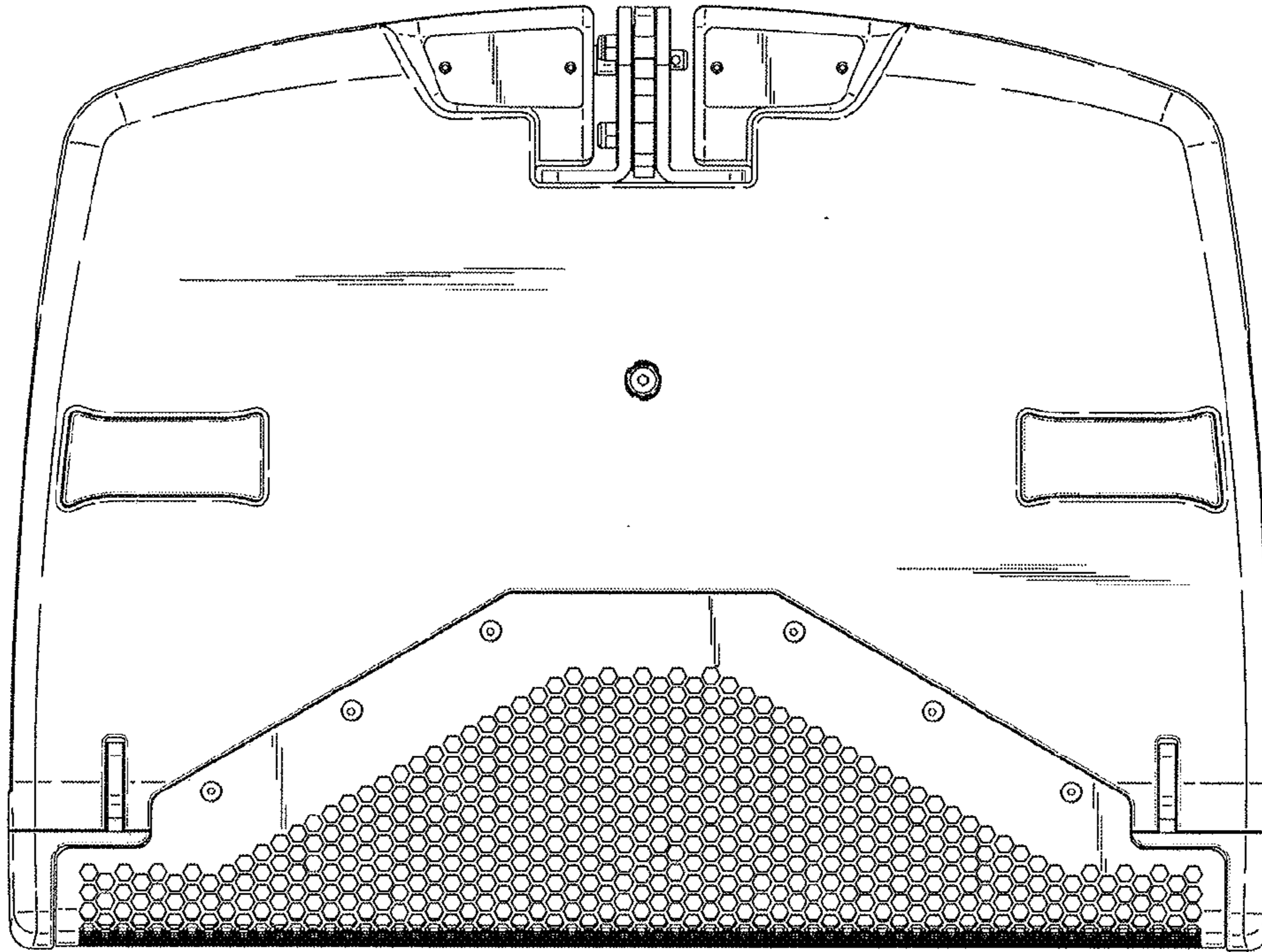


Fig. 6

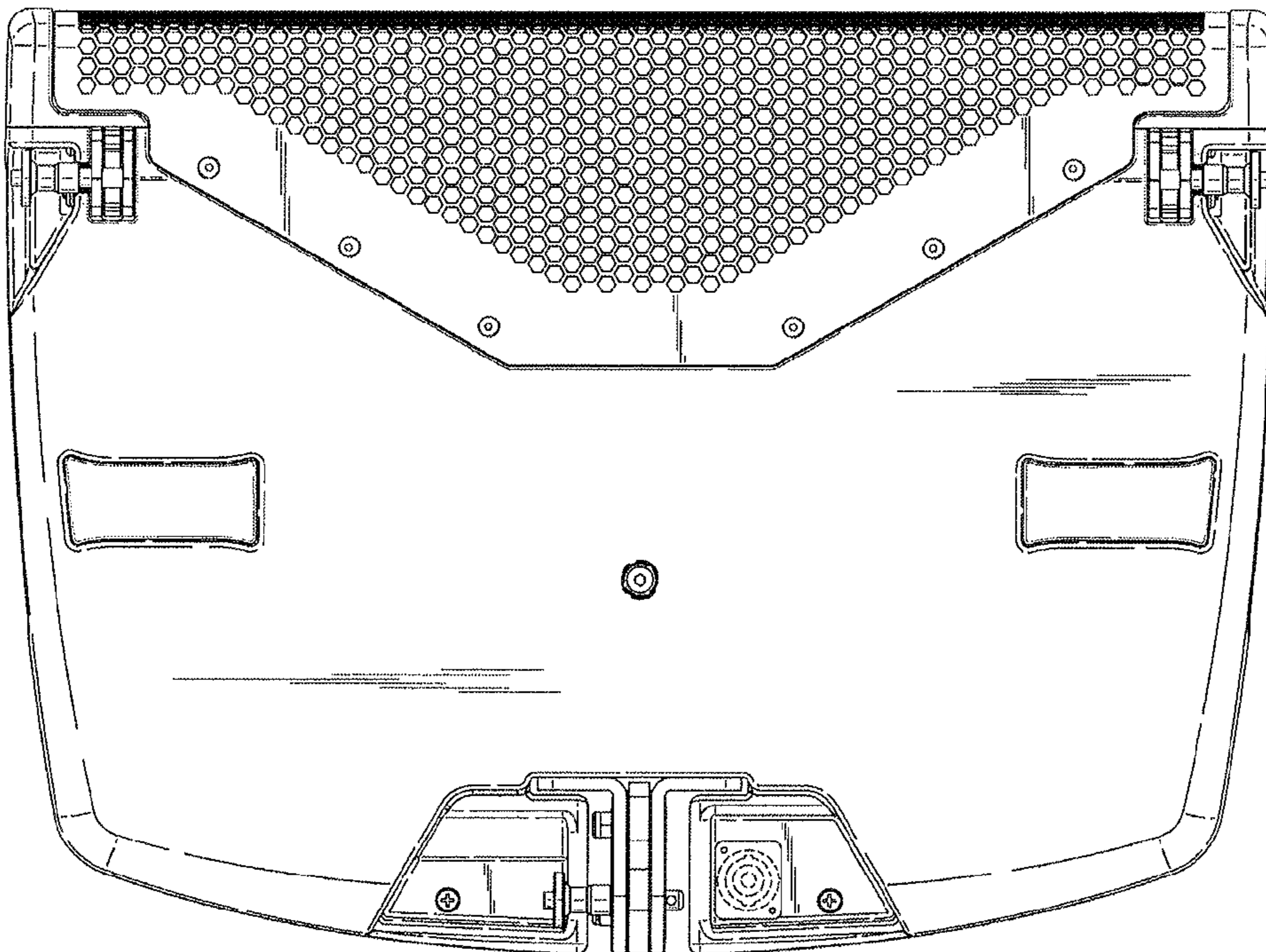


Fig. 7