



US00D762617S

(12) **United States Design Patent**
Park et al.

(10) **Patent No.:** **US D762,617 S**
(45) **Date of Patent:** **** Aug. 2, 2016**

(54) **WIRELESS HEADSET**
(71) Applicant: **LG ELECTRONICS INC.**, Seoul (KR)
(72) Inventors: **Soonhyun Park**, Seoul (KR);
Cheolwoong Shin, Seoul (KR); **Hongsik Kim**, Seoul (KR); **Jinki Min**, Seoul (KR); **Seunghwan Song**, Seoul (KR); **Byunghyun Yi**, Seoul (KR); **Jiyoun Cha**, Seoul (KR)
(73) Assignee: **LG Electronics Inc.**, Seoul (KR)
(**) Term: **15 Years**
(21) Appl. No.: **29/529,902**
(22) Filed: **Jun. 11, 2015**

(30) **Foreign Application Priority Data**
Dec. 12, 2014 (KR) 30-2014-0060834
(51) **LOC (10) Cl.** **14-01**
(52) **U.S. Cl.**
USPC **D14/205**
(58) **Field of Classification Search**
USPC D14/205, 223, 372; D29/112; 2/209;
181/129, 130, 135; 379/430, 431;
381/380, 381, 370, 371, 74, 151, 384;
455/90.3, 569.1
CPC H04R 1/1016; H04R 1/1091; H04R 1/10;
H04R 25/00; H04R 5/0335; H04R 5/033
See application file for complete search history.

(56) **References Cited**
U.S. PATENT DOCUMENTS
3,863,028 A * 1/1975 Fixler H04R 5/0335
381/19
4,821,318 A * 4/1989 Wu H04M 1/05
379/430
D337,587 S * 7/1993 Nakayama D14/205
D371,558 S * 7/1996 Yoshizawa D14/205

D381,414 S * 7/1997 Westerdal D14/205
5,749,373 A * 5/1998 Dix A61F 11/12
128/864
6,123,168 A * 9/2000 Berg A61F 11/12
128/866
D457,515 S * 5/2002 Masamitsu D14/192
D458,245 S * 6/2002 Masuda D14/192
6,603,863 B1 * 8/2003 Nagayoshi H04R 5/0335
381/370
D504,177 S * 4/2005 Erfan D14/205
D557,685 S * 12/2007 Lee D14/205
D575,268 S * 8/2008 Christopher D14/205
D576,149 S * 9/2008 Malik D14/205
D579,442 S * 10/2008 Kim D14/205
D593,067 S * 5/2009 Millora D14/205
D594,442 S * 6/2009 Chon D14/205
D599,777 S * 9/2009 Yuyama D14/205
D617,308 S * 6/2010 Nousiainen D14/205
D623,627 S * 9/2010 Alden D14/205
D633,471 S * 3/2011 Sugiyama D14/205
D645,444 S * 9/2011 Quek D14/205

(Continued)

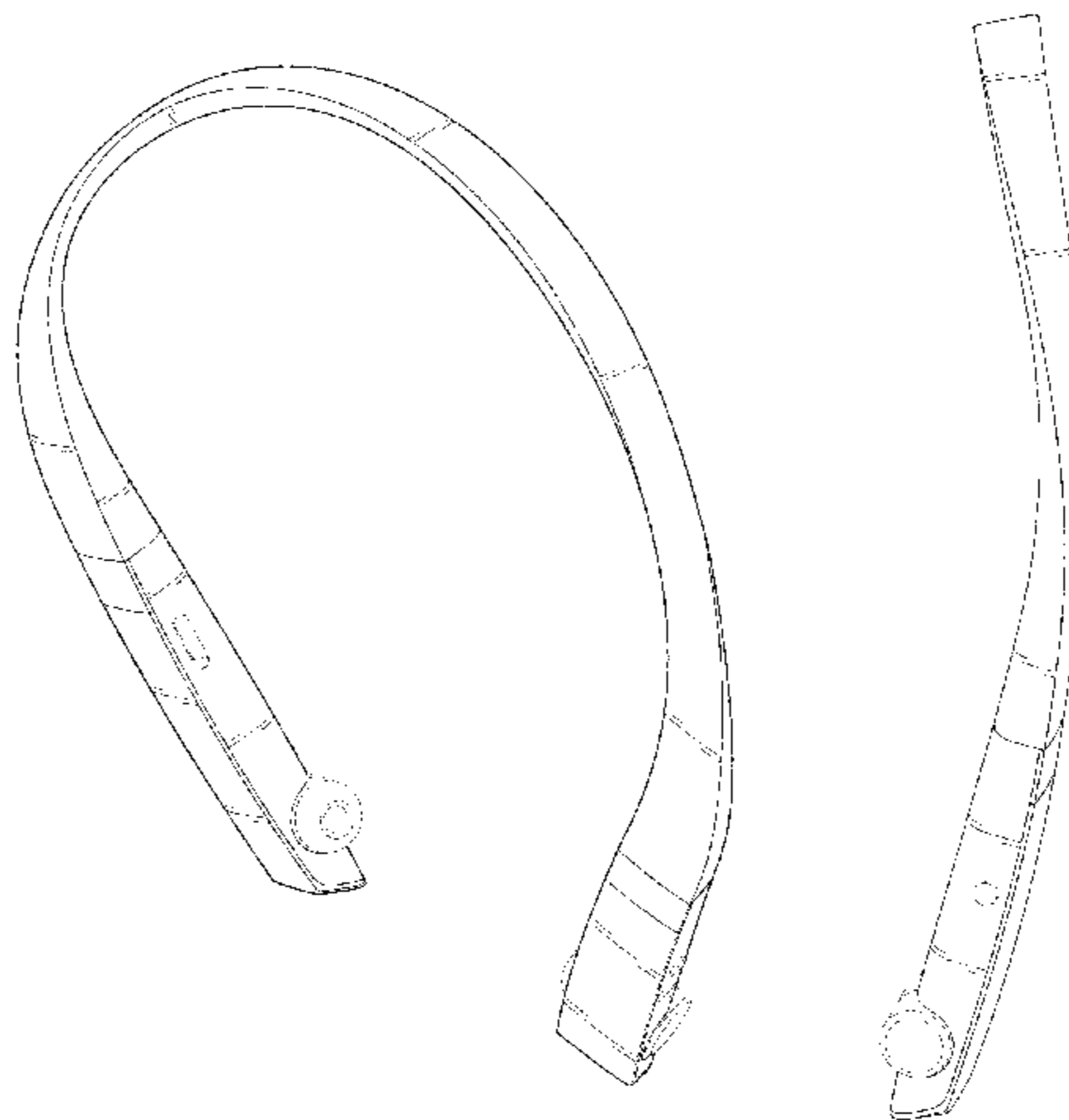
Primary Examiner — Paula Greene
(74) *Attorney, Agent, or Firm* — Birch, Stewart, Kolasch & Birch, LLP

(57) **CLAIM**
The ornamental design for a wireless headset, as shown and described.

DESCRIPTION

FIG. 1 is a perspective view of a wireless headset showing our new design;
FIG. 2 is a front view thereof;
FIG. 3 is a rear view thereof;
FIG. 4 is a left side view thereof where the right side view is a mirror image;
FIG. 5 is a top plan view thereof;
FIG. 6 is a bottom plan view thereof; and,
FIG. 7 is a reference view thereof showing an example of the usage of the subject design.
The broken lines depict portions of the wireless headset that form no part of the claimed design.

1 Claim, 6 Drawing Sheets



(56)

References Cited

U.S. PATENT DOCUMENTS

D653,234 S *	1/2012	Lee	D14/205	D721,673 S *	1/2015	Park	D14/205
D663,471 S *	7/2012	Bennett	D26/93	D723,510 S *	3/2015	Ishikura	D14/205
D663,714 S *	7/2012	Kang	D14/205	D730,867 S *	6/2015	Park	D14/205
D669,881 S *	10/2012	Clements	D14/205	D731,999 S *	6/2015	Cepress	D14/205
D678,858 S *	3/2013	Feng	D14/205	D732,510 S *	6/2015	Masters	D14/223
8,433,082 B2 *	4/2013	Abolfathi	H04R 1/46 381/151	D743,933 S *	11/2015	Park	D14/205
D707,199 S *	6/2014	Cepress	D14/205	2001/0010727 A1 *	8/2001	Urwyler	H04R 1/1033 381/384
D716,759 S *	11/2014	Ha	D14/205	2011/0170702 A1 *	7/2011	Bays	H04R 5/0335 381/74
					2013/0329903 A1 *	12/2013	Ting	H04R 1/105 381/74

* cited by examiner

FIG. 1

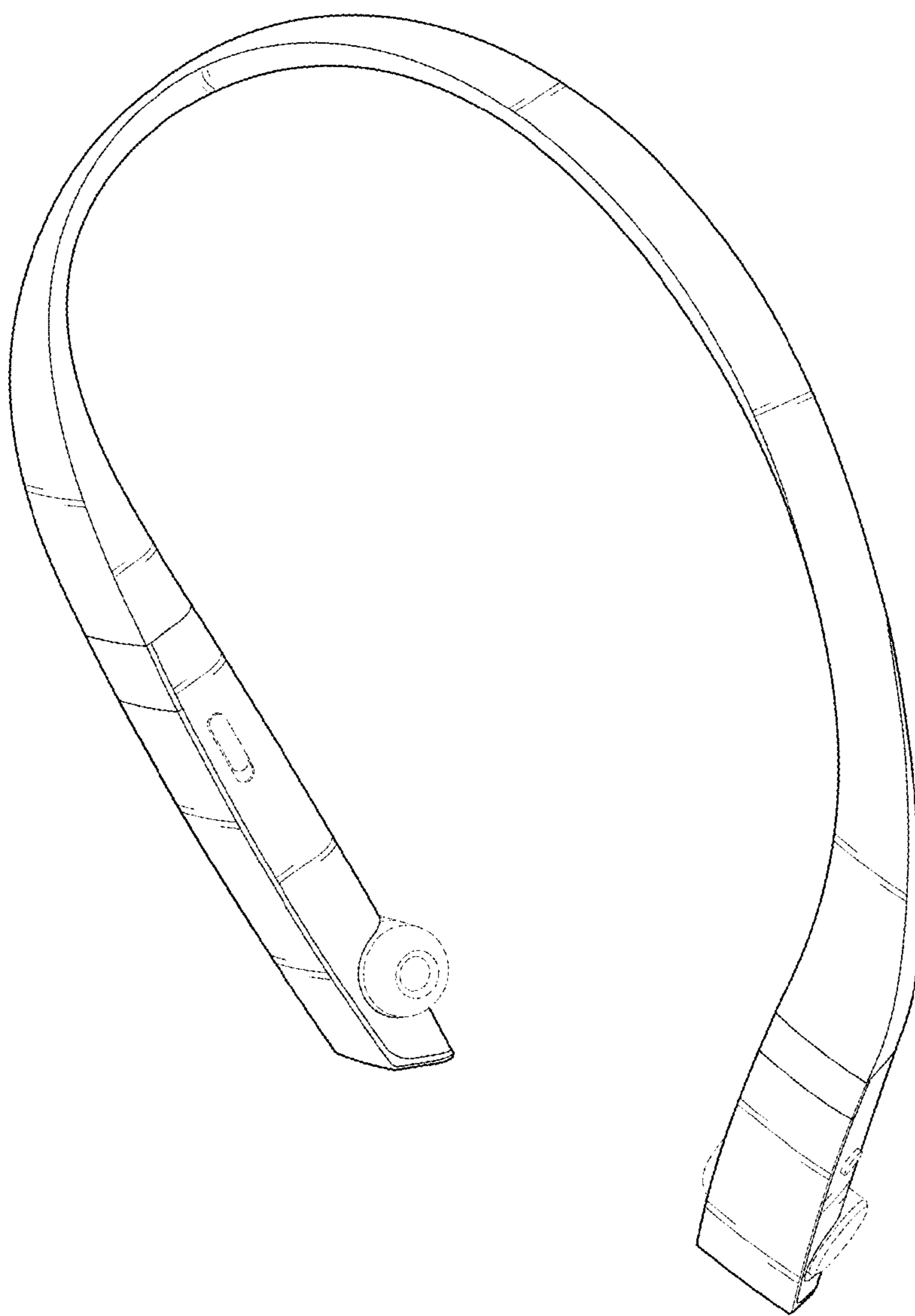


FIG. 2

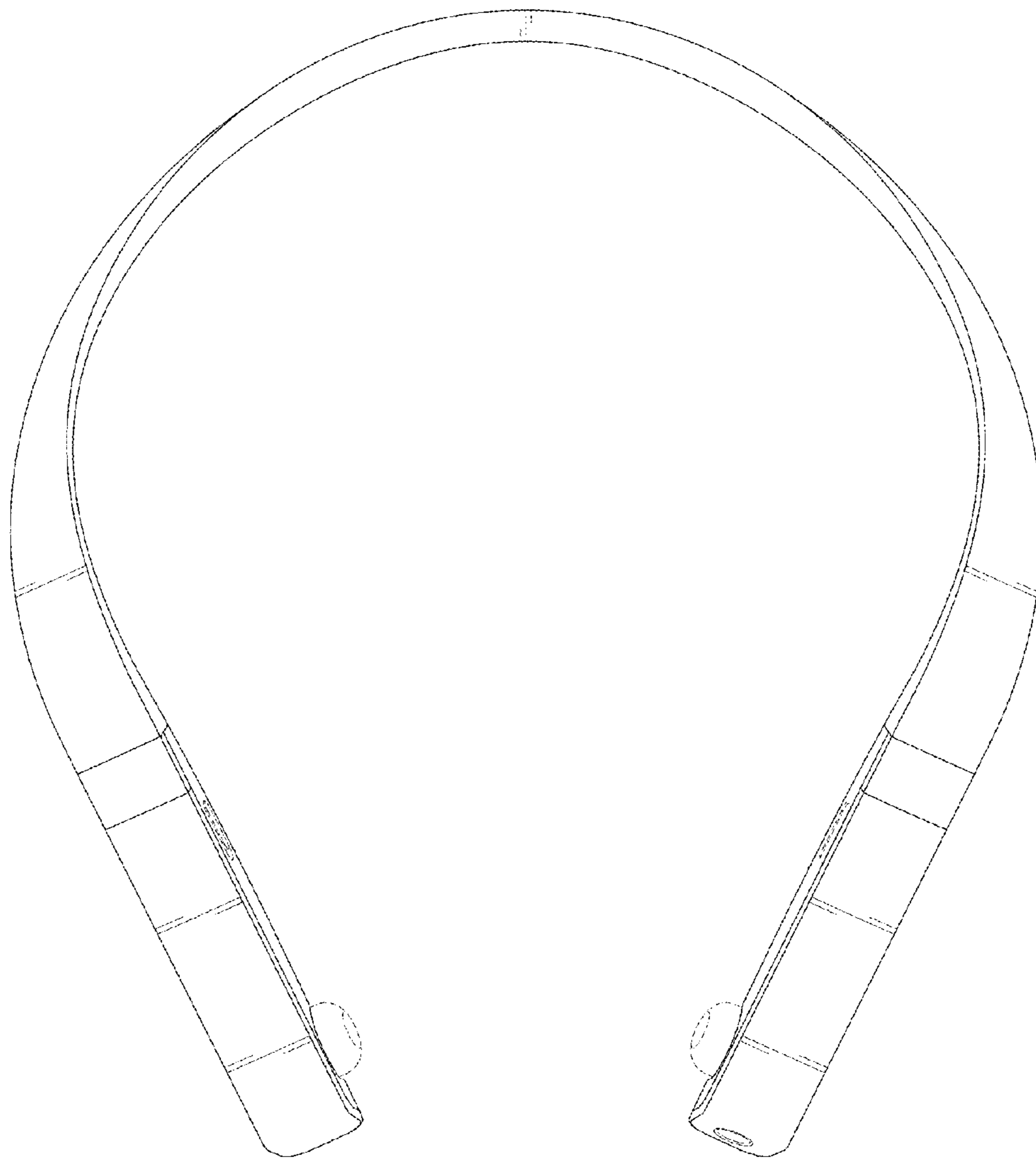


FIG. 3

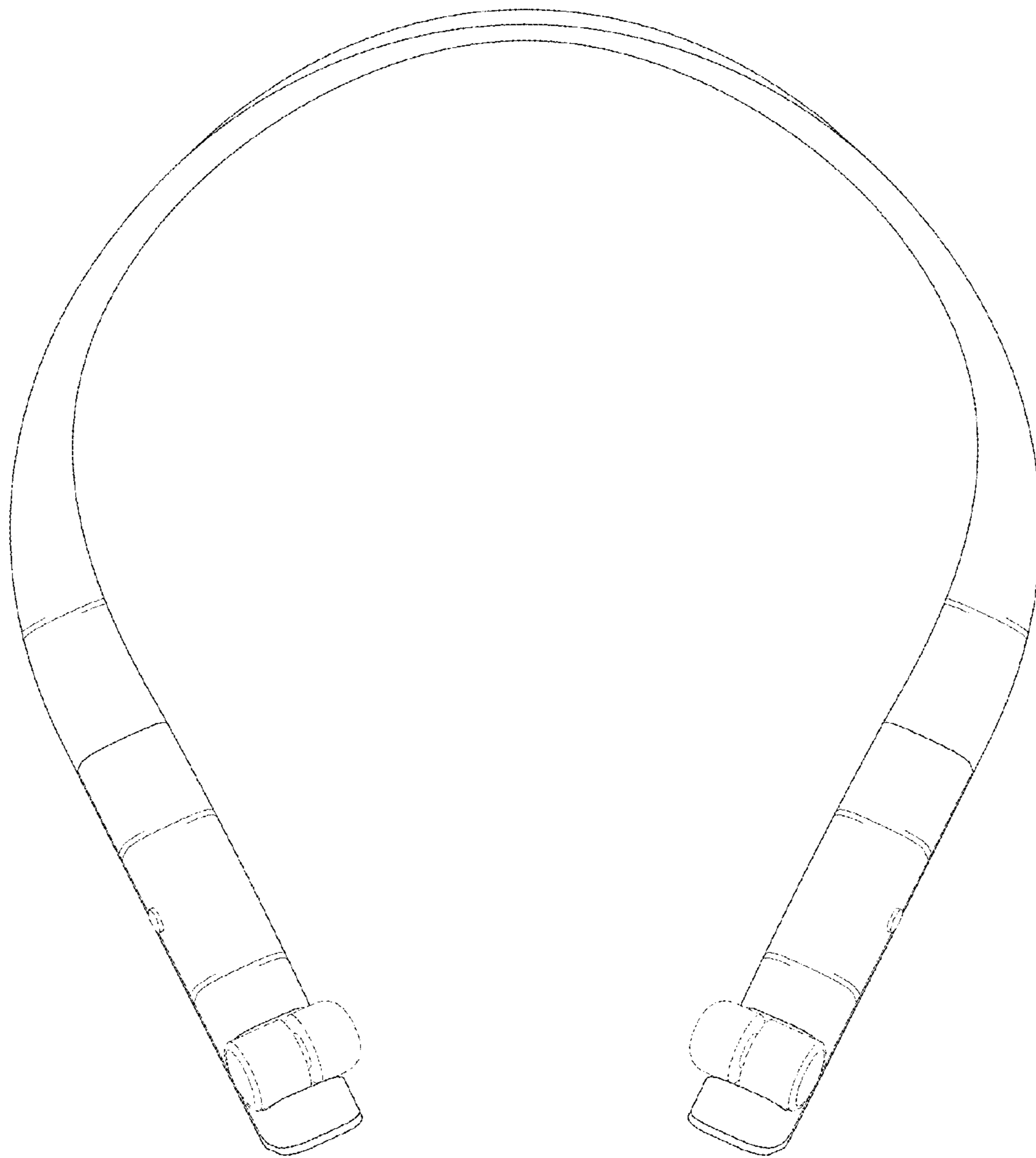


FIG. 4

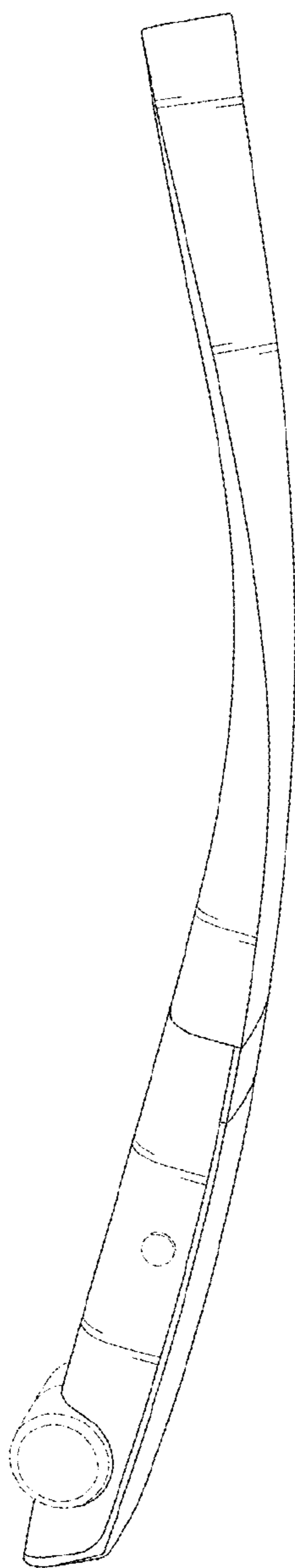


FIG. 5

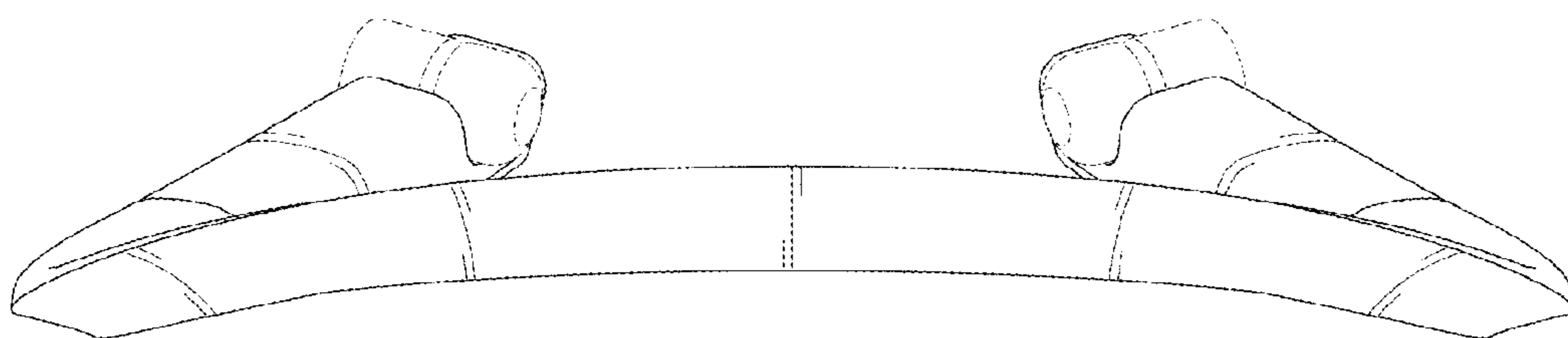


FIG. 6

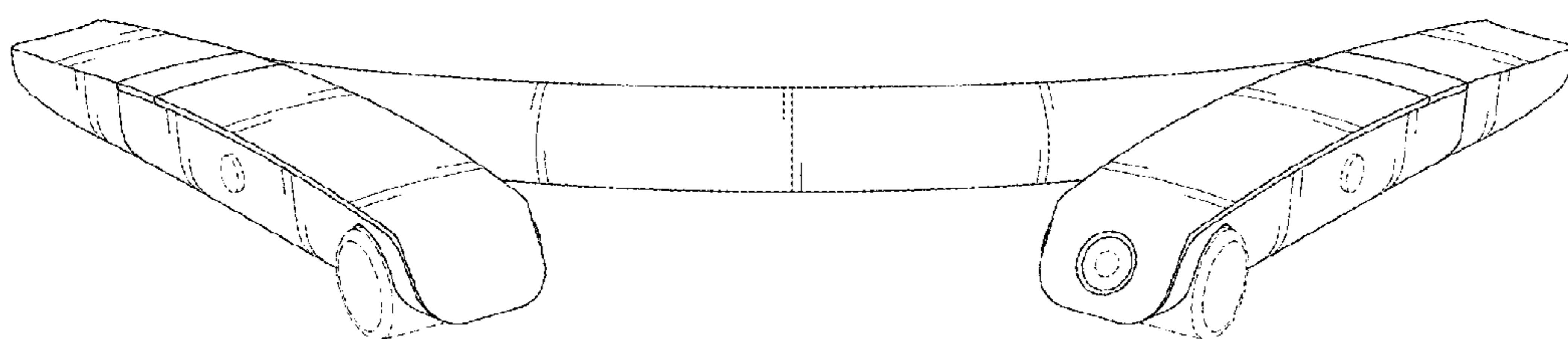


FIG. 7

