



US00D762616S

(12) **United States Design Patent**
Hsieh et al.

(10) **Patent No.:** **US D762,616 S**
(45) **Date of Patent:** **** Aug. 2, 2016**

(54) **EARPHONE**
(71) Applicant: **1MORE INC.**, Shenzhen (CN)
(72) Inventors: **Kuanhong Hsieh**, Guangdong (CN);
Boqing Lin, Shenzhen (CN); **Shichen Xu**, Shenzhen (CN); **Zuxi Liu**, Shenzhen (CN)
(73) Assignee: **1MORE INC.**, Shenzhen (CN)
(**) Term: **14 Years**
(21) Appl. No.: **29/521,152**
(22) Filed: **Mar. 20, 2015**

(30) **Foreign Application Priority Data**
Oct. 29, 2014 (CN) 2014 3 0417693
(51) **LOC (10) Cl.** **14-01**
(52) **U.S. Cl.**
USPC **D14/205**; D14/223
(58) **Field of Classification Search**
USPC D14/205, 206, 223; 181/129, 130, 135;
379/430, 431; 381/380, 381, 328;
455/90.3, 575.1
CPC H04R 1/10
See application file for complete search history.

(56) **References Cited**
U.S. PATENT DOCUMENTS
4,981,194 A * 1/1991 Kamon H04R 1/08
181/129
5,410,608 A * 4/1995 Lucey H04R 1/083
381/360
D431,553 S * 10/2000 Suzuki D14/223
D479,834 S * 9/2003 Salazar D14/205
D487,077 S * 2/2004 Obata D14/223
D517,054 S * 3/2006 Yang D14/205
D538,784 S * 3/2007 Eklund D14/205
D539,268 S * 3/2007 Suzuki D14/206
D550,658 S * 9/2007 Wang D14/223

D554,109 S * 10/2007 Ledbetter D14/223
D554,627 S * 11/2007 Gondo D14/223
D555,152 S * 11/2007 Wang D14/223
D558,735 S * 1/2008 Carr D14/206
D566,099 S * 4/2008 Komiyama D14/206
D572,703 S * 7/2008 Ledbetter D14/205
D576,154 S * 9/2008 Ledbetter D14/223
D587,681 S * 3/2009 Yanai D14/205
D591,264 S * 4/2009 Hong D14/205
D605,636 S * 12/2009 Yang D14/223
D626,117 S * 10/2010 Lowry D14/223
D636,763 S * 4/2011 Walter D14/223
D641,008 S * 7/2011 Lee D14/223
D643,416 S * 8/2011 Chong D14/223
D643,417 S * 8/2011 Lee D14/223
D647,081 S * 10/2011 Kwon D14/223
D653,235 S * 1/2012 McManigal D14/205
8,111,861 B2 * 2/2012 Lowry H04R 1/1016
181/135
D666,996 S * 9/2012 Hardi D14/223
D674,376 S * 1/2013 Kelly D14/223
D678,251 S * 3/2013 Cantoni D14/223

(Continued)

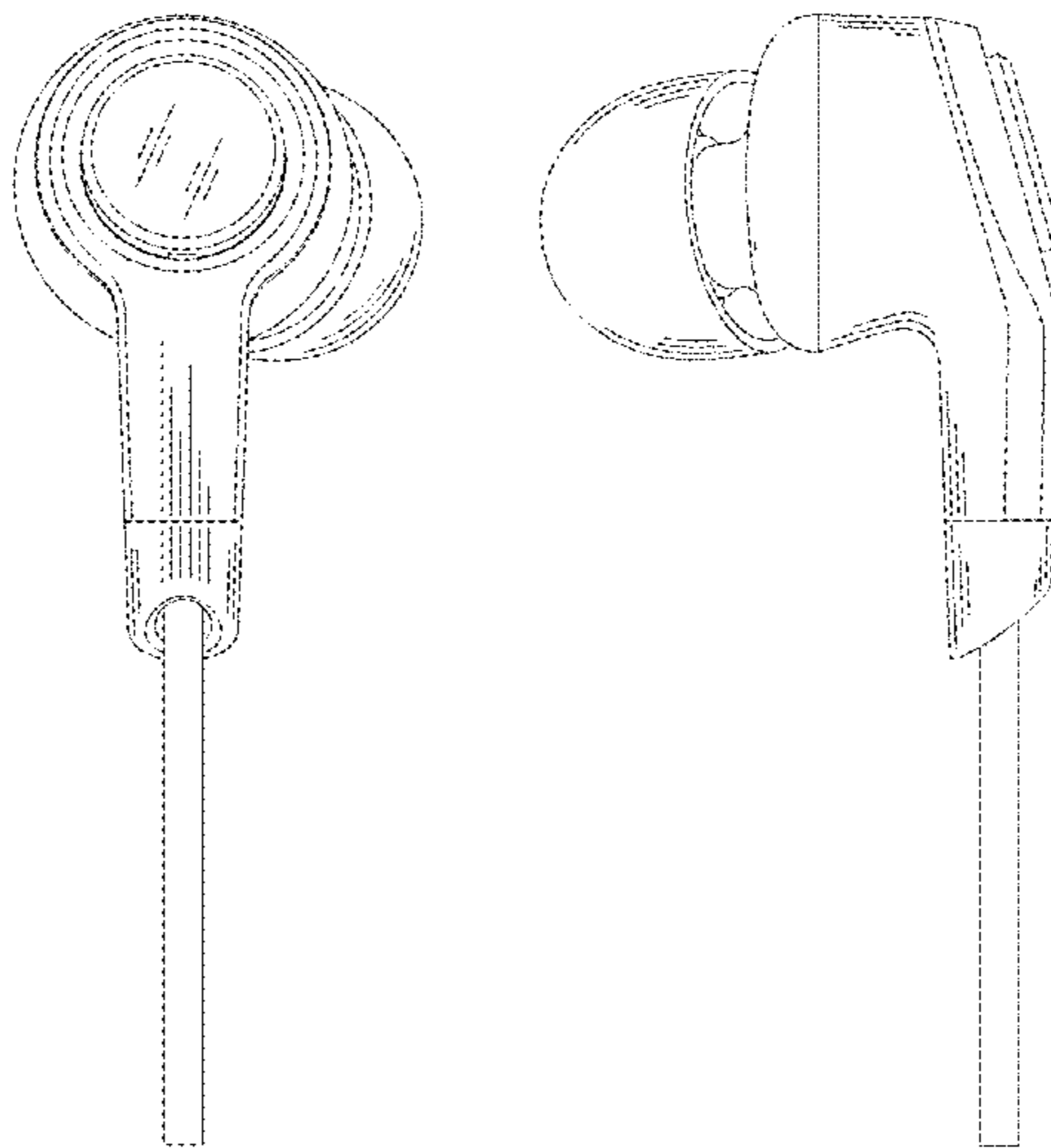
Primary Examiner — Paula Greene
(74) *Attorney, Agent, or Firm* — Polsinelli PC

(57) **CLAIM**
The ornamental design for an earphone, as shown and described.

DESCRIPTION

FIG. 1 is a front elevational view of an earphone showing my new design;
FIG. 2 is a rear elevational view thereof;
FIG. 3 is a left-side elevational view thereof;
FIG. 4 is a right-side elevational view thereof;
FIG. 5 is a top plan view thereof;
FIG. 6 is a bottom plan view thereof;
FIG. 7 is a perspective view thereof; and,
FIG. 8 is another perspective view thereof.
The broken lines in the figures show portions of the earphone and form no part of the claimed design.

1 Claim, 7 Drawing Sheets



(56)

References Cited

U.S. PATENT DOCUMENTS

D680,102 S *	4/2013	Chen	D14/223	D710,334 S *	8/2014	Yang	D14/223
D683,332 S *	5/2013	Lee	D14/223	8,831,266 B1 *	9/2014	Huang	H04R 1/1091 381/370
D686,597 S *	7/2013	Lee	D14/223	D718,286 S *	11/2014	Yang	D14/223
D688,650 S *	8/2013	Chen	D14/223	D728,533 S *	5/2015	Poulsen	D14/223
D697,058 S *	1/2014	Thompson	D14/205	D732,508 S *	6/2015	Funayama	D14/223
8,712,087 B2 *	4/2014	Ozawa	H04R 1/345 181/130	D733,101 S *	6/2015	Pi	D14/223
D707,652 S *	6/2014	Brunner	D14/205	D746,792 S *	1/2016	Kim	D14/205
					D747,702 S *	1/2016	Breines	D14/223
					2012/0237074 A1 *	9/2012	Aase	H04R 1/1016 381/380

* cited by examiner

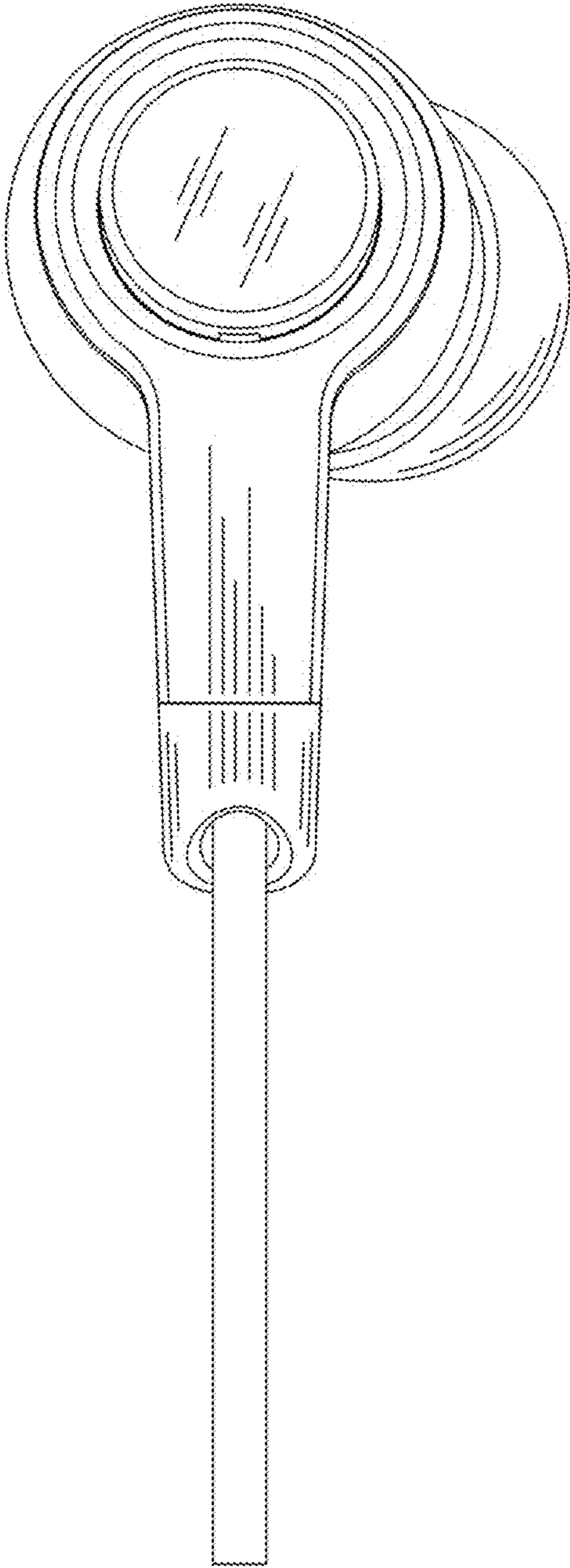


FIG. 1

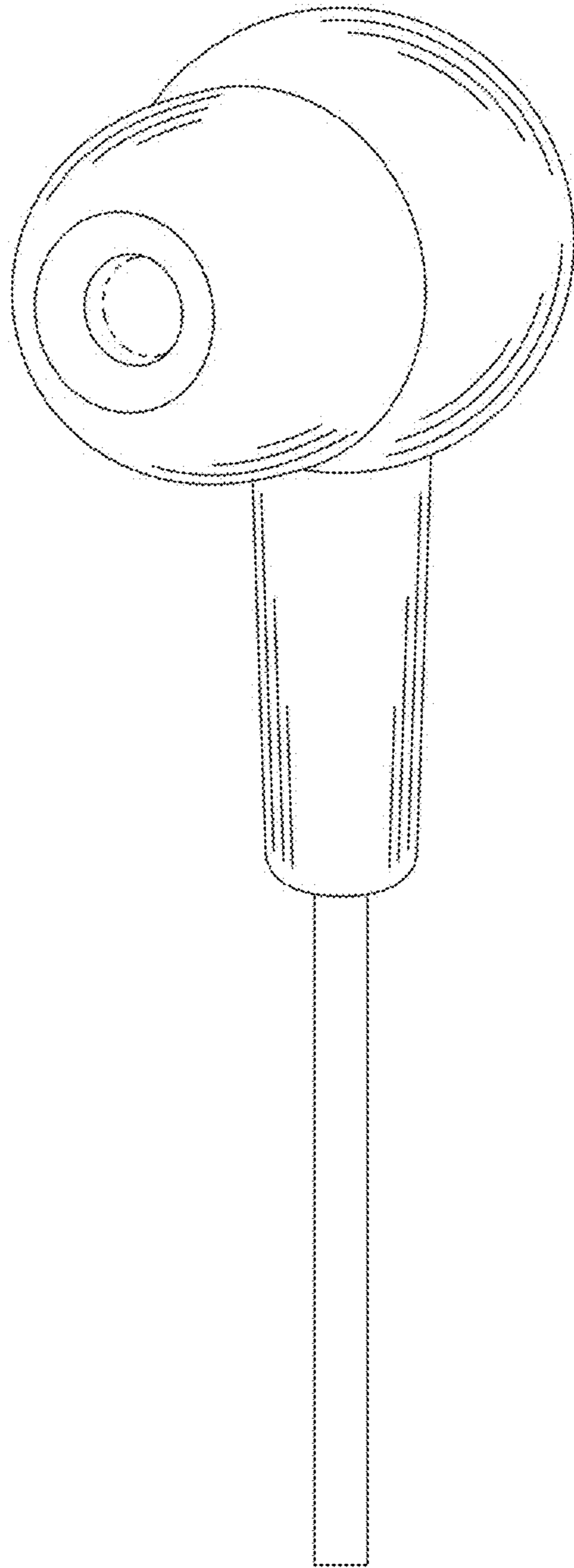


FIG. 2

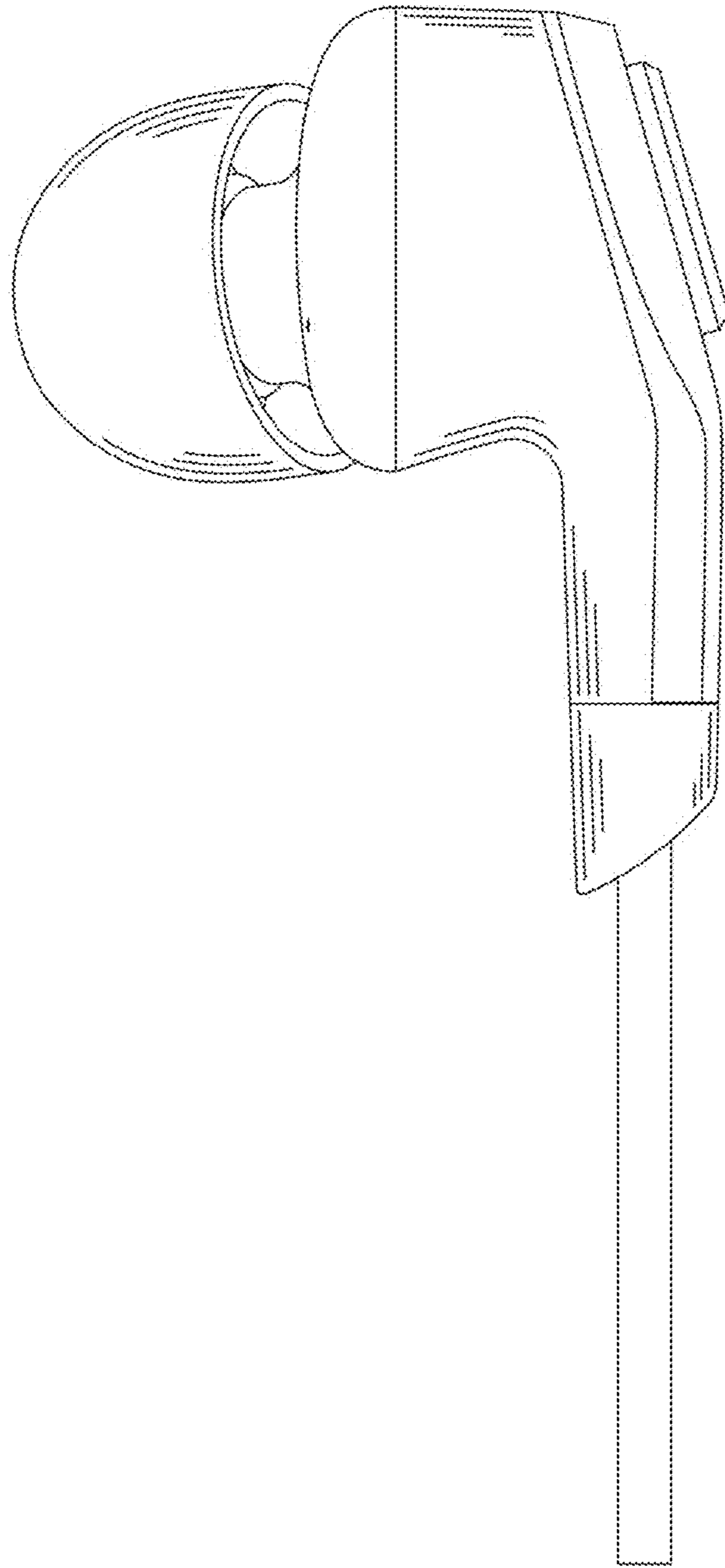


FIG. 3

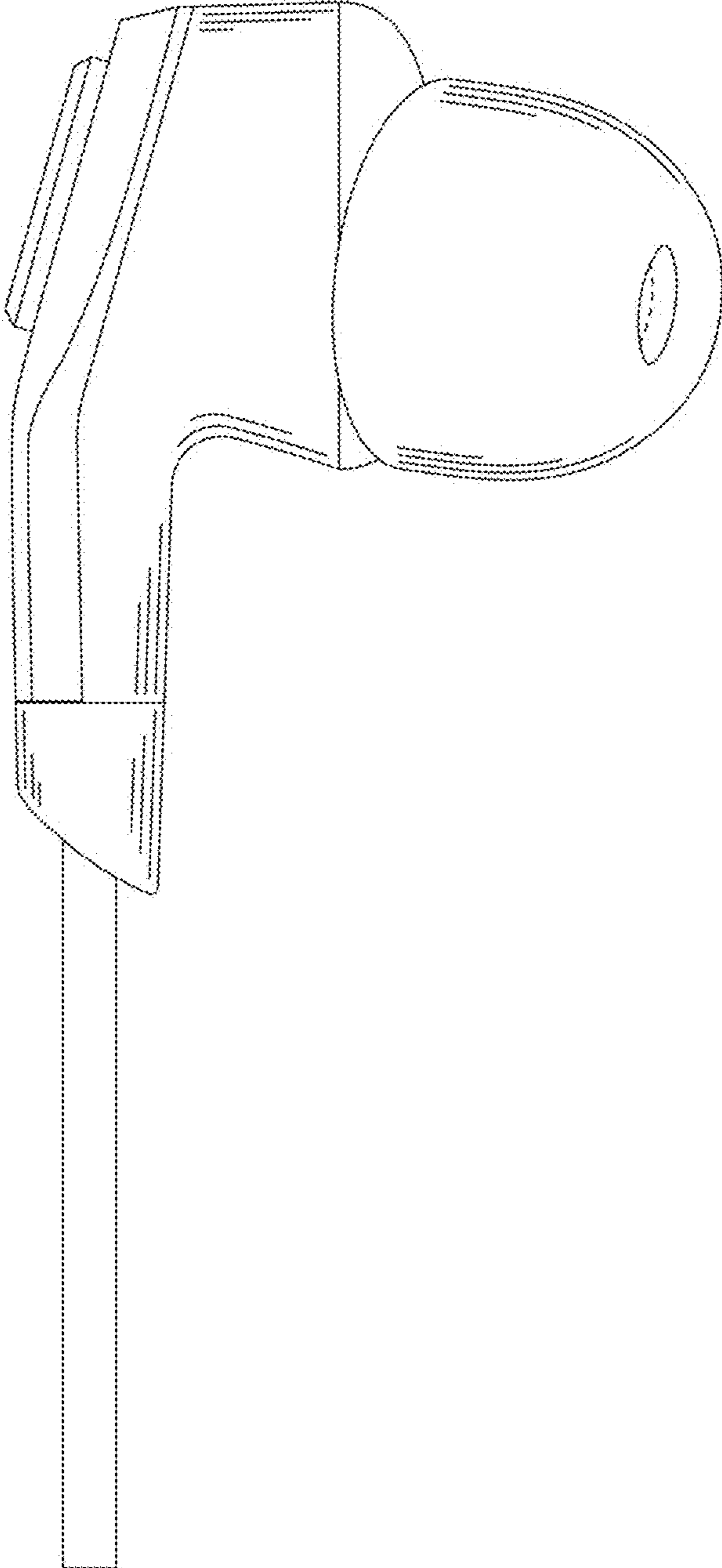


FIG. 4

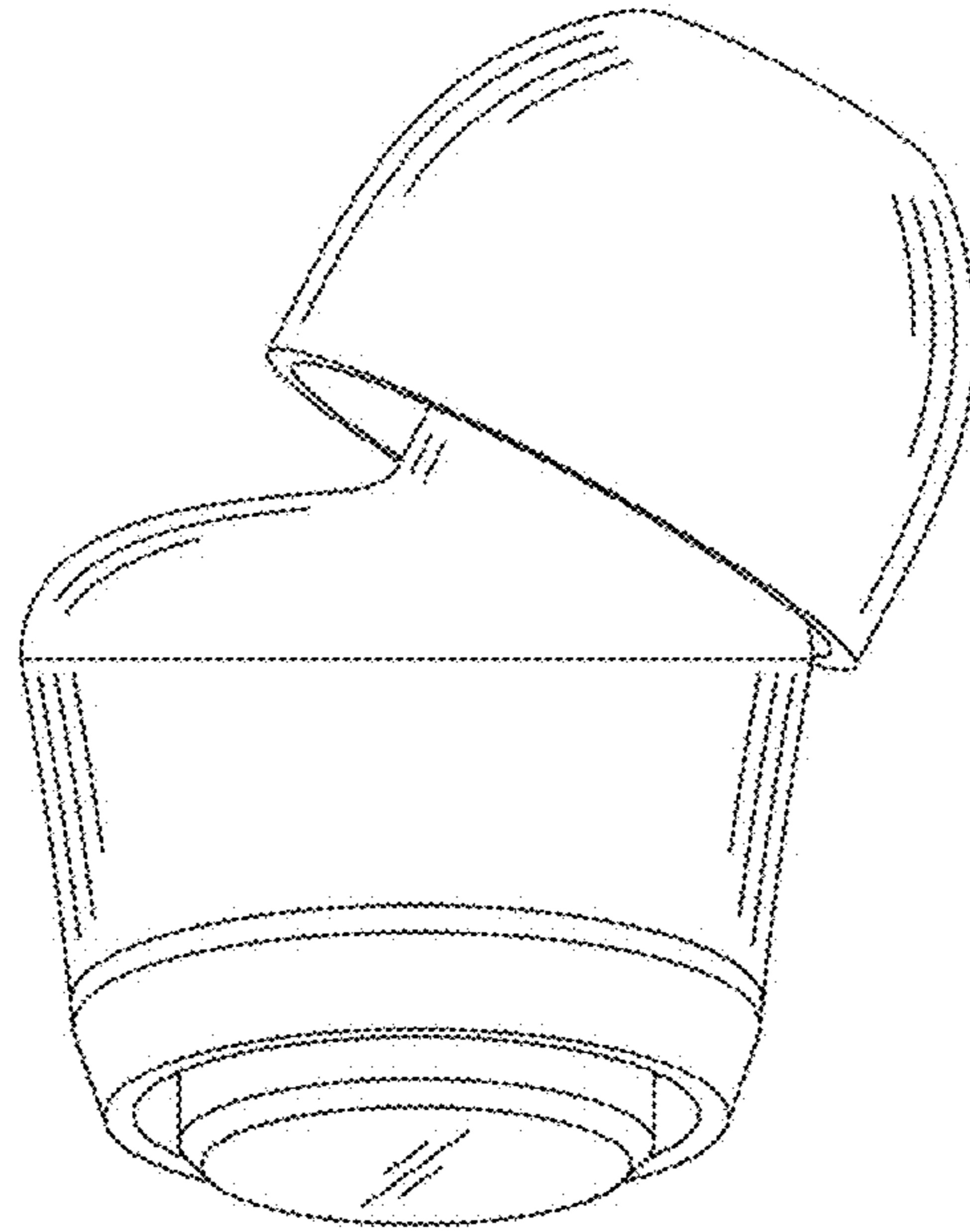


FIG. 5

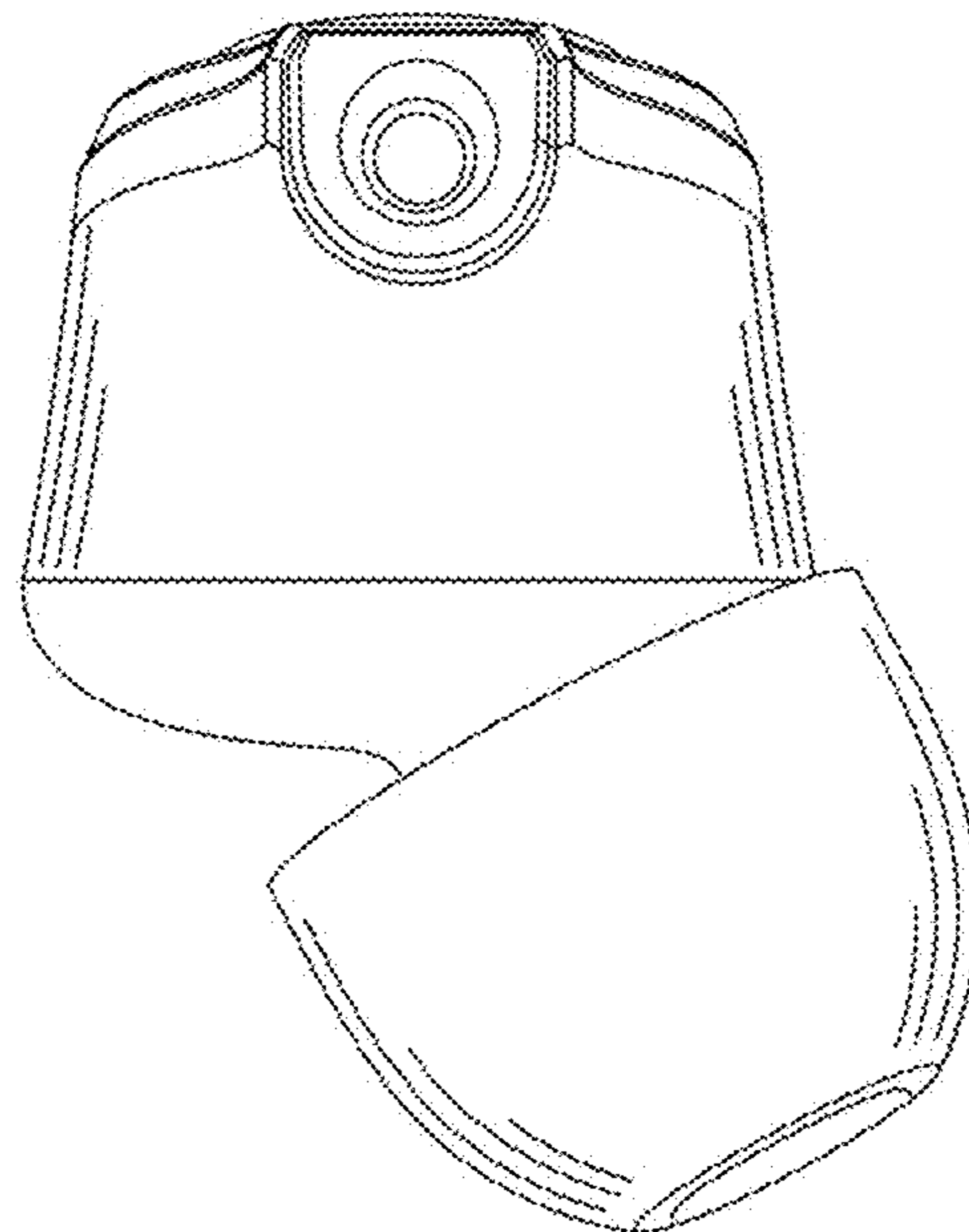


FIG. 6

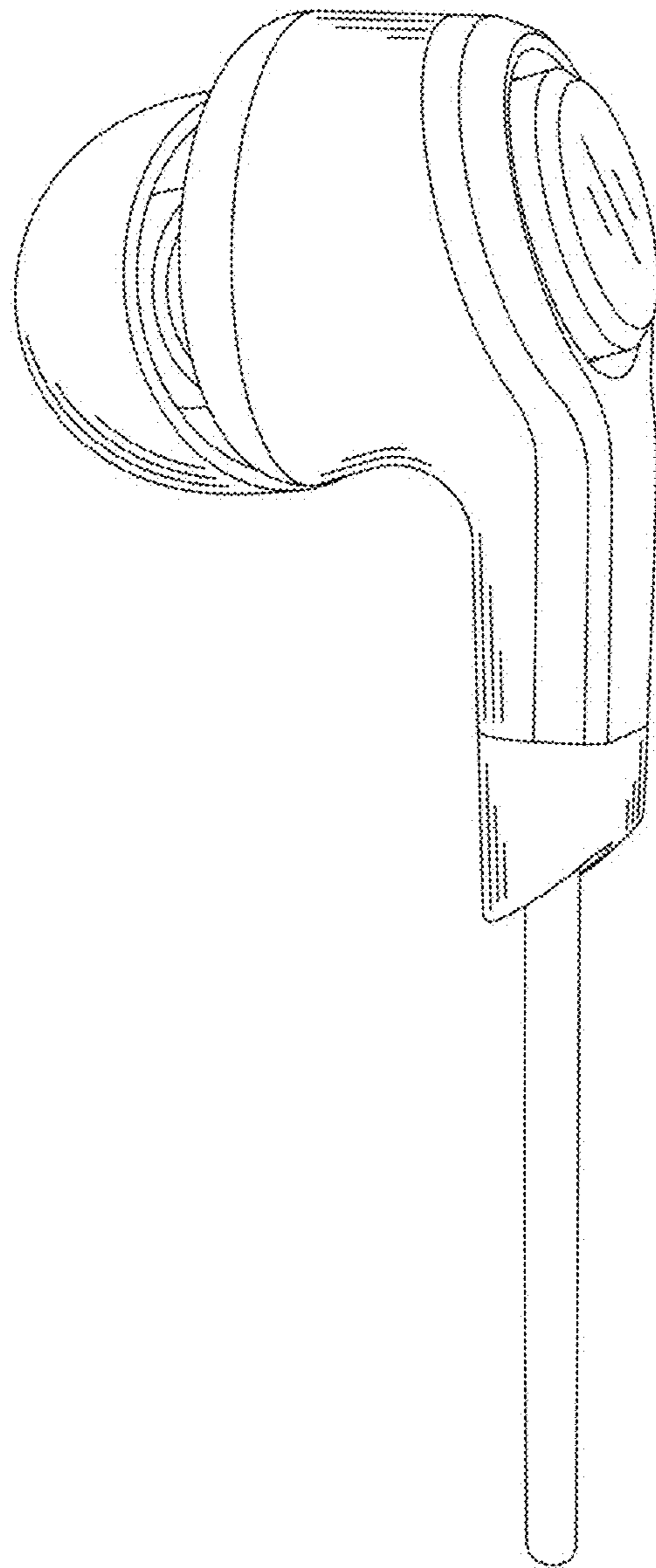


FIG. 7

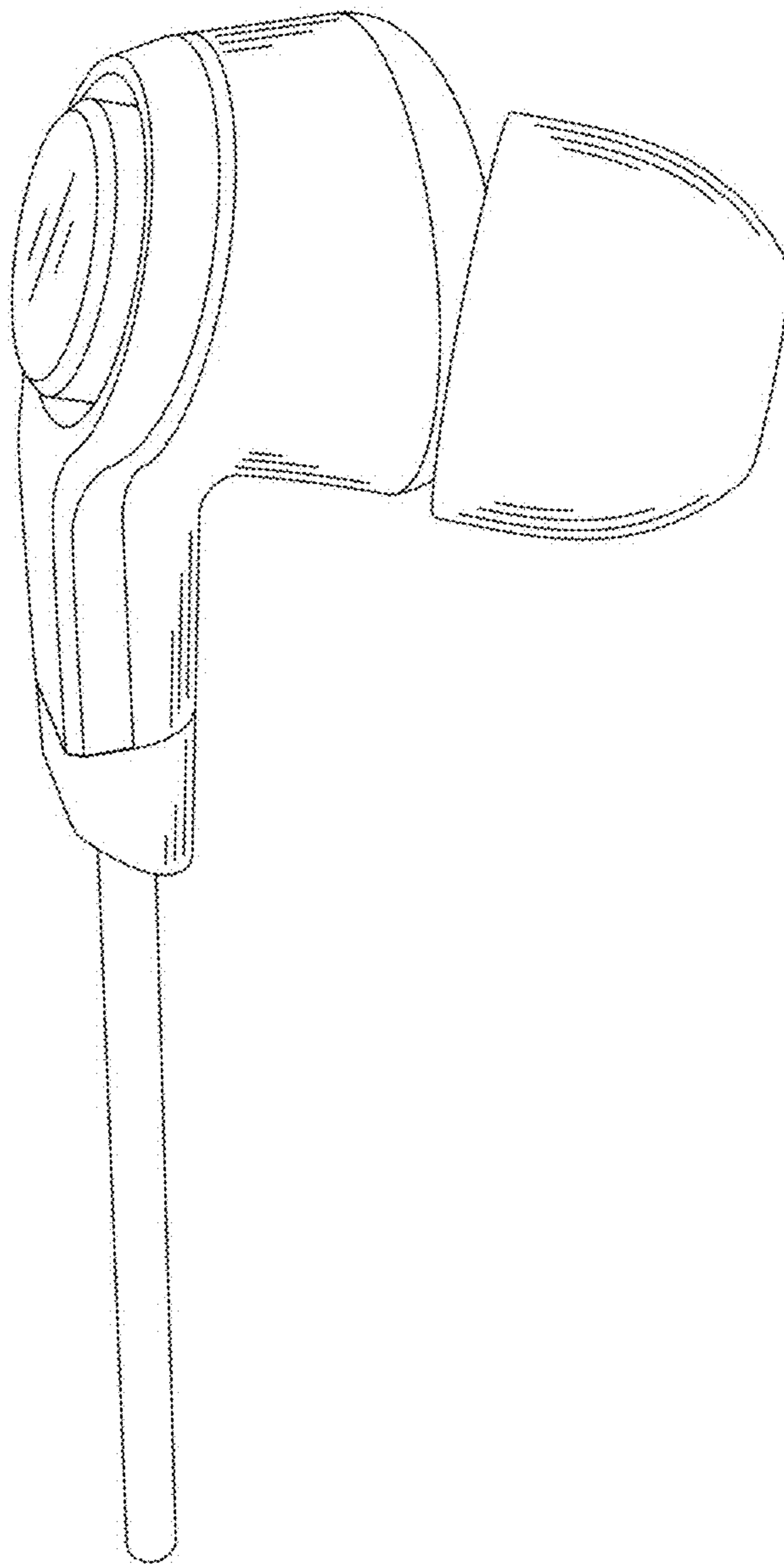


FIG. 8