



US00D762615S

(12) **United States Design Patent**  
**Kim**

(10) **Patent No.:** **US D762,615 S**  
(45) **Date of Patent:** **\*\* Aug. 2, 2016**

- (54) **DIARY CASE**
- (71) Applicant: **Younghoon Kim**, Seoul (KR)
- (72) Inventor: **Younghoon Kim**, Seoul (KR)
- (73) Assignee: **MERCURY CORPORATION, LTD.**,  
Yeongdeungpo-Gu, Seoul (KR)
- (\*\*) Term: **14 Years**
- (21) Appl. No.: **29/501,625**
- (22) Filed: **Sep. 5, 2014**
- (51) **LOC (10) Cl.** ..... **14-03**
- (52) **U.S. Cl.**  
USPC ..... **D14/203.4**
- (58) **Field of Classification Search**  
USPC ..... D14/496, 401, 435, 474, 483, 217, 137,  
D14/138, 160, 168, 356; 345/156, 169,  
345/173-179, 905; 715/727-729, 864;  
710/1, 5, 8; 713/1, 600; 455/11, 1.7,  
455/73, 344-348, 93, 95, 3.01-3.06, 550.1,  
455/573.1; 370/342-344; 369/1, 2, 6, 12;  
463/43-47; 273/148 B  
CPC ..... G06F 1/1616; G06F 1/1605; H04B 1/00;  
H04B 1/38; H04B 7/173  
See application file for complete search history.

- 6,353,529 B1 \* 3/2002 Cies ..... G06F 1/1616  
248/917
- 6,684,089 B1 \* 1/2004 Lee ..... G06F 1/1626  
361/724
- D512,073 S \* 11/2005 Rodarte ..... D14/203.4
- D616,405 S \* 5/2010 Anand ..... D14/138 AB
- 7,898,565 B2 \* 3/2011 Moengen ..... G06F 1/1605  
348/14.01
- D681,000 S \* 4/2013 Koh ..... D14/203.4
- D685,341 S \* 7/2013 Cetera ..... D14/203.4
- D685,342 S \* 7/2013 Cetera ..... D14/203.4

\* cited by examiner

*Primary Examiner* — Prabhakar Deshmukh  
(74) *Attorney, Agent, or Firm* — John K. Park; Park Law Firm

(57) **CLAIM**  
The ornamental design for a diary case, as shown and described.

**DESCRIPTION**

FIG. 1 is a perspective view of a diary case showing my new design;  
FIG. 2 is a front view thereof;  
FIG. 3 is a rear view thereof;  
FIG. 4 is a left view thereof;  
FIG. 5 is a right side view thereof;  
FIG. 6 is a top plan view thereof;  
FIG. 7 is a bottom view thereof;  
FIG. 8 is a front view thereof, shown in an open position;  
FIG. 9 is a front perspective view thereof; and,  
FIG. 10 is a perspective view thereof, shown in an alternate position.  
The broken lines represent stitch lines.

- (56) **References Cited**  
U.S. PATENT DOCUMENTS
- 5,229,757 A \* 7/1993 Takamiya ..... F16M 11/10  
235/145 R
- 5,383,138 A \* 1/1995 Motoyama ..... E05C 1/16  
361/679.27
- D412,900 S \* 8/1999 Utsugi ..... D14/132
- 5,953,052 A \* 9/1999 McNelley ..... G02B 27/2292  
313/478

**1 Claim, 5 Drawing Sheets**

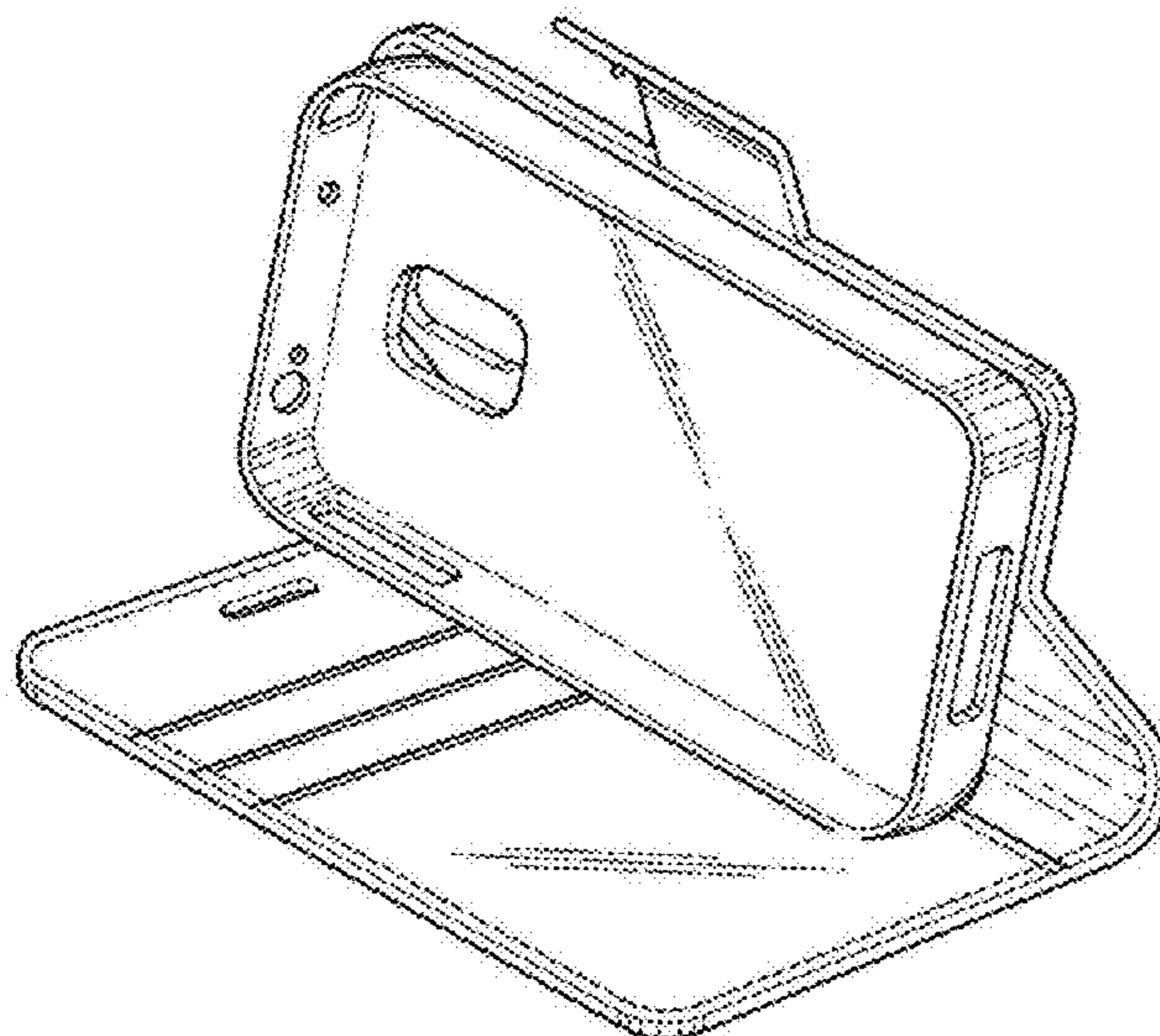


FIG. 1

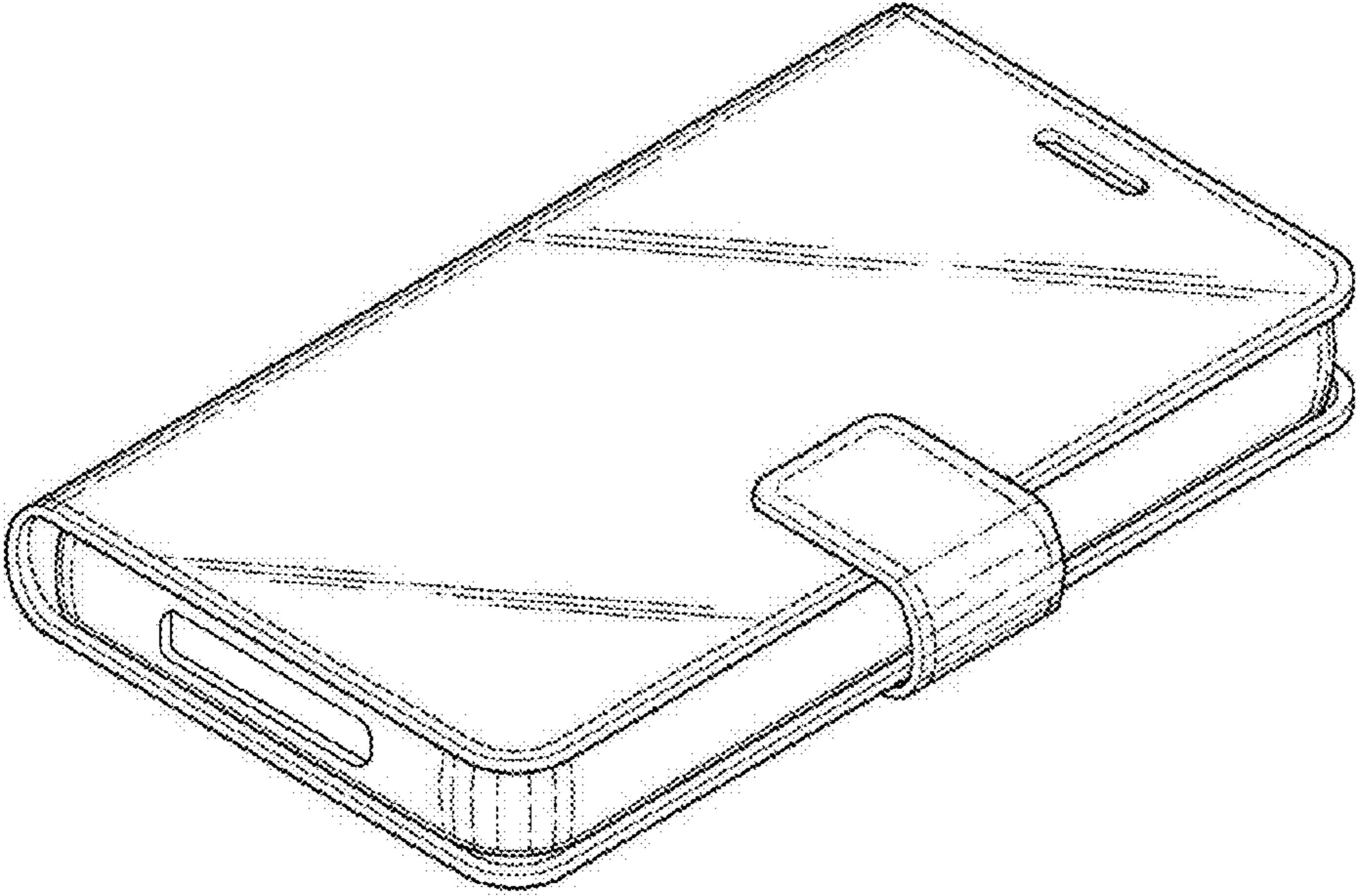


FIG. 2

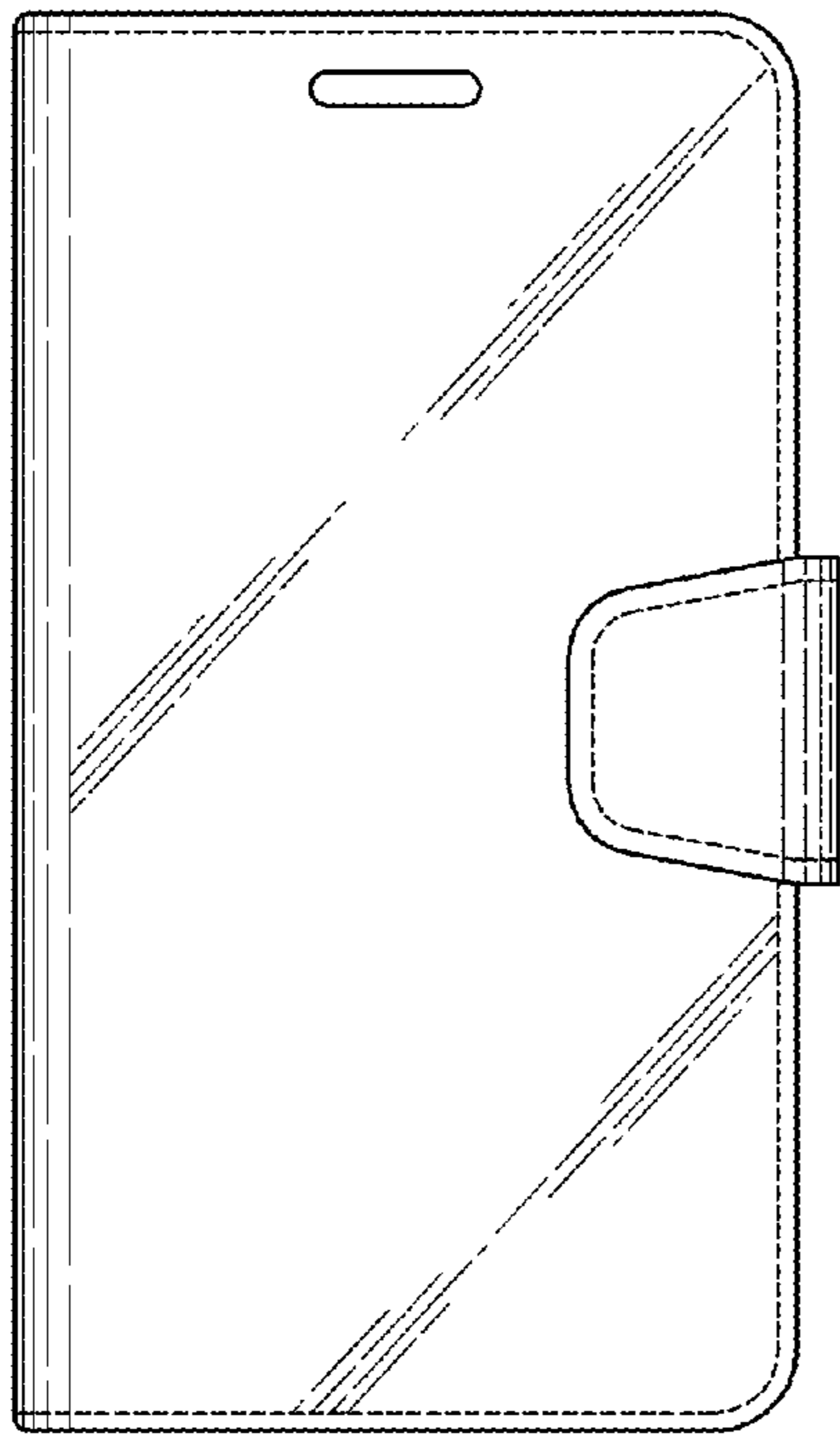


FIG. 3

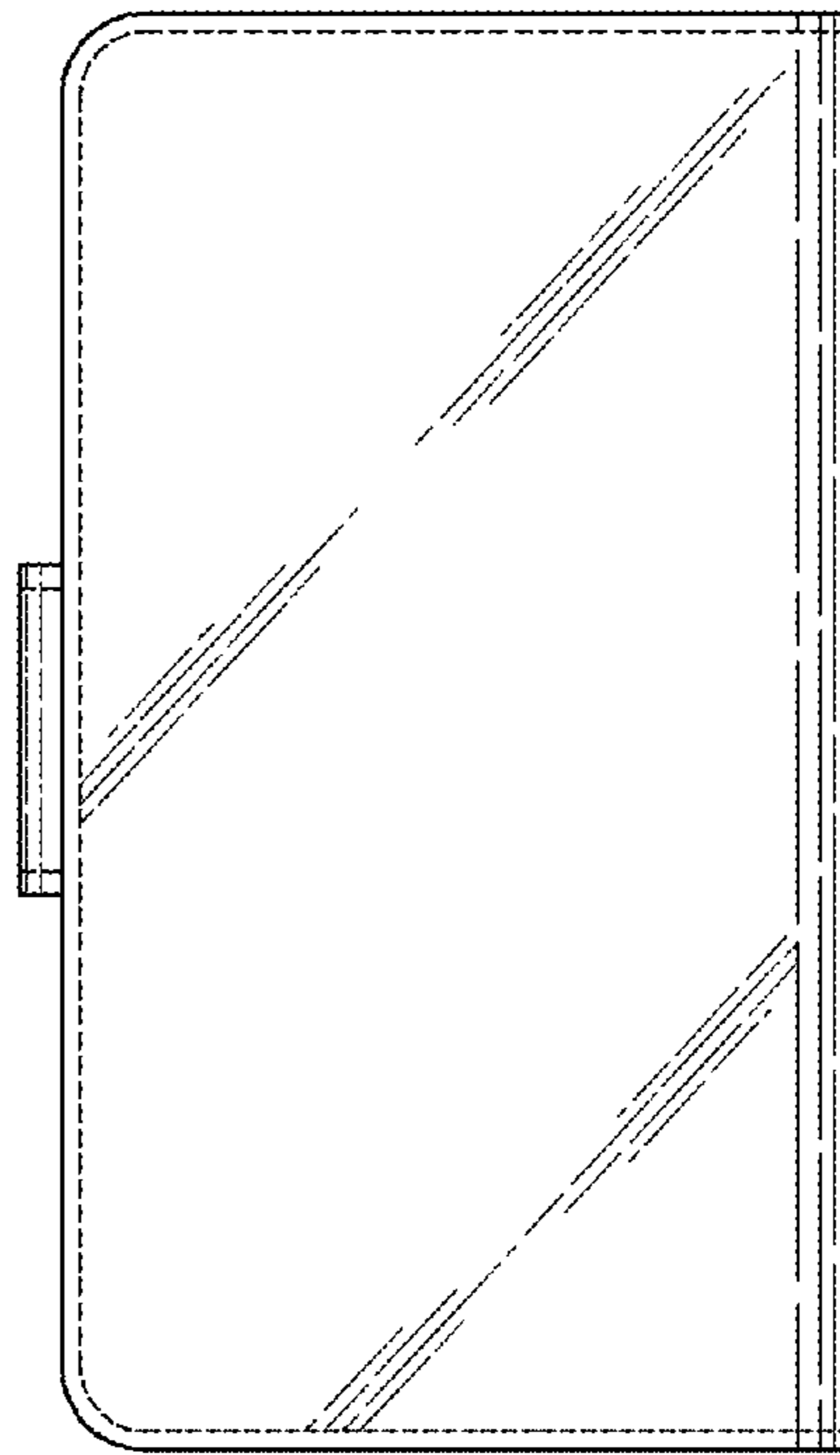


FIG. 4



FIG. 5

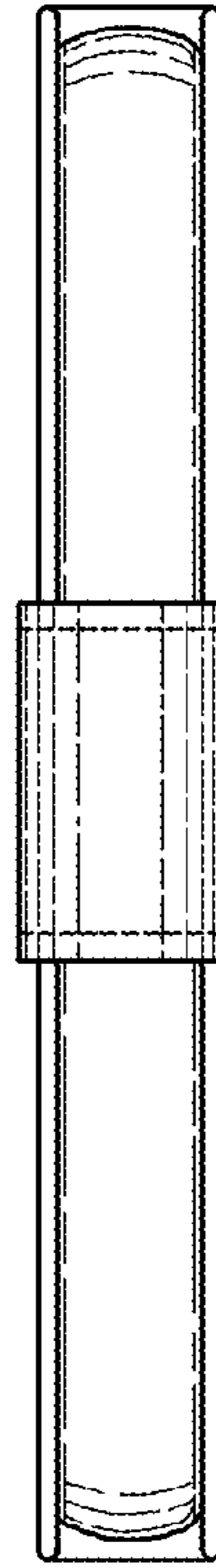


FIG. 6



FIG. 7

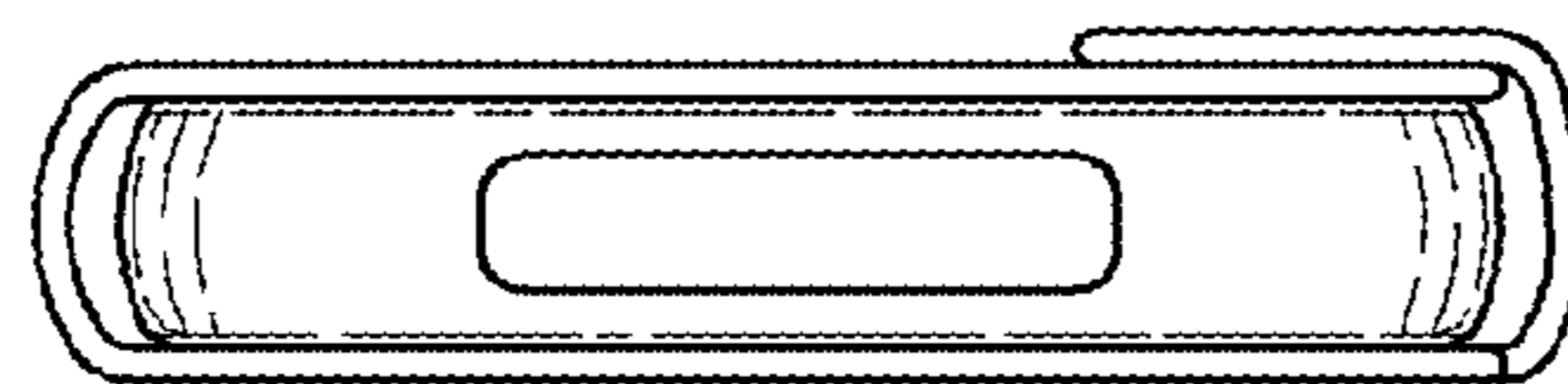


FIG. 8

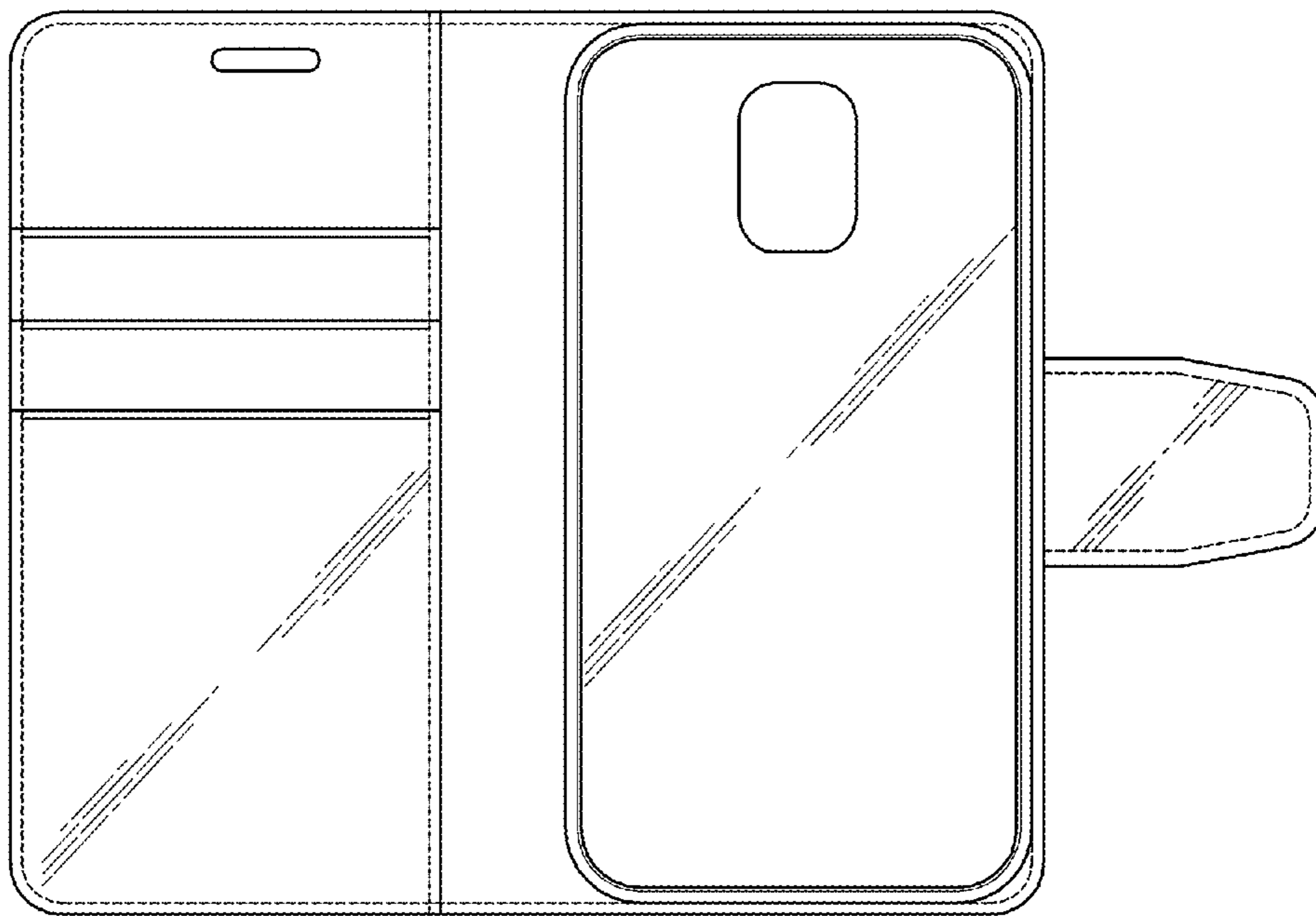


FIG. 9

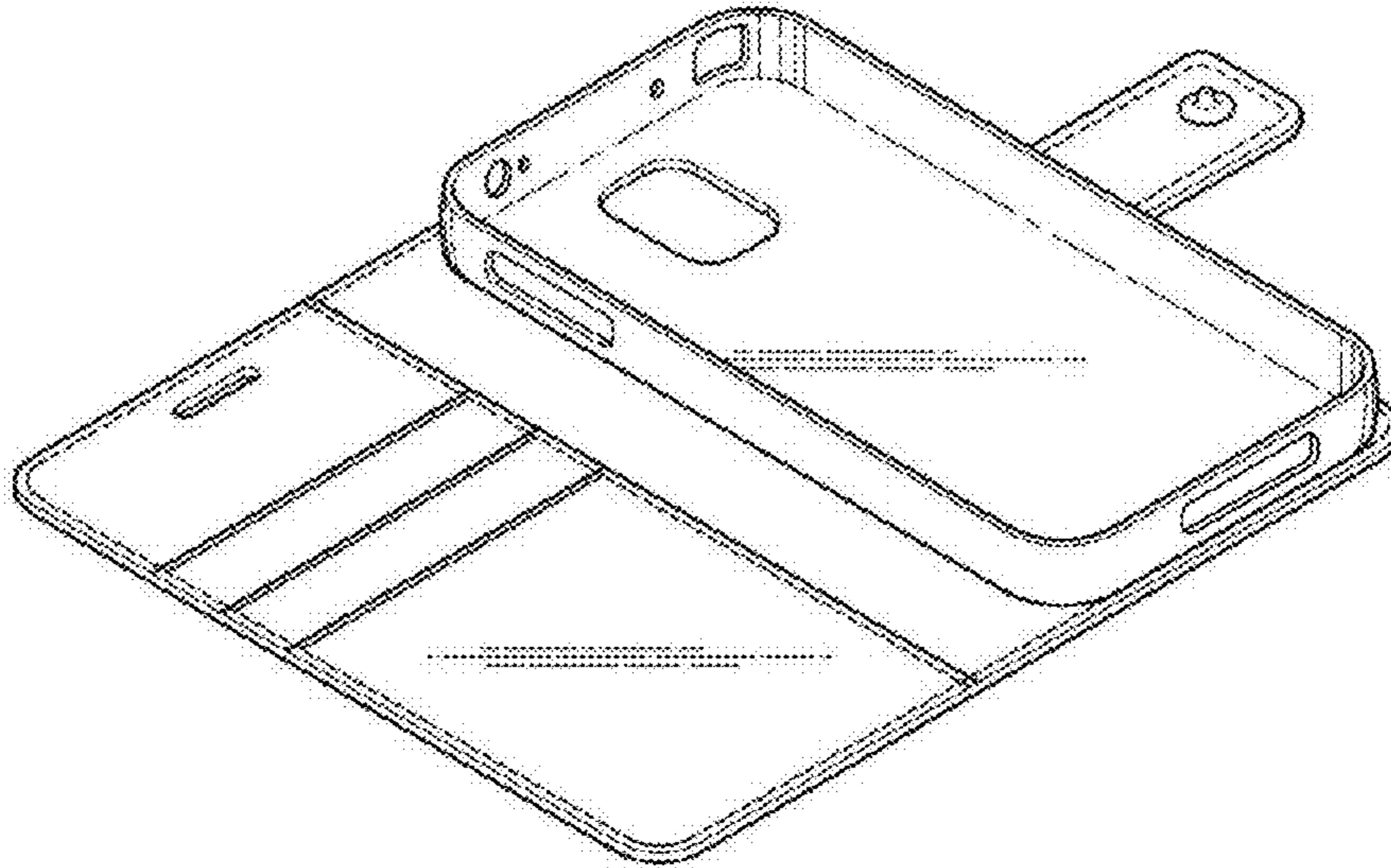


FIG. 10

