



US00D762614S

(12) **United States Design Patent**
Matsui et al.

(10) **Patent No.:** **US D762,614 S**

(45) **Date of Patent:** **** Aug. 2, 2016**

(54) **WIRELESS RECEIVER**

(71) Applicants: **Hideki Matsui**, Tokyo (JP); **Yuki Otomo**, Tokyo (JP); **Jin Kuramoto**, Tokyo (JP)

(72) Inventors: **Hideki Matsui**, Tokyo (JP); **Yuki Otomo**, Tokyo (JP); **Jin Kuramoto**, Tokyo (JP)

(73) Assignee: **Kabushiki Kaisha Audio-Technica**, Tokyo (JP)

(**) Term: **14 Years**

(21) Appl. No.: **29/511,375**

(22) Filed: **Dec. 10, 2014**

(30) **Foreign Application Priority Data**

Jun. 11, 2014 (JP) 2014-012610

(51) **LOC (10) Cl.** **14-03**

(52) **U.S. Cl.**
USPC **D14/188**

(58) **Field of Classification Search**
USPC D14/125, 137, 188, 300, 356-359, 230,
D14/240; D16/237; D21/324, 333; 455/561,
455/575.1, 128, 347, 348, 351
CPC H04B 1/03; H04B 1/034; H04B 1/06;
H04B 1/08; H04B 1/082; H04B 1/086;
H04B 1/088; H04B 1/20; H04B 1/207;
H04B 1/38; H04M 1/0214; H04M 1/0262;
H04M 1/0297; H04M 1/04
See application file for complete search history.

(56) **References Cited**

U.S. PATENT DOCUMENTS

5,761,612 A * 6/1998 Read H04B 1/088
455/351
D404,736 S * 1/1999 Alvarez D14/225

D417,871 S * 12/1999 Hisatsune D14/188
D433,642 S * 11/2000 Bauman D10/104.1
D437,311 S * 2/2001 Nam D14/227
D441,744 S * 5/2001 Miyazaki D14/137
D449,590 S * 10/2001 Lewis D14/188
D489,369 S * 5/2004 Sasaki D14/358
D491,166 S * 6/2004 Hakoda D14/214
D496,346 S * 9/2004 Fuss D14/188
D583,814 S * 12/2008 Maiers D14/356
D585,439 S * 1/2009 Ching D14/300
D587,708 S * 3/2009 Yoshida D14/358

(Continued)

Primary Examiner — Susan Bennett Hattan

Assistant Examiner — Marie Fast Horse

(74) *Attorney, Agent, or Firm* — Whitham, Curtis & Cook, P.C.

(57) **CLAIM**

We claim the ornamental design for a wireless receiver, as shown and described.

DESCRIPTION

FIG. 1 is a perspective view from a front side of the wireless receiver;

FIG. 2 is a perspective view from a rear side of the wireless receiver;

FIG. 3 is a front view of the wireless receiver;

FIG. 4 is a rear view of the wireless receiver;

FIG. 5 is a left side view of the wireless receiver;

FIG. 6 is a right side view of the wireless receiver;

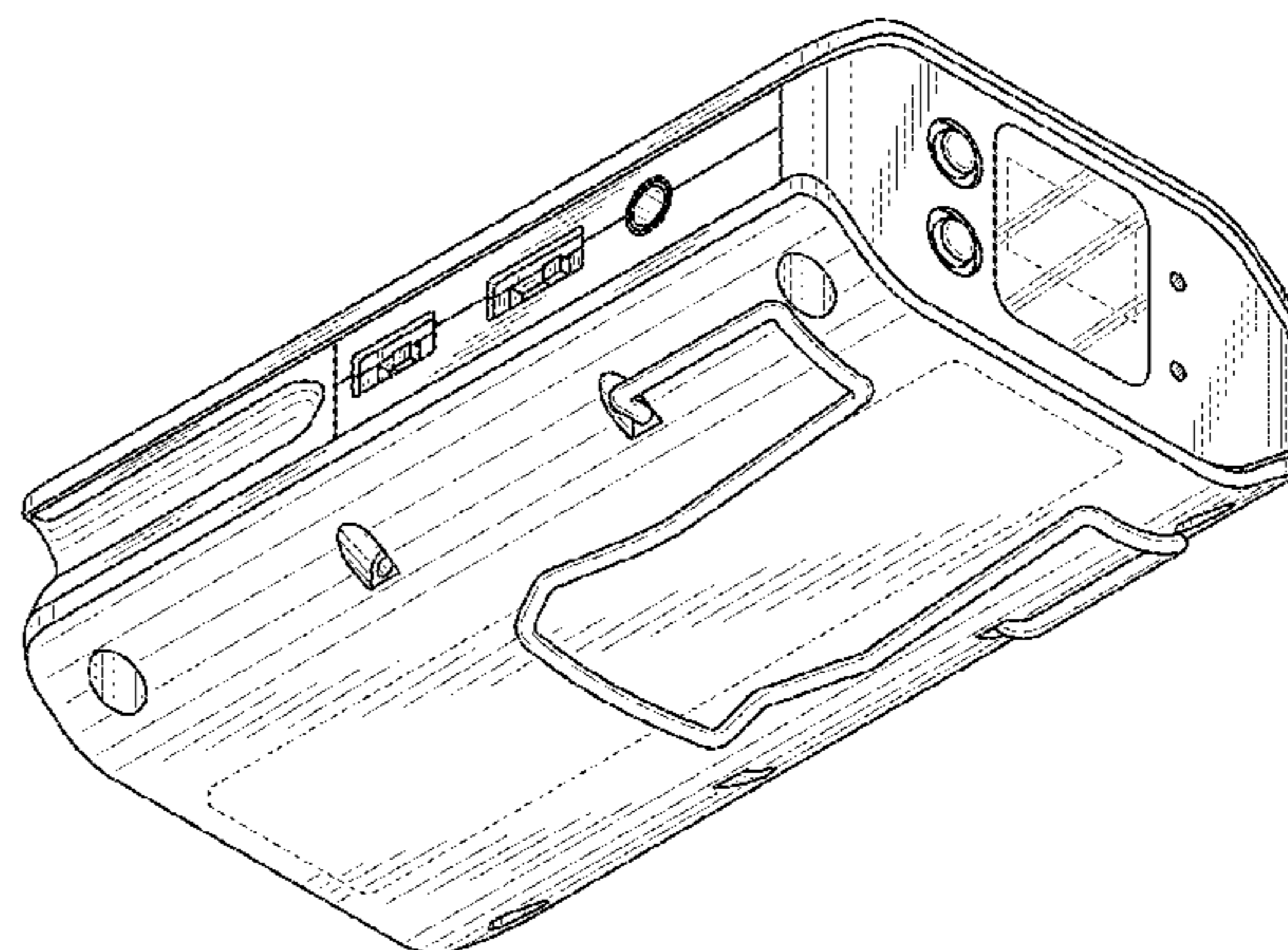
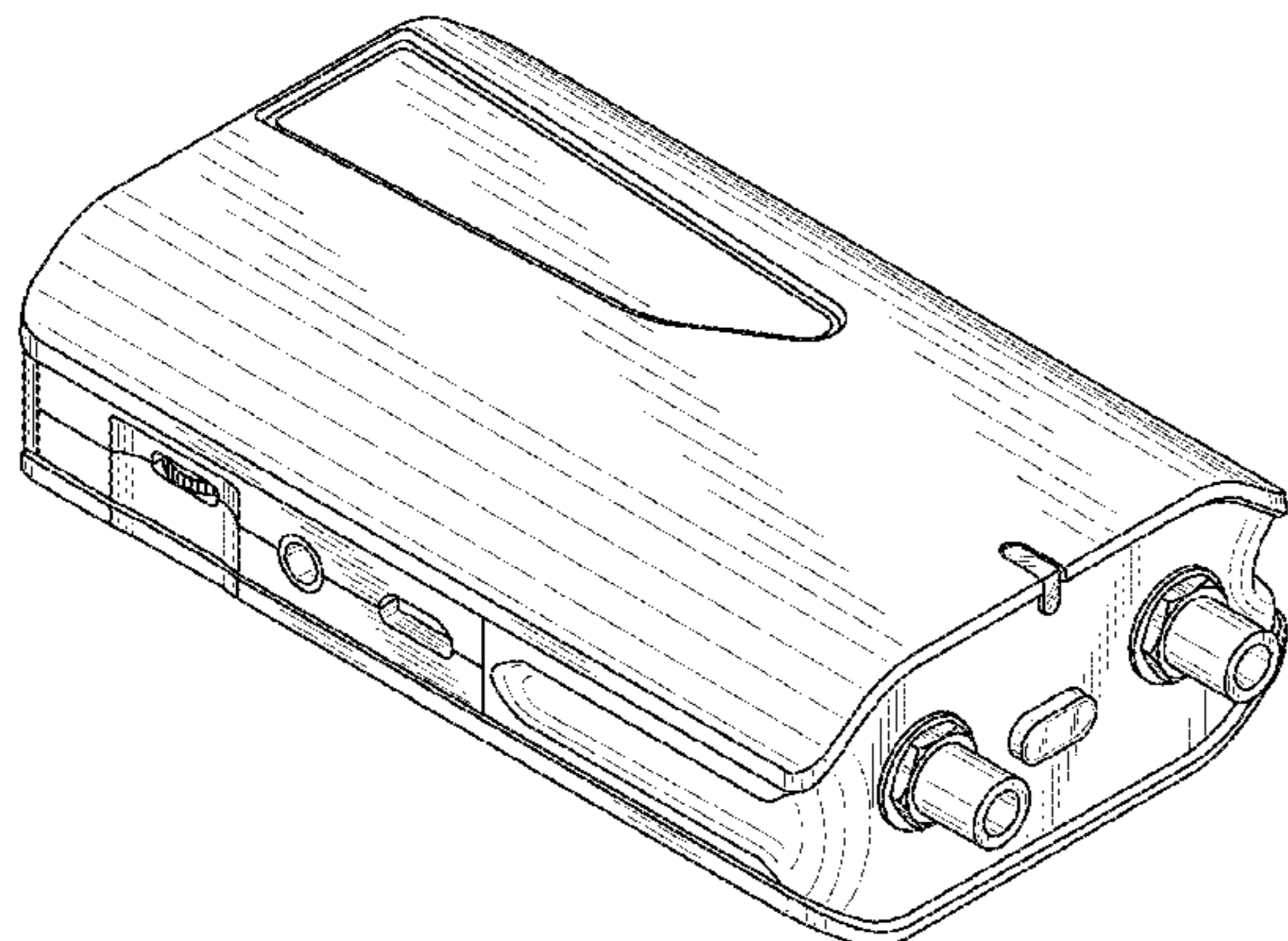
FIG. 7 is a top plan view of the wireless receiver;

FIG. 8 is a bottom plan view of the wireless receiver; and,

FIG. 9 is perspective view of the wireless receiver shown in a state in use with attached antennas and a shoe mount for attachment to an article such as a camera or tripod.

The broken lines in FIG. 9 showing the antennas and the shoe mount depict environment and form no part of the claim. The broken lines in FIGS. 2, 4, and 6 depict portions of the wireless receiver that form no part of the claim.

1 Claim, 9 Drawing Sheets



(56)

References Cited

U.S. PATENT DOCUMENTS

| | | | | | | | | | |
|--------------|---------|---------------|-------|---------|-------------------|---------|---------|-------|------------|
| D600,232 S * | 9/2009 | Lee | | D14/137 | D733,708 S * | 7/2015 | Chen | | D14/240 |
| D602,892 S * | 10/2009 | Devenish, III | | D14/137 | D734,752 S * | 7/2015 | Chen | | D14/420 |
| D608,339 S * | 1/2010 | Sanders | | D14/188 | D749,665 S * | 2/2016 | Jannard | | D16/237 |
| D625,719 S * | 10/2010 | Carroll | | D14/240 | 2007/0070208 A1 * | 3/2007 | Yahagi | | H04N 9/802 |
| D640,237 S * | 6/2011 | Lim | | D14/214 | | | | | 348/207.99 |
| D673,564 S * | 1/2013 | Milliff | | D14/358 | 2008/0253602 A1 * | 10/2008 | Yamaki | | H04B 1/034 |
| | | | | | | | | | 381/365 |
| | | | | | 2012/0021686 A1 * | 1/2012 | Chiang | | H04B 7/005 |
| | | | | | | | | | 455/41.3 |

* cited by examiner

FIG. 1

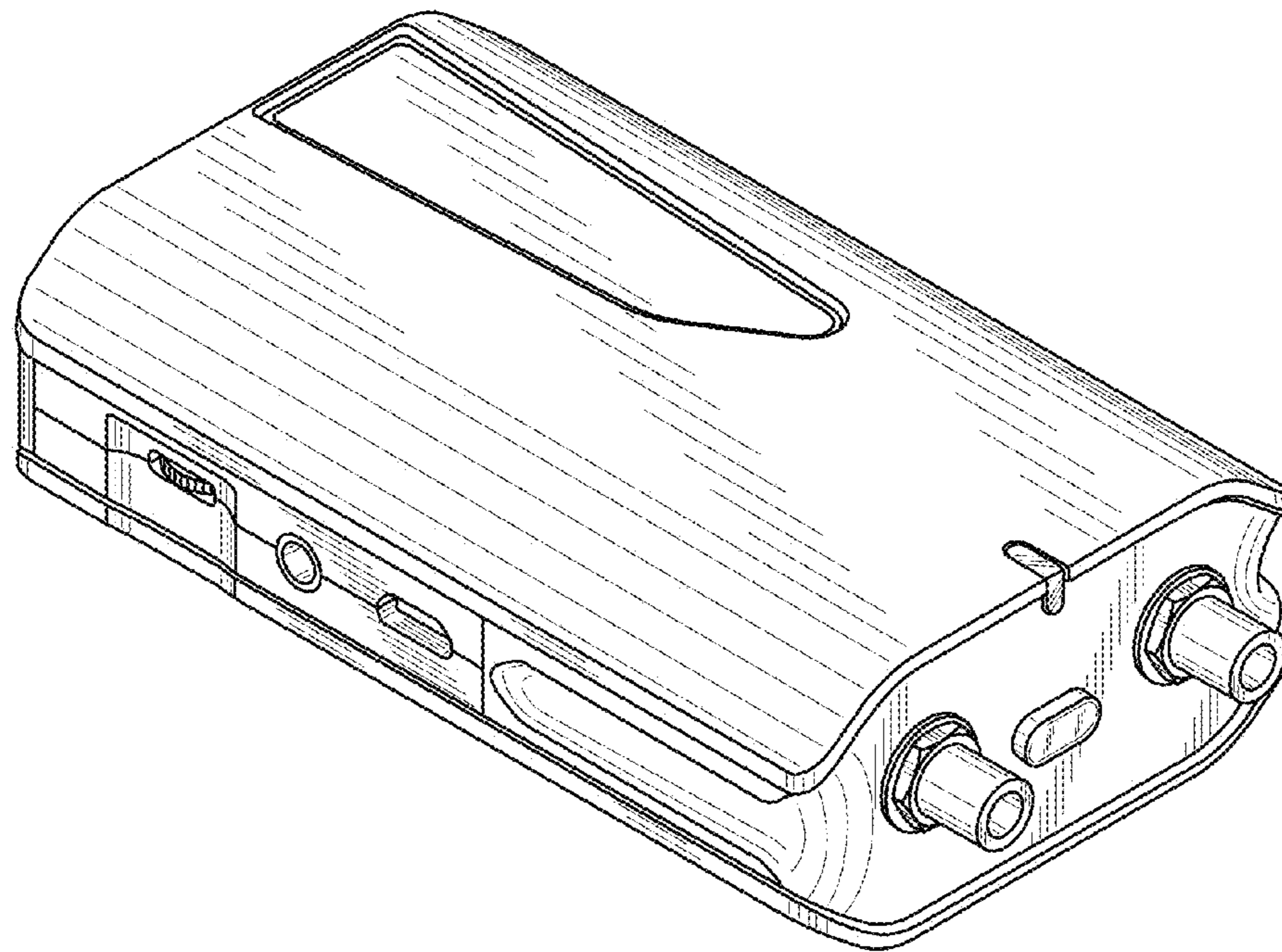


FIG. 2

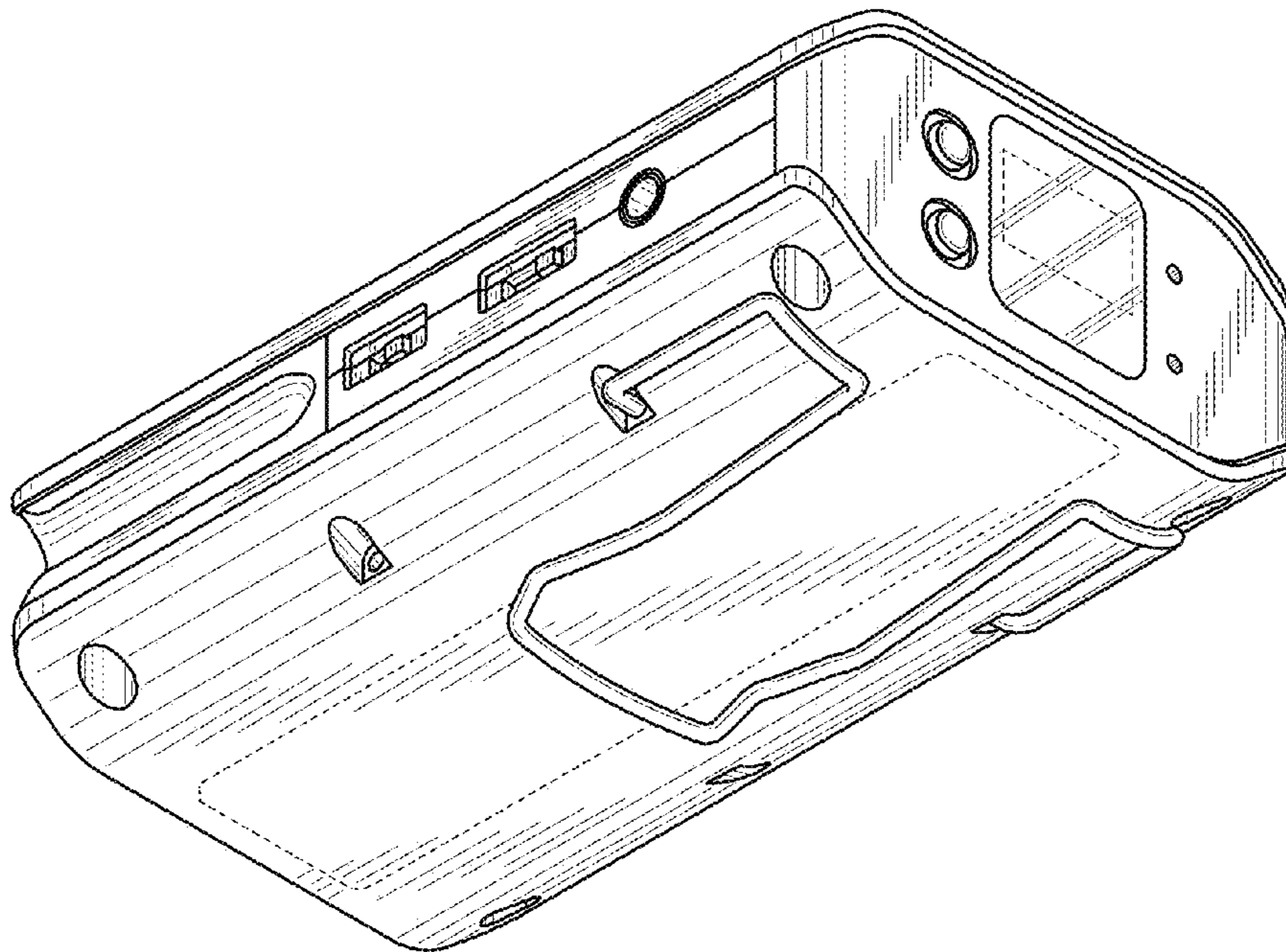


FIG. 3

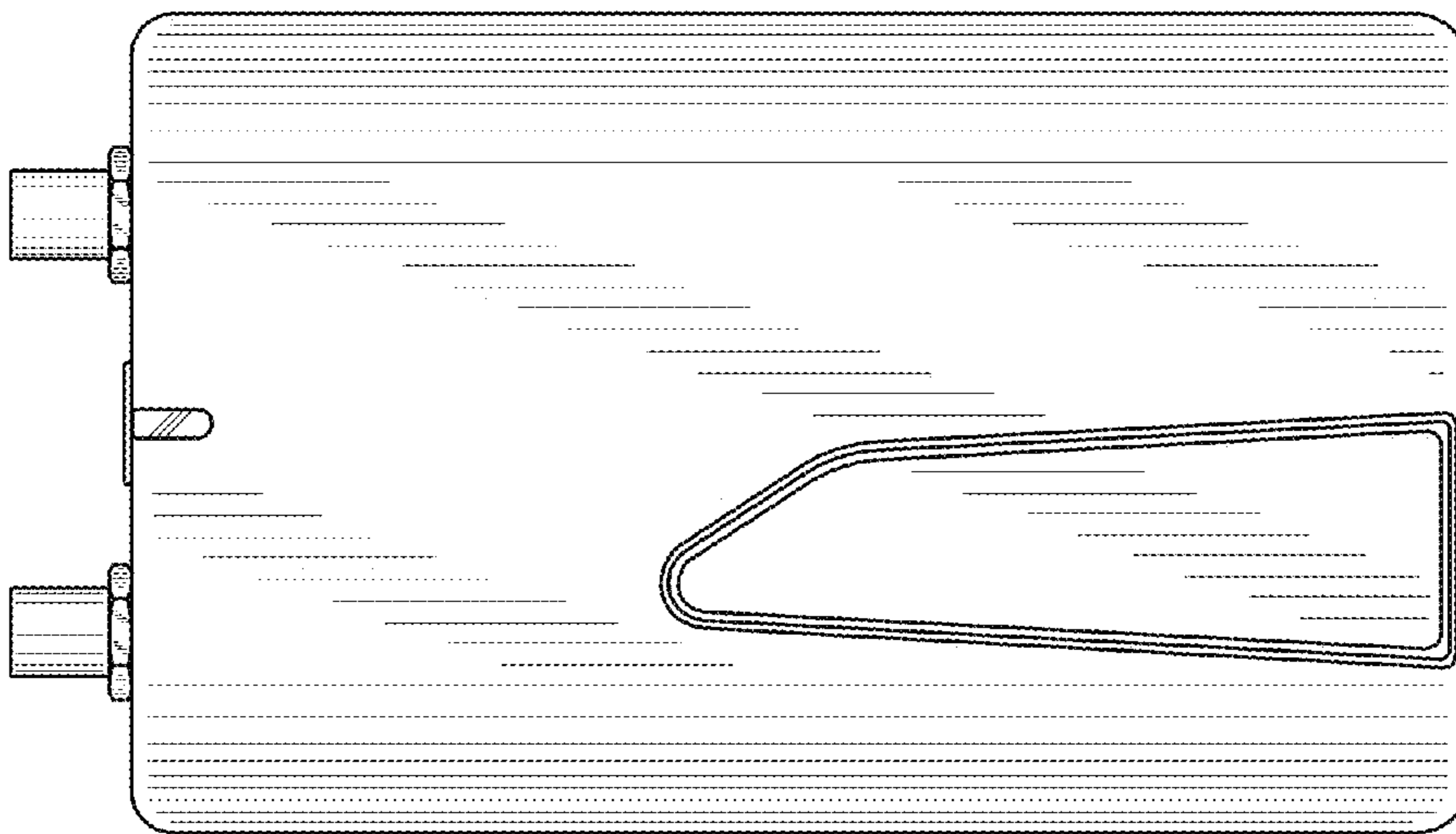


FIG. 4

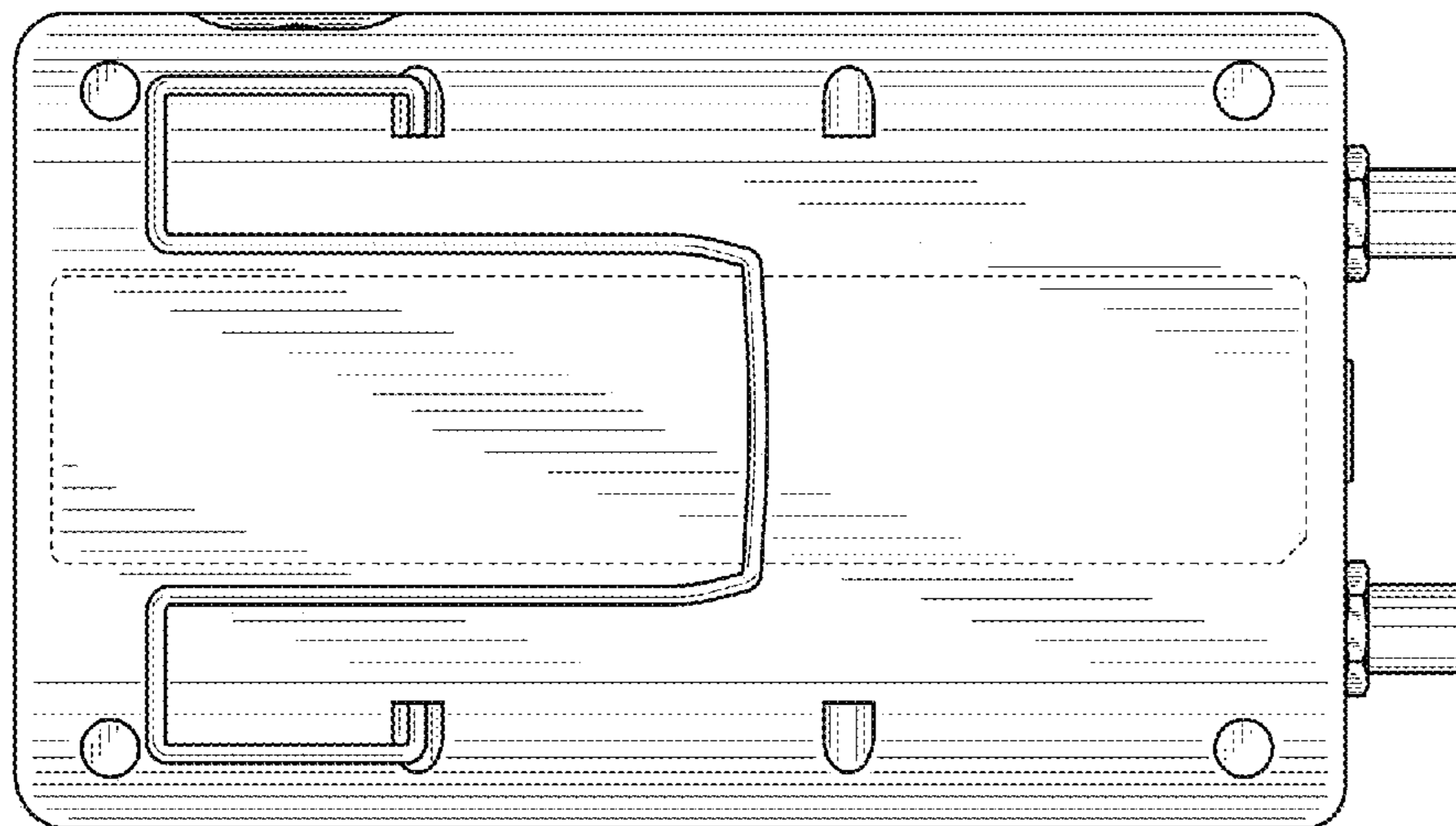


FIG. 5

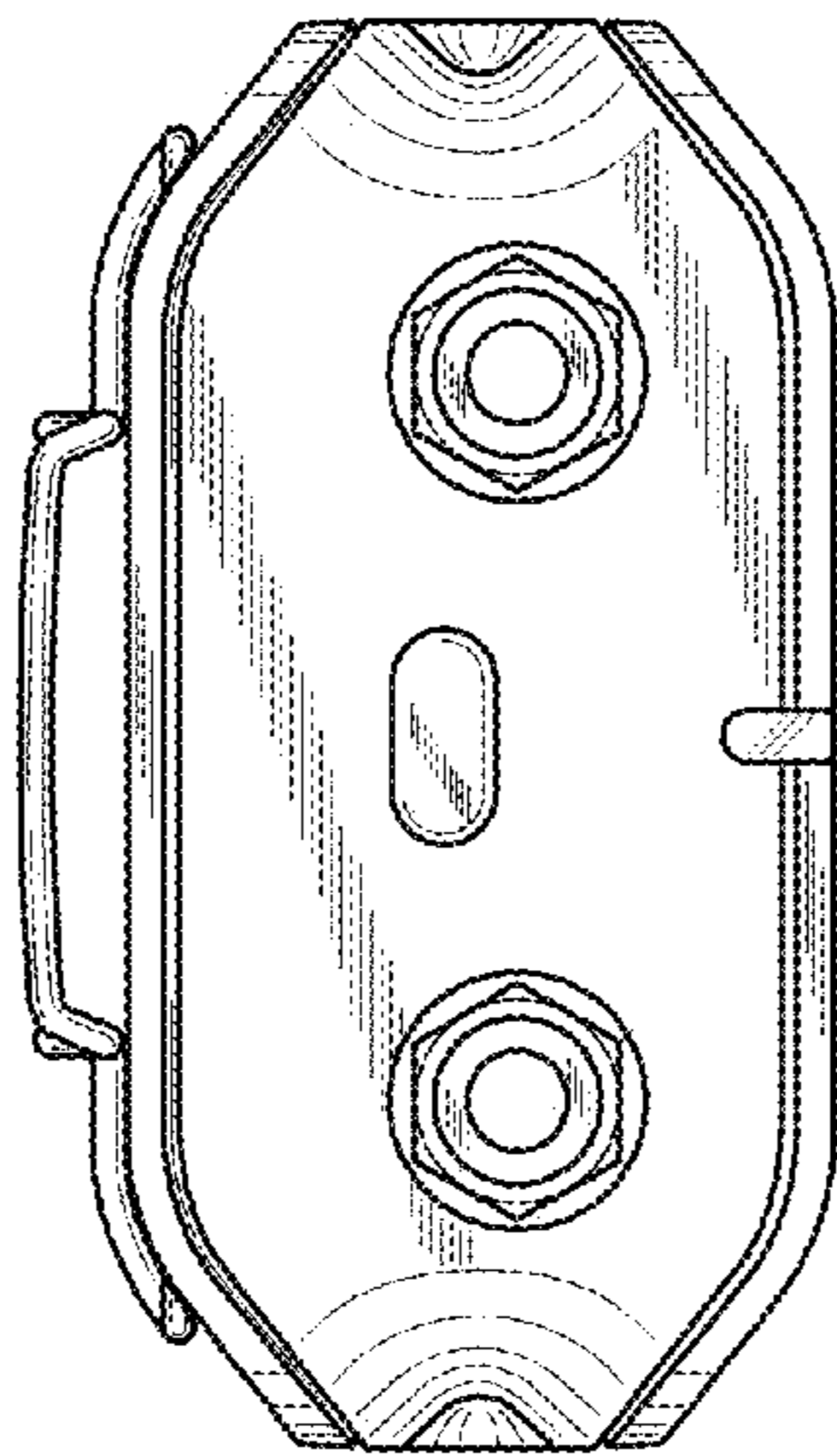


FIG. 6

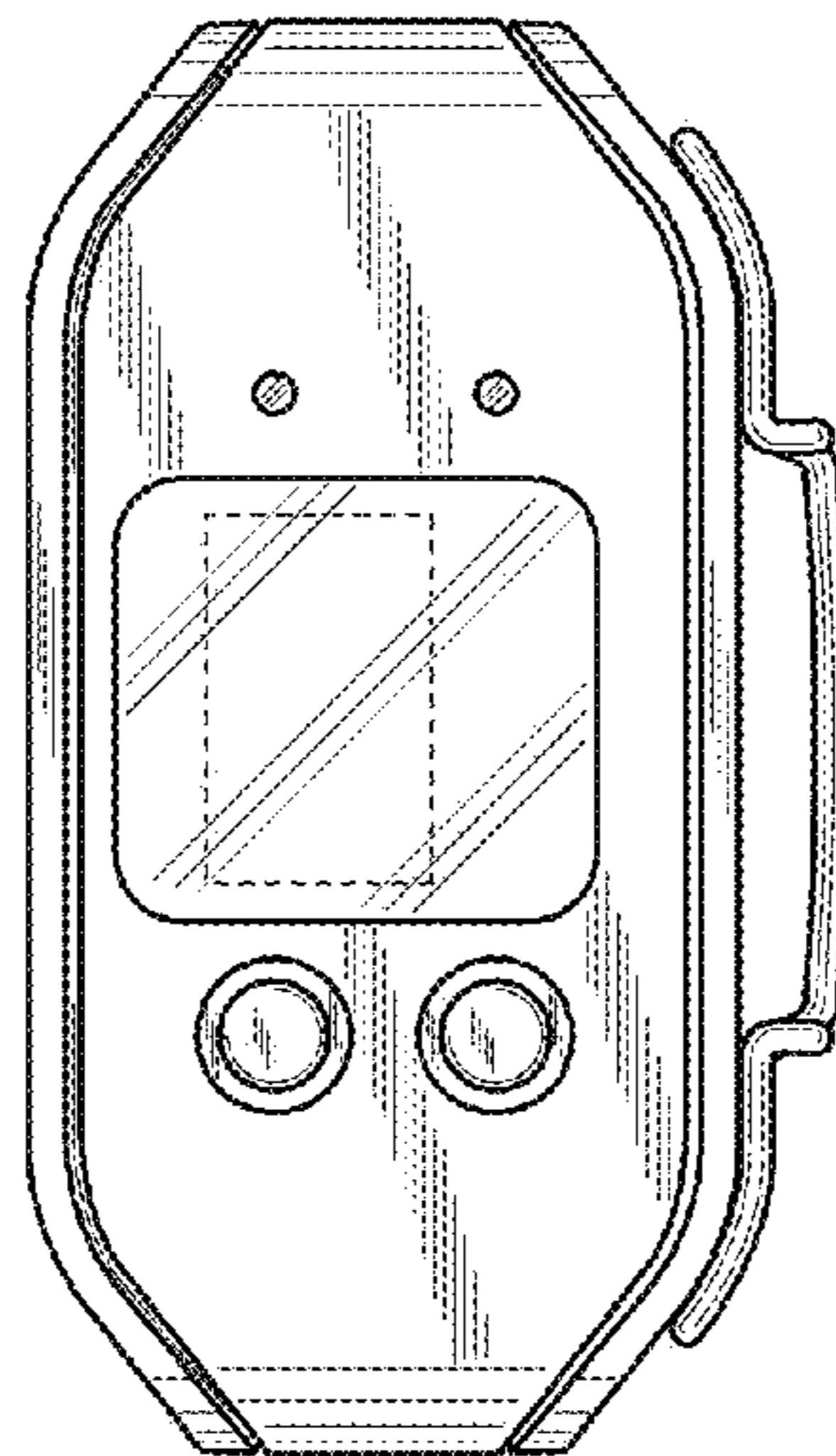


FIG. 7

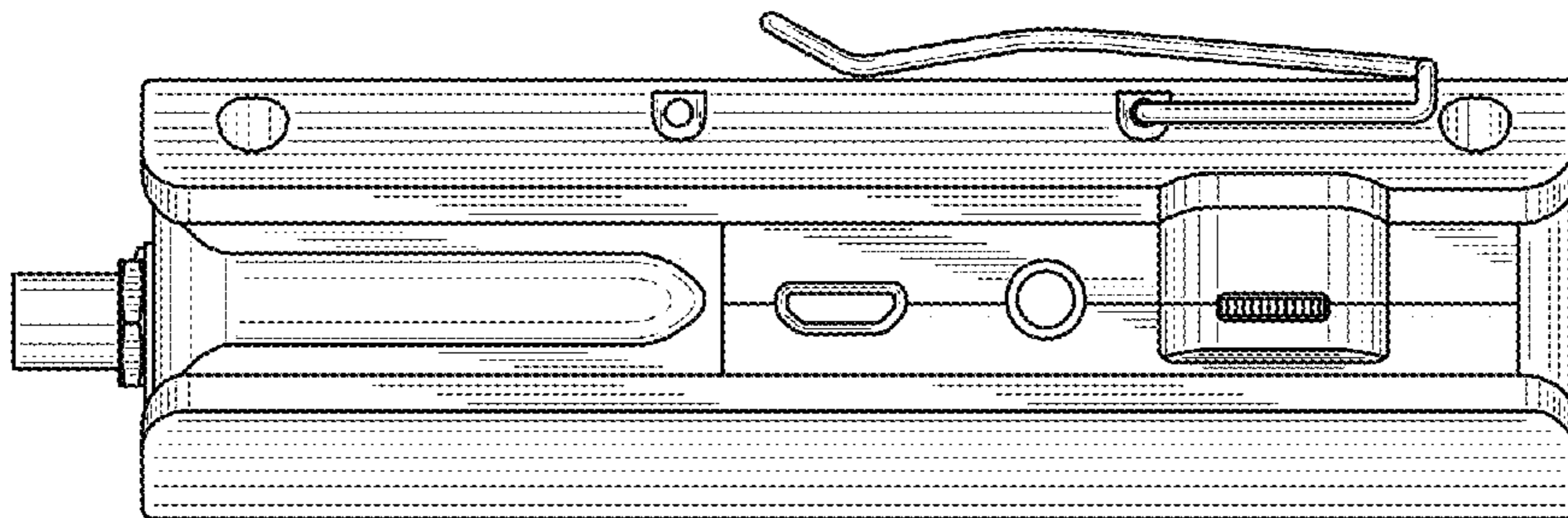


FIG. 8

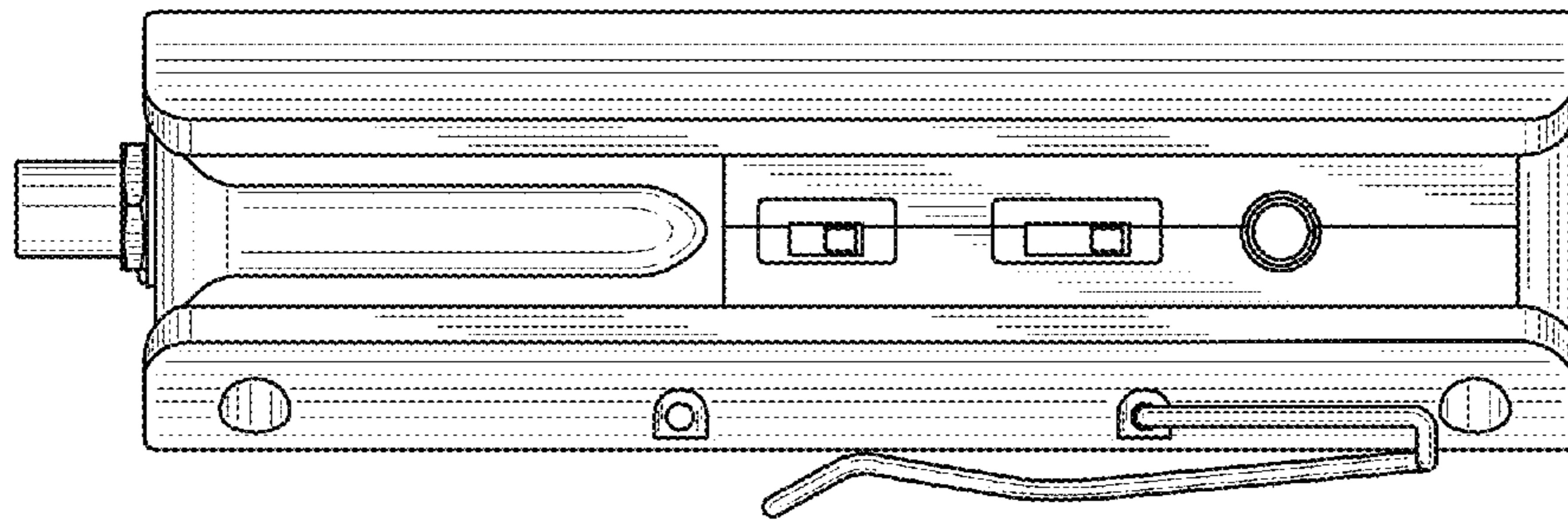


FIG. 9

