

US00D762613S

(12) **United States Design Patent**  
**Garneau et al.**

(10) **Patent No.:** **US D762,613 S**

(45) **Date of Patent:** **\*\* Aug. 2, 2016**

(54) **JUKEBOX**

CPC ..... A63F 9/24; A63F 13/00; A63F 17/00;  
A63F 19/00

(71) Applicant: **TouchTunes Music Corporation**, New York, NY (US)

See application file for complete search history.

(72) Inventors: **Charles Garneau**, Bois-des-Fillion (CA); **Benoit Tessier**, Boisbriand (CA); **Ed Rivera**, New York, NY (US); **Michael Tooker**, Montreal (CA); **Jinseok Hwang**, Palisades Park, NJ (US); **Jonas Damon**, New York, NY (US)

(56) **References Cited**

U.S. PATENT DOCUMENTS

D146,176 S	1/1947	Fuller
D152,903 S	3/1949	Principe
3,193,296 A	7/1965	Rockola
D240,266 S	6/1976	O'Neil et al.
4,336,935 A	6/1982	Goldfarb
D280,747 S	9/1985	Stasney
D316,858 S	5/1991	Gobindram

(Continued)

OTHER PUBLICATIONS

Design U.S. Appl. No. 29/433,240, filed Sep. 27, 2012, Garneau et al.

(Continued)

(73) Assignee: **TouchTunes Music Corporation**, New York, NY (US)

(\*\*) Term: **15 Years**

*Primary Examiner* — Prabhakar Deshmukh

(21) Appl. No.: **29/527,622**

(74) *Attorney, Agent, or Firm* — Nixon & Vanderhye, P.C.

(22) Filed: **May 20, 2015**

**Related U.S. Application Data**

(62) Division of application No. 29/486,234, filed on Mar. 27, 2014, now Pat. No. Des. 733,088, which is a division of application No. 29/461,532, filed on Jul. 24, 2013, now Pat. No. Des. 704,160, which is a division of application No. 29/446,838, filed on Feb. 27, 2013, now Pat. No. Des. 689,461, which is a division of application No. 29/433,240, filed on Sep. 27, 2012, now abandoned, which is a division of application No. 29/401,854, filed on Sep. 16, 2011, now Pat. No. Des. 670,675.

(57) **CLAIM**

The ornamental design for a jukebox, as shown and described.

(51) **LOC (10) Cl.** ..... **14-01**

(52) **U.S. Cl.**

USPC ..... **D14/172; D21/325**

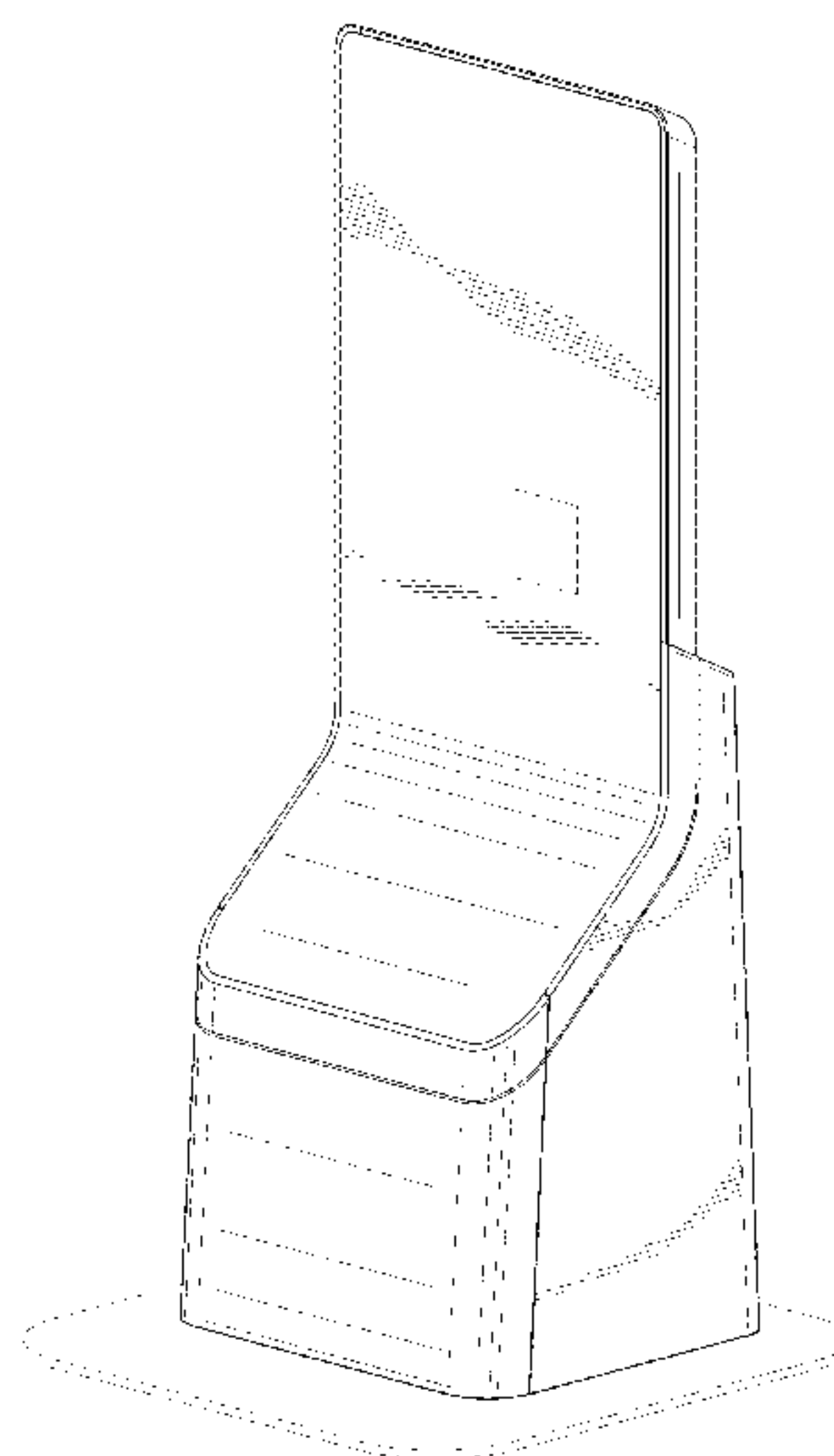
(58) **Field of Classification Search**

USPC ..... D14/172, 173, 203.1–203.7, 496, 188, D14/265; D21/324, 325, 369; 273/148 B; 463/1, 28–35, 46, 47; 369/1, 6–12, 369/24.01, 30.06, 30.07, 30.08, 30.23; 710/1; 711/100, 111

**DESCRIPTION**

FIG. 1 is a front perspective view of a jukebox showing our new design;  
FIG. 2 is a front elevational view thereof;  
FIG. 3 is a rear elevational view thereof;  
FIG. 4 is a top plan view thereof;  
FIG. 5 is a bottom plan view thereof;  
FIG. 6 is a right side elevational view thereof;  
FIG. 7 is a left side elevational view thereof; and,  
FIG. 8 is a rear perspective view thereof.  
The broken lines represent environmental structure and form no part of the claimed design.

**1 Claim, 7 Drawing Sheets**



(56)

References Cited

U.S. PATENT DOCUMENTS

D324,240 S 2/1992 Huang  
 D328,202 S 7/1992 Tippit  
 D340,407 S 10/1993 Rahe et al.  
 5,331,614 A 7/1994 Ogawa et al.  
 D355,676 S 2/1995 Wilson  
 D356,079 S 3/1995 Oba  
 5,630,357 A 5/1997 Akiyama  
 5,651,681 A 7/1997 Chan  
 5,704,146 A 1/1998 Herring et al.  
 D390,843 S 2/1998 Rosen  
 5,771,778 A 6/1998 MacLean, IV  
 D397,335 S 8/1998 Matsushita  
 5,820,460 A \* 10/1998 Fulton ..... G07F 17/3293  
 463/13  
 D405,781 S 2/1999 Renk  
 D405,791 S 2/1999 Menke et al.  
 D419,606 S 1/2000 Toriyama  
 6,048,271 A 4/2000 Barcelou  
 D426,527 S 6/2000 Sakaguchi  
 6,079,985 A 6/2000 Wohl et al.  
 D428,062 S 7/2000 Hayashi  
 6,086,380 A 7/2000 Chu et al.  
 D439,931 S 4/2001 Yamaguchi  
 D442,152 S 5/2001 Roustaei  
 D449,346 S 10/2001 Gatto et al.  
 6,346,951 B1 2/2002 Mastronardi

6,430,117 B2 8/2002 Zimmer  
 6,508,707 B2 \* 1/2003 DeMar ..... G07F 17/3267  
 273/138.1  
 D475,029 S 5/2003 Nathan et al.  
 6,708,812 B2 3/2004 Greim  
 6,714,489 B2 3/2004 Kalis et al.  
 D494,188 S 8/2004 Huang  
 6,779,904 B1 8/2004 Van Dyk  
 D498,558 S 11/2004 Kwok  
 6,976,623 B1 12/2005 Mambakkam et al.  
 7,152,739 B1 12/2006 Burleson  
 D590,449 S 4/2009 Ishii et al.  
 D604,774 S \* 11/2009 De Viveiros Ortiz ..... D21/325  
 D616,414 S 5/2010 Nathan et al.  
 D617,389 S 6/2010 Wildner et al.  
 D619,659 S 7/2010 Damani  
 D629,382 S 12/2010 Nathan et al.  
 D642,553 S 8/2011 Nathan et al.  
 D654,470 S 2/2012 Nathan et al.  
 D665,375 S 8/2012 Garneau et al.  
 D670,675 S 11/2012 Garneau et al.  
 D704,160 S 5/2014 Garneau et al.

OTHER PUBLICATIONS

Design U.S. Appl. No. 29/446,838, filed Feb. 27, 2013, Garneau et al.  
 Design U.S. Appl. No. 29/461,532, filed Jul. 24, 2013, Garneau et al.  
 Design U.S. Appl. No. 29/486,234, filed Mar. 27, 2015, Garneau et al.

\* cited by examiner

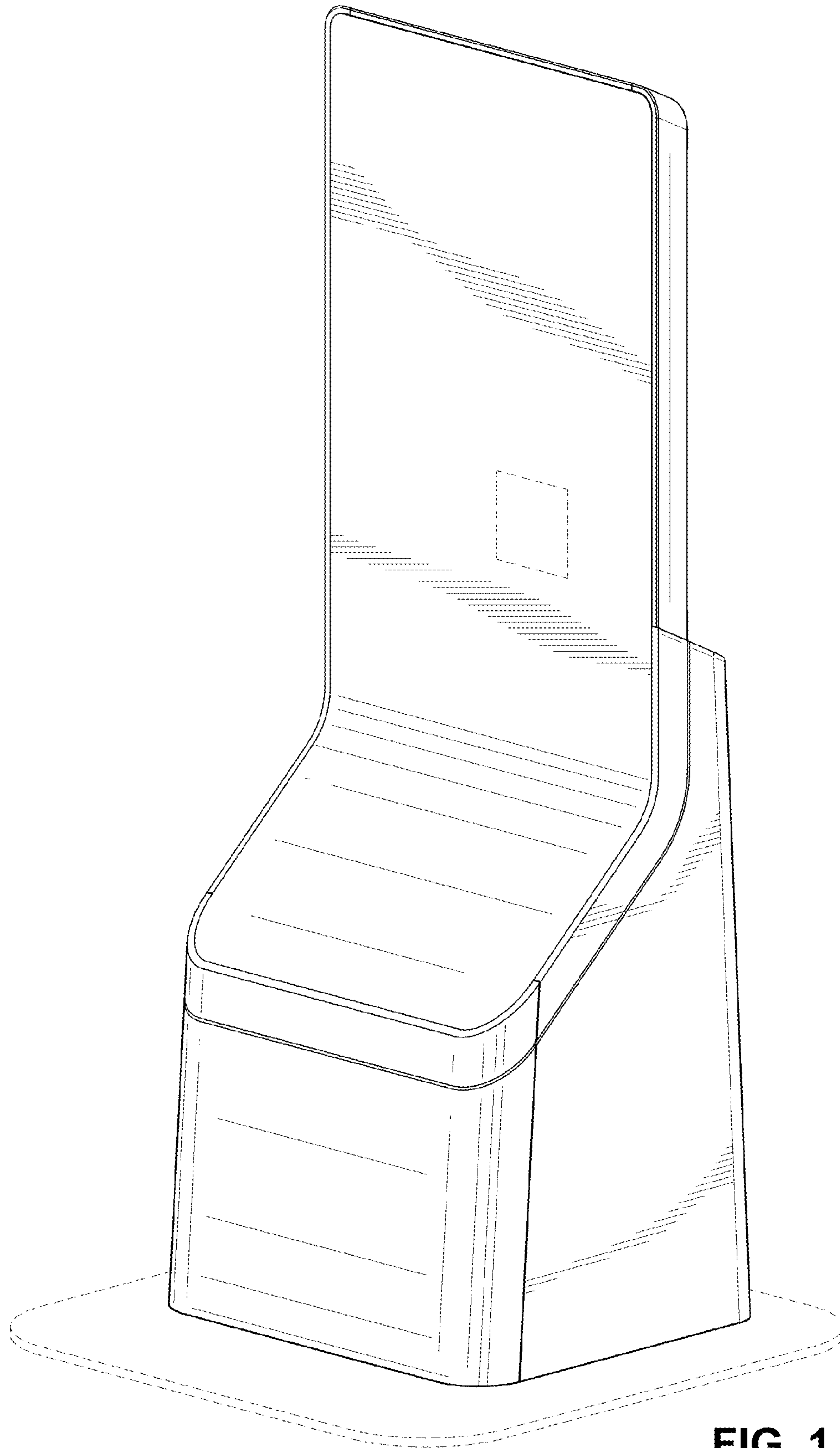


FIG. 1

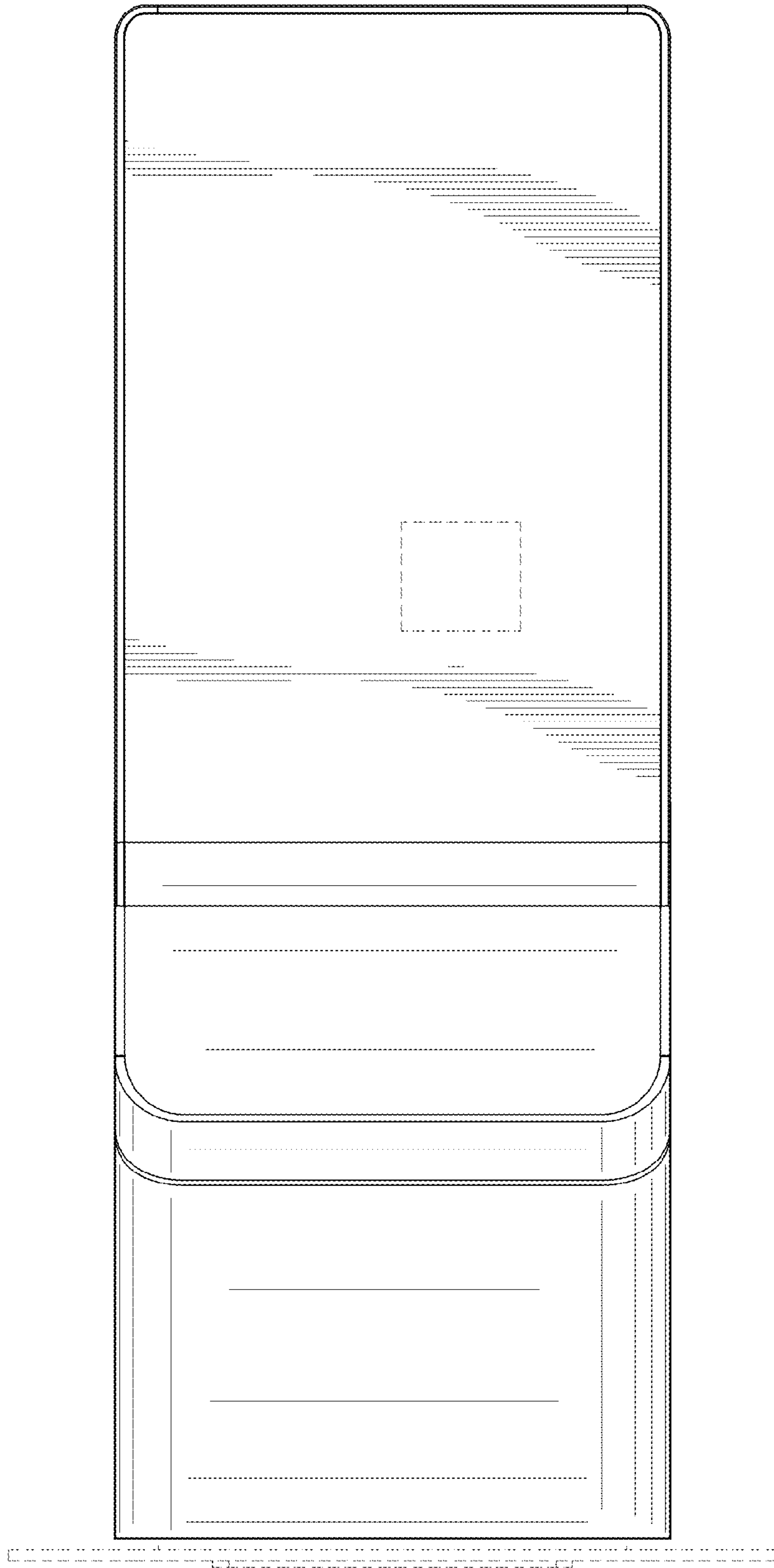


FIG. 2

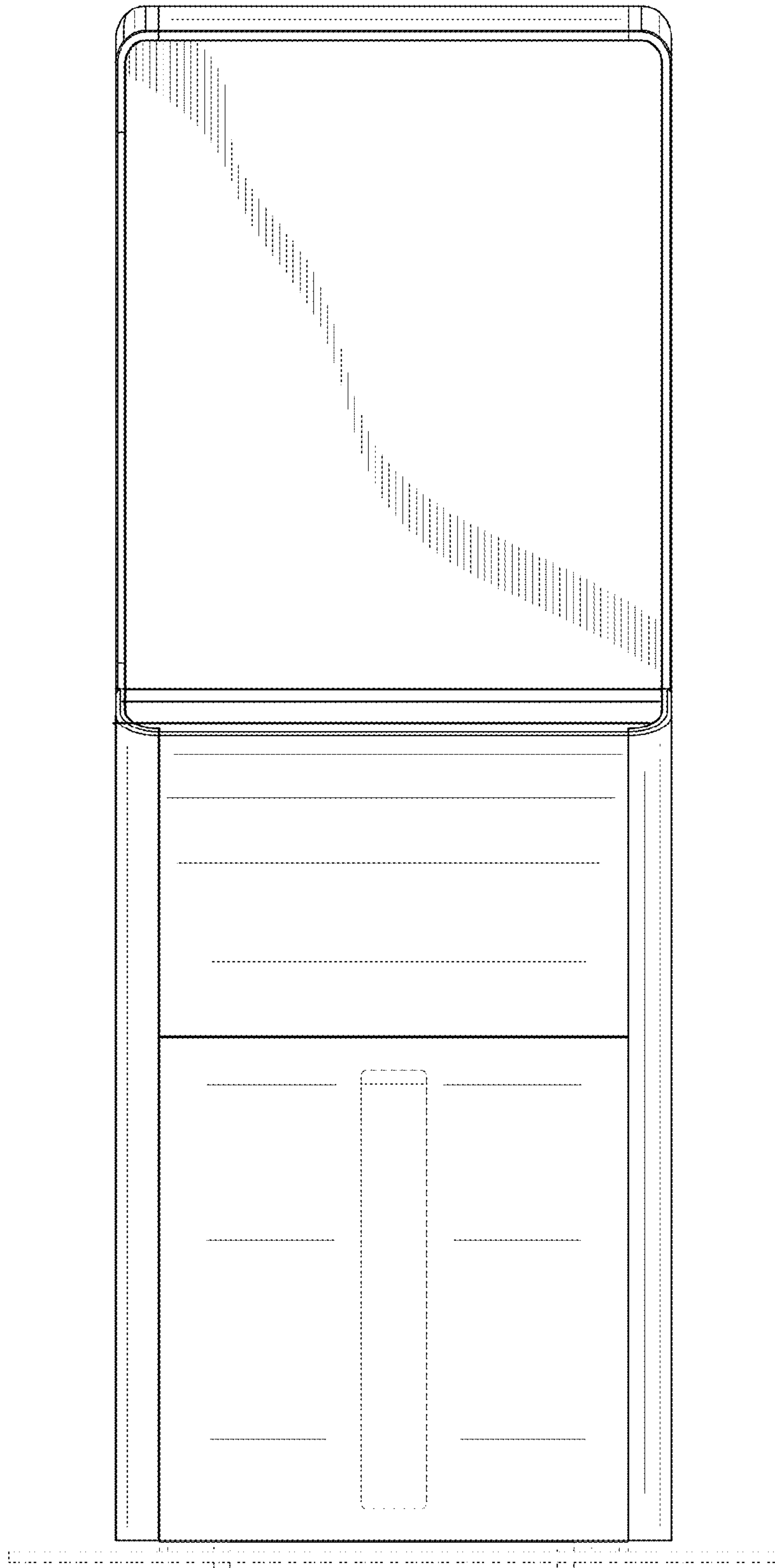
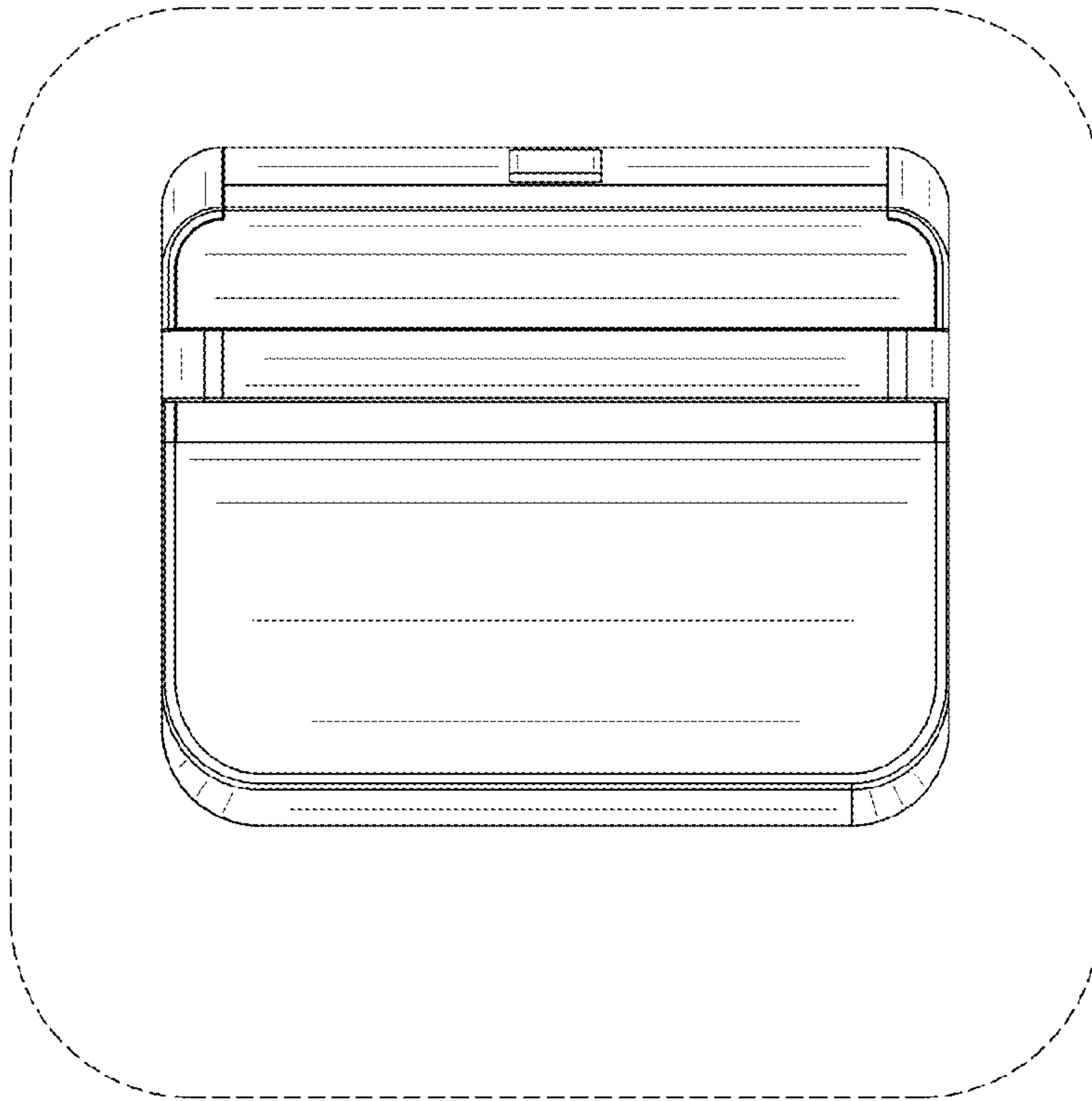
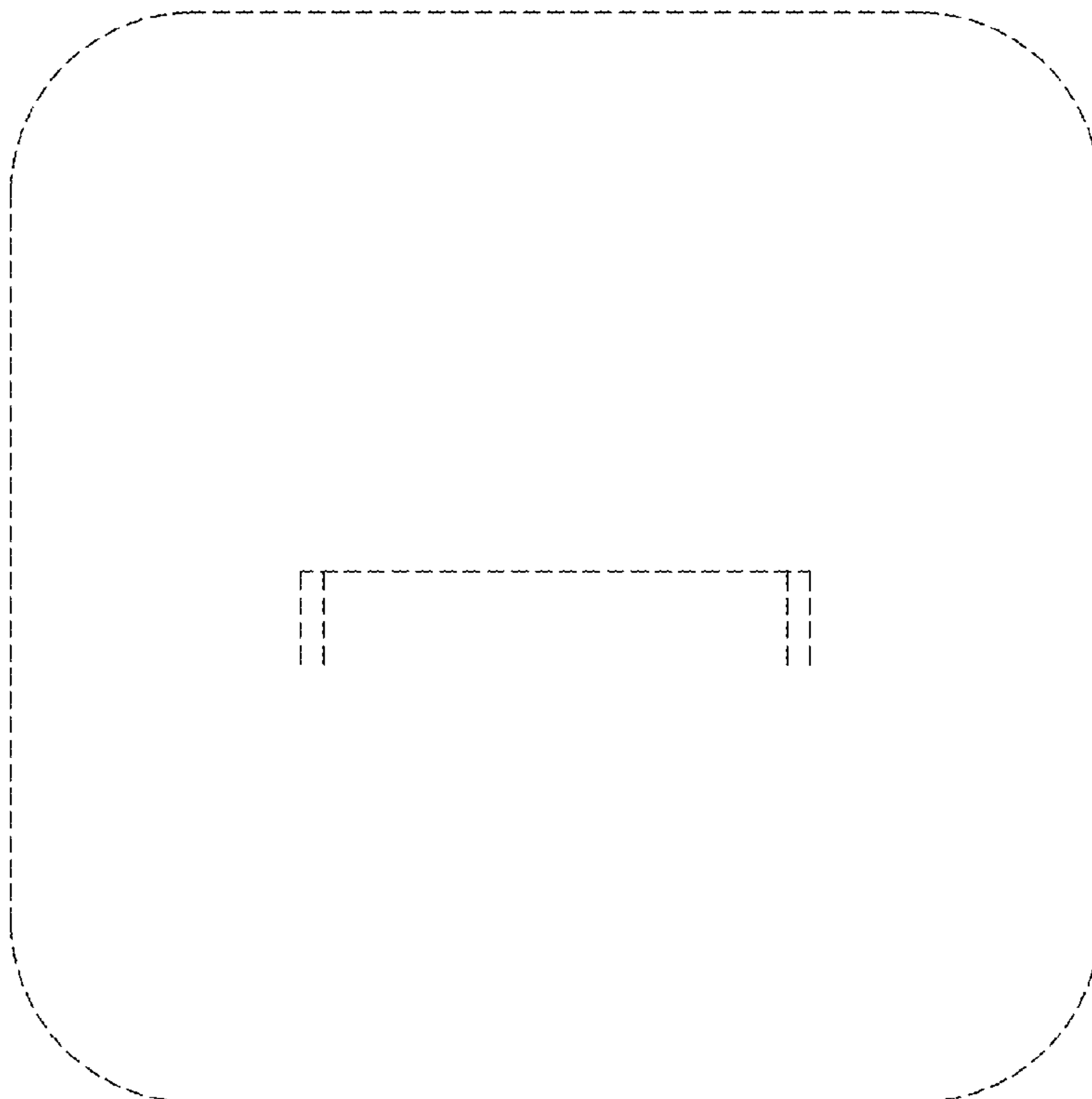


FIG. 3





**FIG. 4**



**FIG. 5**

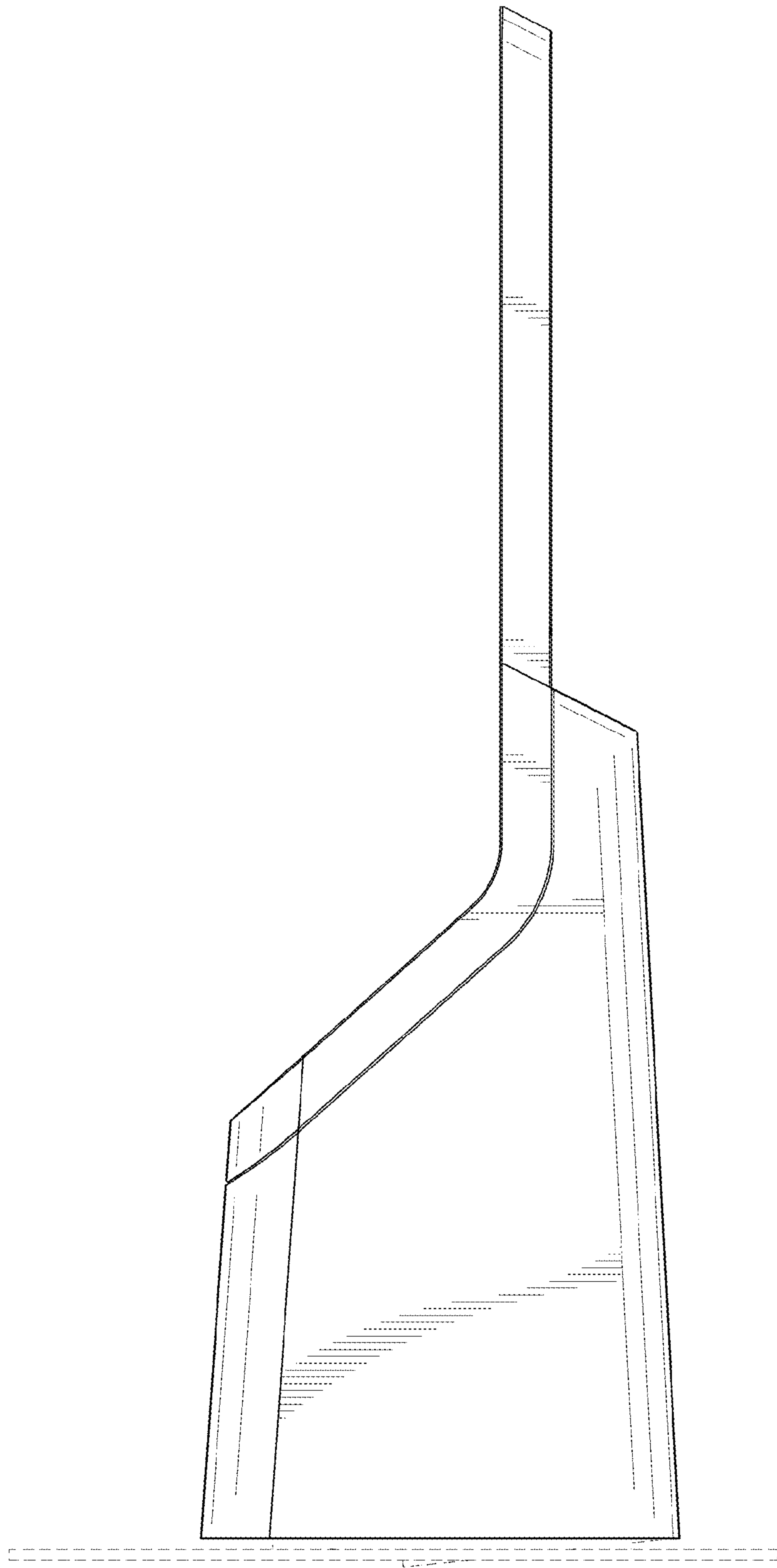


FIG. 6

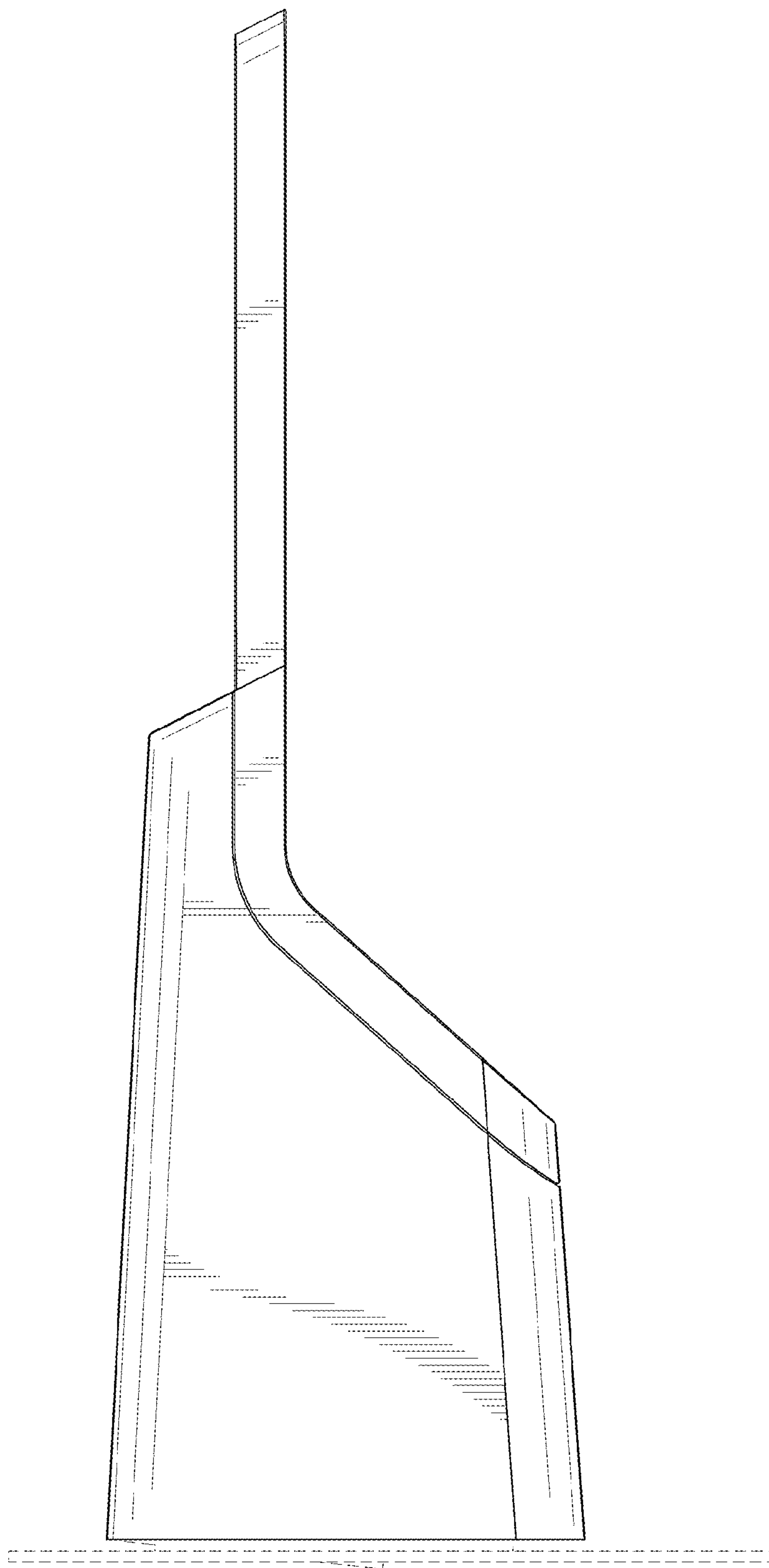


FIG. 7



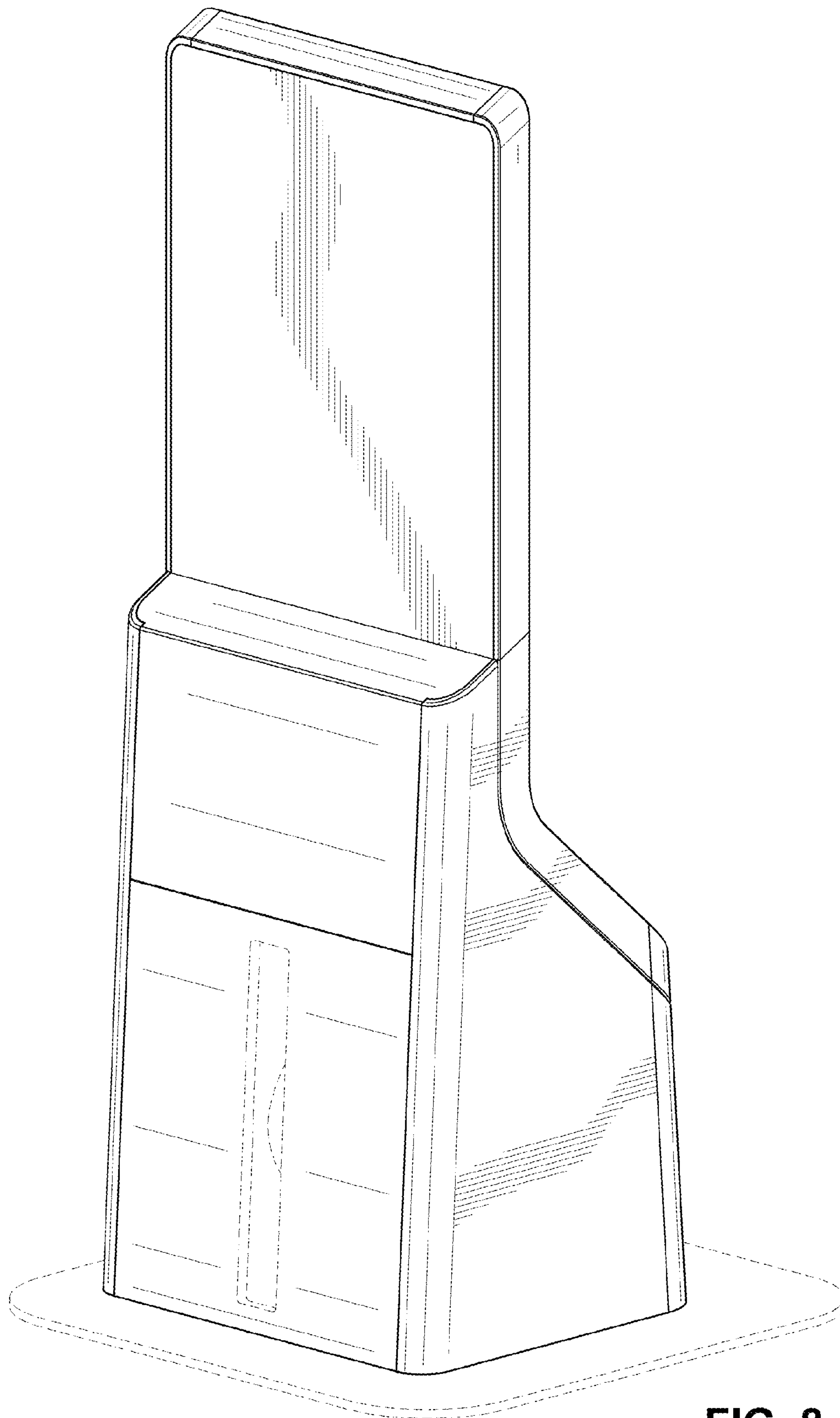


FIG. 8