



US00D762612S

(12) **United States Design Patent**  
**Yano et al.**

(10) **Patent No.:** **US D762,612 S**

(45) **Date of Patent:** **\*\* Aug. 2, 2016**

(54) **TELECONFERENCE TERMINAL**

(56) **References Cited**

(71) Applicants: **Ryota Yano**, Ohta-ku (JP); **Masanao Takahashi**, Ohta-ku (JP); **Masaaki Kabumoto**, Ohta-ku (JP)

U.S. PATENT DOCUMENTS

D585,048	S	*	1/2009	Uchimura	.....	D14/155
D679,263	S	*	4/2013	Yano	.....	D14/149
D723,496	S	*	3/2015	Ryu	.....	D14/138 G
D724,043	S	*	3/2015	Umezawa	.....	D14/130
D732,516	S	*	6/2015	Bae	.....	D14/248
2012/0274733	A1	*	11/2012	Yano	.....	H04M 1/02 348/14.08

(72) Inventors: **Ryota Yano**, Ohta-ku (JP); **Masanao Takahashi**, Ohta-ku (JP); **Masaaki Kabumoto**, Ohta-ku (JP)

OTHER PUBLICATIONS

(73) Assignee: **RICOH COMPANY, LTD.**, Tokyo (JP)

<http://www.cdrinfo.com/Sections/News/Details.aspx?NewsId=30848> Posted Jul. 29, 2011.\*

(\*\*) Term: **14 Years**

\* cited by examiner

(21) Appl. No.: **29/510,486**

*Primary Examiner* — Susan Bennett Hattan

(22) Filed: **Nov. 28, 2014**

*Assistant Examiner* — Leanne Was

(30) **Foreign Application Priority Data**

May 30, 2014 (JP) ..... 2014-011693

(74) *Attorney, Agent, or Firm* — Oblon, McClelland, Maier & Neustadt, L.L.P.

(51) **LOC (10) Cl.** ..... **14-03**

(57) **CLAIM**

The ornamental design for a teleconference terminal, as shown and described.

(52) **U.S. Cl.**

**DESCRIPTION**

USPC ..... **D14/149**

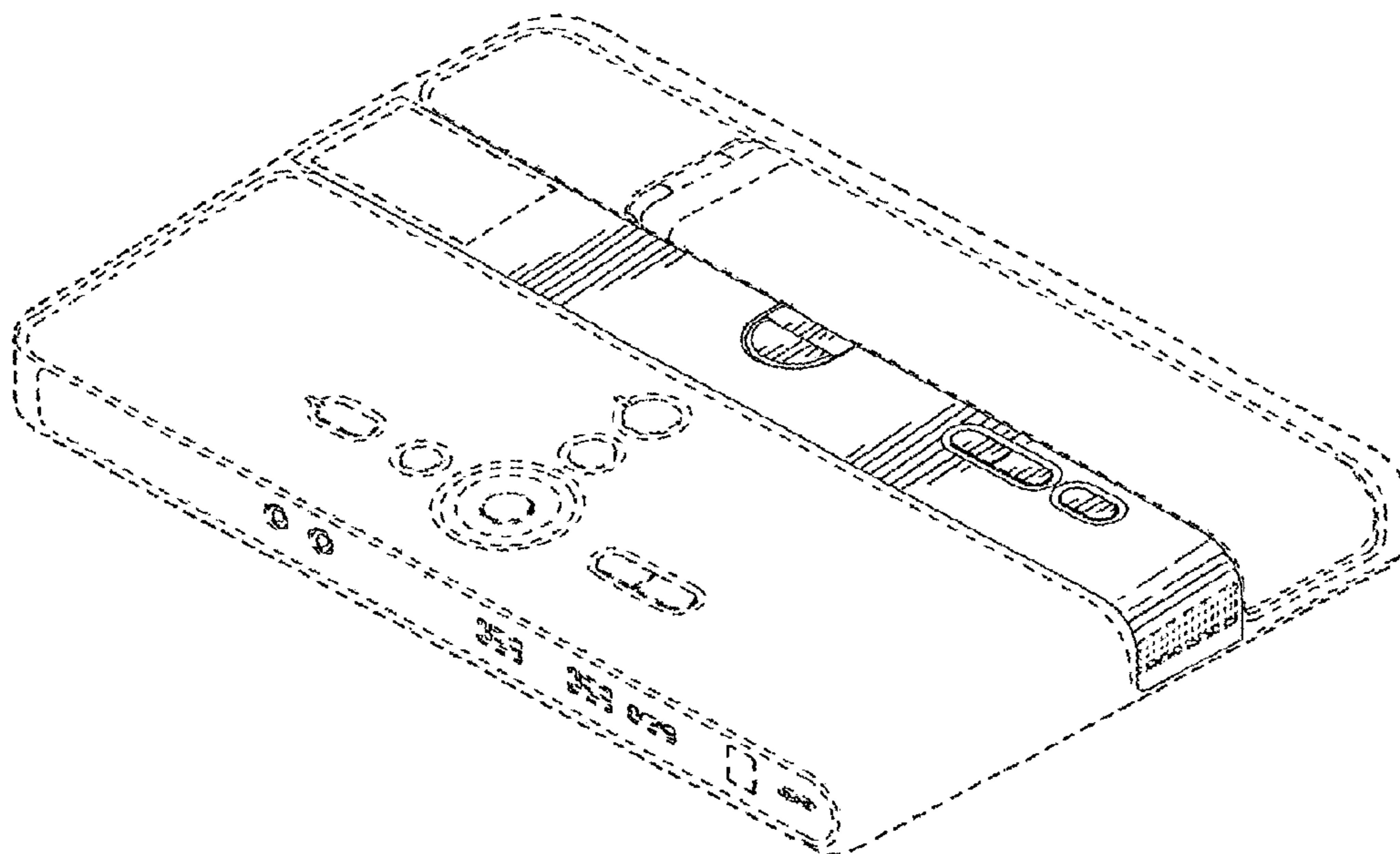
(58) **Field of Classification Search**

USPC ..... D14/137, 140, 140.2, 142, 144, 147, 149, 159, 204, 221, 240, 243, 474; 348/14.01–14.03, 14.08–14.09; 379/88.13, 420.01, 420.02, 420.03, 379/420.04, 428.01, 436, 440, 451, 454; 381/26, 91; 455/90.3, 347, 400, 401, 455/550.1, 561, 569.1, 575.1

FIG. 1 is a front, right-side overhead perspective view of a teleconference terminal;  
FIG. 2 is a front view thereof;  
FIG. 3 is a rear view thereof;  
FIG. 4 is a right side view thereof;  
FIG. 5 is a left side view thereof;  
FIG. 6 is a top plan view thereof; and,  
FIG. 7 is a bottom plan view thereof.  
The broken lines depict a portion of the teleconference terminal that forms no part of the claimed design.

See application file for complete search history.

**1 Claim, 7 Drawing Sheets**



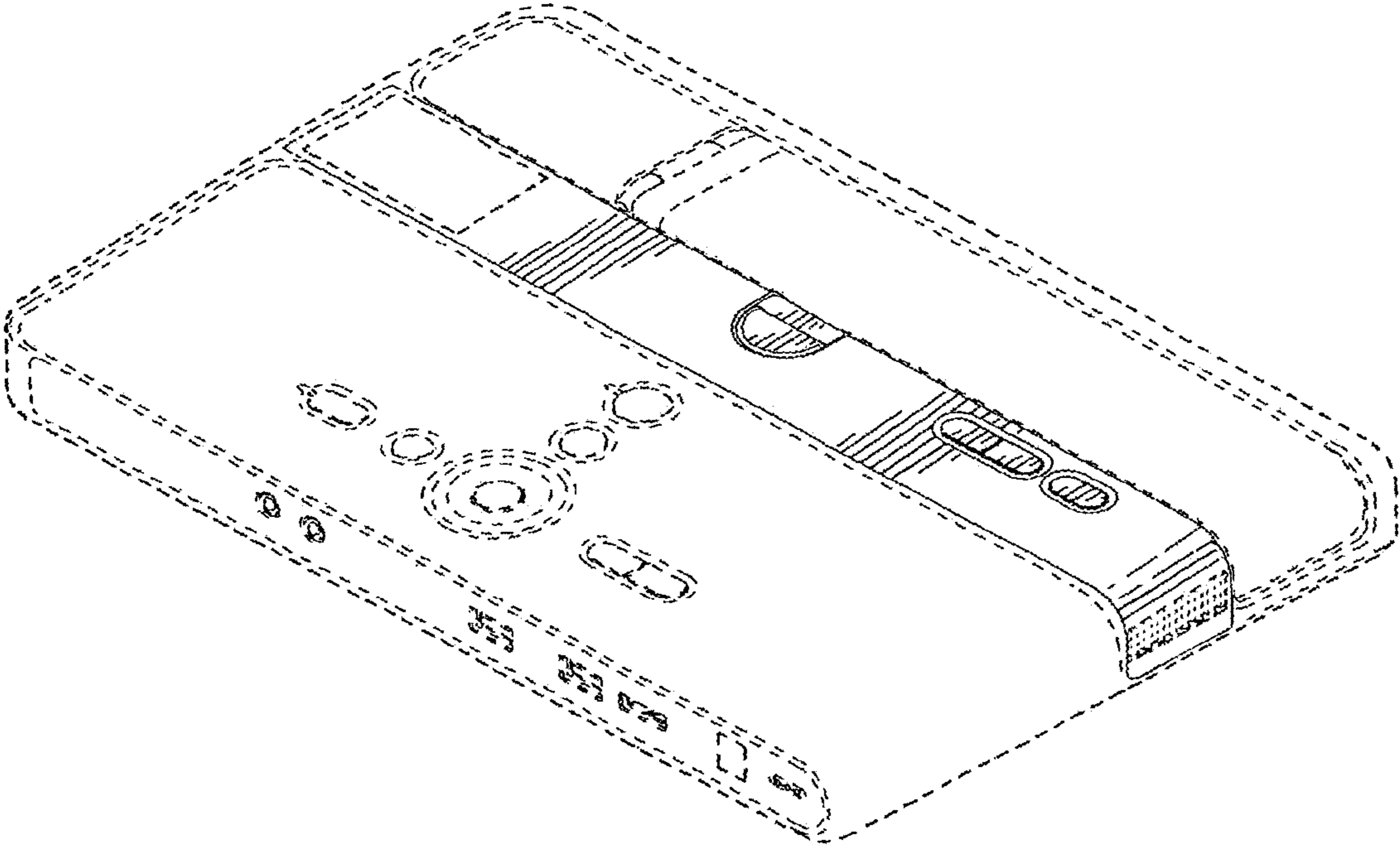


FIG. 1

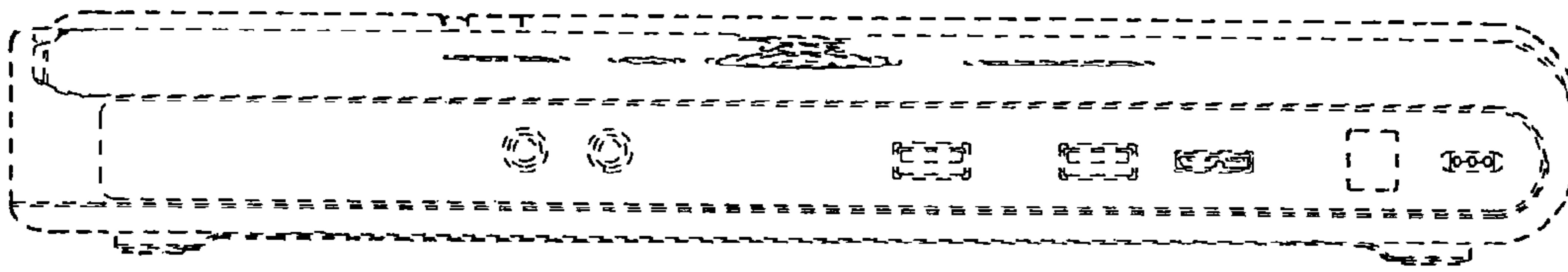


FIG. 2

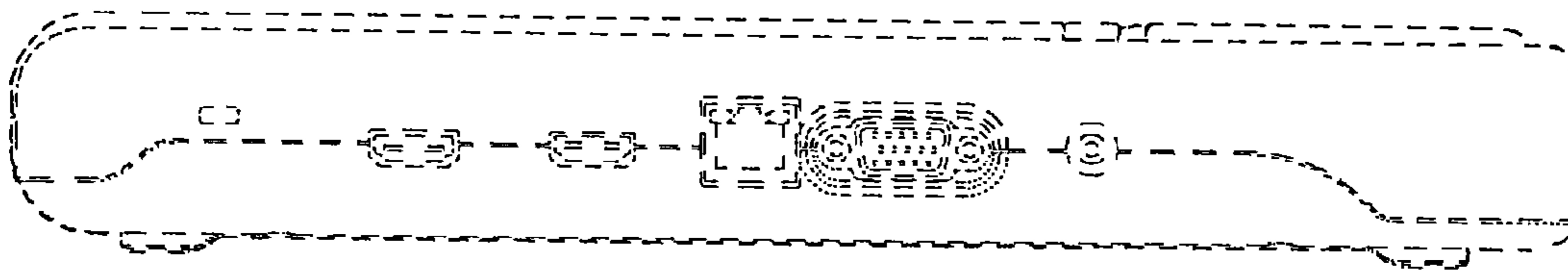


FIG. 3

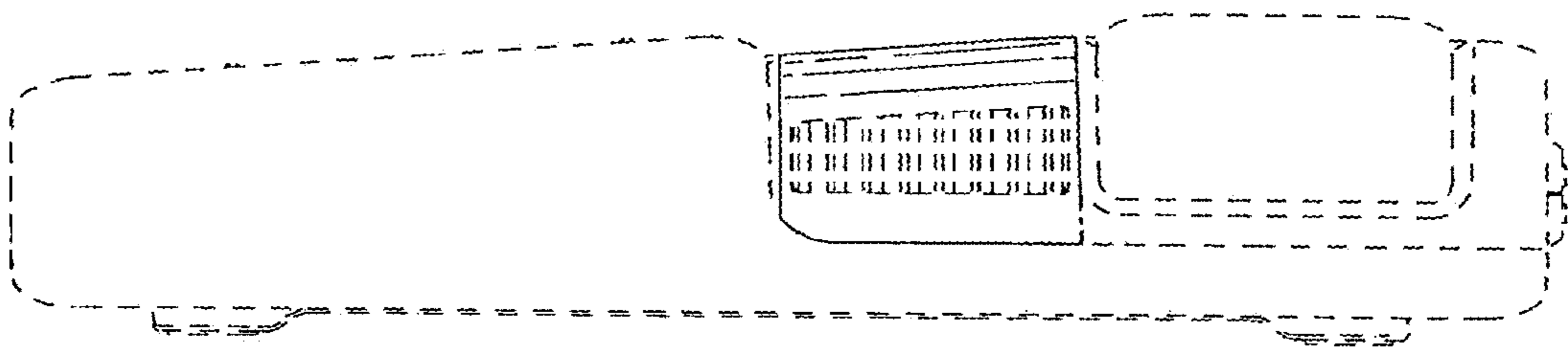
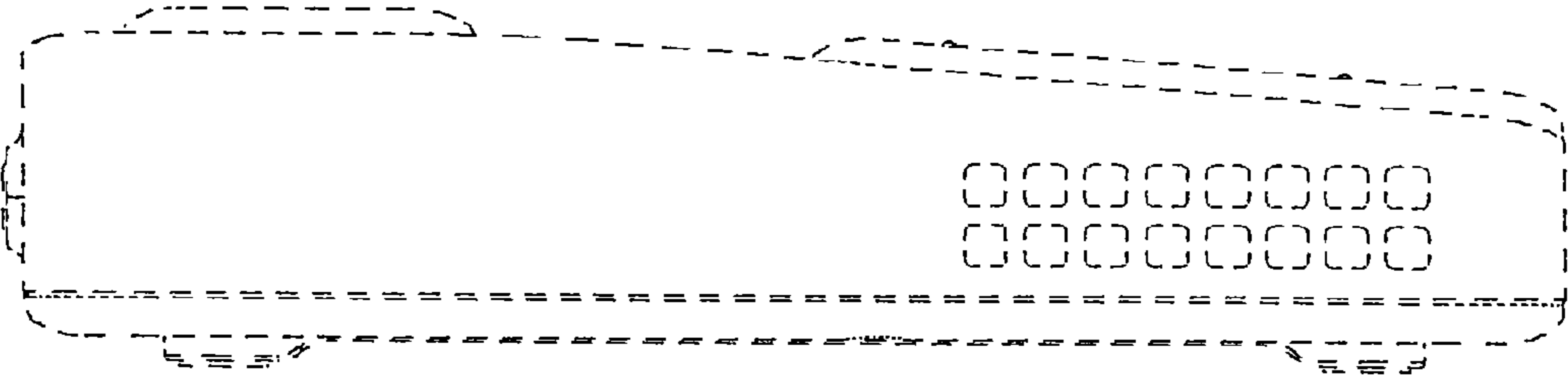


FIG. 4



**FIG. 5**

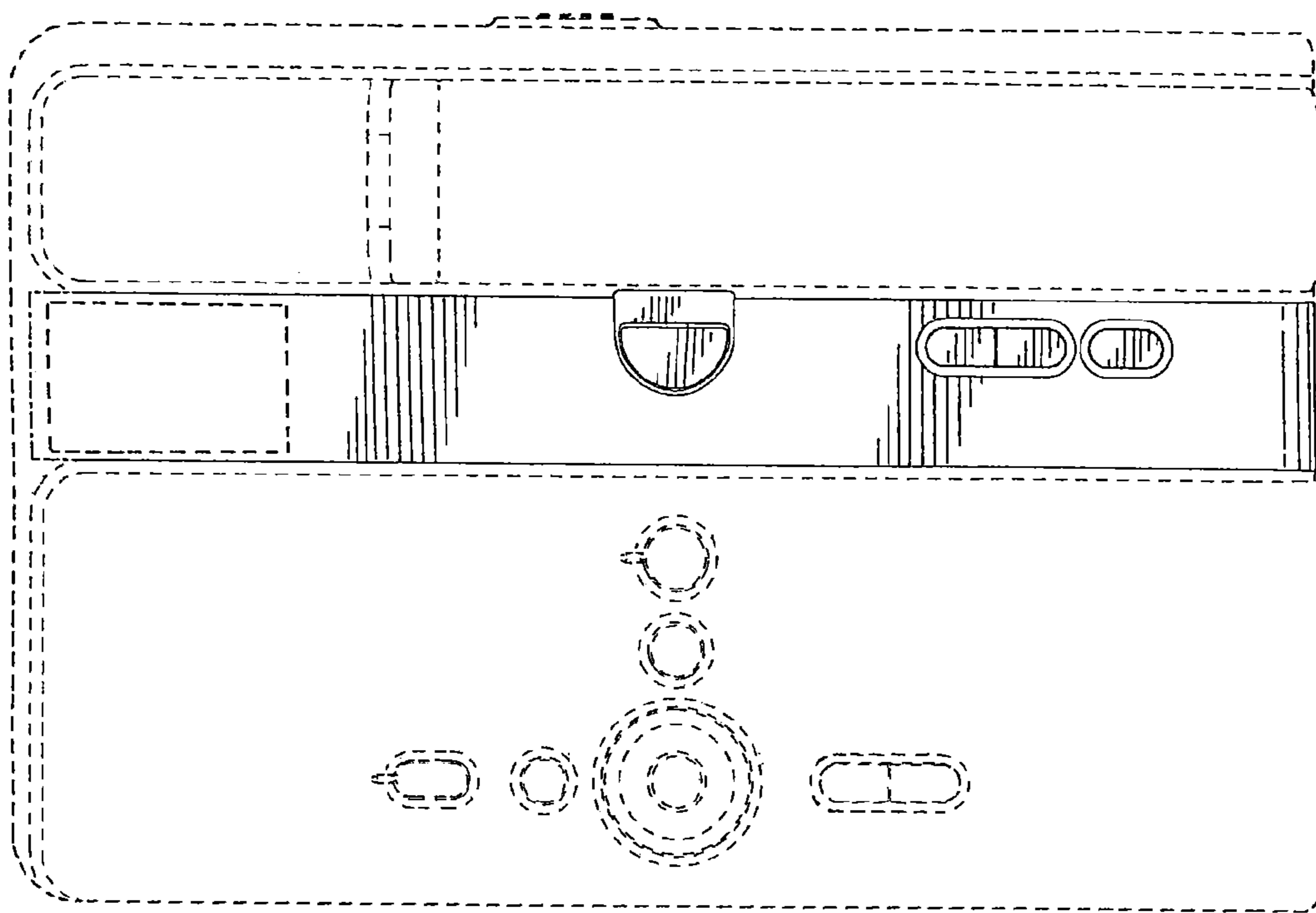


FIG. 6

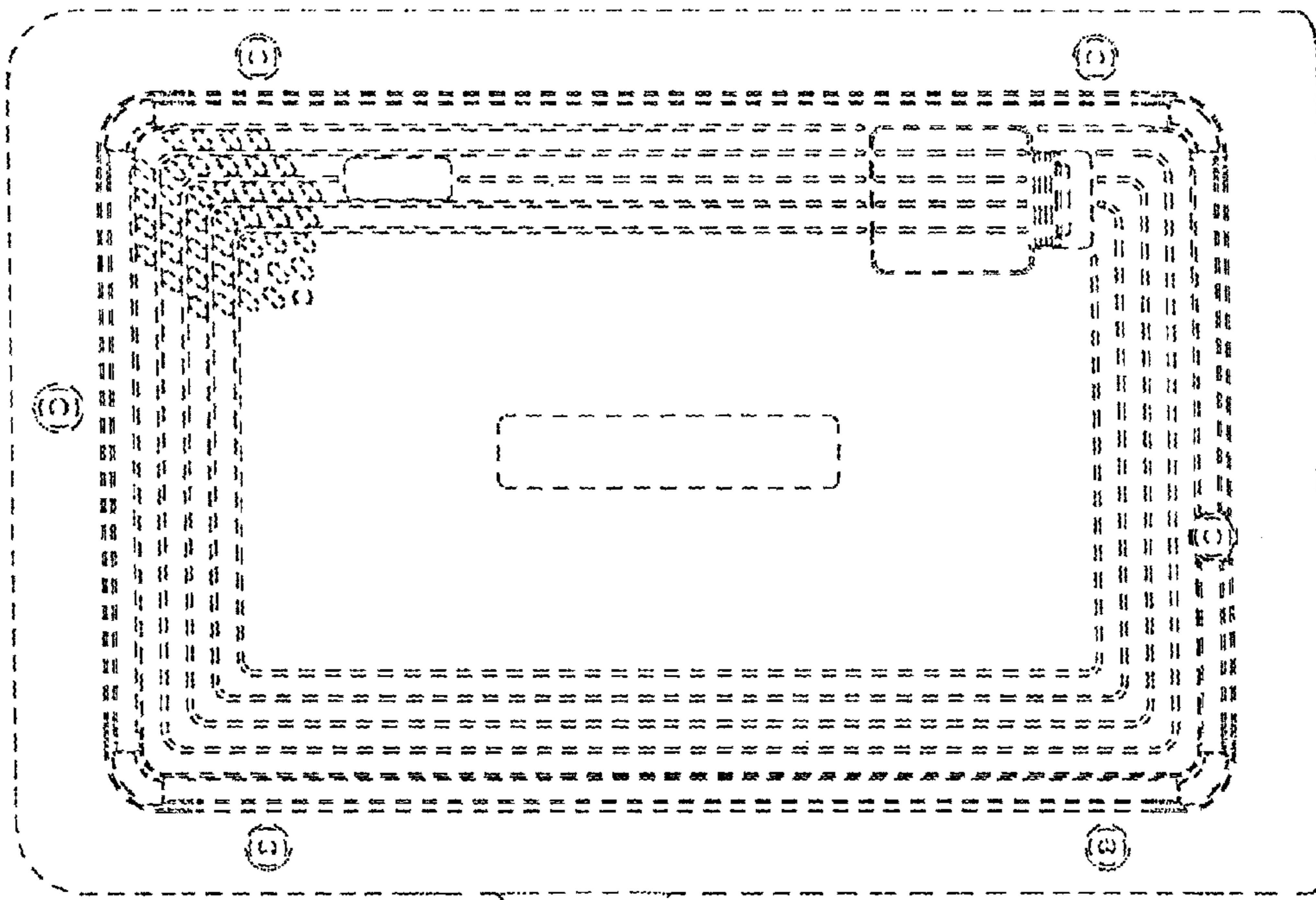


FIG. 7