

US00D762601S

(12) **United States Design Patent**
Seo et al.

(10) **Patent No.:** **US D762,601 S**
(45) **Date of Patent:** **** Aug. 2, 2016**

(54) **TV RECEIVER**

(56) **References Cited**

(71) Applicant: **LG ELECTRONICS INC.**, Seoul (KR)

U.S. PATENT DOCUMENTS

(72) Inventors: **Minji Seo**, Seoul (KR); **Younsoo Kim**,
Seoul (KR); **Yoonkyeong Lee**, Seoul
(KR); **Byungmu Huh**, Seoul (KR)

D554,599	S	*	11/2007	Otsuka	D14/126
D671,084	S	*	11/2012	Kim	D14/126
D680,509	S	*	4/2013	Hwangbo	D14/126
D689,033	S	*	9/2013	Hwangbo	D14/126
D721,666	S	*	1/2015	Son	D14/126
D726,137	S	*	4/2015	Lee	D14/126
D736,728	S	*	8/2015	Kim	D14/126
D739,390	S	*	9/2015	Lee	D14/239
D751,520	S	*	3/2016	Seo	D14/126
D753,085	S	*	4/2016	Lee	D14/126

(73) Assignee: **LG ELECTRONICS INC.**, Seoul (KR)

(**) Term: **14 Years**

* cited by examiner

(21) Appl. No.: **29/524,832**

(22) Filed: **Apr. 23, 2015**

Primary Examiner — Raphael Barkai

(30) **Foreign Application Priority Data**

(74) *Attorney, Agent, or Firm* — Birch, Stewart, Kolasch & Birch, LLP

Oct. 24, 2014 (KR) 30-2014-0051075

(51) **LOC (10) Cl.** **14-03**

(57) **CLAIM**

(52) **U.S. Cl.**

The ornamental design for a TV receiver, as shown and described.

USPC **D14/126**

DESCRIPTION

(58) **Field of Classification Search**

USPC D14/125–134, 239, 371, 136, 374–377,
D14/440, 450, 448, 336, 342, 159; 312/7.2;
348/836, 838, 180, 184, 325, 739;
248/917–924, 465; 345/104, 133, 156,
345/168, 87, 173; D21/329, 515, 577, 622,
D21/333, 433, 448, 452, 450, 331, 505;
D10/15, 26; 446/484, 175, 356;
D6/477, 479, 300; D20/10, 19, 39
CPC ... G06F 1/1601; G06F 1/1643; H05K 5/0004;
H05K 5/0017; H05K 5/02; H05K 5/0217;
H04N 13/0459

FIG. 1 is a front, right side, perspective view of a TV receiver showing our new design;
FIG. 2 is a front view thereof;
FIG. 3 is a rear view thereof;
FIG. 4 is a left side view thereof;
FIG. 5 is a right side view thereof;
FIG. 6 is a top view thereof; and
FIG. 7 is a bottom view thereof.

The broken lines shown in the figure are for illustrative purpose only and form no part of the claimed design.

See application file for complete search history.

1 Claim, 6 Drawing Sheets

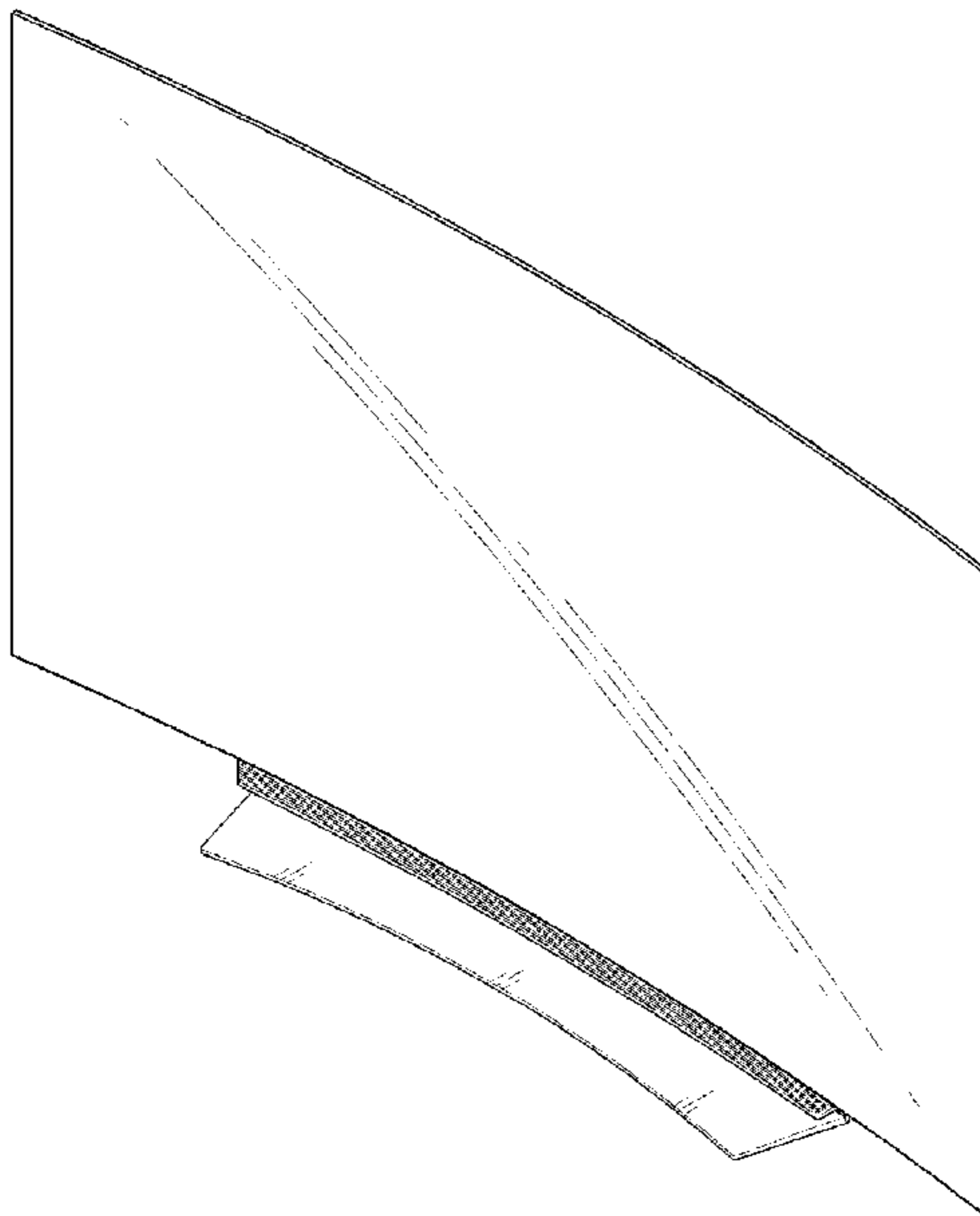


FIG. 1

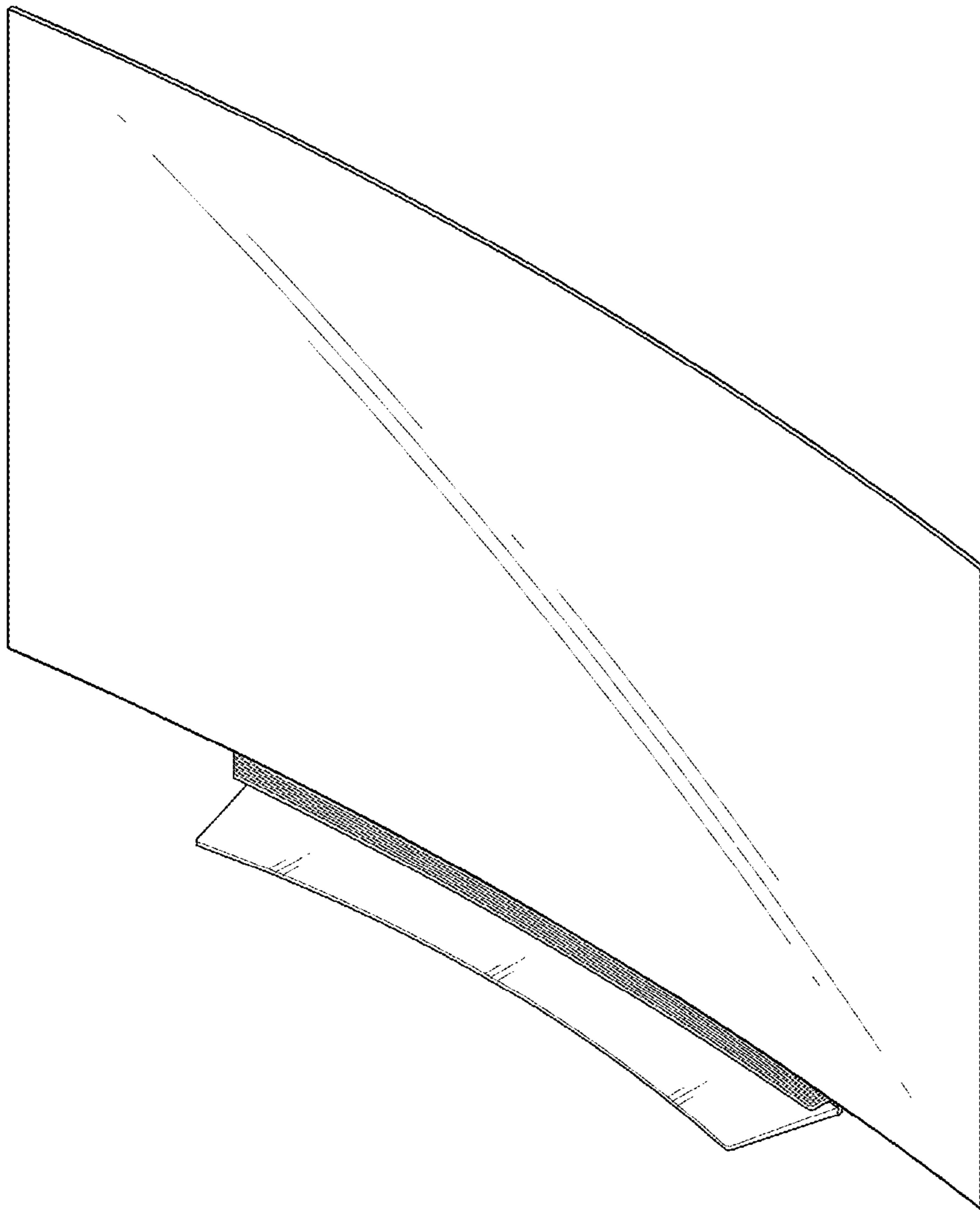


FIG. 2

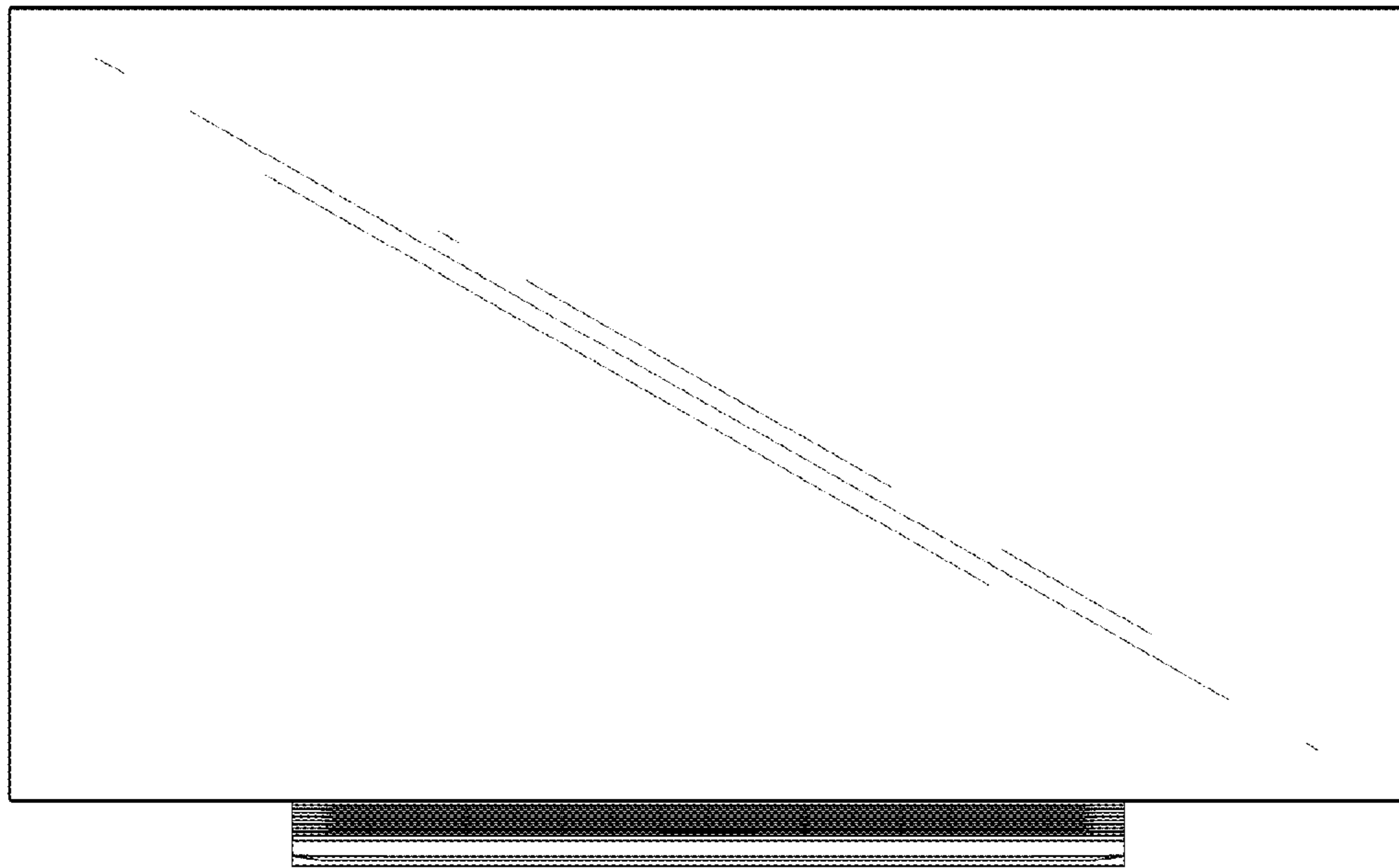


FIG. 3

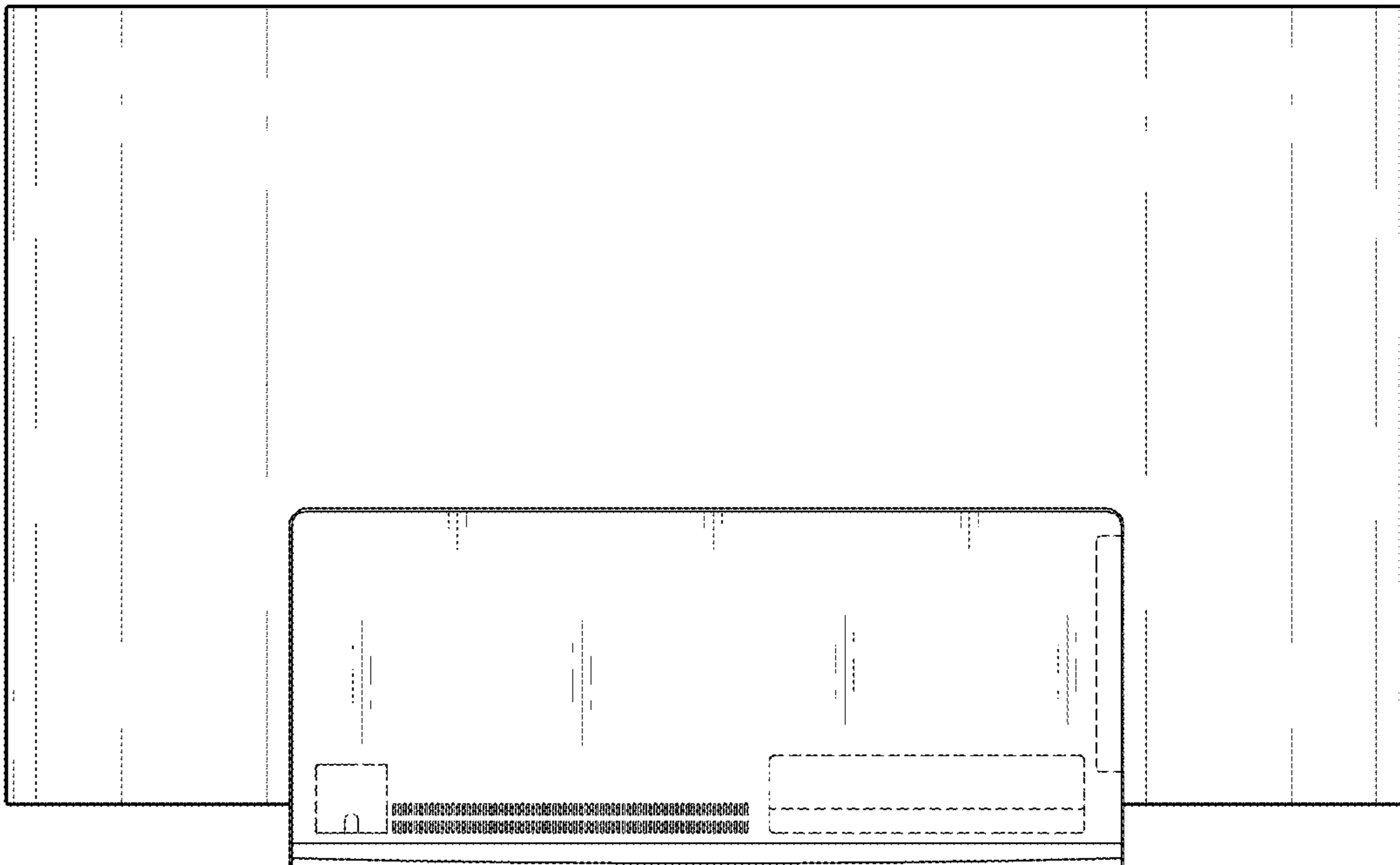


FIG. 4

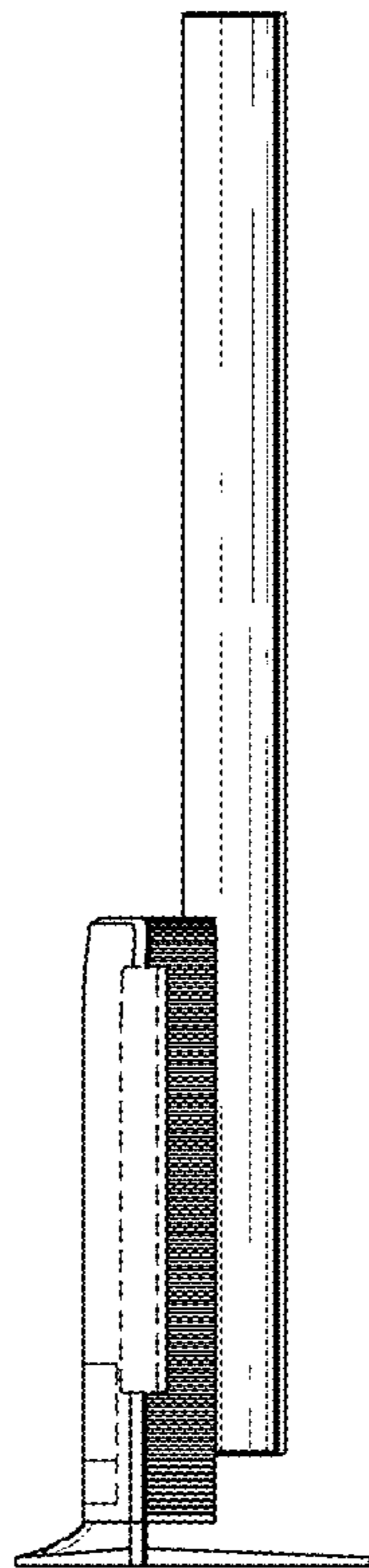


FIG. 5

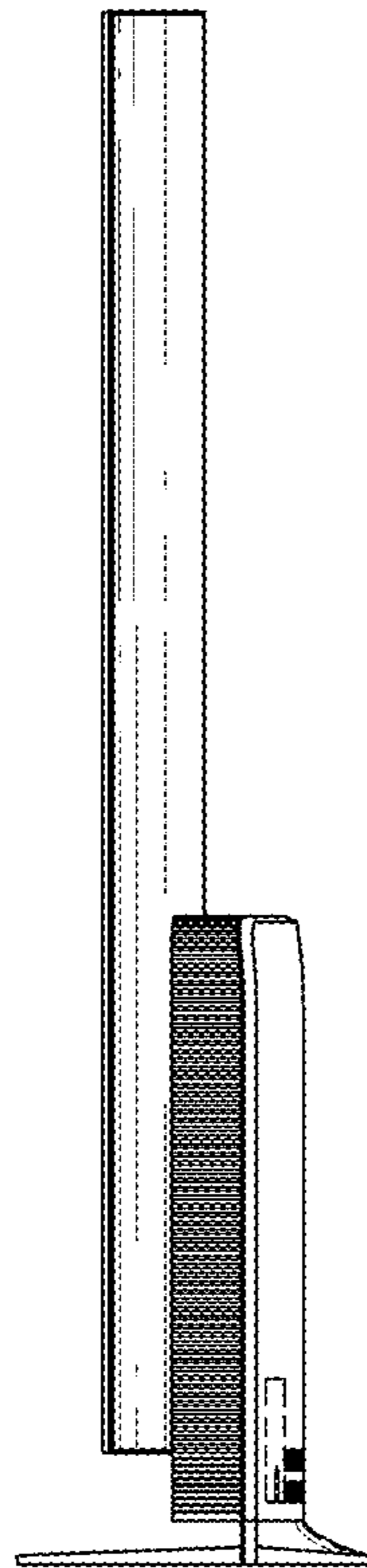


FIG. 6

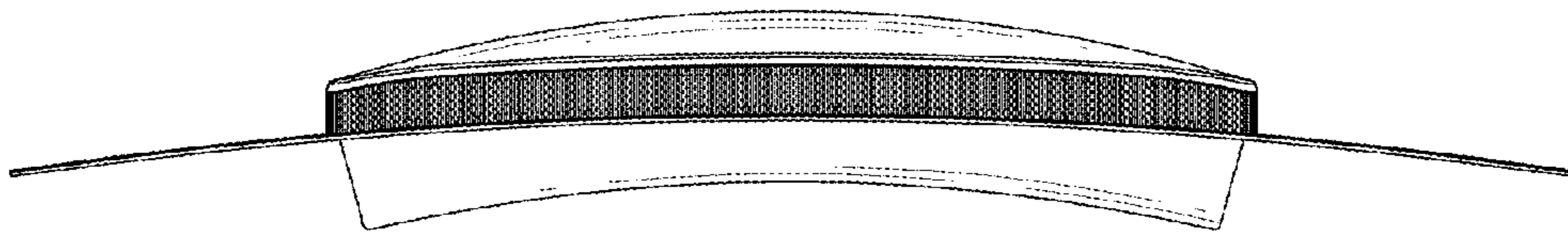


FIG. 7

