



US00D762598S

(12) **United States Design Patent**
Ishii

(10) **Patent No.:** **US D762,598 S**

(45) **Date of Patent:** **** Aug. 2, 2016**

(54) **SET TOP BOX**

(71) Applicant: **Chikaku, Inc.**, Tokyo (JP)

(72) Inventor: **Seiki Ishii**, Kanagawa (JP)

(**) Term: **15 Years**

(21) Appl. No.: **29/540,528**

(22) Filed: **Sep. 25, 2015**

(30) **Foreign Application Priority Data**

Jun. 15, 2015 (JP) 13229/2015

(51) **LOC (10) Cl.** **14-03**

(52) **U.S. Cl.**

USPC **D14/125**

(58) **Field of Classification Search**

USPC D14/125, 357-358, 496, 188, 242, 432;
D13/184; 348/10, 460, 706, 731;
340/825.03; 455/6.1, 6.2; 312/223.1,
312/7.2

CPC H04N 5/50; H04N 5/64; H05K 5/02;
H05K 5/03; G06F 1/16

See application file for complete search history.

(56) **References Cited**

U.S. PATENT DOCUMENTS

5,778,085 A * 7/1998 Sasaki H04M 1/20
379/202.01
D597,543 S * 8/2009 Urban D14/356
D598,449 S * 8/2009 Landry D14/358
D648,722 S * 11/2011 Meyerhoffer D14/341
D655,263 S * 3/2012 Tsai D14/125
D694,233 S * 11/2013 Hoofnagle D14/356

* cited by examiner

Primary Examiner — Randall Gholson

(74) *Attorney, Agent, or Firm* — McNees Wallace & Nurick
LLC

(57) **CLAIM**

The ornamental design for a set top box, as shown and
described.

DESCRIPTION

FIG. 1 shows a perspective view of a set top box according to
the present disclosure.

FIG. 2 shows a front view thereof.

FIG. 3 shows a rear view thereof.

FIG. 4 shows a top view thereof.

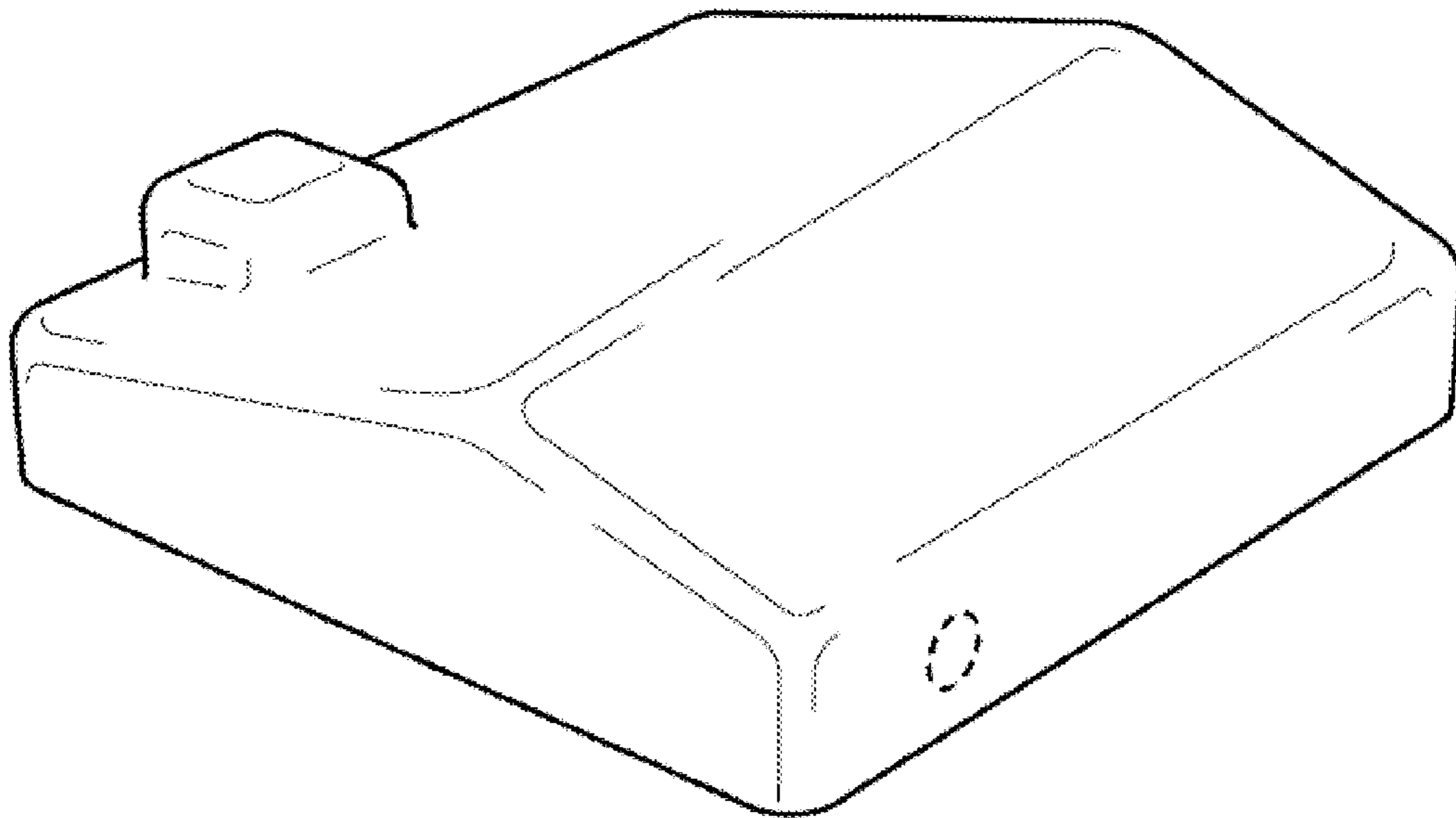
FIG. 5 shows a bottom view thereof.

FIG. 6 shows a first side view thereof; and,

FIG. 7 shows a second side view thereof.

The broken lines in the drawings illustrate features that form
no part of the claimed design.

1 Claim, 4 Drawing Sheets



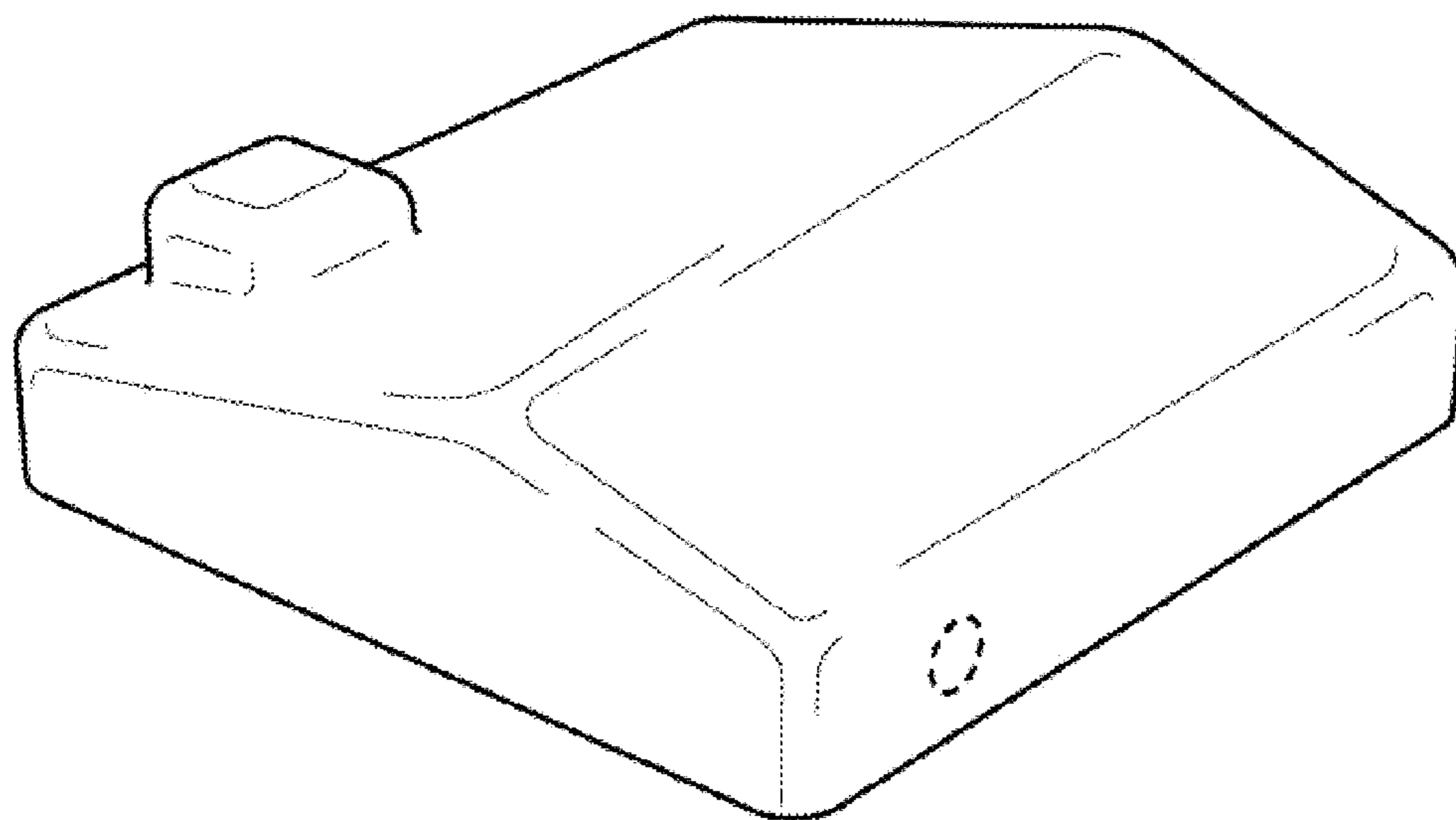


FIG. 1

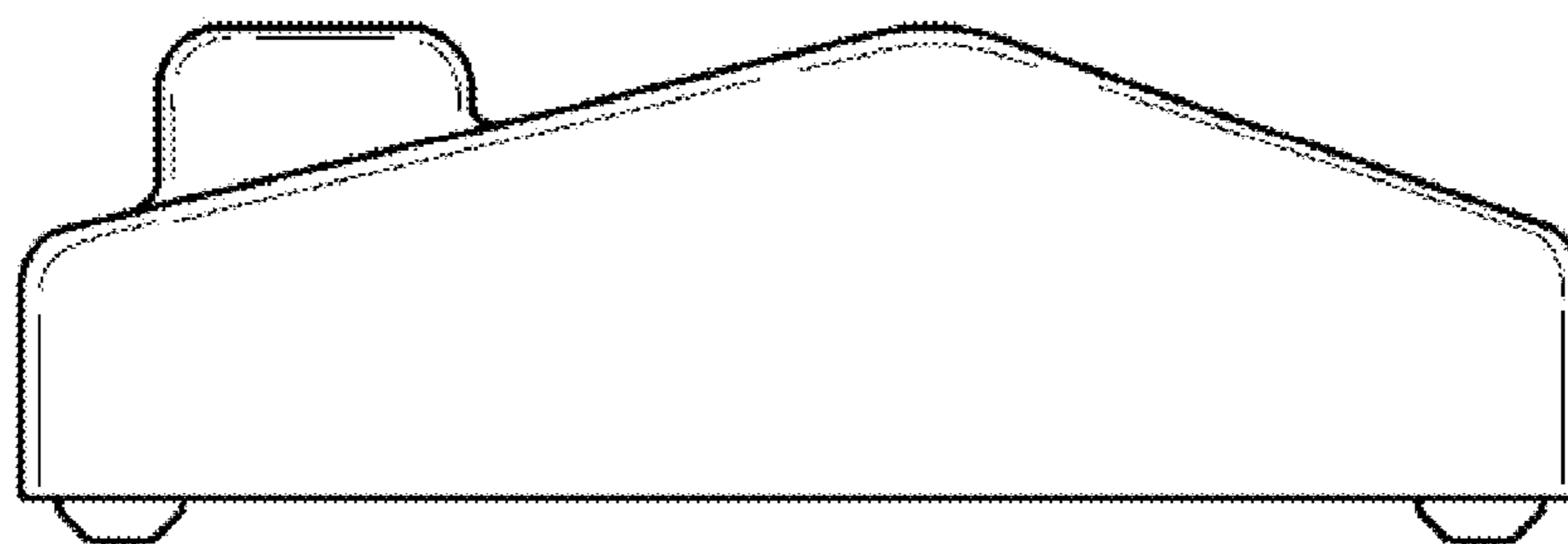


FIG. 2

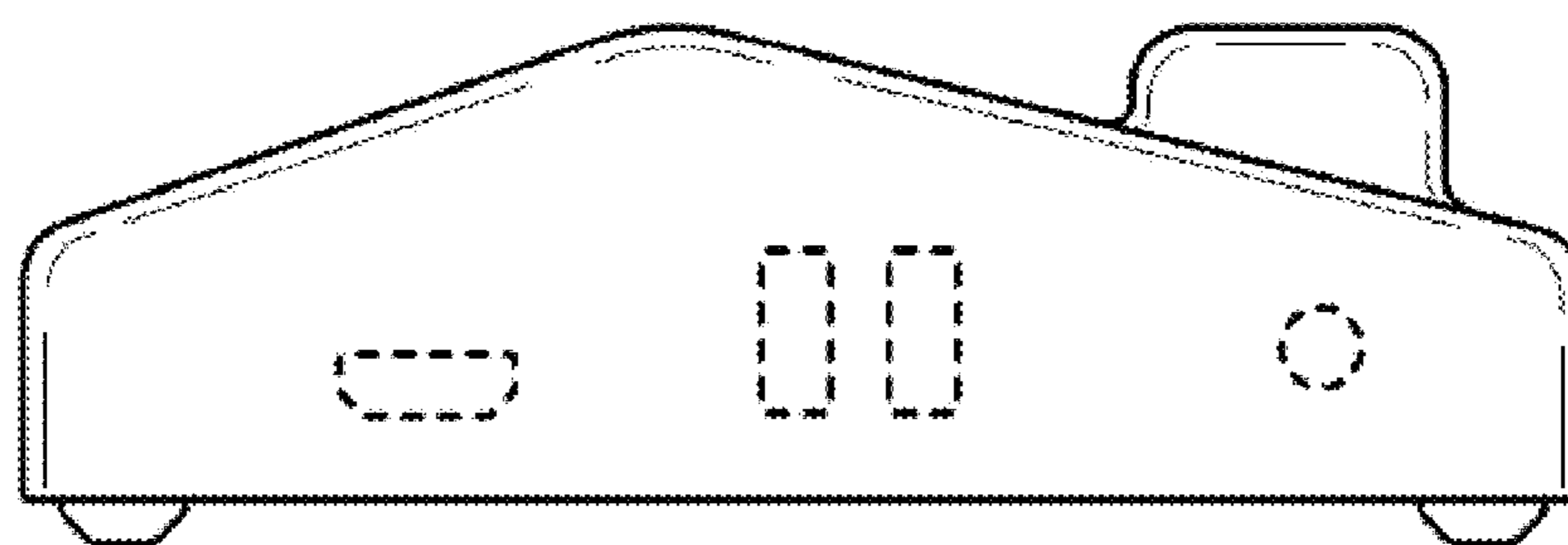


FIG. 3

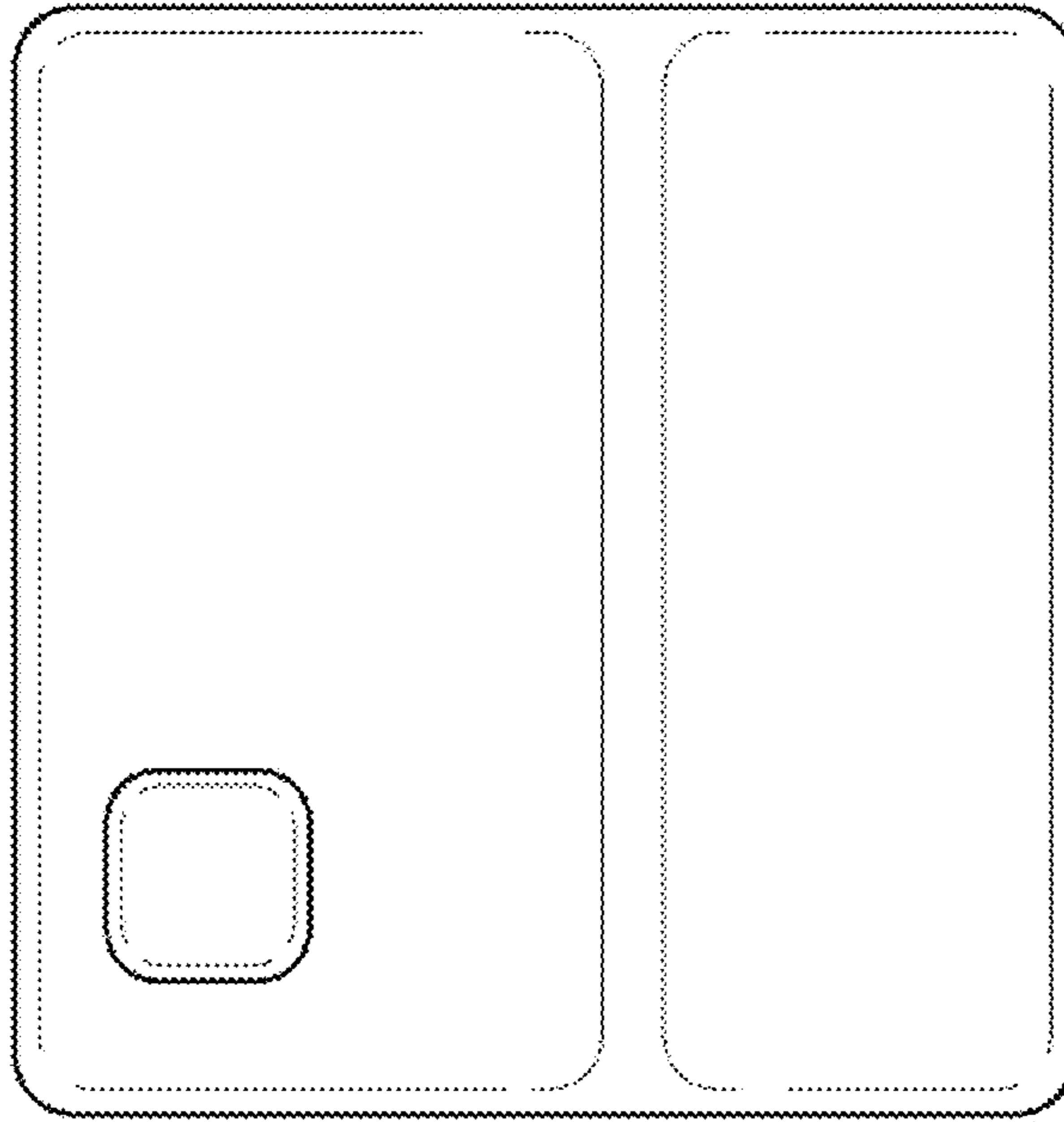


FIG. 4

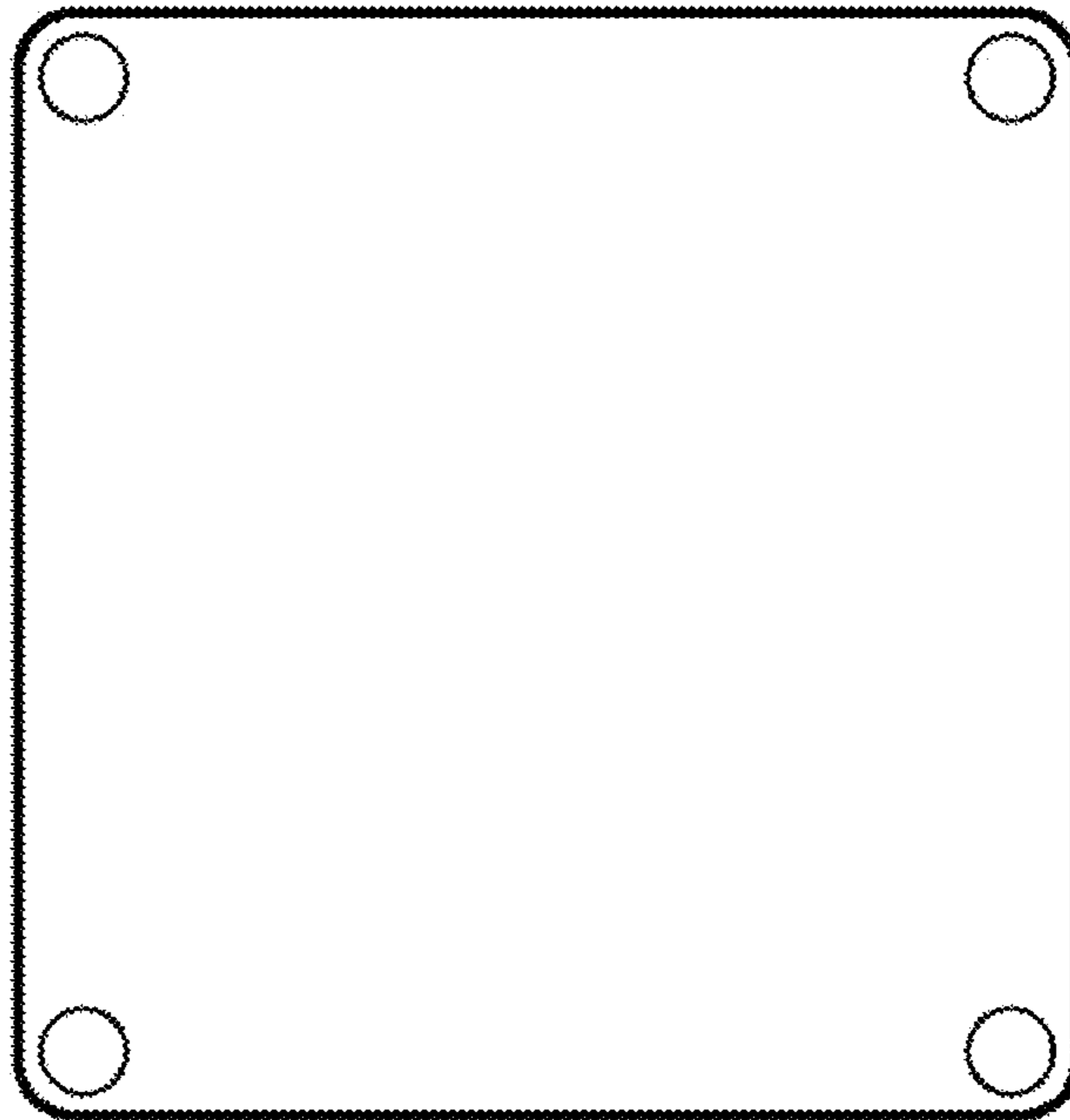


FIG. 5

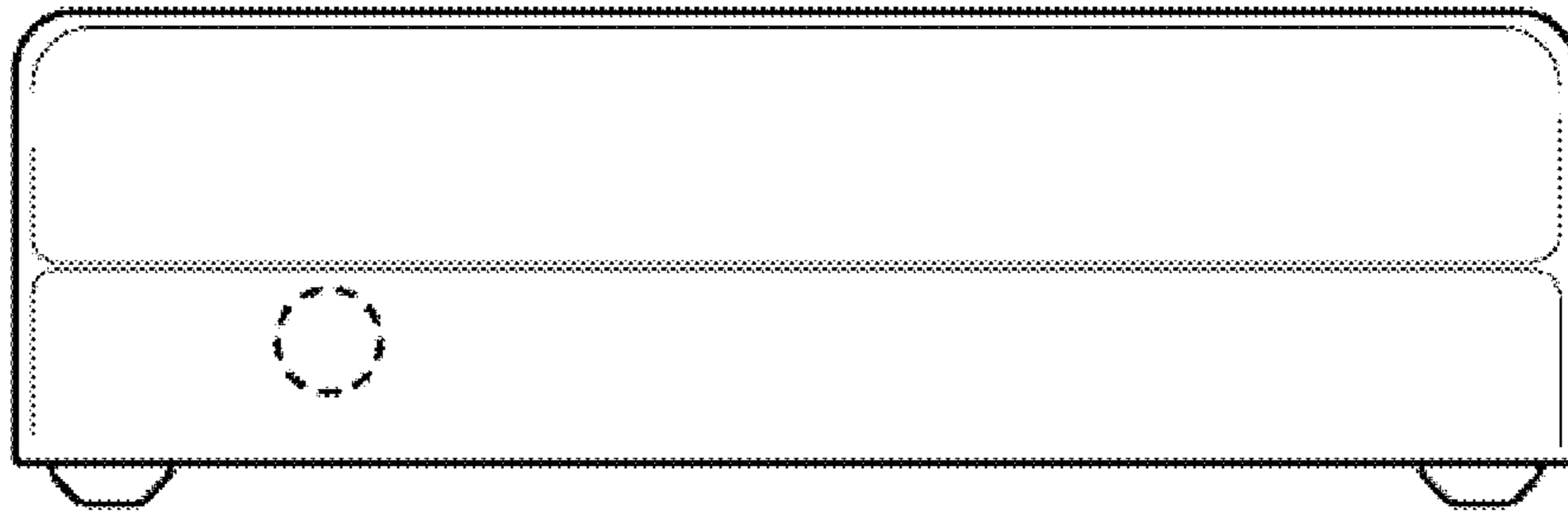


FIG. 6

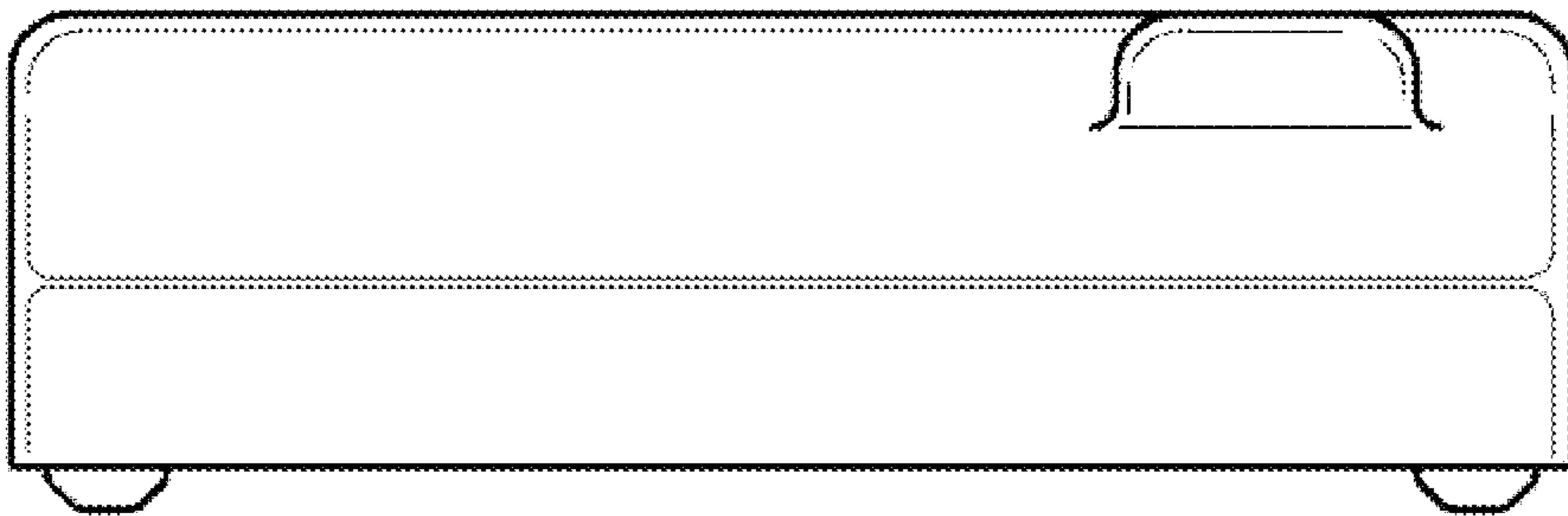


FIG. 7