

US00D762593S

(12) **United States Design Patent**
Oneufer et al.

(10) **Patent No.:** **US D762,593 S**

(45) **Date of Patent:** **** *Aug. 2, 2016**

(54) **SWITCH HANDLE FOR CIRCUIT BREAKERS**

(71) Applicant: **Eaton Corporation**, Cleveland, OH (US)

(72) Inventors: **Stephen William Oneufer**, Fayetteville, NC (US); **Edgar Yee**, Chapel Hill, NC (US); **Robert Allan Morris**, Fayetteville, NC (US); **Daniel Boyd Kroushl**, Clayton, NC (US)

(73) Assignee: **Eaton Corporation**, Cleveland, OH (US)

(*) Notice: This patent is subject to a terminal disclaimer.

(**) Term: **14 Years**

(21) Appl. No.: **29/506,538**

(22) Filed: **Oct. 16, 2014**

Related U.S. Application Data

(63) Continuation-in-part of application No. 29/485,857, filed on Mar. 24, 2014, now Pat. No. Des. 751,516.

(51) **LOC (10) Cl.** **13-03**

(52) **U.S. Cl.**
USPC **D13/174**

(58) **Field of Classification Search**
USPC D13/160, 174
CPC G05G 1/04; G05G 1/08; H01H 3/08; H01H 9/02; H01H 9/182; H01H 9/22; H01H 9/282; H01H 71/04; H01H 71/46; H01H 71/56; H01H 71/501

See application file for complete search history.

(56) **References Cited**

U.S. PATENT DOCUMENTS

3,155,786 A 11/1964 Stegmaier
4,024,441 A 5/1977 Coyle et al.
4,503,408 A 3/1985 Mrenna et al.
4,612,424 A 9/1986 Clark et al.

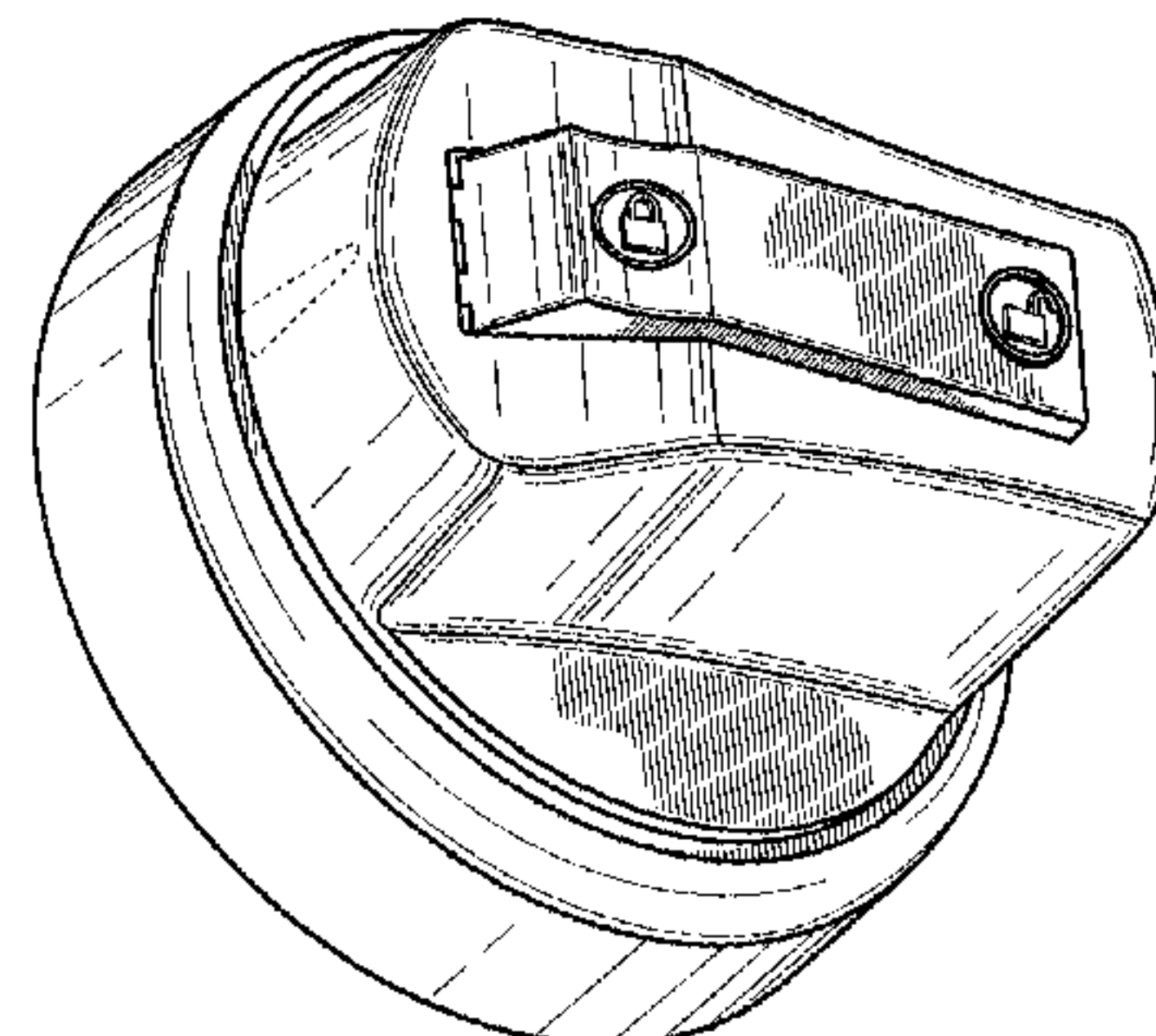
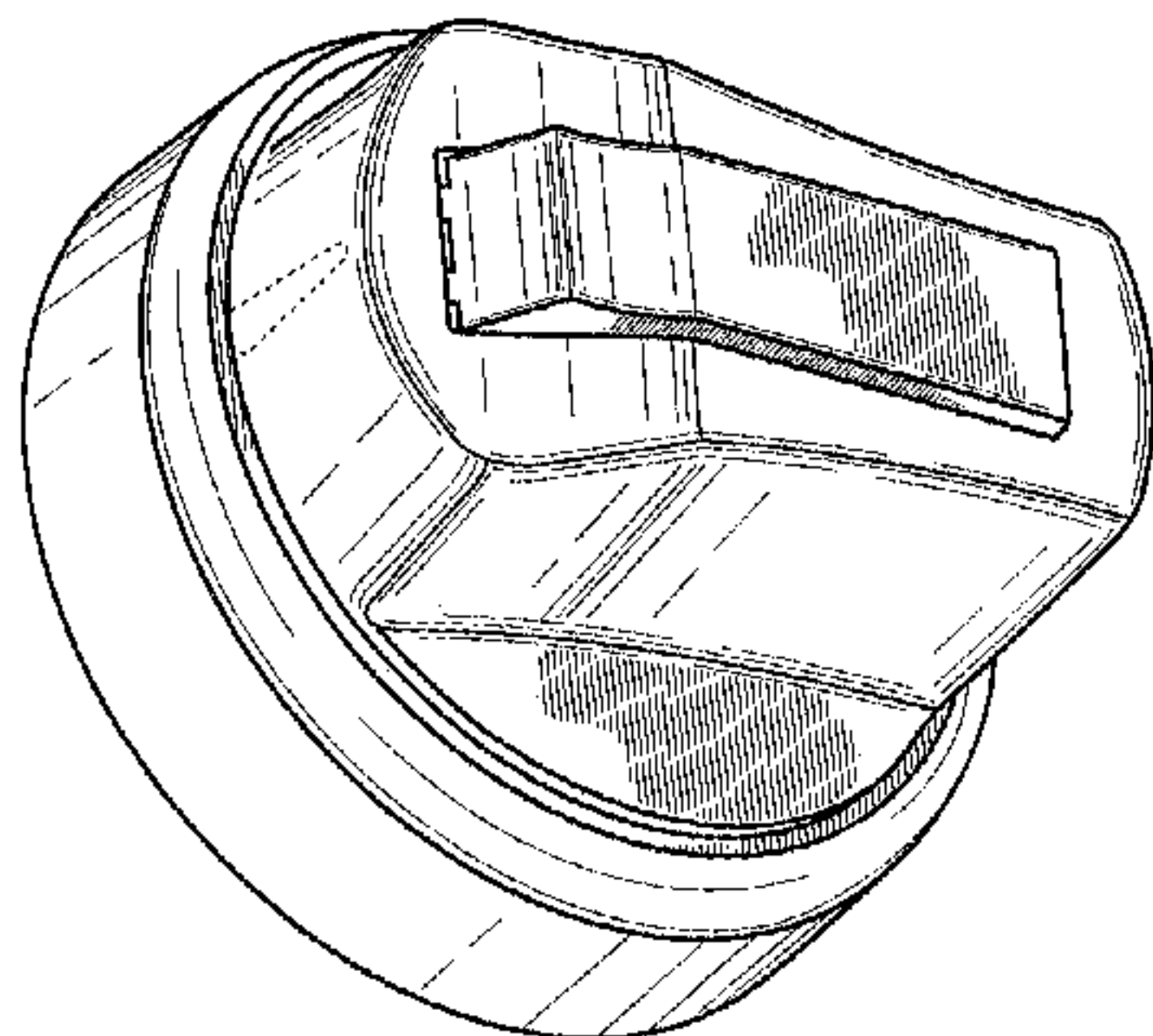
D297,726 S 9/1988 Araki
4,851,621 A 7/1989 Borchardt et al.
D349,101 S 7/1994 Schaeffer
5,493,083 A 2/1996 Olivier
5,634,553 A 6/1997 Hopper et al.
5,687,834 A 11/1997 Simon et al.
D404,014 S 1/1999 Barnard et al.
5,910,760 A 6/1999 Malingowski et al.
6,194,983 B1 2/2001 Bogdon et al.
D438,846 S 3/2001 Bonn
6,423,912 B1 7/2002 Arenz et al.
6,518,526 B2 2/2003 Hamada et al.
6,596,952 B1 7/2003 Degrazia et al.
6,767,104 B2 7/2004 Worrell
6,797,903 B1 9/2004 Winslett et al.
6,903,289 B2 6/2005 Tongo
6,969,813 B1 11/2005 Winslett et al.
7,002,088 B2 2/2006 Shin
7,186,933 B2 3/2007 Turner
7,214,895 B2 5/2007 Houck et al.
7,238,903 B2 7/2007 Fischer
D559,206 S 1/2008 Neveu
7,399,934 B2 7/2008 Emura et al.
7,420,133 B2 9/2008 Farrow et al.
D580,880 S 11/2008 Lifran
D606,026 S 12/2009 Azzola et al.
D635,104 S 3/2011 Louise et al.
D641,711 S 7/2011 Azzola et al.
8,642,903 B2 2/2014 Sadowski et al.
2007/0272526 A1 11/2007 Ishido et al.
2009/0167468 A1 7/2009 Dauer et al.
2010/0032278 A1 2/2010 Lin
2010/0294632 A1 11/2010 Reddering et al.
2013/0056340 A1 3/2013 Serpinet et al.
2013/0077210 A1 3/2013 Morris
2014/0238829 A1 8/2014 Takatsu et al.
2014/0326585 A1 11/2014 Reinhart et al.
2015/0008108 A1 1/2015 Wu et al.
2015/0053537 A1 2/2015 Manahan
2015/0103472 A1 4/2015 Oneufer et al.
2015/0221459 A1 8/2015 Oneufer

FOREIGN PATENT DOCUMENTS

EP 2393092 12/2011
WO WO2011/012806 2/2011

OTHER PUBLICATIONS

Product Brochure, Rotary handles, Molded-case circuit breakers, Eaton, Jun. 2013, 2 pages.
OHIM, Design Certificate of Registration, Registration No. 001420525-0001, Registered Sep. 10, 2014, 9 pages.



OHIM, Design Certificate of Registration, Registration No. 001420525-0002, Registered Sep. 10, 2014, 9 pages.
 OHIM, Design Certificate of Registration, Registration No. 001420525-0003, Registered Sep. 10, 2014, 9 pages.
 OHIM, Design Certificate of Registration, Registration No. 001420525-0004, Registered Sep. 10, 2014, 9 pages.
 OHIM, Design Certificate of Registration, Registration No. 001420525-0005, Registered Sep. 10, 2014, 9 pages.
 OHIM, Design Certificate of Registration, Registration No. 001420525-0006, Registered Sep. 10, 2014, 9 pages.
 Chilean Office Action for related Chilean application No. 2014-003378, dated Oct. 22, 2015, 6 pages.
 Chilean Office Action for related Chilean application No. 2014-003379, dated Oct. 22, 2015, 6 pages.
 Chilean Office Action for related Chilean application No. 2014-002395, dated Aug. 31, 2015, 6 pages.
 Chilean Office Action for related Chilean application No. 2014-002396, dated Aug. 31, 2015, 6 pages.

Primary Examiner — Selina Sikder
 (74) *Attorney, Agent, or Firm* — Myers Bigel & Sibley, P.A.

(57) **CLAIM**
 The ornamental design for a switch handle for circuit breakers, as shown and described.

DESCRIPTION

FIG. 1 is a front, side perspective view of a first embodiment of the switch handle for circuit breakers showing our design;
 FIG. 2 is a rear, side perspective view thereof;
 FIG. 3 is a top view thereof (the bottom view is disclaimed);
 FIG. 4 is a side view thereof;
 FIG. 5 is a side view opposite that shown in FIG. 4;
 FIG. 6 is a rear view taken at 90 degrees from the view shown in FIG. 5;
 FIG. 7 is a front view opposite that shown in FIG. 6;
 FIG. 8 is a front, side perspective view of the switch handle for circuit breakers of FIGS. 1-7, shown in an exemplary environmental view on a respective door of a unit of a circuit breaker;
 FIG. 9 is a front, side perspective view of the switch handle for circuit breakers of FIGS. 1-7, shown in another exemplary environmental view on a door of a unit of a circuit breaker;
 FIG. 10 is a front, side perspective view of the switch handle for circuit breakers shown in FIGS. 1-7, illustrated in an extended lever configuration;
 FIG. 11 is a rear, side perspective view thereof;
 FIG. 12 is a top view thereof (the bottom view is disclaimed);
 FIG. 13 is a side view thereof;
 FIG. 14 is a side view opposite that shown in FIG. 13;
 FIG. 15 is a rear view taken at 90 degrees from the view shown in FIG. 14;

FIG. 16 is a front view opposite that shown in FIG. 15;
 FIG. 17 is a front, side perspective view of the switch handle for circuit breakers of FIGS. 11-16, with the extended lever shown in an exemplary environmental view on a respective door of a unit of a circuit breaker in an exemplary extended lever orientation;
 FIG. 18 is a front, side perspective view of the switch handle for circuit breakers of FIGS. 11-16 with the extended lever shown in another exemplary environmental view on a door of a unit of a circuit breaker;
 FIG. 19 is a front, side perspective view of a third embodiment of the switch handle for circuit breakers showing our design;
 FIG. 20 is a rear, side perspective view thereof;
 FIG. 21 is a top view thereof (the bottom view is disclaimed);
 FIG. 22 is a side view thereof;
 FIG. 23 is a side view opposite that shown in FIG. 22;
 FIG. 24 is a rear view taken at 90 degrees from the view shown in FIG. 23;
 FIG. 25 is a front view opposite that shown in FIG. 24;
 FIG. 26 is a front, side perspective view of the switch handle for circuit breakers of FIG. 19, shown in an exemplary environmental view on a respective door of a unit of a circuit breaker;
 FIG. 27 is a front, side perspective view of the switch handle for circuit breakers of FIG. 19, shown in another exemplary environmental view on a door of a unit of a circuit breaker;
 FIG. 28 is a front, side perspective view of the switch handle for circuit breakers shown in FIGS. 19-27, illustrated in an extended lever configuration;
 FIG. 29 is a rear, side perspective view thereof;
 FIG. 30 is a top view thereof (the bottom view is disclaimed);
 FIG. 31 is a side view thereof;
 FIG. 32 is a side view opposite that shown in FIG. 31;
 FIG. 33 is a rear view taken at 90 degrees from the view shown in FIG. 32;
 FIG. 34 is a front view opposite that shown in FIG. 33;
 FIG. 35 is a front, side perspective view of the switch handle for circuit breakers of FIG. 28, with the extended lever shown in an exemplary environmental view on a respective door of a unit of a circuit breaker in an exemplary extended lever orientation; and;
 FIG. 36 is a front, side perspective view of the switch handle for circuit breakers of FIG. 28, with the extended lever shown in another exemplary environmental view on a door of a unit of a circuit breaker.
 The broken lines shown herein are for illustrative purposes only and form no part of the claimed design.

1 Claim, 22 Drawing Sheets

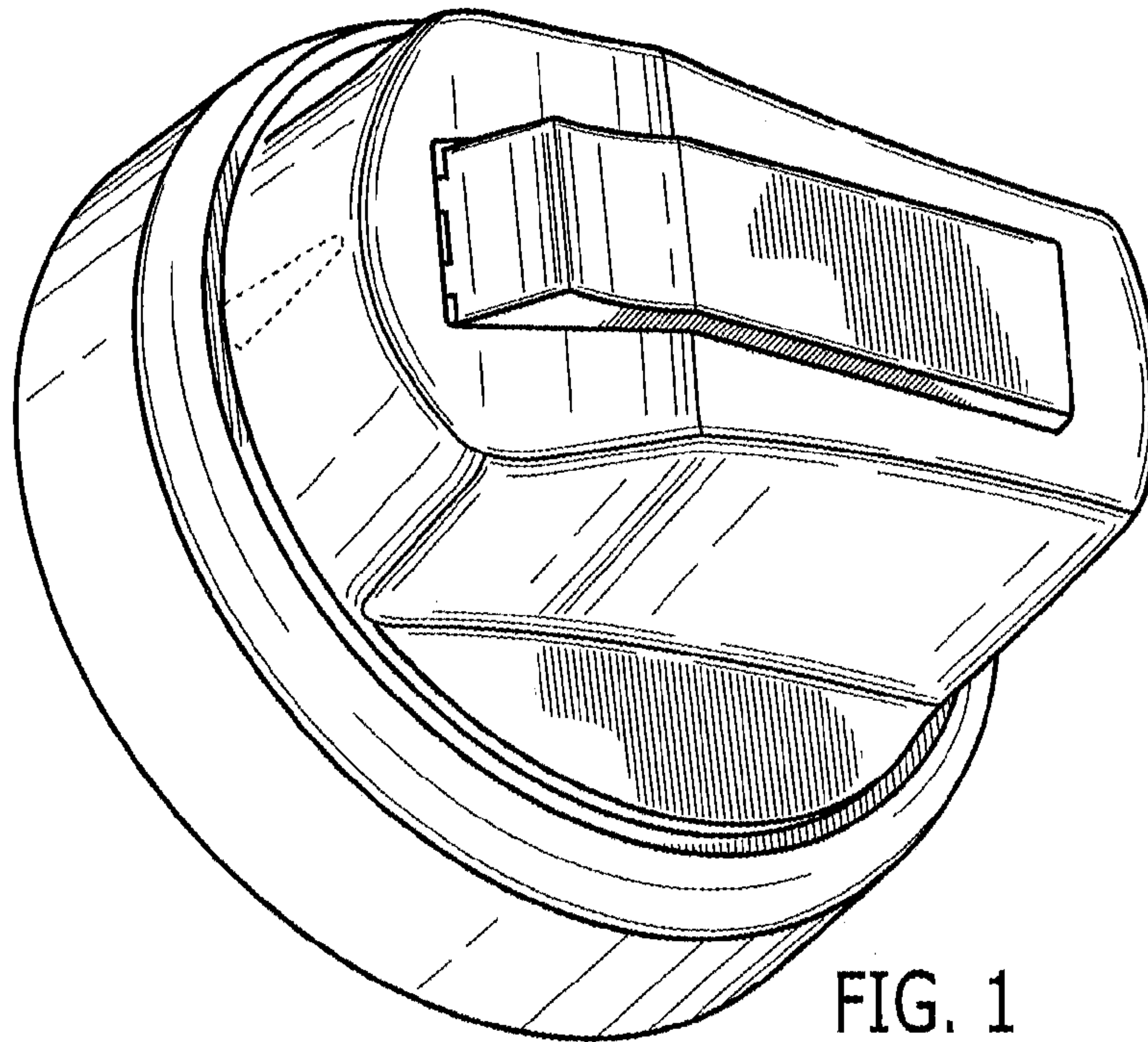


FIG. 1

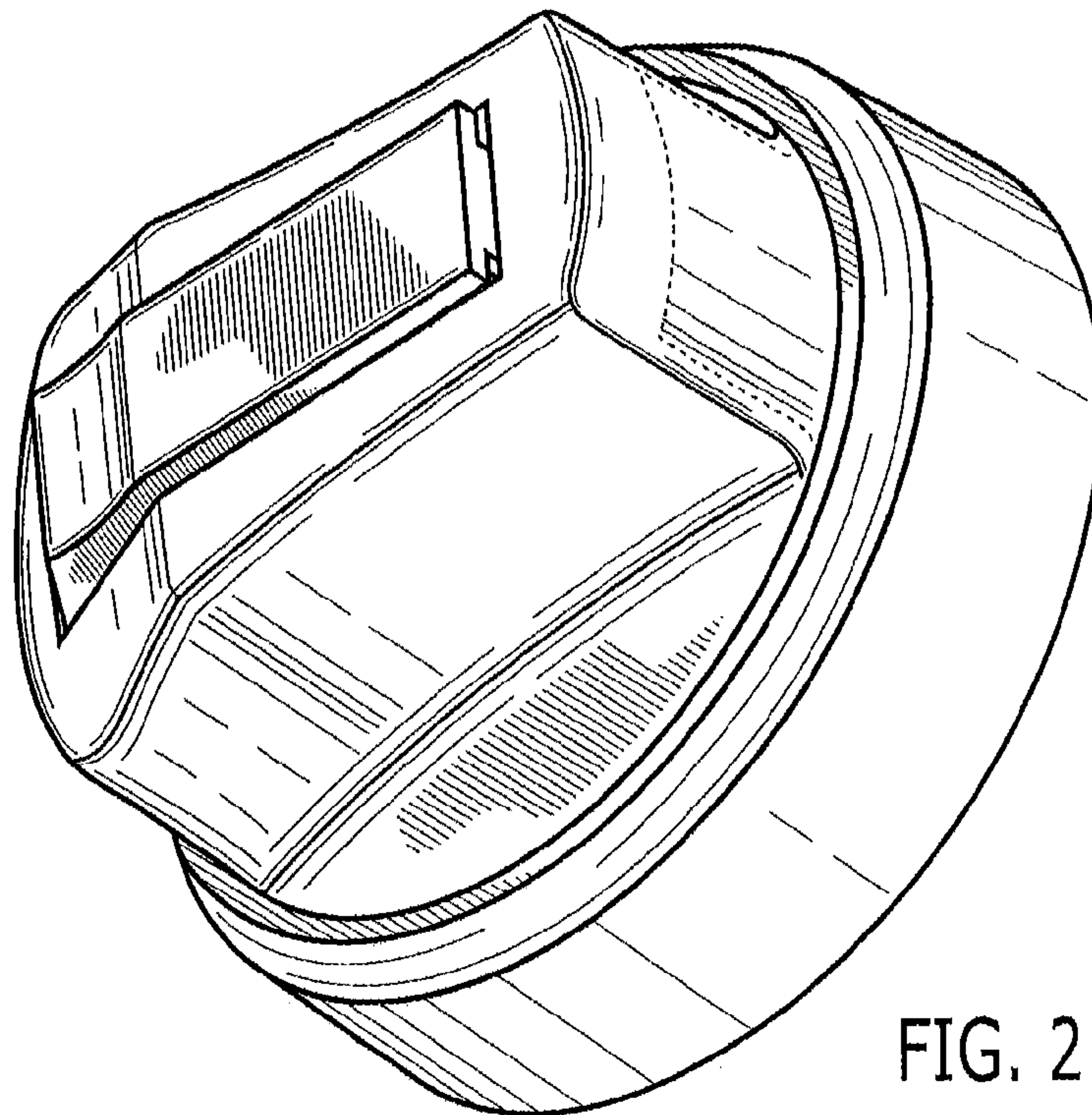


FIG. 2

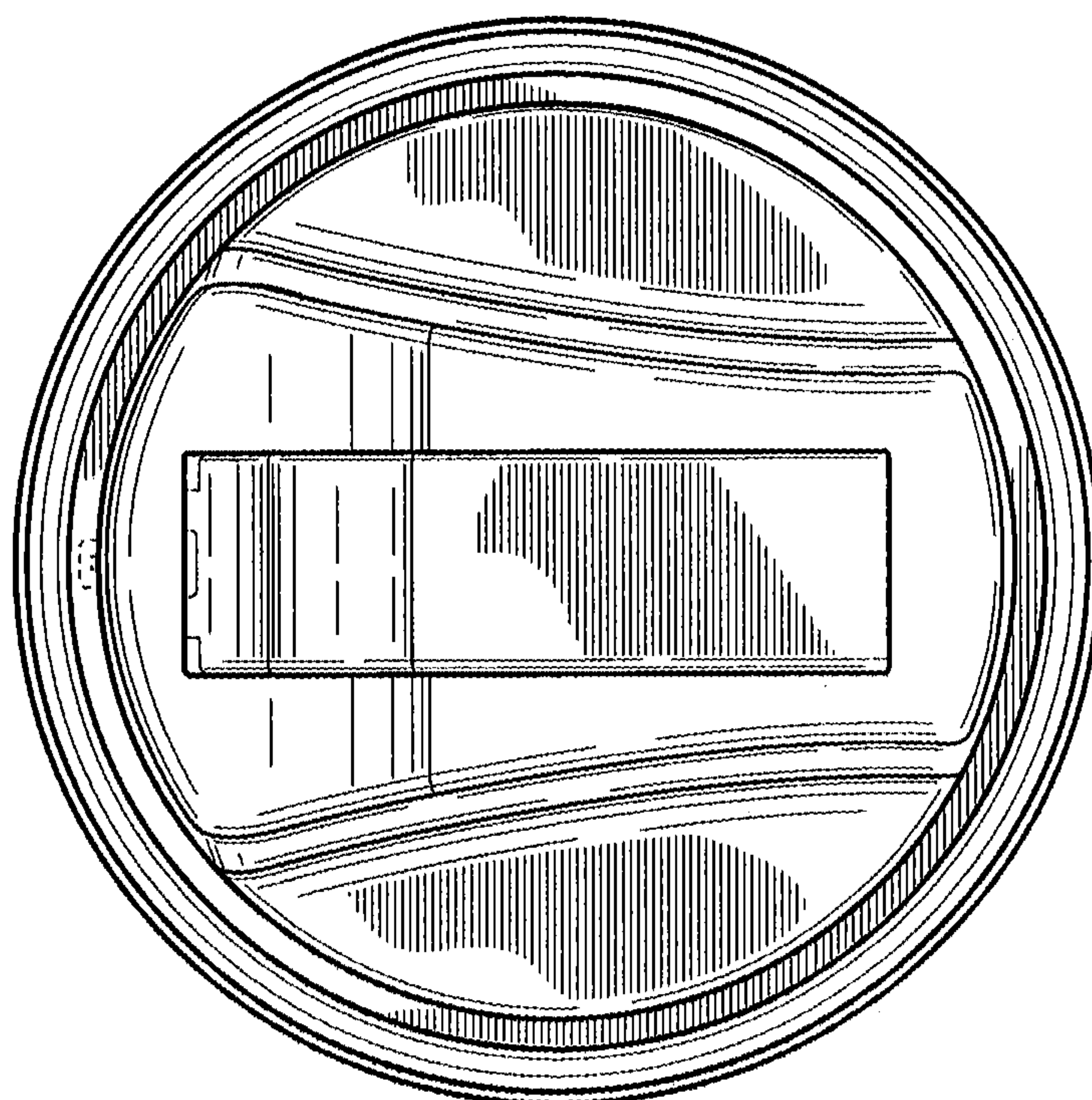


FIG. 3

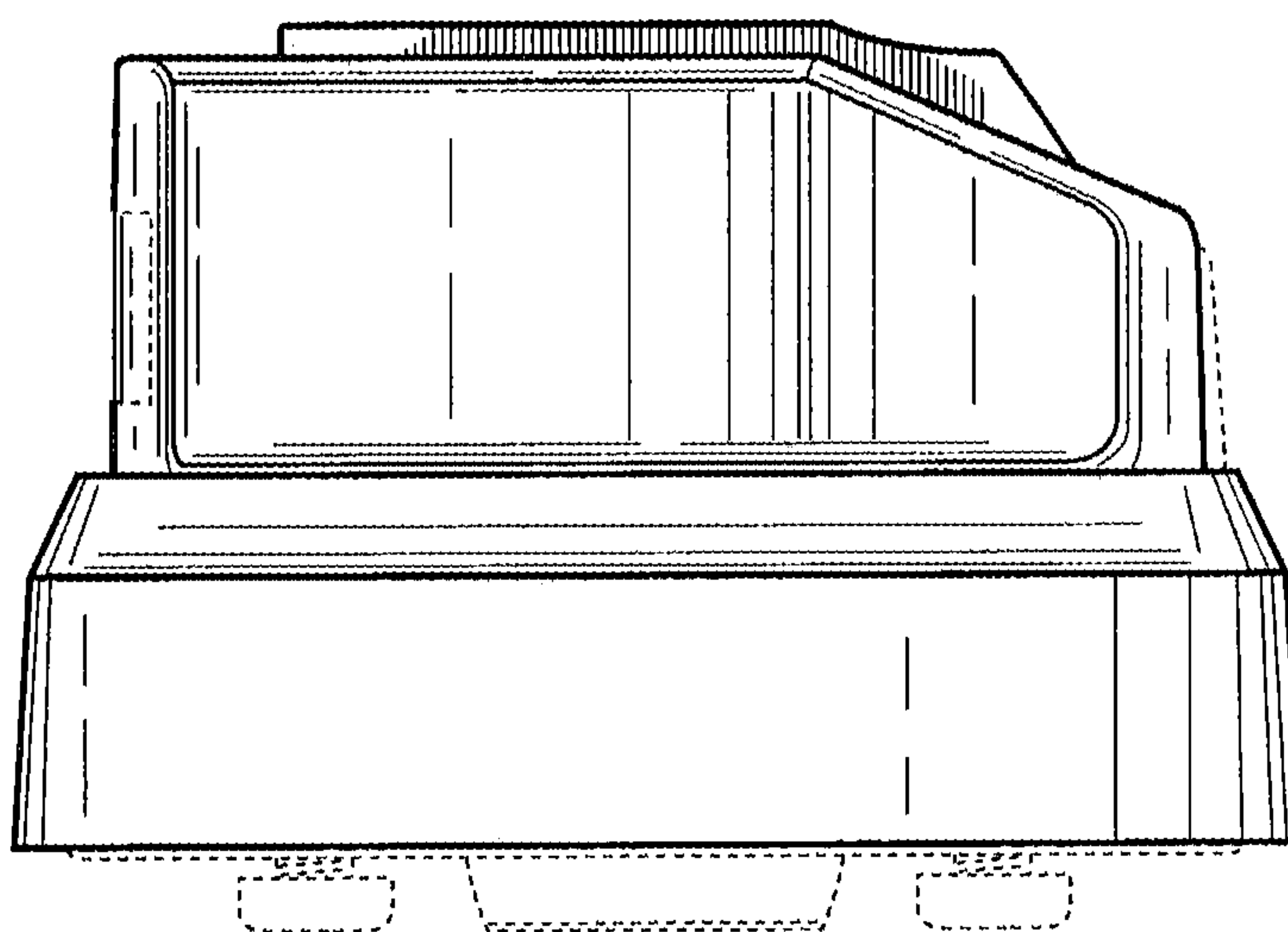


FIG. 4

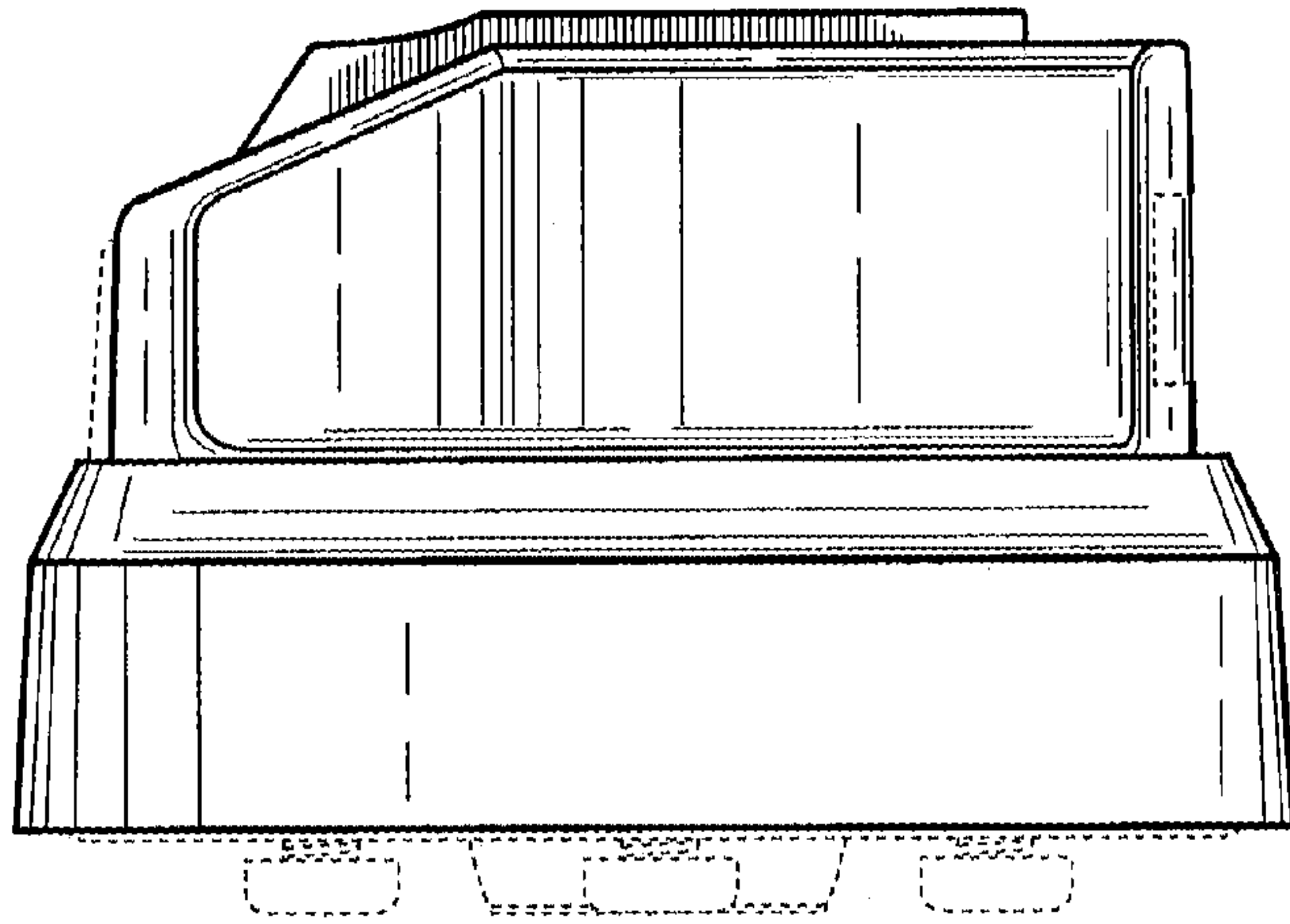


FIG. 5

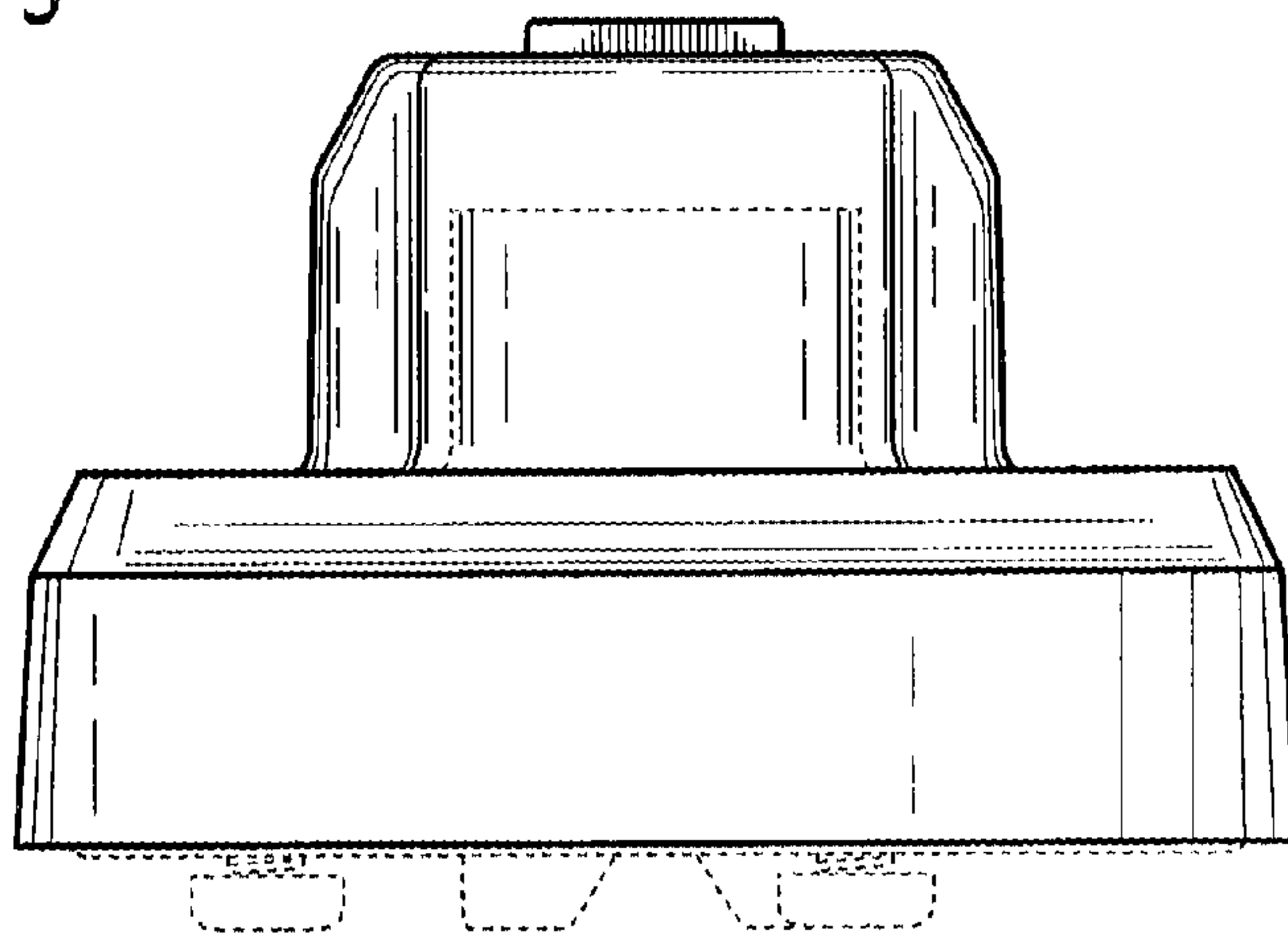


FIG. 6

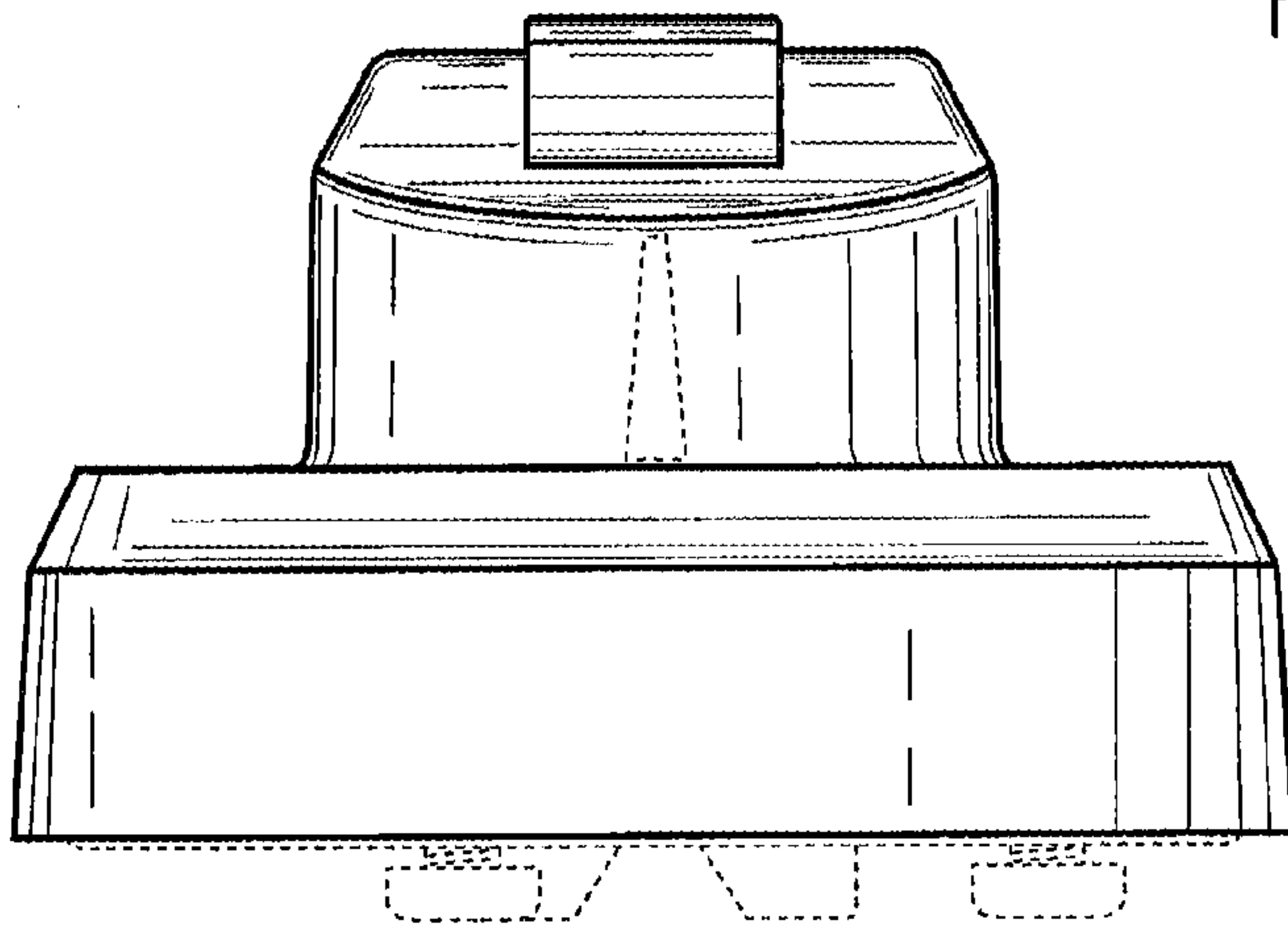


FIG. 7

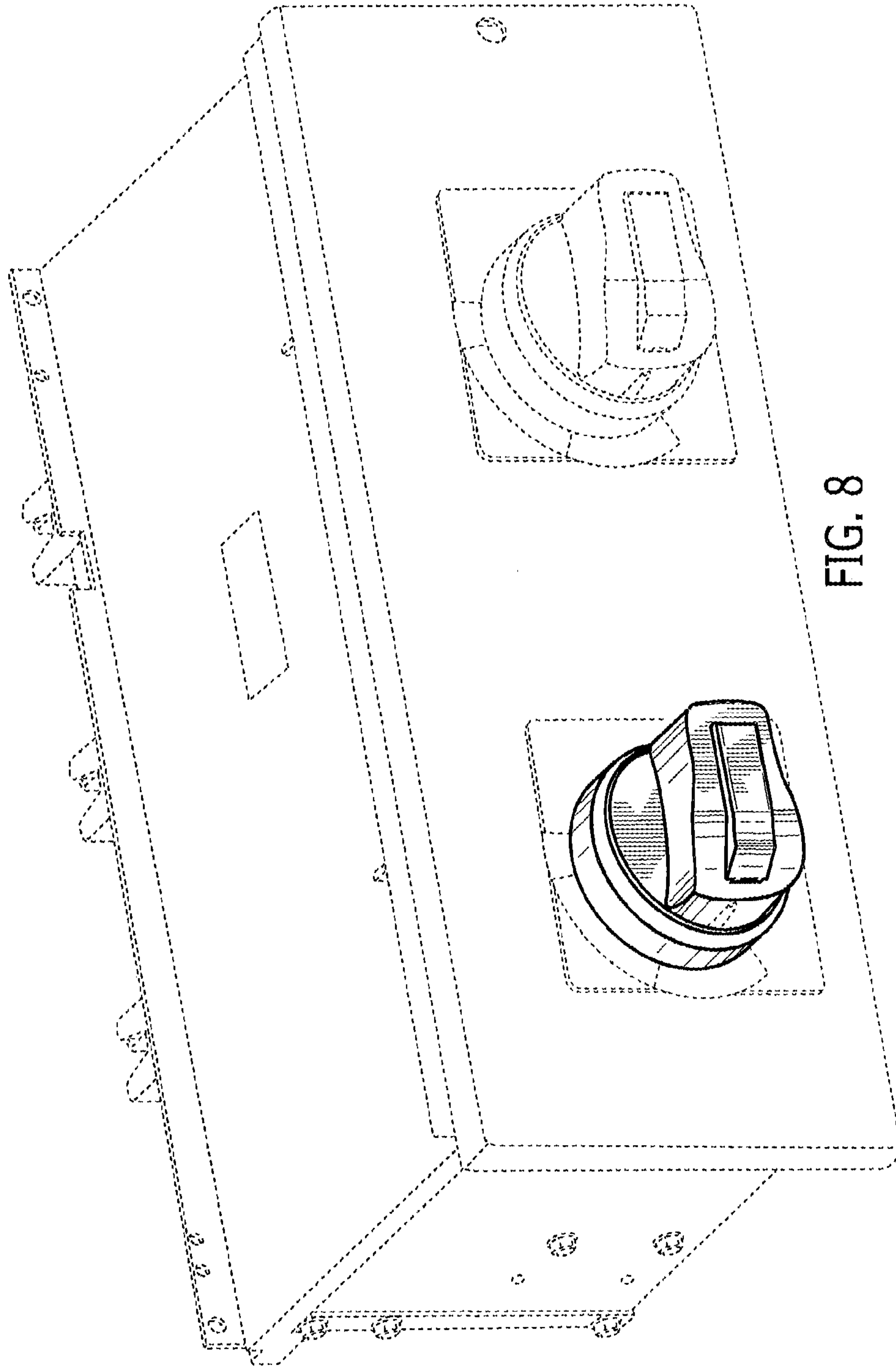


FIG. 8

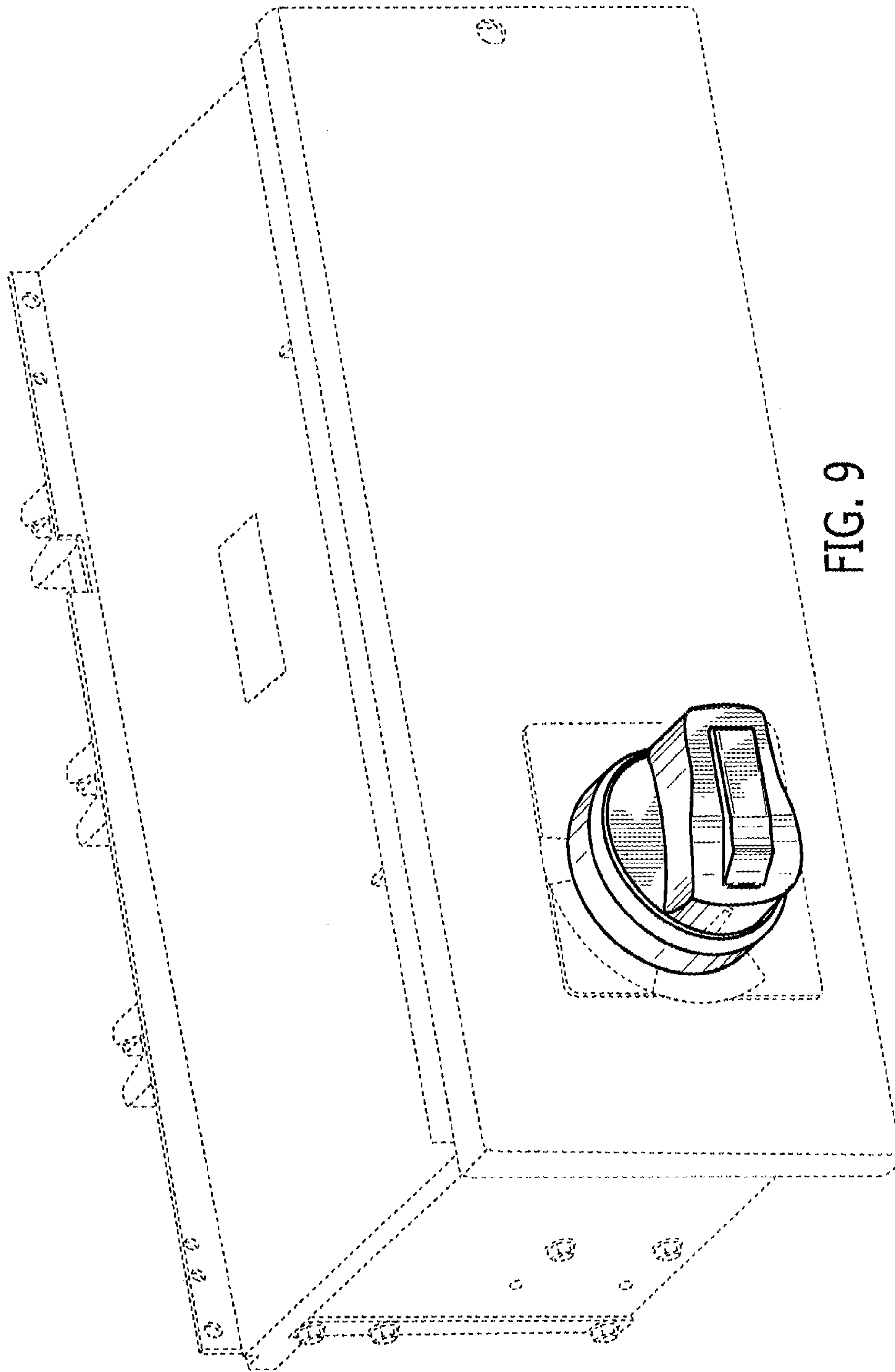


FIG. 9

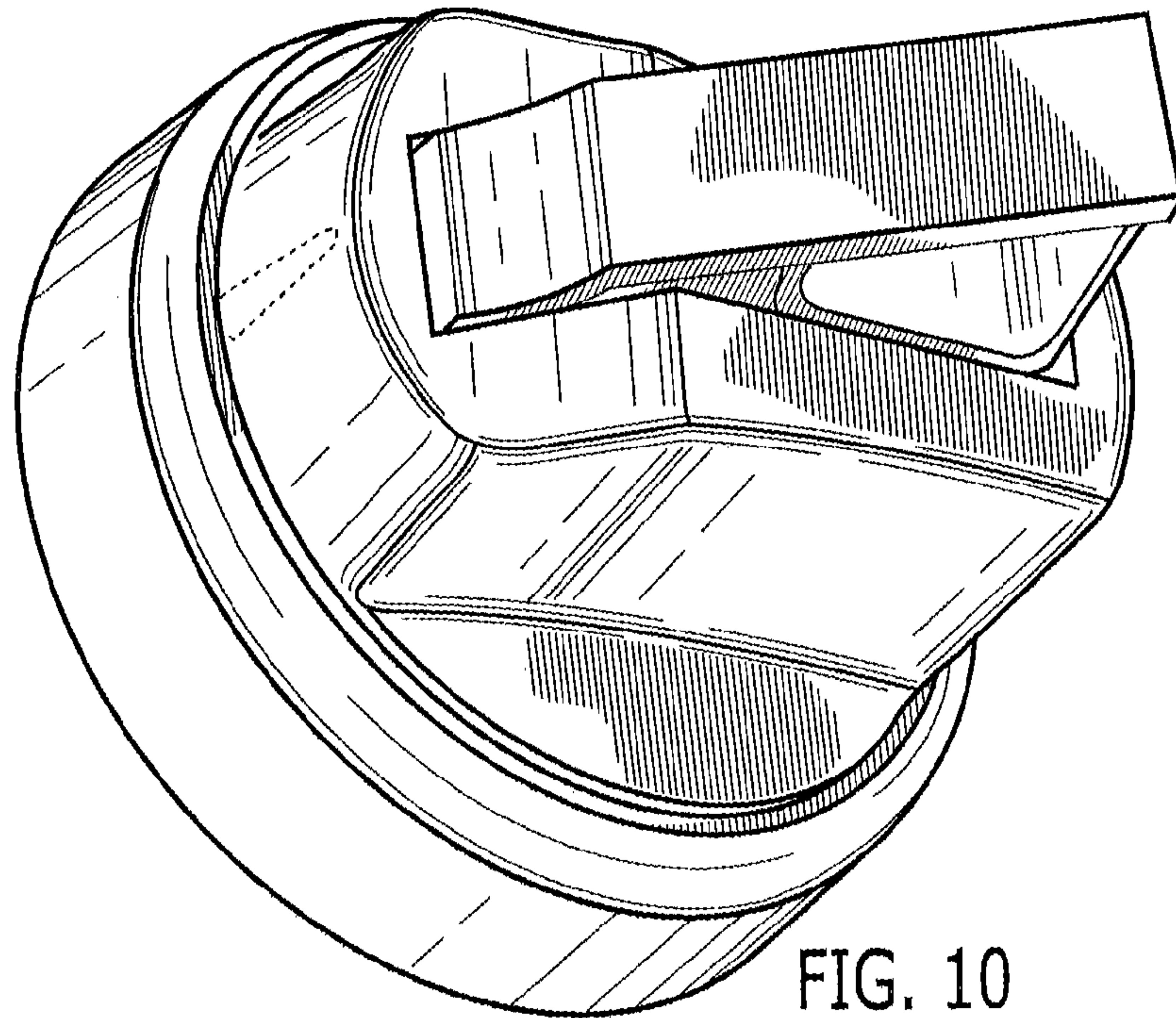


FIG. 10

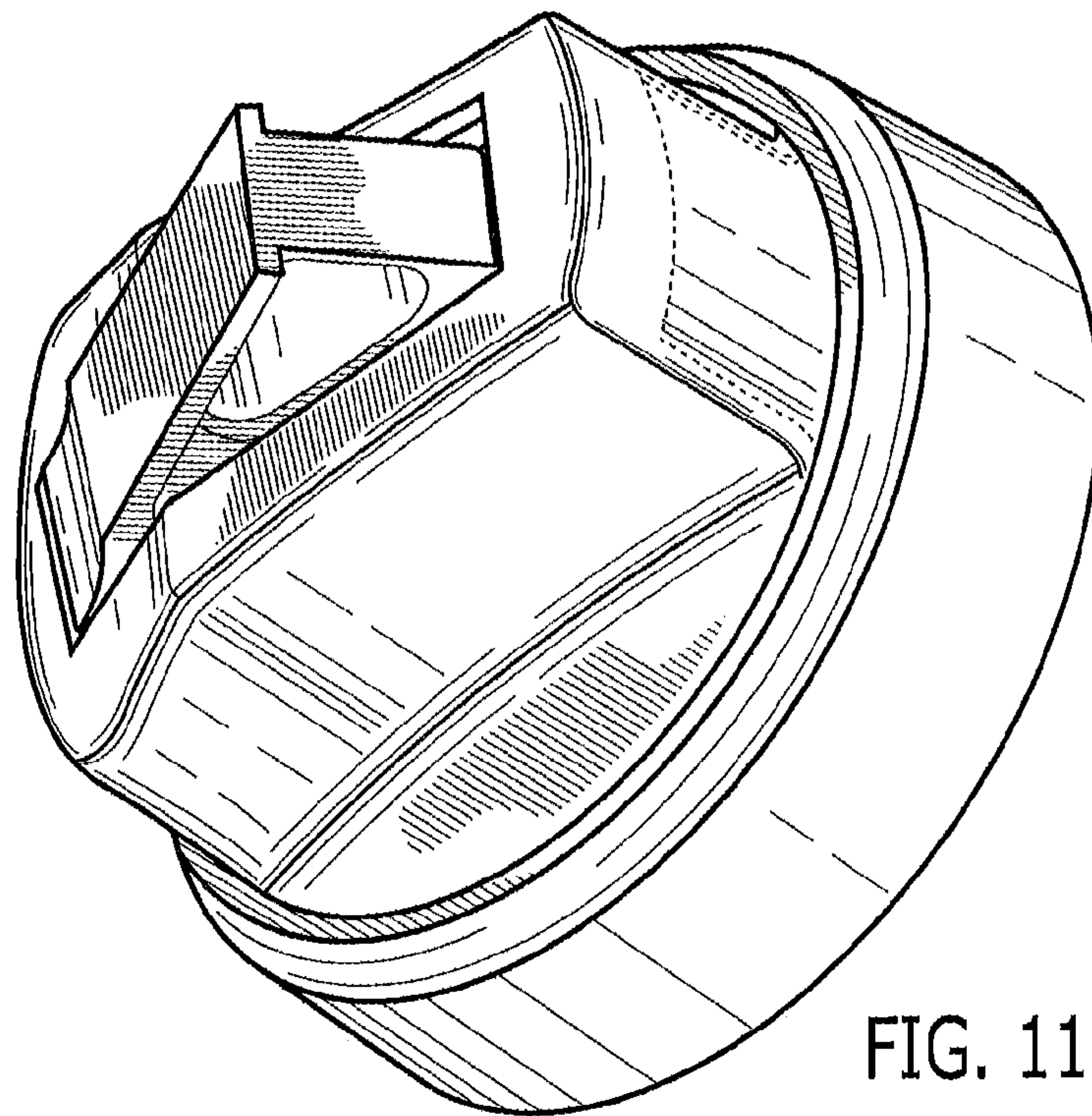


FIG. 11

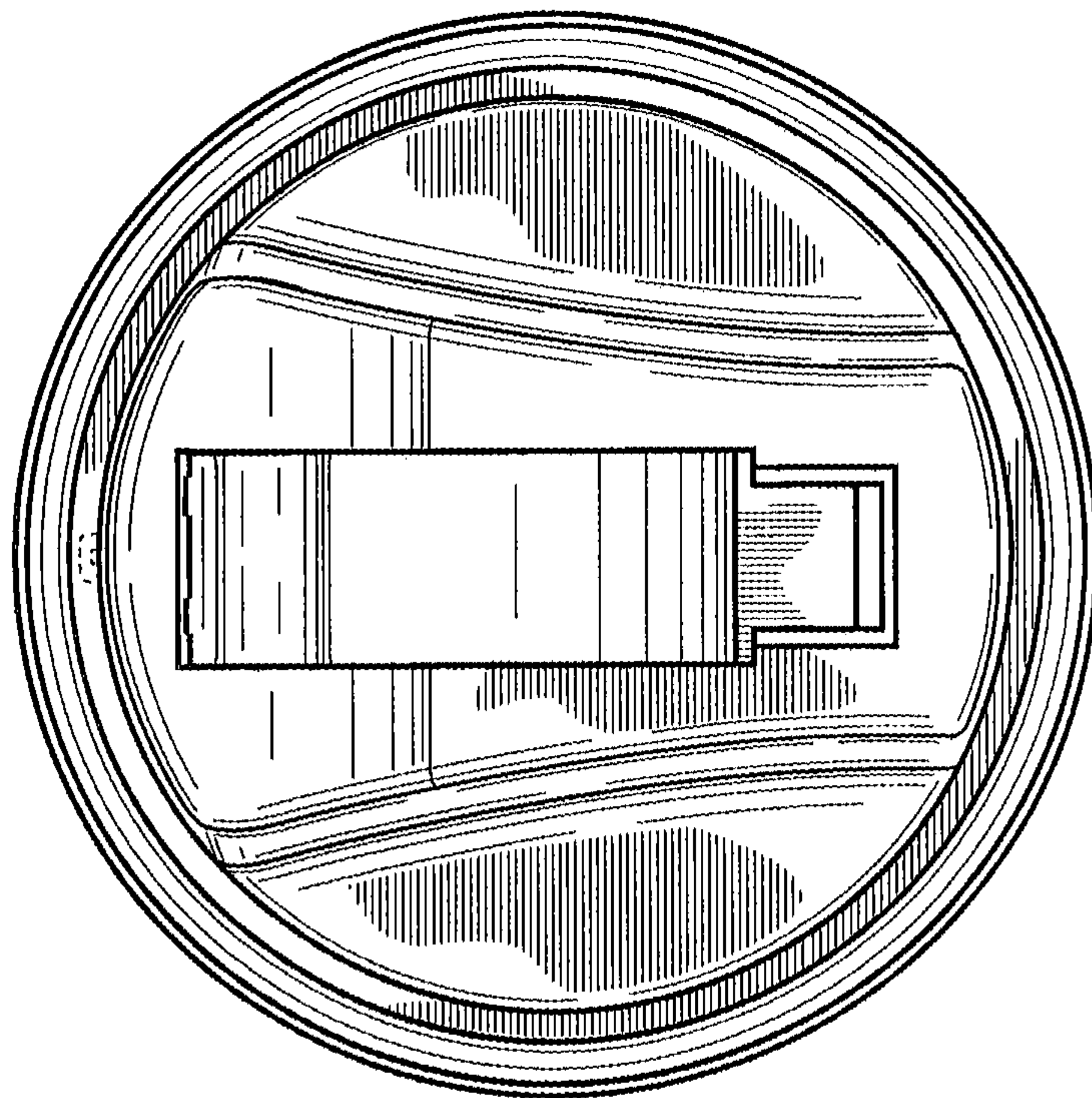


FIG. 12

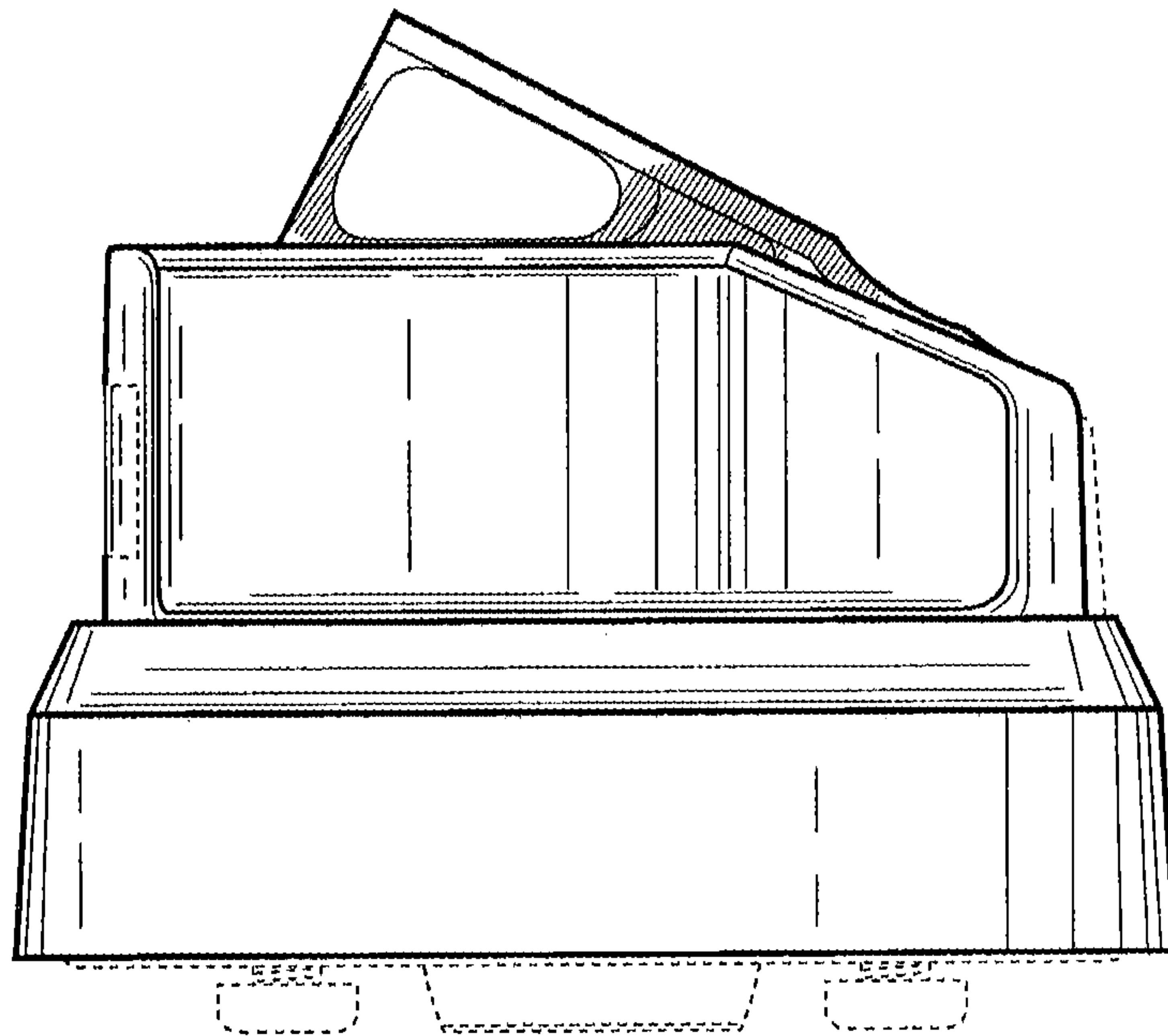


FIG. 13

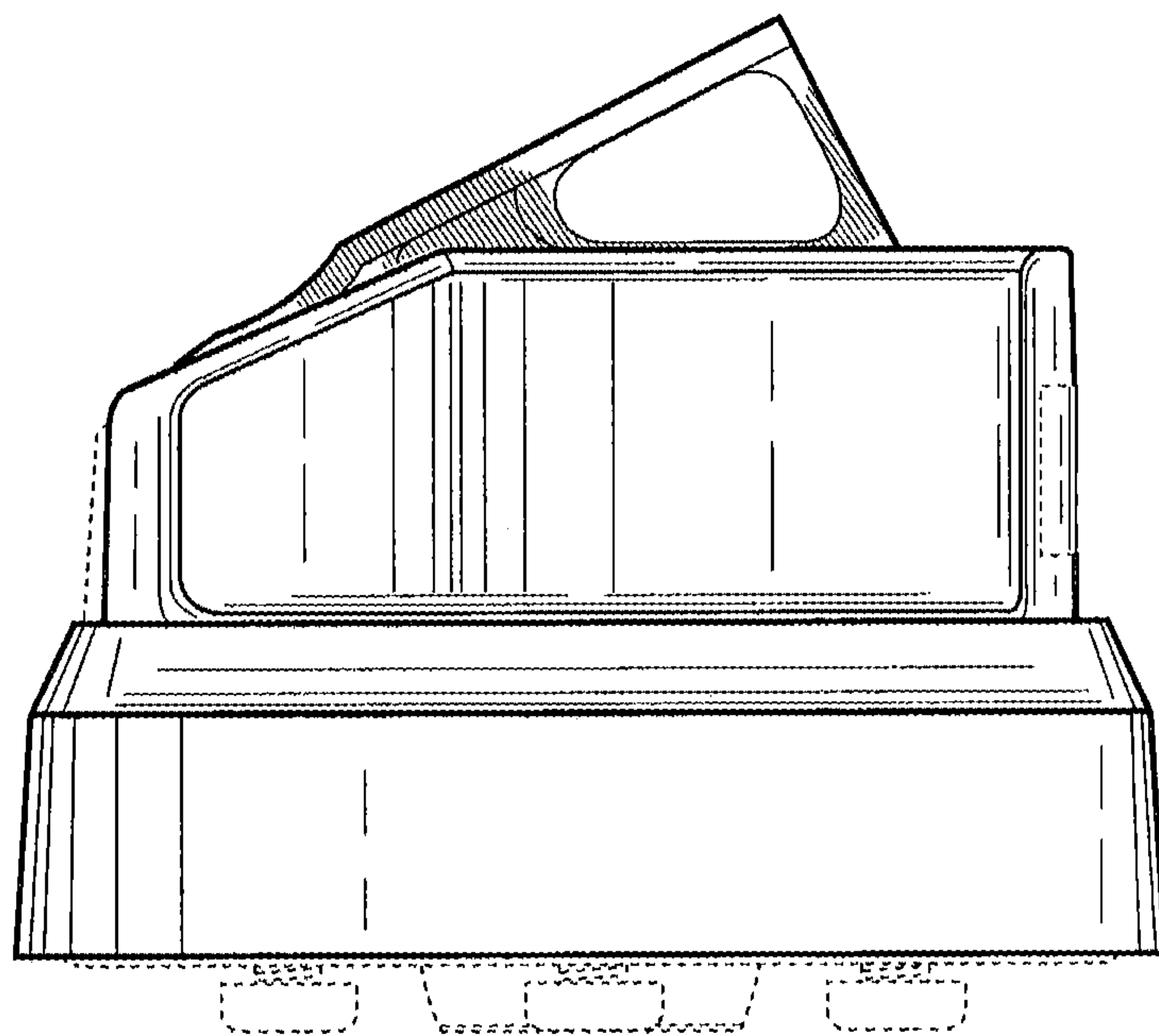


FIG. 14

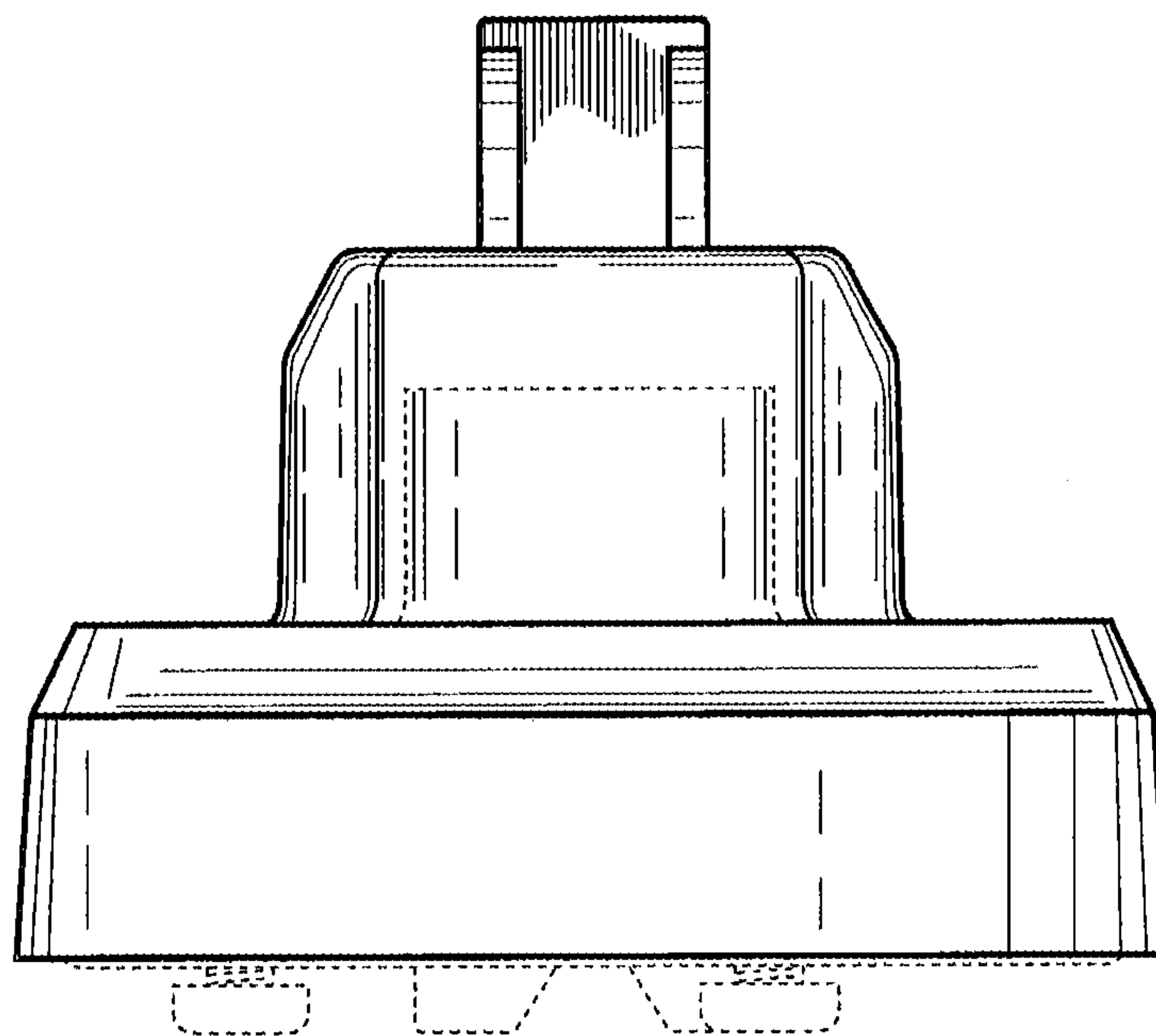


FIG. 15

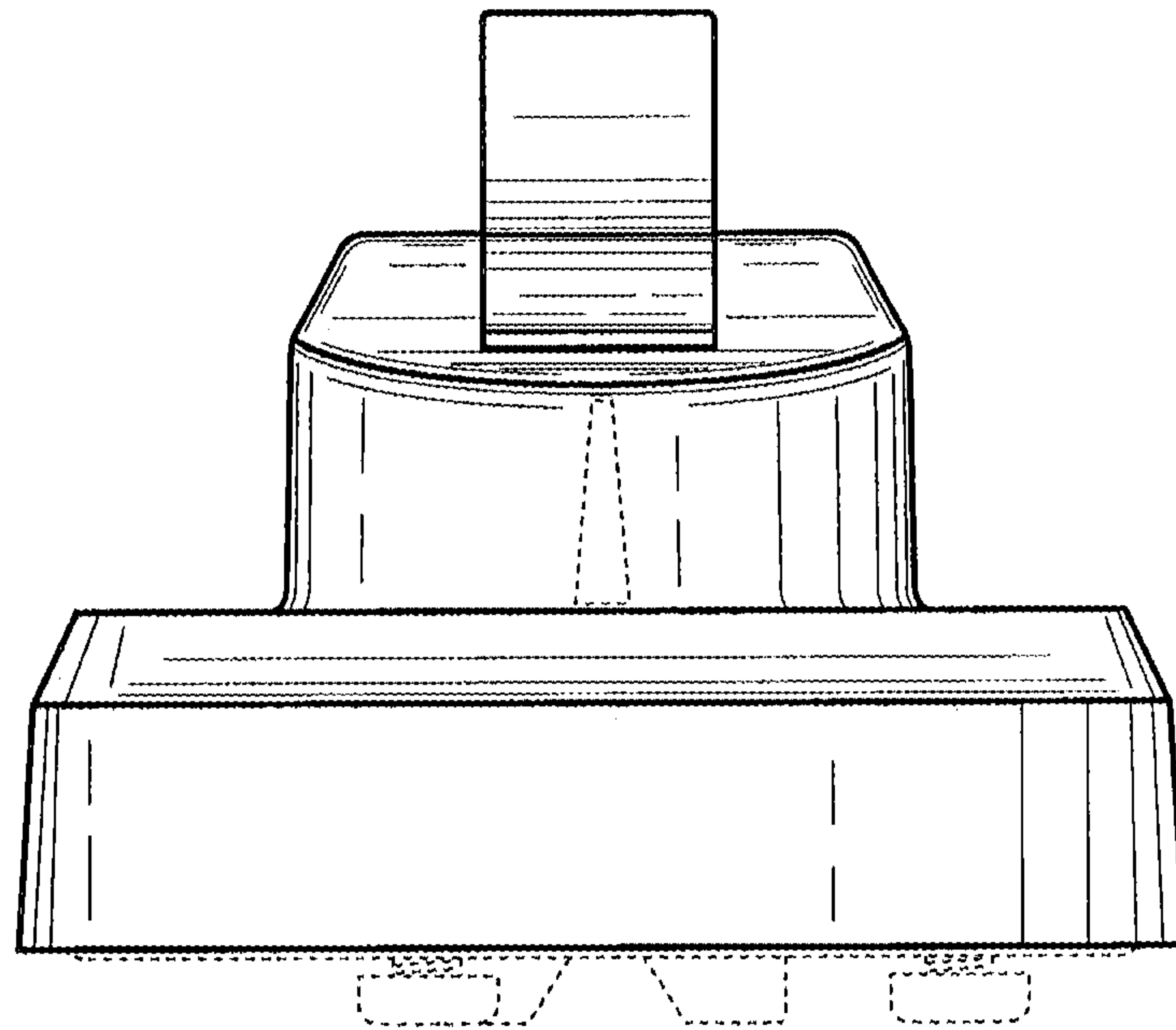


FIG. 16

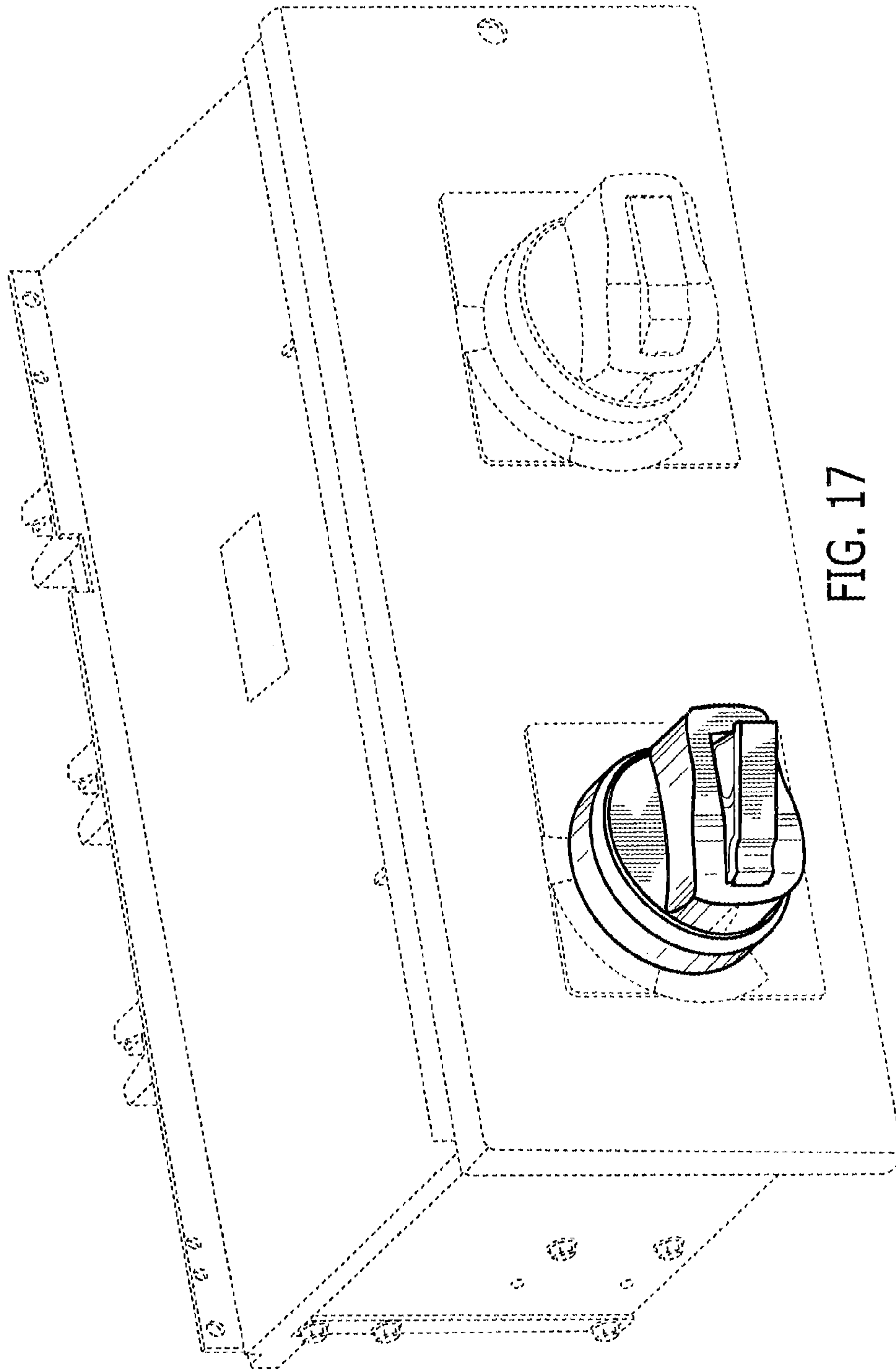


FIG. 17

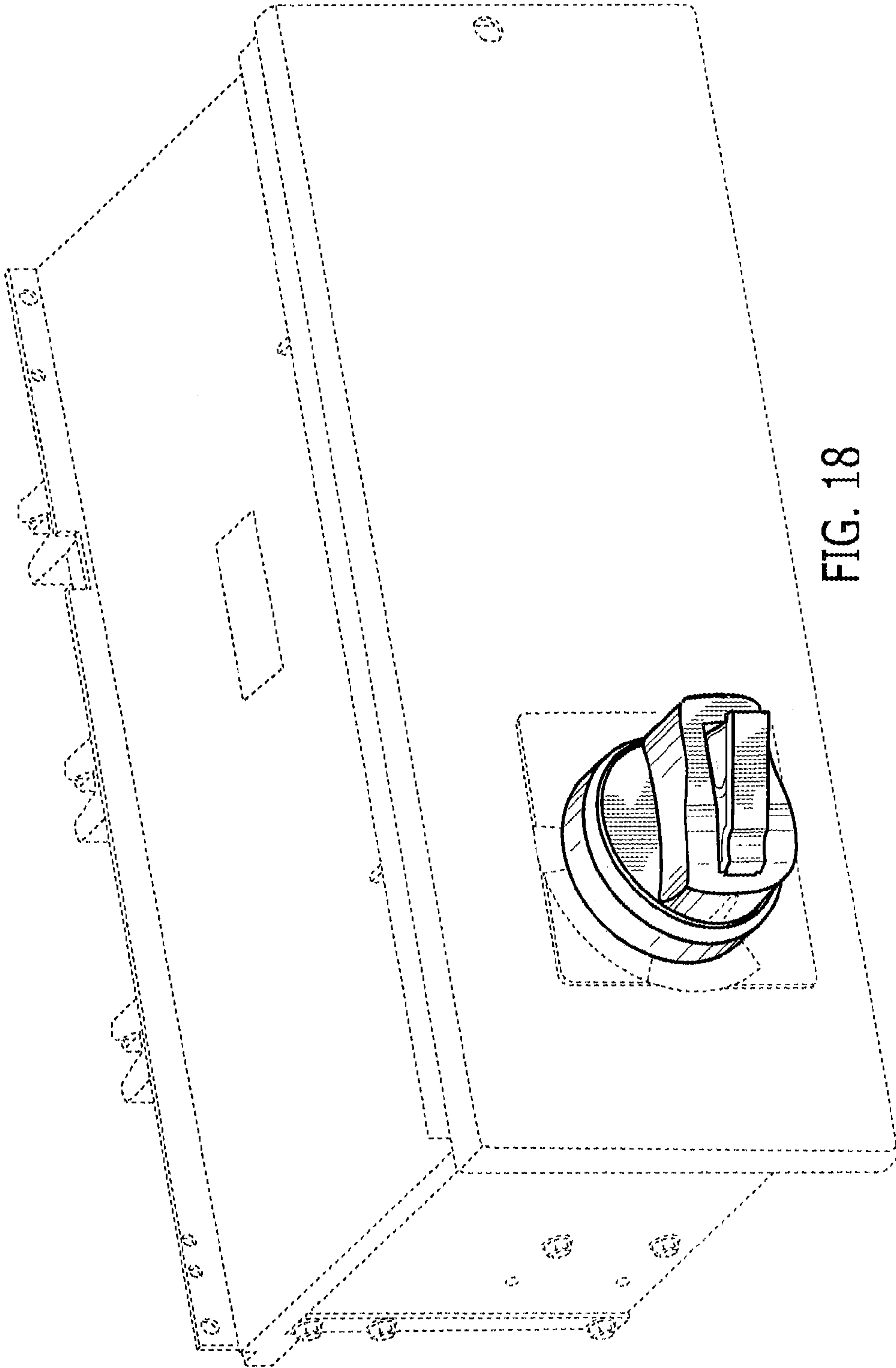
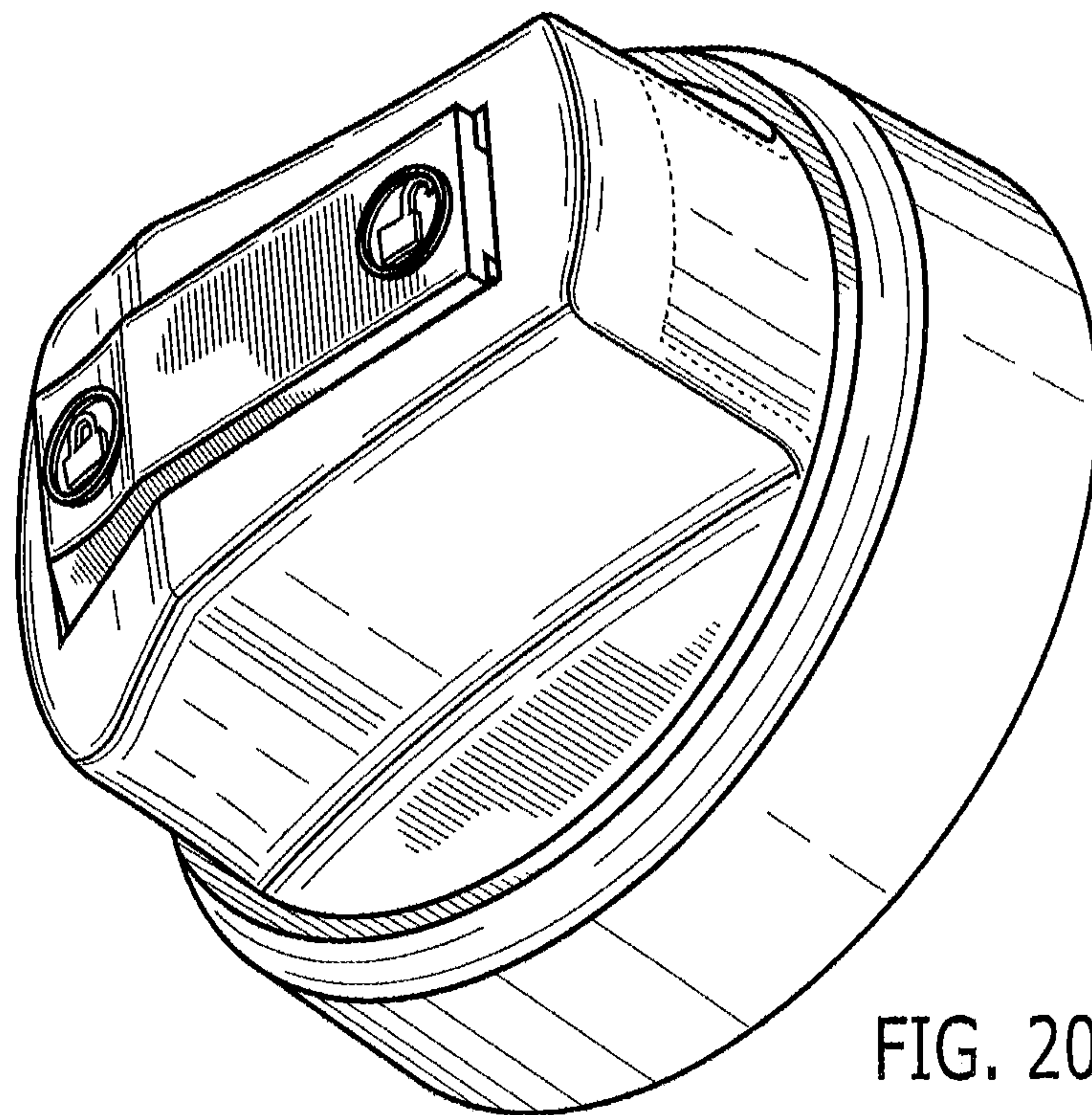
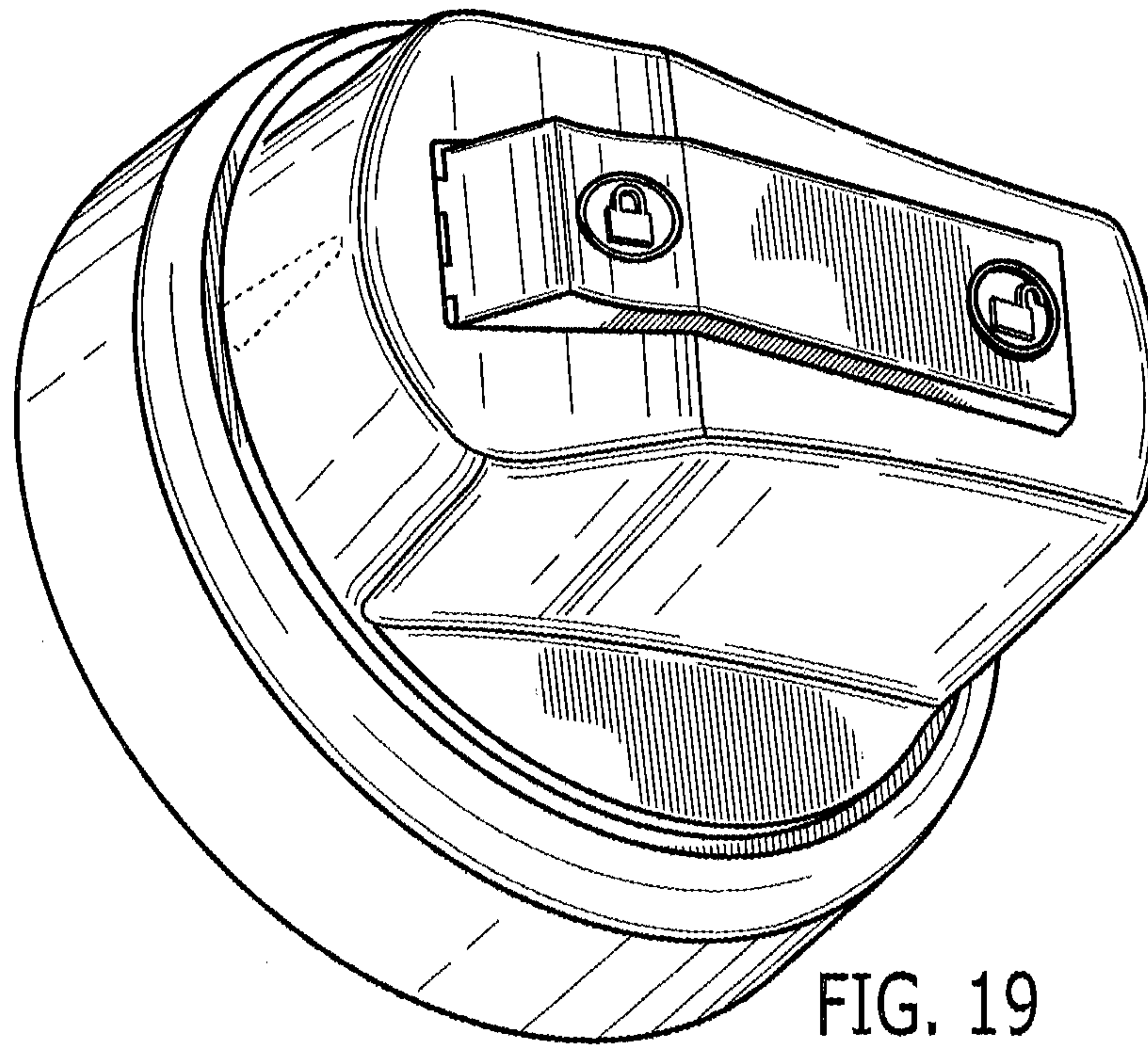


FIG. 18



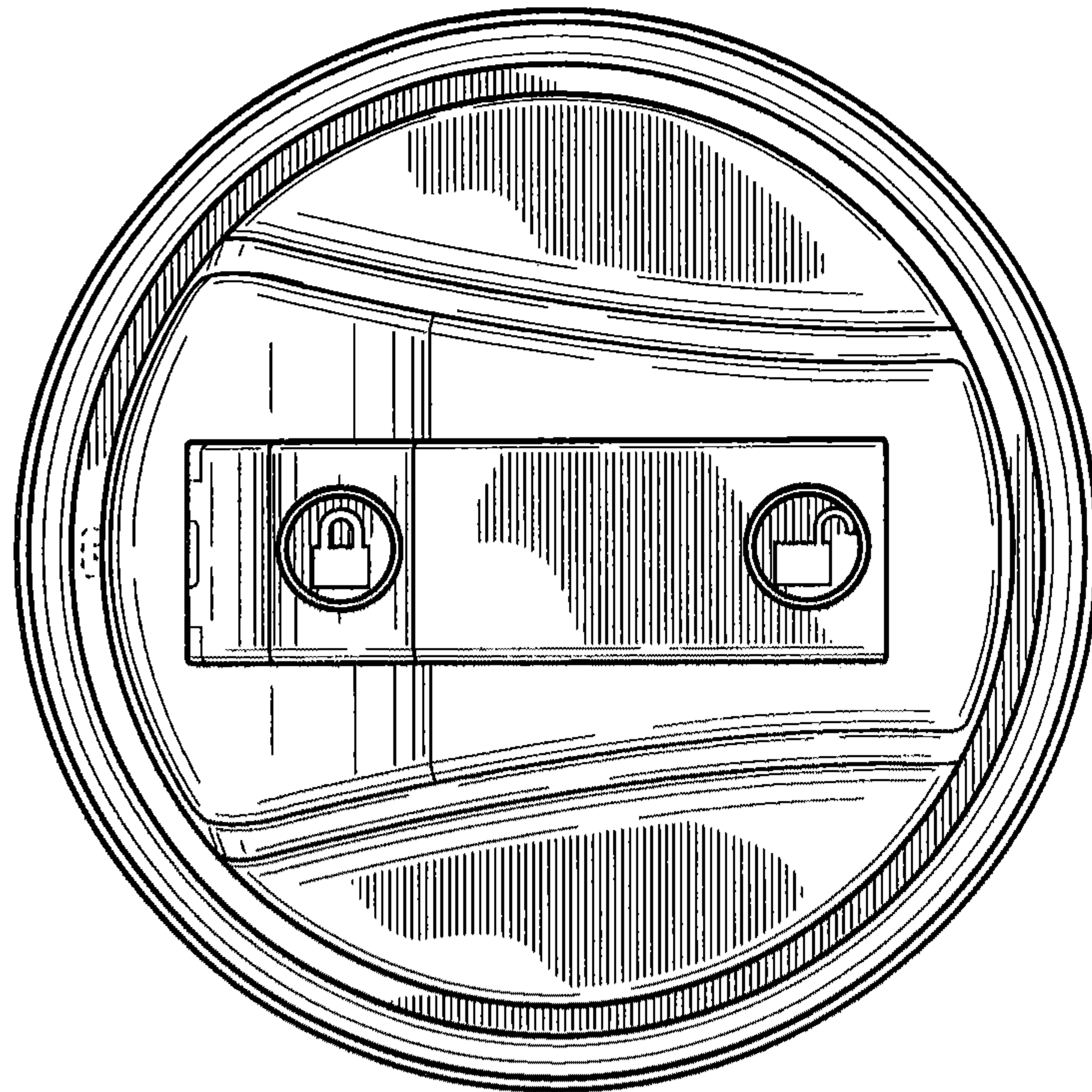


FIG. 21

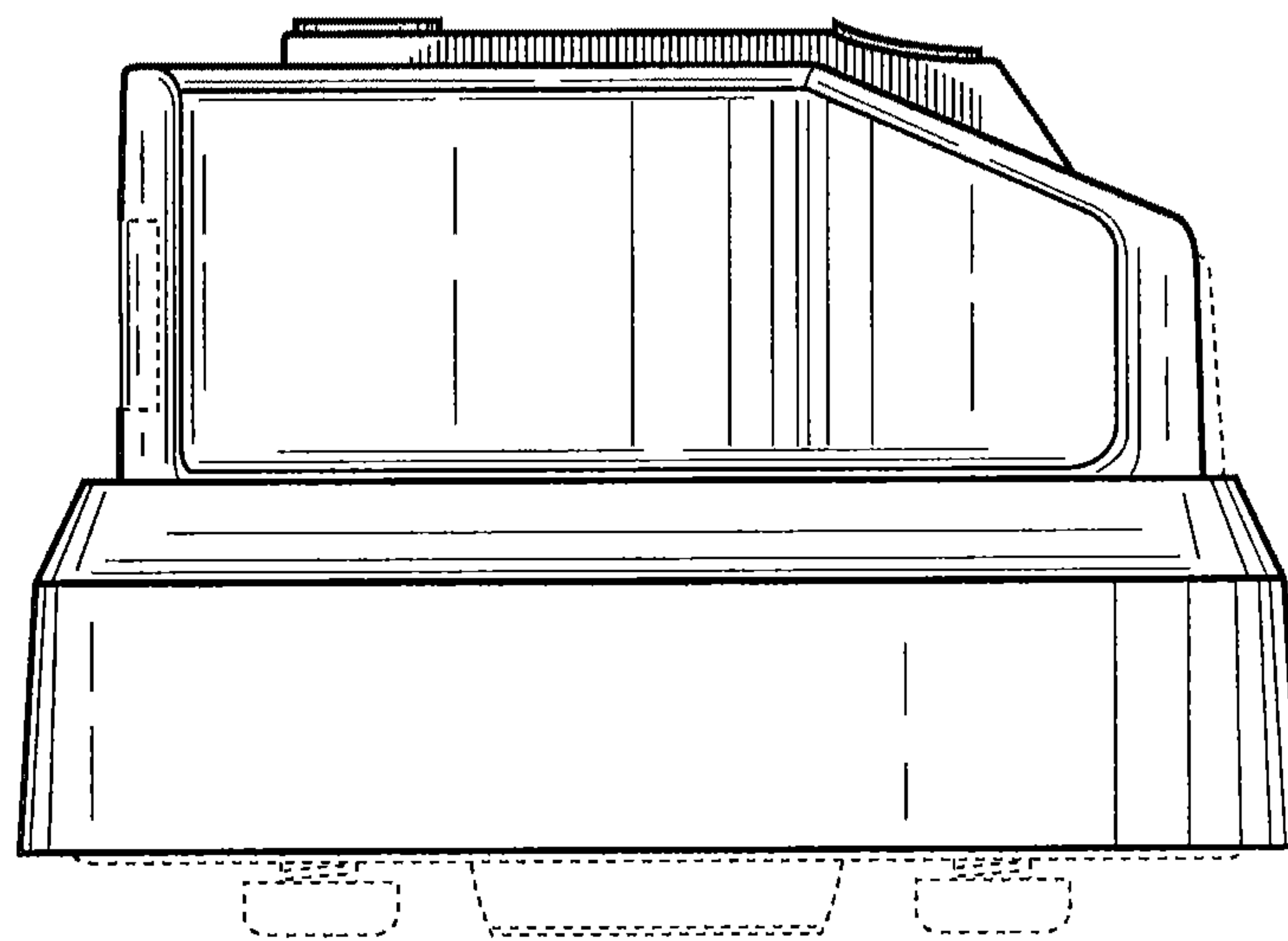


FIG. 22

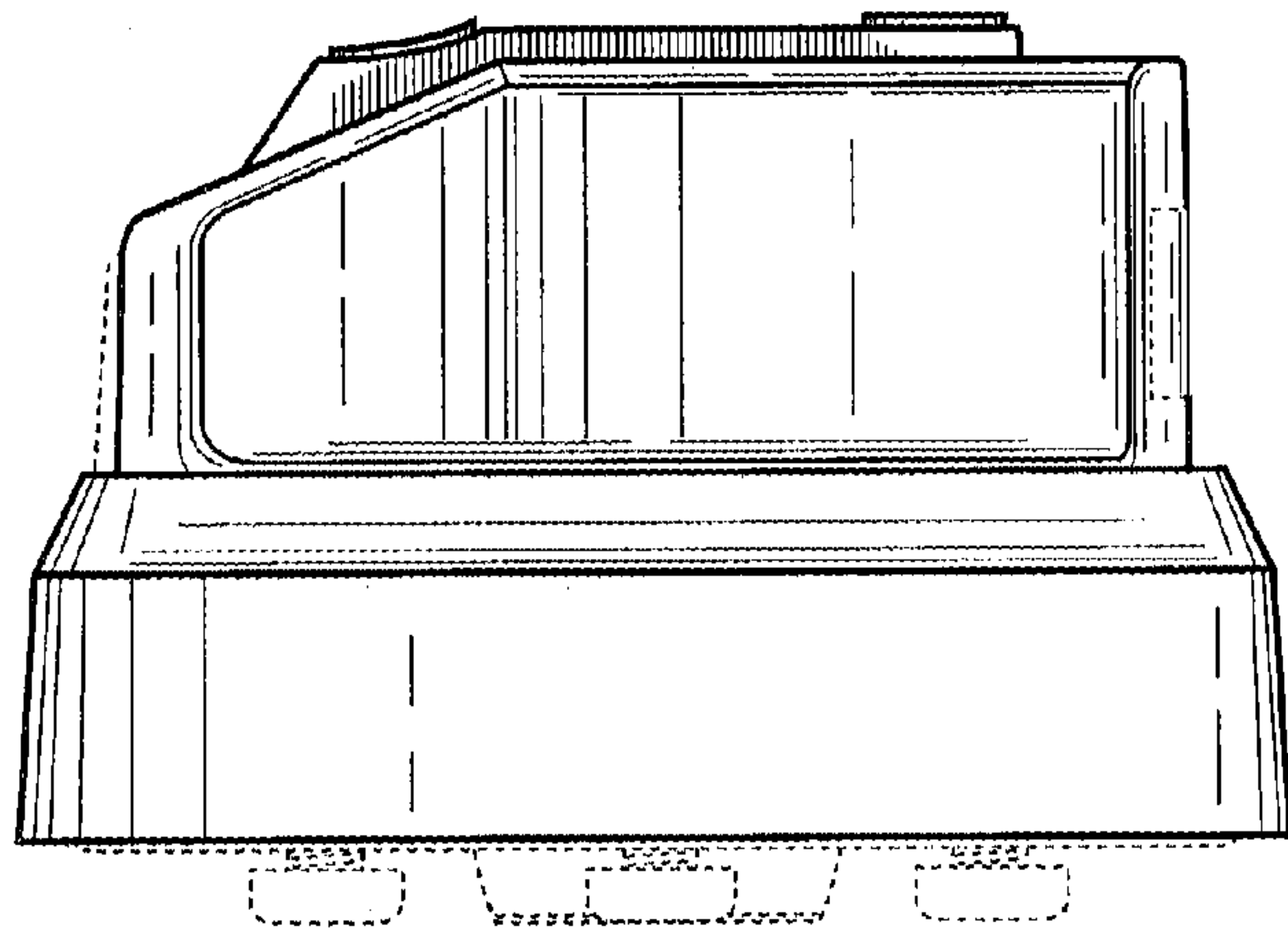


FIG. 23

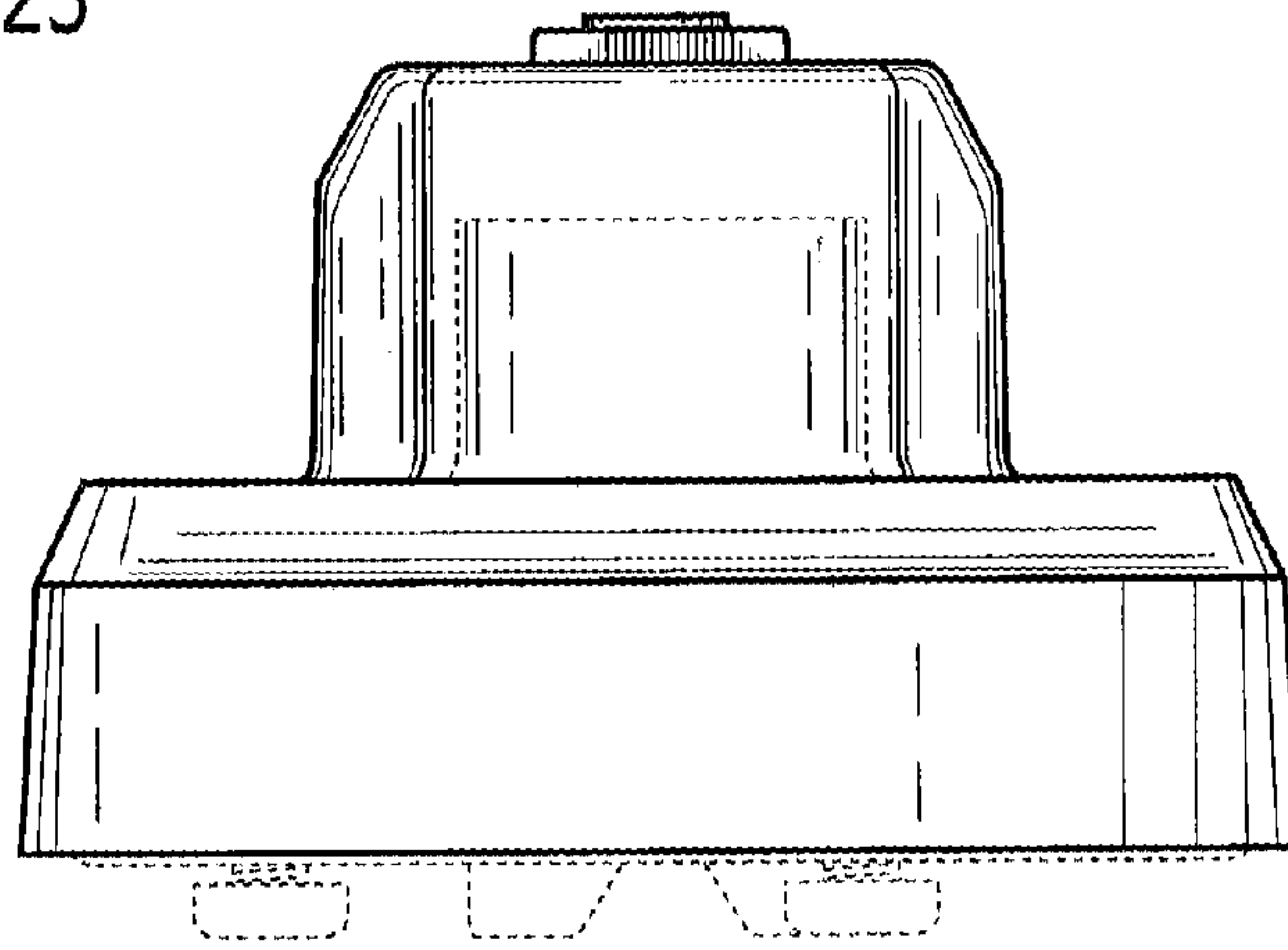


FIG. 24

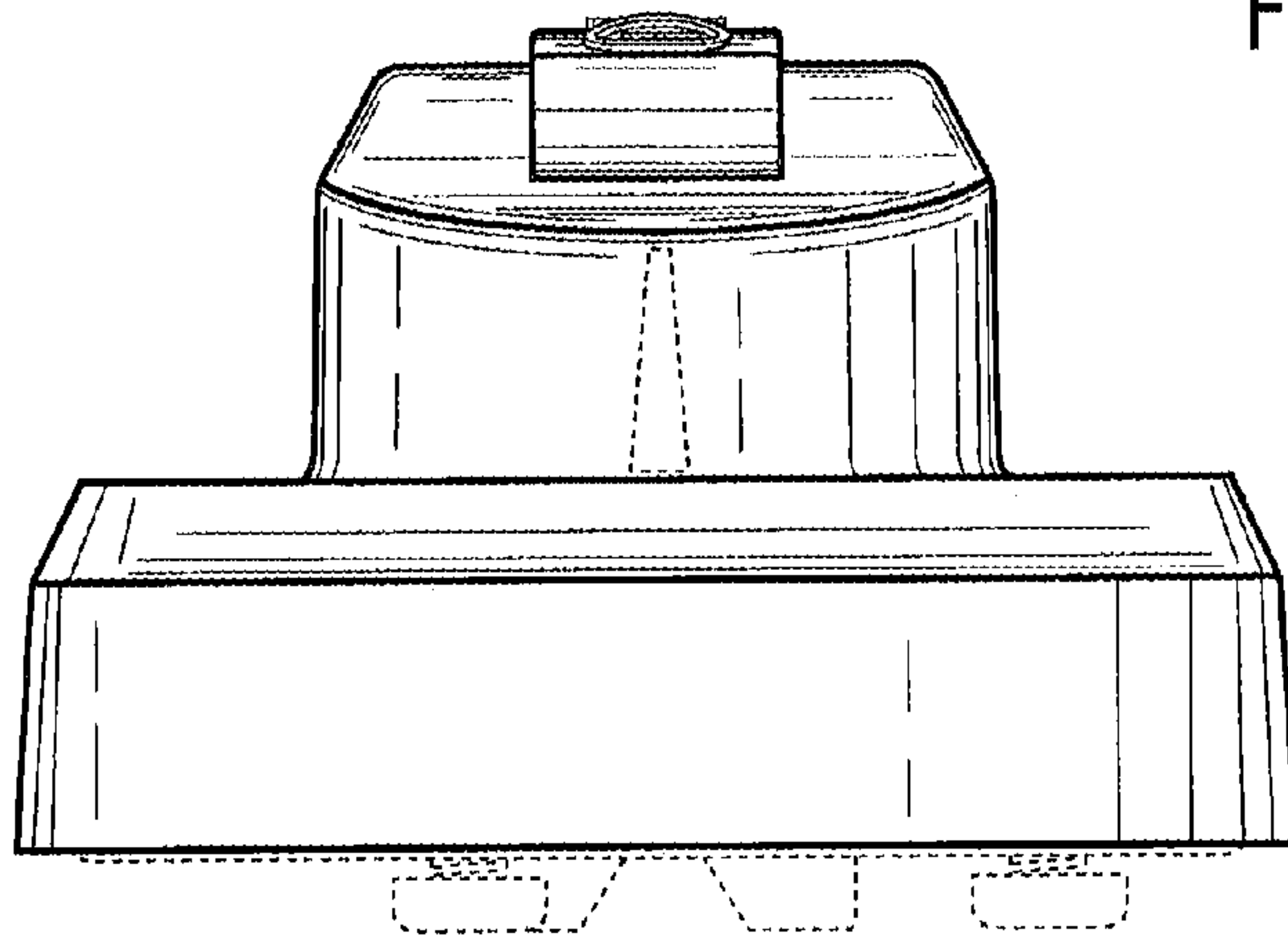


FIG. 25

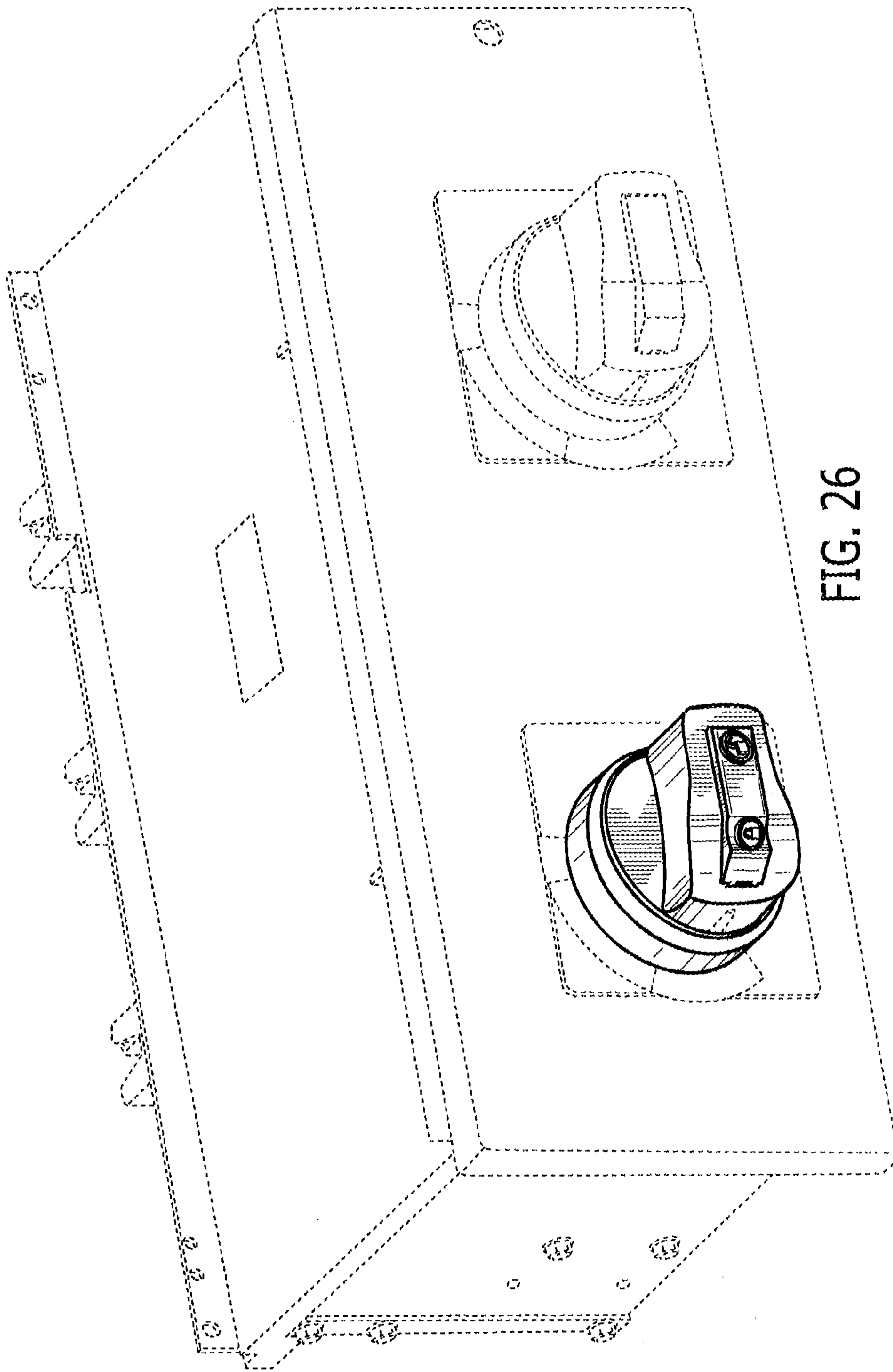


FIG. 26

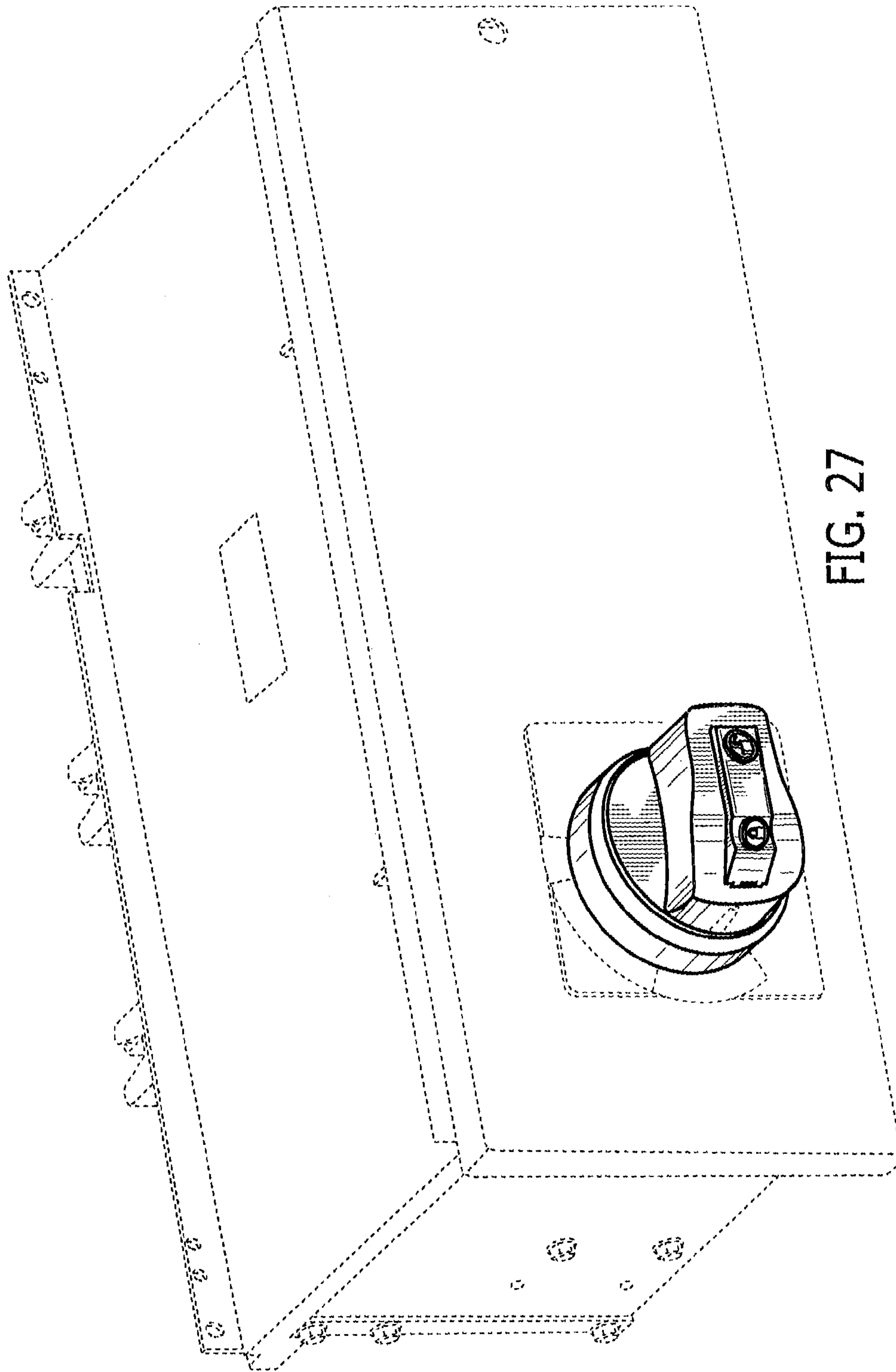
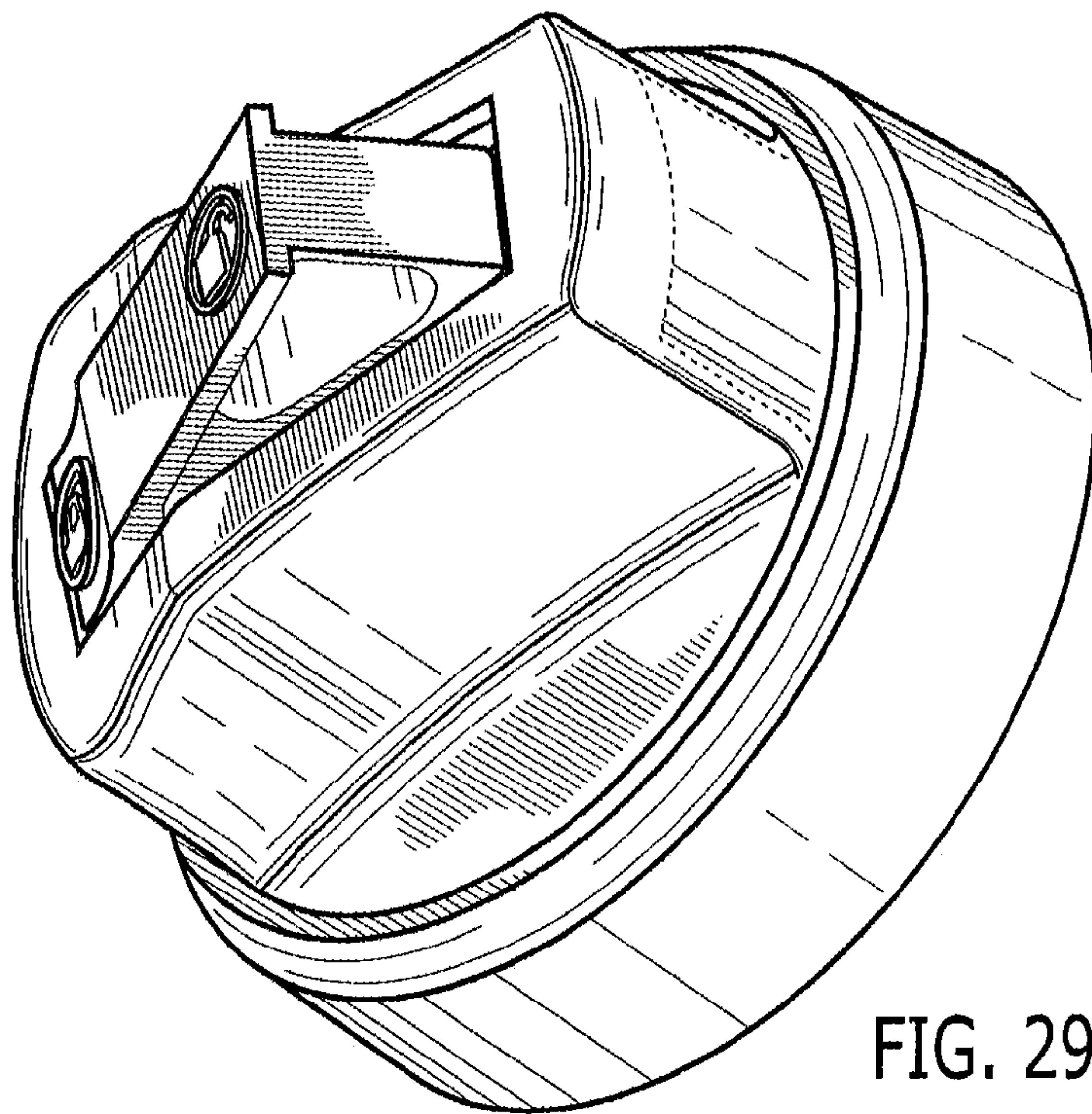
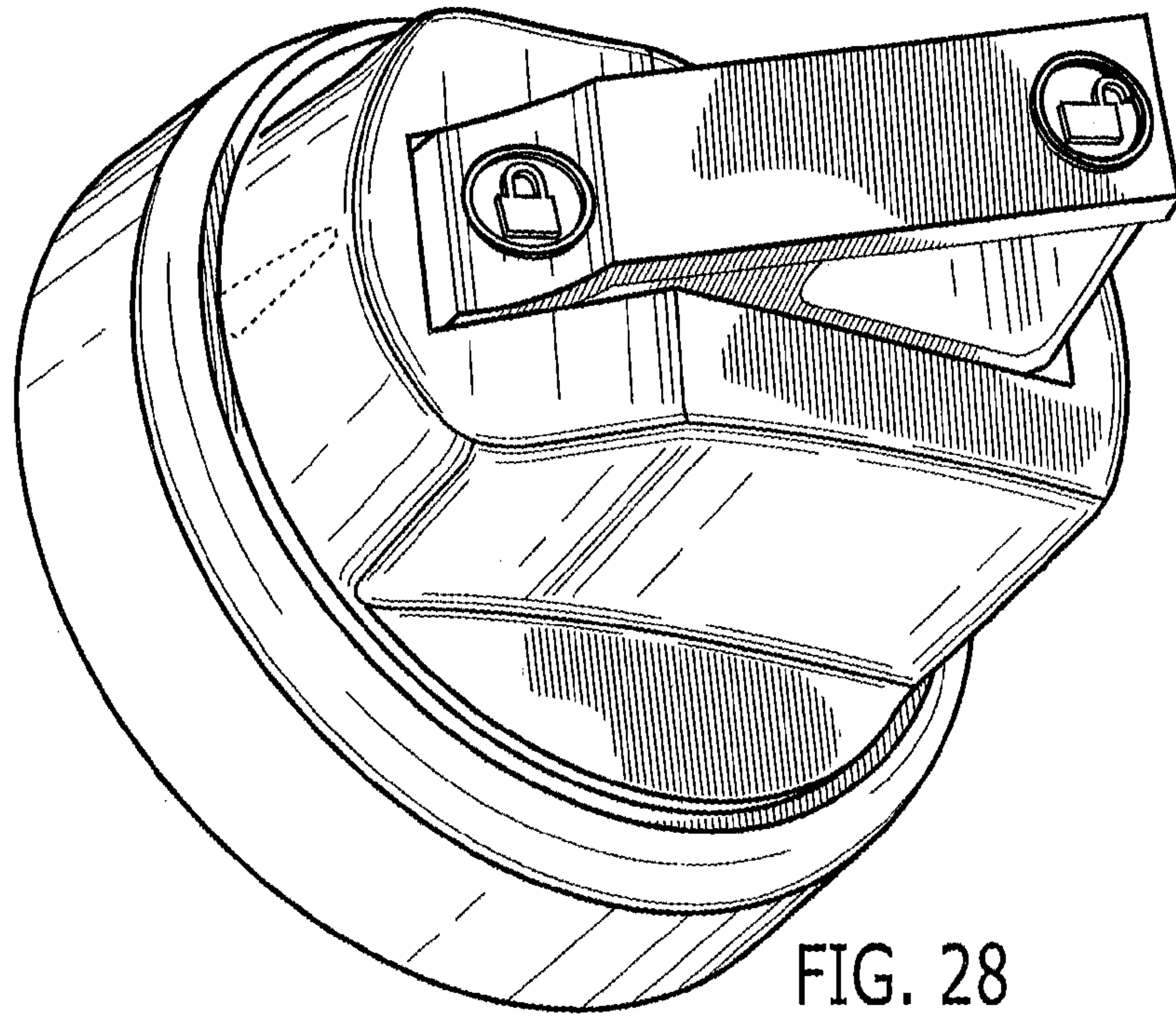


FIG. 27



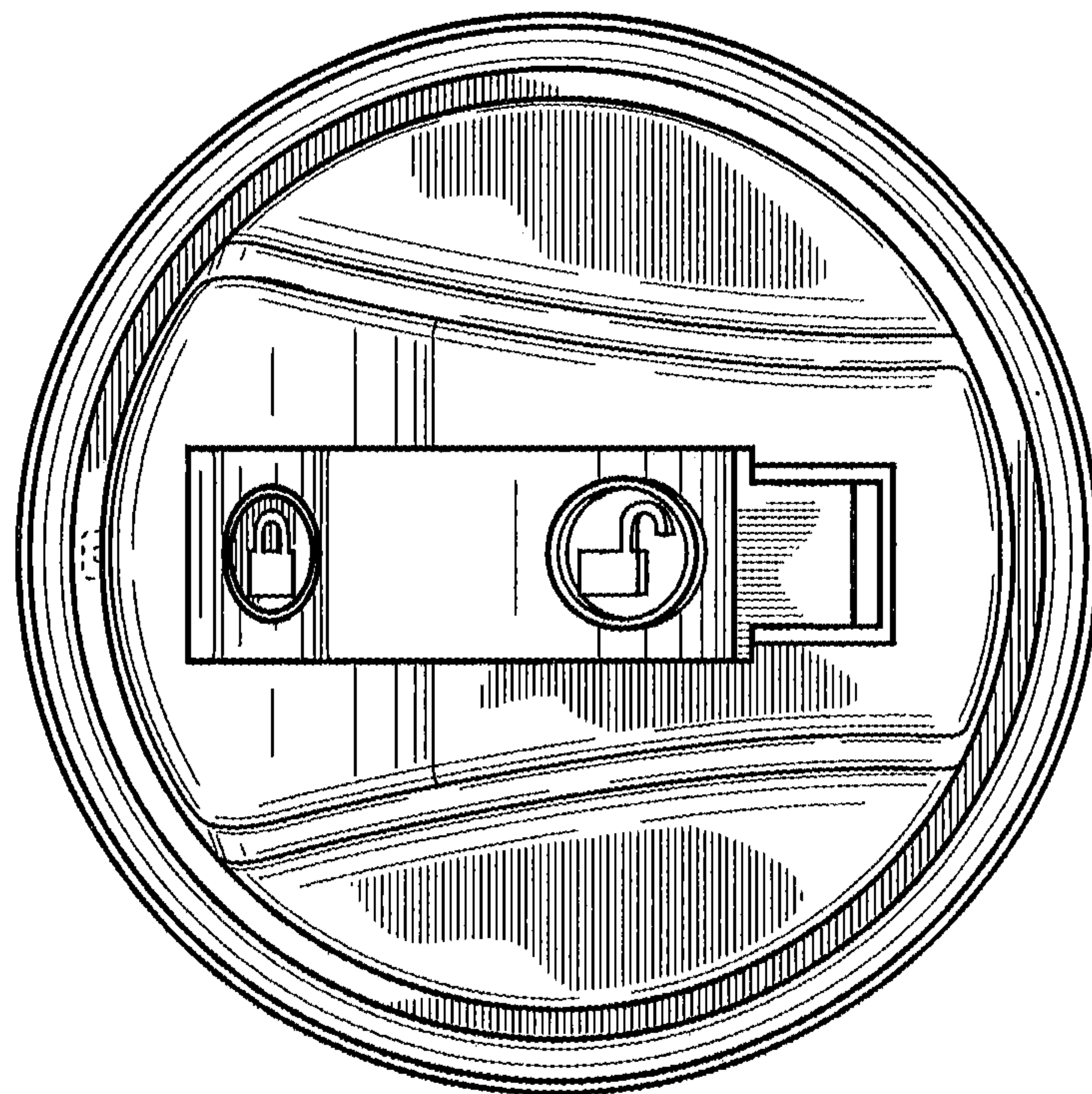


FIG. 30

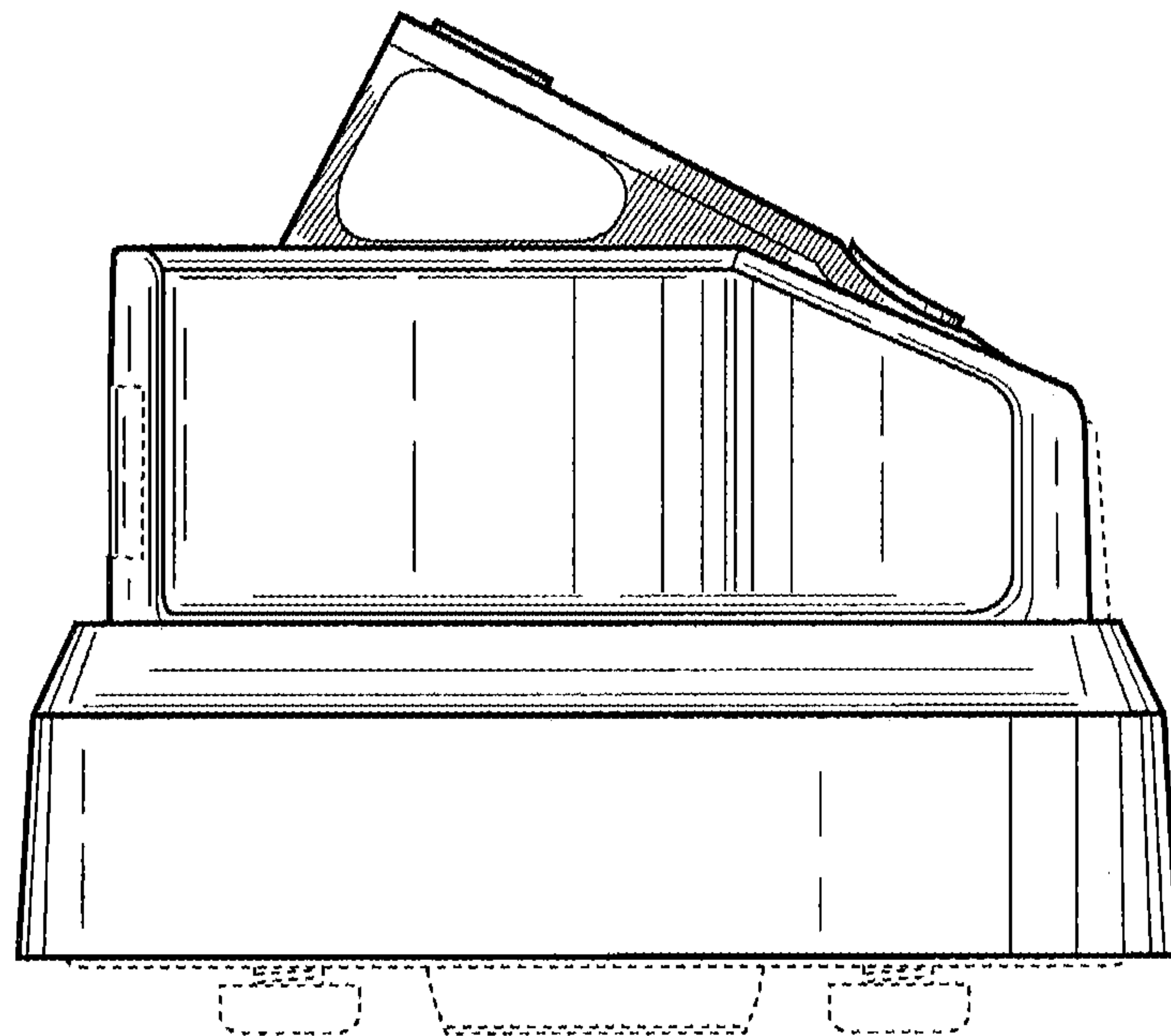


FIG. 31

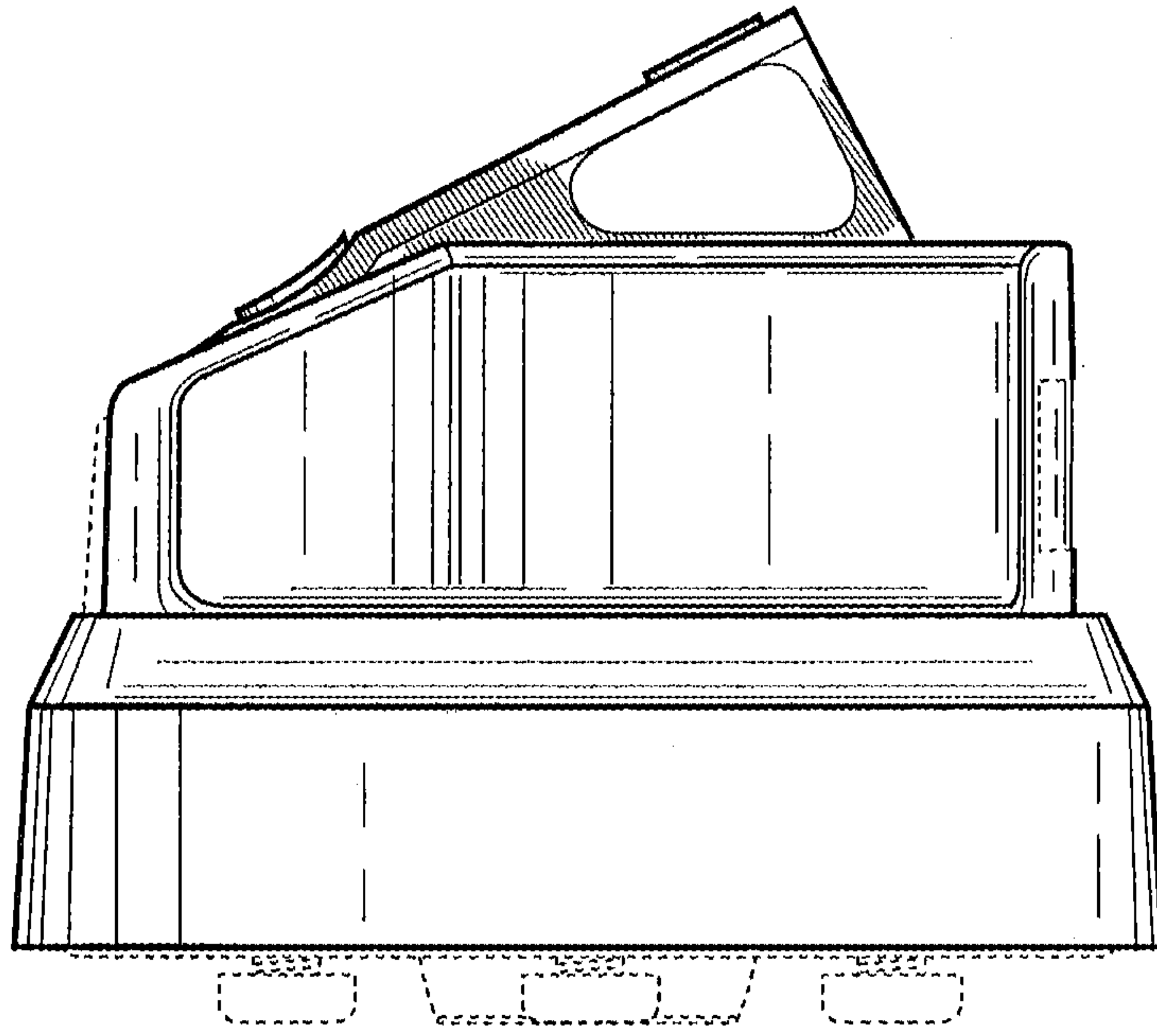


FIG. 32

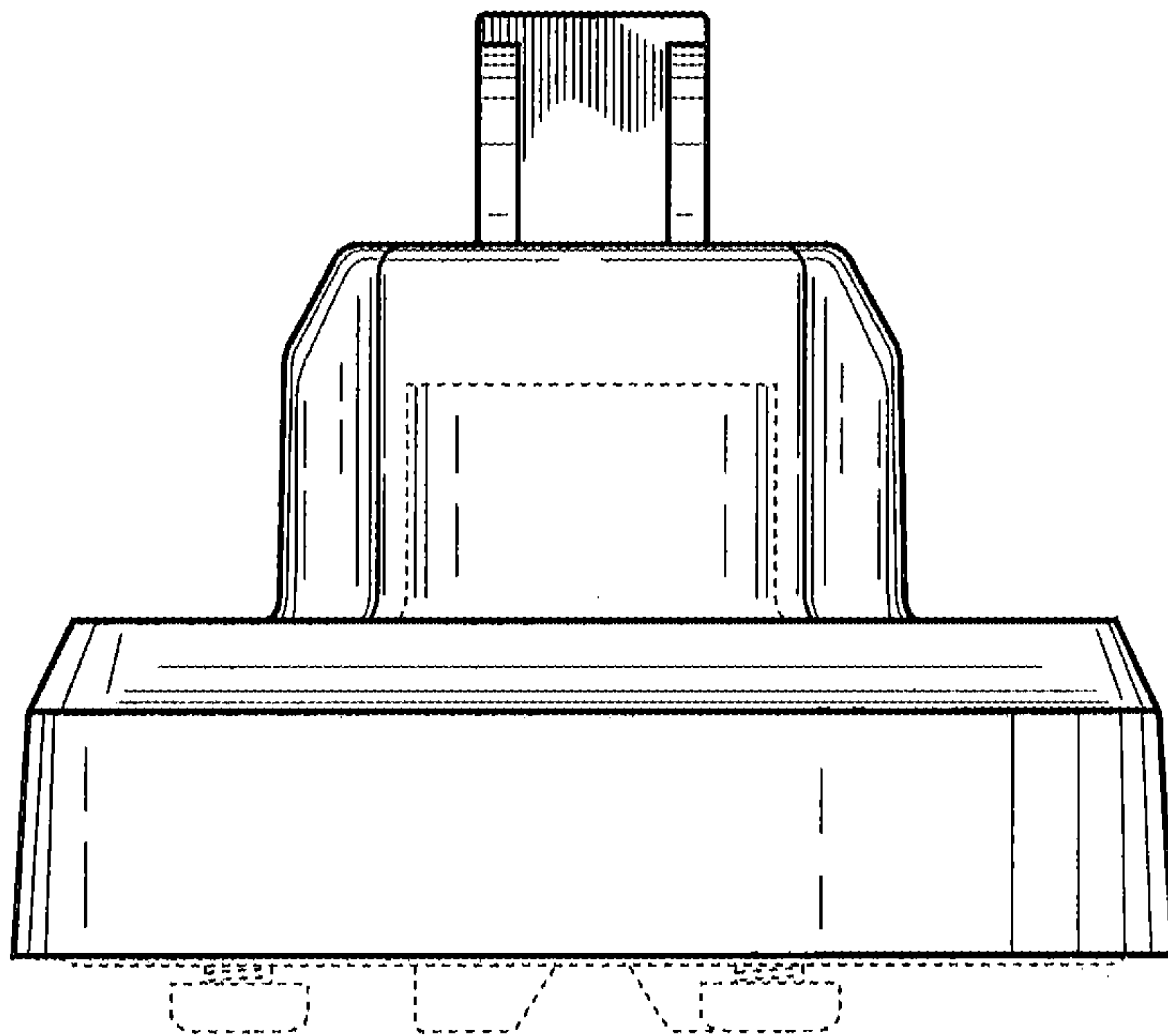


FIG. 33

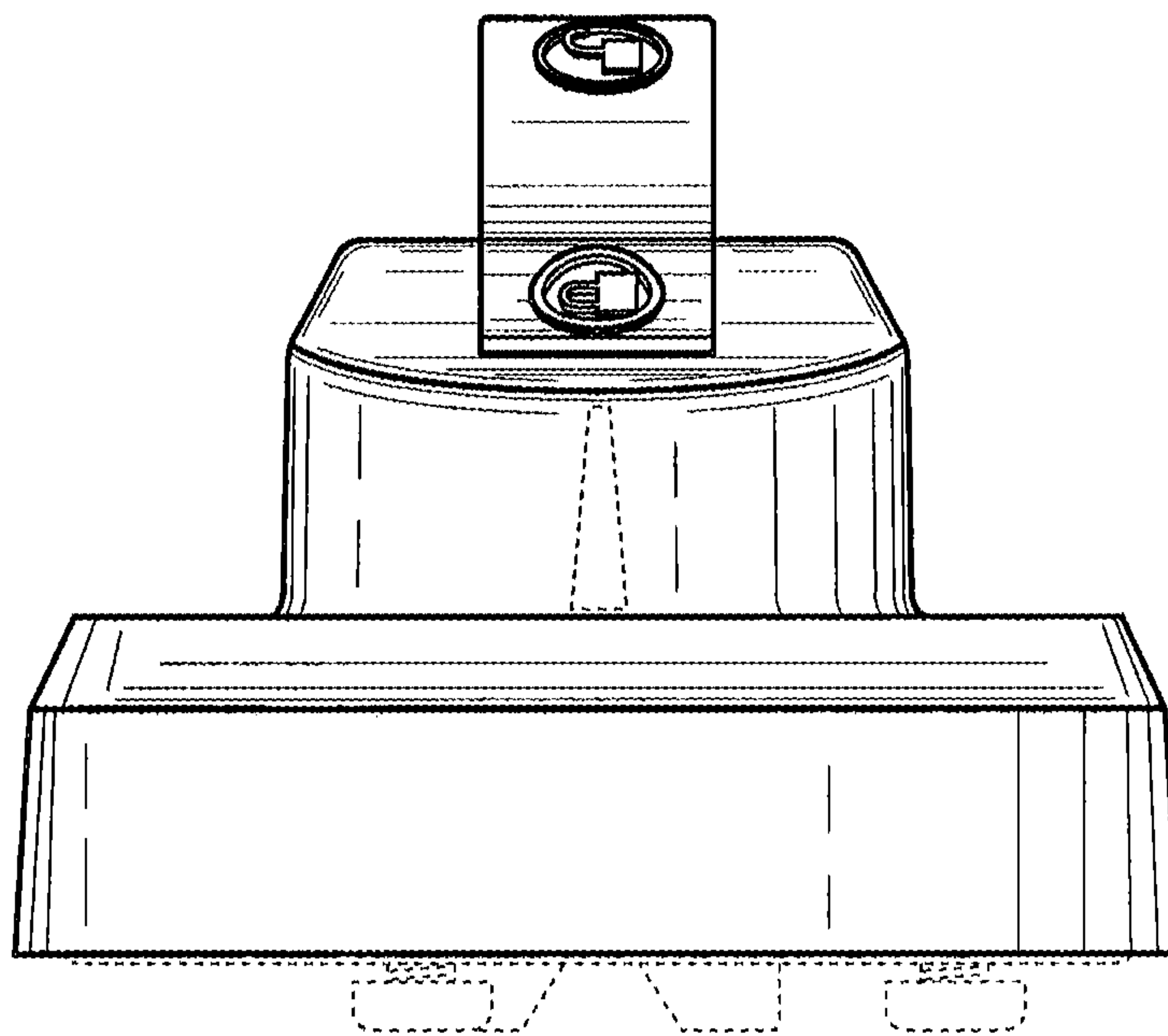


FIG. 34

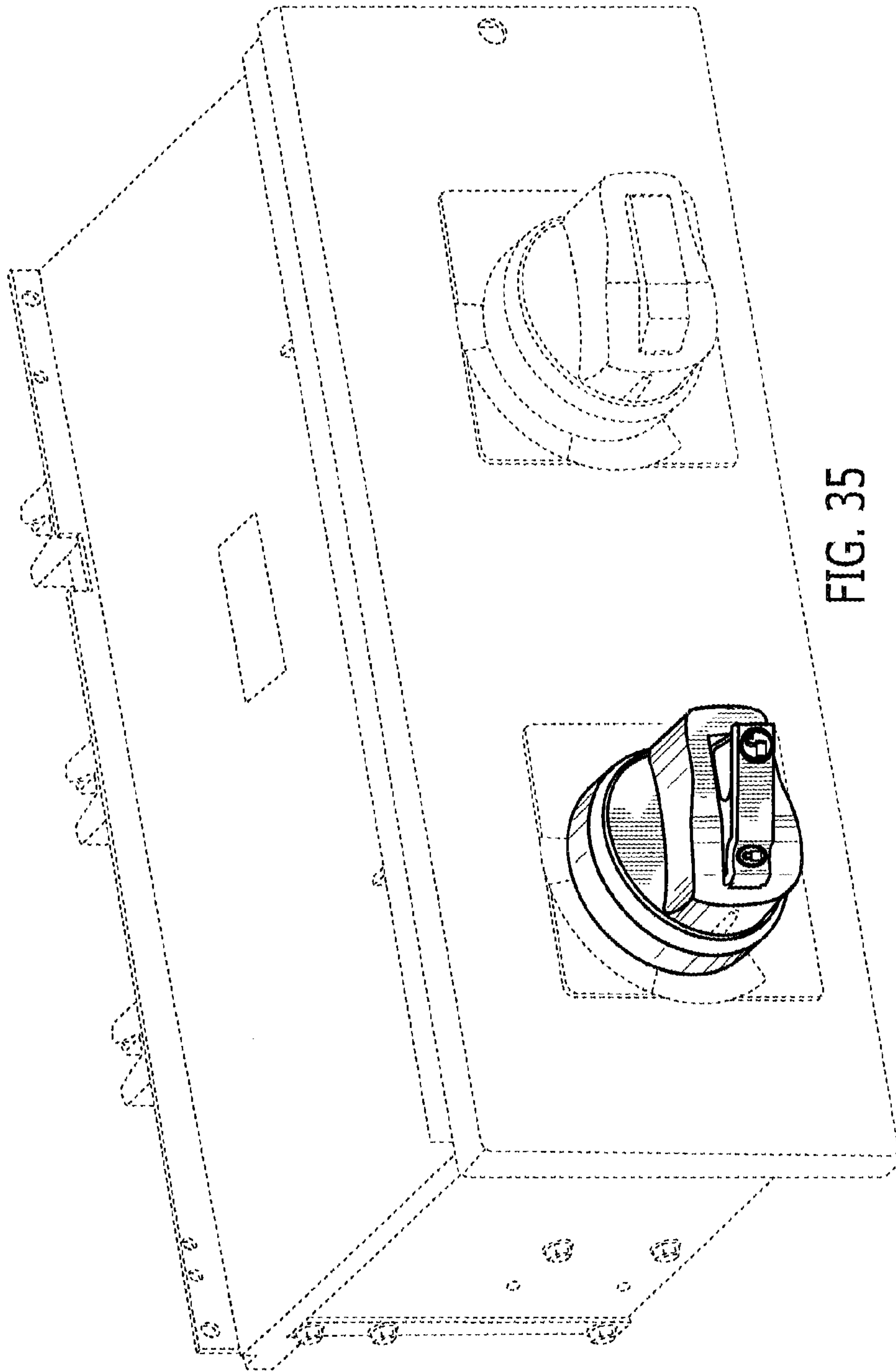


FIG. 35

