



US00D762589S

(12) **United States Design Patent**
Sanftleben et al.

(10) **Patent No.:** **US D762,589 S**
(45) **Date of Patent:** **** Aug. 2, 2016**

- (54) **CONNECTOR CAP**
- (71) Applicant: **Oregon Made Plastic Products Inc.,**
Woodburn, OR (US)
- (72) Inventors: **Jeffrey Allen Sanftleben,** Canby, OR
(US); **Kenneth Anthony Olcott,**
Woodburn, OR (US)
- (73) Assignee: **Oregon Made Plastic Products Inc.,**
Woodburn, OR (US)
- (**) Term: **15 Years**
- (21) Appl. No.: **29/531,472**
- (22) Filed: **Jun. 25, 2015**

Related U.S. Application Data

- (63) Continuation of application No. 13/841,429, filed on
Mar. 15, 2013, now Pat. No. 9,079,465.
- (60) Provisional application No. 61/641,879, filed on May
2, 2012.
- (51) **LOC (10) Cl.** **13-03**
- (52) **U.S. Cl.**
USPC **D13/156**
- (58) **Field of Classification Search**
USPC 24/298; D13/120, 133, 154, 156, 158,
D13/160, 173, 184; 174/50, 520, 67, 92, 93;
361/600; 439/723, 752, 135, 149, 367;
220/242, 3.8; D8/352; D12/162
CPC Y10T 24/31; F16L 55/1141; H01R 31/08;
H01R 4/2433; H01R 13/436; H01R 13/447;
H01R 13/4362; H01R 13/5213; H01R
13/6392; H01R 2201/26
See application file for complete search history.

(56) **References Cited**

U.S. PATENT DOCUMENTS

- D27,694 S * 9/1897 Robbins D13/120
- D56,738 S * 12/1920 Cook D13/120

- 3,672,003 A * 6/1972 Morgan B65D 63/1072
24/16 PB
- D239,944 S * 5/1976 Jensen D13/120
- D244,612 S * 6/1977 Burns D13/156
- 4,558,495 A 12/1985 Olsen
- D296,548 S * 7/1988 Laurie D13/156
- D316,399 S * 4/1991 Wharton D13/133
- 5,722,854 A * 3/1998 Geisler B60D 1/62
439/148
- 6,083,016 A 7/2000 Waynick, Sr.
- D448,351 S * 9/2001 Dubosc D13/156
- 6,539,589 B2 4/2003 Thompson
- 6,638,083 B2 * 10/2003 Rhude H01R 13/60
439/142
- D501,825 S * 2/2005 Moyer D13/119
- 7,771,221 B1 * 8/2010 Blackwell H01R 13/52
439/282
- D629,366 S 12/2010 Ericson et al.
- 7,954,515 B2 6/2011 Gerst
- D664,099 S * 7/2012 Fukushima D13/156
- D689,027 S * 9/2013 Waggoner D13/151
- D743,892 S * 11/2015 Hill D13/133

* cited by examiner

Primary Examiner — Derrick Holland

Assistant Examiner — Jennifer O King

(74) *Attorney, Agent, or Firm* — Law Office of Karen Dana
Oster, LLC

(57) **CLAIM**

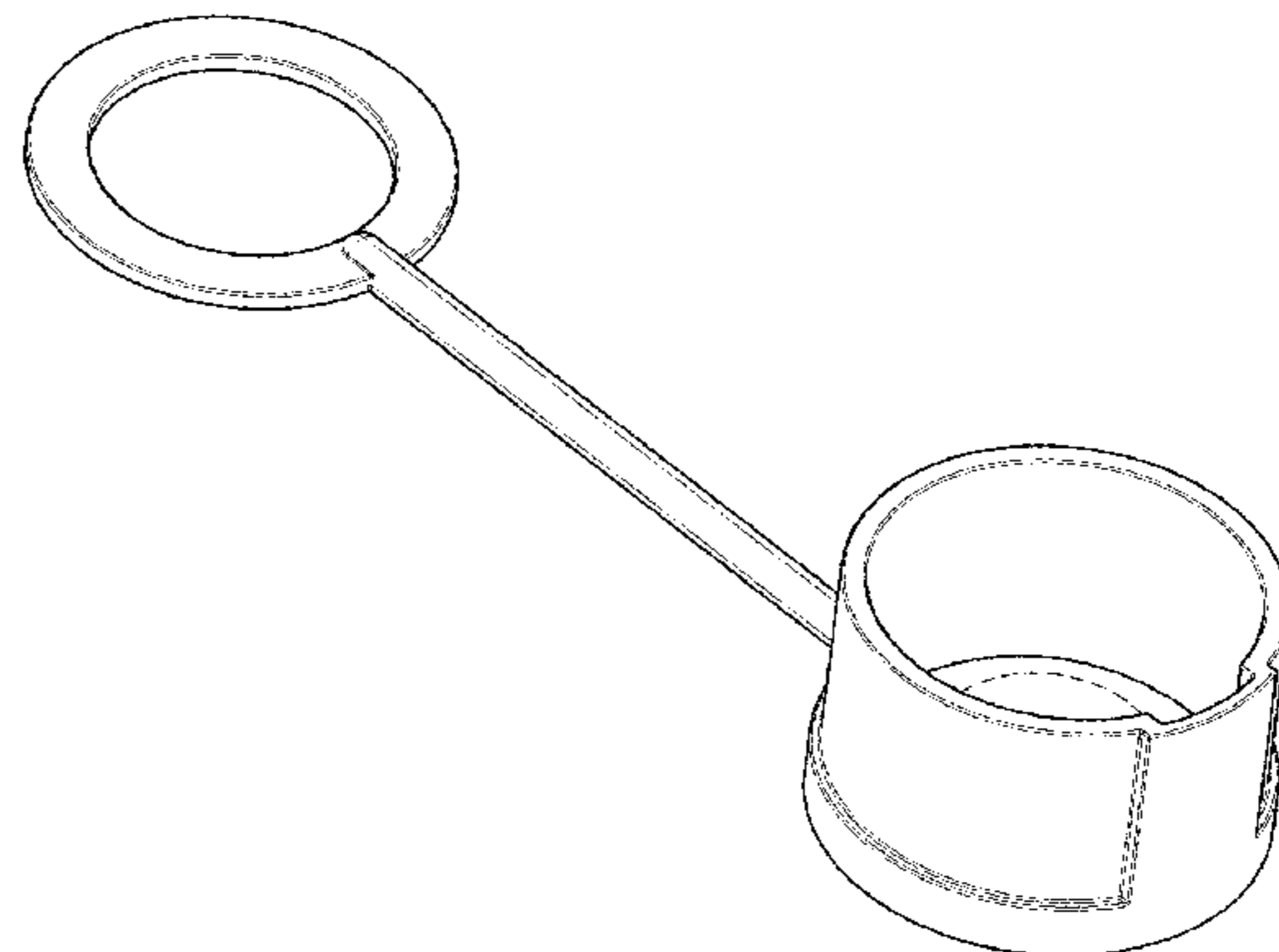
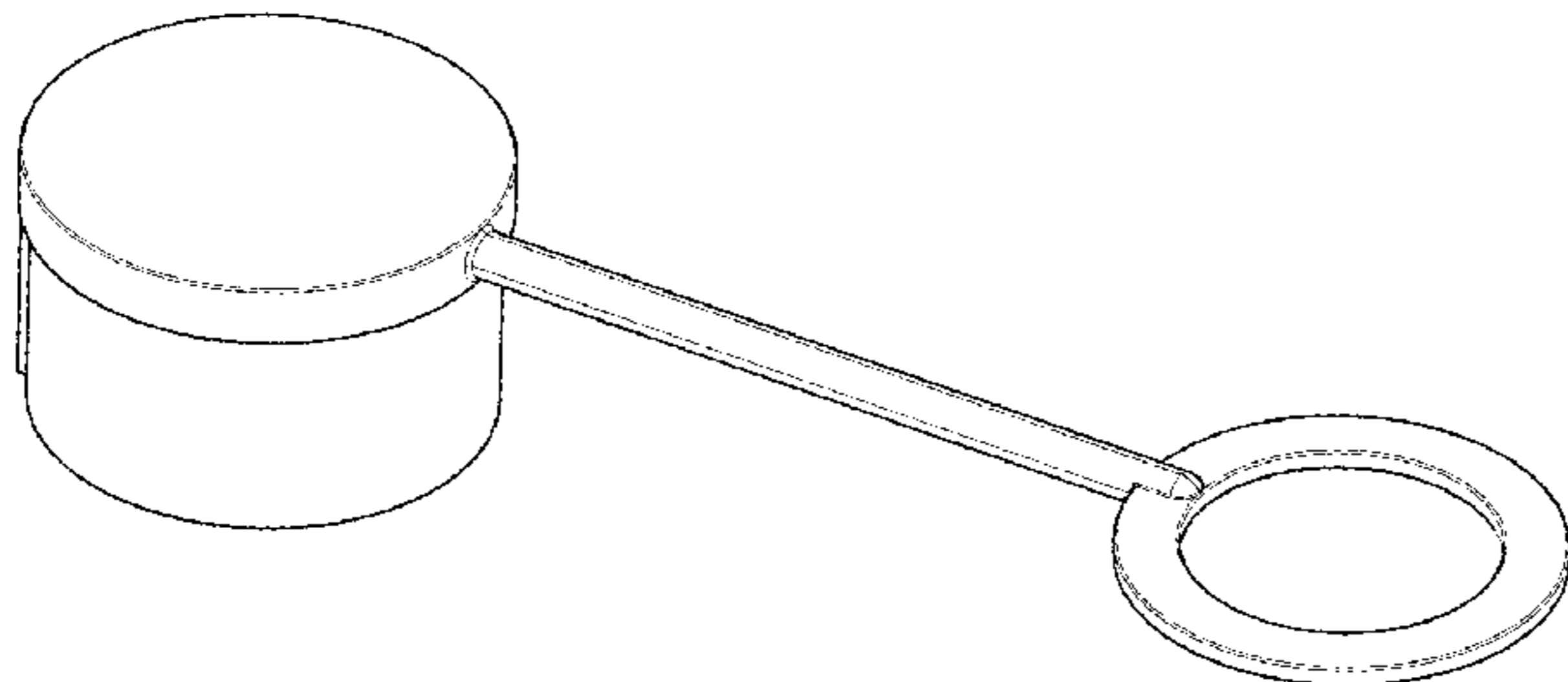
We claim the ornamental design for a connector cap, as shown
and described.

DESCRIPTION

FIG. 1 is a top perspective view of a connector cap;
 FIG. 2 is a bottom perspective view thereof;
 FIG. 3 is a top plan view thereof;
 FIG. 4 is a bottom plan view thereof;
 FIG. 5 is a first side view thereof; the second side view being
 a mirror image thereof;
 FIG. 6 is a front view thereof; and,
 FIG. 7 is a back view thereof.

The broken lines shown represent unclaimed subject matter
and form no part of the claimed design.

1 Claim, 2 Drawing Sheets



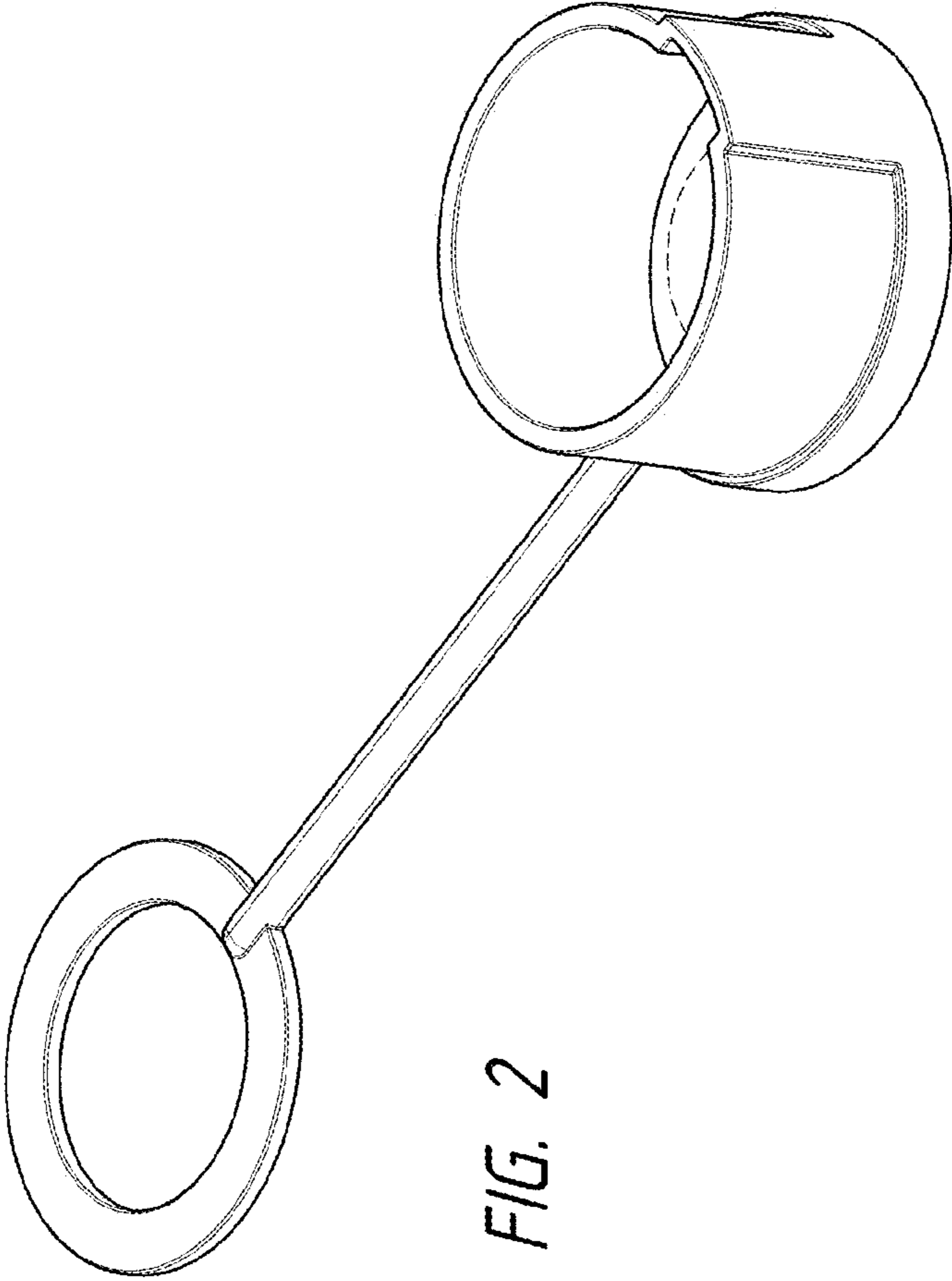


FIG. 2

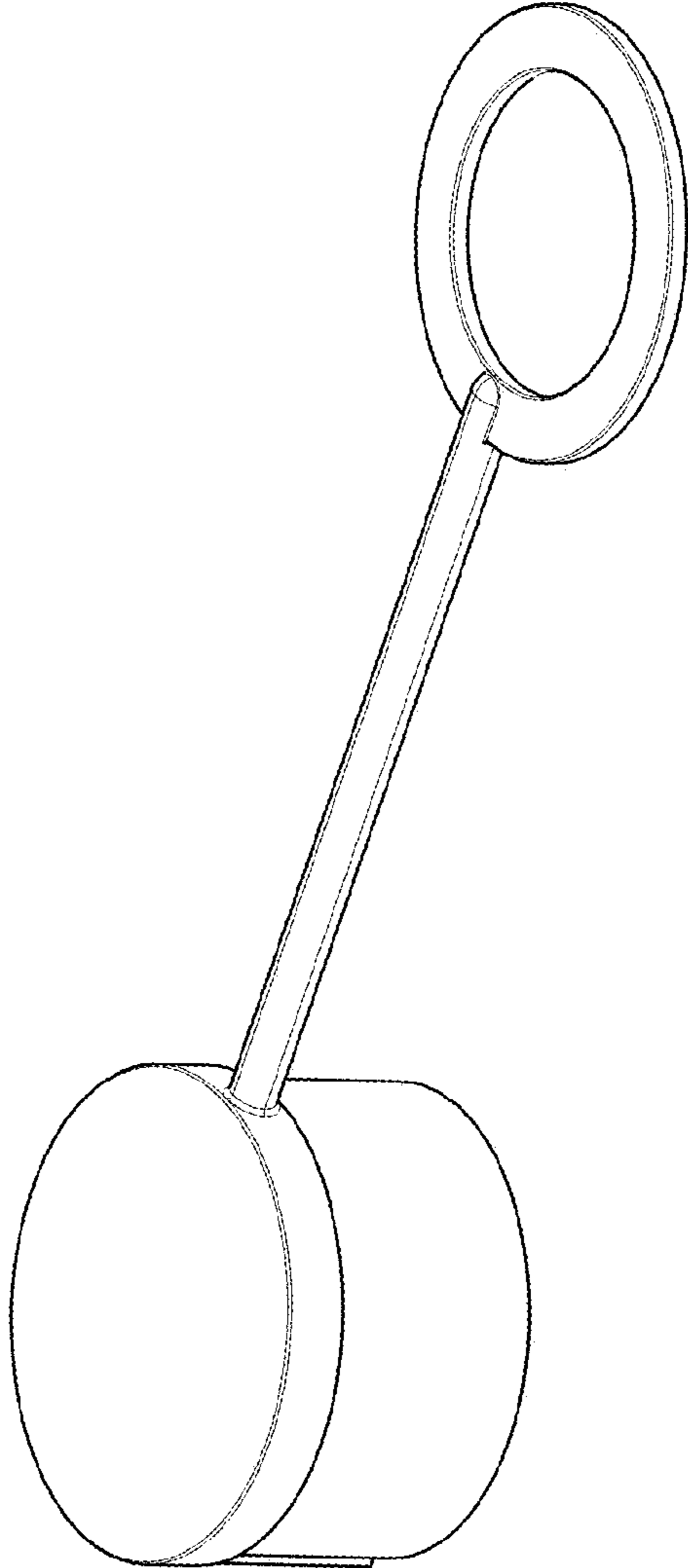


FIG. 1

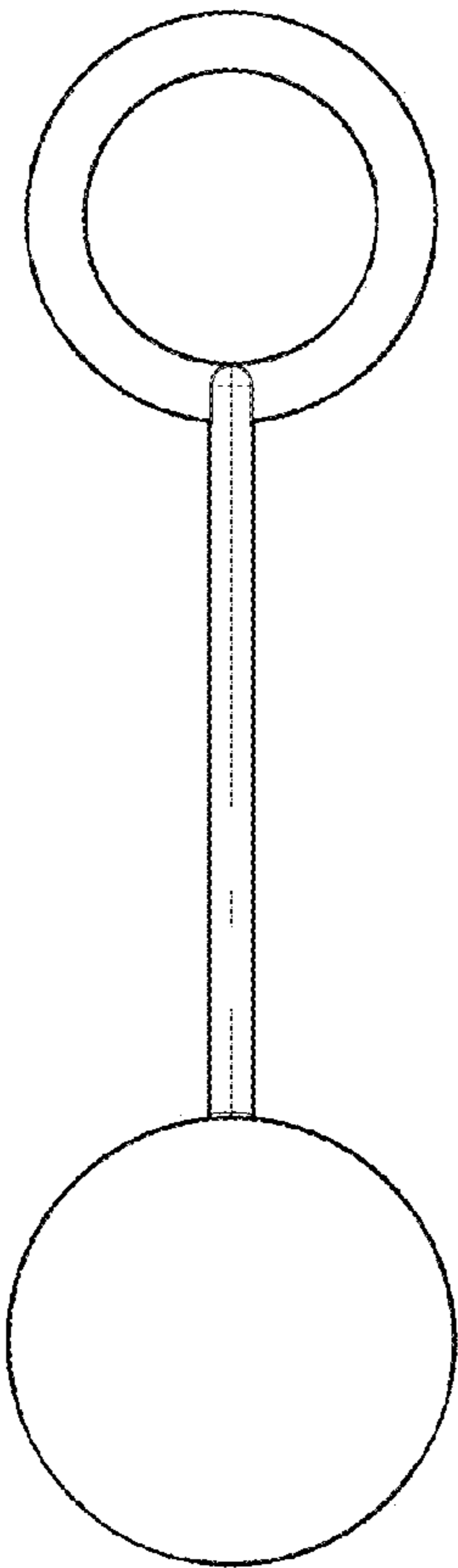


FIG. 3

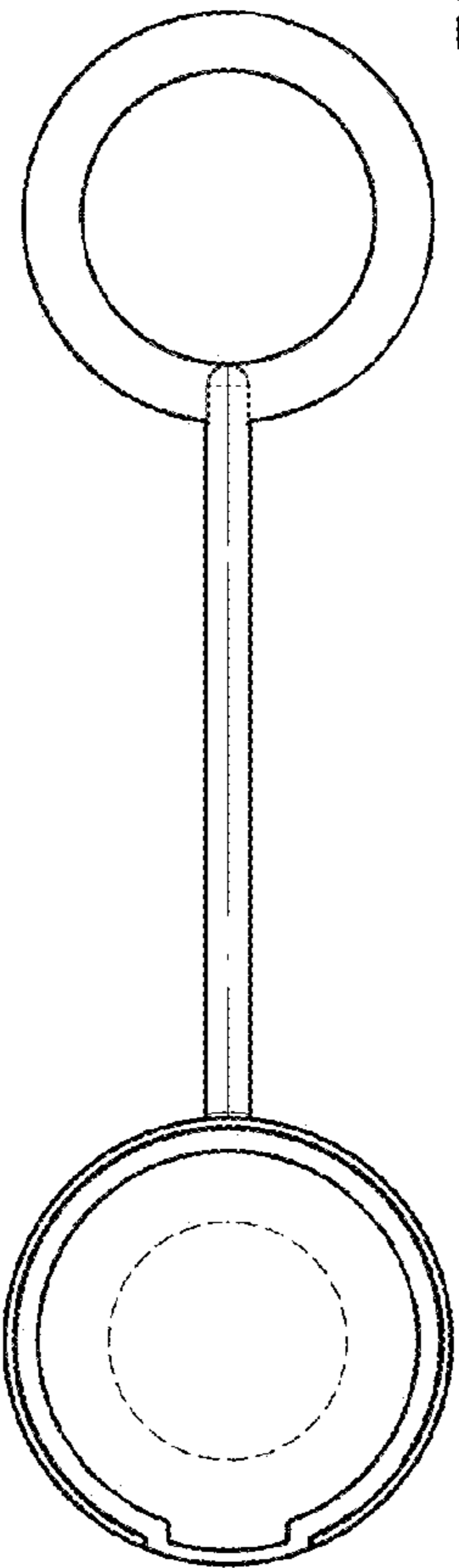


FIG. 4



FIG. 5

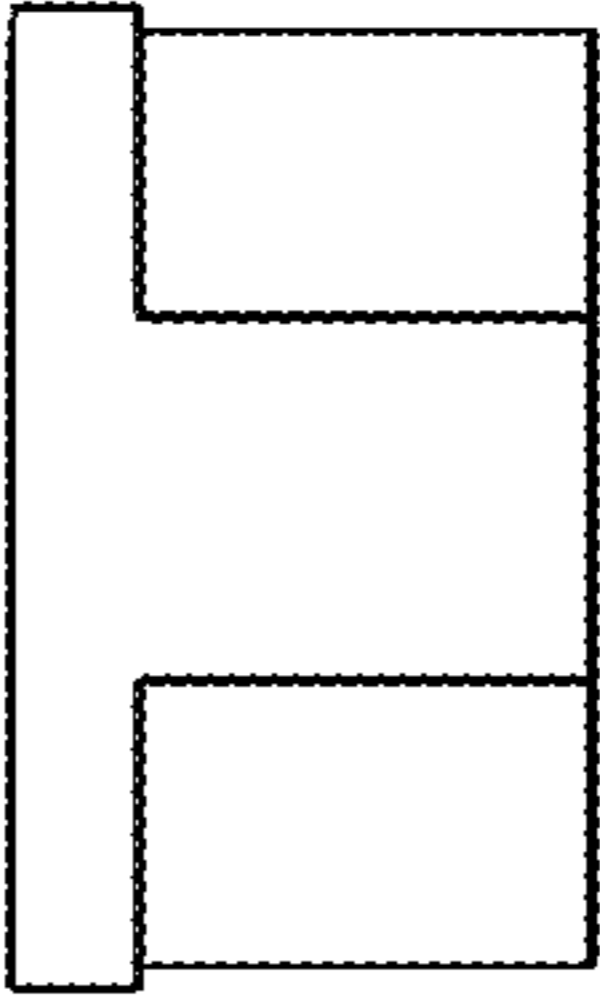


FIG. 6

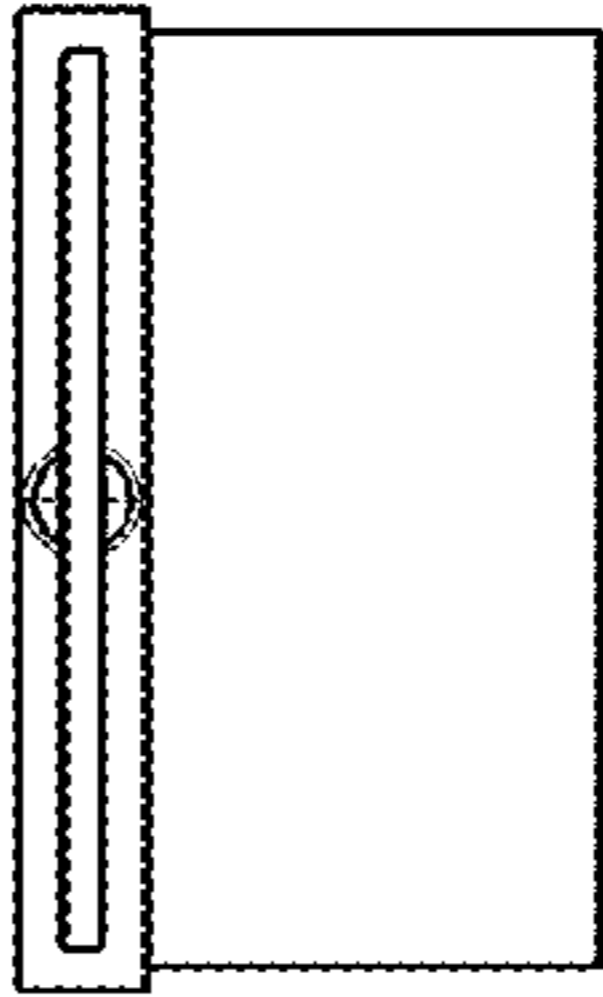


FIG. 7