



US00D762588S

(12) **United States Design Patent**
Chin

(10) **Patent No.:** **US D762,588 S**

(45) **Date of Patent:** **** Aug. 2, 2016**

(54) **CABLE MANAGEMENT DEVICE**

(71) Applicant: **Peter Chin**, Fontana, CA (US)

(72) Inventor: **Peter Chin**, Fontana, CA (US)

(**) Term: **14 Years**

(21) Appl. No.: **29/487,685**

(22) Filed: **Apr. 10, 2014**

(51) **LOC (10) Cl.** **13-03**

(52) **U.S. Cl.**
USPC **D13/155**

(58) **Field of Classification Search**

USPC D13/155, 153, 154, 156, 157, 184, 199;
D8/349, 354, 356, 394; 174/68.1, 68.2,
174/68.3; 248/49, 53, 60; 361/827;
385/134, 135; 439/207, 210, 446, 445,
439/447

CPC H02G 3/045; H02G 3/0487; H02G 3/26;
H02G 5/06

See application file for complete search history.

(56) **References Cited**

U.S. PATENT DOCUMENTS

2,585,054 A	2/1952	Stachura	
2,742,388 A	4/1956	Russell	
2,960,561 A *	11/1960	Plummer	174/36
3,089,915 A	5/1963	Plummer	
3,624,800 A	11/1971	Swick	
3,796,304 A	3/1974	Blais	
4,422,478 A	12/1983	Pentney et al.	

(Continued)

OTHER PUBLICATIONS

Non-Final Office Action received in U.S. Appl. No. 29/476,968, dated Nov. 21, 2014, in 8 pages.

(Continued)

Primary Examiner — Derrick Holland

Assistant Examiner — Jennifer O King

(74) *Attorney, Agent, or Firm* — Knobbe, Martens, Olson & Bear, LLP

(57) **CLAIM**

The ornamental design for a cable management device, as shown and described.

DESCRIPTION

FIG. 1 is a top perspective view of a first embodiment of a cable management device embodying the new design;

FIG. 2 is a top view of the cable management device of FIG. 1;

FIG. 3 is a bottom view of the cable management device of FIG. 1;

FIG. 4 is a back view of the cable management device of FIG. 1;

FIG. 5 is a front view of the cable management device of FIG. 1;

FIG. 6 is a right end view of the cable management device of FIG. 1;

FIG. 7 is a left end view of the cable management device of FIG. 1;

FIG. 8 is a top perspective view of a second embodiment of a cable management device embodying the new design;

FIG. 9 is a top view of the cable management device of FIG. 8;

FIG. 10 is a bottom view of the cable management device of FIG. 8;

FIG. 11 is a back view of the cable management device of FIG. 8;

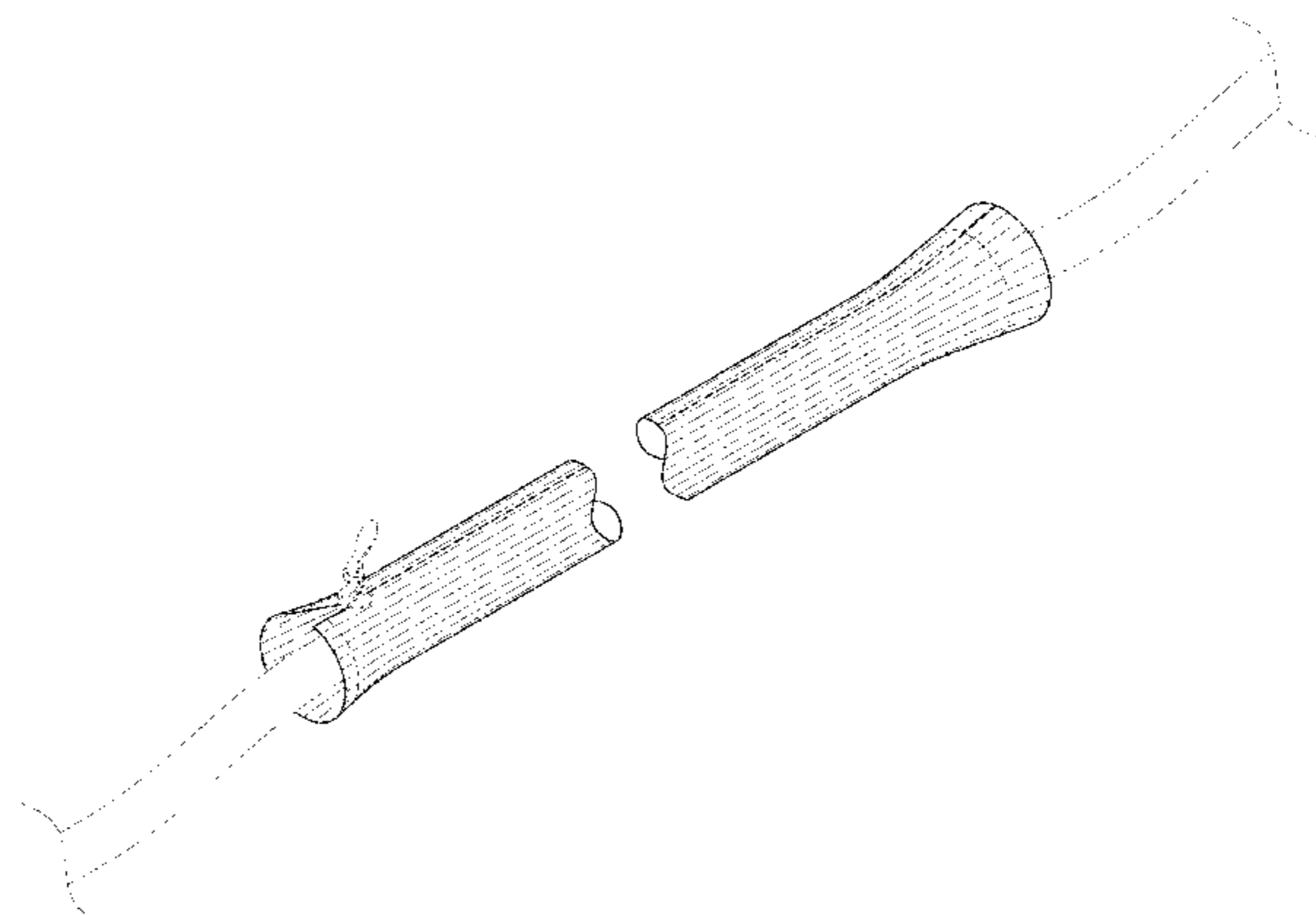
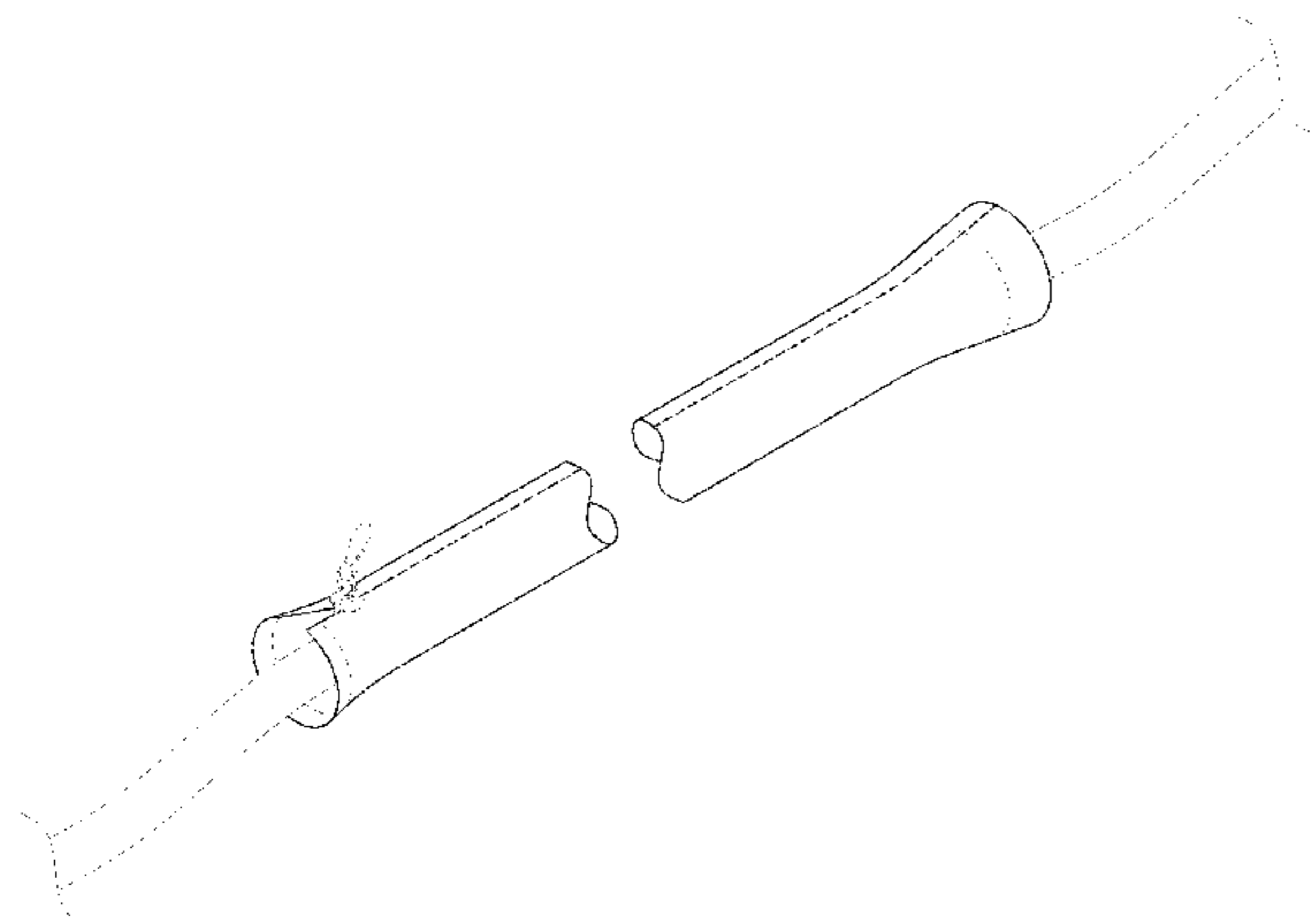
FIG. 12 is a front view of the cable management device of FIG. 8;

FIG. 13 is a right end view of the cable management device of FIG. 8; and,

FIG. 14 is a left end view of the cable management device of FIG. 8.

The broken lines showing a zipper pull, zipper seam, and cables represent unclaimed subject matter and form no part of the claimed design. The remaining broken lines shown on the surface of the cable management device represent stitching which forms part of the claimed design.

1 Claim, 8 Drawing Sheets



(56)

References Cited

U.S. PATENT DOCUMENTS

4,478,661 A 10/1984 Lewis
 4,580,767 A * 4/1986 Zimmerman 256/10
 D296,322 S * 6/1988 Collins D13/155
 4,939,778 A * 7/1990 Tomberlin 379/438
 4,987,724 A 1/1991 Rutherford
 5,391,838 A * 2/1995 Plummer, III 174/36
 5,397,243 A * 3/1995 MacMurdo, Sr. 439/136
 5,535,787 A 7/1996 Howell
 D376,786 S * 12/1996 Binzel, Jr. D13/153
 5,600,098 A 2/1997 Kazaks
 5,651,161 A * 7/1997 Asta 15/325
 5,861,579 A * 1/1999 Bickersteth et al. 174/136
 D406,428 S * 3/1999 Pyle D32/71
 D408,365 S * 4/1999 Sanders D13/153
 5,901,756 A 5/1999 Goodrich
 5,905,231 A * 5/1999 Houte et al. 174/68.3
 5,910,643 A * 6/1999 Laine et al. 174/87
 5,949,026 A 9/1999 DeFlorio
 6,233,345 B1 * 5/2001 Urwyler 381/381
 D445,093 S * 7/2001 Staskey D13/156
 6,301,752 B1 * 10/2001 Koppang 24/129 R
 D460,741 S 7/2002 Nakamura
 6,453,950 B1 9/2002 Smith
 6,523,584 B1 * 2/2003 Rehrig 150/154
 6,571,833 B1 6/2003 McLarty et al.
 6,878,882 B2 4/2005 Larkin
 6,886,601 B2 5/2005 Allen
 6,993,237 B2 * 1/2006 Cooke et al. 385/135

7,433,571 B2 * 10/2008 Kendricks 385/136
 7,438,964 B2 * 10/2008 Clark 428/40.1
 7,447,414 B1 * 11/2008 Camick 385/136
 7,484,539 B1 2/2009 Huang
 7,550,669 B2 * 6/2009 Rizzuto, Jr. 174/68.1
 7,622,670 B1 * 11/2009 Sanderson et al. 174/36
 7,807,928 B1 10/2010 Tate
 8,383,941 B2 2/2013 Goodman
 8,420,942 B2 4/2013 Short
 8,455,758 B2 * 6/2013 Groset et al. 174/36
 D693,773 S 11/2013 Chen
 2003/0024850 A1 2/2003 Synder
 2003/0142933 A1 7/2003 Morris
 2005/0230143 A1 10/2005 Simmons et al.
 2006/0185873 A1 * 8/2006 Johnson 174/36
 2009/0314515 A1 12/2009 Bevirt et al.
 2010/0096184 A1 * 4/2010 Ambo et al. 174/72 A
 2011/0056721 A1 * 3/2011 Goodman 174/68.3
 2011/0290532 A1 * 12/2011 Cano, Jr. 174/135
 2012/0308184 A1 * 12/2012 Pina et al. 385/102
 2014/0116747 A1 * 5/2014 Chamberlain et al. 174/95
 2014/0220846 A1 * 8/2014 Woodruff et al. 442/208
 2014/0360771 A1 * 12/2014 Itani et al. 174/354
 2015/0027778 A1 * 1/2015 Murao et al. 174/72 A
 2015/0041173 A1 * 2/2015 Chin 174/69

OTHER PUBLICATIONS

Non-Final Office Action received in U.S. Appl. No. 29/476,968, dated May 21, 2015, in 14 pages.

* cited by examiner

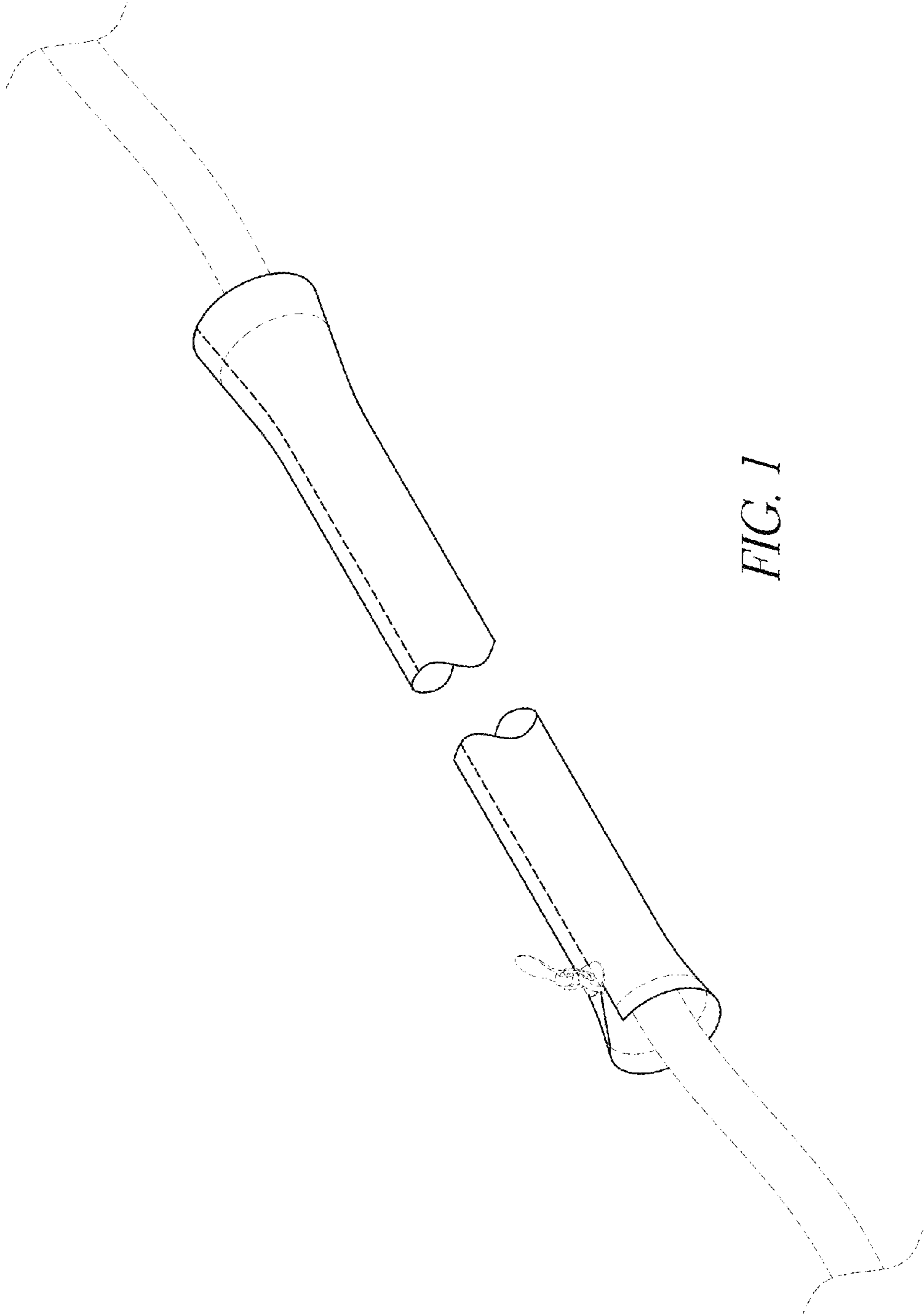


FIG. 1

FIG. 2

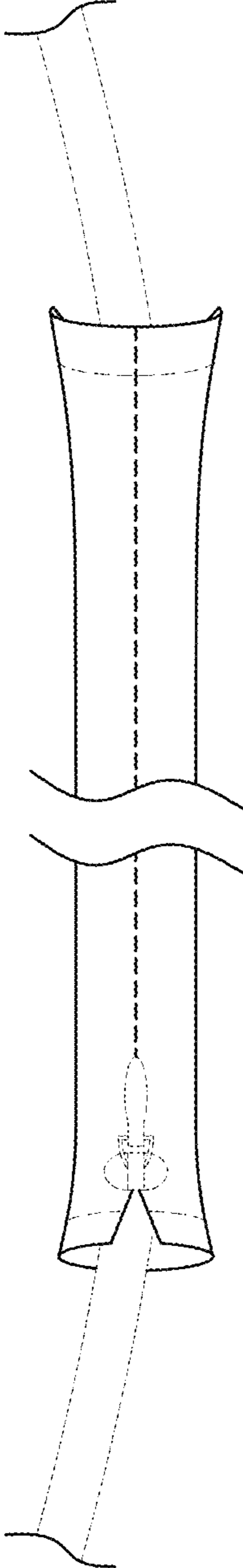


FIG. 3

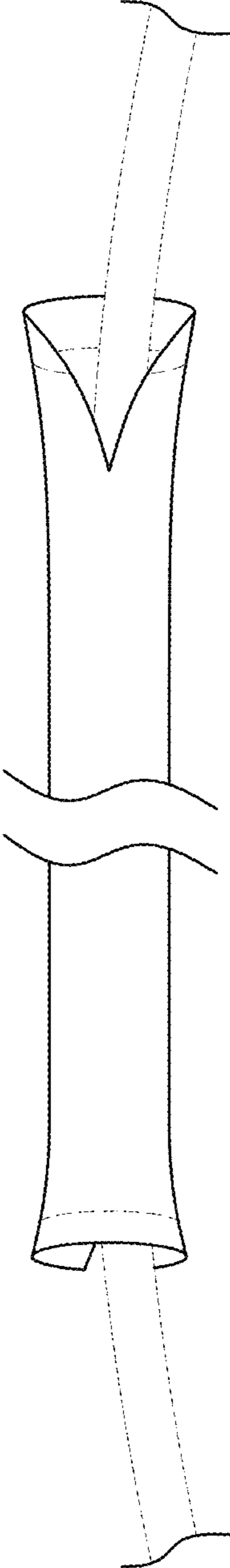


FIG. 4

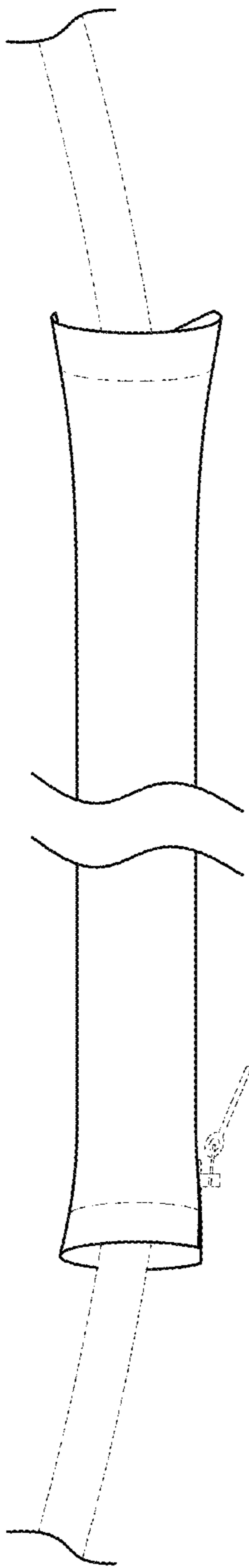


FIG. 5

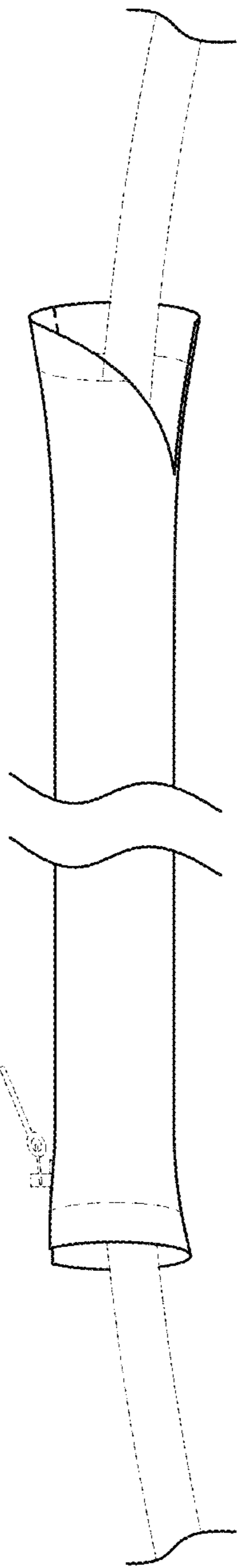


FIG. 6

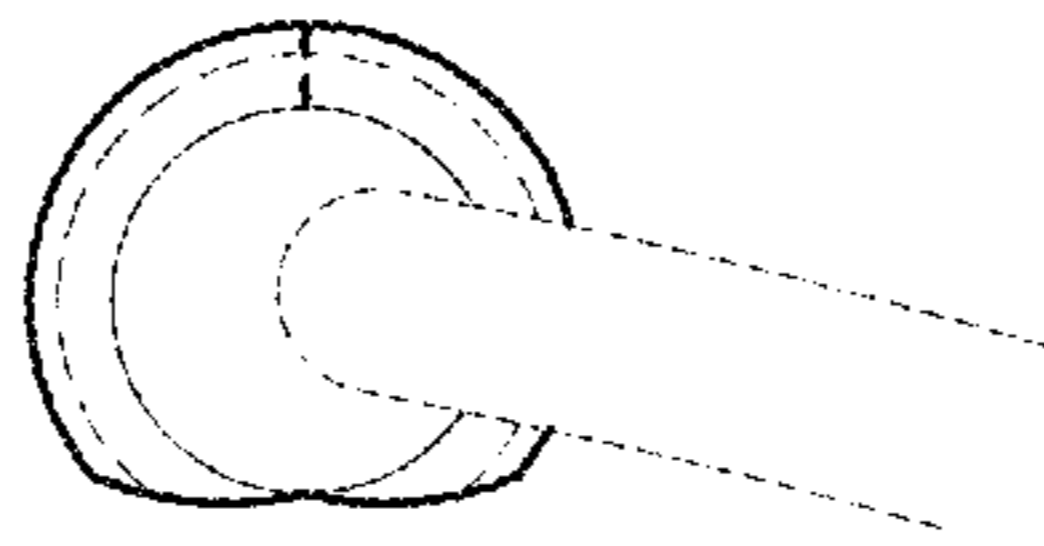
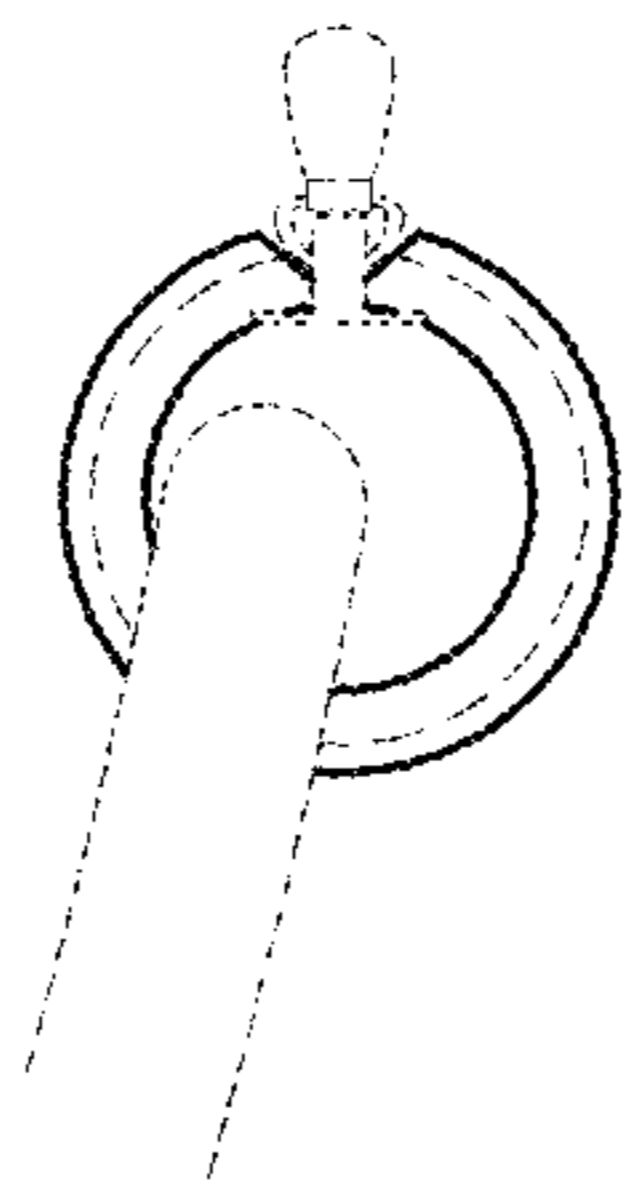


FIG. 7



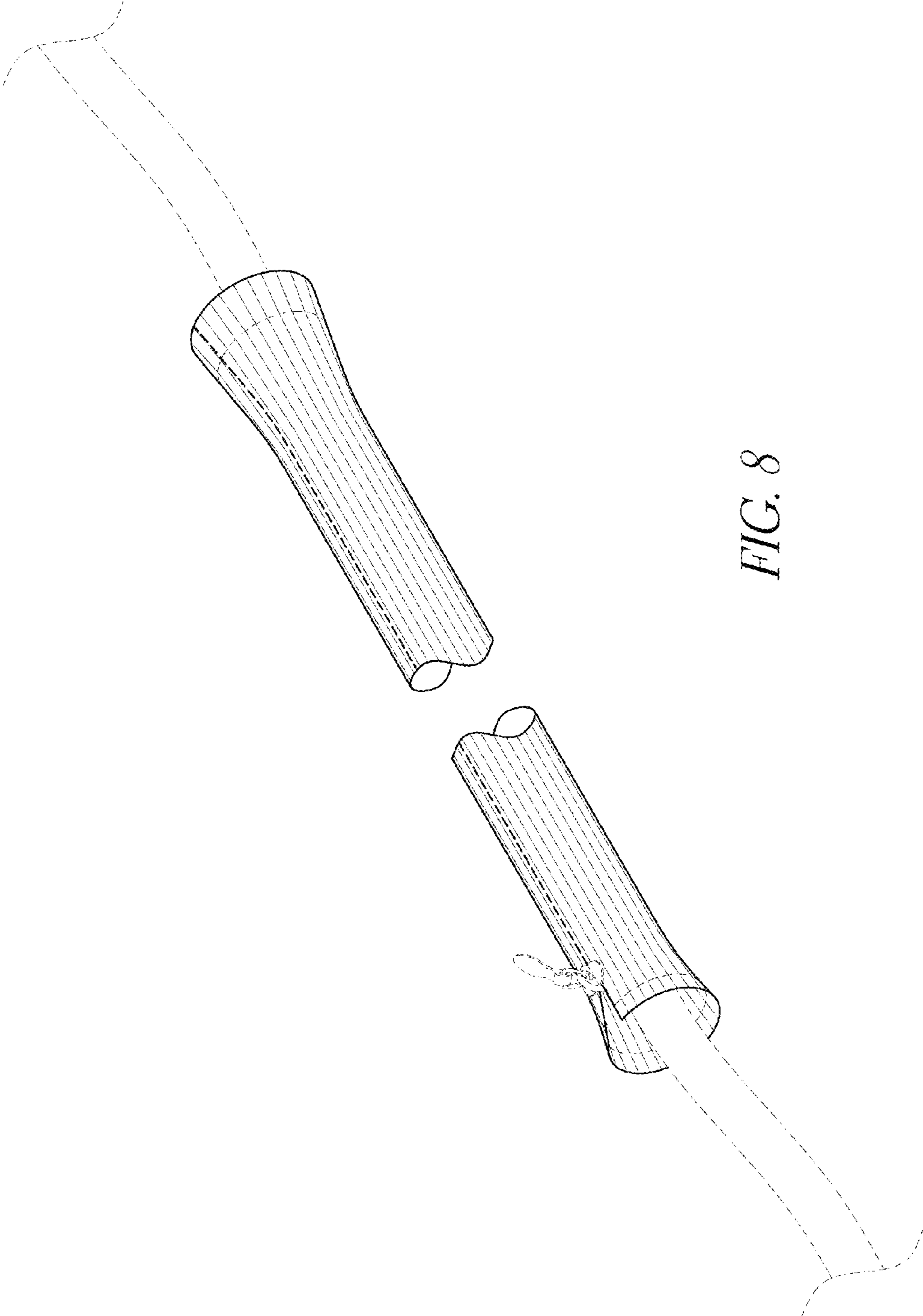


FIG. 8

FIG. 9

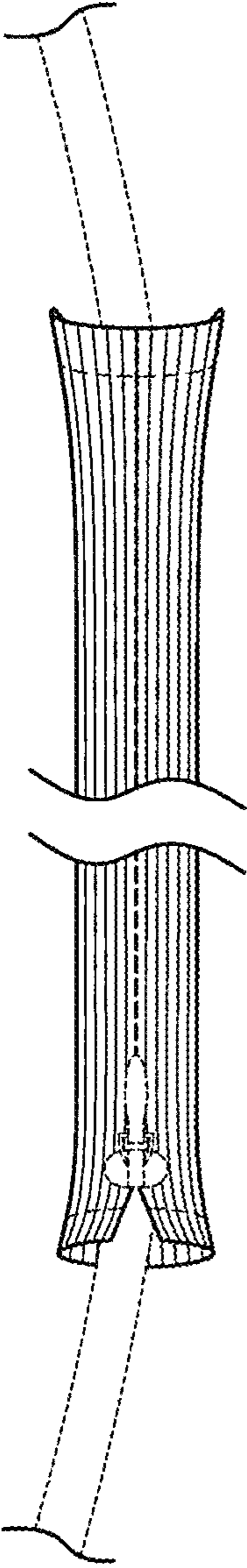


FIG. 10

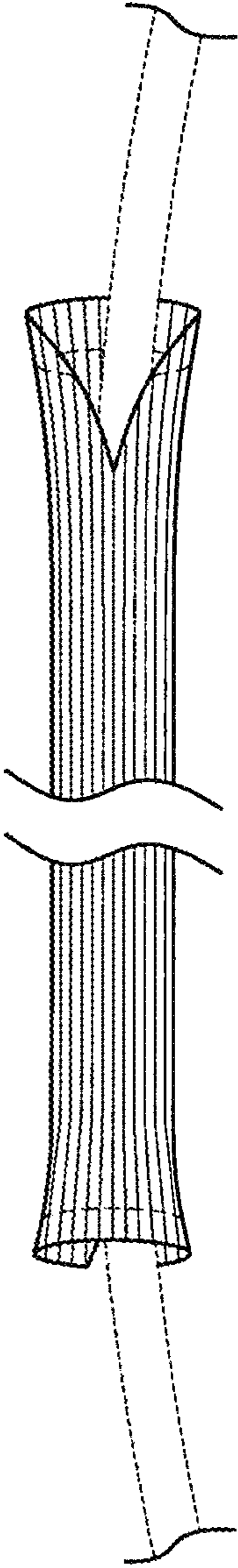


FIG. 11

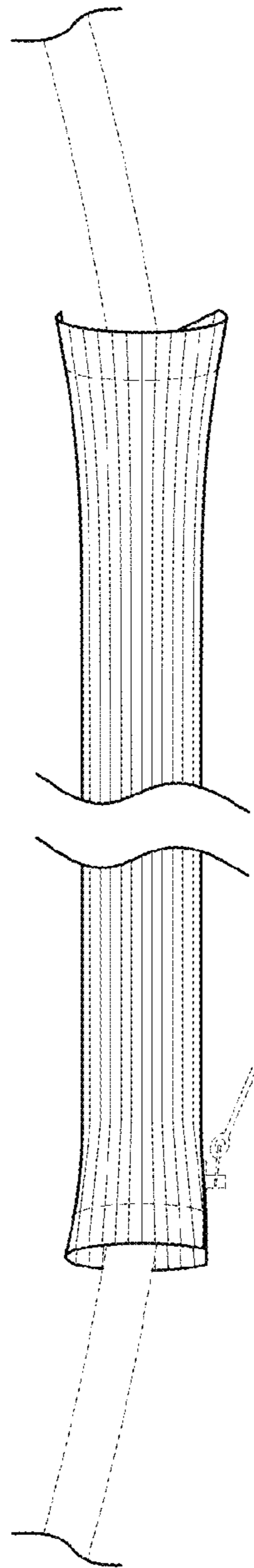


FIG. 12

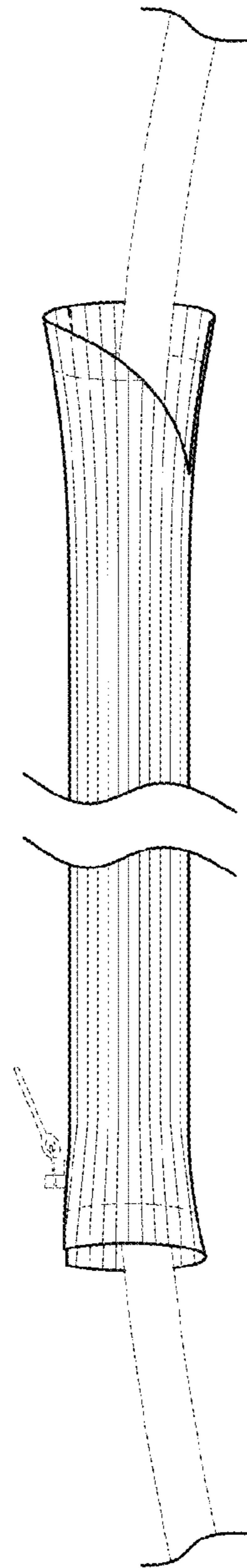


FIG. 13

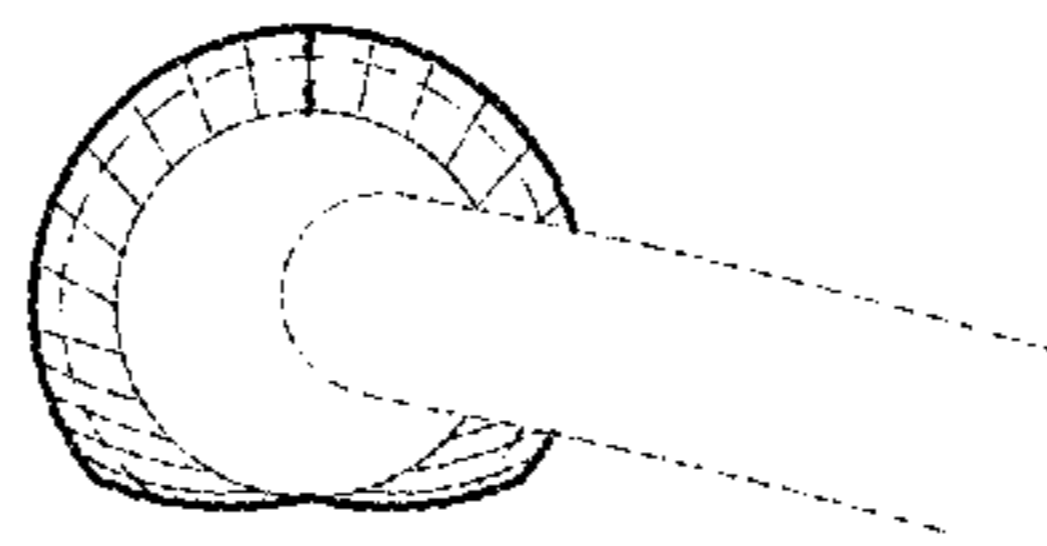


FIG. 14

