

US00D762586S

(12) **United States Design Patent**
Crockett et al.

(10) **Patent No.:** **US D762,586 S**

(45) **Date of Patent:** **** Aug. 2, 2016**

(54) **UNIVERSAL SERIAL BUS (USB) PLUG SYSTEM**

(71) Applicant: **Toshiba Global Commerce Solutions Holdings Corporation**, Tokyo (JP)

(72) Inventors: **Timothy Crockett**, Raleigh, NC (US);
Stacy Arrington, Morrisville, NC (US);
Jose Figueroa, Knightdale, NC (US)

(73) Assignee: **Toshiba Global Commerce Solutions Holdings Corporation**, Tokyo (JP)

(**) Term: **14 Years**

(21) Appl. No.: **29/522,024**

(22) Filed: **Mar. 26, 2015**

(51) **LOC (10) Cl.** **13-03**

(52) **U.S. Cl.**
USPC **D13/147**

(58) **Field of Classification Search**
USPC D13/133, 147, 153, 154, 184, 199
See application file for complete search history.

(56) **References Cited**

U.S. PATENT DOCUMENTS

D355,891 S *	2/1995	Ditzig	D13/147
D399,047 S *	10/1998	Yoshida	D13/147
D466,479 S *	12/2002	Pein	D13/147
D477,571 S *	7/2003	Huang	D13/147

D591,678 S *	5/2009	Whitley	D13/133
D619,968 S *	7/2010	Lee	D13/154
D637,975 S *	5/2011	Canning	D13/154
D741,811 S *	10/2015	Hochman	D13/147

* cited by examiner

Primary Examiner — Daniel Bui

(74) *Attorney, Agent, or Firm* — Olive Law Group, PLLC

(57) **CLAIM**

The ornamental design of a universal serial bus (USB) plug system, as shown and described.

DESCRIPTION

This application is related to U.S. Utility patent application Ser. No. 14/670,395 titled Micro Universal Serial Bus (USB) Plug System and filed simultaneously herewith.

FIG. 1 is a front, top and left side perspective view of a universal serial bus (USB) plug system showing our new design;

FIG. 2 is a back, top and right side perspective view thereof;

FIG. 3 is a back elevational view thereof;

FIG. 4 is a left side elevational view thereof;

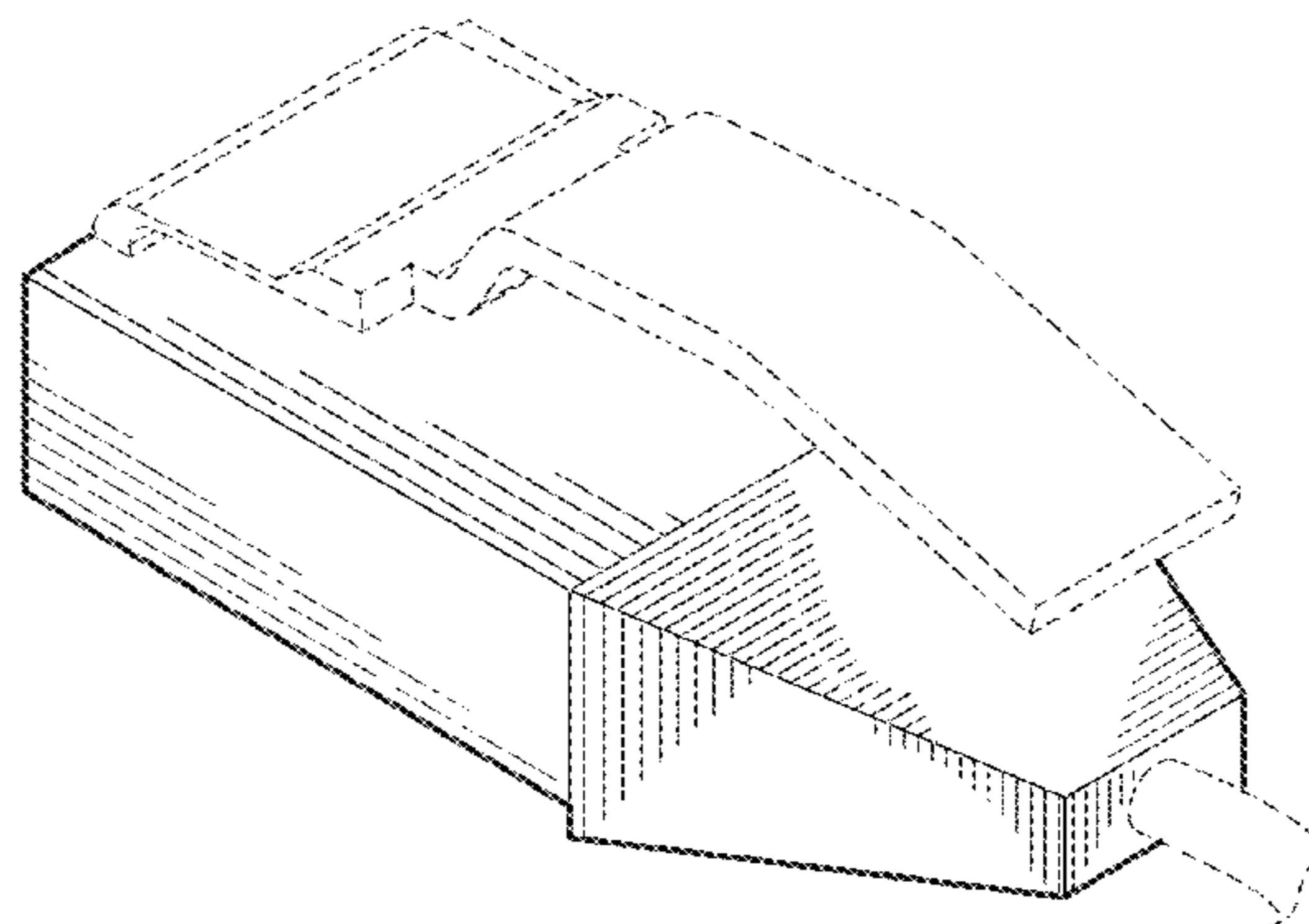
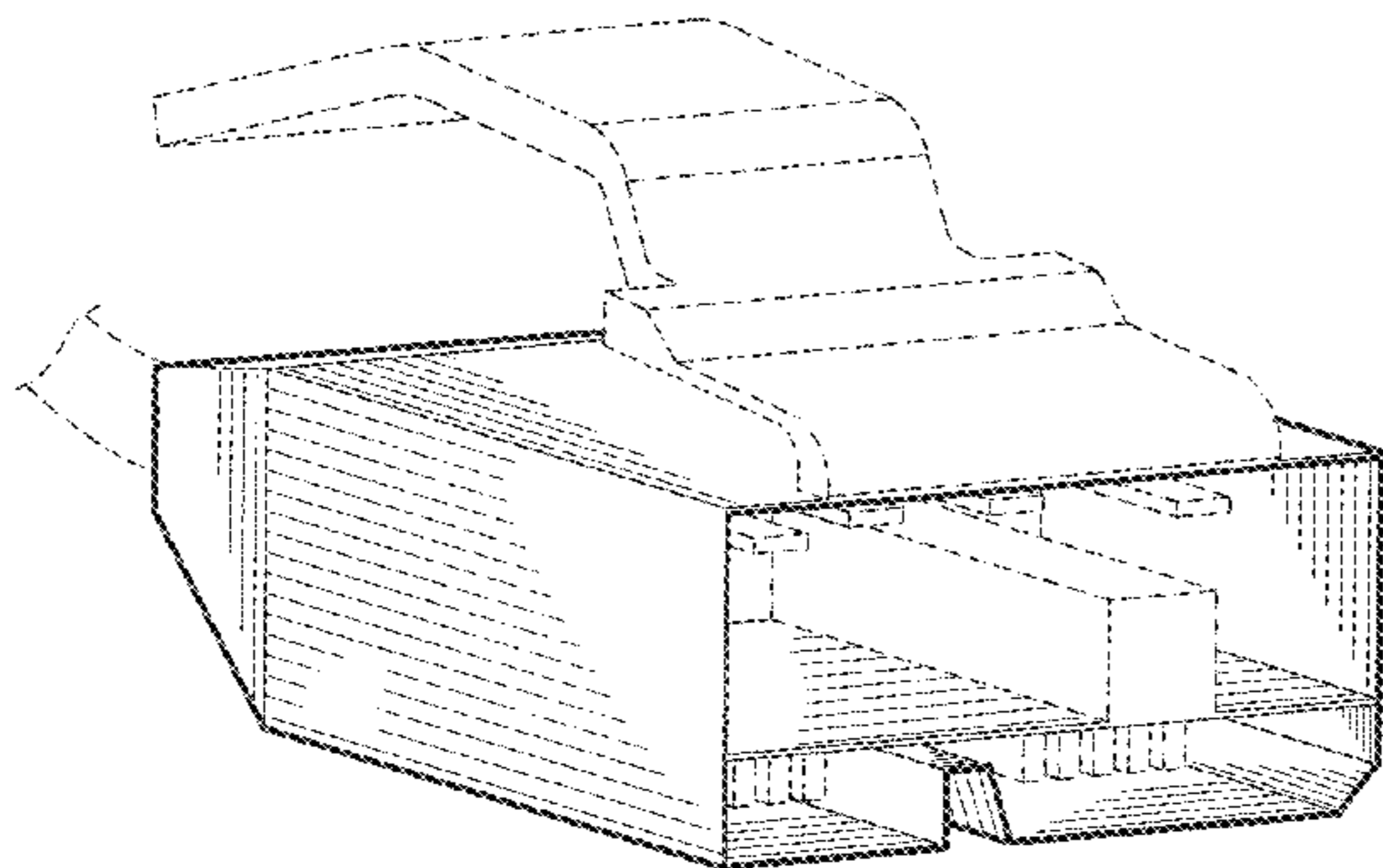
FIG. 5 is a right side elevational view thereof;

FIG. 6 is a top plan view thereof; and,

FIG. 7 is a front elevational view thereof.

The broken line in the drawing represents unclaimed portion of the universal serial bus (USB) plug system and forms no part of the claimed design.

1 Claim, 2 Drawing Sheets



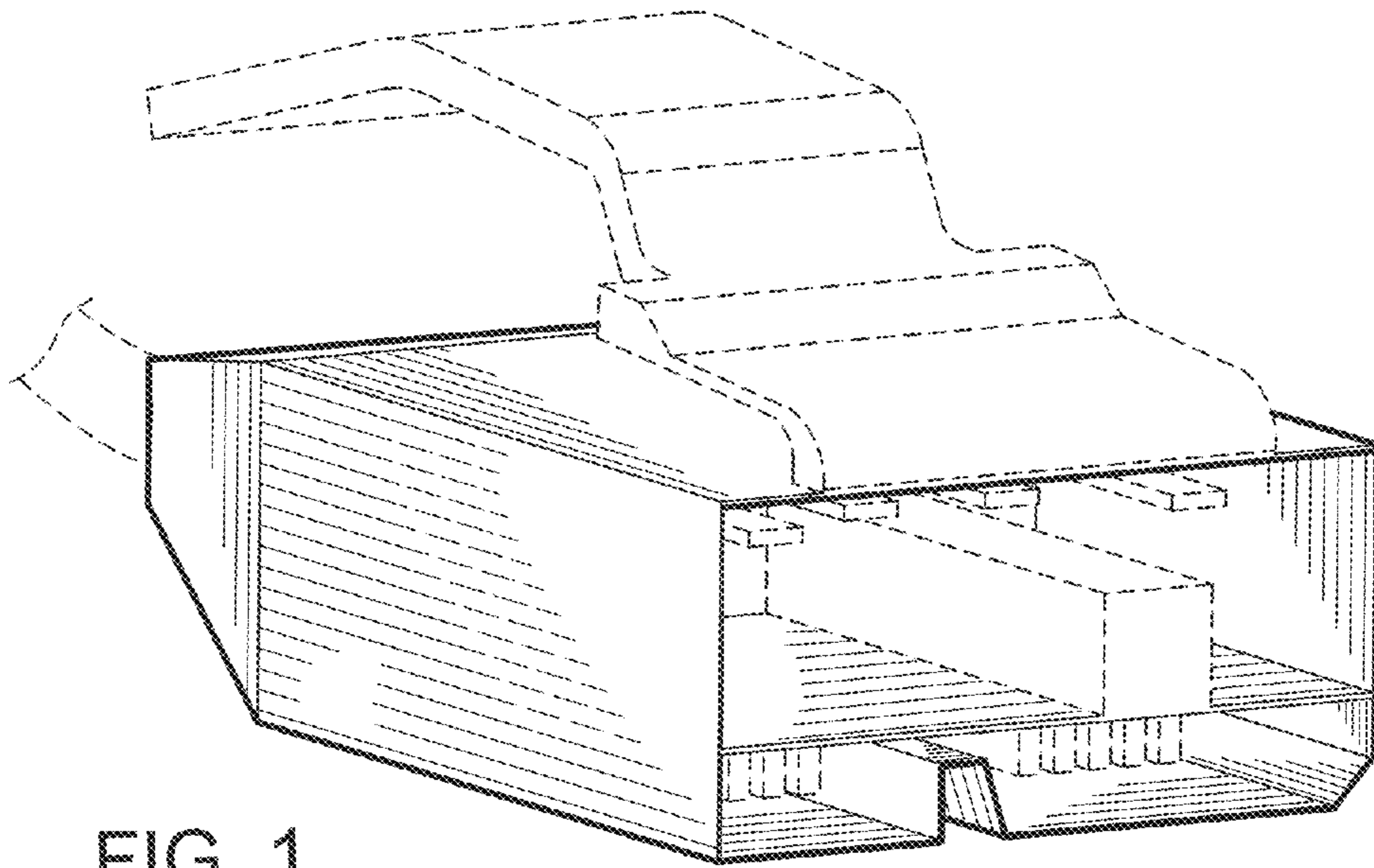


FIG. 1

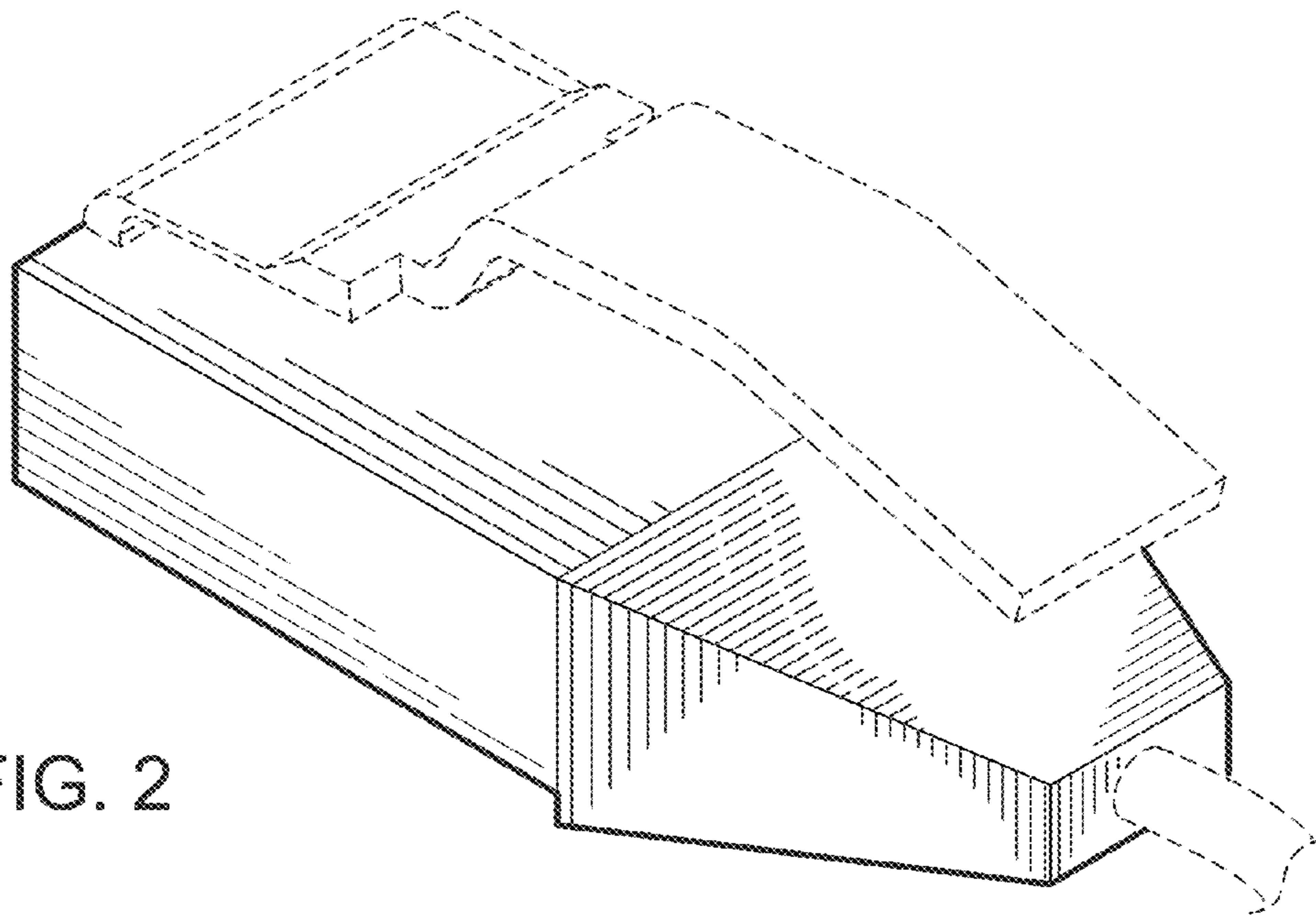


FIG. 2

FIG. 3

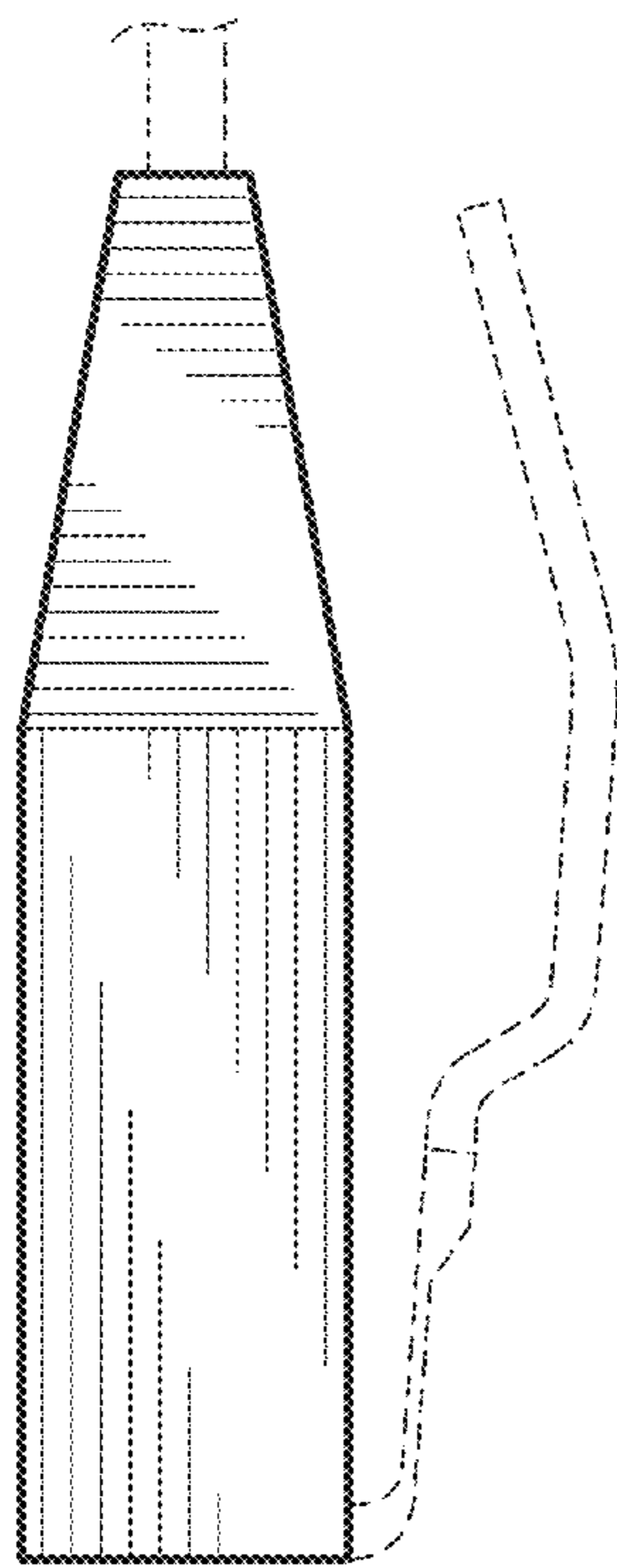
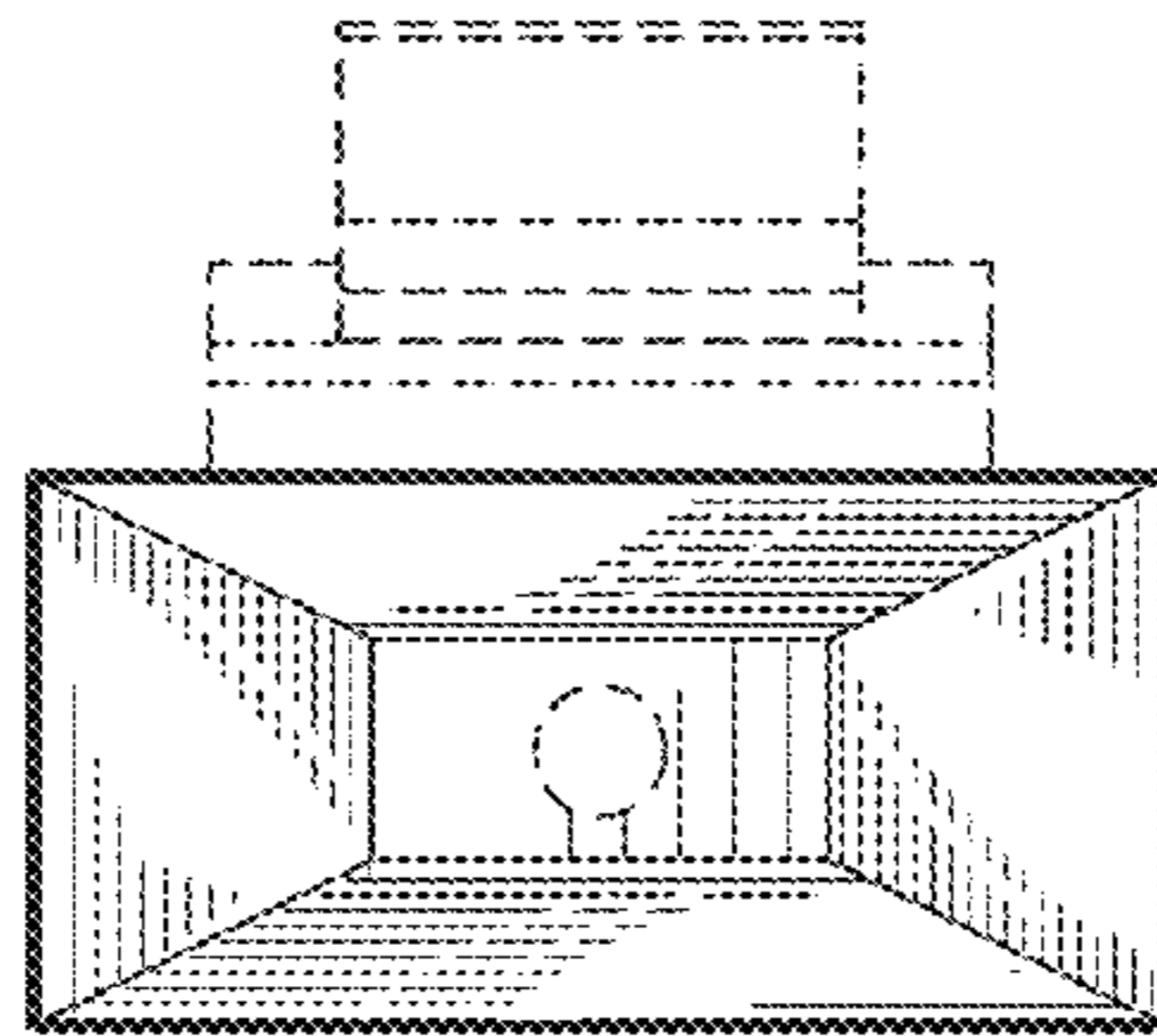


FIG. 4

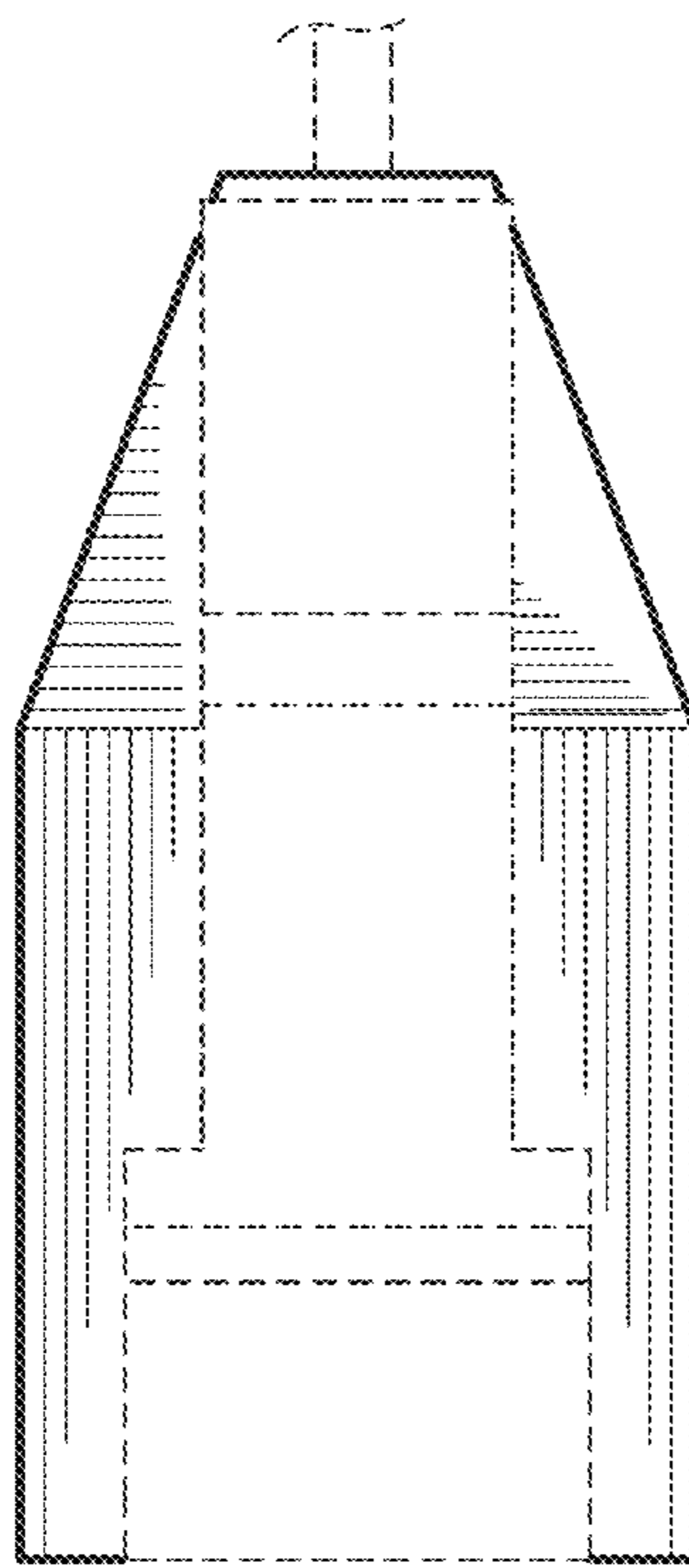


FIG. 6

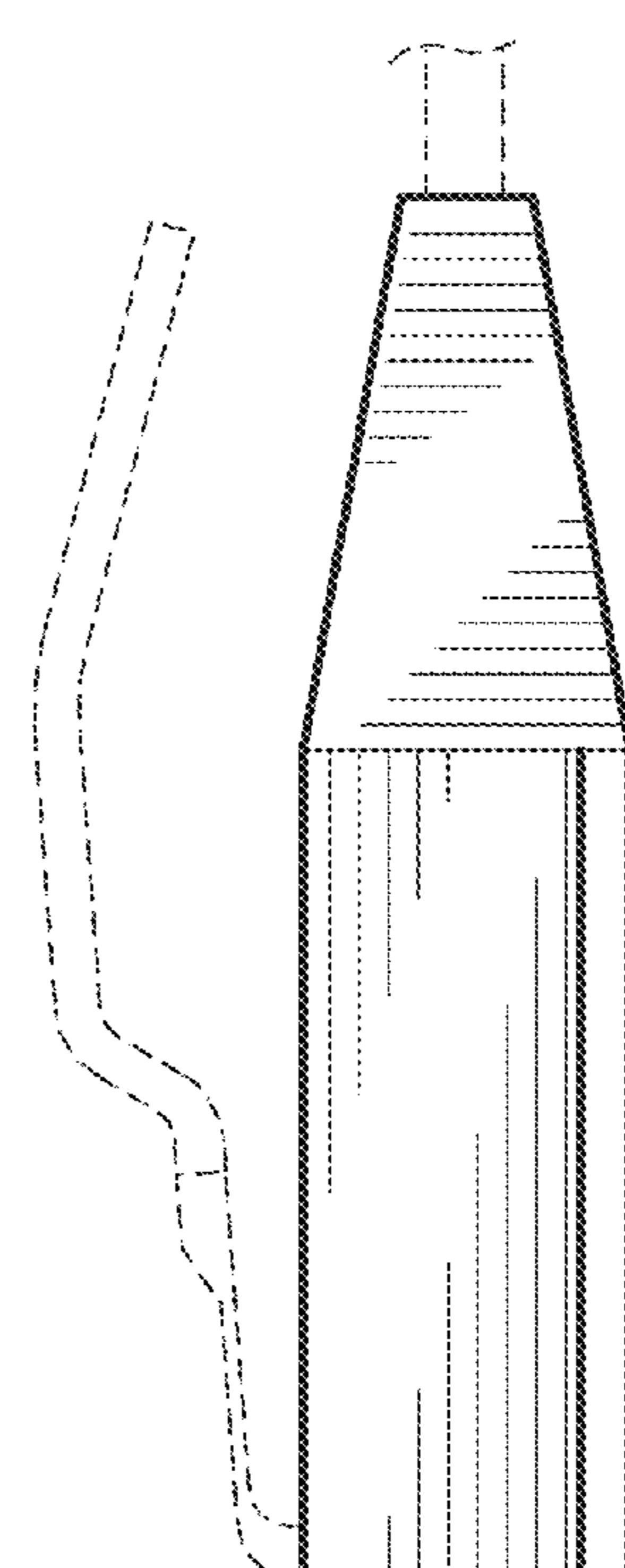


FIG. 5

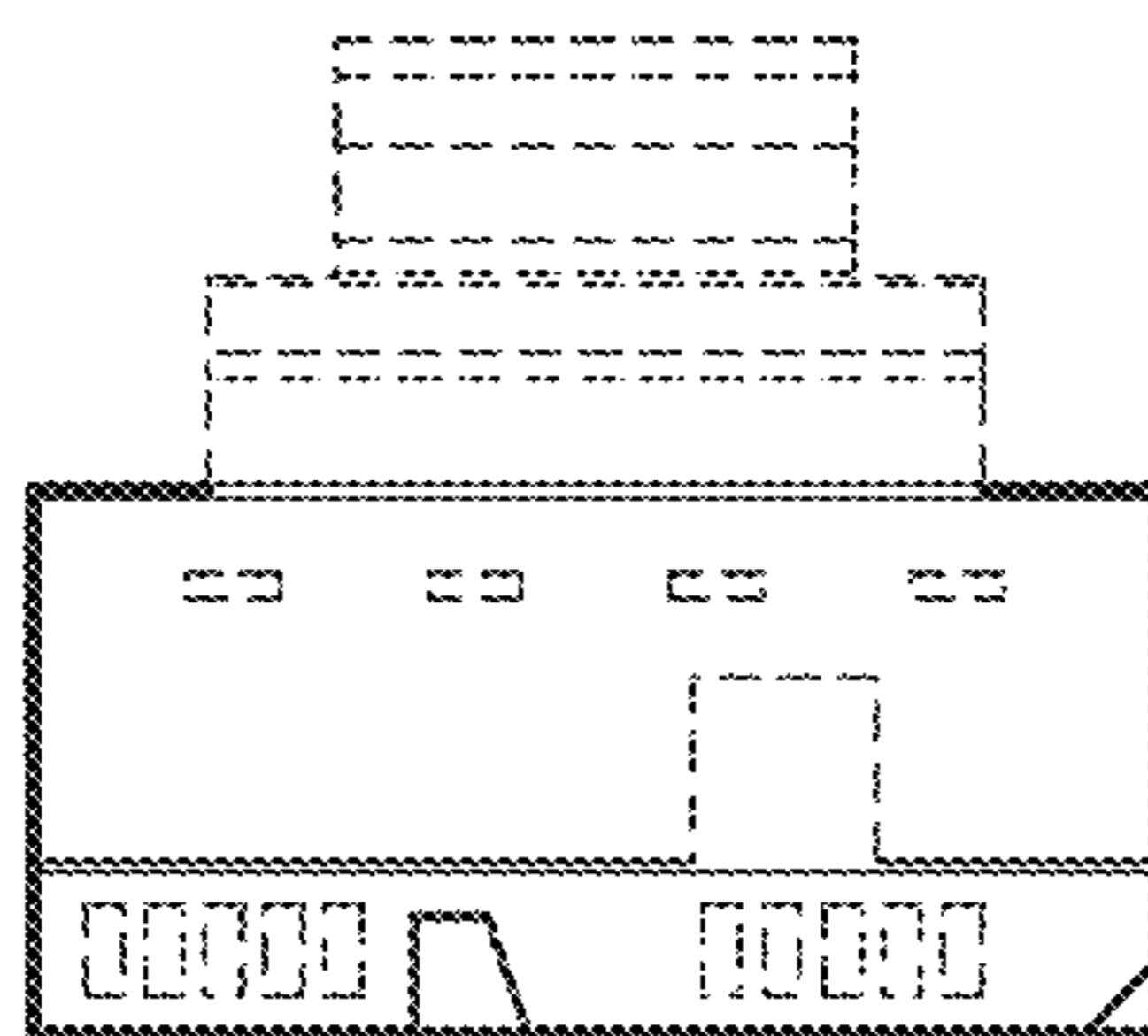


FIG. 7