



US00D762584S

(12) **United States Design Patent**  
**Chen**

(10) **Patent No.:** **US D762,584 S**

(45) **Date of Patent:** **\*\* Aug. 2, 2016**

(54) **POWER MALE CONNECTOR**

(71) Applicant: **Oupiin Electronic (Kunshan) Co., Ltd.**, Kunshan (CN)

(72) Inventor: **Hsin Chih Chen**, Kunshan (CN)

(73) Assignee: **OUPIIN ELECTRONIC (KUNSHAN) CO., LTD.**, Kunshan (CN)

(\*\*) Term: **14 Years**

(21) Appl. No.: **29/521,571**

(22) Filed: **Mar. 25, 2015**

(30) **Foreign Application Priority Data**

Sep. 30, 2014 (CN) ..... 2014 3 0370351

(51) **LOC (10) Cl.** ..... **13-03**

(52) **U.S. Cl.**  
USPC ..... **D13/147**

(58) **Field of Classification Search**  
USPC ..... D13/146, 147, 154, 184, 199  
See application file for complete search history.

(56) **References Cited**

**U.S. PATENT DOCUMENTS**

5,630,720 A \* 5/1997 Kocher ..... H01R 13/642  
439/678  
6,210,240 B1 \* 4/2001 Comerci ..... H01R 12/7088  
439/853

D519,460 S \* 4/2006 Riku ..... D13/147  
D529,444 S \* 10/2006 Kudo ..... D13/147  
2014/0206241 A1 \* 7/2014 Chen ..... H01R 12/7088  
439/676

**FOREIGN PATENT DOCUMENTS**

TW D108884 2/2006

\* cited by examiner

*Primary Examiner* — Daniel Bui

(74) *Attorney, Agent, or Firm* — JMB Davis Ben-David

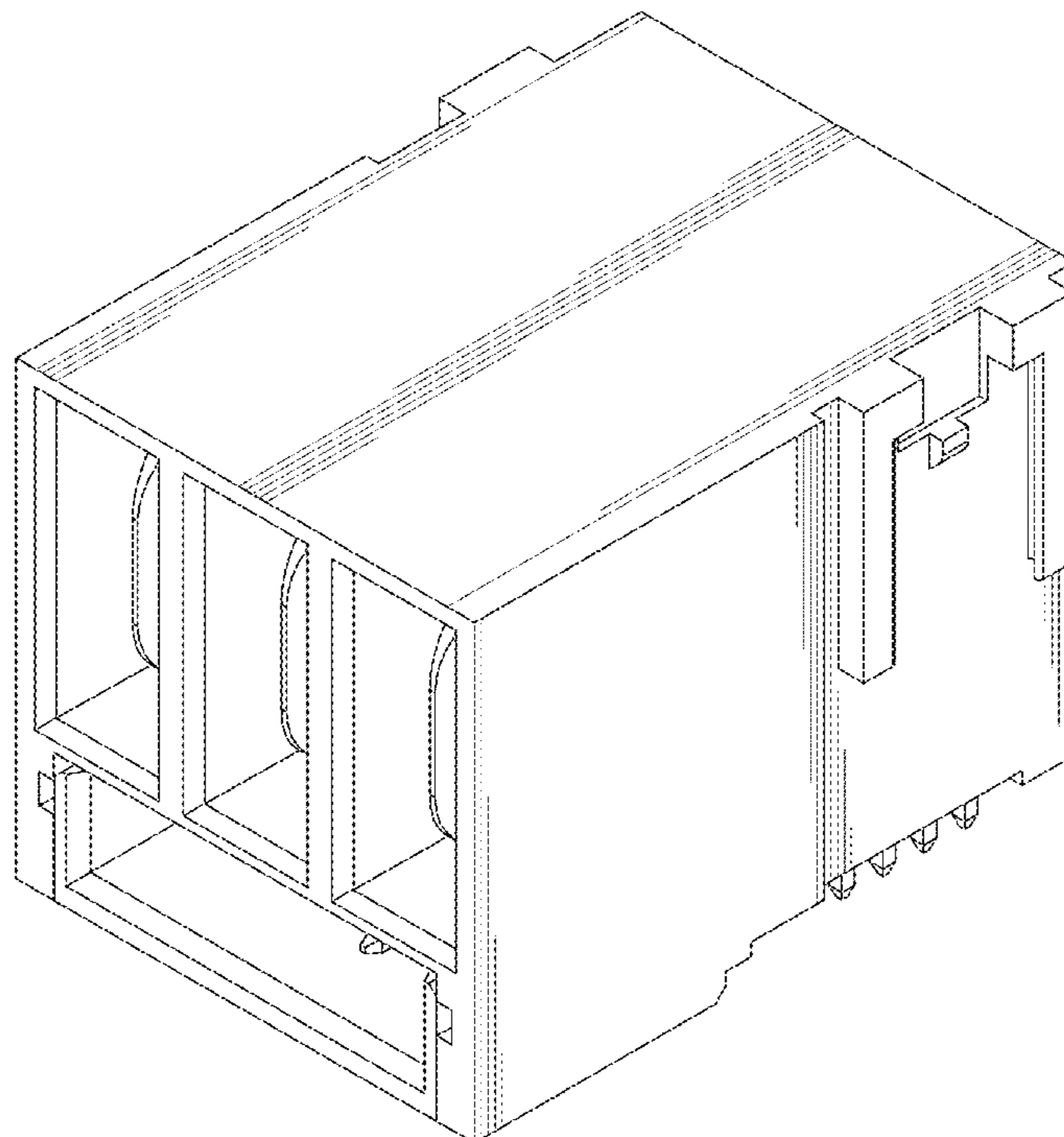
(57) **CLAIM**

The ornamental design for a power male connector, as shown and described.

**DESCRIPTION**

FIG. 1 is a front, top, and right side perspective view of a power male connector showing my new design; FIG. 2 is a front plane view thereof; FIG. 3 is a back plane view thereof; FIG. 4 is a left side view thereof; FIG. 5 is a right side view thereof; FIG. 6 is a top plan view thereof; and, FIG. 7 is a bottom plan view thereof. The broken line in FIG. 3 represents unclaimed environment only, and forms no part of the claimed design.

**1 Claim, 7 Drawing Sheets**



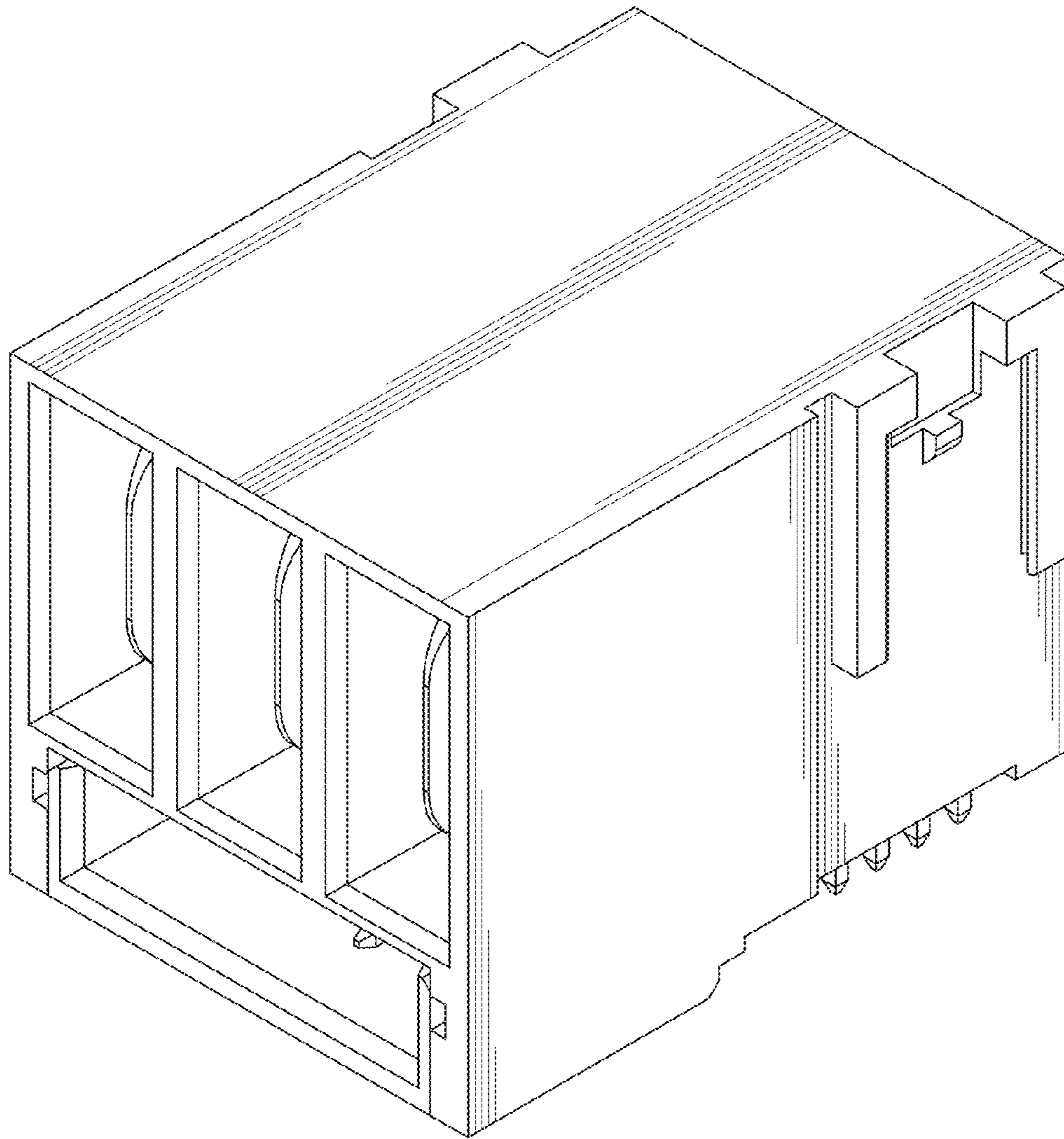


FIG. 1

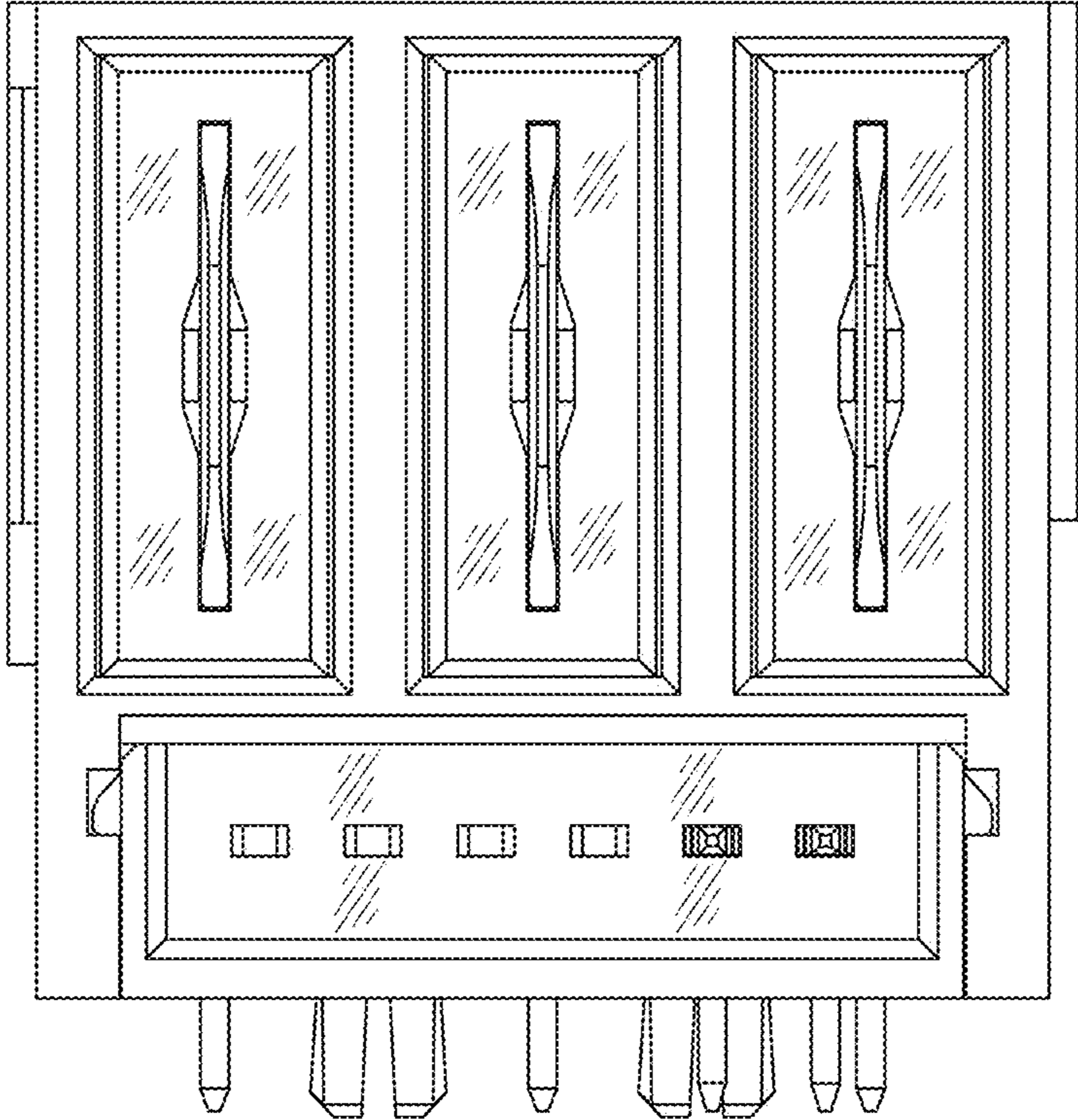


FIG. 2

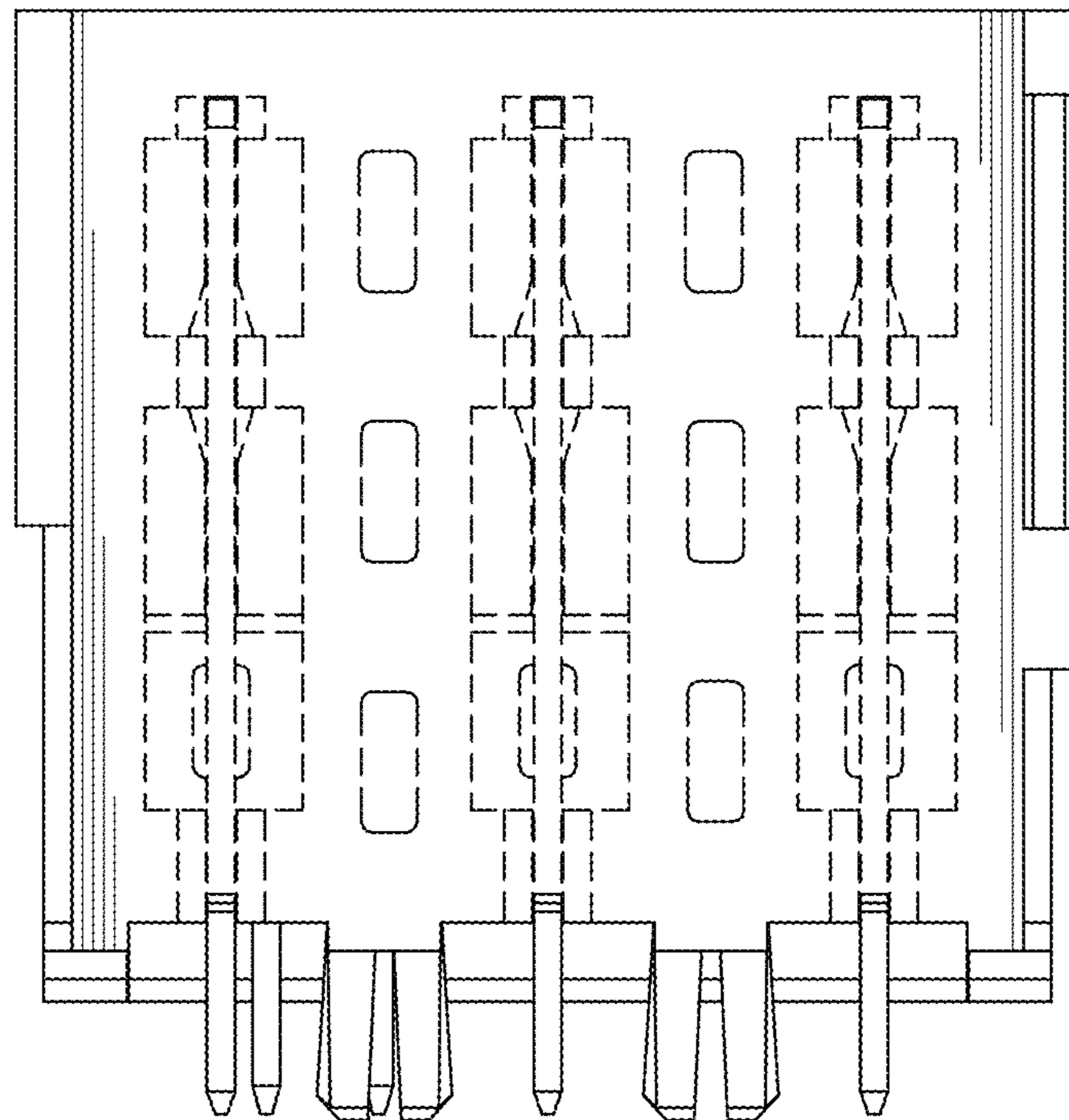


FIG. 3

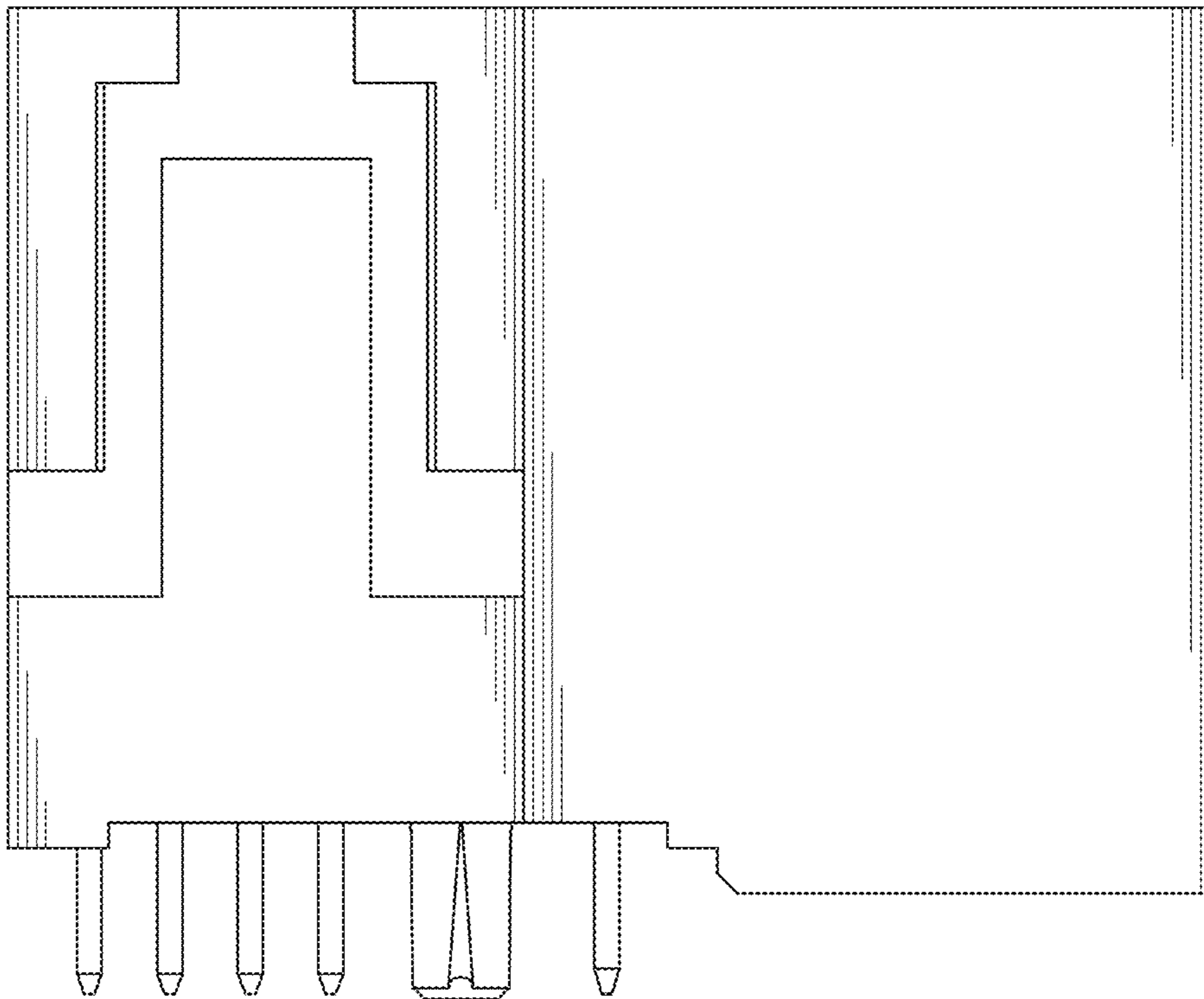


FIG. 4

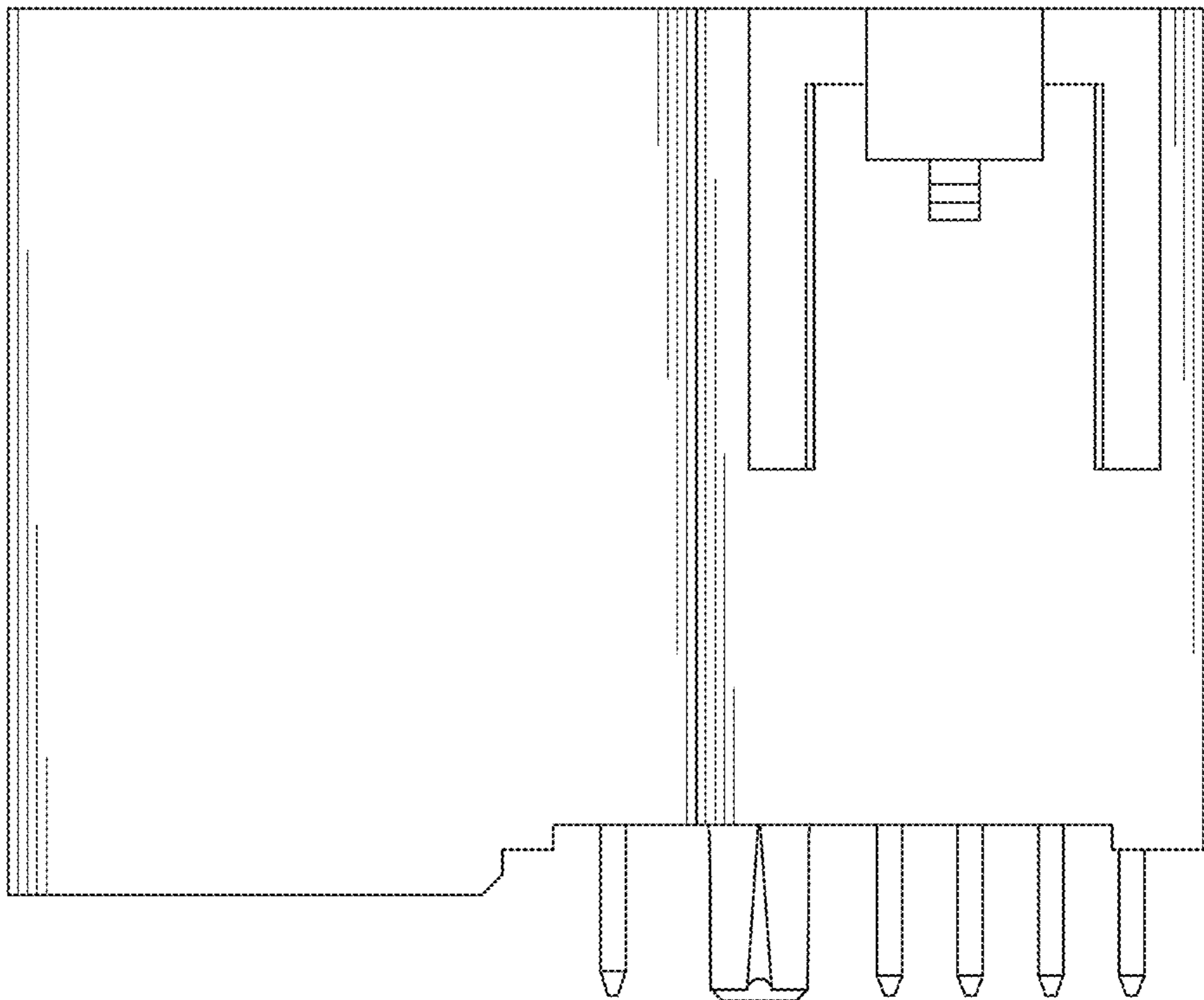


FIG. 5

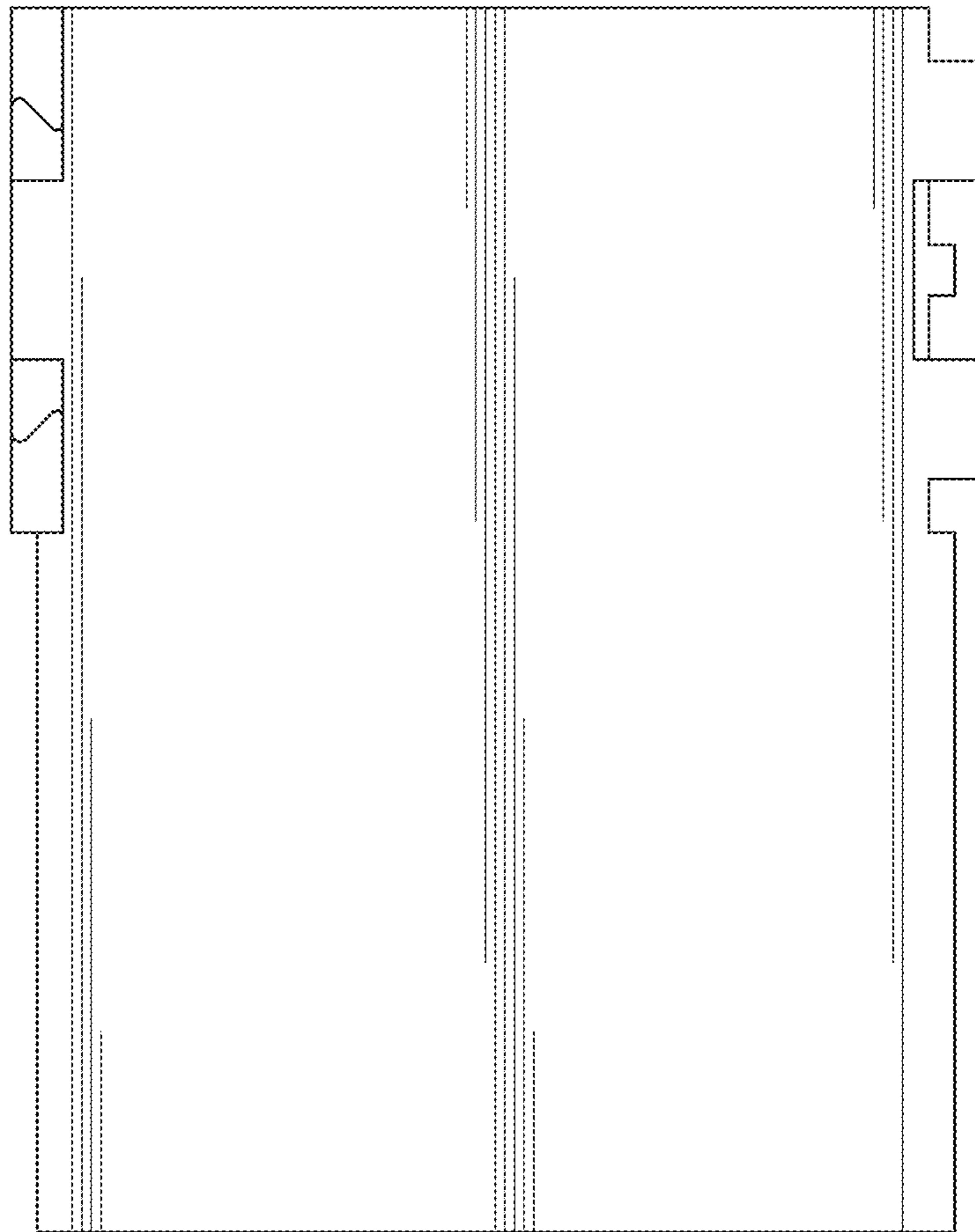


FIG. 6

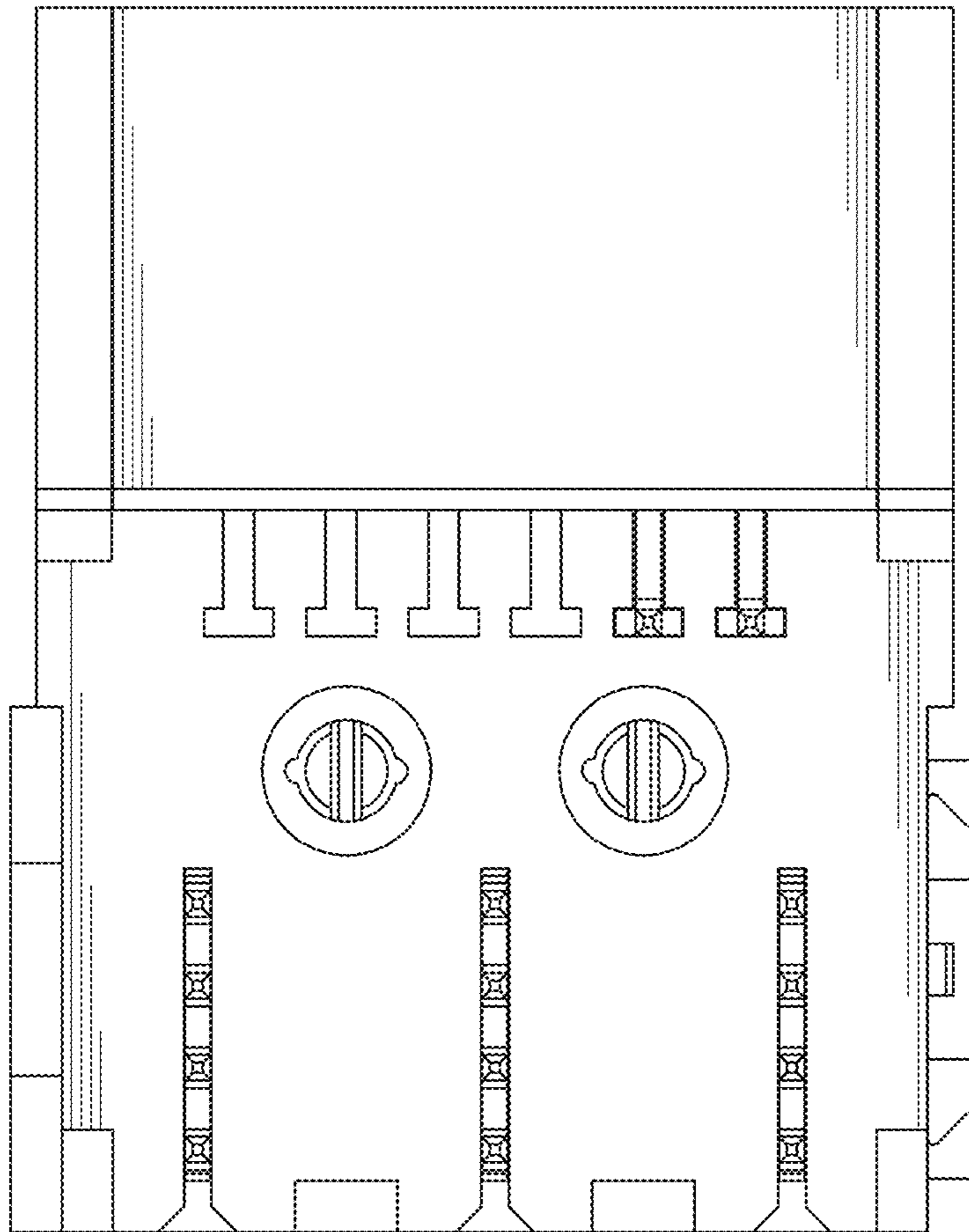


FIG. 7