

US00D762583S

(12) **United States Design Patent**
Dick

(10) **Patent No.:** **US D762,583 S**

(45) **Date of Patent:** **** Aug. 2, 2016**

(54) **ELECTRICAL CONNECTOR**

(71) Applicant: **Norgas Metering Technologies, Inc.**,
Fairfield, OH (US)

(72) Inventor: **Michael D. Dick**, Springboro, OH (US)

(73) Assignee: **Norgas Metering Technologies, Inc.**,
Fairfield, OH (US)

(**) Term: **14 Years**

(21) Appl. No.: **29/517,230**

(22) Filed: **Feb. 11, 2015**

(51) **LOC (10) Cl.** **13-03**

(52) **U.S. Cl.**
USPC **D13/147**

(58) **Field of Classification Search**
USPC D13/133, 146, 147, 154, 184, 199
See application file for complete search history.

(56) **References Cited**

U.S. PATENT DOCUMENTS

D378,209 S * 2/1997 Morikawa D13/133
D544,446 S * 6/2007 Yang D13/147

D604,697 S * 11/2009 Sogo D13/133
D718,165 S * 11/2014 Dick D10/99
D731,979 S * 6/2015 Edwards D13/146

* cited by examiner

Primary Examiner — Daniel Bui

(74) *Attorney, Agent, or Firm* — Wood, Herron & Evans,
LLP

(57) **CLAIM**

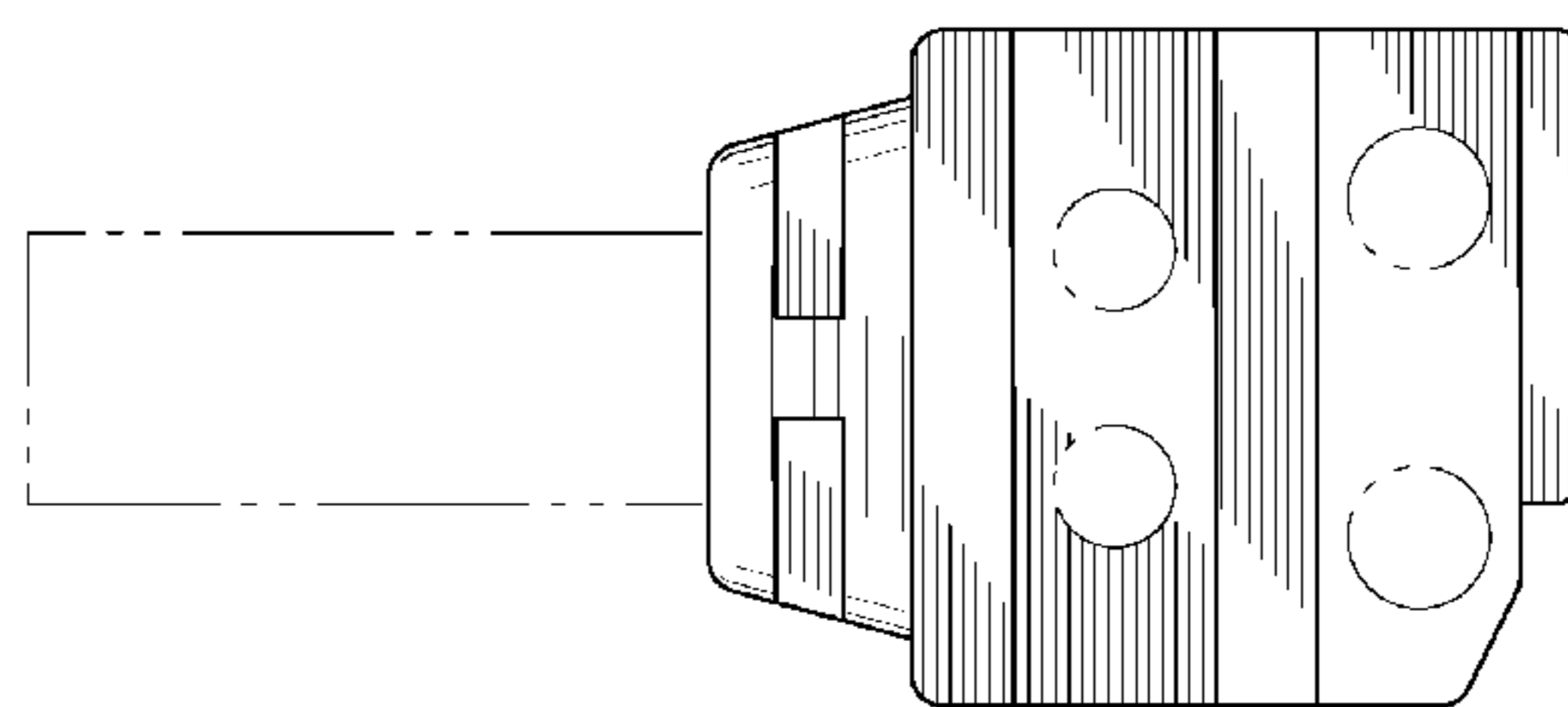
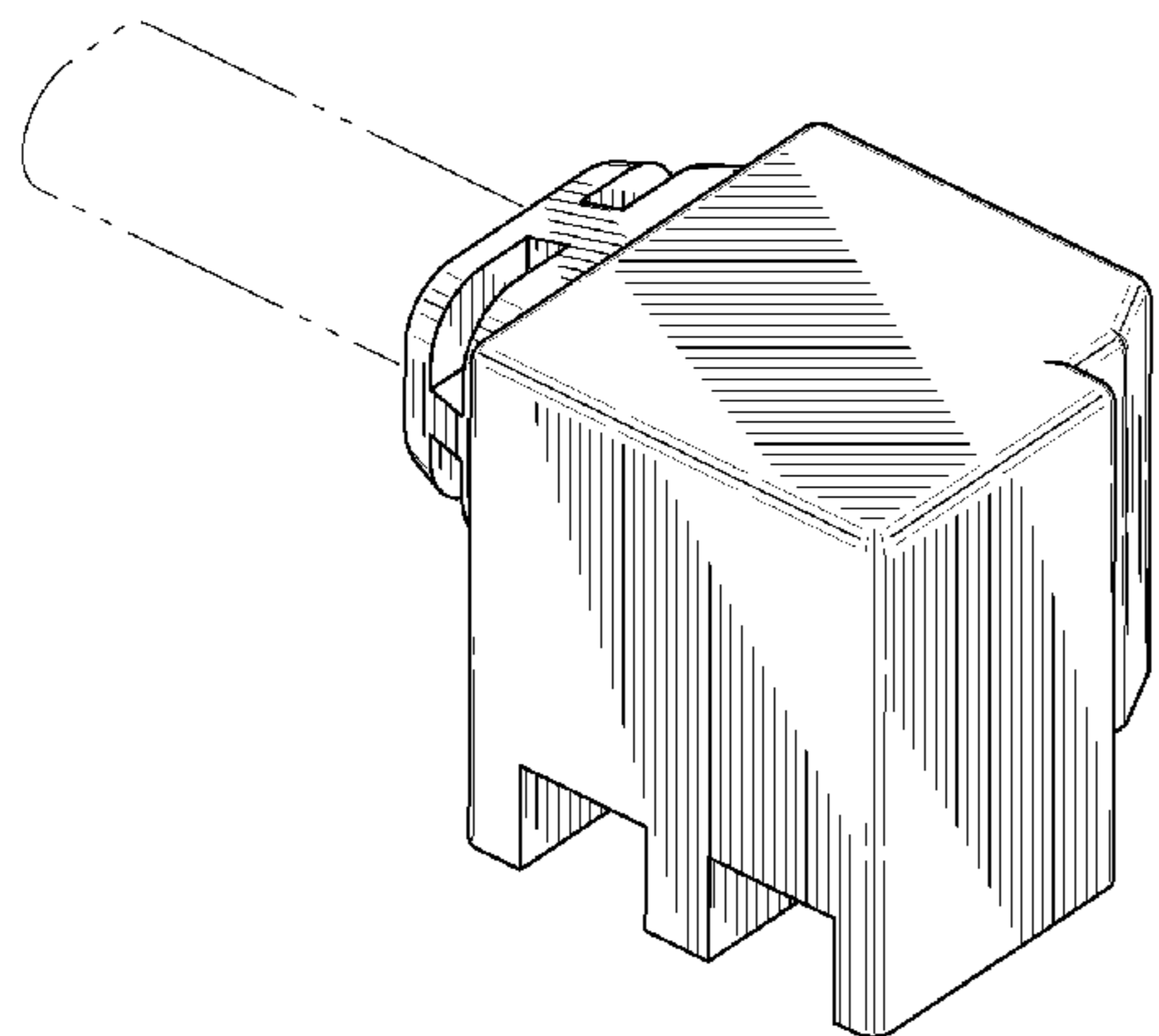
The ornamental design for the electrical connector, as shown
and described.

DESCRIPTION

FIG. 1 is a top, front and left side perspective view of an
electrical connector showing my new design;
FIG. 2 is a front view thereof;
FIG. 3 is a rear view thereof;
FIG. 4 is a top view thereof;
FIG. 5 is a right side view thereof;
FIG. 6 is a left side view thereof; and,
FIG. 7 is a bottom view thereof.

The broken line in the drawing represents unclaimed environ-
ment and forms no part of the claimed design.

1 Claim, 3 Drawing Sheets



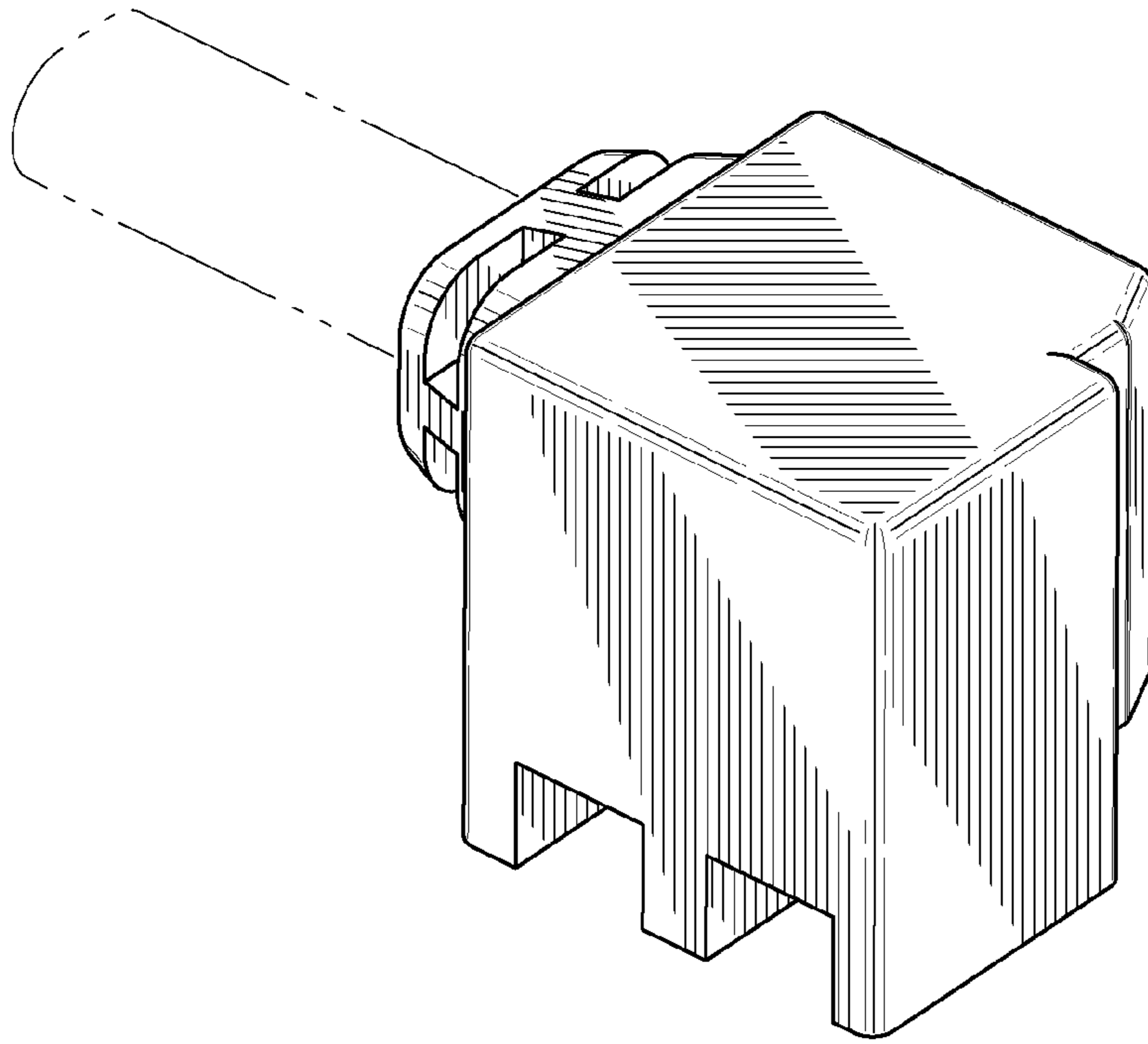


FIG. 1

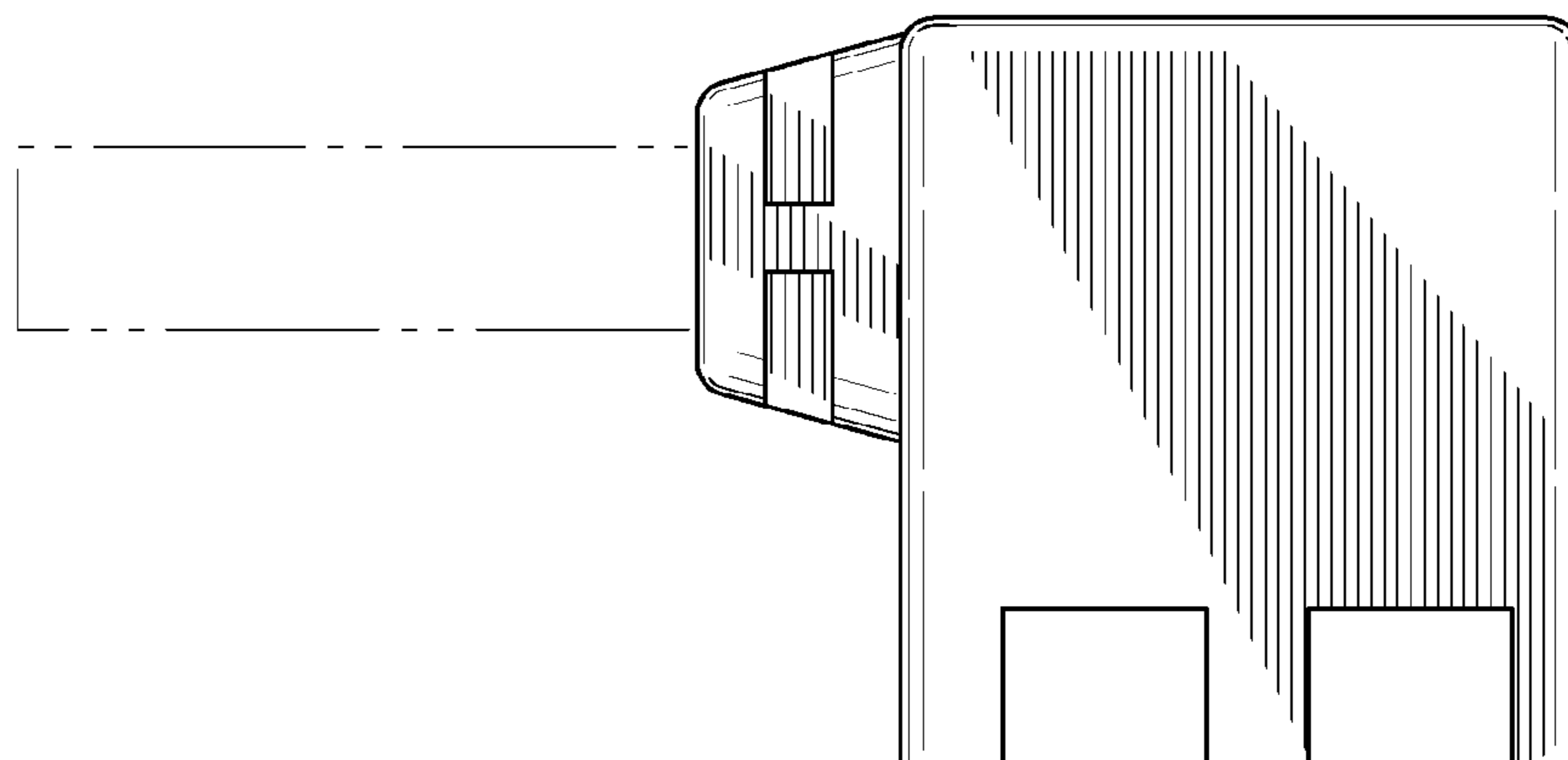


FIG. 2

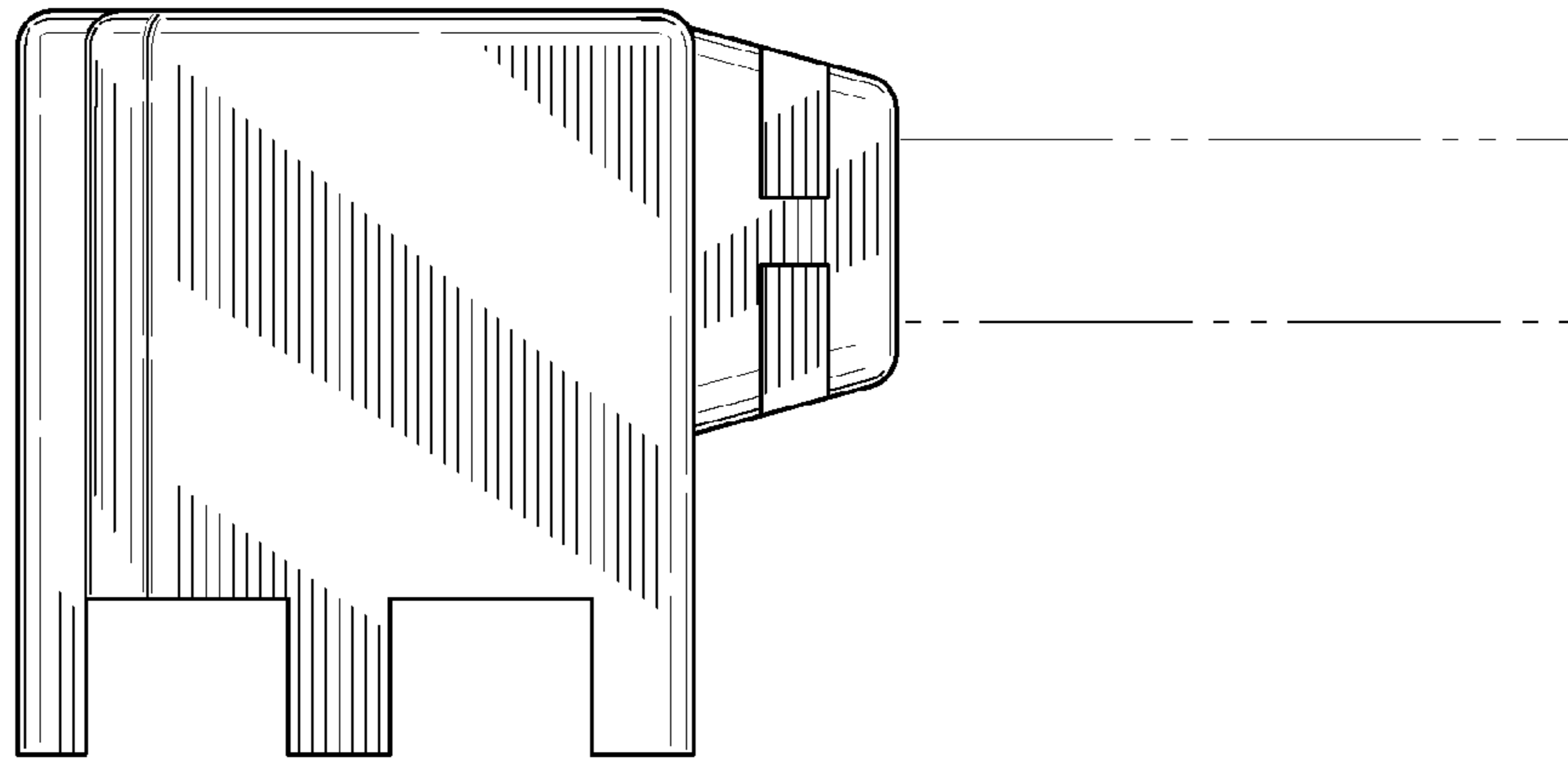


FIG. 3

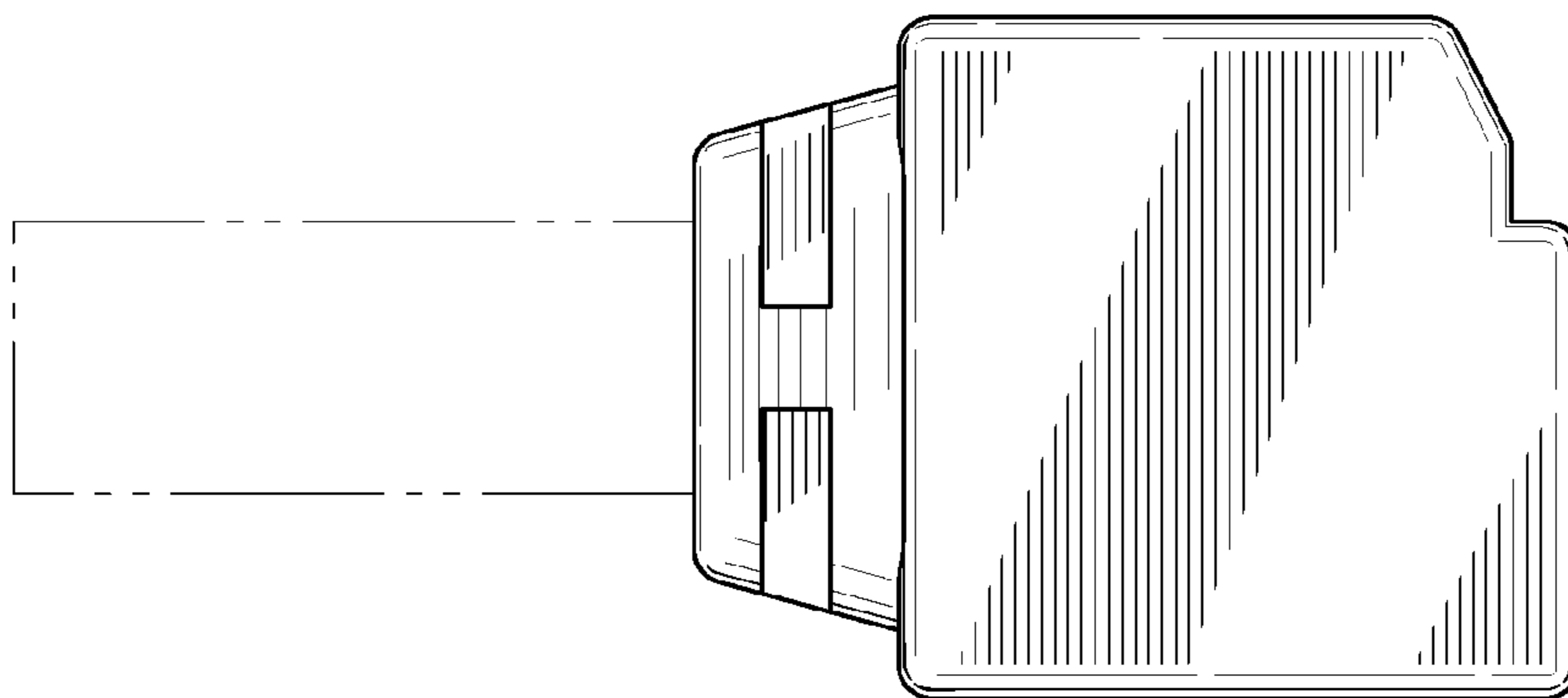


FIG. 4

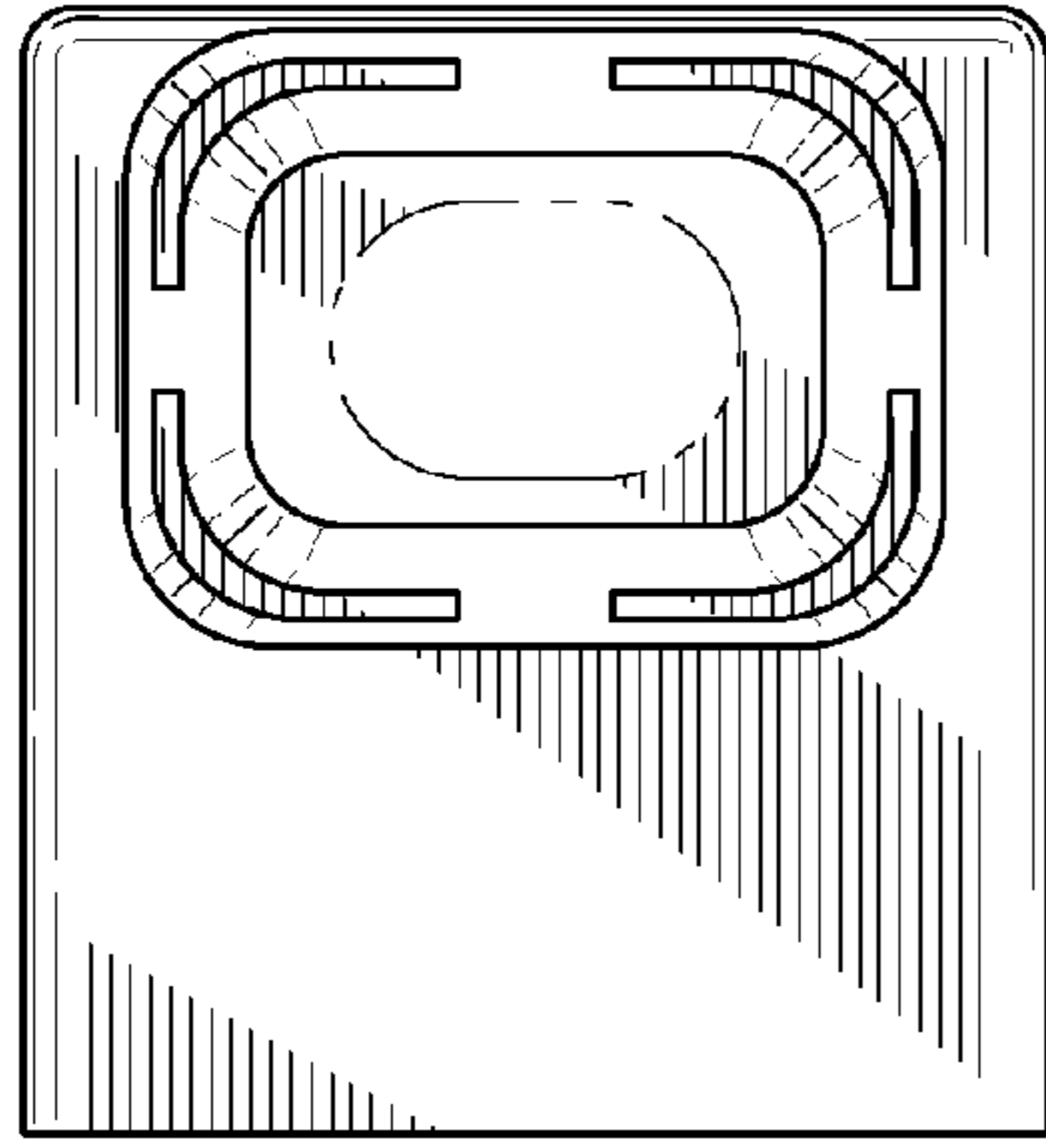


FIG. 5

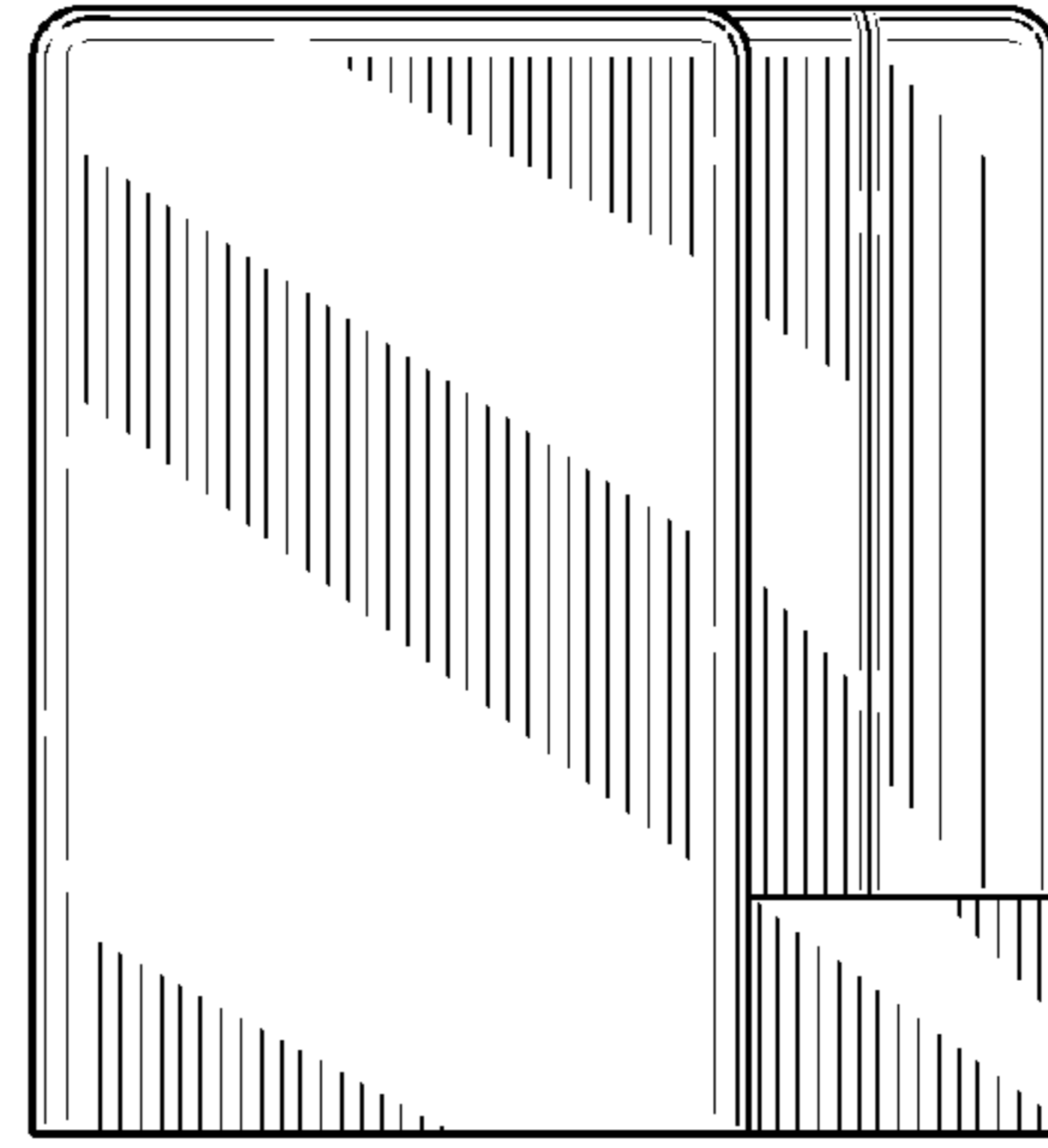


FIG. 6

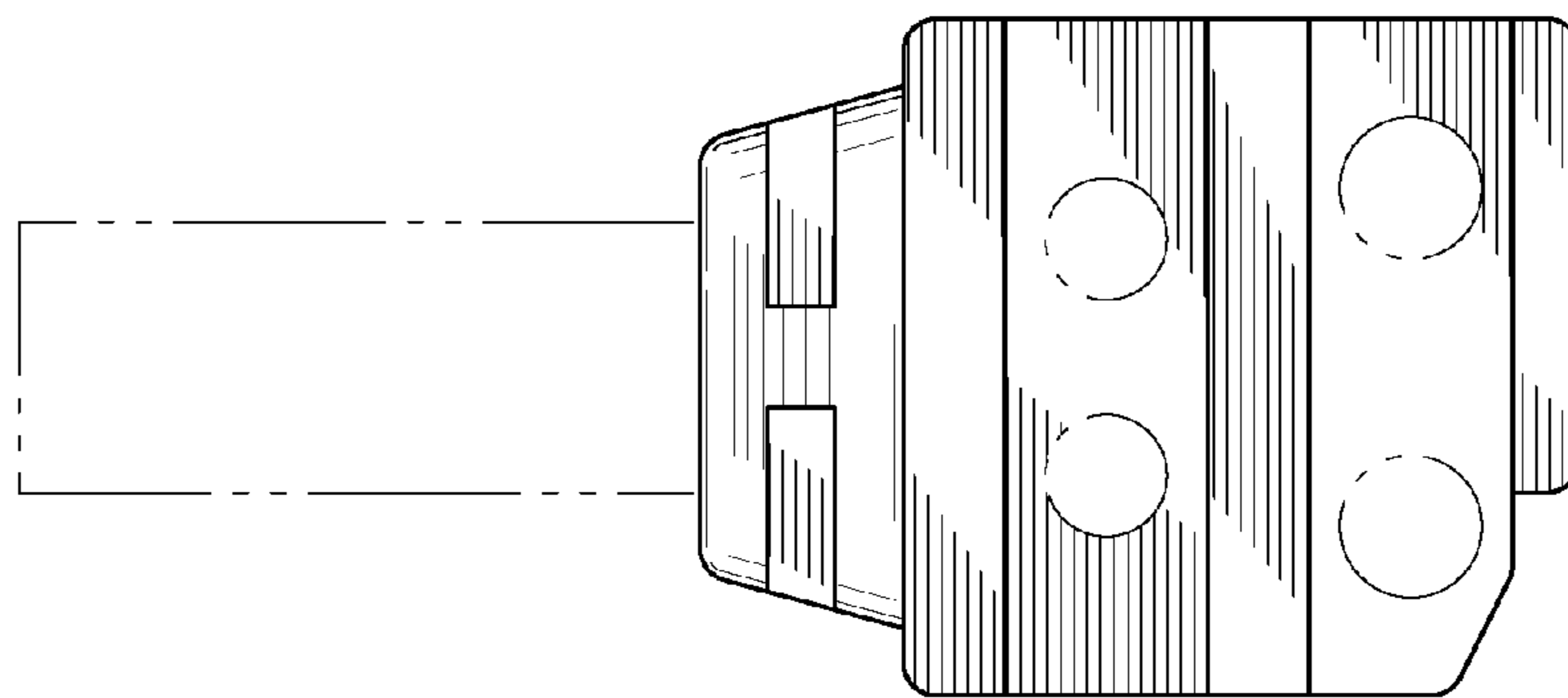


FIG. 7