



US00D762580S

(12) **United States Design Patent**
Wilkins

(10) **Patent No.:** **US D762,580 S**

(45) **Date of Patent:** **** Aug. 2, 2016**

(54) **STATOR**

(71) Applicant: **Stephen Wilkins**, Floyds Knobs, IN
(US)

(72) Inventor: **Stephen Wilkins**, Floyds Knobs, IN
(US)

(73) Assignee: **WILKINS IP, LLC**, New Albany, IN
(US)

(**) Term: **14 Years**

(21) Appl. No.: **29/520,648**

(22) Filed: **Mar. 17, 2015**

(51) **LOC (10) Cl.** **13-01**

(52) **U.S. Cl.**
USPC **D13/122**

(58) **Field of Classification Search**
USPC D13/122, 112, 113, 114, 199; D15/3, 5,
D15/199; 74/606 R, 609; 310/10, 40 R, 42,
310/51, 58, 71, 80, 83, 85, 89, 91, 109, 236,
310/239, 254; 318/245, 255
CPC H02K 5/04; H02K 5/10; H02K 5/22;
H02K 5/148; H02K 29/14; H02P 6/06;
F28F 1/20

See application file for complete search history.

(56) **References Cited**

U.S. PATENT DOCUMENTS

- 5,829,422 A * 11/1998 Deeds F02P 1/083
123/599
- D443,585 S * 6/2001 Shida D13/122
- D458,222 S * 6/2002 Asao D13/122
- D469,740 S * 2/2003 Oohashi D13/118
- 6,724,120 B1 * 4/2004 Horng H02K 1/146
310/216.074
- D588,537 S * 3/2009 Allen D13/122

- D603,793 S * 11/2009 Lindberg D13/112
- 7,737,596 B2 * 6/2010 Boucher H02K 29/03
310/156.73
- D624,497 S * 9/2010 Ishizuka D13/118

* cited by examiner

Primary Examiner — Derrick Holland

(74) *Attorney, Agent, or Firm* — Finnegan, Henderson, Farabow, Garrett & Dunner, LLP

(57) **CLAIM**

The ornamental design for a stator, as shown and described.

DESCRIPTION

FIG. 1 is a bottom front perspective view of a stator showing my new design;

FIG. 2 is a top rear perspective view thereof, the view of the interior being radially symmetric;

FIG. 3 is a front elevation view thereof; the right side view, the left side view, and the rear elevation view being identical thereto;

FIG. 4 is a top plan view thereof;

FIG. 5 is a bottom plan view thereof;

FIG. 6 is a cross-sectional view of the stator taken along the line 6-6 shown in FIG. 5;

FIG. 7 is a cross-sectional view of the stator taken along the line 7-7 shown in FIG. 5;

FIG. 8 is a perspective cross-sectional view of the stator taken along the line 8-8 shown in FIG. 5;

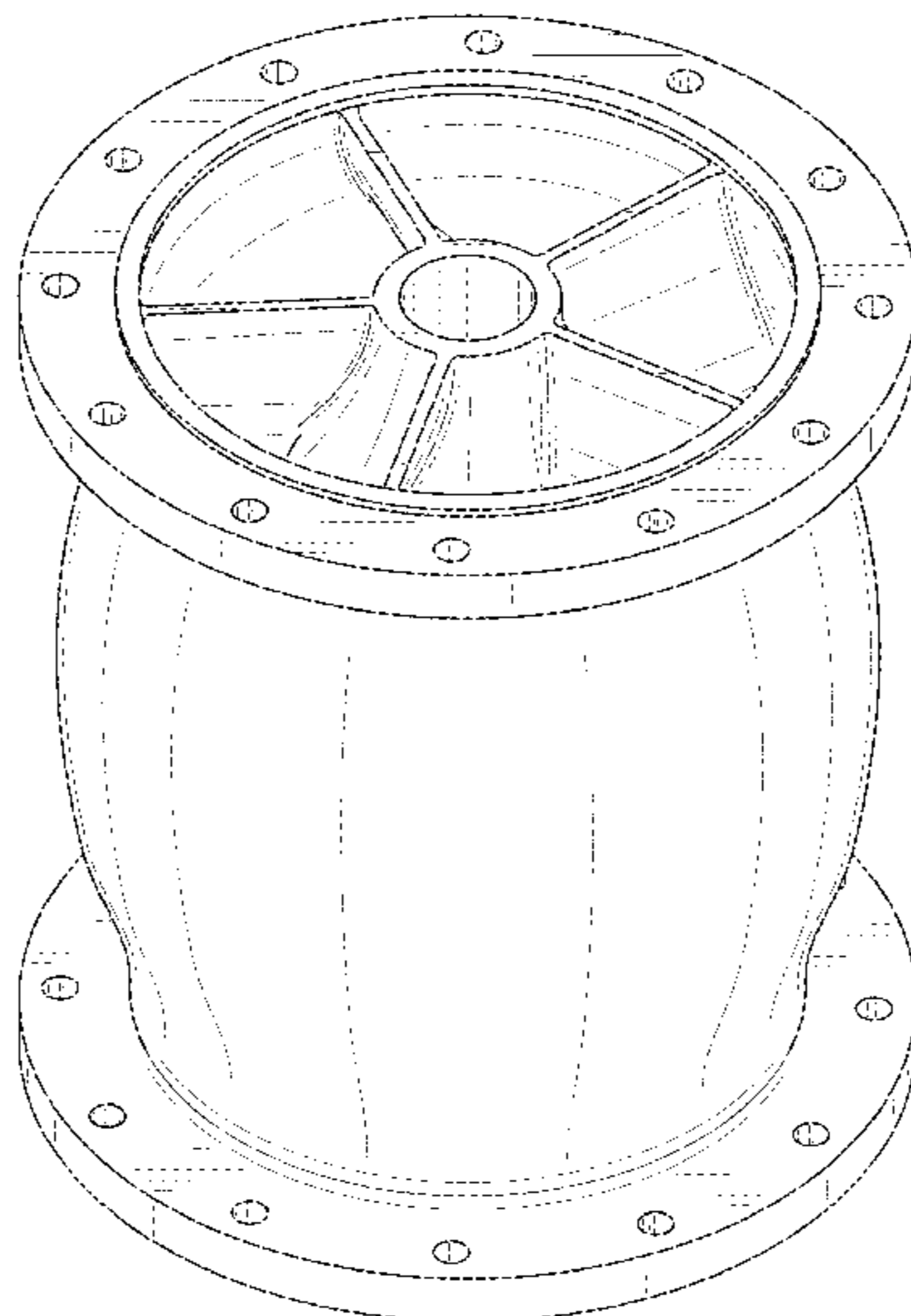
FIG. 9 is a perspective cross-sectional view of the stator taken along the line 9-9 shown in FIG. 5;

FIG. 10 is a perspective cross-sectional view of the stator taken along the line 10-10 shown in FIG. 5; and,

FIG. 11 is a perspective cross-sectional view of the stator taken along the line 11-11 shown in FIG. 5.

The dot-dash lines shown in FIG. 5 represents unclaimed subject matter and forms no part of the claimed design.

1 Claim, 11 Drawing Sheets



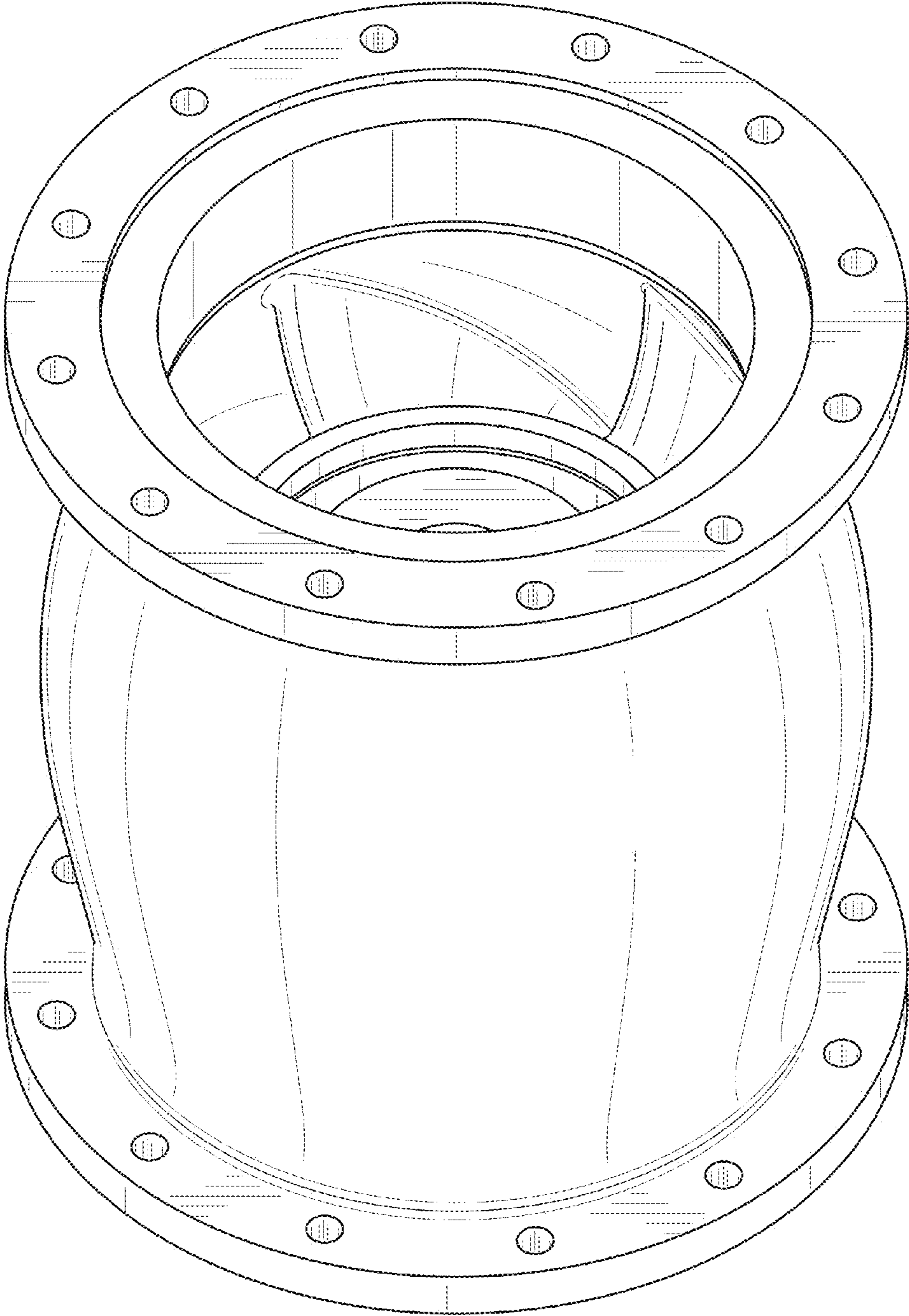


FIG. 1

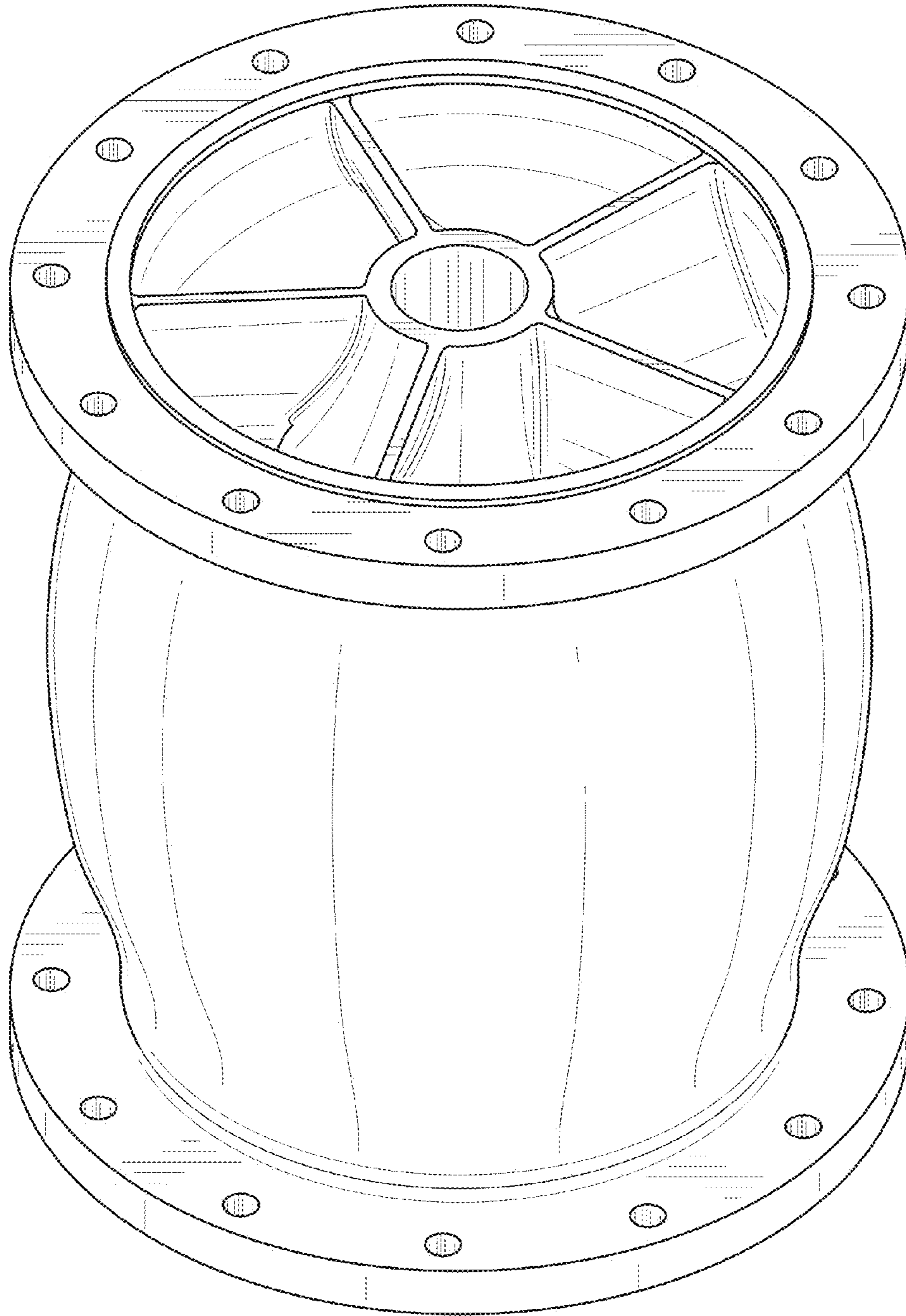


FIG. 2

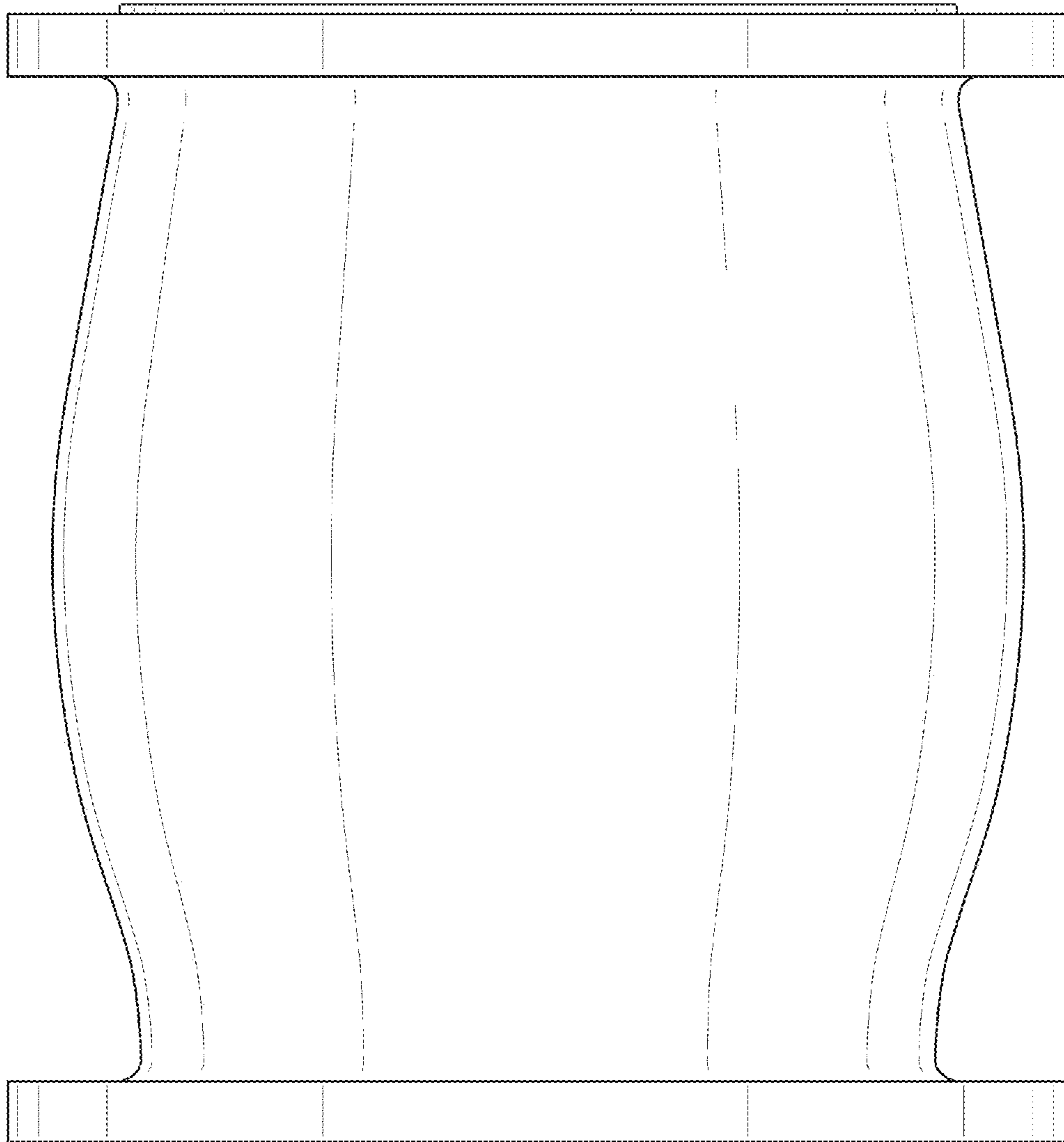


FIG. 3

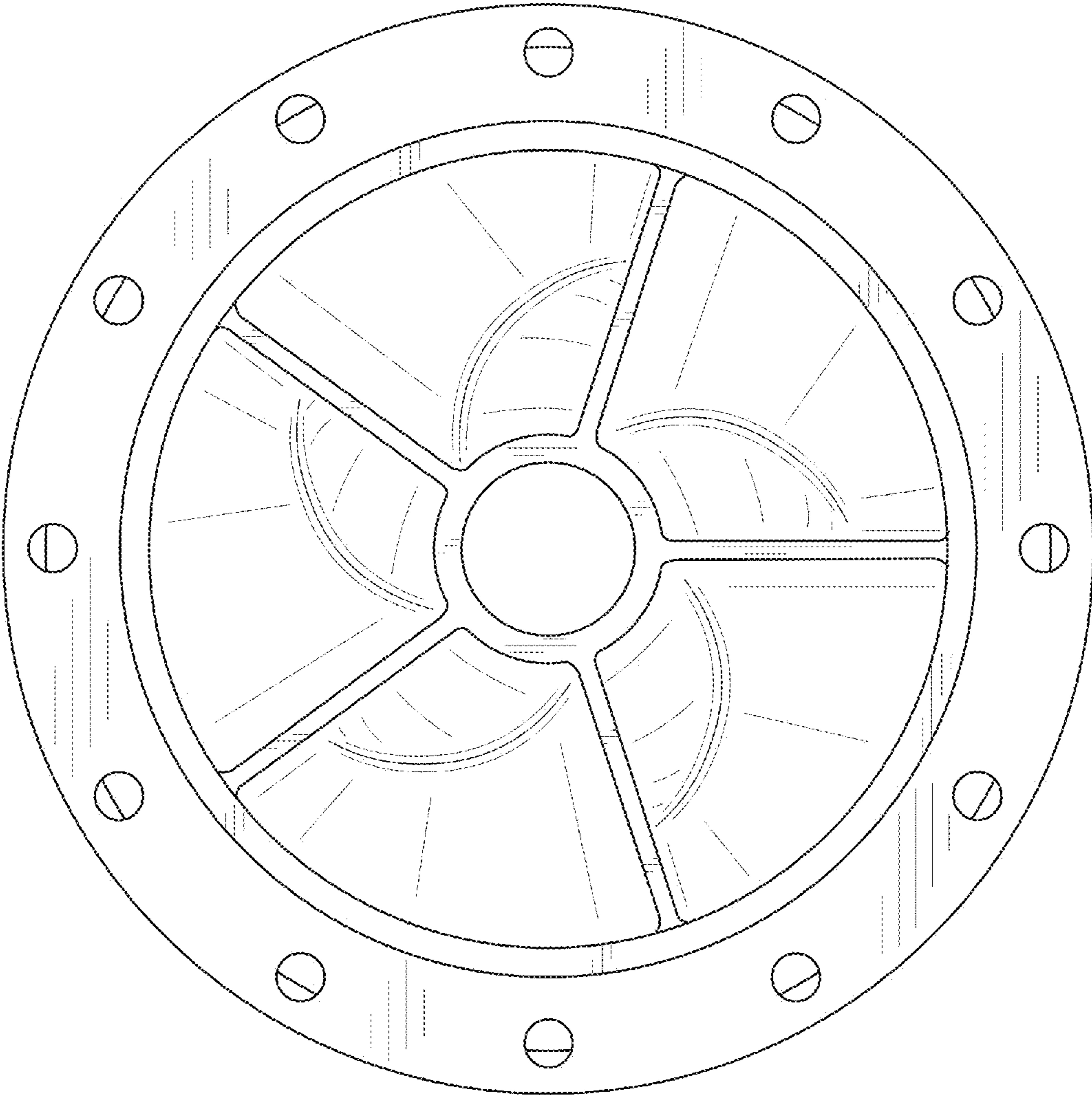


FIG. 4

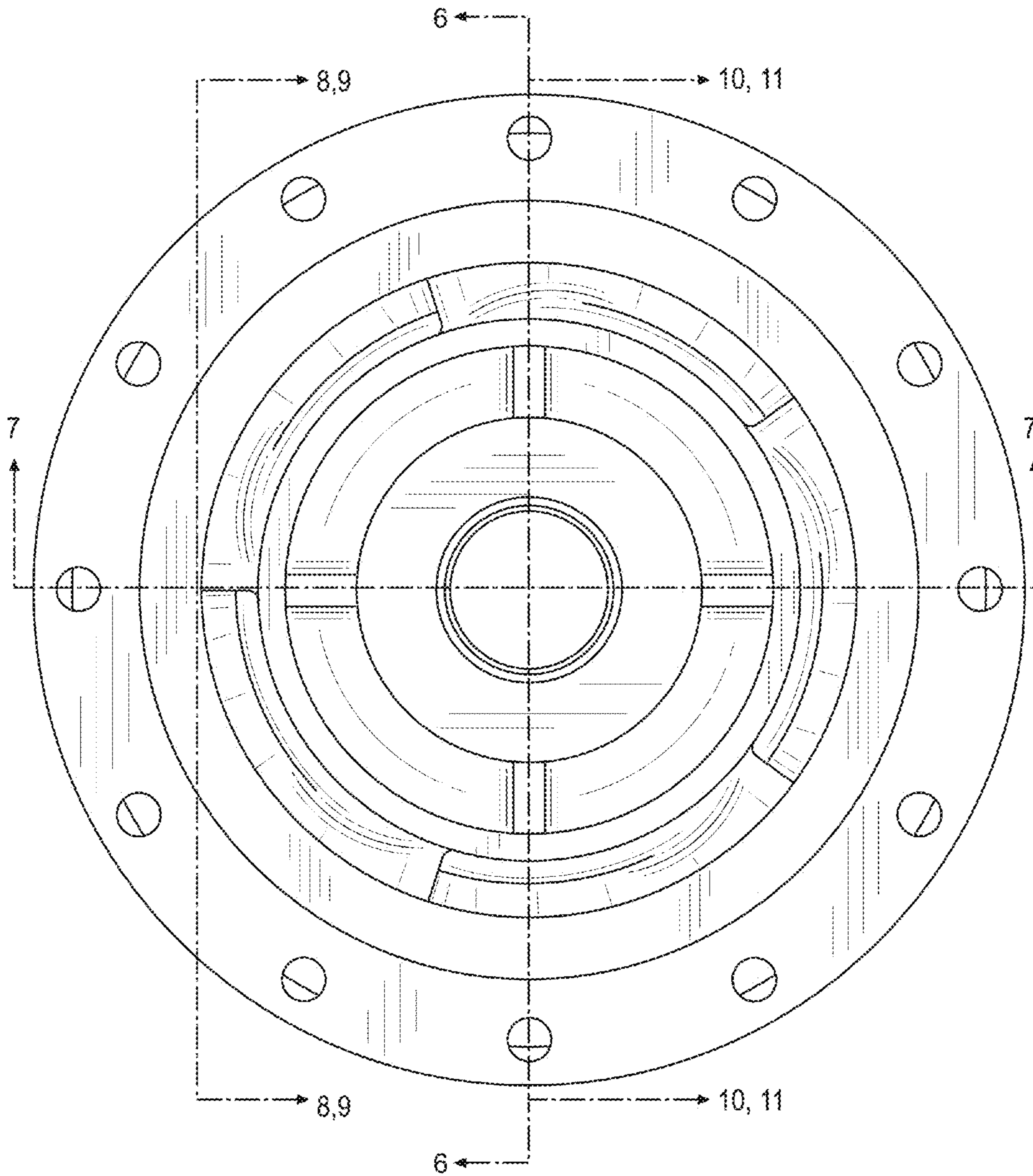


FIG. 5

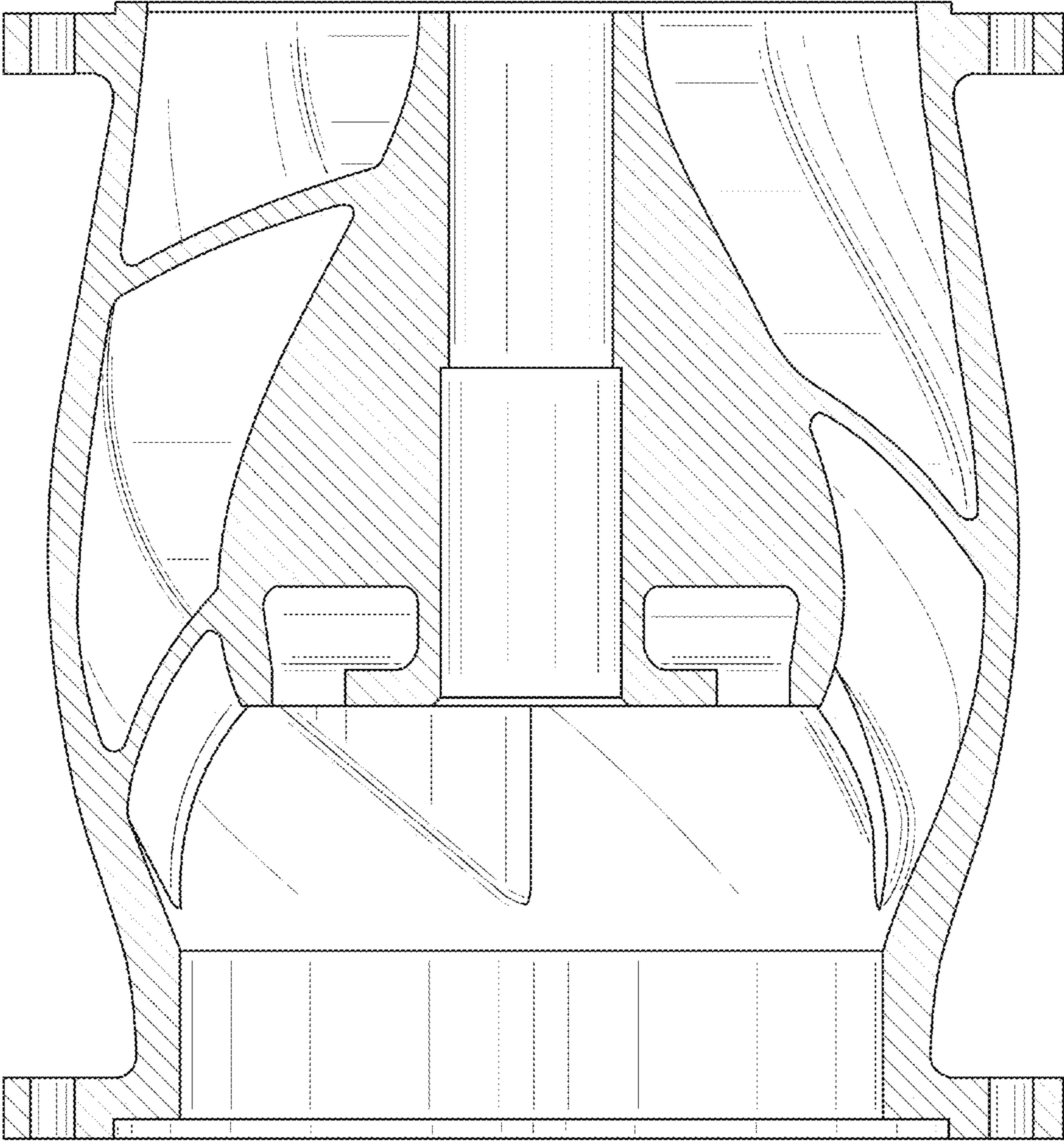


FIG. 6

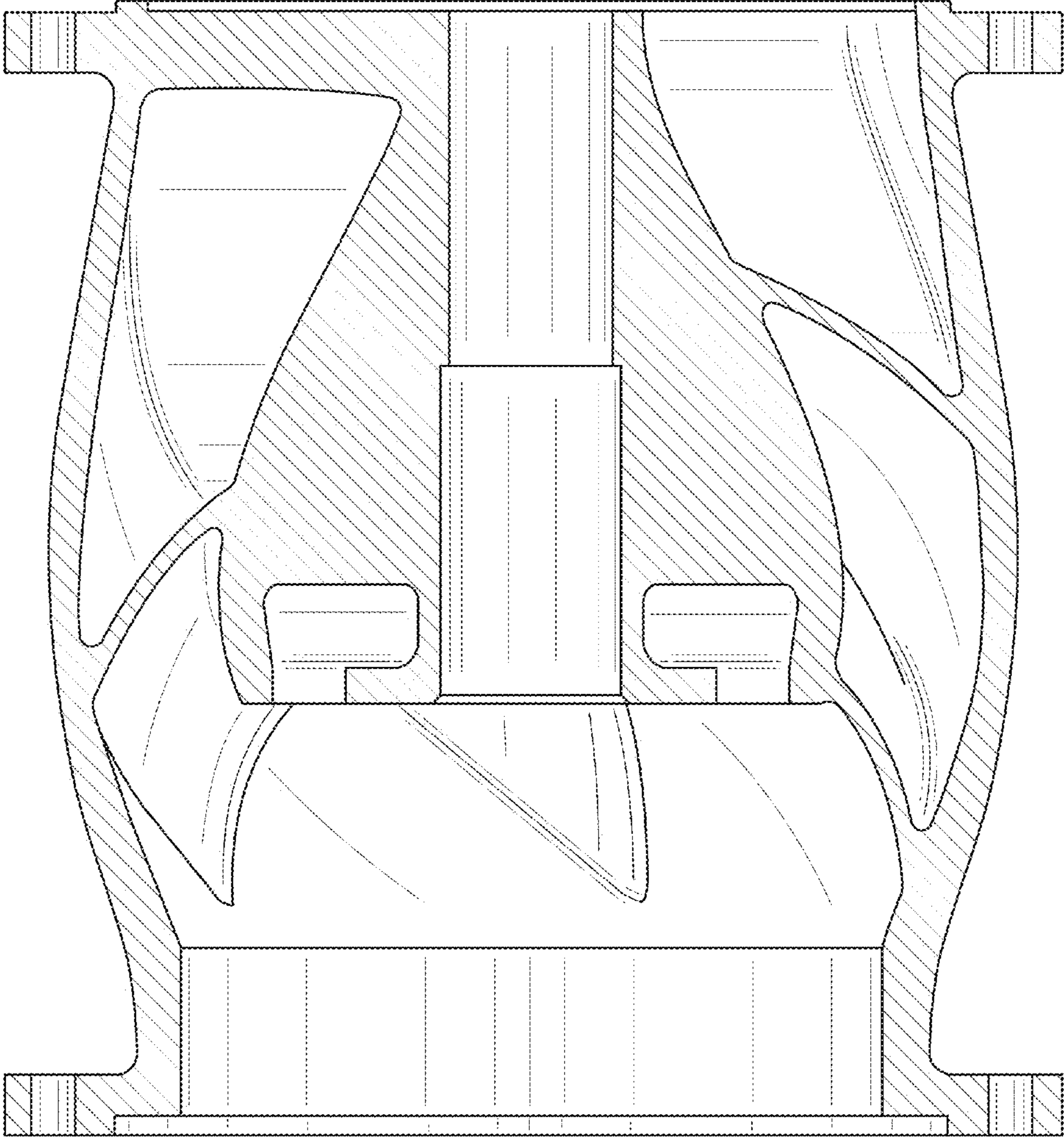


FIG. 7

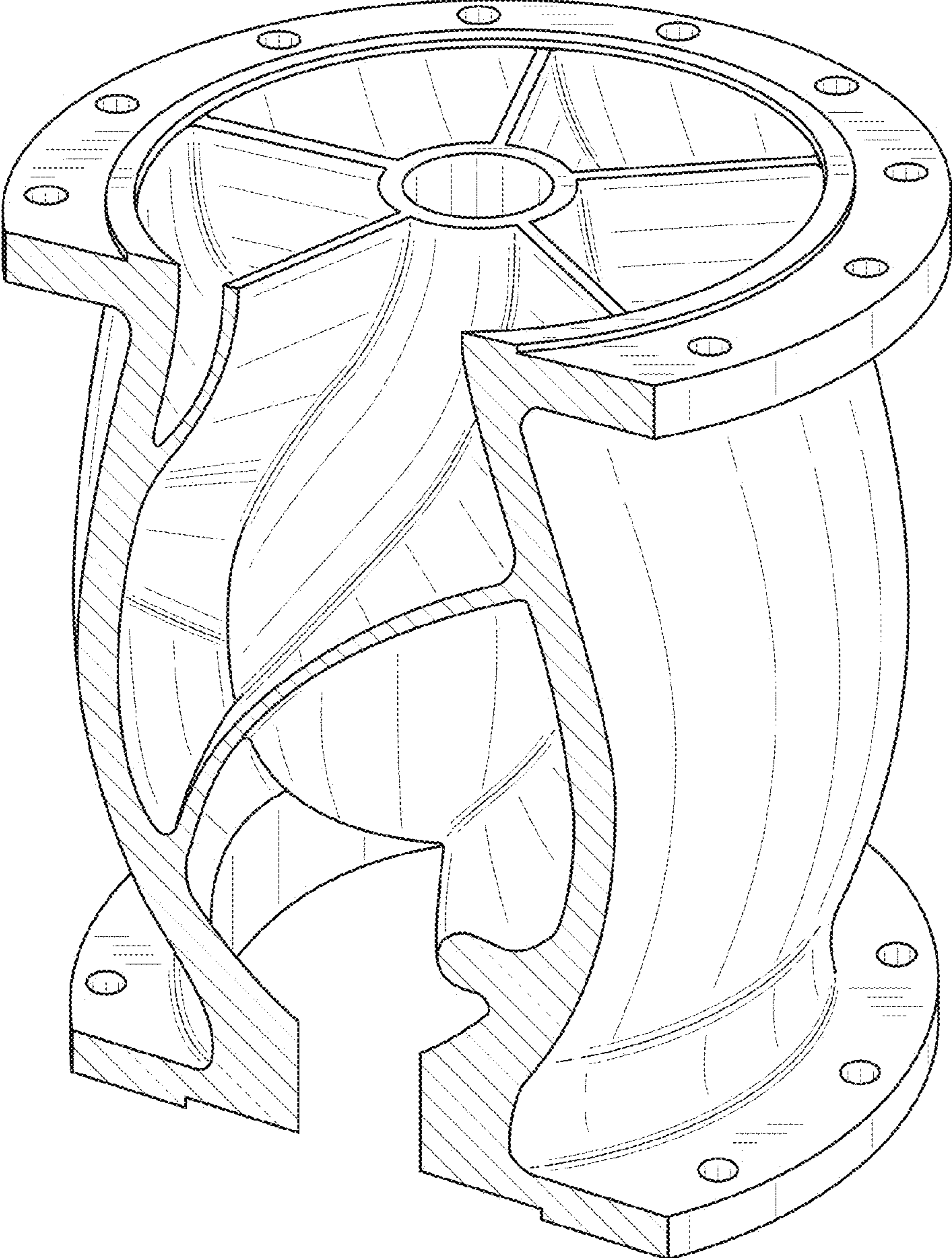


FIG. 8

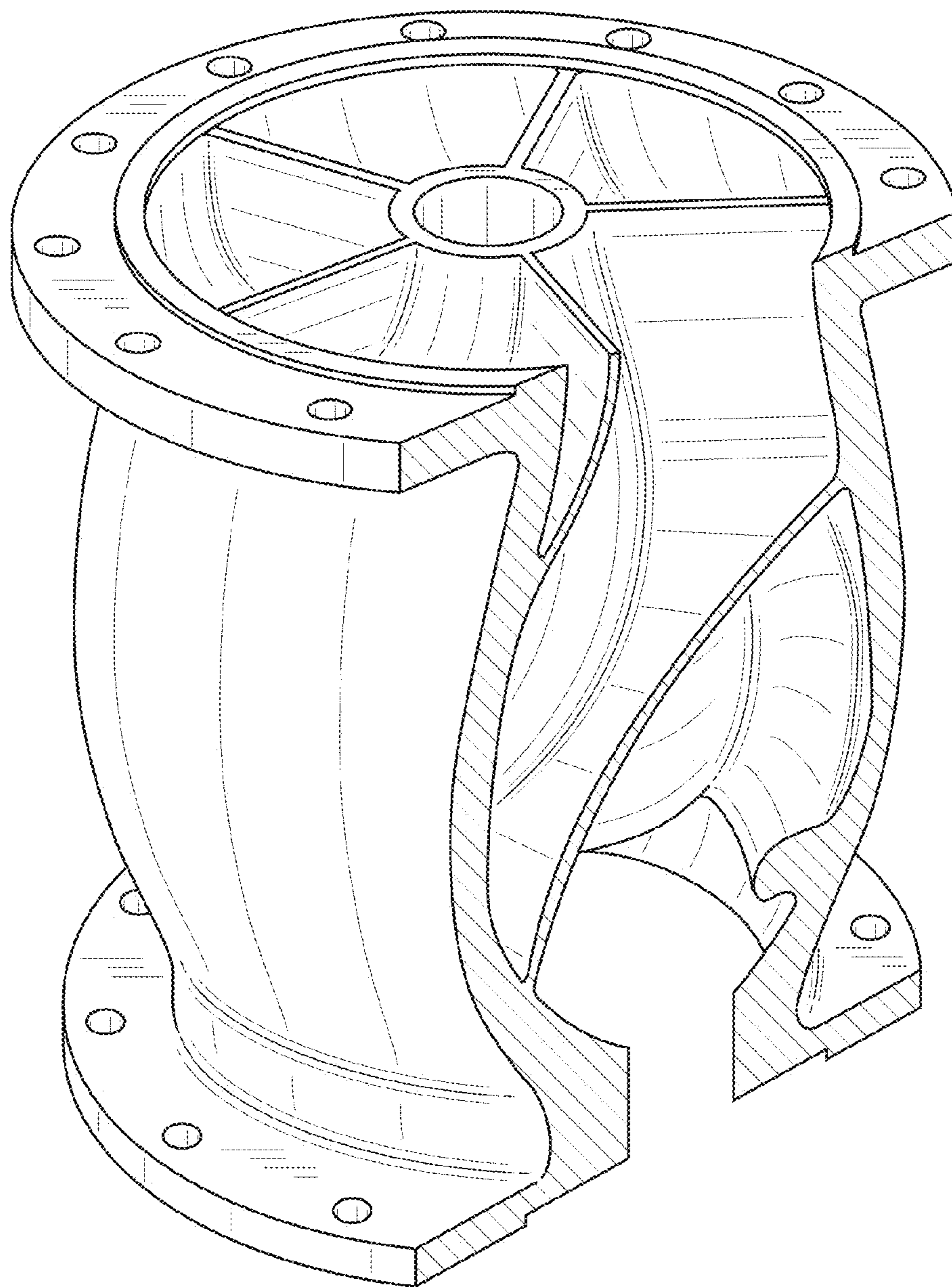


FIG. 9

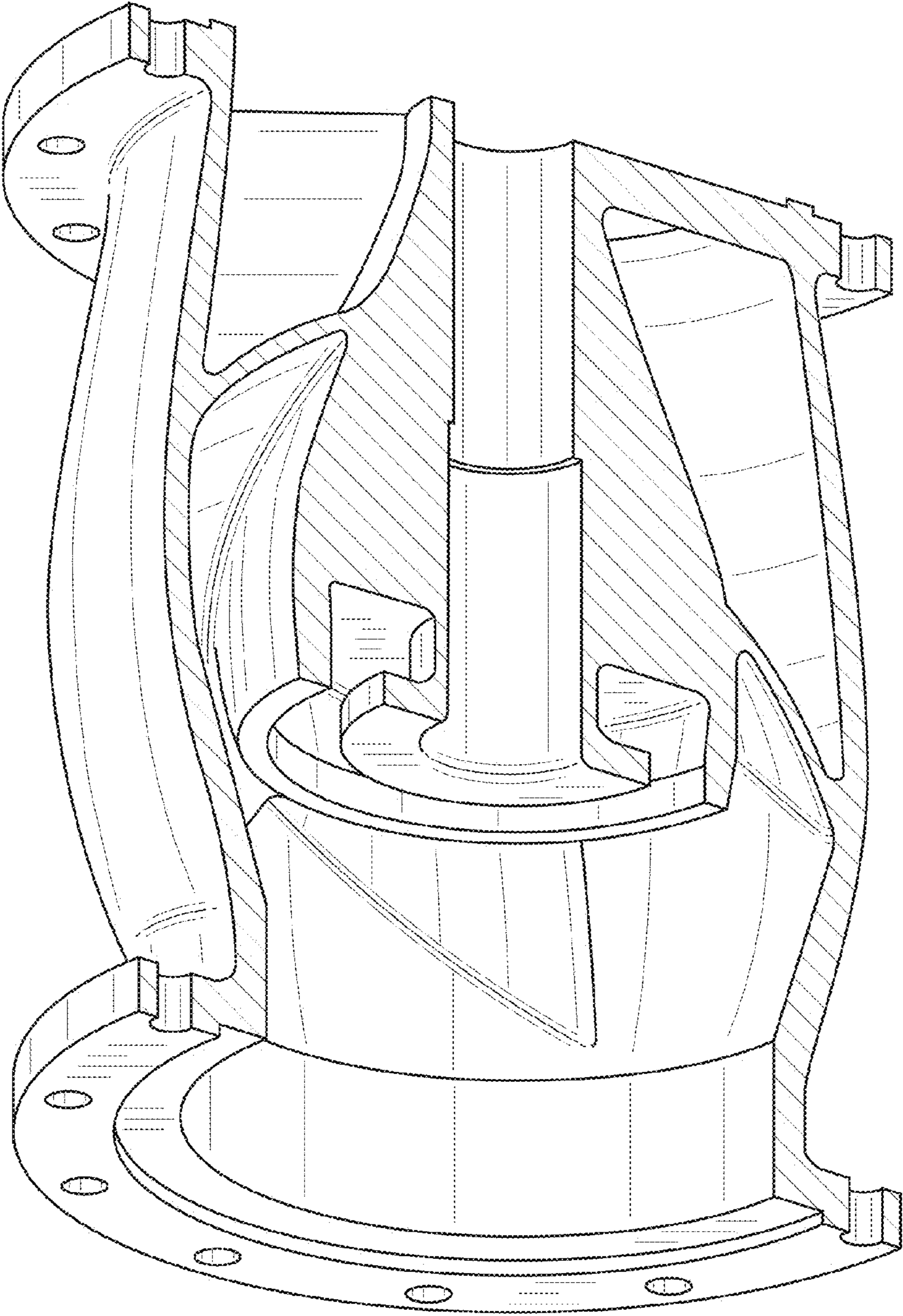


FIG. 10

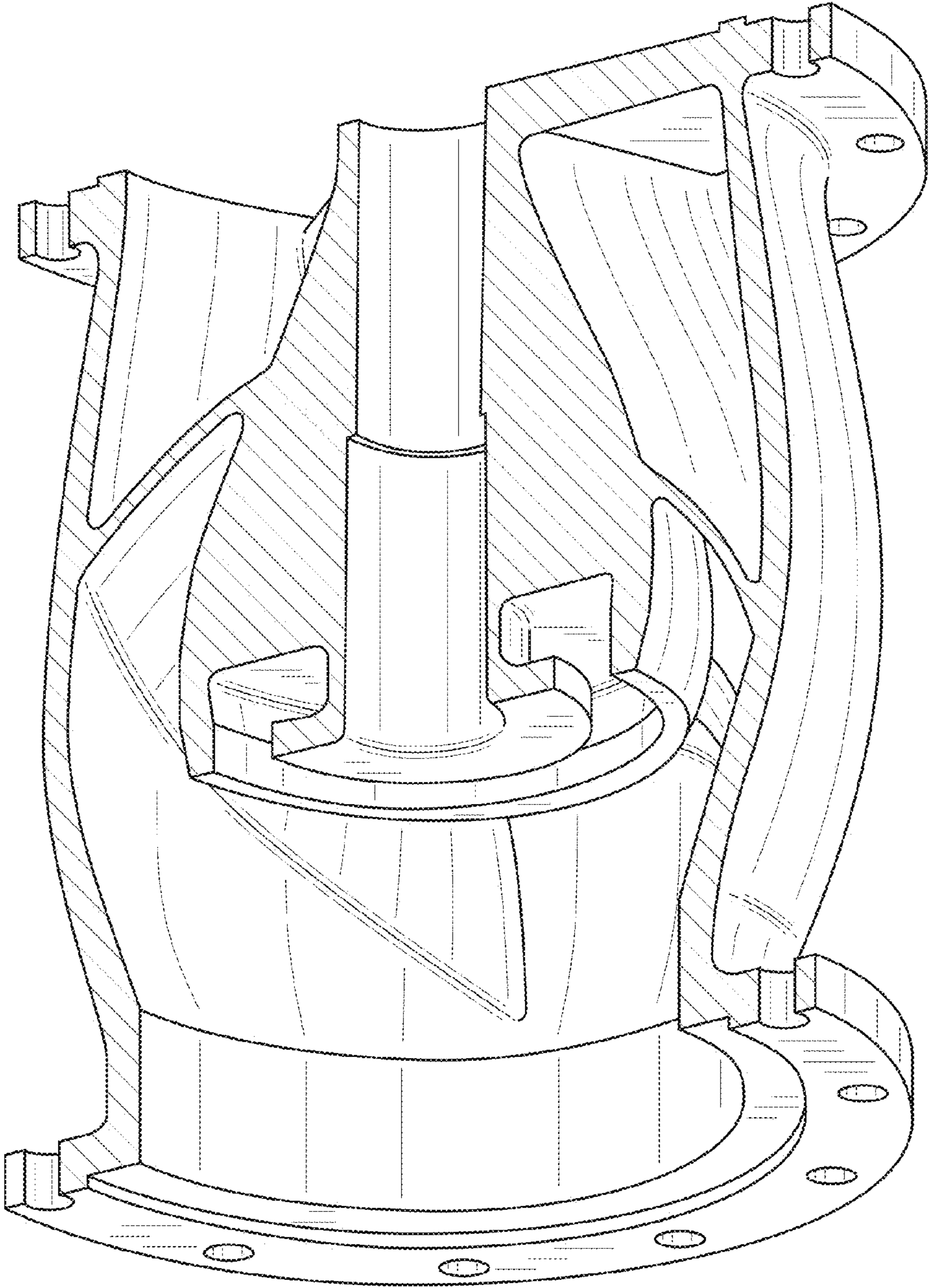


FIG. 11

UNITED STATES PATENT AND TRADEMARK OFFICE
CERTIFICATE OF CORRECTION

PATENT NO. : D762,580 S
APPLICATION NO. : 29/520648
DATED : August 2, 2016
INVENTOR(S) : Stephen Wilkins

Page 1 of 1

It is certified that error appears in the above-identified patent and that said Letters Patent is hereby corrected as shown below:

On the Title Page

Under "DESCRIPTION," Lines 22-23, read:

"The dot-dash lines shown in FIG. 5 represents unclaimed subject matter and forms no part of the claimed design."

Should read:

--The dot-dash lines shown in FIG. 5 represent unclaimed subject matter and form no part of the claimed design.--.

Signed and Sealed this
Twenty-first Day of February, 2017



Michelle K. Lee
Director of the United States Patent and Trademark Office