

US00D762579S

(12) **United States Design Patent**  
**Wilkins**

(10) **Patent No.:** **US D762,579 S**

(45) **Date of Patent:** **\*\* Aug. 2, 2016**

(54) **STATOR**

(71) Applicant: **Stephen Wilkins**, Floyds Knobs, IN  
(US)

(72) Inventor: **Stephen Wilkins**, Floyds Knobs, IN  
(US)

(73) Assignee: **WILKINS IP, LLC**, New Albany, IN  
(US)

(\*\*) Term: **14 Years**

(21) Appl. No.: **29/520,645**

(22) Filed: **Mar. 17, 2015**

(51) **LOC (10) Cl.** ..... **13-01**

(52) **U.S. Cl.**  
USPC ..... **D13/122**

(58) **Field of Classification Search**  
USPC ..... D13/122, 112, 113, 114, 199; D15/3, 5,  
D15/199; 74/606 R, 609; 310/10, 40 R, 42,  
310/51, 58, 71, 80, 83, 85, 89, 91, 109, 236,  
310/239, 254; 318/245, 255  
CPC ..... H02K 5/04; H02K 5/10; H02K 5/22;  
H02K 5/148; H02K 29/14; H02P 6/06;  
F28F 1/20

See application file for complete search history.

(56) **References Cited**

**U.S. PATENT DOCUMENTS**

5,829,422 A \* 11/1998 Deeds ..... F02P 1/083  
123/599  
D443,585 S \* 6/2001 Shida ..... D13/122  
D458,222 S \* 6/2002 Asao ..... D13/122  
D469,740 S \* 2/2003 Oohashi ..... D13/118  
6,724,120 B1 \* 4/2004 Horng ..... H02K 1/146  
310/216.074  
D588,537 S \* 3/2009 Allen ..... D13/122

D603,793 S \* 11/2009 Lindberg ..... D13/112  
7,737,596 B2 \* 6/2010 Boucher ..... H02K 29/03  
310/156.73  
D624,497 S \* 9/2010 Ishizuka ..... D13/118

\* cited by examiner

*Primary Examiner* — Derrick Holland

(74) *Attorney, Agent, or Firm* — Finnegan, Henderson,  
Farabow, Garrett & Dunner, LLP

(57) **CLAIM**

The ornamental design for a stator, as shown and described.

**DESCRIPTION**

FIG. 1 is a top front perspective view of a stator showing my new design;

FIG. 2 is a bottom rear perspective view thereof;

FIG. 3 is a front elevation view thereof, with the left side view, the right side view, and the rear elevation view being identical thereto;

FIG. 4 is a bottom plan view thereof;

FIG. 5 is a top plan view thereof;

FIG. 6 is a cross-sectional view of the stator taken along the line 6-6 shown in FIG. 4;

FIG. 7 is a cross-sectional view of the stator taken along the line 7-7 shown in FIG. 4;

FIG. 8 is a perspective cross-sectional view of the stator taken along the line 8-8 shown in FIG. 5;

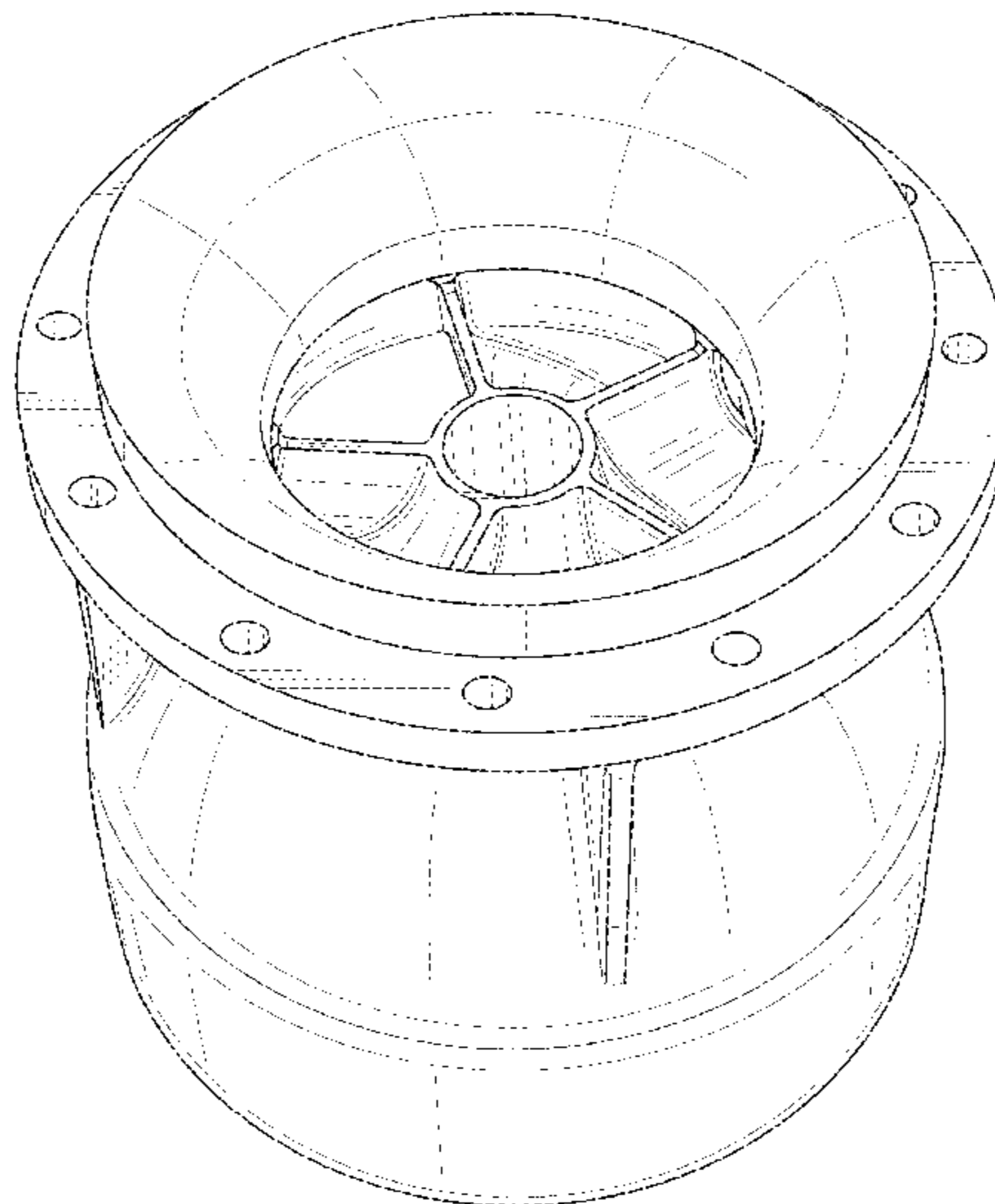
FIG. 9 is a perspective cross-sectional view of the stator taken along the line 9-9 shown in FIG. 5;

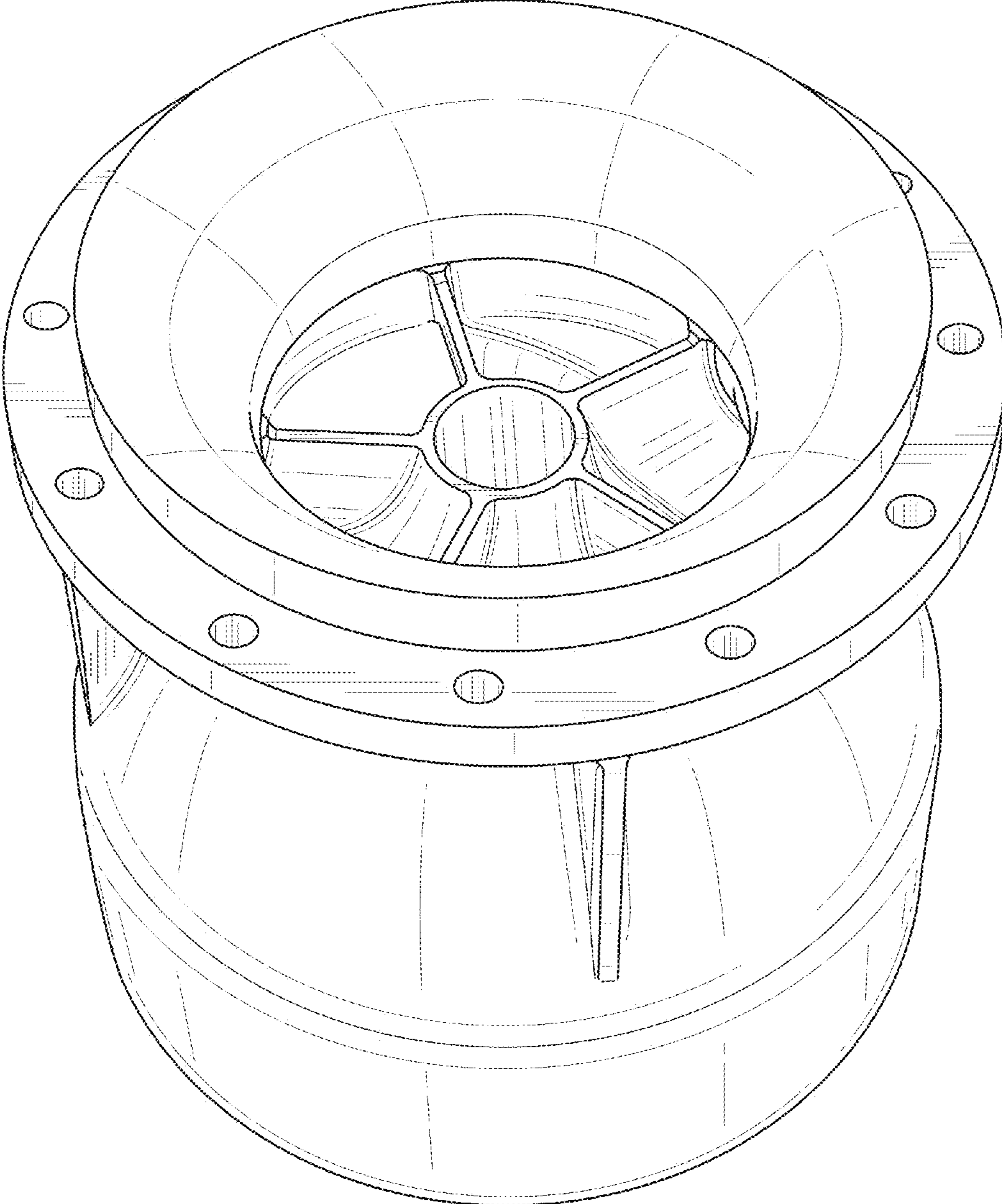
FIG. 10 is a perspective cross-sectional view of the stator taken along the line 10-10 shown in FIG. 4; and,

FIG. 11 is a perspective cross-sectional view of the stator taken along the line 11-11 shown in FIG. 4.

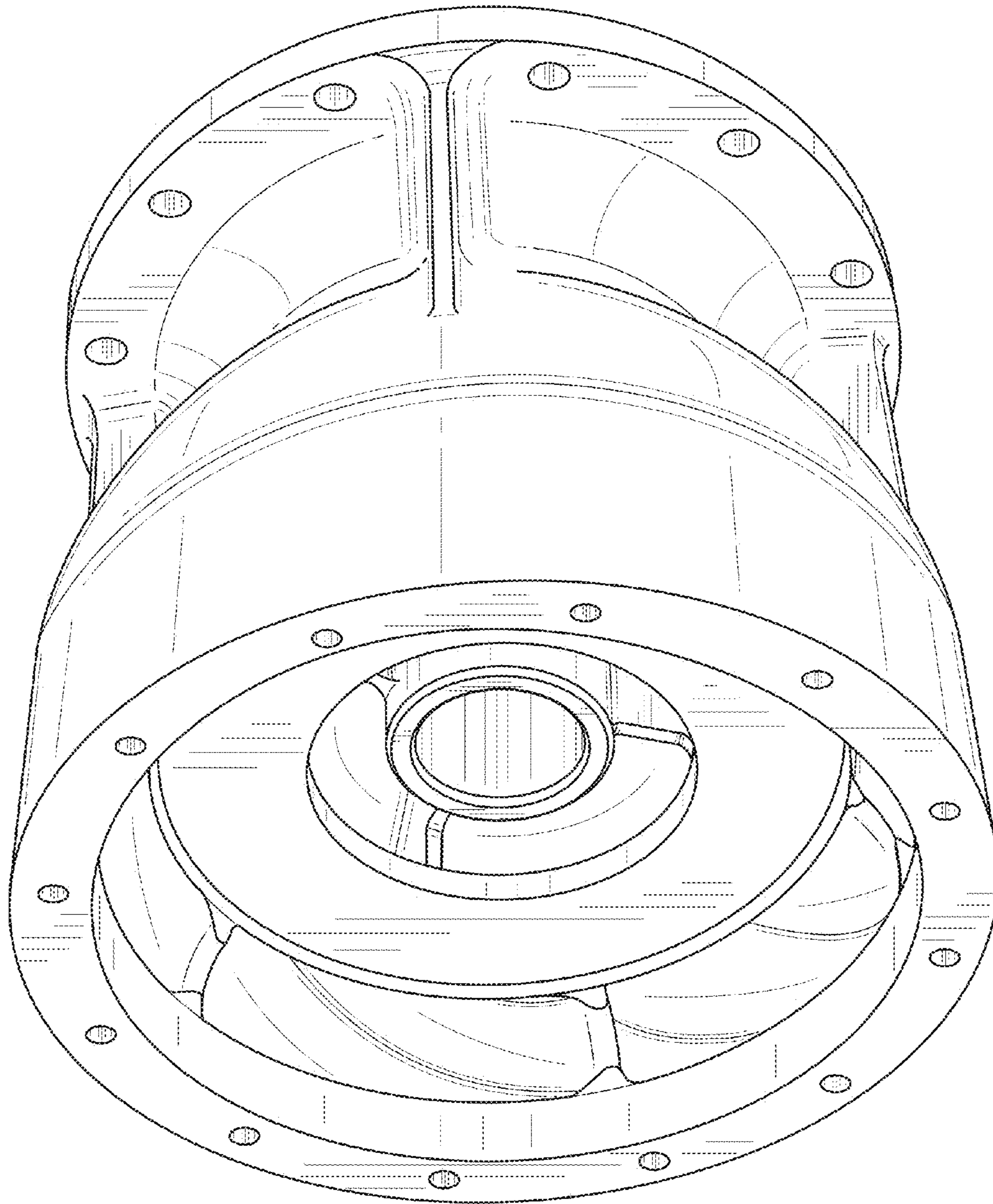
The dot-dash lines shown in FIGS. 4 and 5 represent unclaimed subject matter and form no part of the claimed design.

**1 Claim, 11 Drawing Sheets**

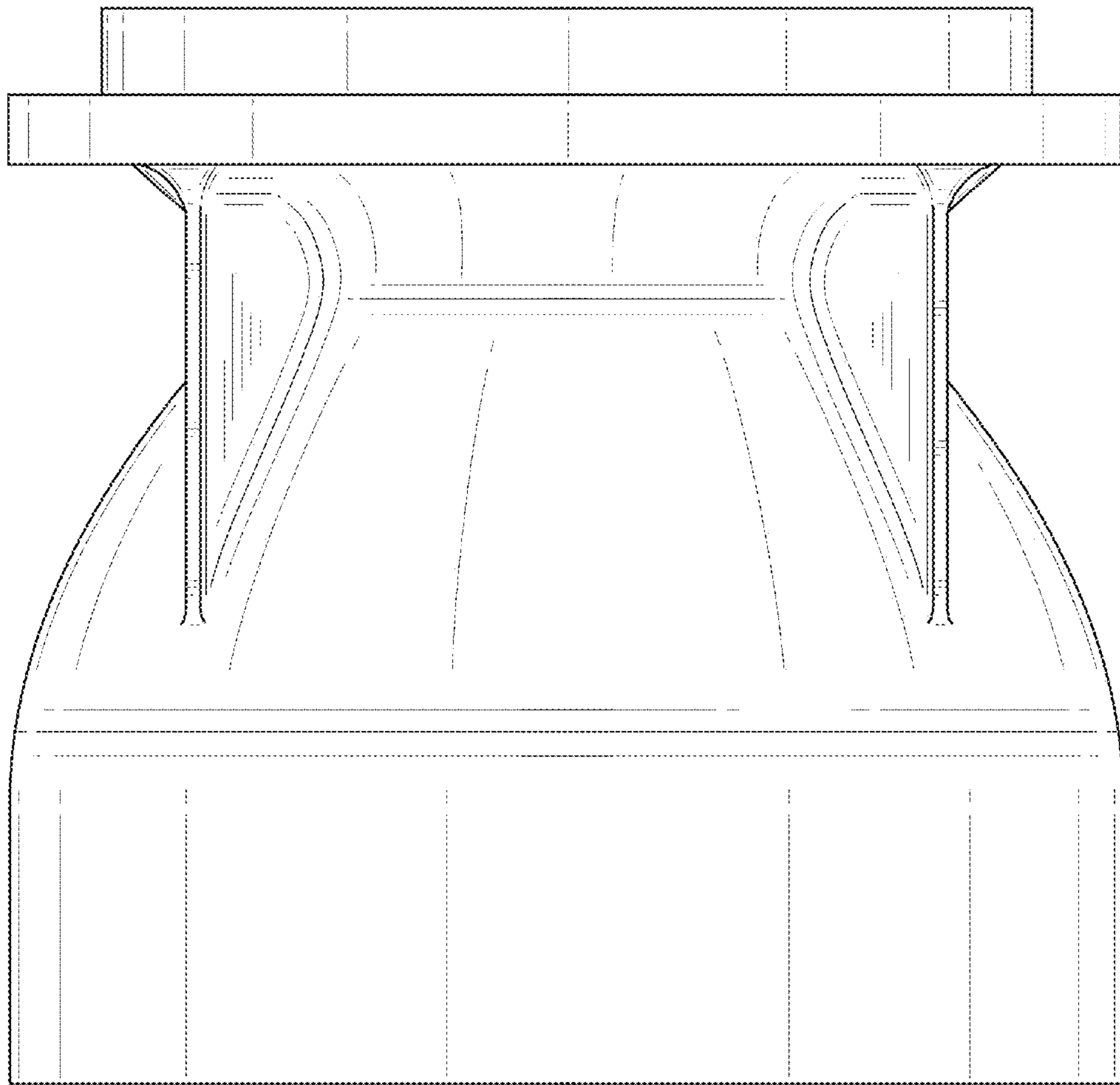




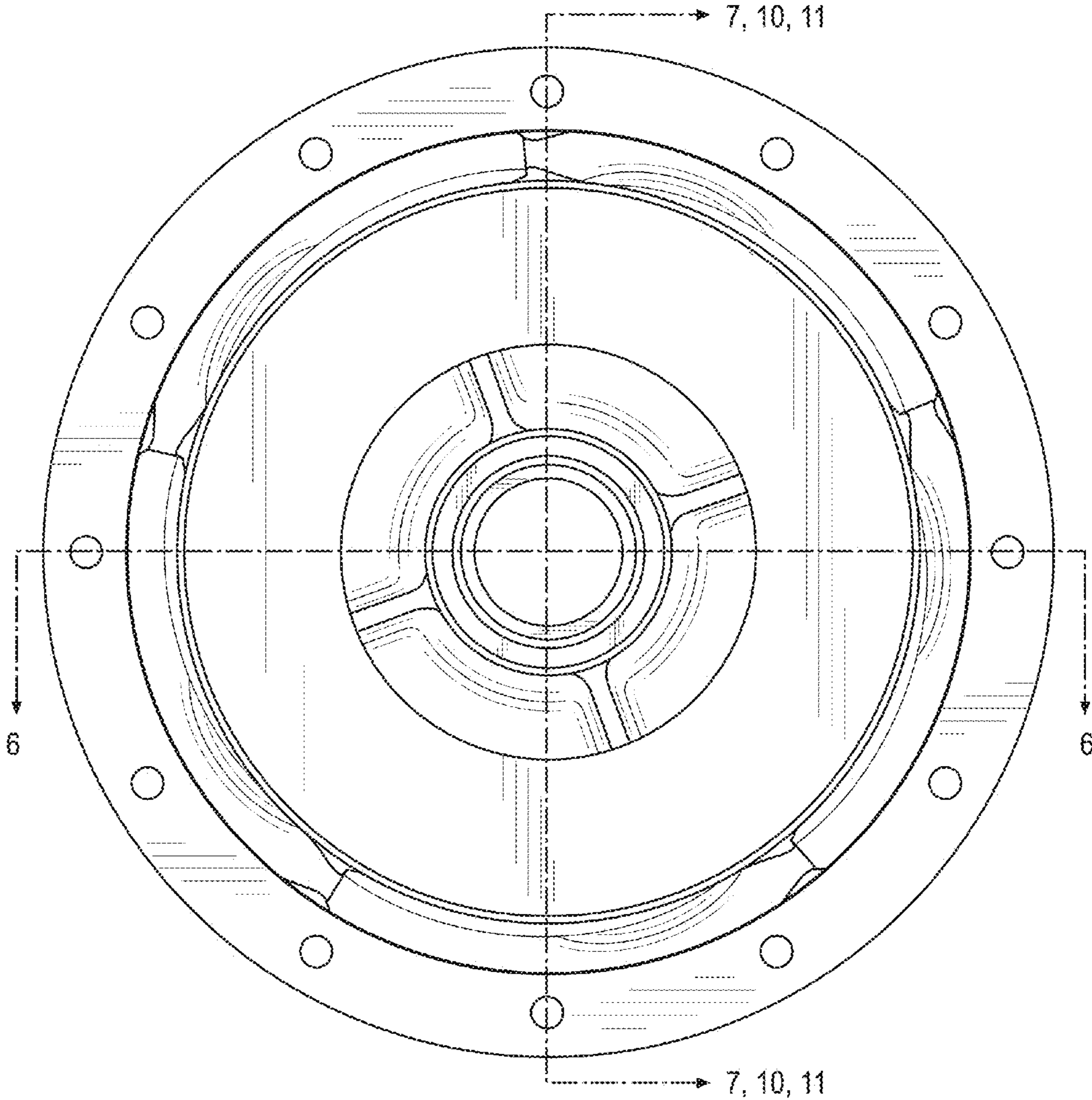
**FIG. 1**



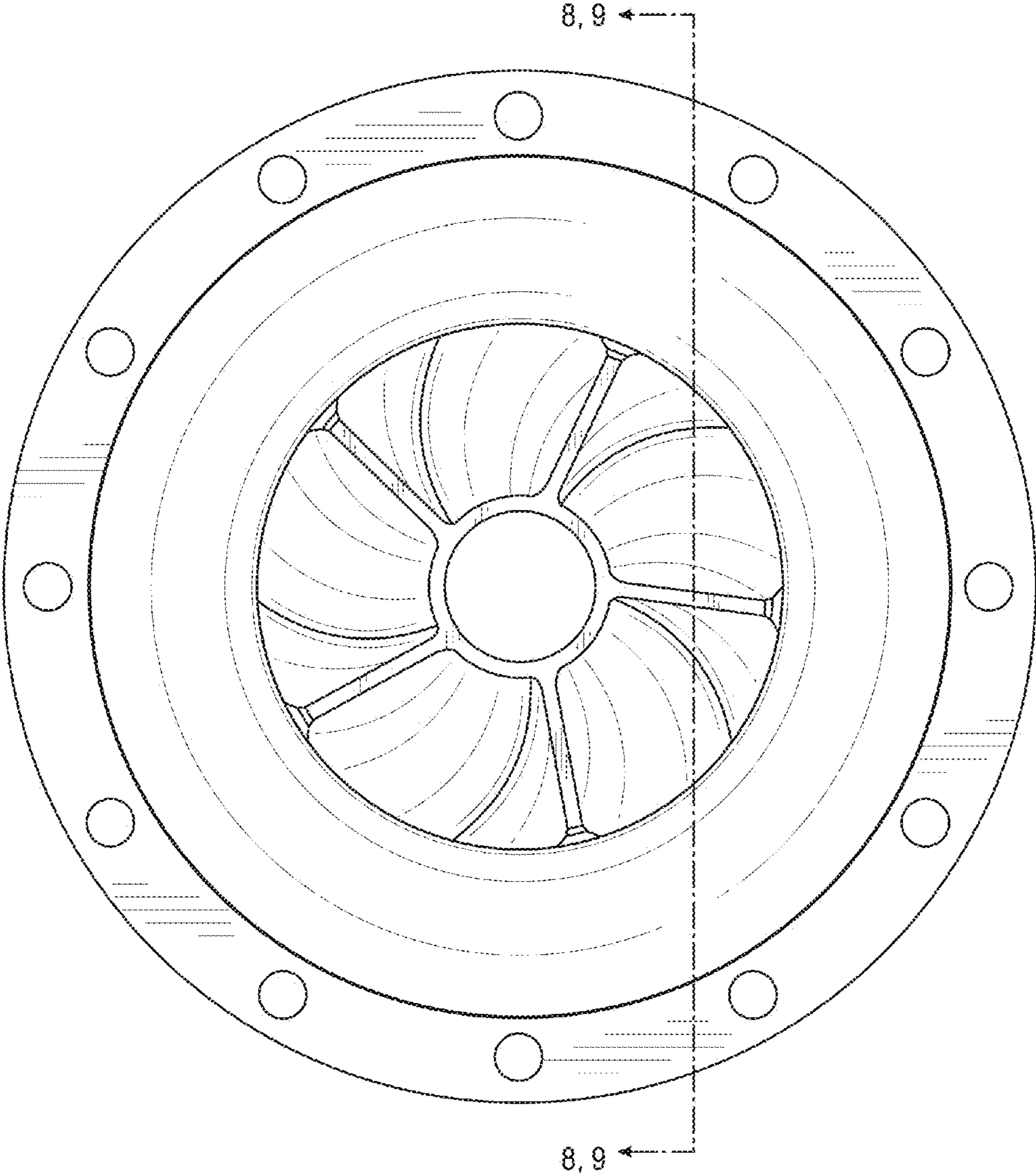
**FIG. 2**



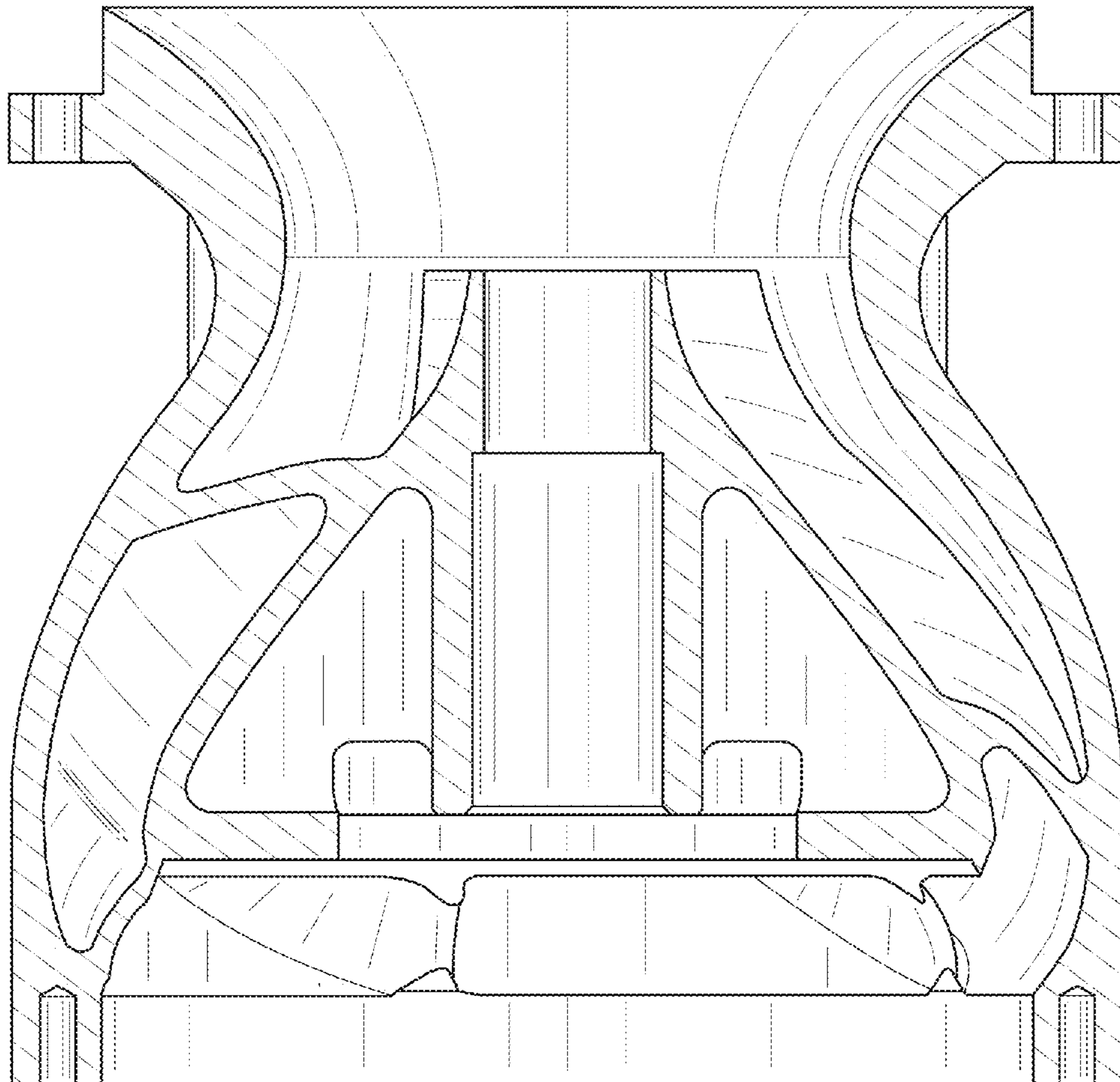
**FIG. 3**



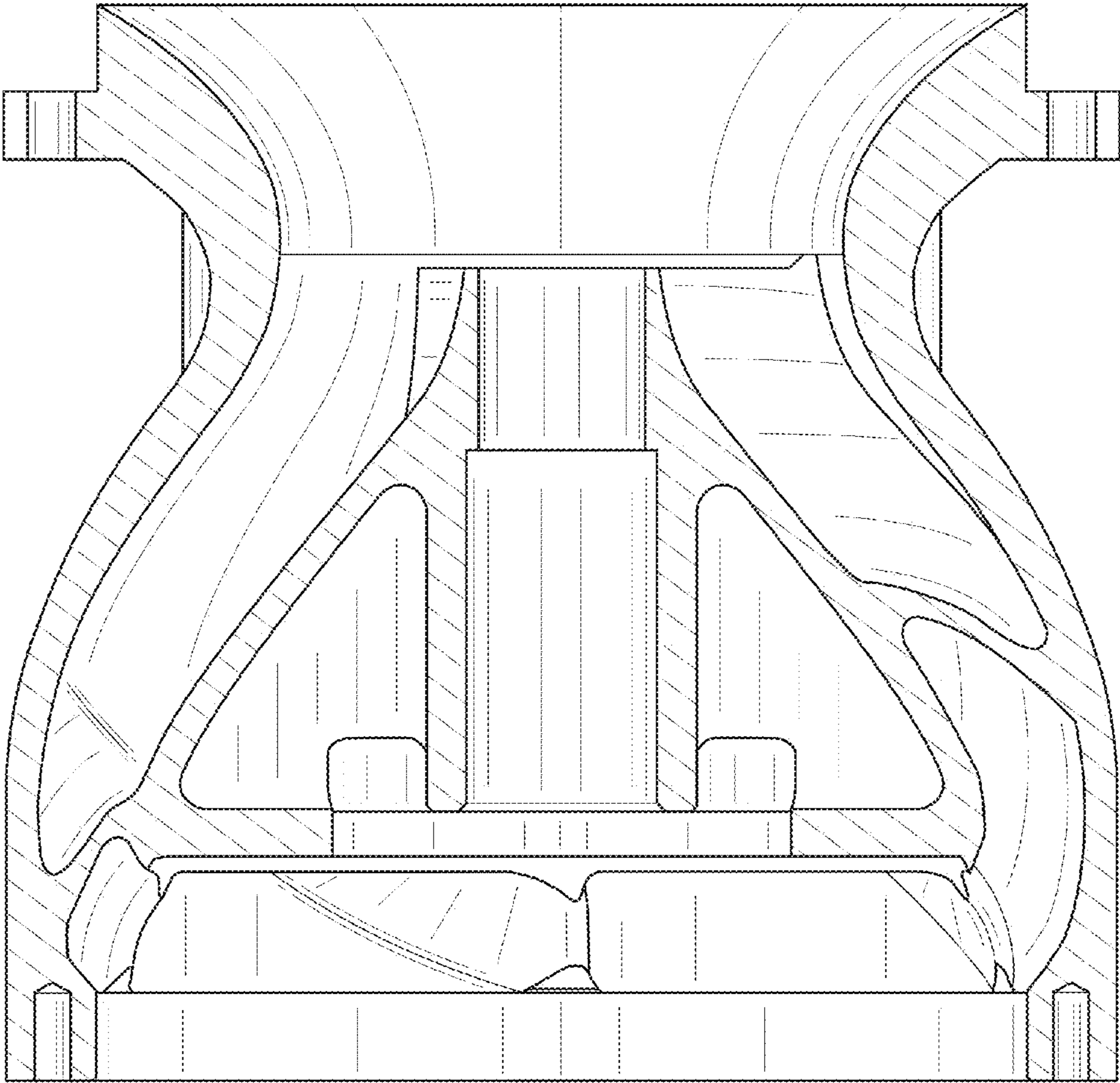
**FIG. 4**



**FIG. 5**

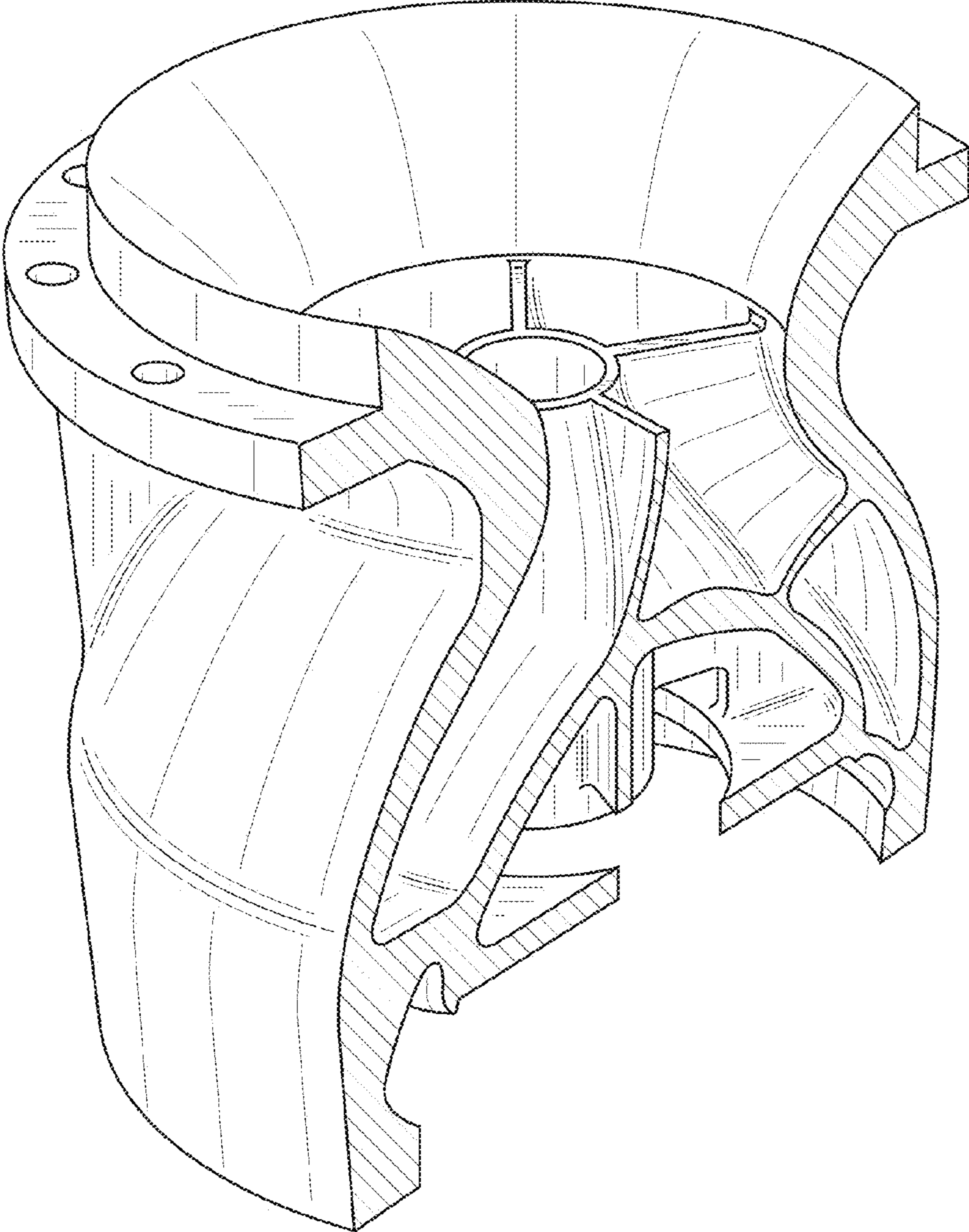


**FIG. 6**

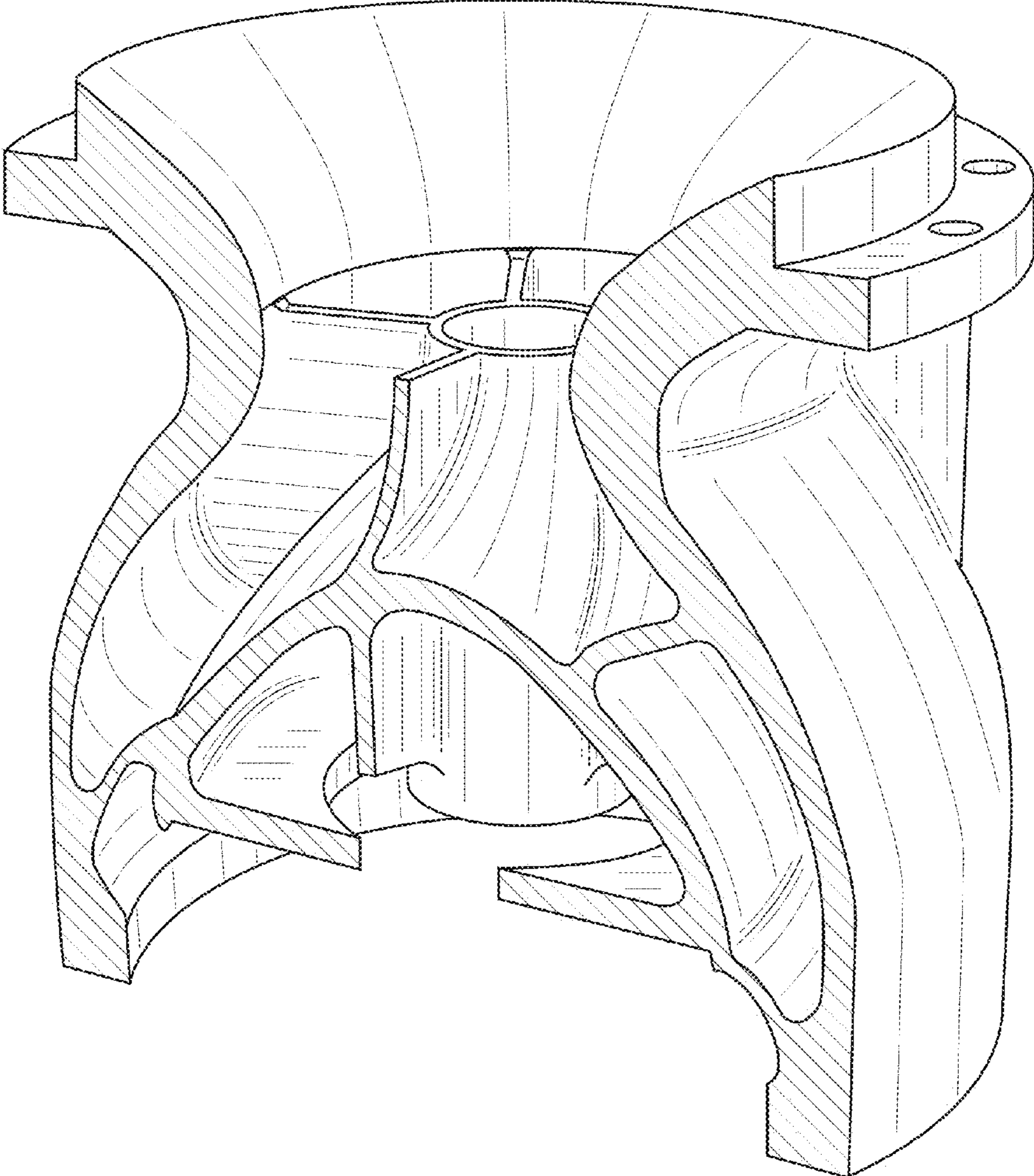


**FIG. 7**

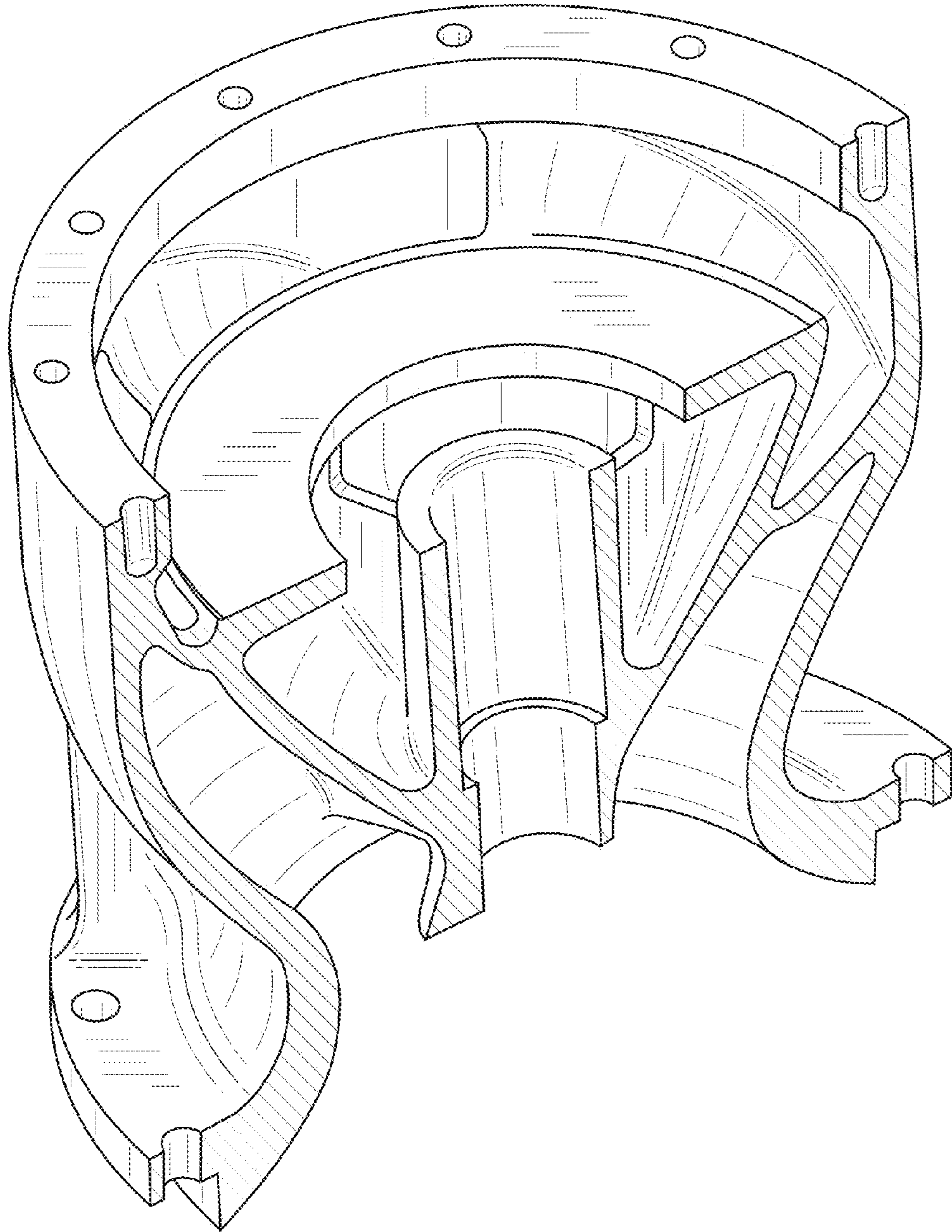




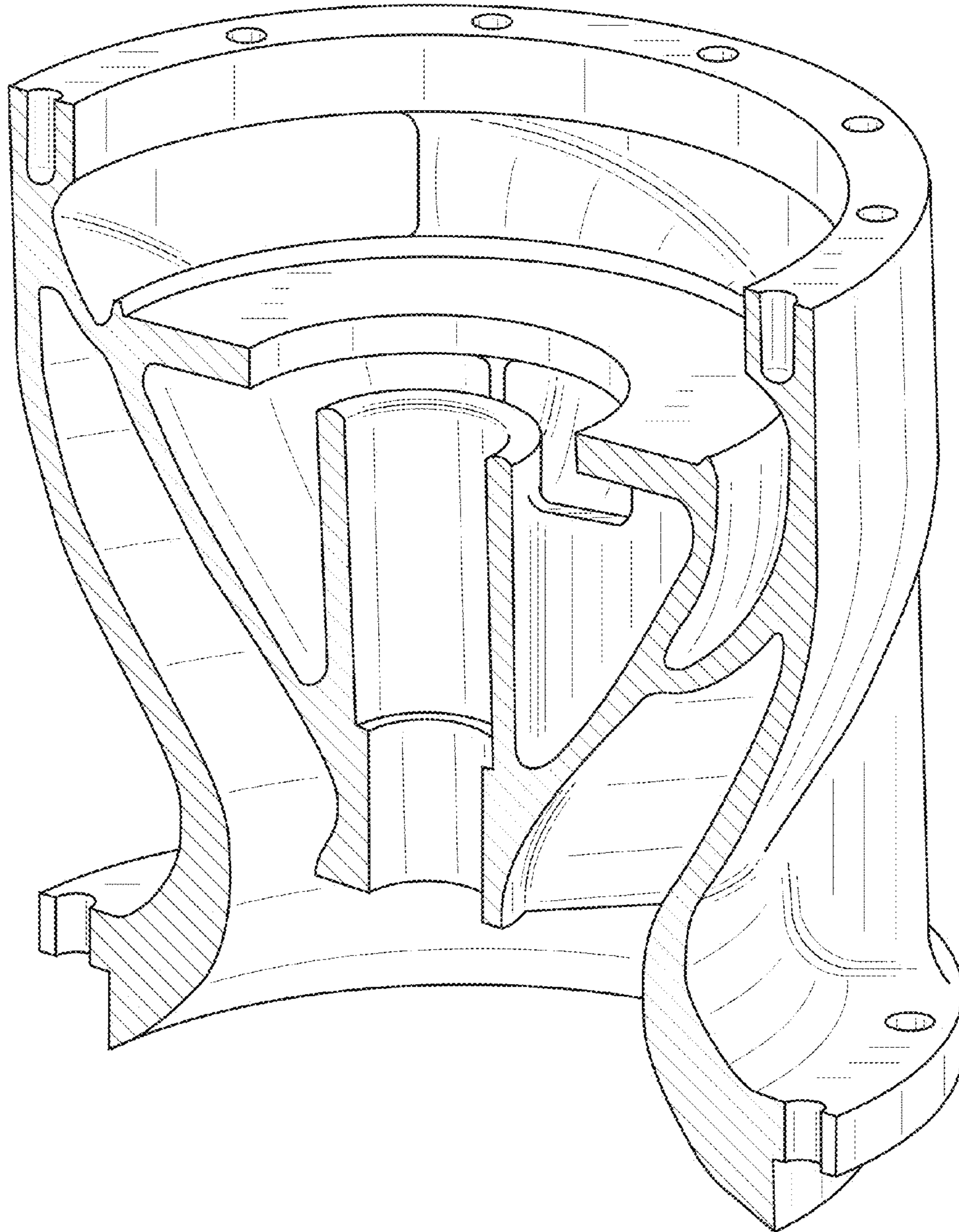
**FIG. 8**



**FIG. 9**



**FIG. 10**



**FIG. 11**