



US00D762578S

(12) **United States Design Patent**
Chen et al.

(10) **Patent No.:** **US D762,578 S**

(45) **Date of Patent:** **** Aug. 2, 2016**

(54) **TERMINAL OF ELECTRICAL BATTERY CONNECTOR**

H01M 2250/30; H01M 2250/40; H02J 7/00;
H02J 7/0003; H02J 7/0011; H02J 7/0013;
H02J 7/0054; H02J 7/0055; H02J 7/0057;
H02J 2007/0062

(71) Applicant: **ADVANCED-CONNECTEK INC.**,
New Taipei (TW)

See application file for complete search history.

(72) Inventors: **Ching-Tien Chen**, New Taipei (TW);
Shu-Lin Duan, New Taipei (TW); **Wei Wan**,
New Taipei (TW); **Ping-Chung Chu**, New Taipei (TW);
Xiao-Juan Qi, New Taipei (TW)

(56) **References Cited**

U.S. PATENT DOCUMENTS

D543,145 S *	5/2007	Wu	D13/133
D556,131 S *	11/2007	Chien	D13/133
D568,248 S *	5/2008	Chen	D13/133
D726,124 S *	4/2015	Chen	D13/154
D742,839 S *	11/2015	Chu	D13/154
D744,958 S *	12/2015	Chen	D13/154
D751,990 S *	3/2016	Ikeda	D13/147
D753,066 S *	4/2016	Sturgess	D13/154

(73) Assignee: **ADVANCED-CONNECTEK INC.**,
New Taipei (TW)

(**) Term: **15 Years**

* cited by examiner

(21) Appl. No.: **29/535,028**

Primary Examiner — Rosemary K Tarcza

Assistant Examiner — Christy Nemeth

(22) Filed: **Aug. 3, 2015**

(74) *Attorney, Agent, or Firm* — Muncy, Geissler, Olds & Lowe, P.C.

(30) **Foreign Application Priority Data**

Feb. 3, 2015 (TW) 104300545

(51) **LOC (10) Cl.** **13-03**

(52) **U.S. Cl.**
USPC **D13/120**

(58) **Field of Classification Search**
USPC D13/102–110, 118–119, 184, 199, 120,
D13/154, 146, 147, 133; D14/356, 432;
320/103, 111–115, 135, 138, 140
CPC Y02E 60/10; Y02E 60/12; Y02E 60/122;
Y02E 60/124; Y02E 60/50; H01M 2/02;
H01M 2/20; H01M 2/022; H01M 2/0202;
H01M 2/0207; H01M 2/0212; H01M 2/1061;
H01M 2/1022; H01M 2/1055; H01M 2/1066;
H01M 2/105; H01M 2/204; H01M 2/202;
H01M 2/206; H01M 10/4257; H01M 10/0436;
H01M 10/48; H01M 10/44; H01M 10/46;
H01M 10/465; H01M 10/482; H01M 2200/30;

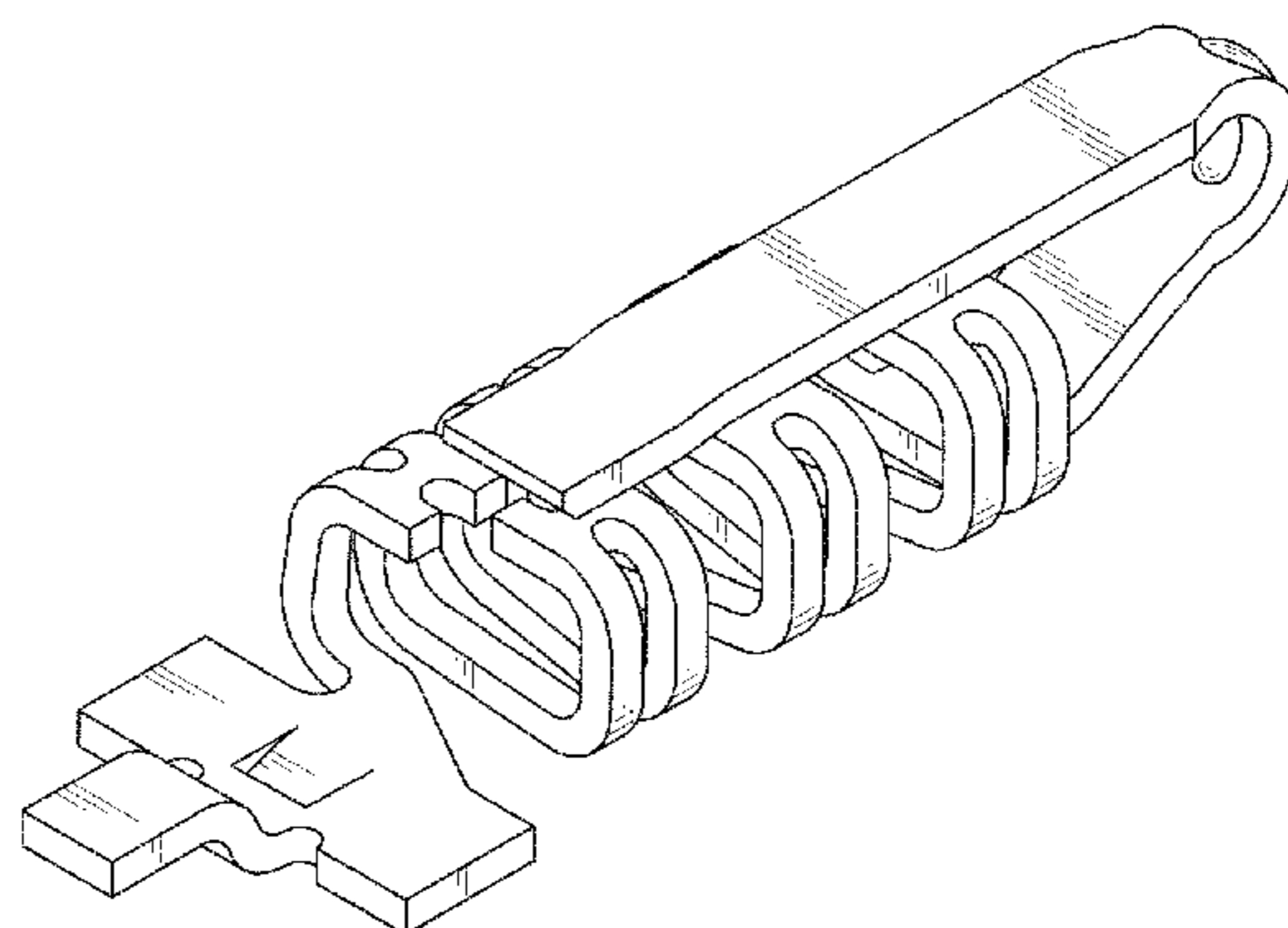
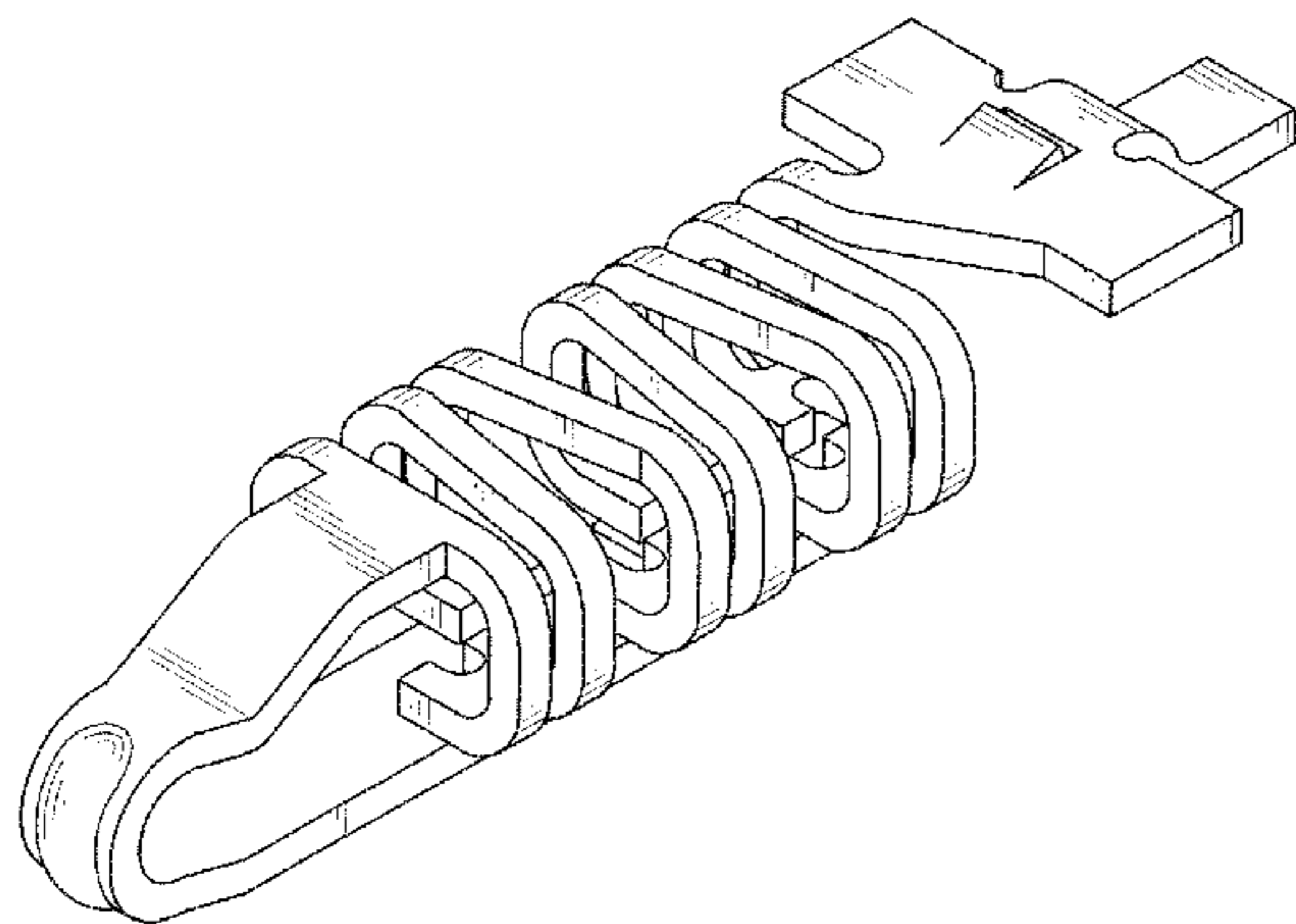
(57) **CLAIM**

The ornamental design for a terminal of electrical battery connector, as shown and described.

DESCRIPTION

FIG. 1 is a top perspective view of a terminal of electrical battery connector showing our new design; FIG. 2 is a front elevational view thereof; FIG. 3 is a rear elevational view thereof; FIG. 4 is a left side elevational view thereof; FIG. 5 is a right side elevational view thereof; FIG. 6 is a top plan view thereof; FIG. 7 is a bottom plan view thereof; and, FIG. 8 is another perspective view thereof.

1 Claim, 8 Drawing Sheets



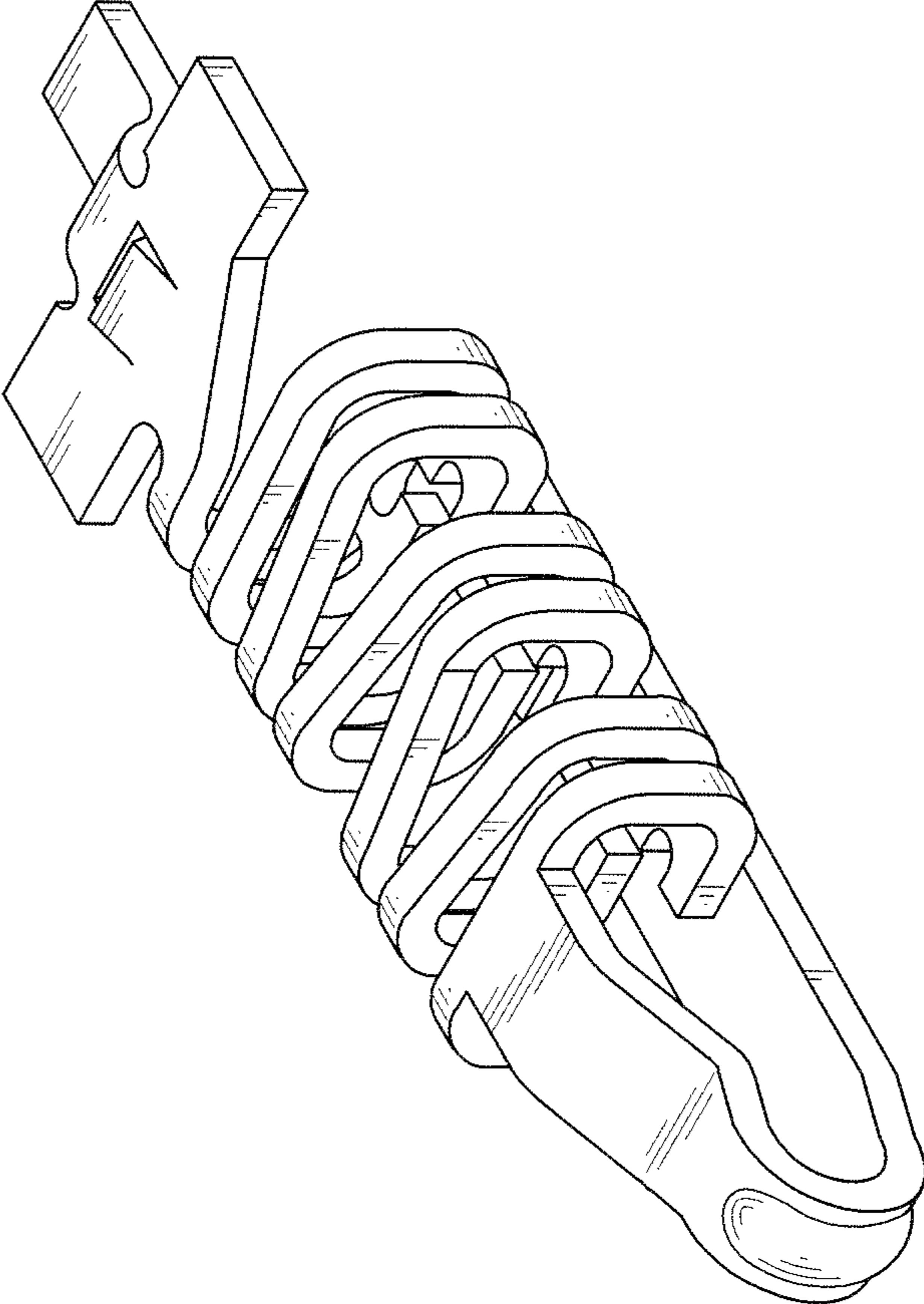


FIG. 1

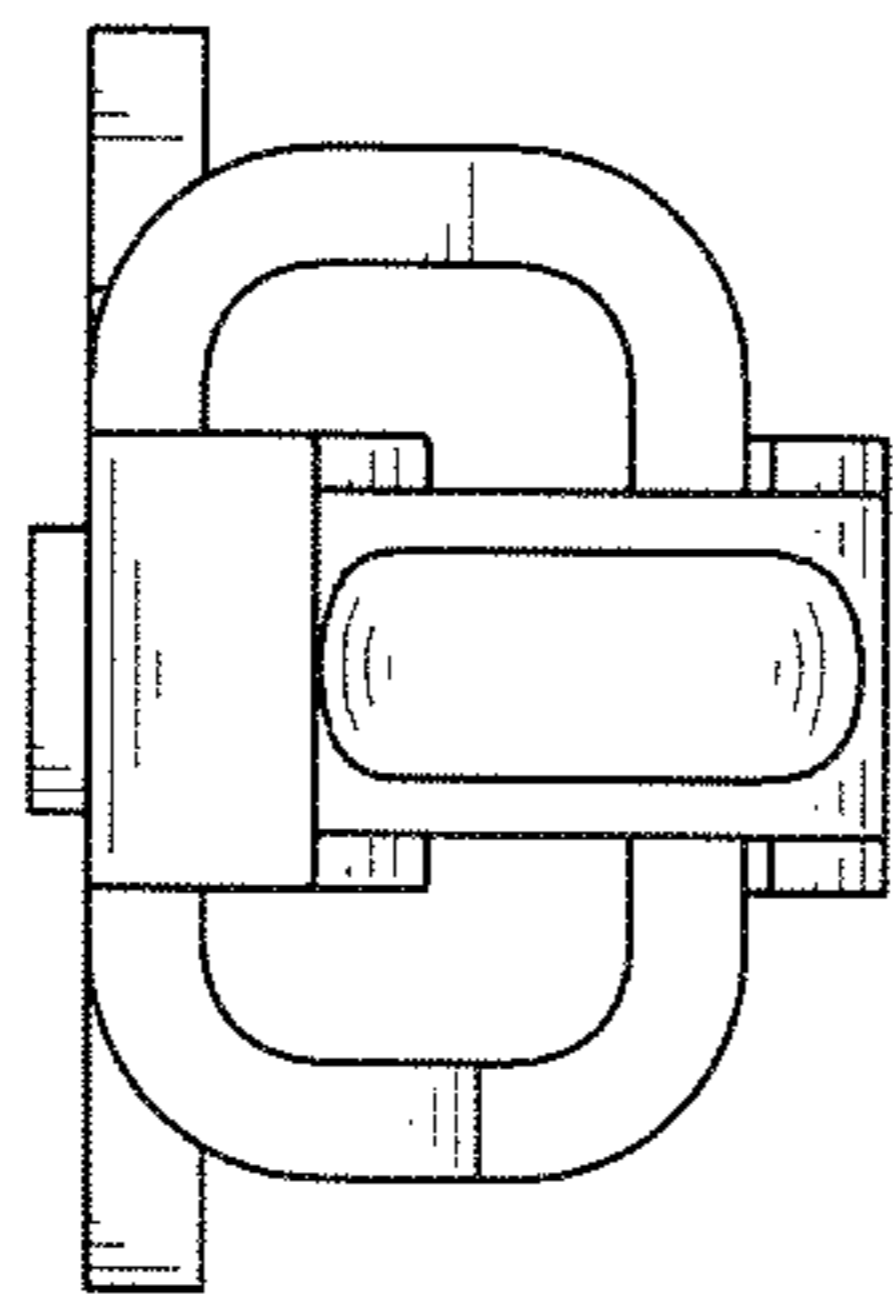


FIG. 2

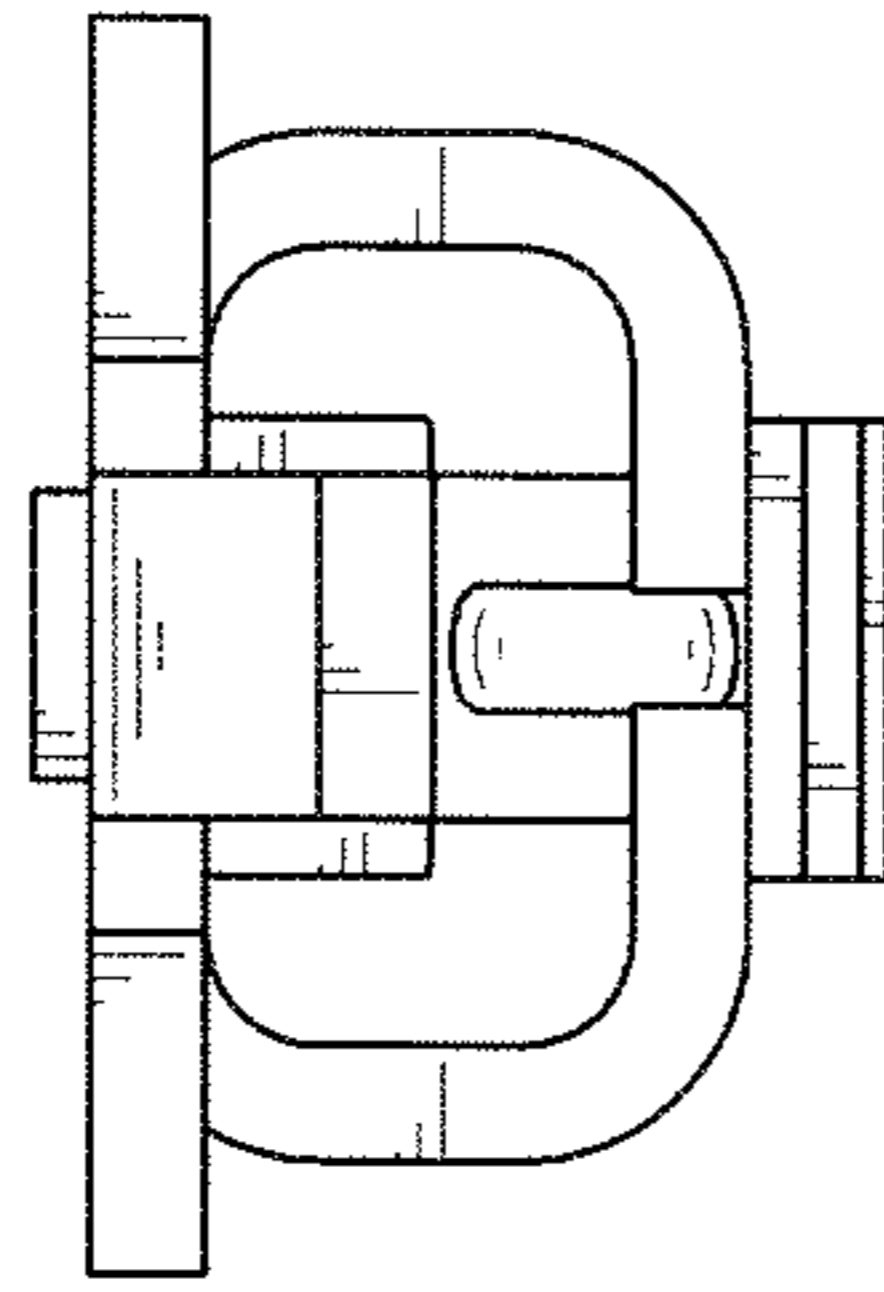


FIG. 3

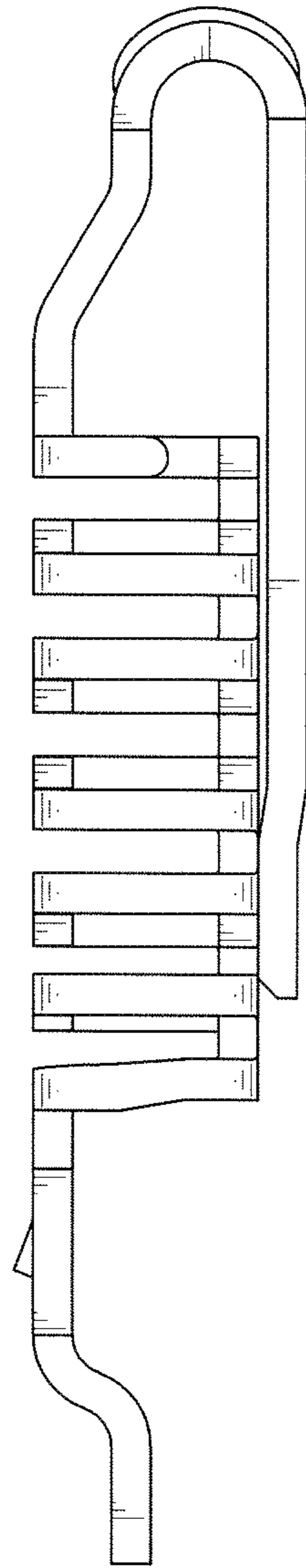


FIG. 4

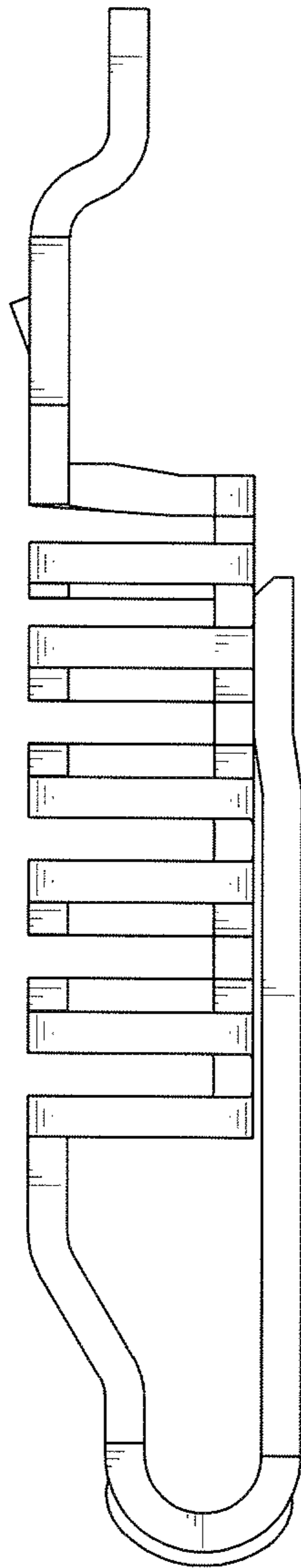


FIG. 5

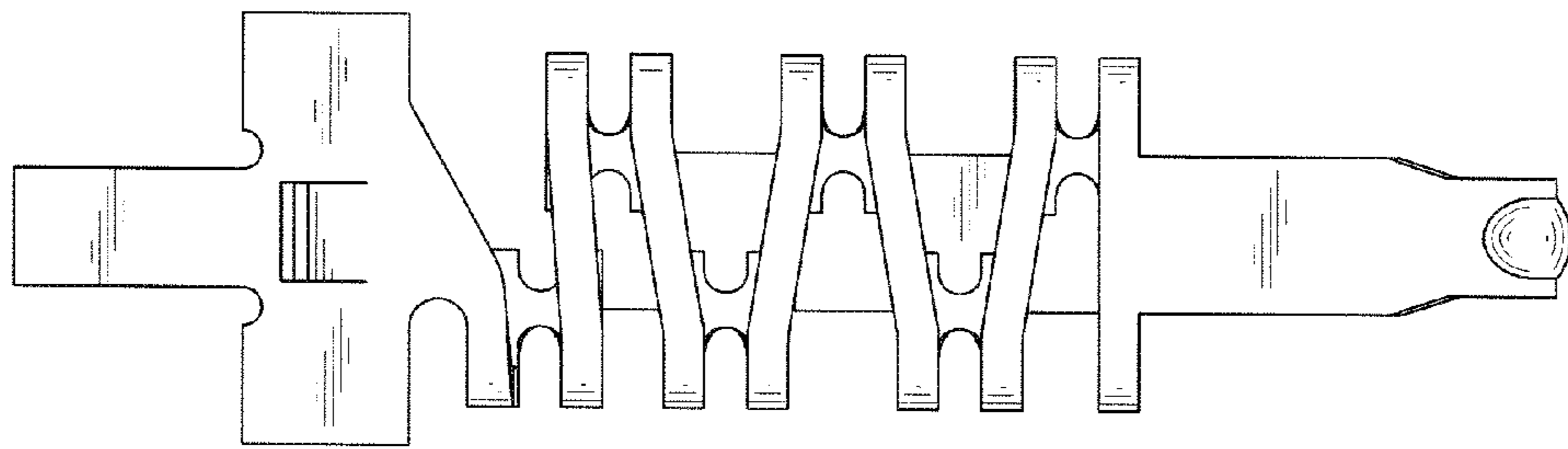


FIG. 6

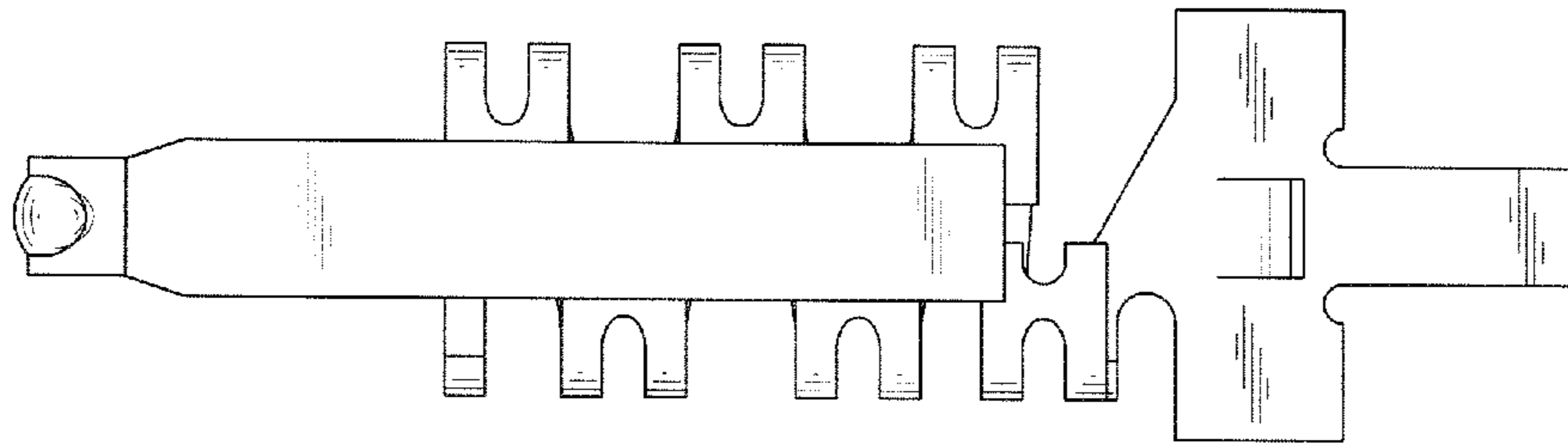


FIG. 7

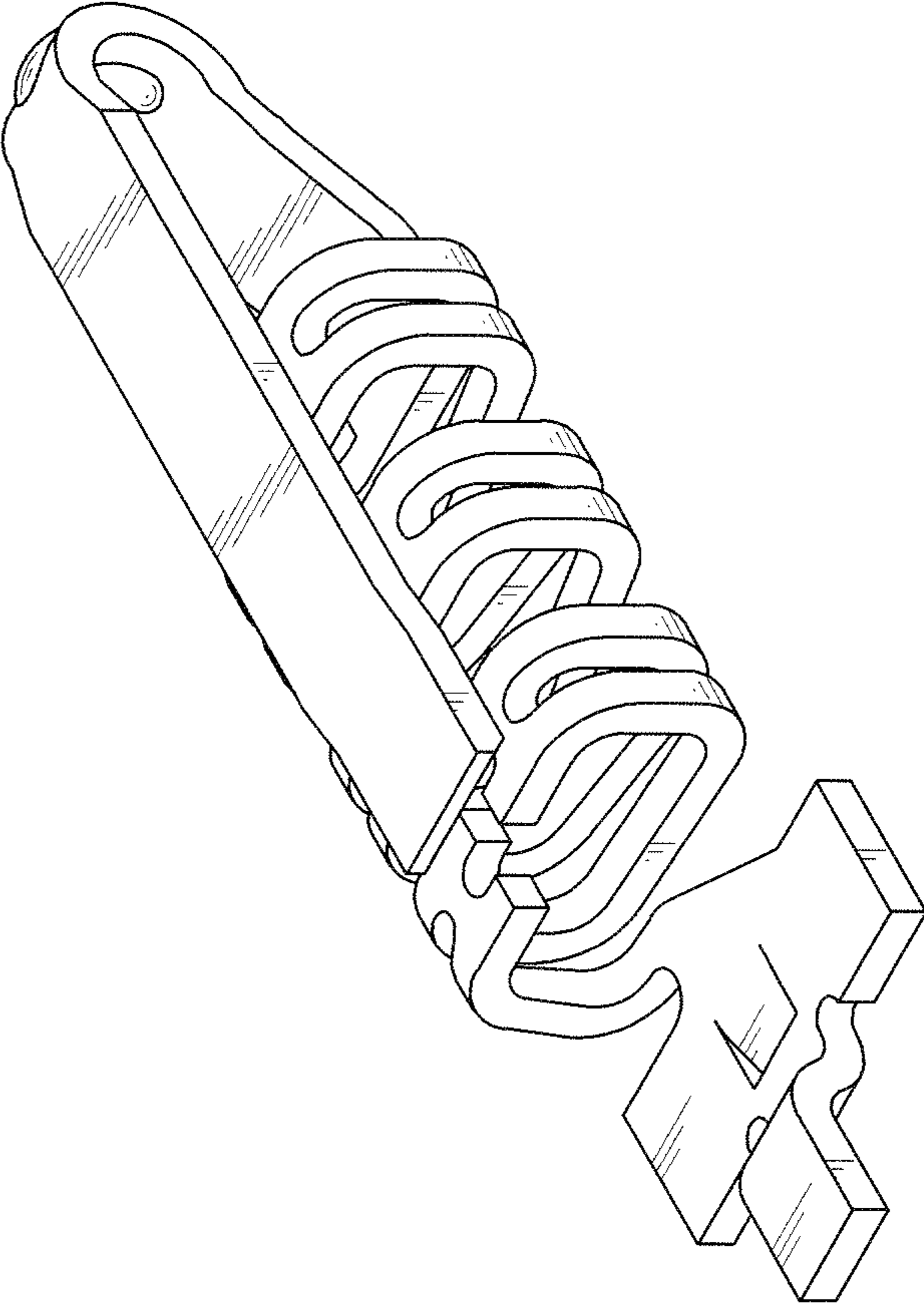


FIG. 8