



US00D762574S

(12) **United States Design Patent**  
**Grillenberger et al.**

(10) **Patent No.:** **US D762,574 S**

(45) **Date of Patent:** **\*\* Aug. 2, 2016**

(54) **ELECTROMOTOR**

(71) Applicant: **Siemens Aktiengesellschaft**, München (DE)  
(72) Inventors: **Reiner Grillenberger**, Windsbach (DE);  
**Eric Joseph**, Offenhausen (DE);  
**Thomas Koch**, Nürnberg (DE)  
(73) Assignee: **SIEMENS AKTIENGESELLSCHAFT**, München (DE)

(\*\*) Term: **14 Years**

(21) Appl. No.: **29/466,897**

(22) Filed: **Sep. 12, 2013**

(30) **Foreign Application Priority Data**

Mar. 12, 2013 (EM) ..... 001363949

(51) **LOC (10) Cl.** ..... **13-01**

(52) **U.S. Cl.**  
USPC ..... **D13/112**

(58) **Field of Classification Search**  
USPC ..... D13/112, 113, 114, 122, 184, 199;  
D15/1, 5, 10, 17, 28; D25/199;  
290/1 A, 1 R, 20; 310/10, 40 R, 51, 58,  
310/85, 89, 91, 236, 239, 254.1  
CPC ..... H02K 11/0005; H02K 5/00; H02K 5/04;  
Y10T 29/49009  
See application file for complete search history.

(56) **References Cited**

**U.S. PATENT DOCUMENTS**

D133,058 S \* 7/1942 Drake ..... D13/112  
D137,172 S \* 2/1944 Bluemink ..... D13/112  
D141,554 S \* 6/1945 Lear ..... D13/112  
D142,273 S \* 8/1945 Heintz ..... D13/112  
D169,489 S \* 5/1953 Horvath et al. .... D13/112  
D178,517 S \* 8/1956 Horvath et al. .... D13/112

D190,584 S \* 6/1961 Hallenbeck et al. .... D13/114  
D191,982 S \* 12/1961 Eisenhart et al. .... D13/114  
D207,401 S \* 4/1967 Andrews et al. .... D13/114  
4,007,388 A \* 2/1977 Lawyer et al. .... 310/51  
D287,715 S \* 1/1987 Pittman et al. .... D13/112  
D294,479 S \* 3/1988 Keane ..... D13/114  
D294,480 S \* 3/1988 Keane ..... D13/114  
D294,481 S \* 3/1988 Keane ..... D13/114  
D294,482 S \* 3/1988 Keane ..... D13/114  
D294,483 S \* 3/1988 Keane ..... D13/114  
D294,484 S \* 3/1988 Keane ..... D13/114  
D336,890 S \* 6/1993 Hirose et al. .... D13/112  
5,998,896 A \* 12/1999 Early et al. .... 310/89  
D425,020 S \* 5/2000 Becker et al. .... D13/114  
6,522,036 B1 \* 2/2003 Chen ..... 310/58  
6,909,211 B2 \* 6/2005 Ciciliani et al. .... 310/58  
D576,941 S \* 9/2008 Evon et al. .... D13/112  
D578,063 S \* 10/2008 Lannoch ..... D13/112  
D667,372 S \* 9/2012 Lannoch ..... D13/112  
D678,194 S \* 3/2013 Lannoch ..... D13/112  
D722,561 S \* 2/2015 Grillenberger et al. .... D13/122  
2001/0005106 A1 \* 6/2001 Bell ..... 310/254

\* cited by examiner

*Primary Examiner* — Derrick Holland

*Assistant Examiner* — Jennifer O King

(74) *Attorney, Agent, or Firm* — Henry M. Feiereisen LLC

(57) **CLAIM**

The ornamental design for an electromotor, as shown and described.

**DESCRIPTION**

FIG. 1 is a front elevational view of an electromotor showing my new design;  
FIG. 2 is a rear elevational view thereof;  
FIG. 3 is a top elevational view thereof;  
FIG. 4 is a bottom elevational view thereof;  
FIG. 5 is a right side elevational view thereof;  
FIG. 6 is a left side elevational view thereof; and,  
FIG. 7 is a front right side perspective view thereof.  
The broken line portion of the figure drawings is included to show unclaimed subject matter only and forms no part of the claimed design.

**1 Claim, 7 Drawing Sheets**

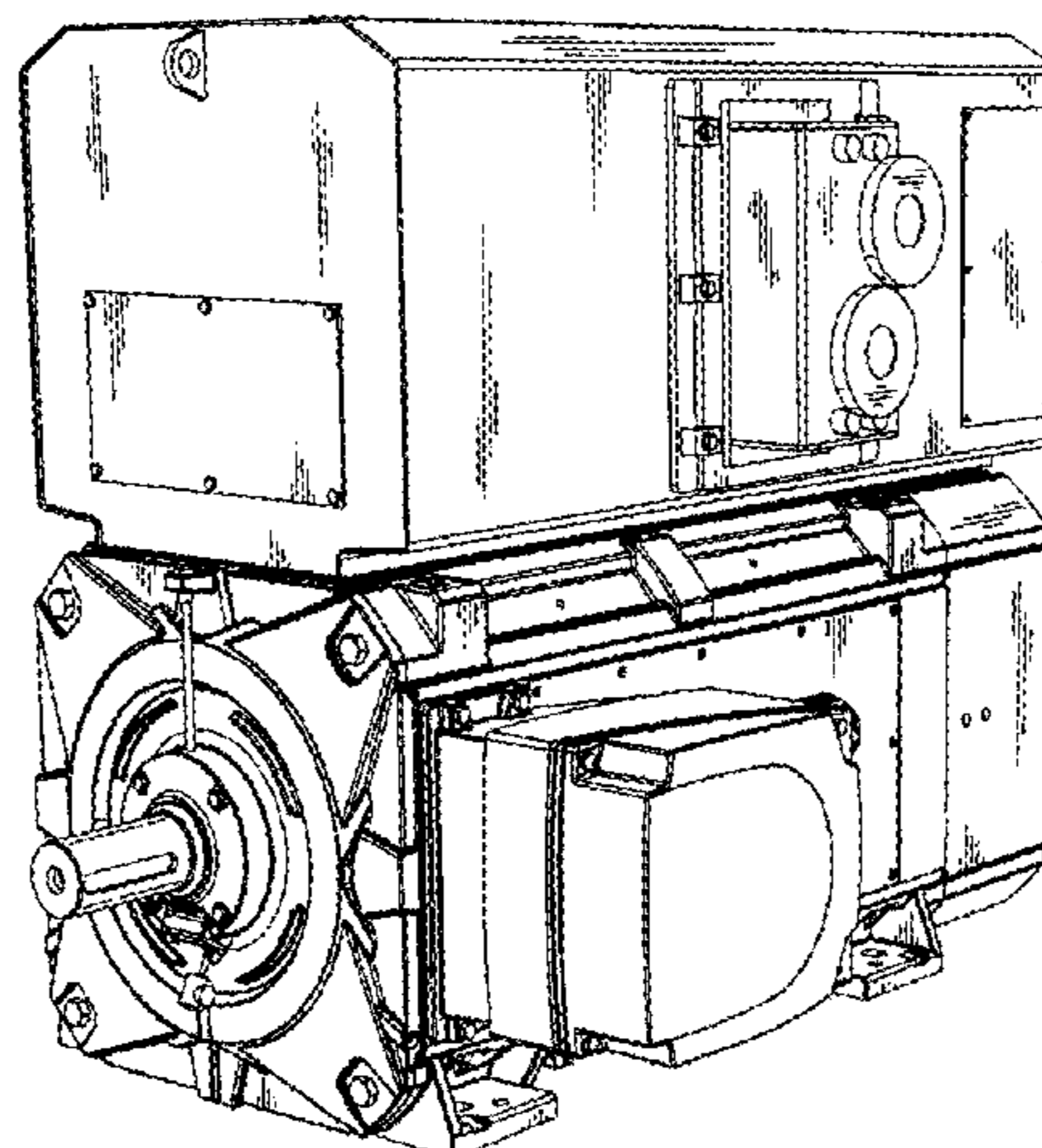


FIG. 1

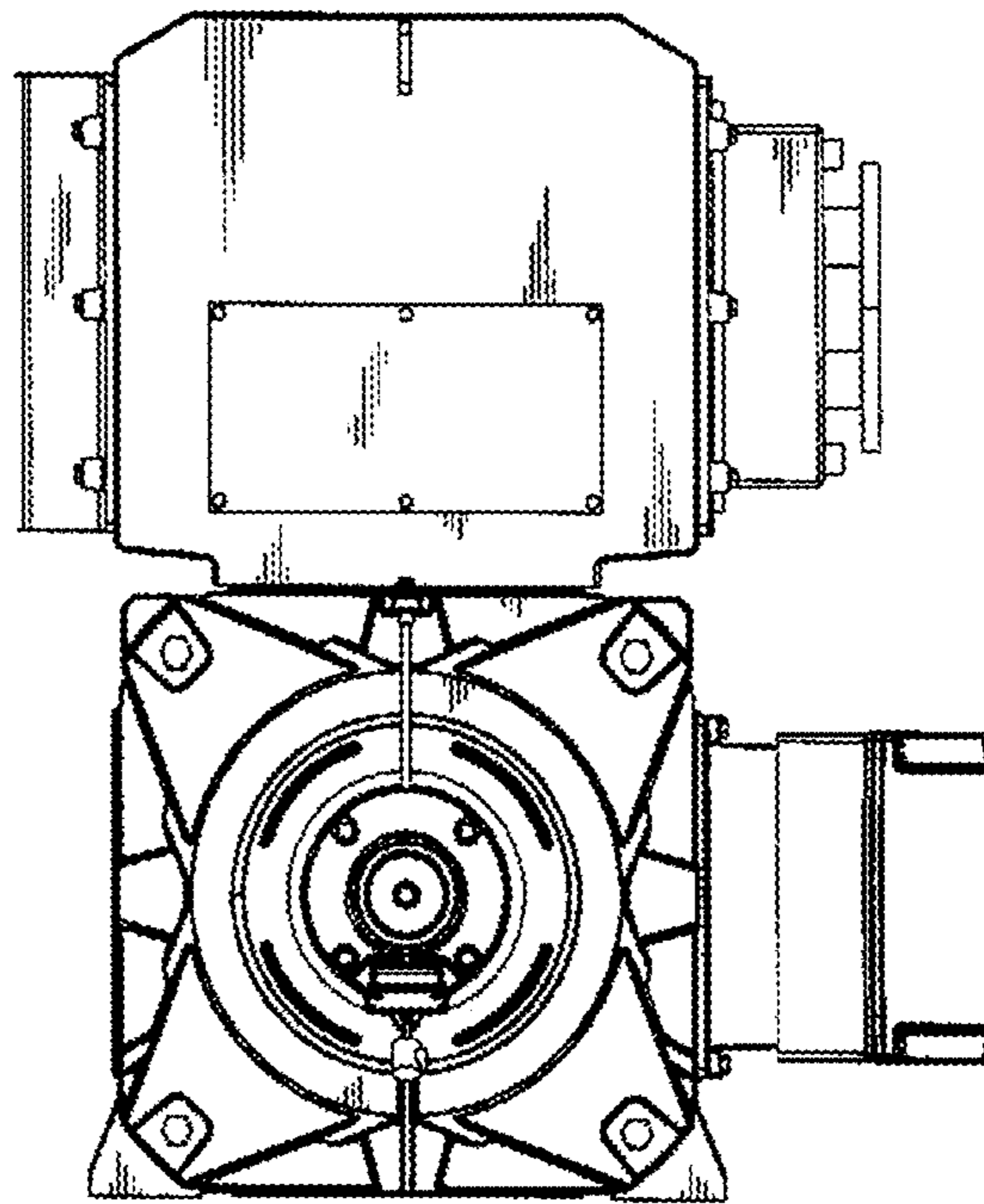


FIG. 2

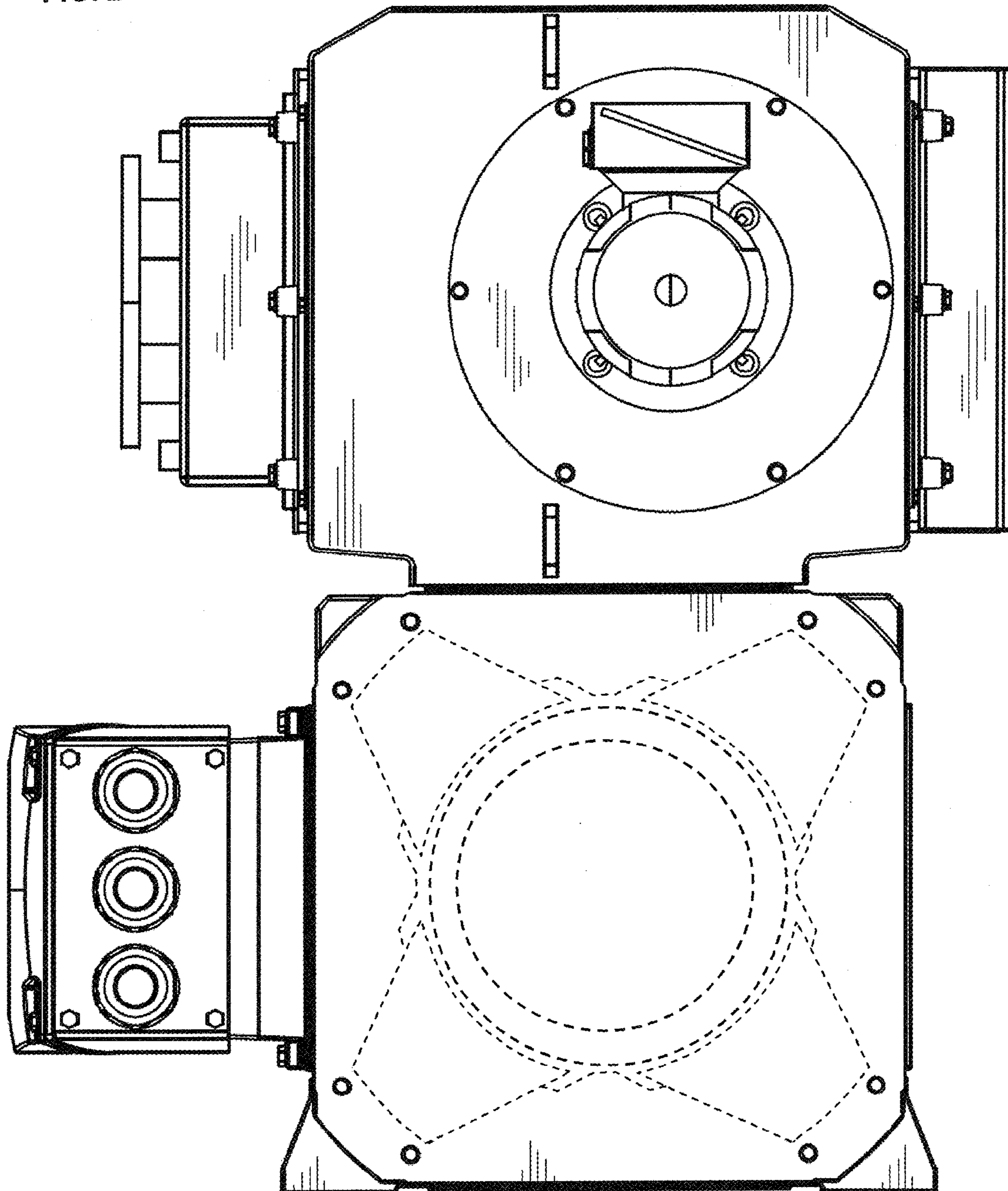


FIG. 3

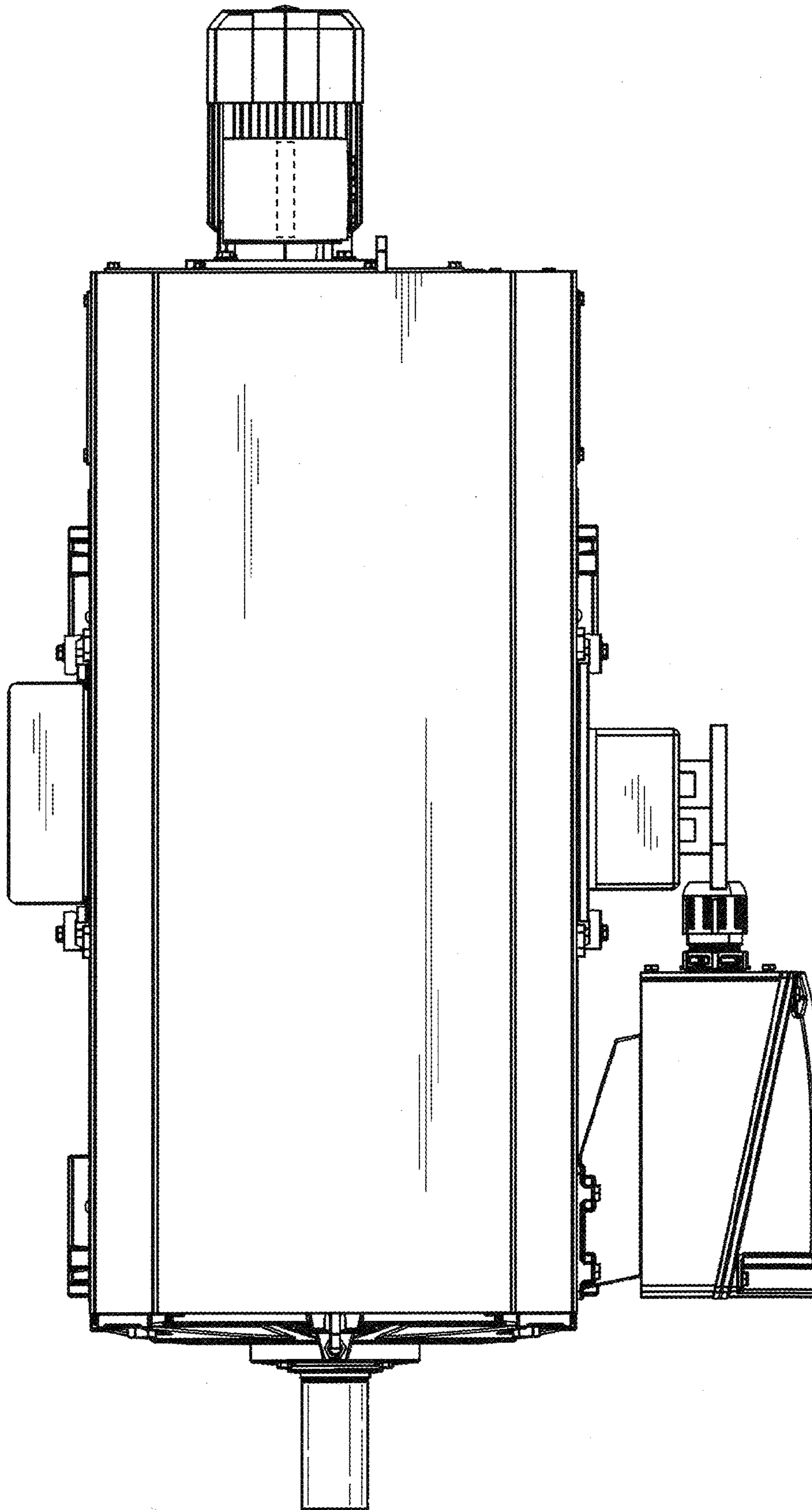


FIG. 4

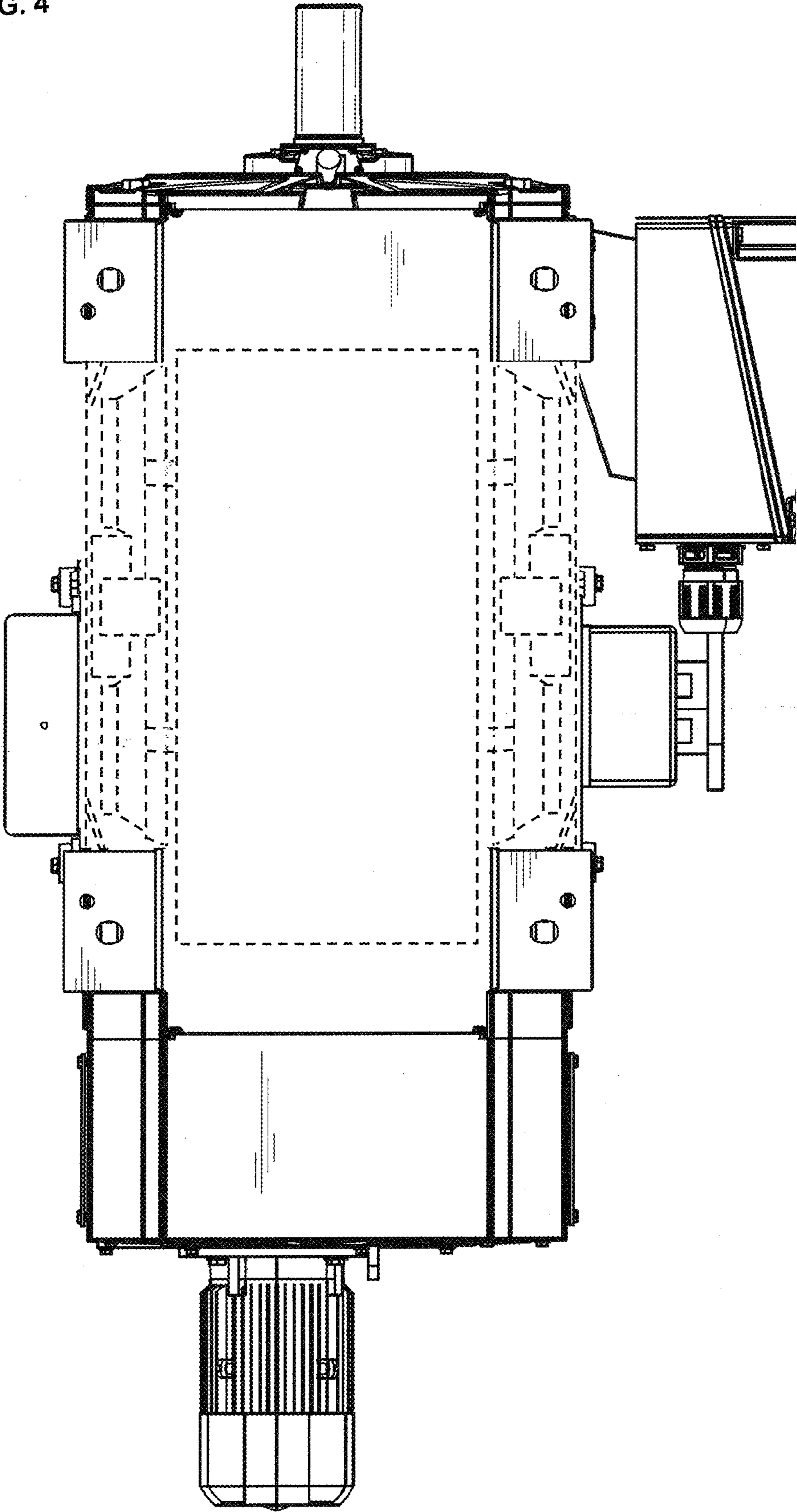


FIG. 5

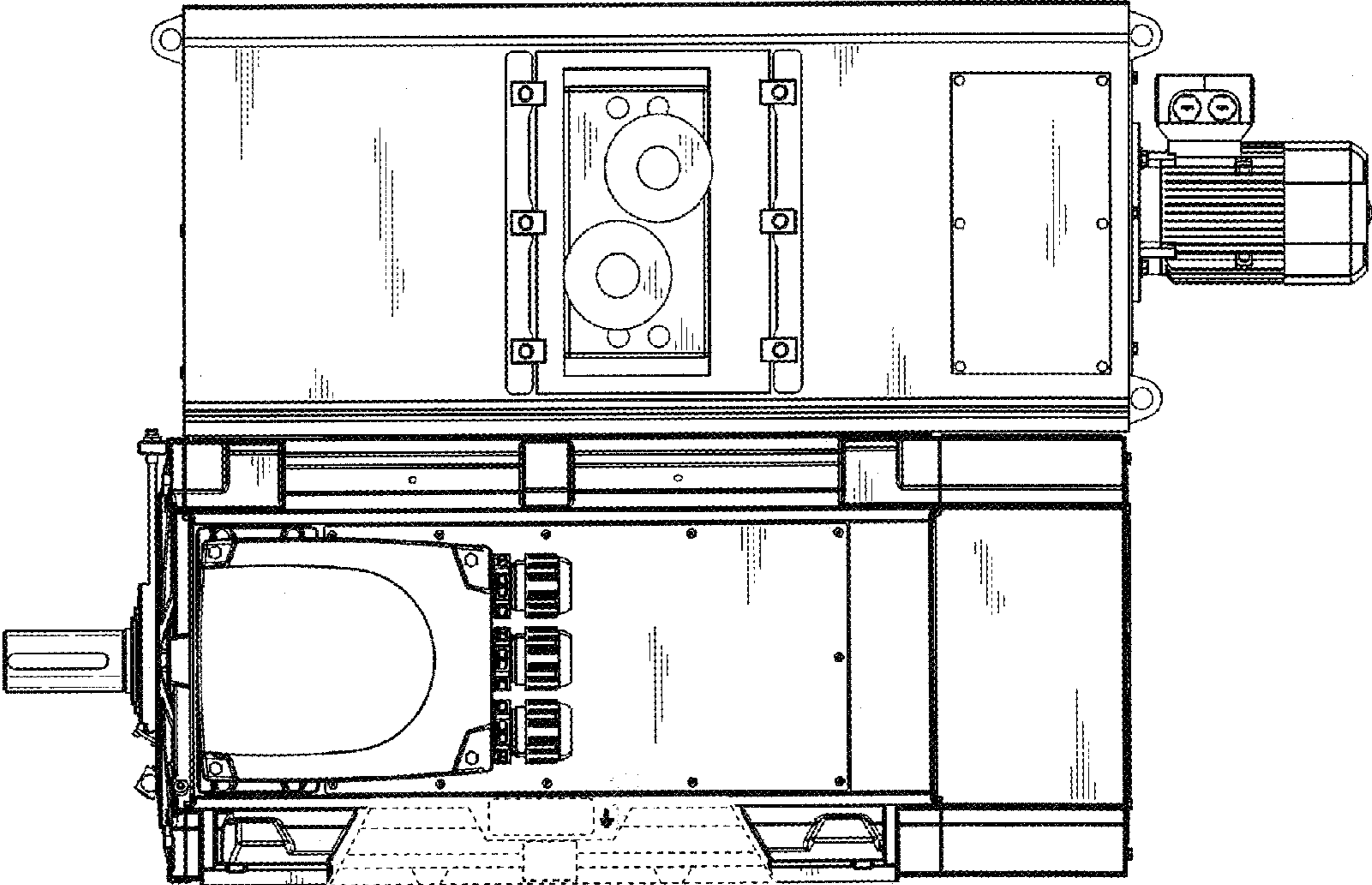


FIG. 6

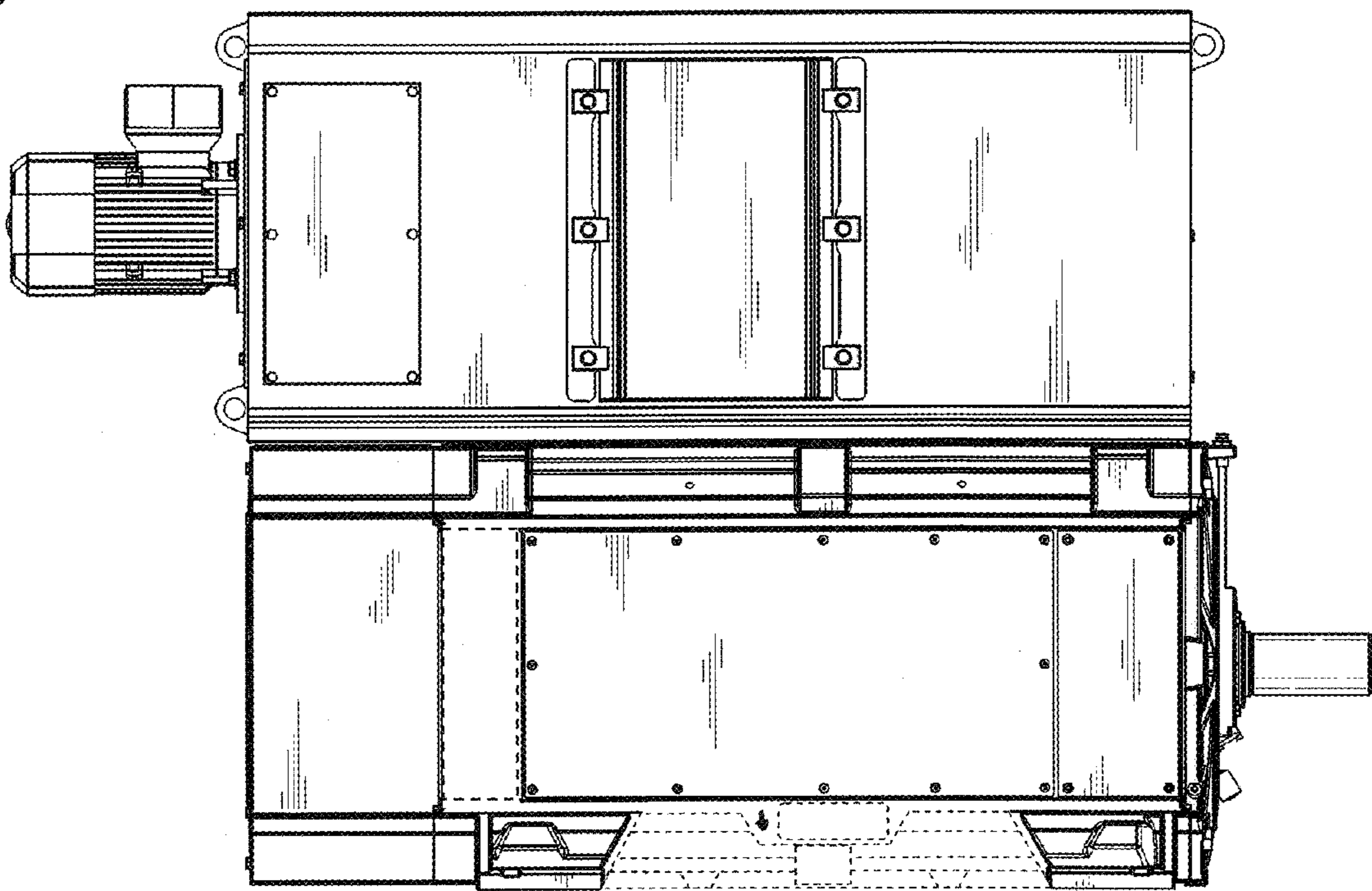


FIG. 7

