



US00D762573S

(12) **United States Design Patent**
Béhar et al.

(10) **Patent No.:** **US D762,573 S**

(45) **Date of Patent:** **** Aug. 2, 2016**

(54) **POWER SUPPLY**

(71) Applicant: **Avogy, Inc.**, San Jose, CA (US)

(72) Inventors: **Yves Béhar**, San Francisco, CA (US);
Noah Murphy-Reinhertz, San Francisco, CA (US); **Diana Chang**, San Francisco, CA (US); **Darin Smedberg**, Pollock Pines, CA (US); **Frederick Allen Stillman**, Seattle, WA (US)

(73) Assignee: **Avogy, Inc.**, San Jose, CA (US)

(**) Term: **14 Years**

(21) Appl. No.: **29/525,732**

(22) Filed: **May 1, 2015**

Related U.S. Application Data

(63) Continuation of application No. 29/501,217, filed on Sep. 2, 2014, now Pat. No. Des. 728,475.

(51) **LOC (10) Cl.** **13-02**

(52) **U.S. Cl.**
USPC **D13/110**

(58) **Field of Classification Search**
USPC D13/110, 108, 123, 133, 137.1, 184,
D13/199; 174/53, 54, 57, 59, 61; 307/150,
307/151; 320/111, 114; 363/132, 146;
439/105, 131, 166, 170-173, 218, 518,
439/692, 956; D14/242, 433
CPC H02J 7/02; H02J 7/022; H02J 7/0042;
H01R 25/00; H01R 25/003; H01R 13/44;
H01R 27/00; Y02E 60/12
See application file for complete search history.

(56) **References Cited**

U.S. PATENT DOCUMENTS

5,987,845 A * 11/1999 Laronde B27M 3/0053
52/591.1

(Continued)

Primary Examiner — Derrick Holland

(74) *Attorney, Agent, or Firm* — Kilpatrick Townsend & Stockton LLP

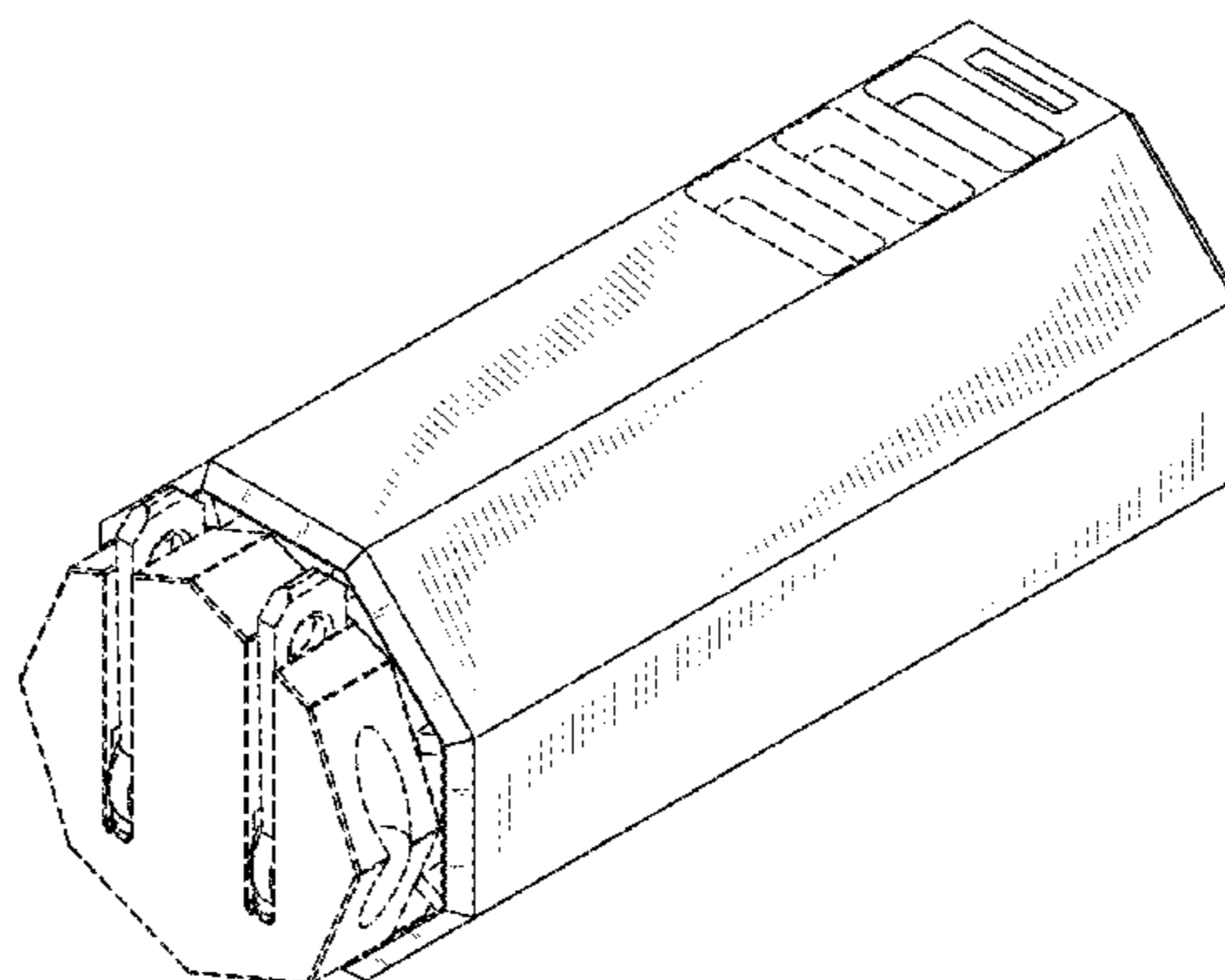
(57) **CLAIM**

The ornamental design for a power supply, as shown and described.

DESCRIPTION

FIG. 1 is a perspective view of a first embodiment of a power supply showing our new design;
FIG. 2 is a second perspective view thereof;
FIG. 3 is a third perspective view thereof;
FIG. 4 is a fourth perspective view thereof;
FIG. 5 is a top plan view thereof;
FIG. 6 is a bottom plan view thereof;
FIG. 7 is a front elevational view thereof;
FIG. 8 is a rear elevational view thereof;
FIG. 9 is a left side elevational view thereof; and
FIG. 10 is a right side elevational view thereof.
FIG. 11 is a perspective view of a second embodiment of a power supply showing our new design;
FIG. 12 is a second perspective view thereof;
FIG. 13 is a third perspective view thereof;
FIG. 14 is a fourth perspective view thereof;
FIG. 15 is a top plan view thereof;
FIG. 16 is a bottom plan view thereof;
FIG. 17 is a front elevational view thereof;
FIG. 18 is a rear elevational view thereof;
FIG. 19 is a left side elevational view thereof; and
FIG. 20 is a right side elevational view thereof.
FIG. 21 is a perspective view of a third embodiment of a power supply showing our new design;
FIG. 22 is a second perspective view thereof;
FIG. 23 is a third perspective view thereof;
FIG. 24 is a fourth perspective view thereof;
FIG. 25 is a top plan view thereof;
FIG. 26 is a bottom plan view thereof;
FIG. 27 is a front elevational view thereof;
FIG. 28 is a rear elevational view thereof;
FIG. 29 is a left side elevational view thereof; and
FIG. 30 is a right side elevational view thereof.
The broken lines shown represent unclaimed subject matter and form no part of the claimed design.

1 Claim, 12 Drawing Sheets



US D762,573 S

Page 2

(56)

References Cited

U.S. PATENT DOCUMENTS

D544,834 S * 6/2007 Weinstein D13/110
D598,844 S * 8/2009 Harrison D13/103
D602,430 S * 10/2009 Green D13/110

D670,244 S * 11/2012 Workman D13/110
D673,909 S * 1/2013 Zaslavsky D13/110
D675,158 S * 1/2013 Smith D13/110
D691,555 S * 10/2013 Esses D13/110

* cited by examiner

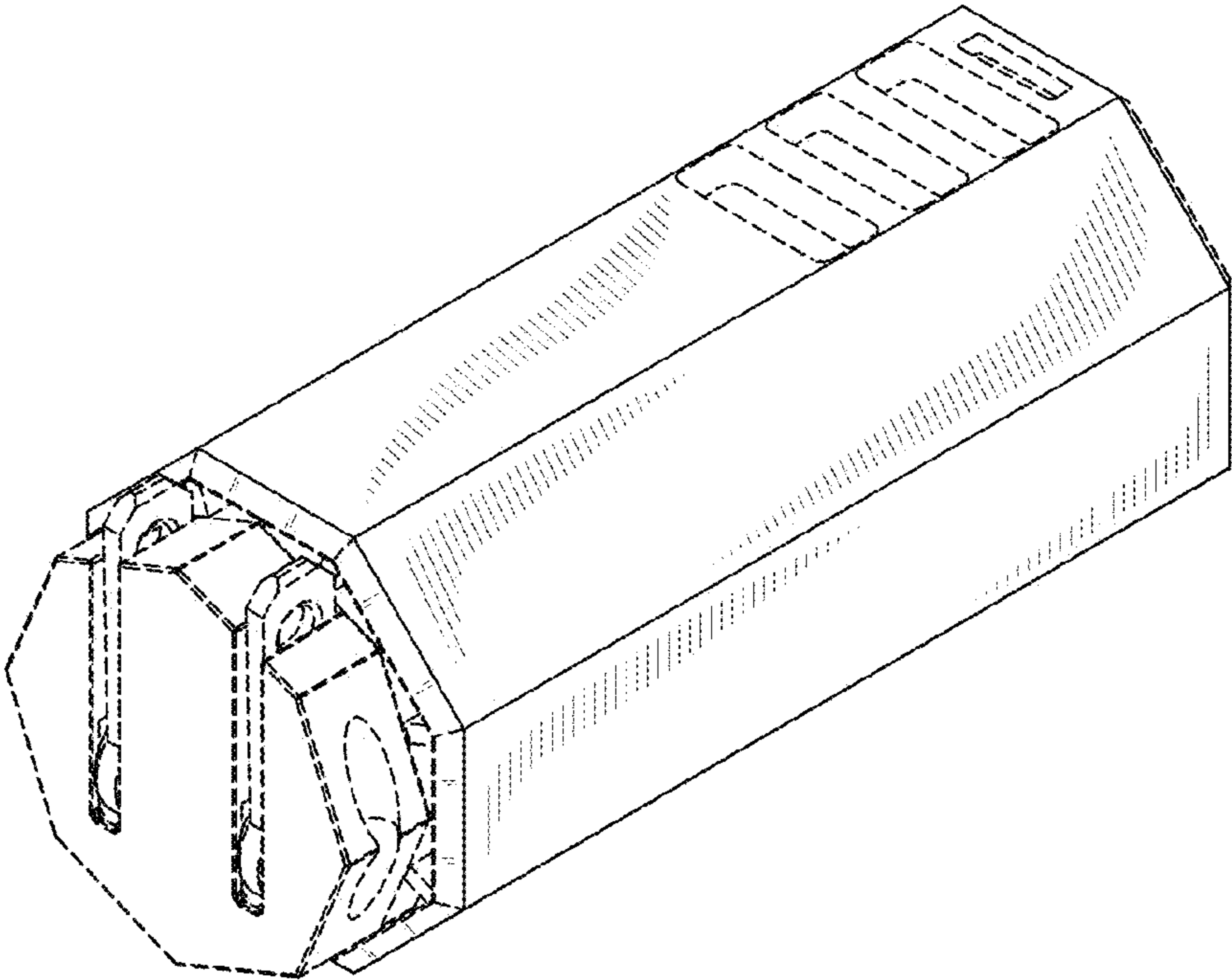


FIG. 1

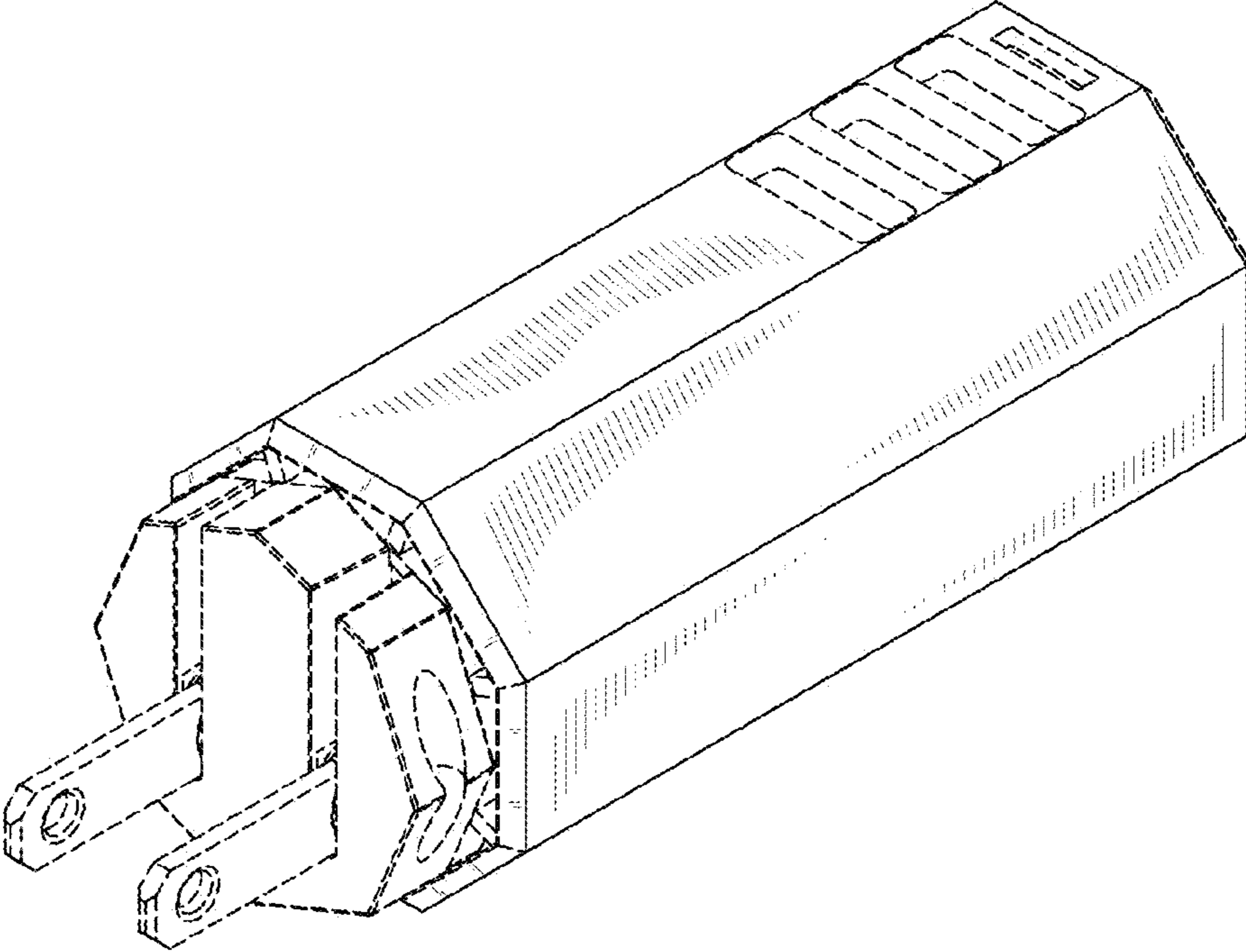


FIG. 2

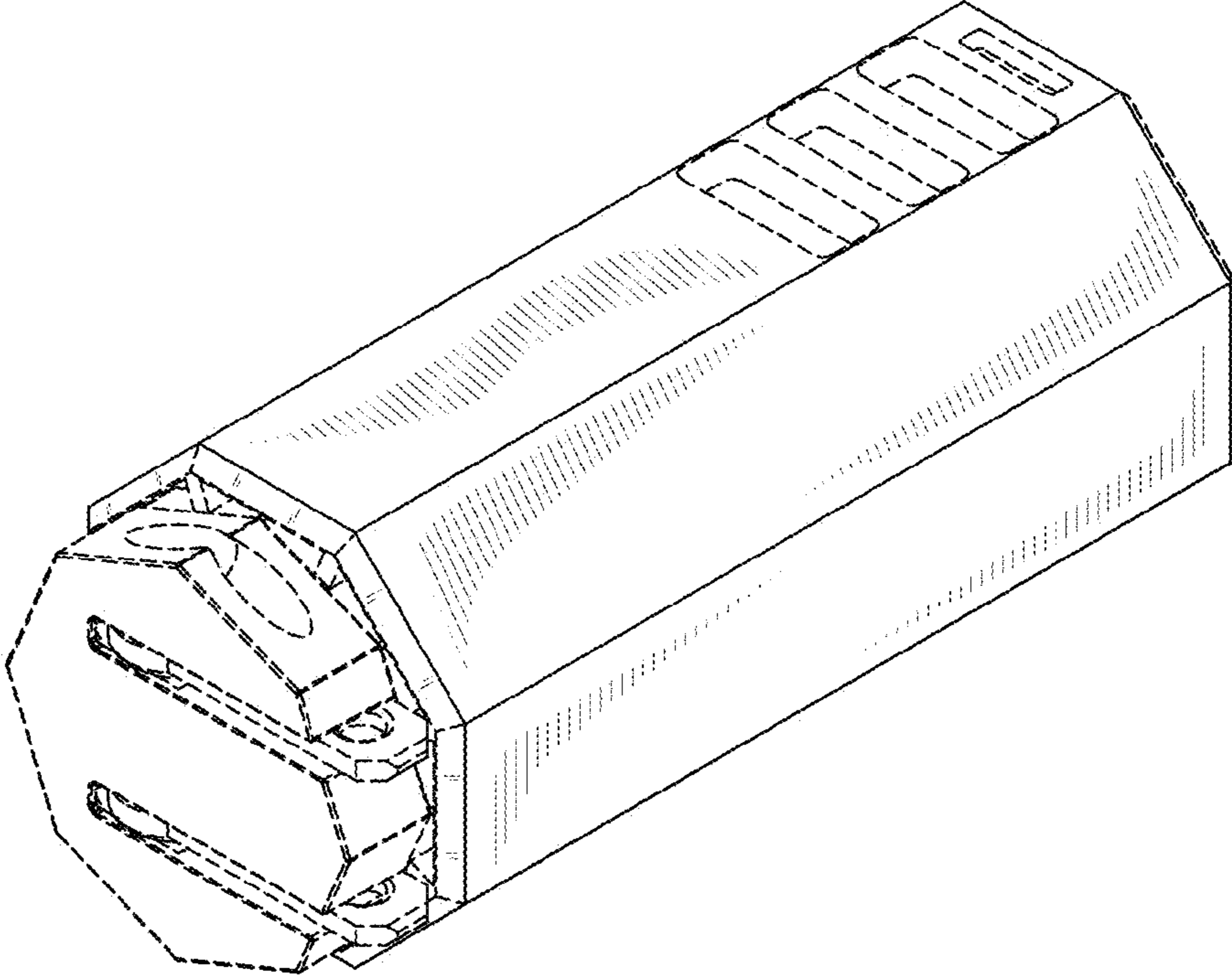


FIG. 3

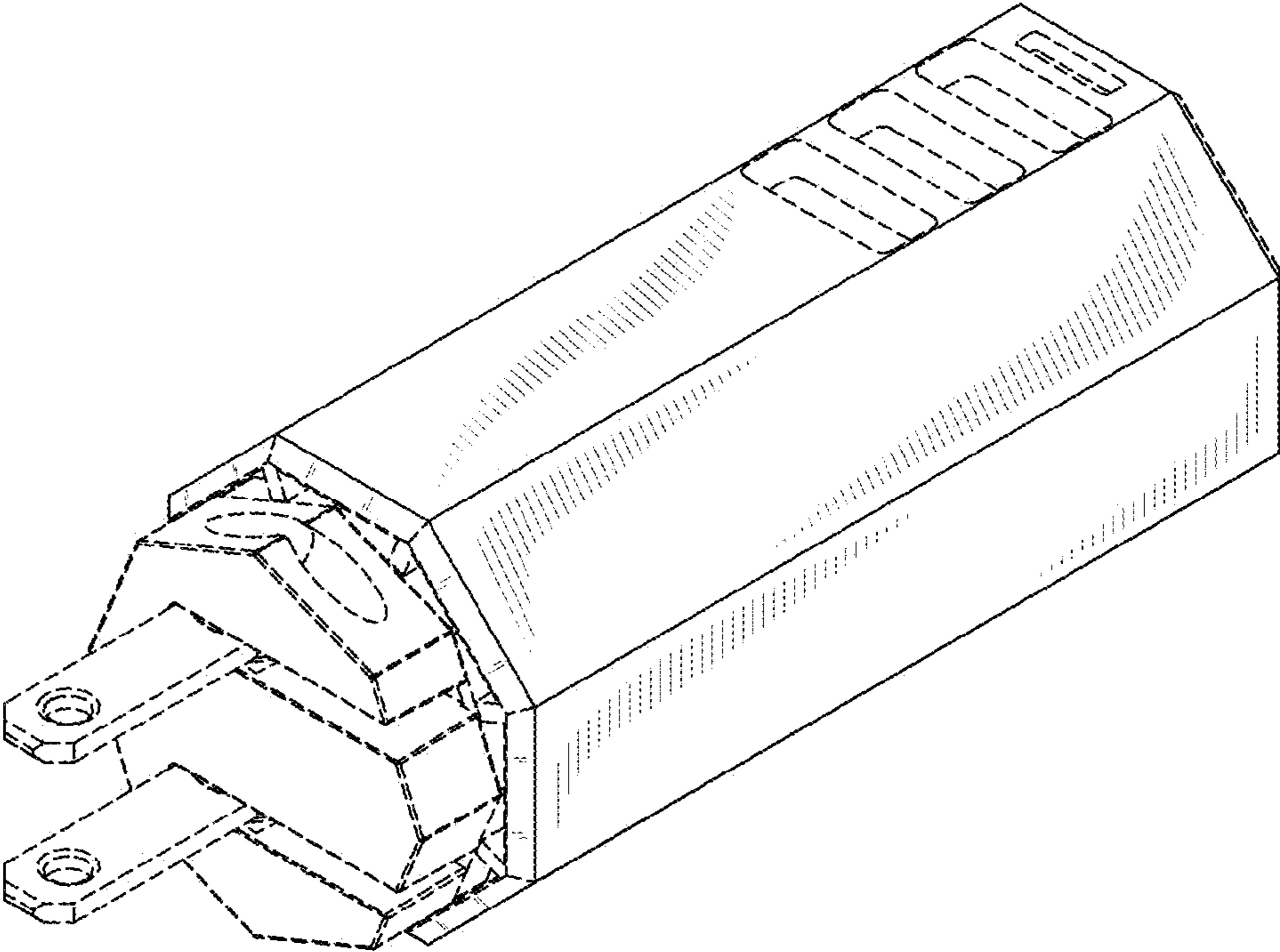


FIG. 4

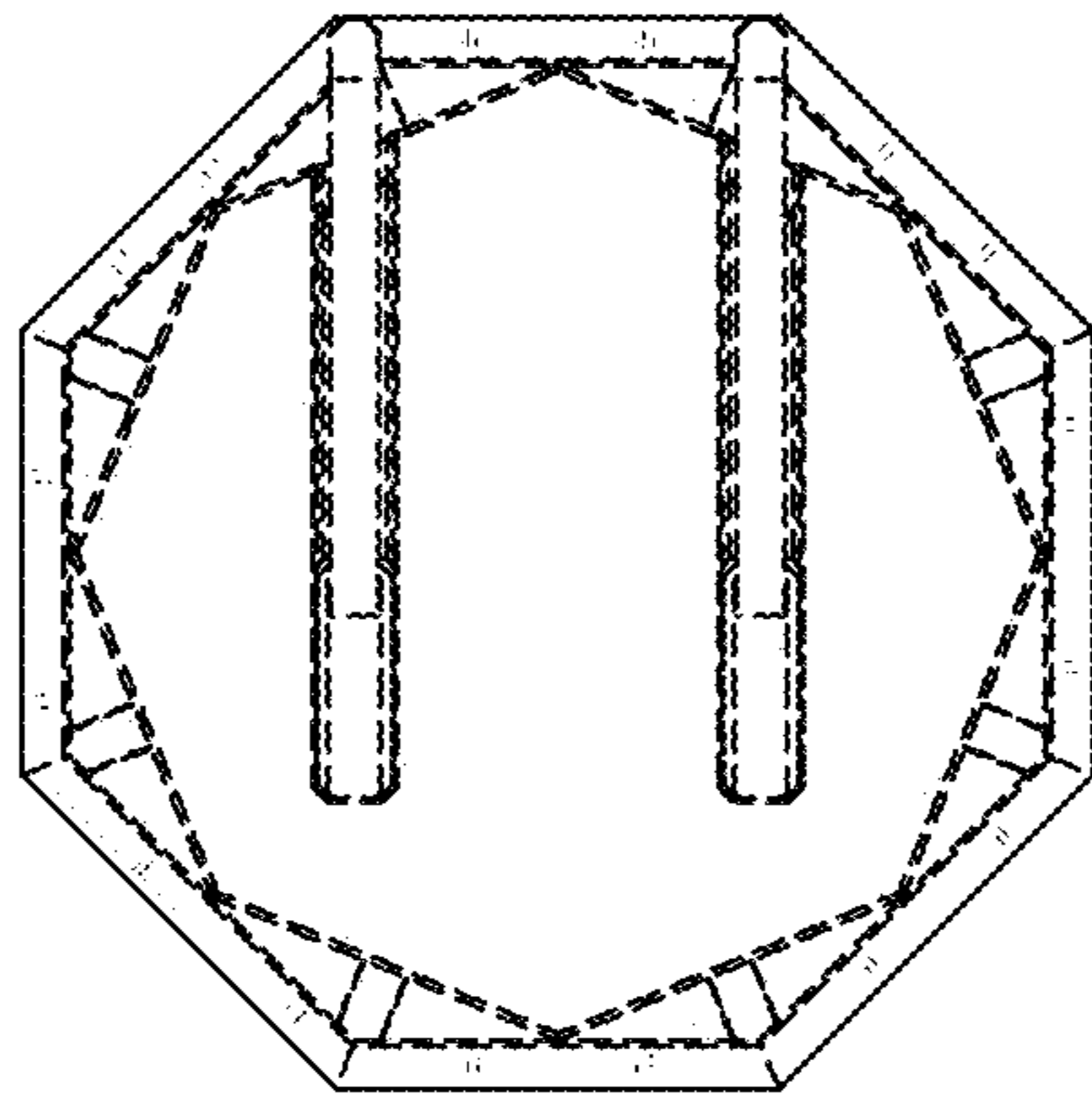


FIG. 5

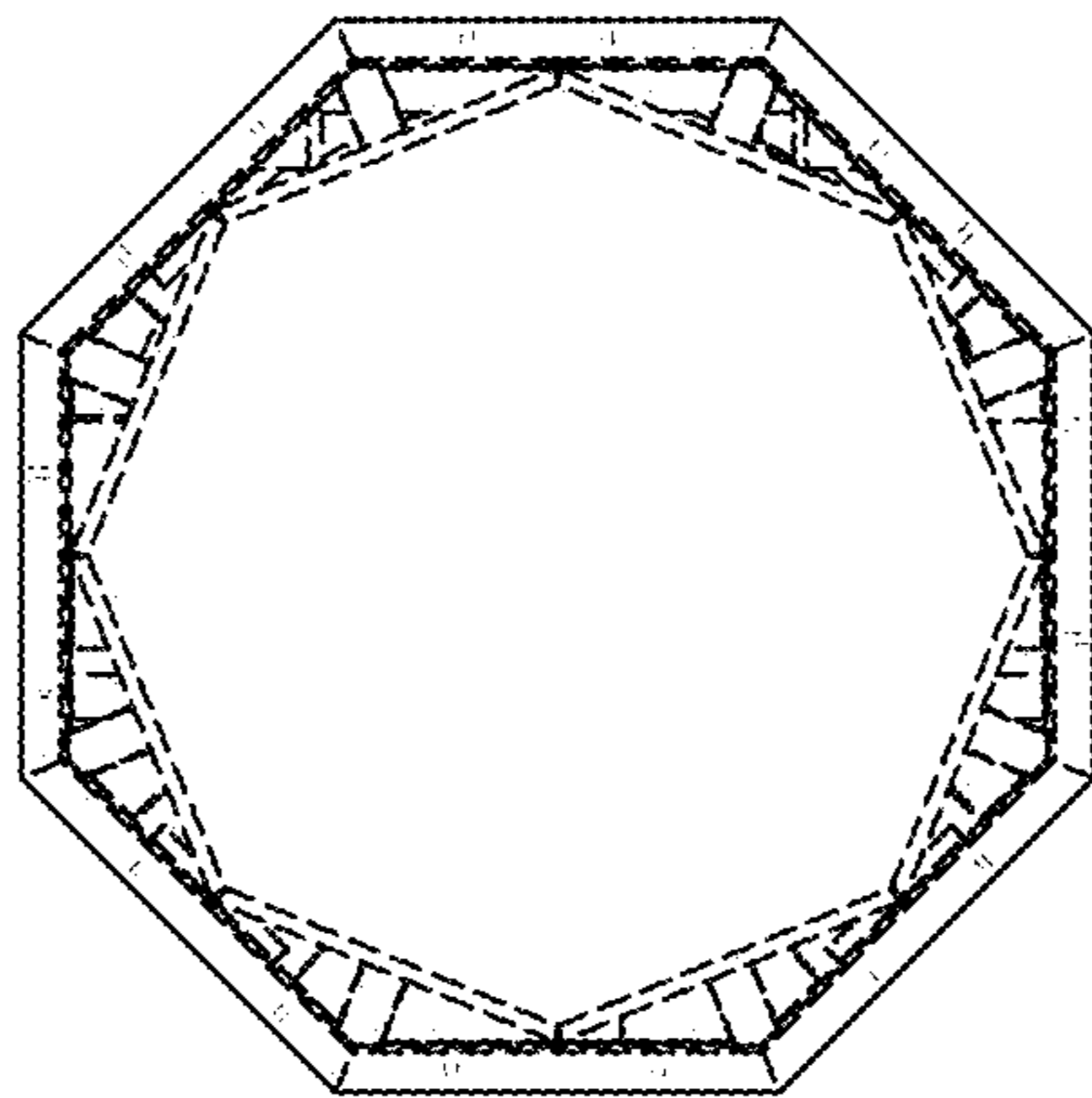


FIG. 6

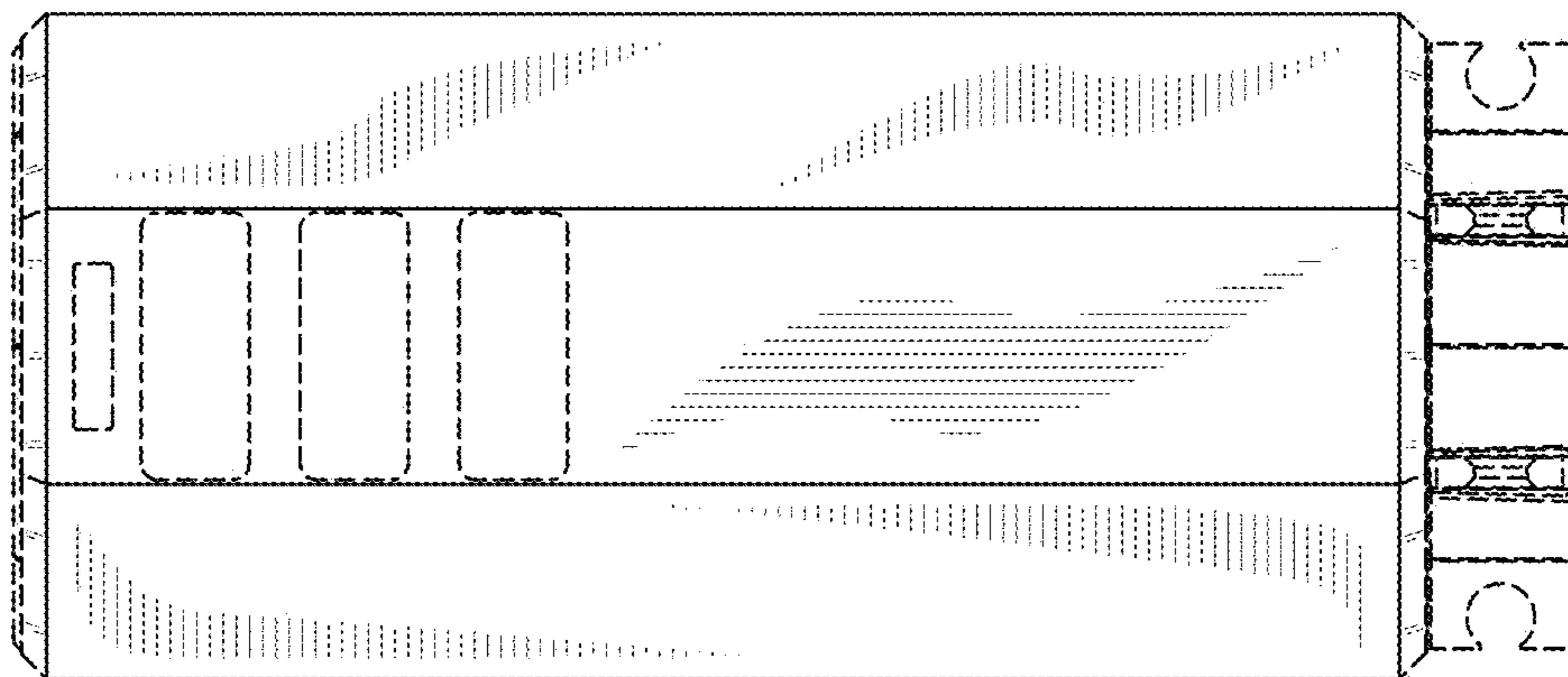


FIG. 7

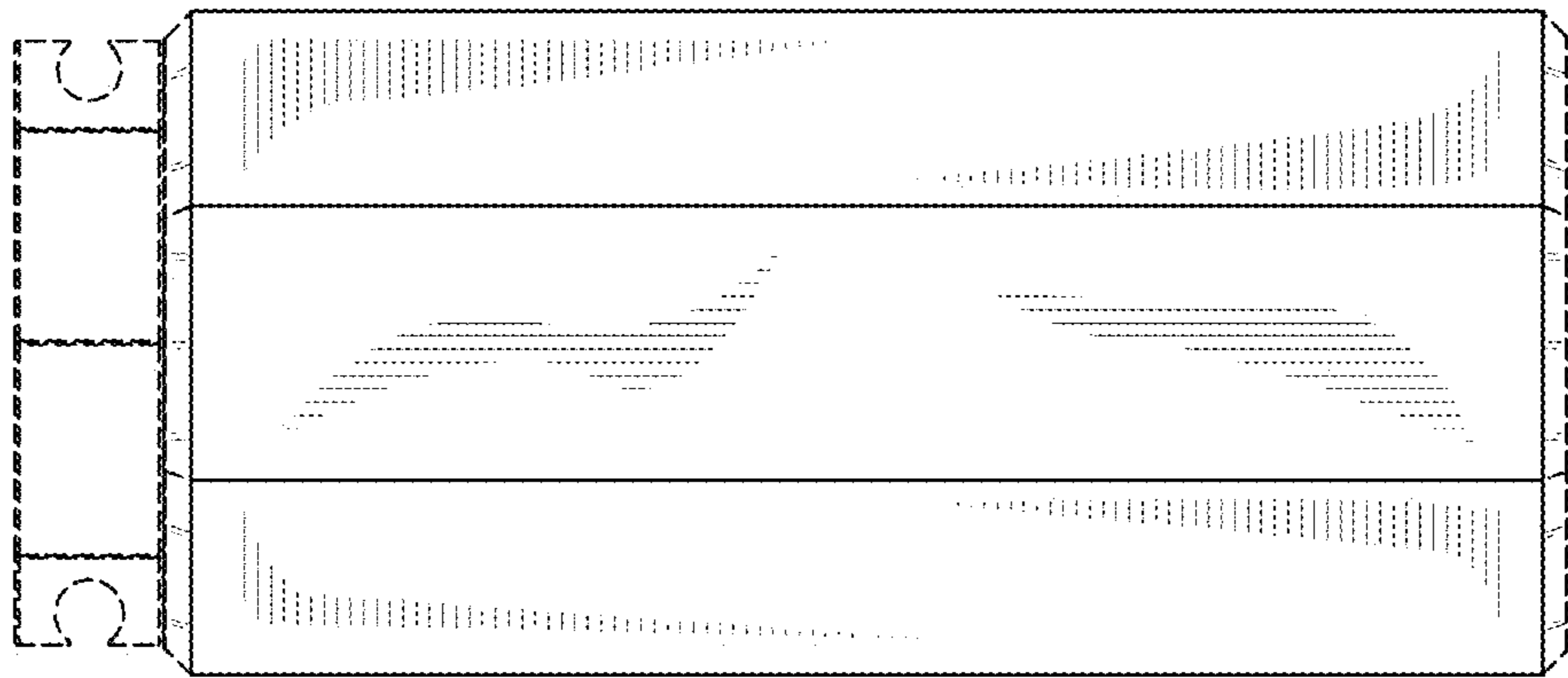


FIG. 8

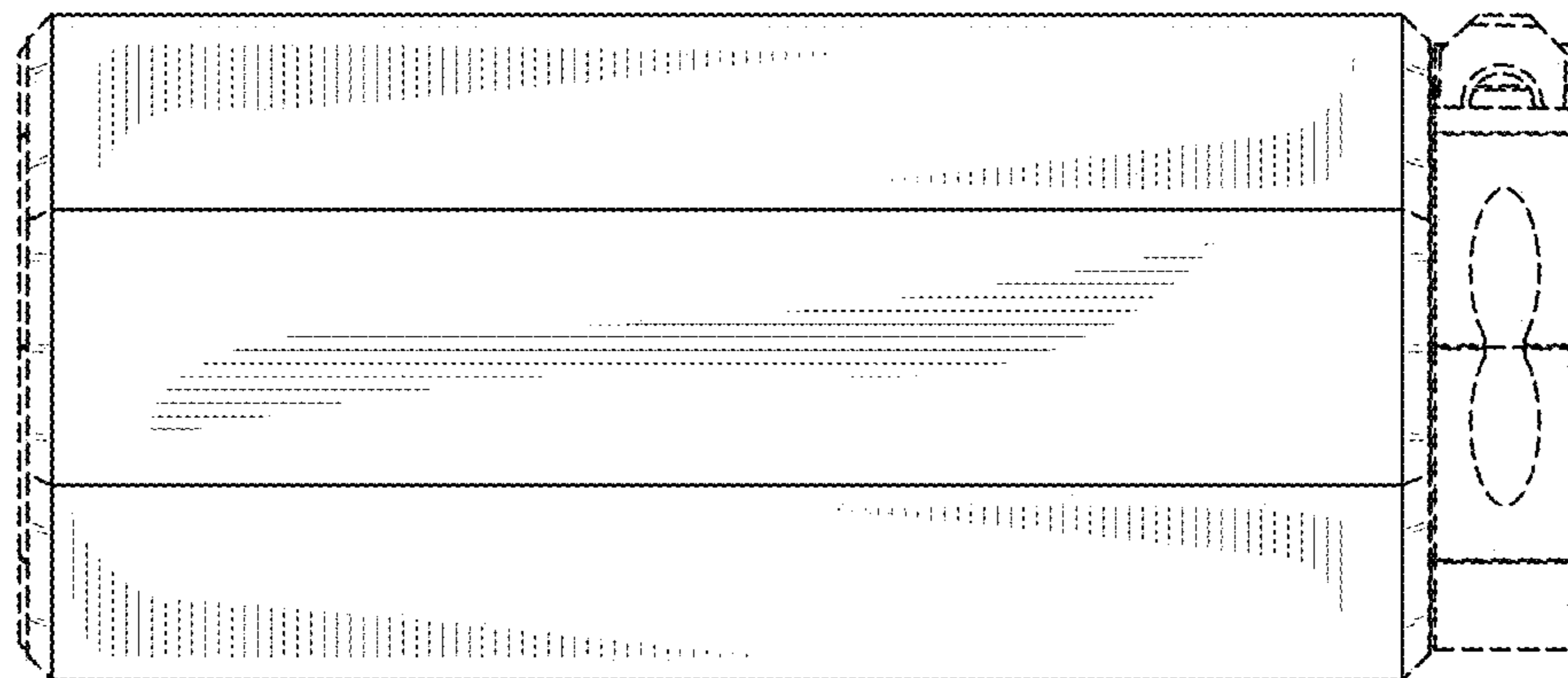


FIG. 9

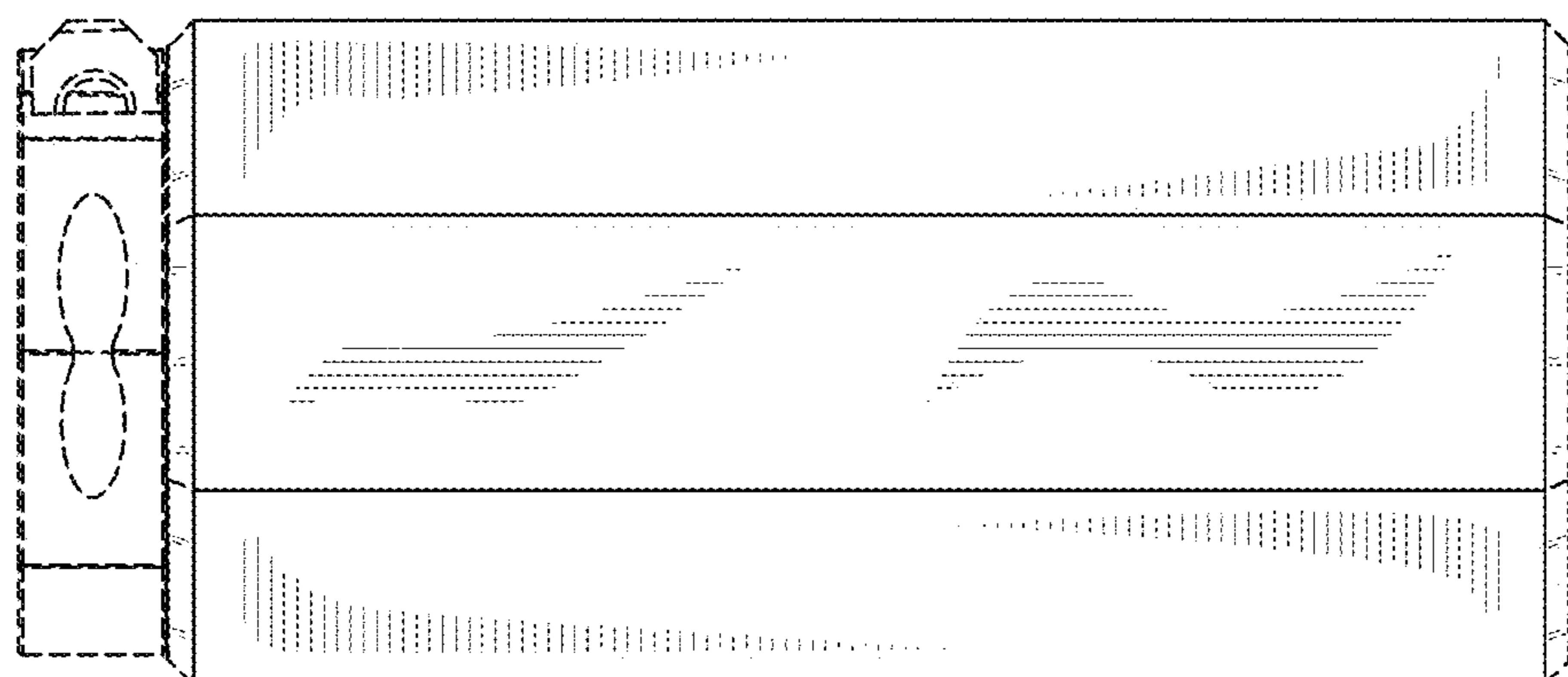


FIG. 10

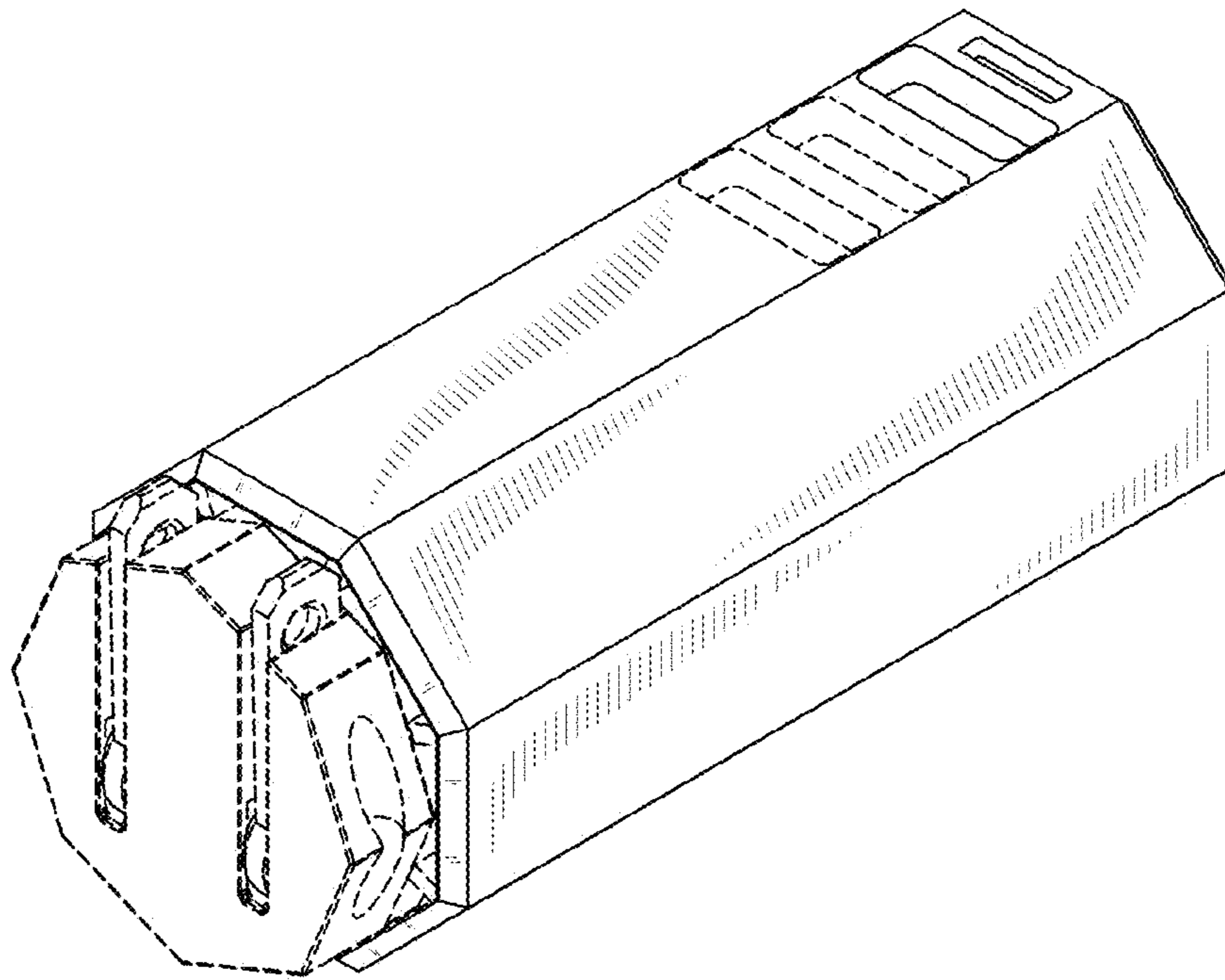


FIG. 11

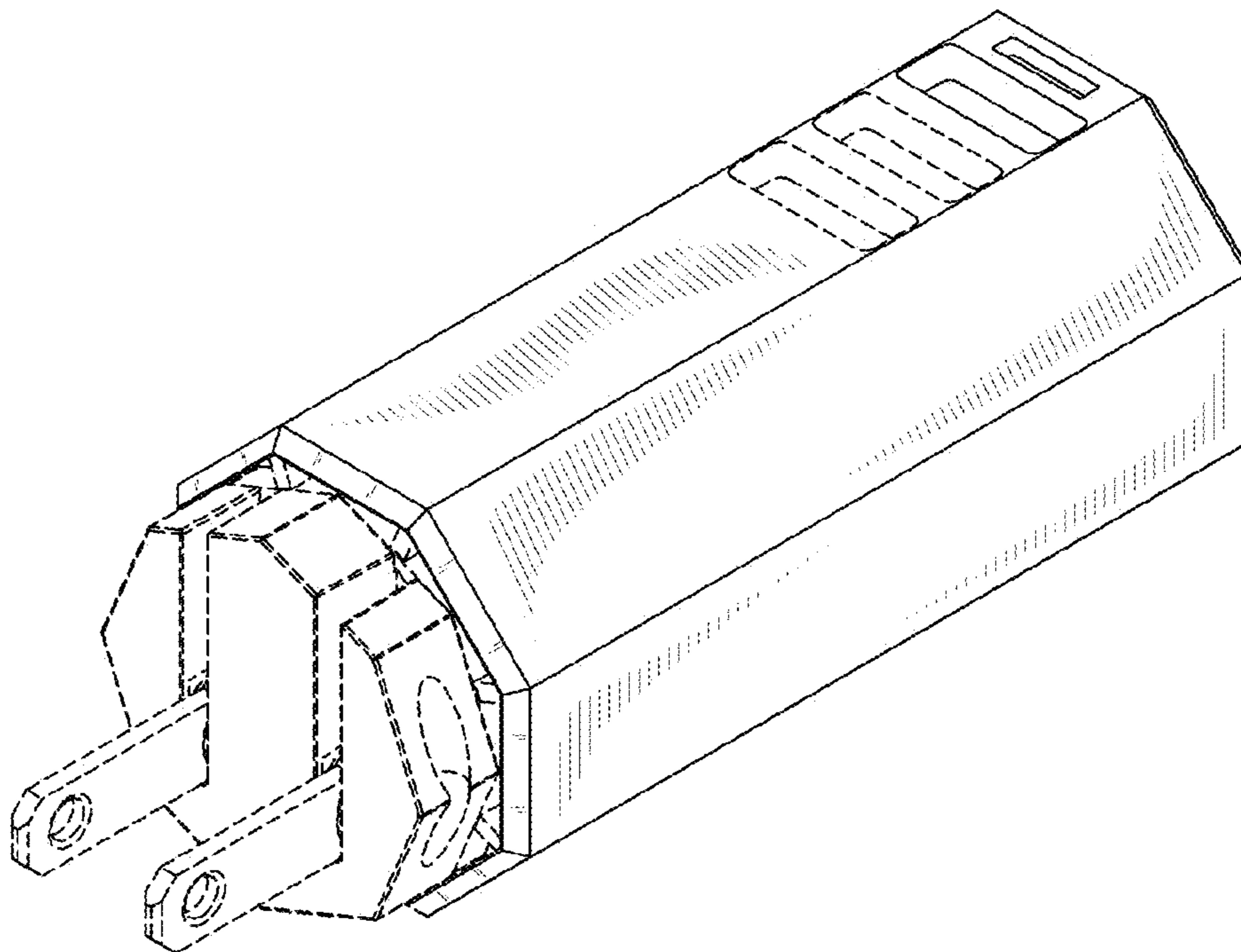


FIG. 12

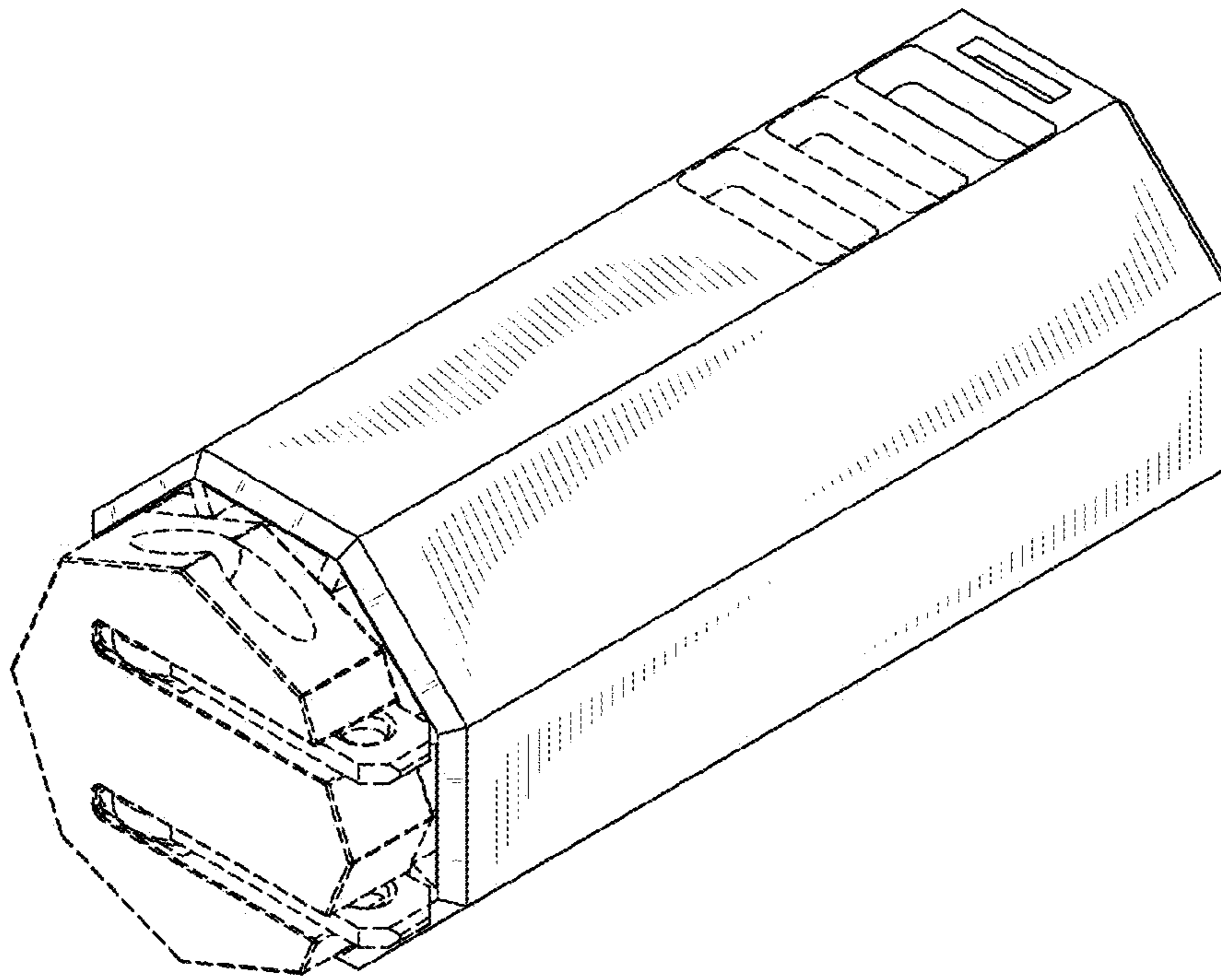


FIG. 13

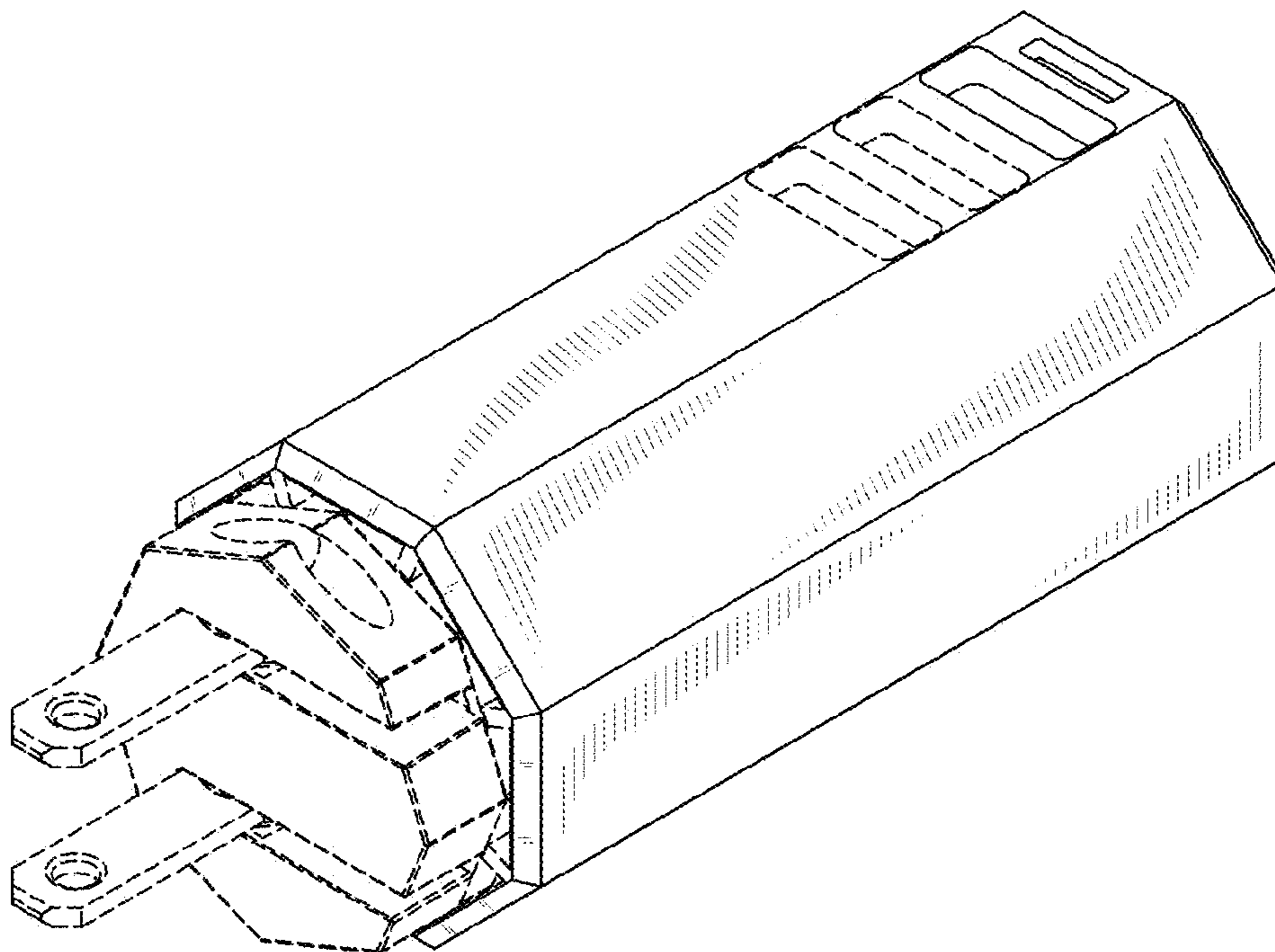


FIG. 14

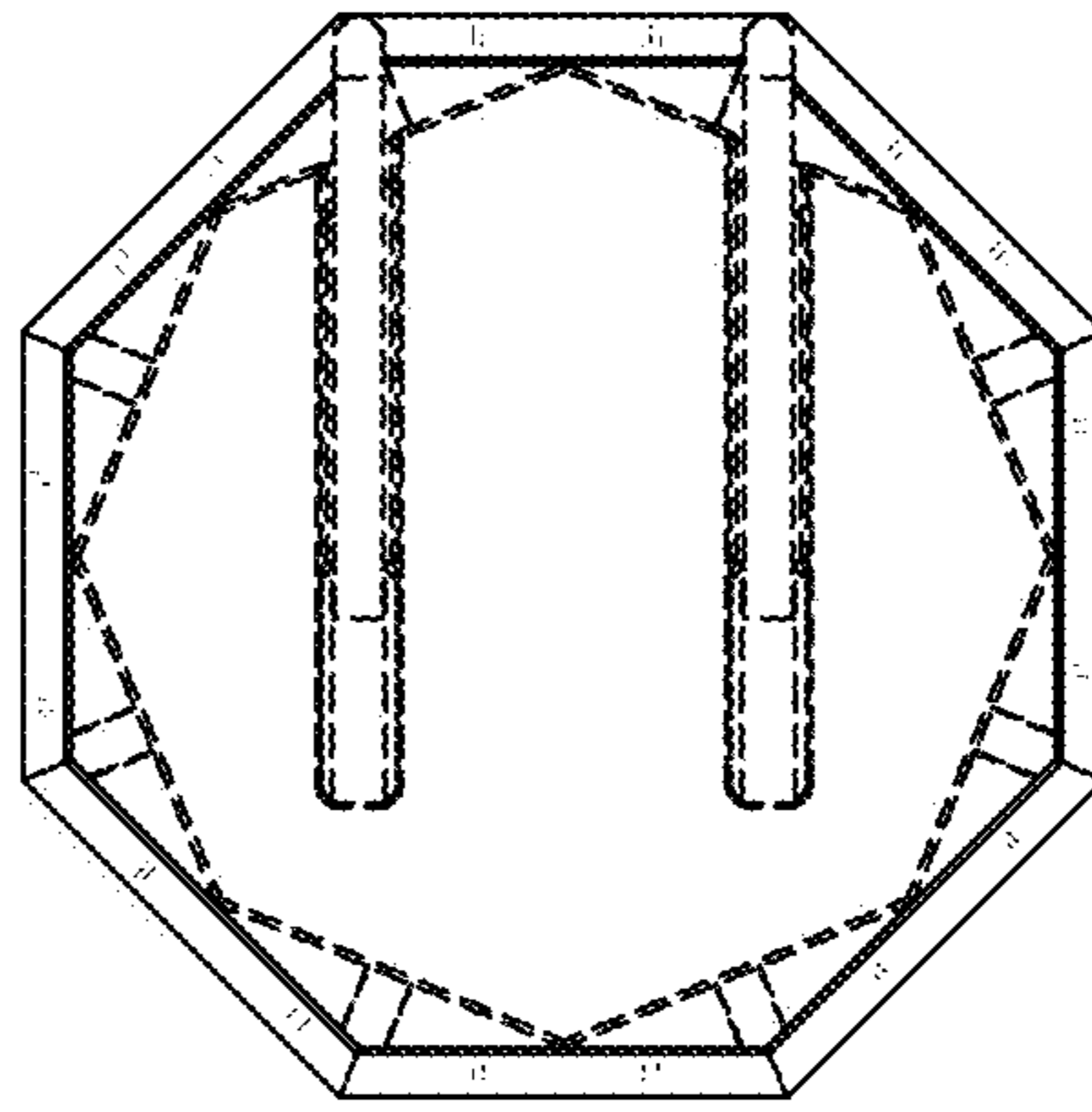


FIG. 15

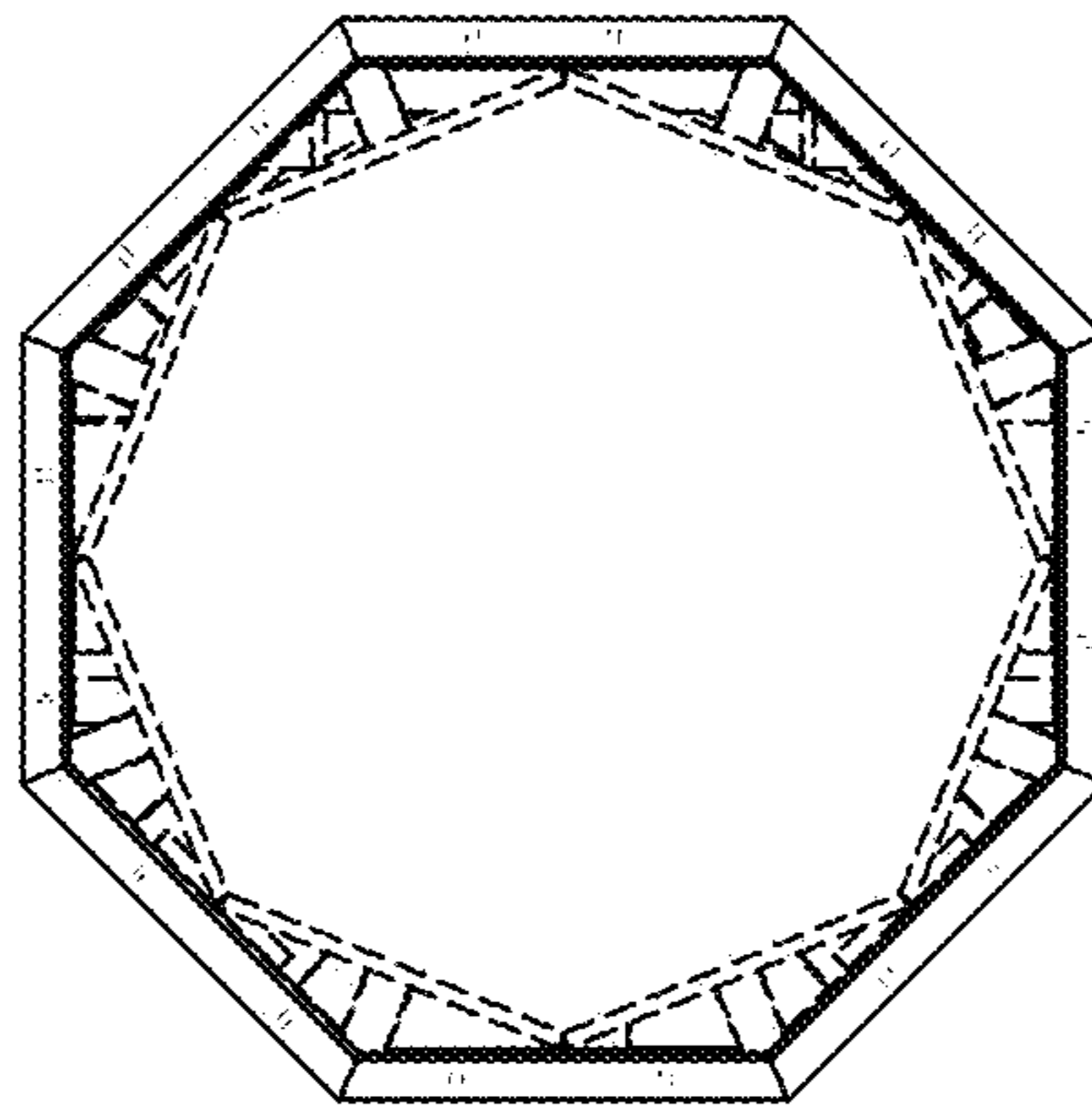


FIG. 16

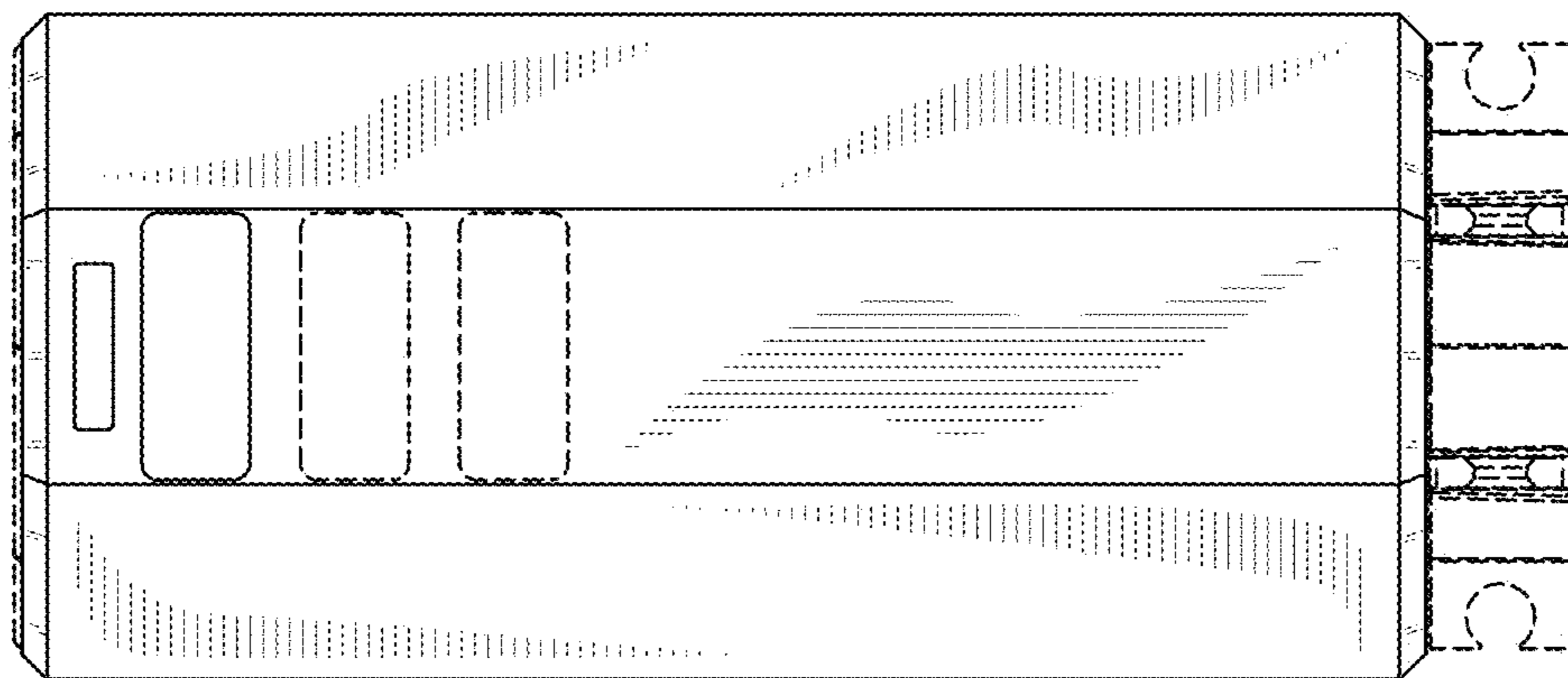


FIG. 17

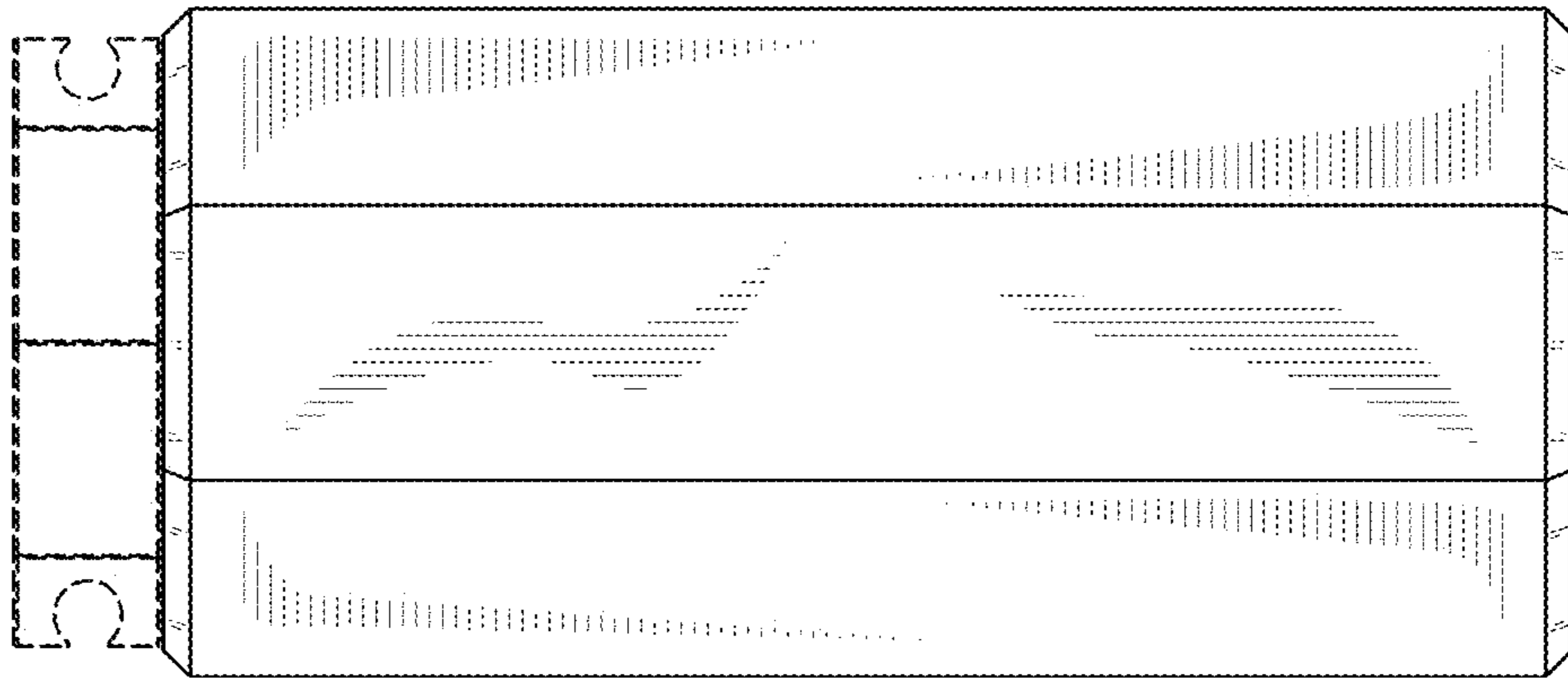


FIG. 18

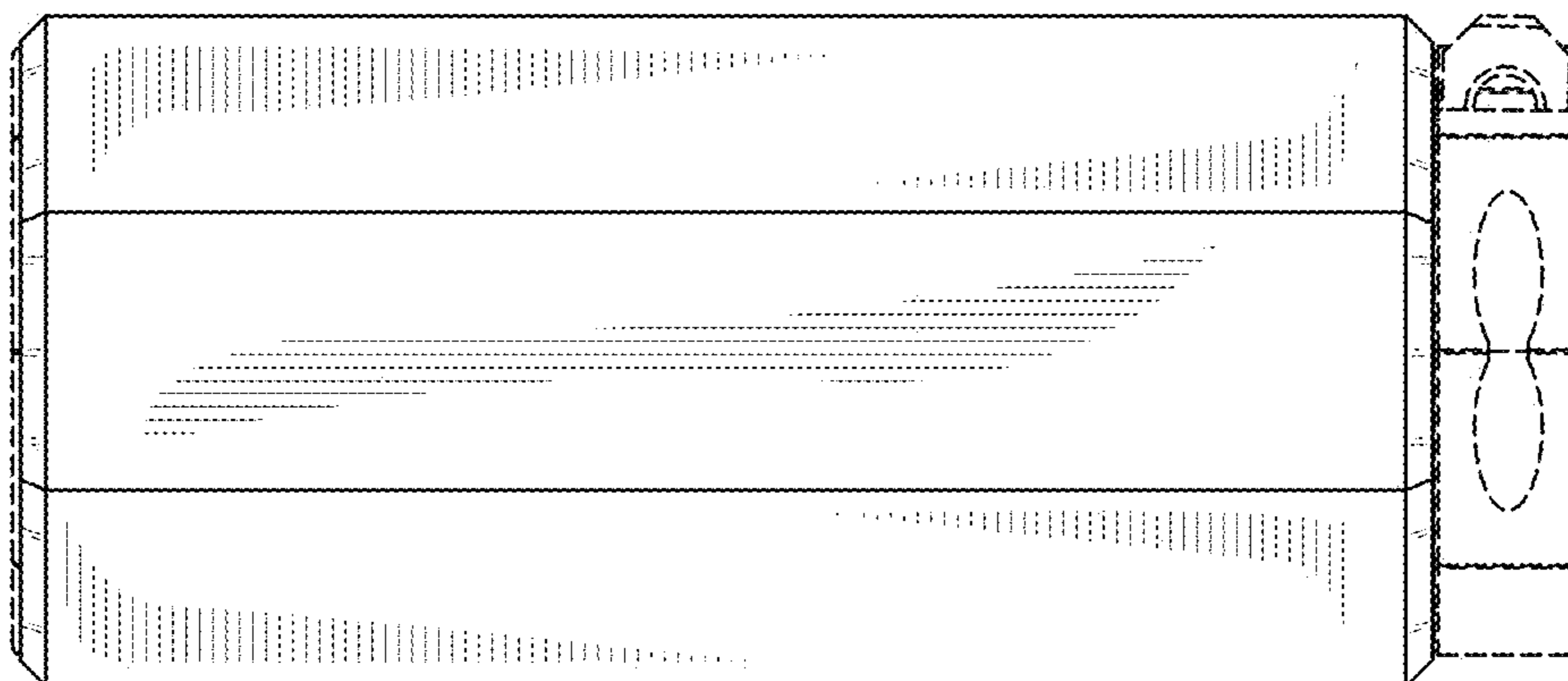


FIG. 19

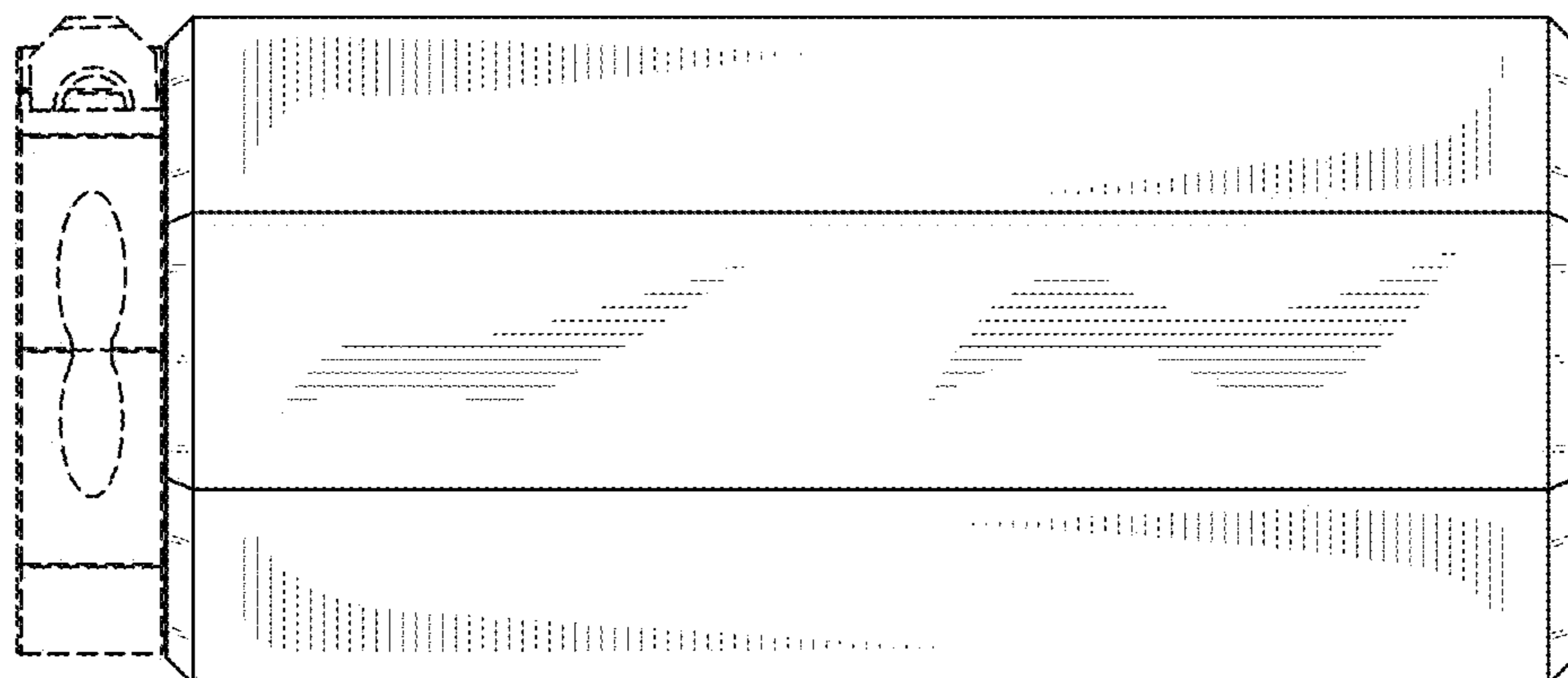


FIG. 20

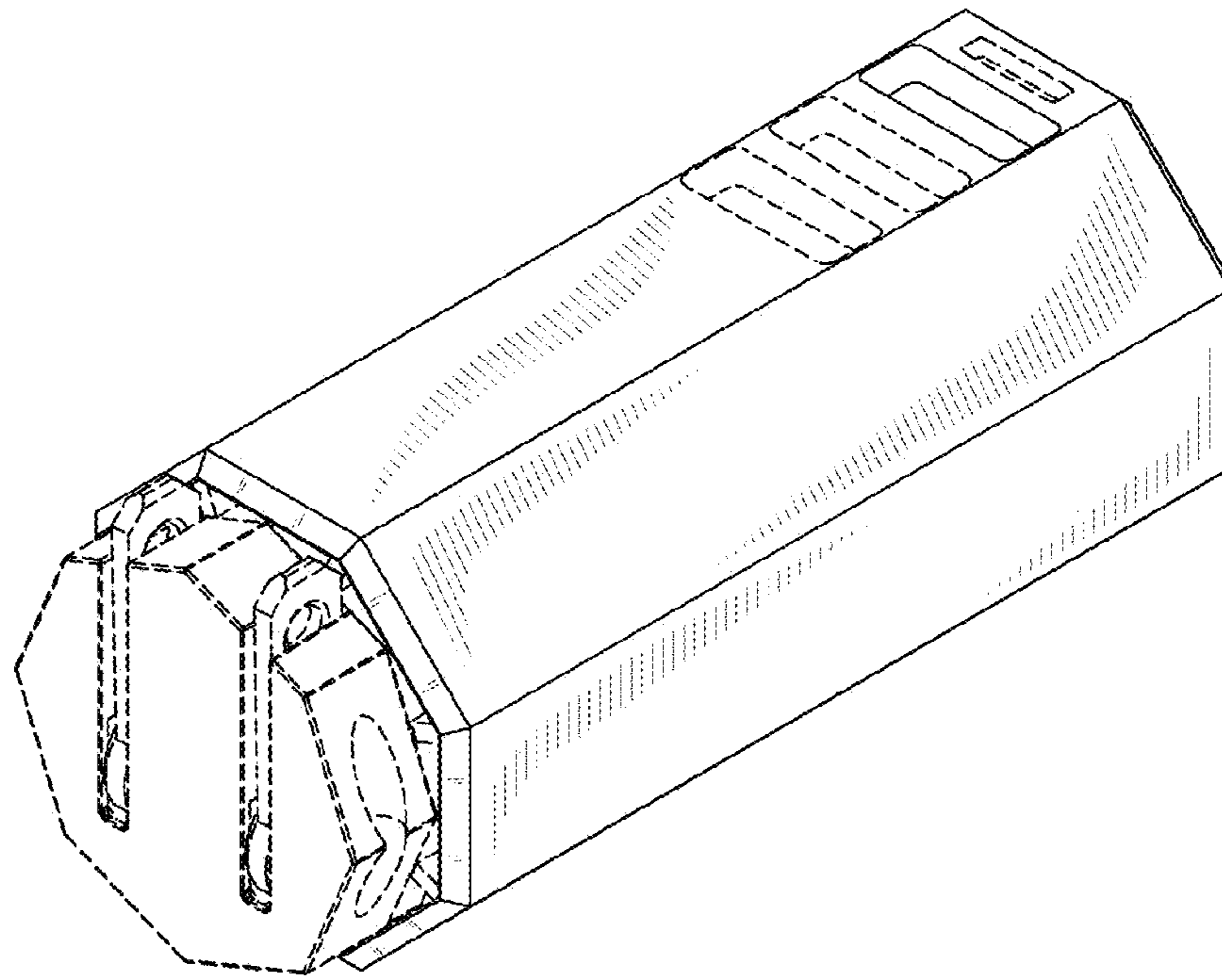


FIG. 21

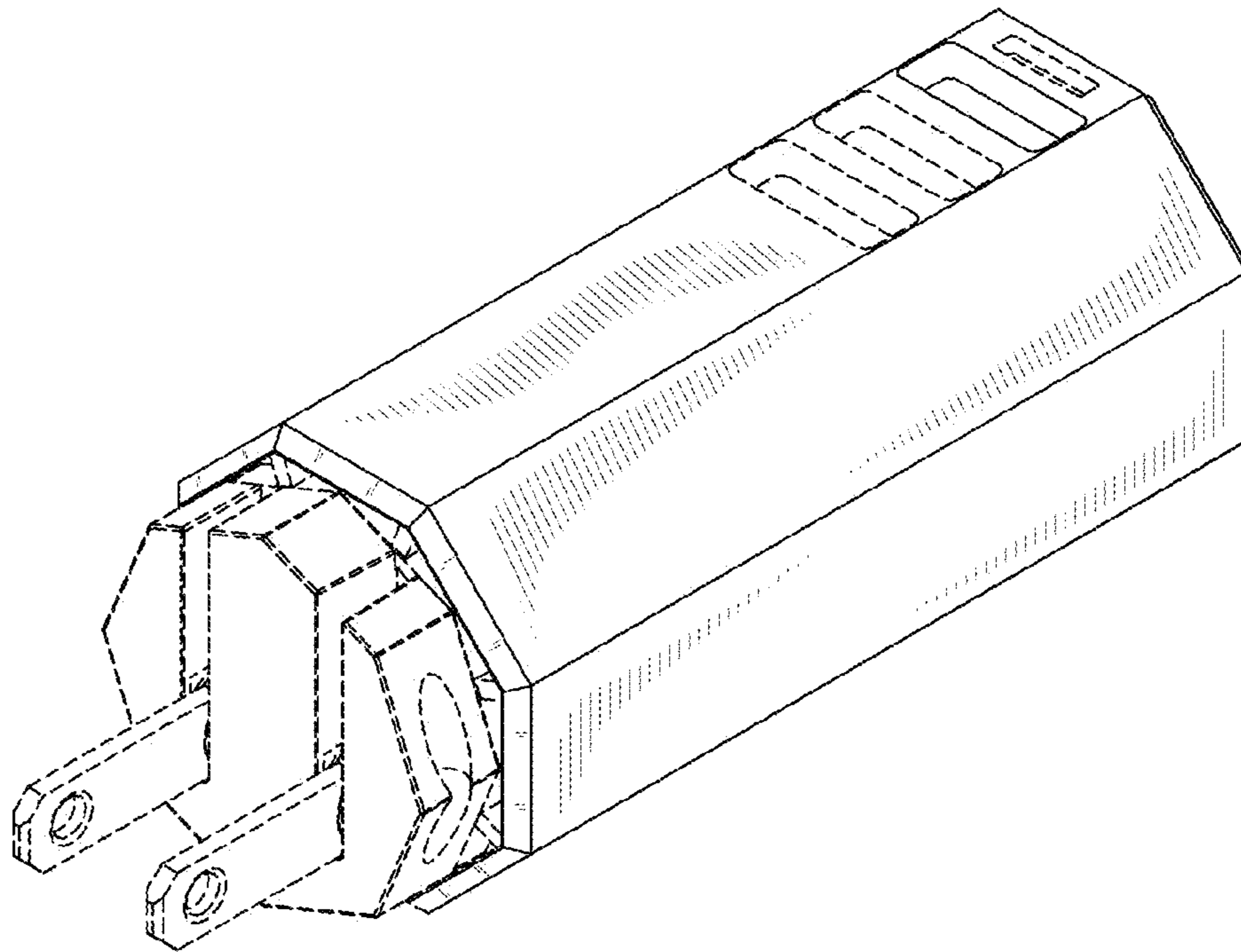


FIG. 22

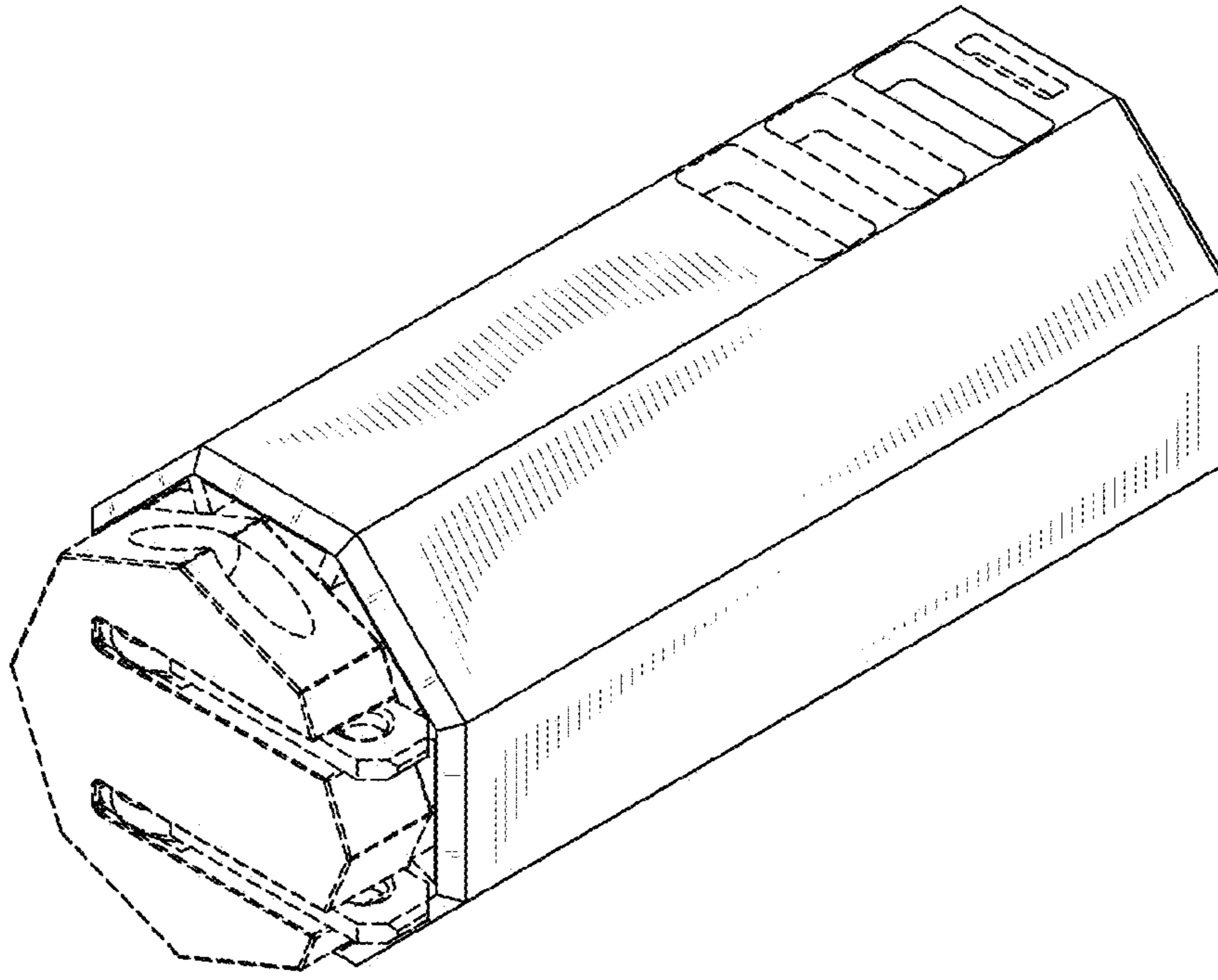


FIG. 23

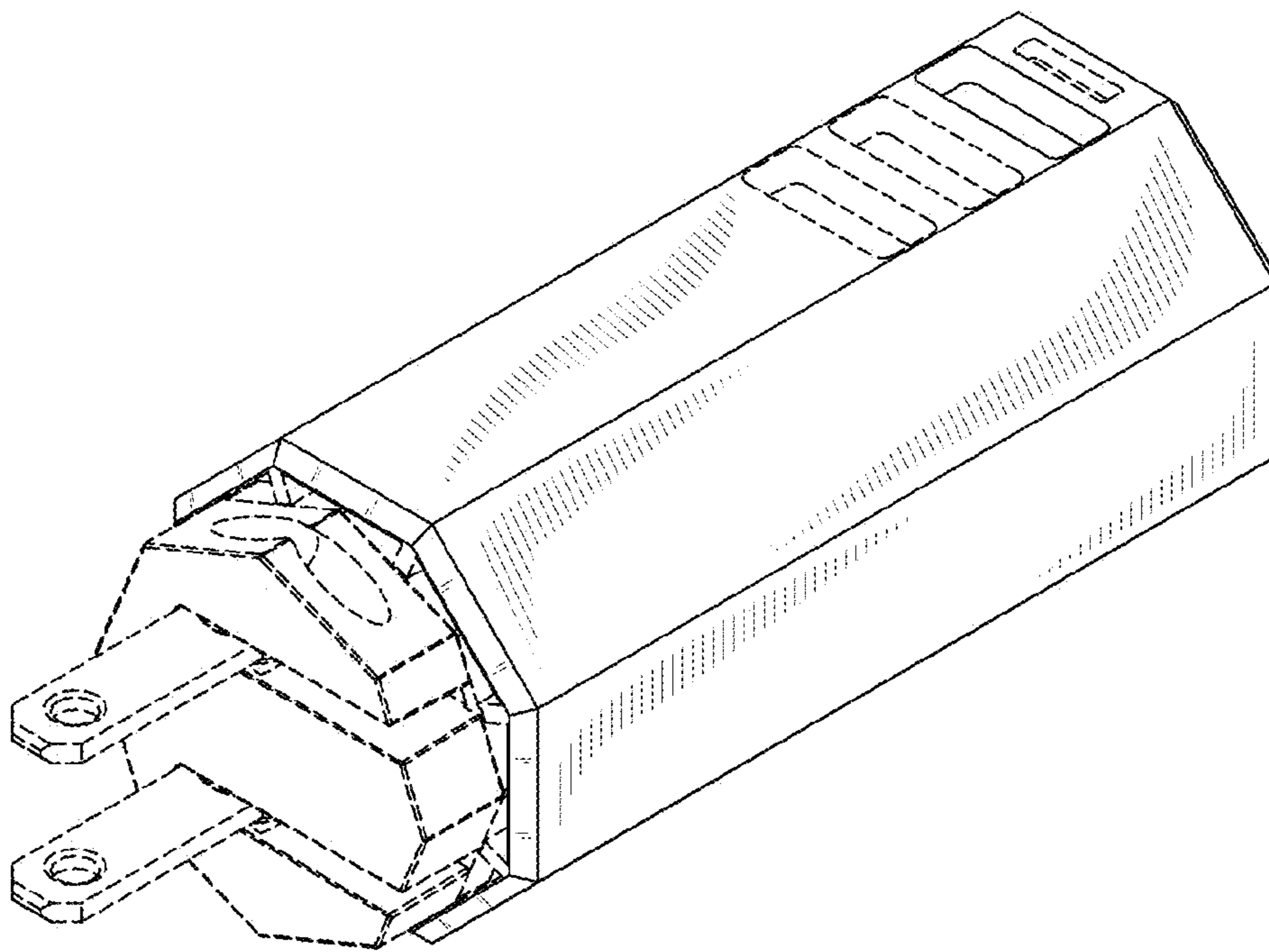


FIG. 24

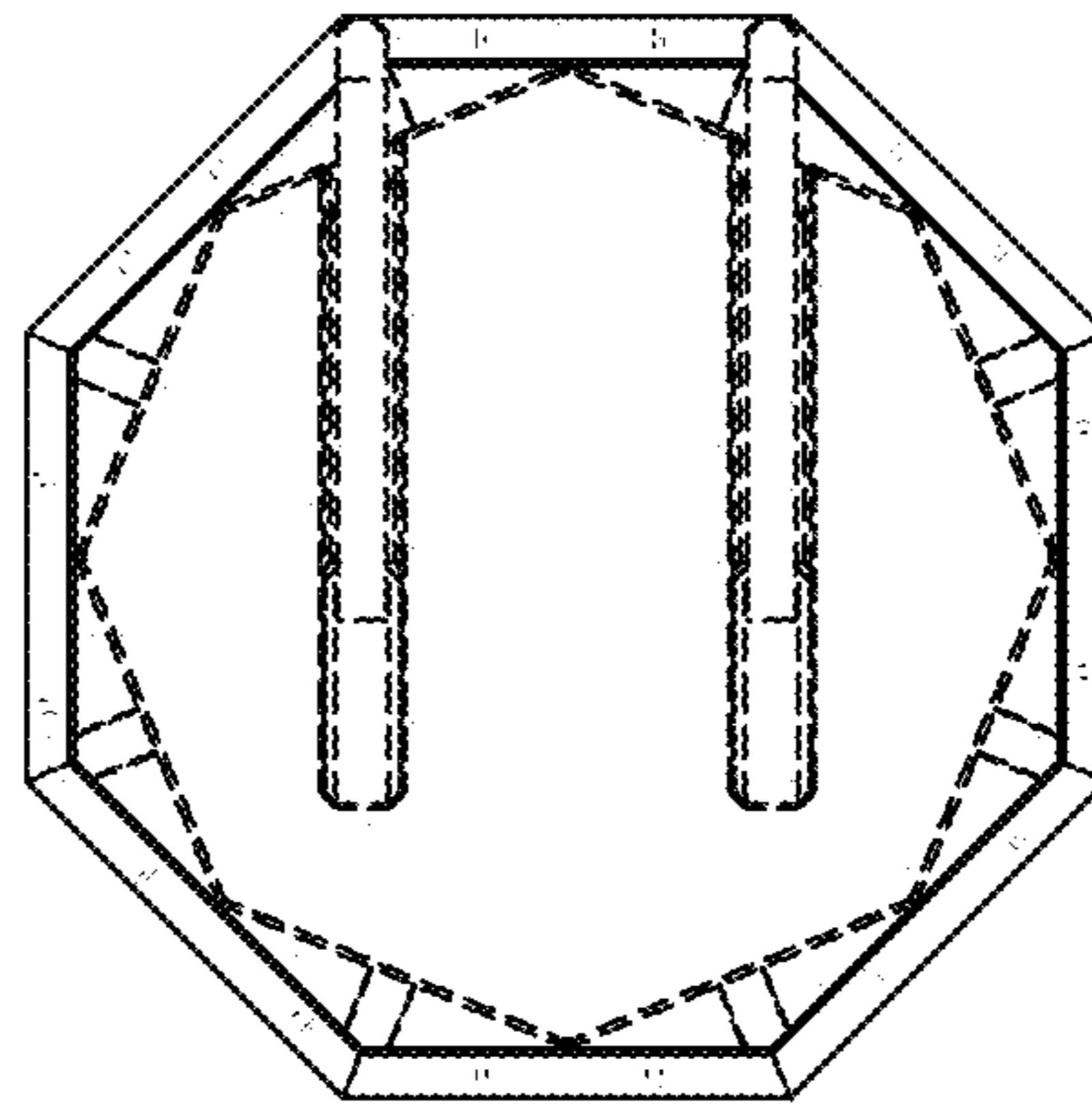


FIG. 25

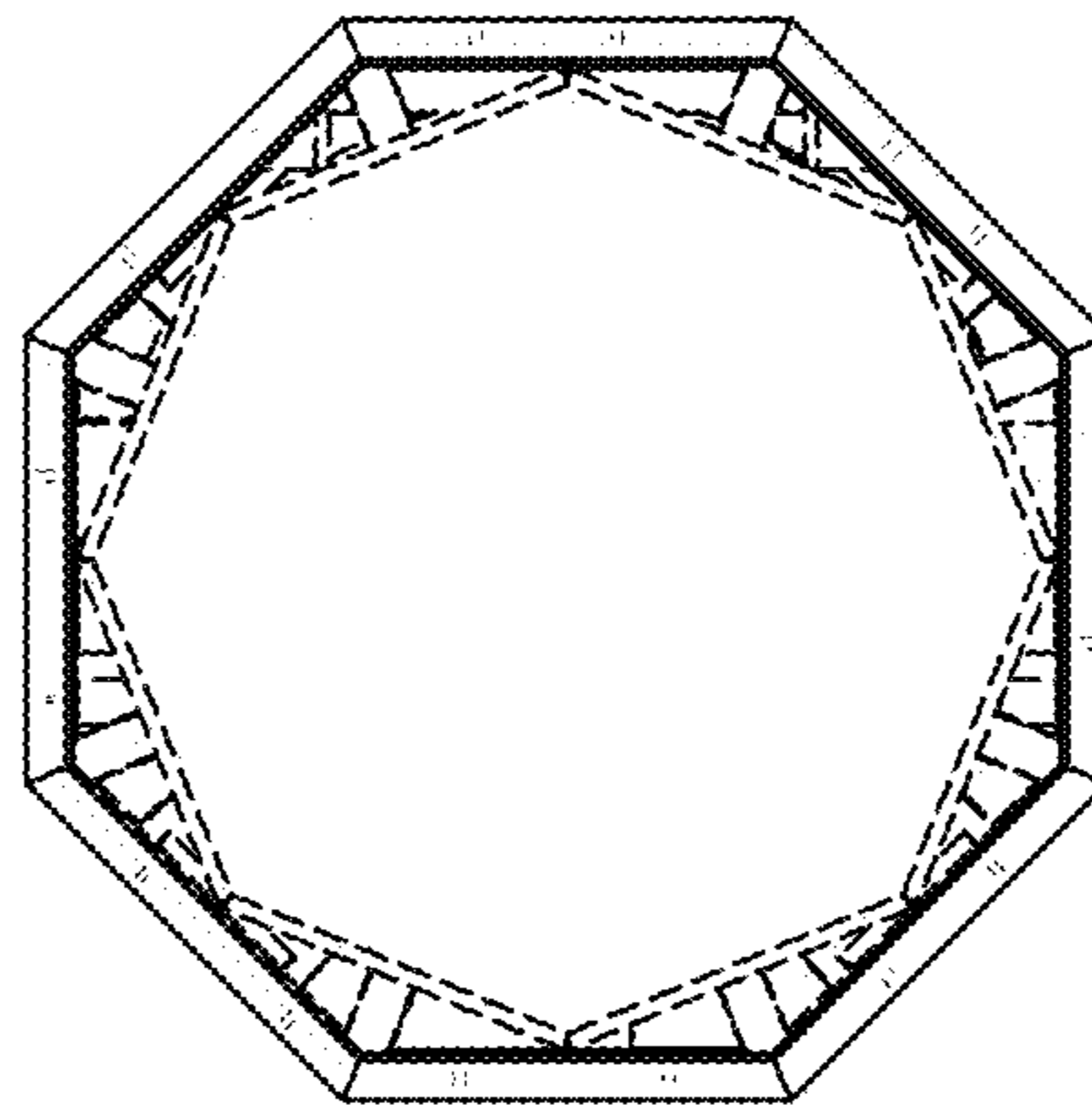


FIG. 26

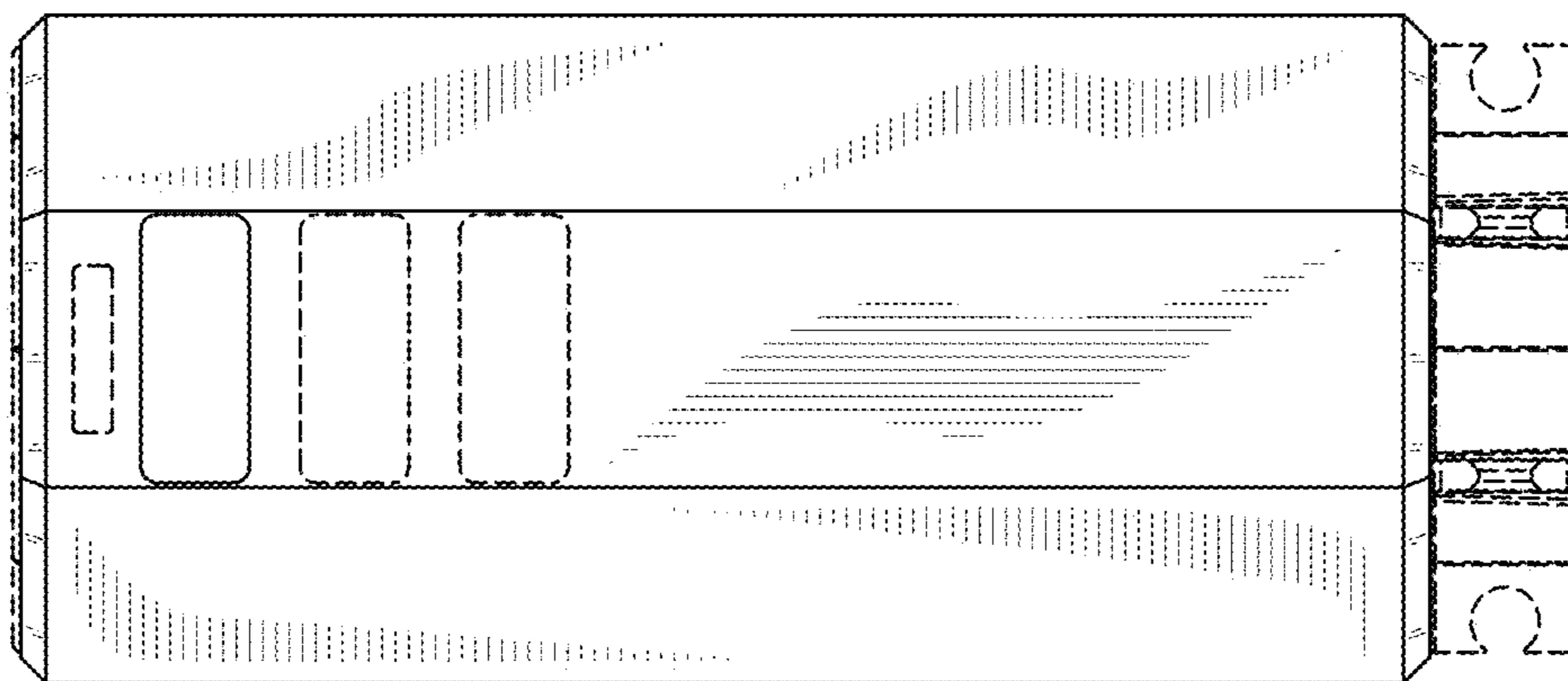


FIG. 27

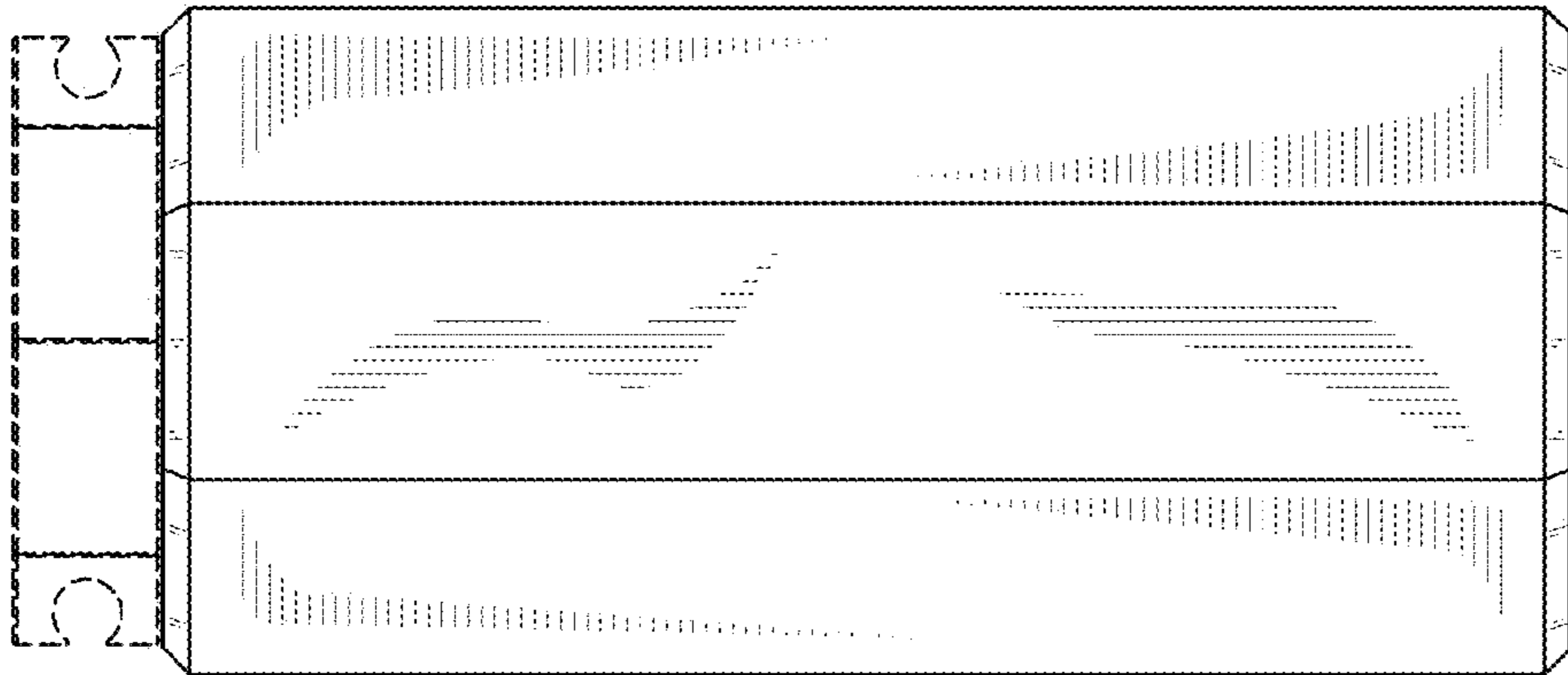


FIG. 28

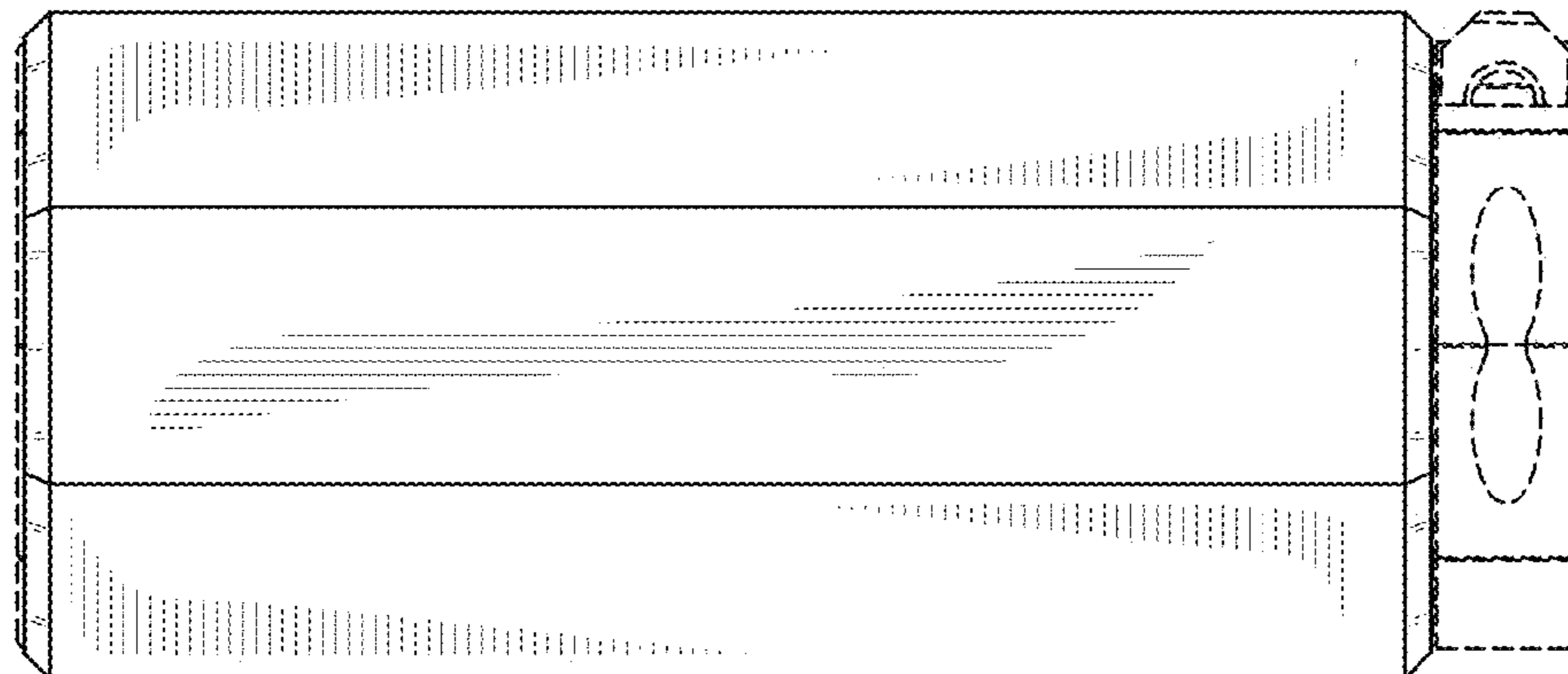


FIG. 29

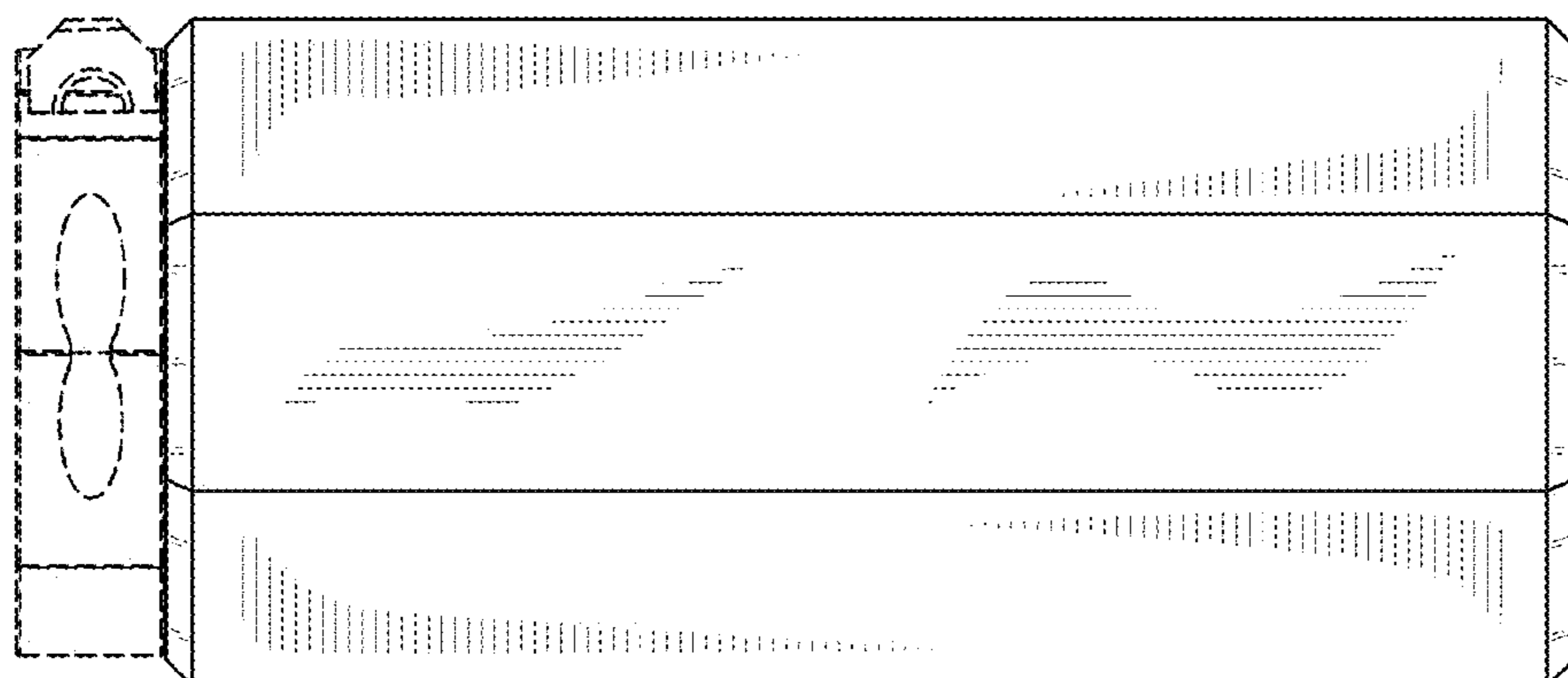


FIG. 30