



US00D762571S

(12) **United States Design Patent**
Lee et al.

(10) **Patent No.:** **US D762,571 S**
(45) **Date of Patent:** **** Aug. 2, 2016**

(54) **WIRELESS CHARGER FOR HEADSET**
(71) Applicant: **LG ELECTRONICS INC.**, Seoul (KR)
(72) Inventors: **Hophil Lee**, Seoul (KR); **Yooshin Ahn**,
Seoul (KR); **Seungbeom Park**, Seoul
(KR); **Hyunchul Kim**, Seoul (KR)
(73) Assignee: **LG Electronics Inc.**, Seoul (KR)
(**) Term: **14 Years**
(21) Appl. No.: **29/524,396**
(22) Filed: **Apr. 20, 2015**

(30) **Foreign Application Priority Data**
Oct. 21, 2014 (KR) 30-2014-0050497
(51) **LOC (10) Cl.** **13-02**
(52) **U.S. Cl.**
USPC **D13/108**
(58) **Field of Classification Search**
USPC D13/107-110, 118-119, 184; D14/251,
D14/253, 432, 434
CPC Y02E 60/12; Y02T 90/14; Y02T 90/122;
Y02T 90/128; Y02T 90/163; H02J 7/025;
H02J 7/0042; H02J 7/0044; H02J 7/0045;
H02J 7/0003; H01F 38/14; H01R 13/6675;
H01M 2/1022; H01M 2/1055; H01M 10/44;
H01M 10/46; H01M 10/425; B60L 11/182
See application file for complete search history.

(56) **References Cited**
U.S. PATENT DOCUMENTS
D620,884 S * 8/2010 Lee D13/108
D625,262 S * 10/2010 Lee D13/118
D636,724 S * 4/2011 Nomi D13/108
D654,431 S * 2/2012 Stephanchick D13/108
D654,866 S * 2/2012 Rautiainen D13/108
D668,605 S * 10/2012 Park D13/108

D694,182 S * 11/2013 Lee D13/108
D694,707 S * 12/2013 Zeng D13/108
D696,190 S * 12/2013 Brandtman D13/108
D697,027 S * 1/2014 Ho D13/108
D718,233 S * 11/2014 Aumiller D13/108
D718,236 S * 11/2014 Murray D13/108
D719,146 S * 12/2014 Herbst D14/253
D720,288 S * 12/2014 Ko D13/108
D720,289 S * 12/2014 Chiang D13/108
D725,034 S * 3/2015 Chen D13/108
D727,260 S * 4/2015 Aumiller D13/108
D735,131 S * 7/2015 Akana D13/108
D737,760 S * 9/2015 Kyriakoulis D13/108
D738,303 S * 9/2015 Symons D13/108
D740,750 S * 10/2015 Mayden D13/108
D741,256 S * 10/2015 Murphy-Reinhertz D13/108
D742,823 S * 11/2015 Nitz D13/103
D746,772 S * 1/2016 Aumiller D13/108

(Continued)

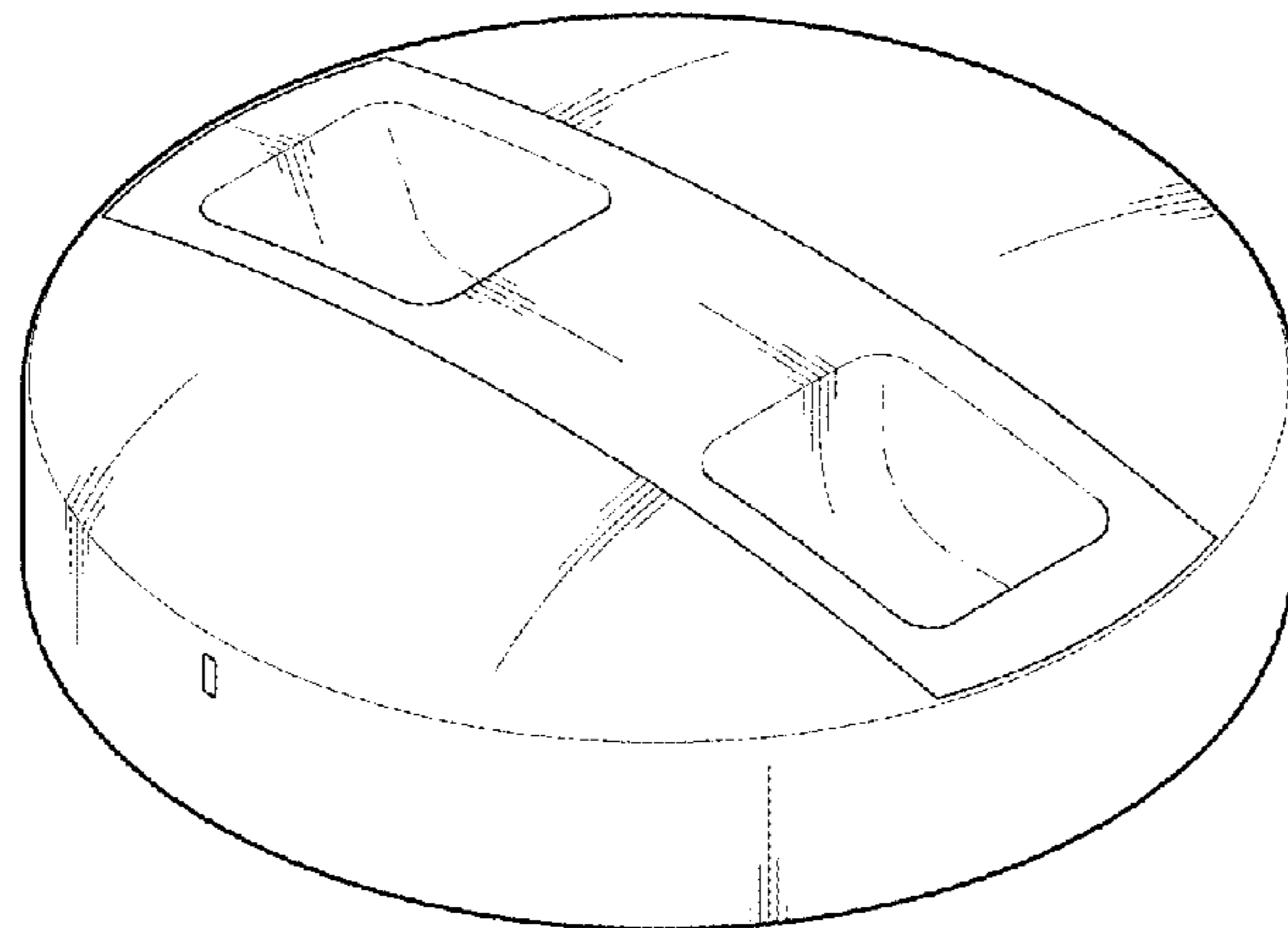
Primary Examiner — Rosemary K Tarcza
Assistant Examiner — Nathaniel D Buckner
(74) *Attorney, Agent, or Firm* — Birch, Stewart, Kolasch &
Birch, LLP

(57) **CLAIM**
The ornamental design for a wireless charger for headset, as
shown and described.

DESCRIPTION

FIG. 1 is a perspective view of a wireless charger for headset
showing our new design;
FIG. 2 is a front view thereof;
FIG. 3 is a rear view thereof;
FIG. 4 is a left side view thereof where the right side view is
a mirror image;
FIG. 5 is a top plan view thereof;
FIG. 6 is a bottom plan view thereof; and,
FIG. 7 is a reference view thereof showing the way of the
headset being attached to the subject design.
The broken lines in FIG. 7 show environmental structure only
and form no part of the claimed design.

1 Claim, 6 Drawing Sheets



US D762,571 S

Page 2

(56)

References Cited

U.S. PATENT DOCUMENTS

D747,267 S *	1/2016	Aumiller	D13/108	
D748,575 S *	2/2016	Bulgarov	D13/108	* cited by examiner
D749,044 S *	2/2016	Huang	D13/108	
D749,504 S *	2/2016	Jeong	D13/108	
D752,051 S *	3/2016	Chen	D14/434	

FIG. 1

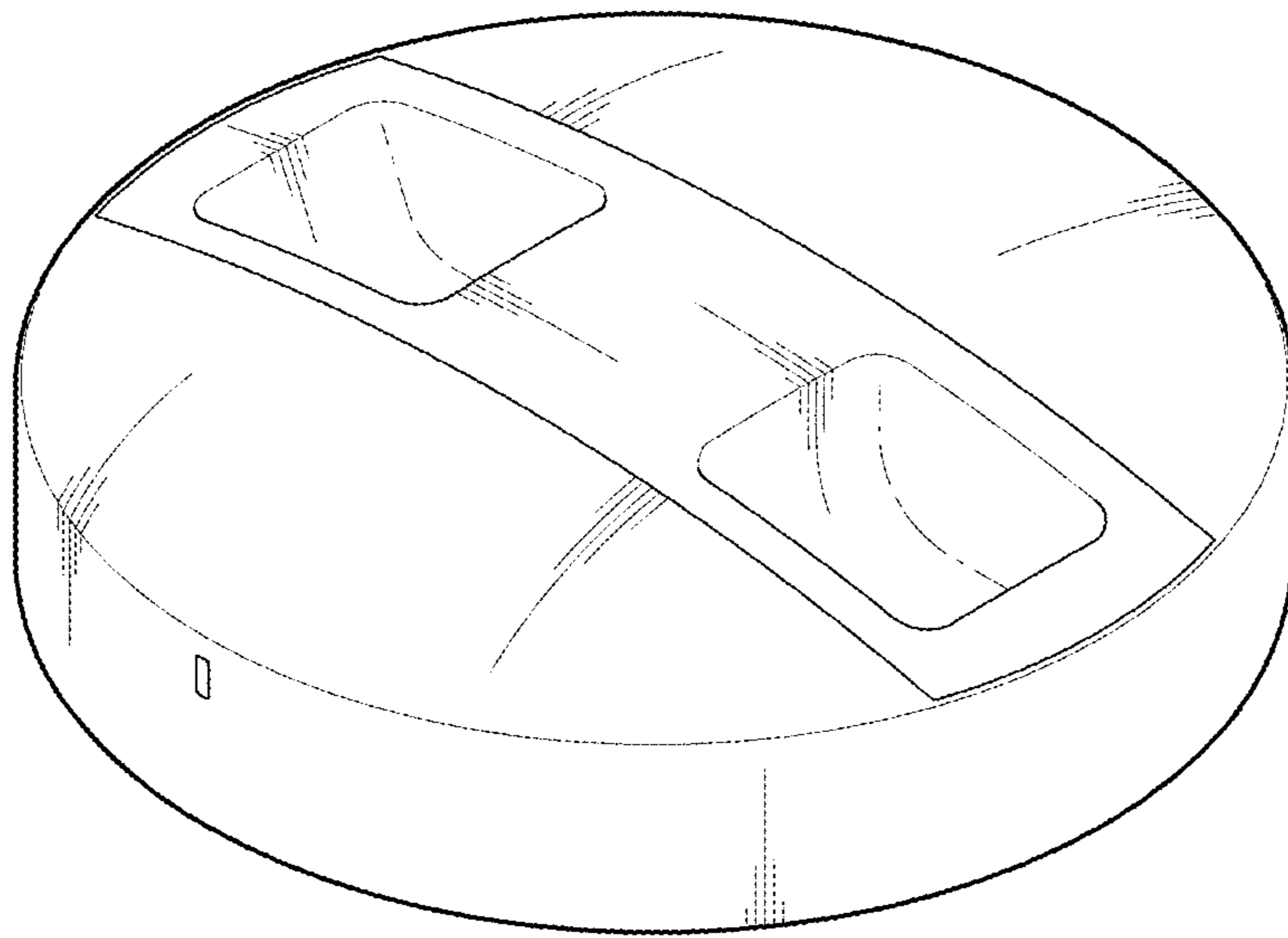


FIG. 2

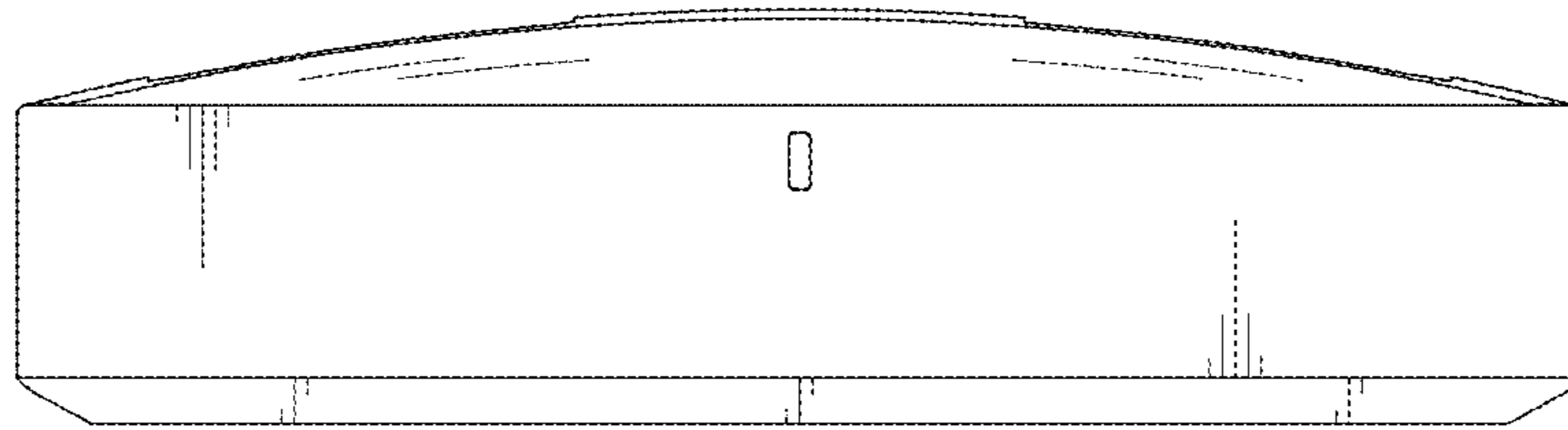


FIG. 3

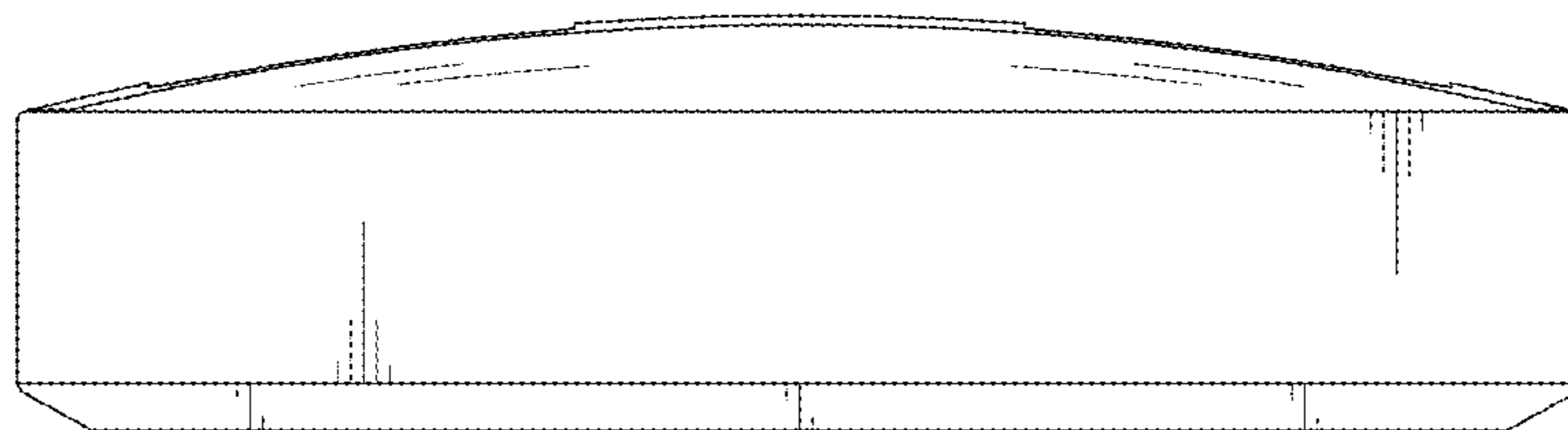


FIG. 4

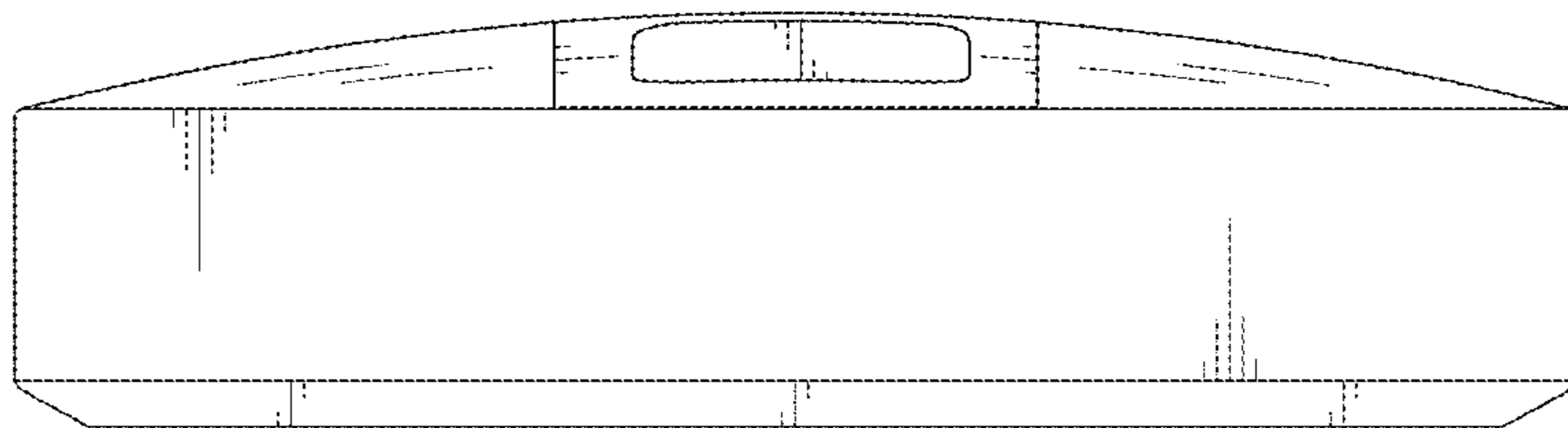


FIG. 5

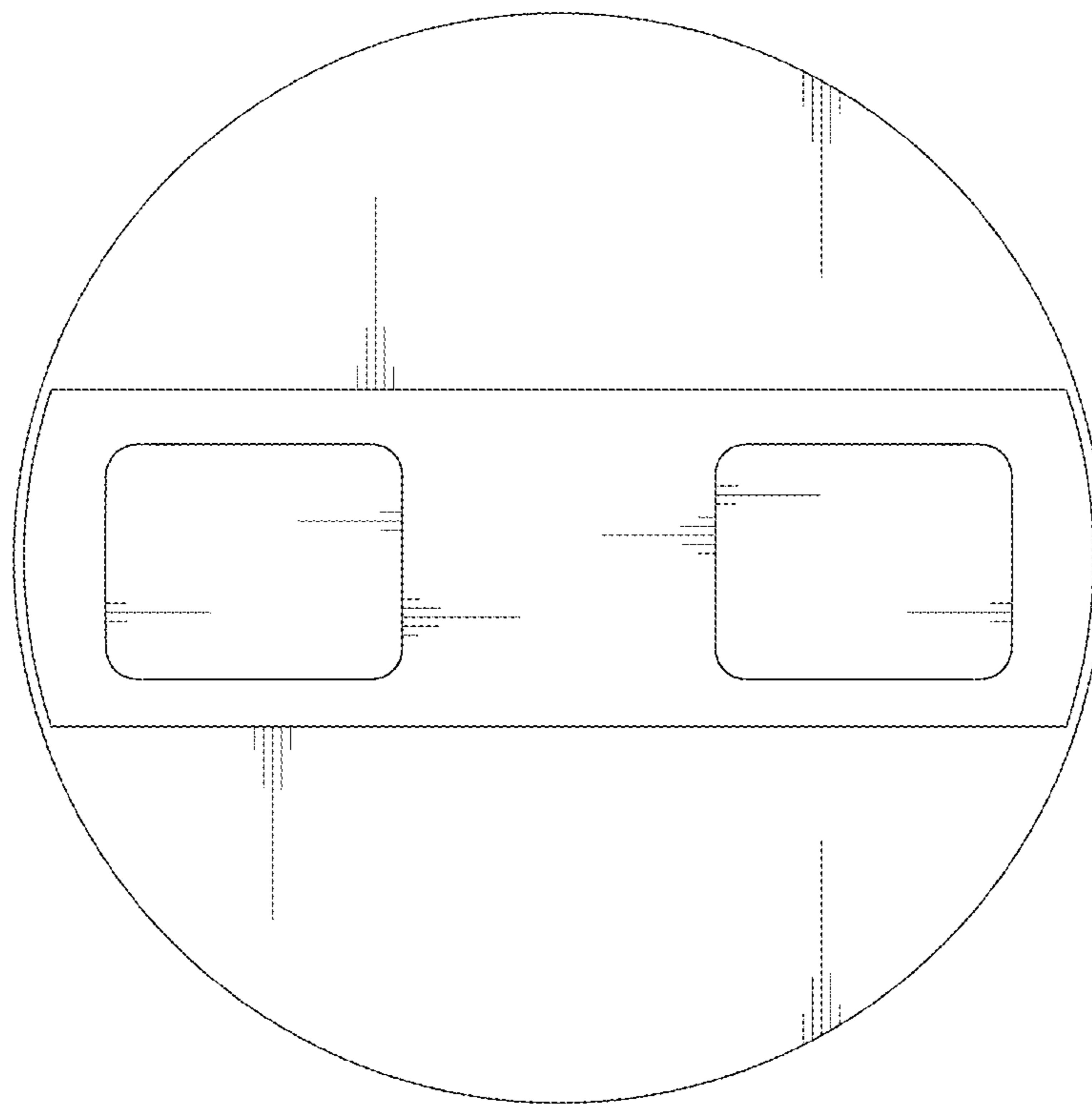


FIG. 6

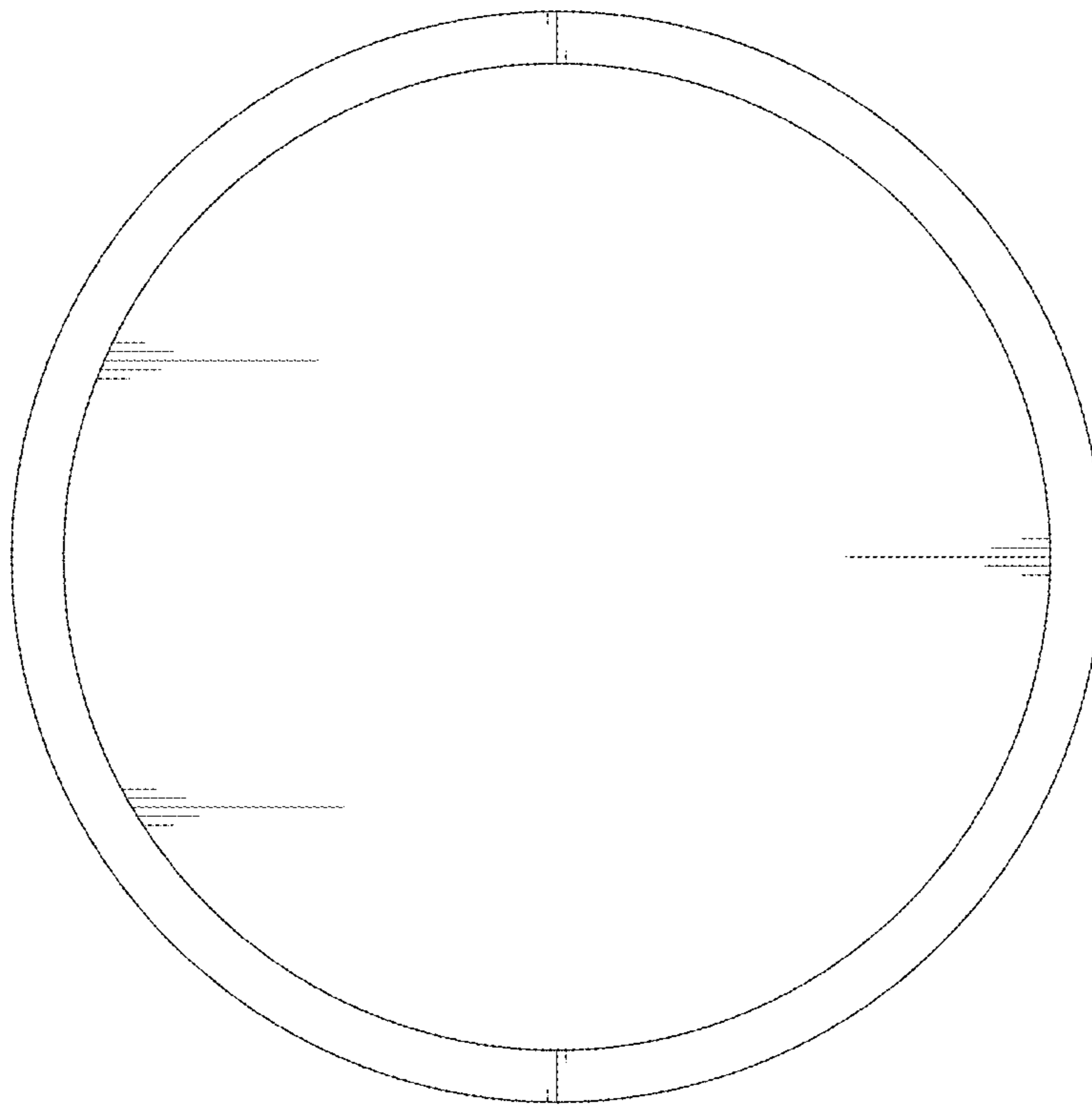


FIG. 7

