



US00D762570S

(12) **United States Design Patent**
Precheur

(10) **Patent No.:** **US D762,570 S**
(45) **Date of Patent:** **** Aug. 2, 2016**

(54) **CHARGER**

- (71) Applicant: **Asian Express Holdings Limited**,
Mongkok, Kowloon (HK)
- (72) Inventor: **Harry David Precheur**, Naples, FL
(US)
- (73) Assignee: **Asian Express Holdings Limited** (HK)
- (**) Term: **14 Years**
- (21) Appl. No.: **29/486,776**
- (22) Filed: **Apr. 2, 2014**
- (51) **LOC (10) Cl.** **13-02**
- (52) **U.S. Cl.**
USPC **D13/108**
- (58) **Field of Classification Search**
USPC D13/107–110, 118–119, 184, 199;
D14/251, 253, 432, 434
CPC Y02E 60/12; Y02T 90/14; Y02T 90/122;
Y02T 90/128; Y02T 90/163; H02J 7/025;
H02J 7/0042; H02J 7/0044; H02J 7/0045;
H02J 7/0003; H01F 38/14; H01R 13/6675;
H01M 2/1022; H01M 1/1055; H01M 10/44;
H01M 10/46; H01M 10/425; B60L 11/182
See application file for complete search history.

(56) **References Cited**

U.S. PATENT DOCUMENTS

D247,619	S *	3/1978	Edgell	D13/103
D339,563	S *	9/1993	Usami	D13/107
D367,257	S *	2/1996	Buelow	D13/110
5,611,701	A *	3/1997	Hahn	H01R 24/66
					439/131
D442,544	S *	5/2001	Ku	D13/107
D562,231	S *	2/2008	Osiecki	D13/107
7,503,779	B1 *	3/2009	Yang	H01R 35/04
					439/131
D596,562	S *	7/2009	Hong	D13/108
7,619,388	B1	11/2009	Nana		
D638,355	S *	5/2011	Chen	D13/110

(Continued)

FOREIGN PATENT DOCUMENTS

CN	202772634	3/2013
CN	203481857	3/2014

(Continued)

OTHER PUBLICATIONS

International Search Report & Written Opinion for application No. PCT/US2015/029541, mailed on Aug. 27, 2015.

(Continued)

Primary Examiner — Rosemary K Tarcza

(74) *Attorney, Agent, or Firm* — Knobbe, Martens, Olson & Bear, LLP

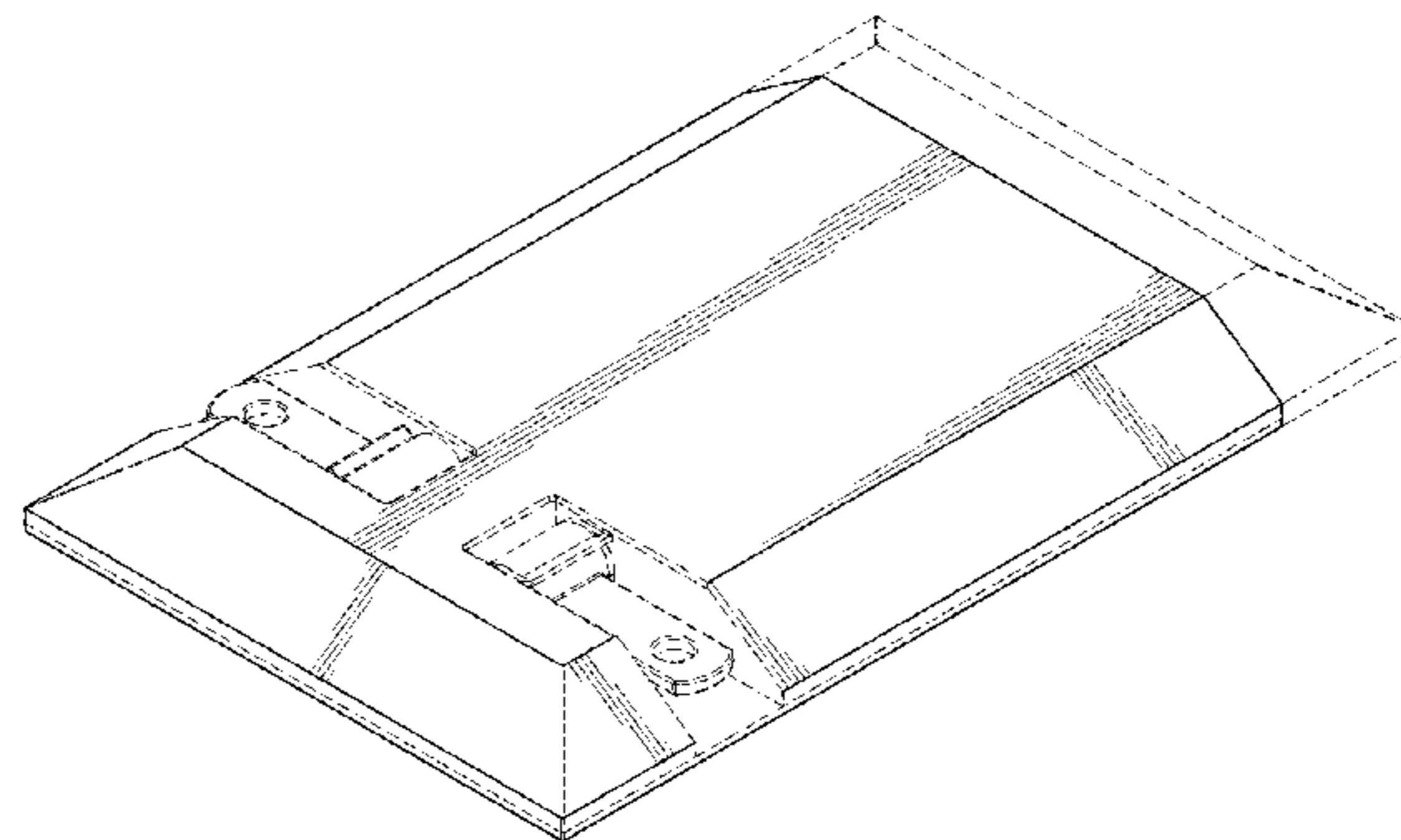
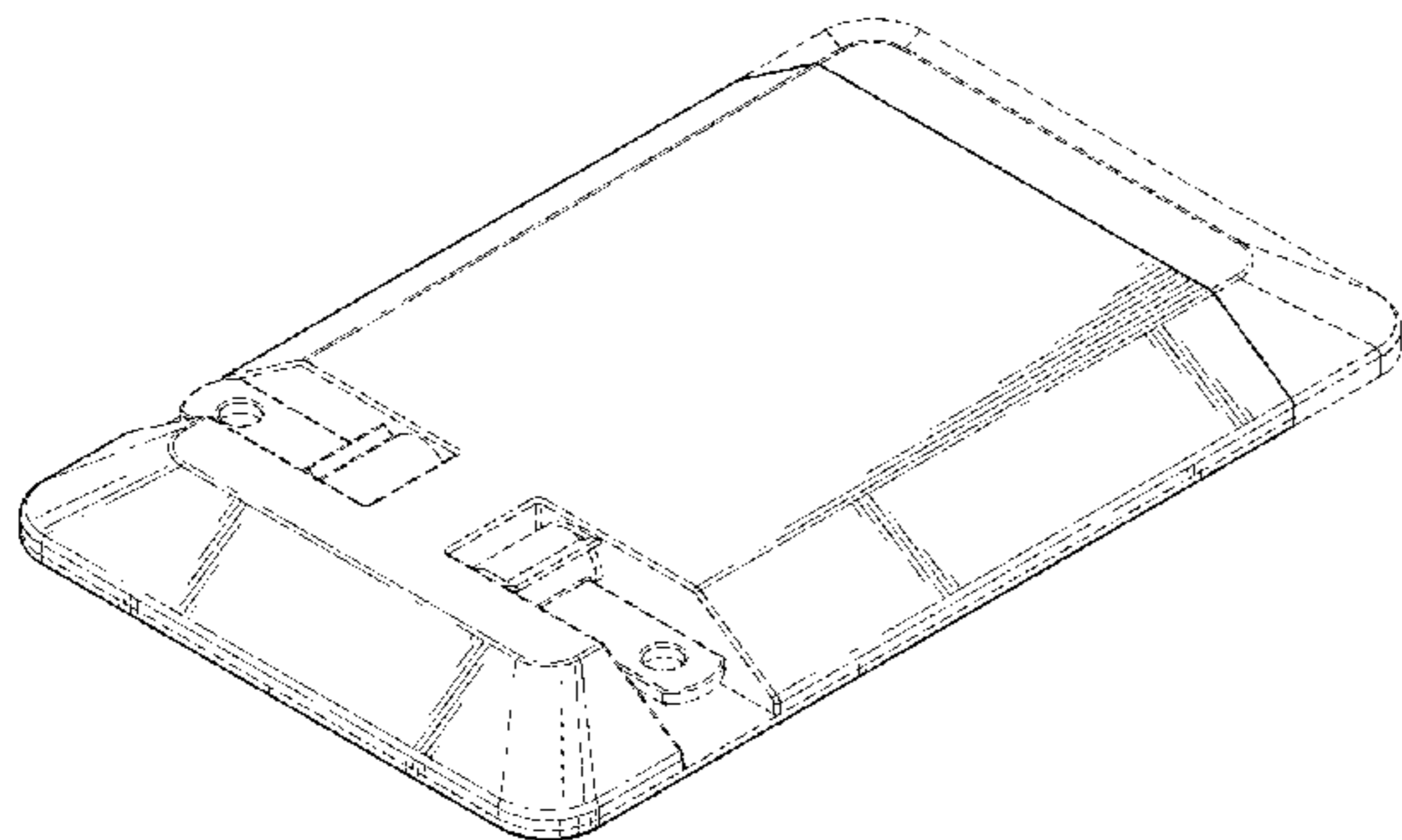
(57) **CLAIM**

The ornamental design for a charger, as shown and described.

DESCRIPTION

FIG. 1 is a bottom perspective view of a charger thereof showing an embodiment of my new design;
 FIG. 2 is a top perspective view thereof;
 FIG. 3 is a front elevational view thereof;
 FIG. 4 is a left side elevational view thereof, the right side elevational view being a mirror image thereof;
 FIG. 5 is a bottom plan view thereof; and
 FIG. 6 is a top plan view thereof.
 FIG. 7 is a bottom perspective view of a charger thereof showing another embodiment of my new design;
 FIG. 8 is a top perspective view thereof;
 FIG. 9 is a front elevational view thereof;
 FIG. 10 is a left side elevational view thereof, the right side elevational view being a mirror image thereof;
 FIG. 11 is a bottom plan view thereof; and
 FIG. 12 is a top plan view thereof.
 The broken lines in the Figures show portions of the charger which form no part of the claimed design.

1 Claim, 6 Drawing Sheets



(56)

References Cited

U.S. PATENT DOCUMENTS

D638,356 S * 5/2011 Chen D13/110
 D652,381 S * 1/2012 Tien D13/110
 D664,091 S * 7/2012 Pliner D13/108
 D666,968 S * 9/2012 Huang D13/110
 D669,029 S * 10/2012 Huang D13/110
 D676,382 S * 2/2013 McSweyn D13/108
 D677,223 S * 3/2013 Cho D13/110
 D683,310 S * 5/2013 McSweyn D13/108
 D687,375 S * 8/2013 Franco D13/108
 8,536,827 B2 9/2013 Gourley
 D693,764 S * 11/2013 Hok Man D13/108
 D695,214 S * 12/2013 Roberts D13/107
 D723,457 S * 3/2015 Sorias D13/107
 2003/0218445 A1 11/2003 Behar
 2004/0212343 A1* 10/2004 Sakai H01R 35/045
 320/111
 2005/0269987 A1 12/2005 Lin
 2007/0210749 A1 9/2007 Hsieh
 2011/0097911 A1 4/2011 Lee et al.
 2012/0049800 A1 3/2012 Johnson et al.
 2013/0150134 A1* 6/2013 Pliner H02J 7/0042
 455/573

FOREIGN PATENT DOCUMENTS

DE 202007006577 U1 10/2007
 JP 2014-068455 4/2014
 WO WO 2012/097118 7/2012

OTHER PUBLICATIONS

Janet Cloninger, You can forget the phone charger with this iPhone case, www.the-gadgeteer.com/2014/02/03/you-can-forget-the-phone-charger-with-this-iphone-case/, Feb. 3, 2014.
 Gadgetsin.com, Cordless wall iphone charger, www.gadgetsin.com/cordless-wall-iphone-charger.htm, May 31, 2010.
 Harmeet Kaur, JuiceTank—An iPhone® Case or a Charger?, news.techgenie.com/latest/juicetank-an-iphone-case-or-a-charger/, publication date unknown.
 Louis Goddard, 'World's smallest' iPhone charger lets you plug straight into the wall, www.theverge.com/2012/6/27/3120261/juicebuddy-iphone-charger, Jun. 27, 2012.
 Global Sources, Flip Wall Charger for iPhone 5, ksentry.manufacturer.globalsources.com/si/6008837134660/pdtl/Charger-for-1066887746/Flip-Wall-Charger-for-iPhone-5.htm, publication date unknown.

* cited by examiner

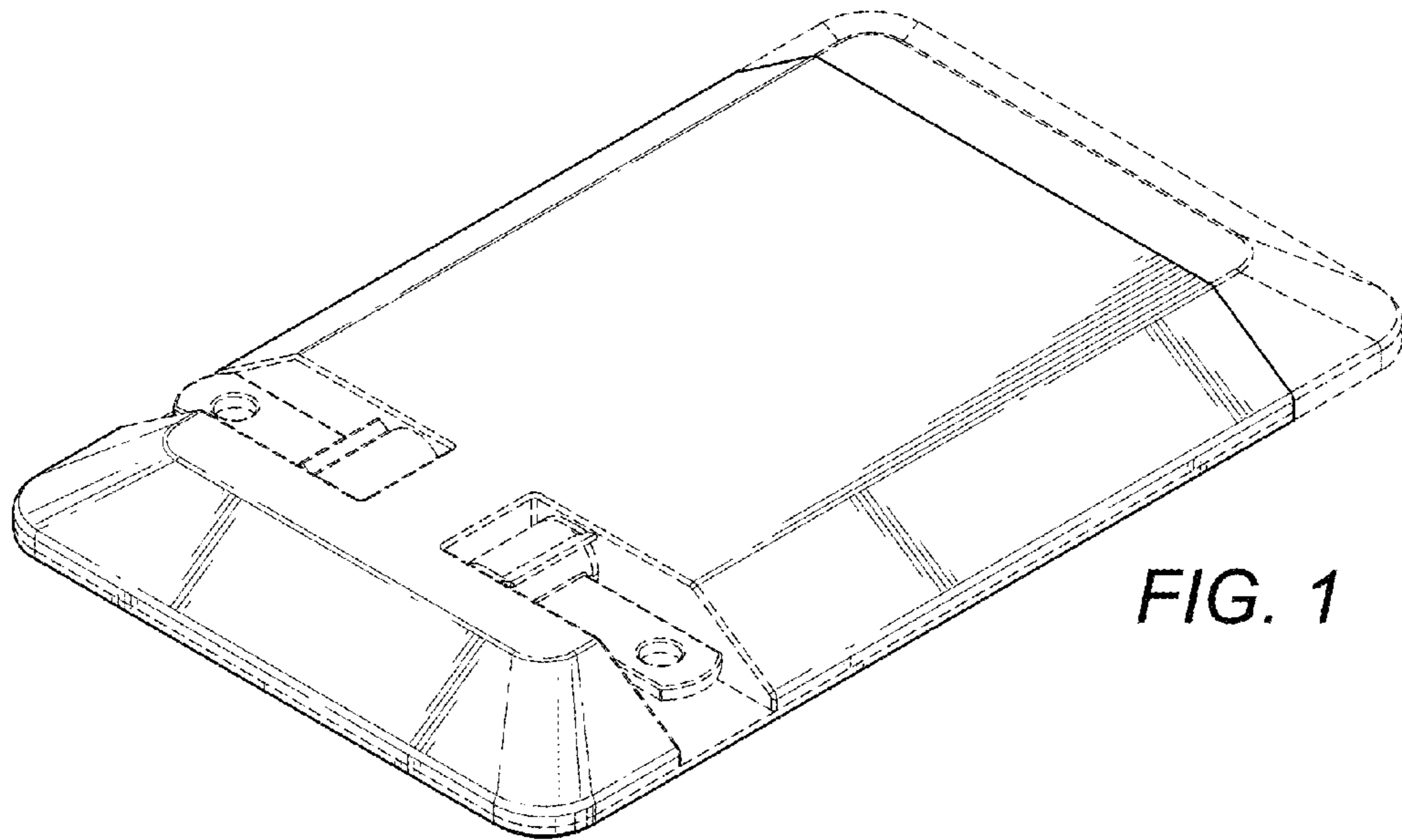


FIG. 1

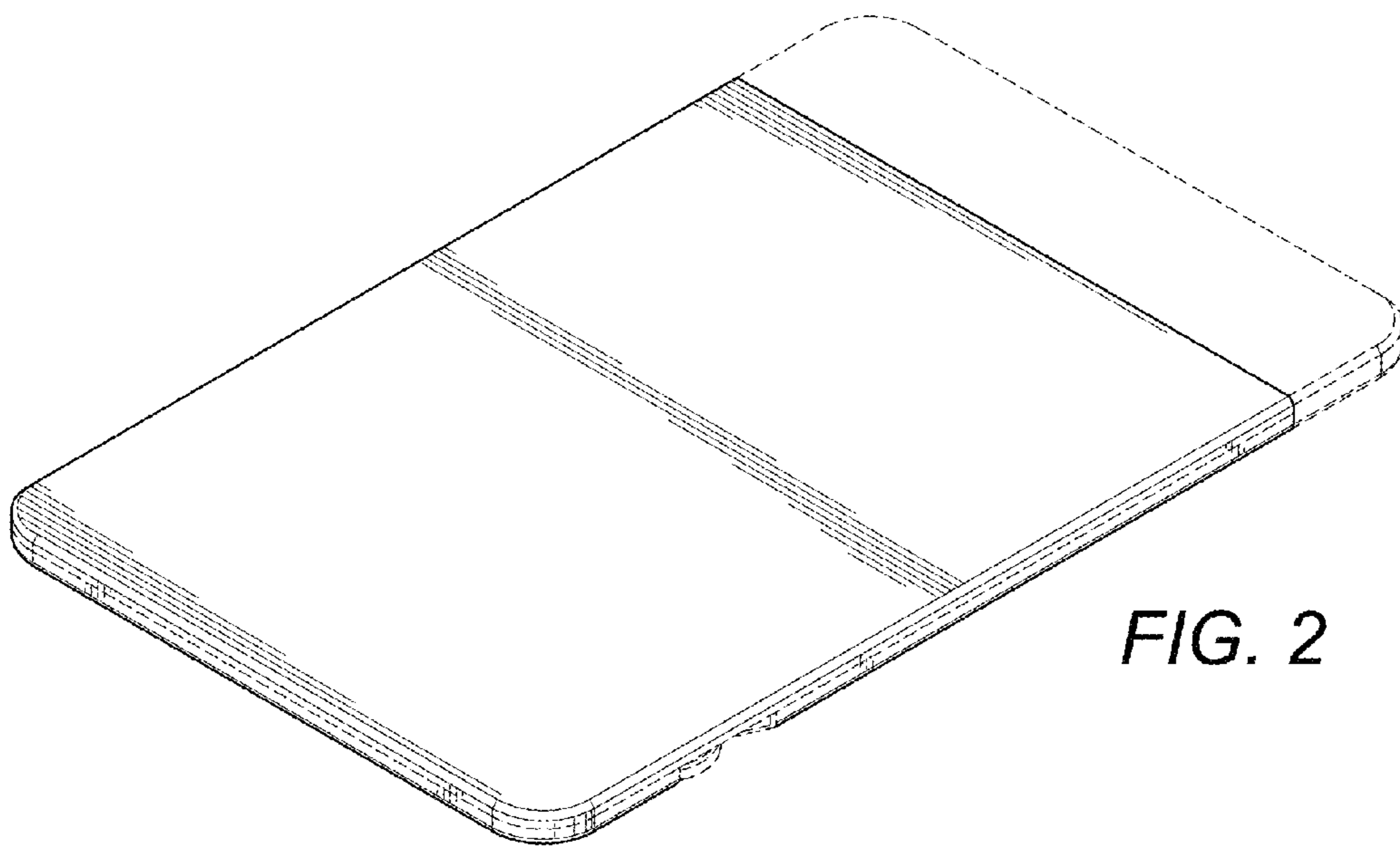


FIG. 2

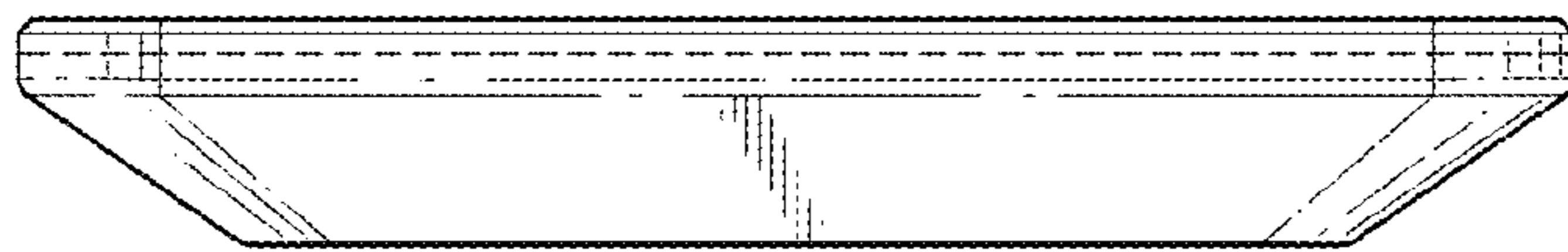


FIG. 3

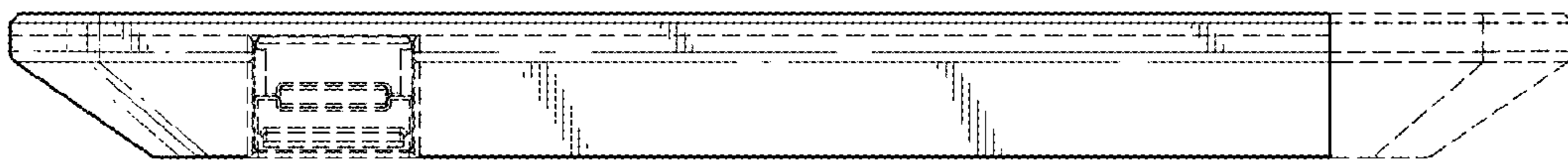


FIG. 4

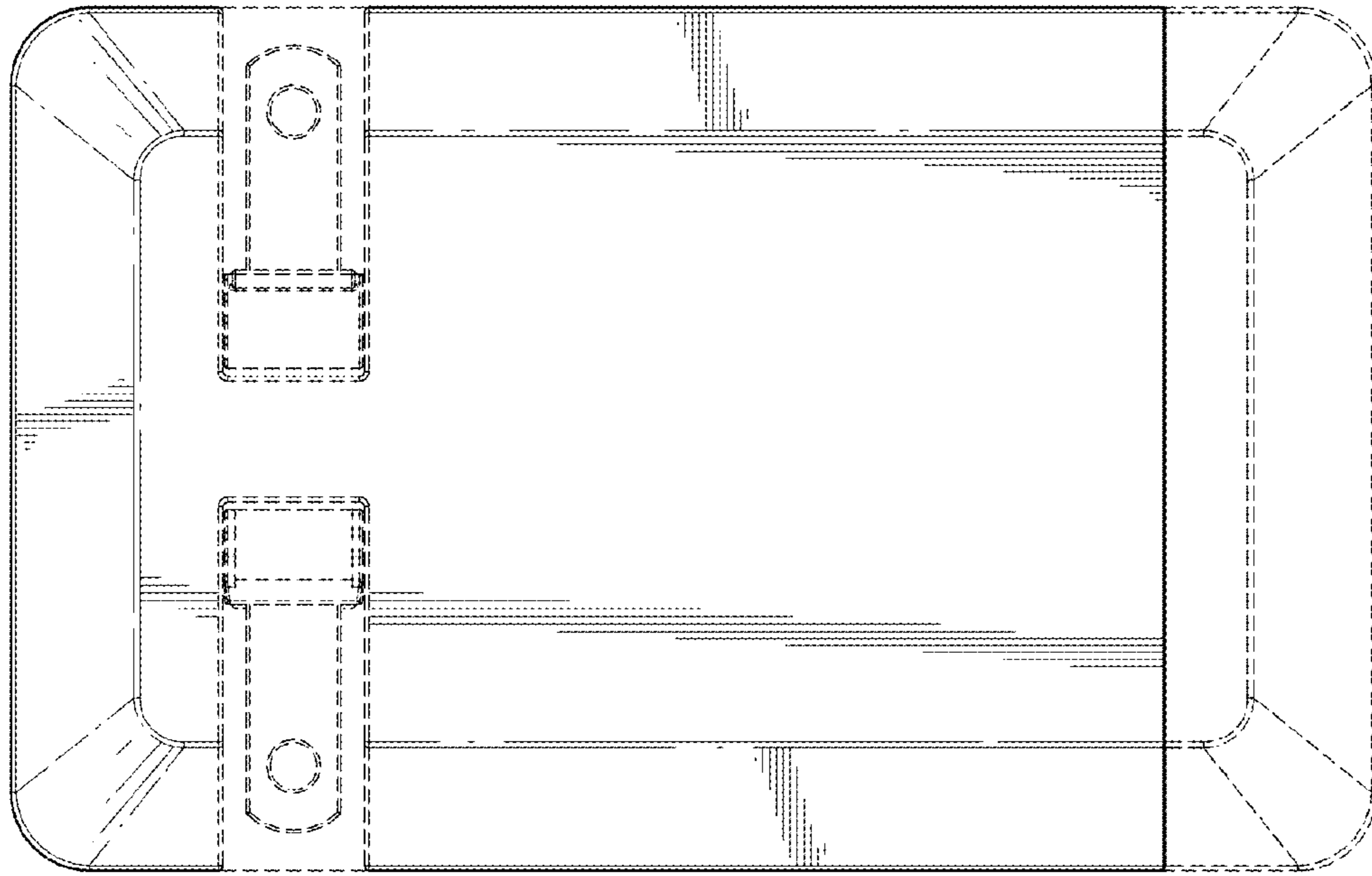


FIG. 5

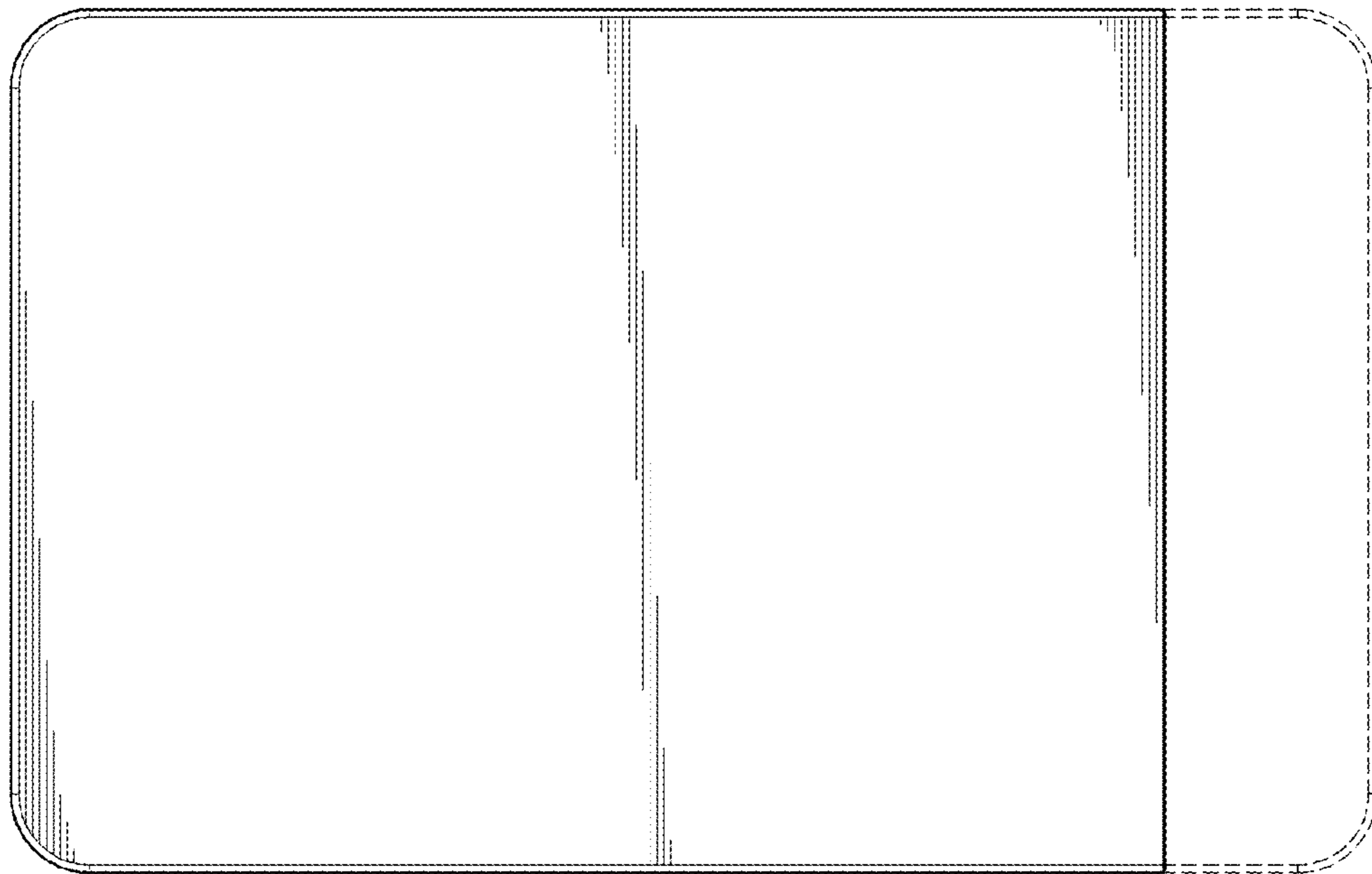


FIG. 6

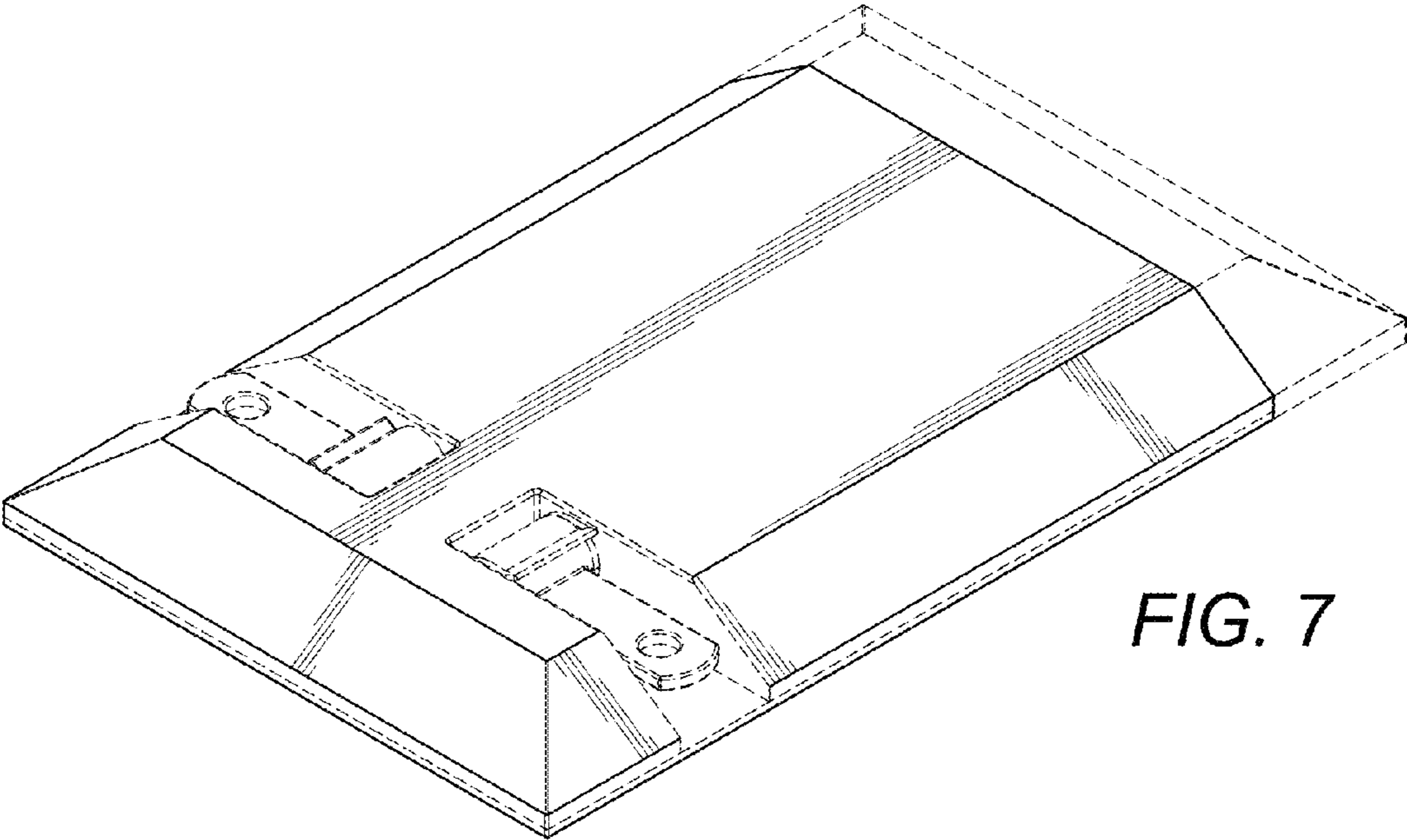


FIG. 7

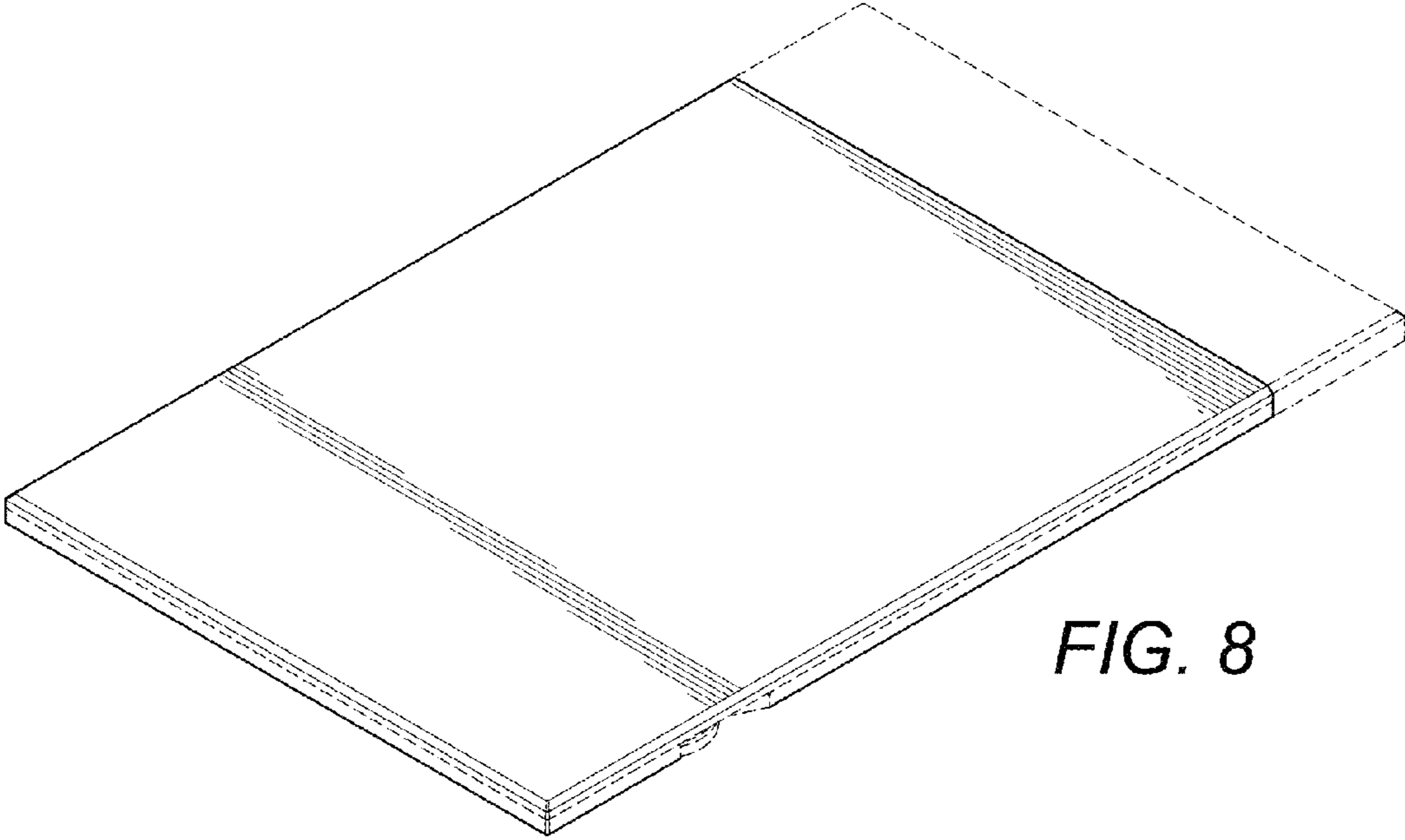


FIG. 8

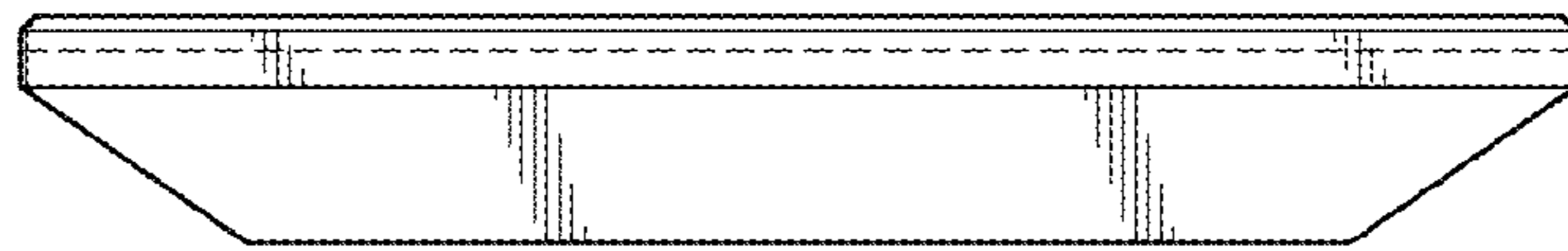


FIG. 9

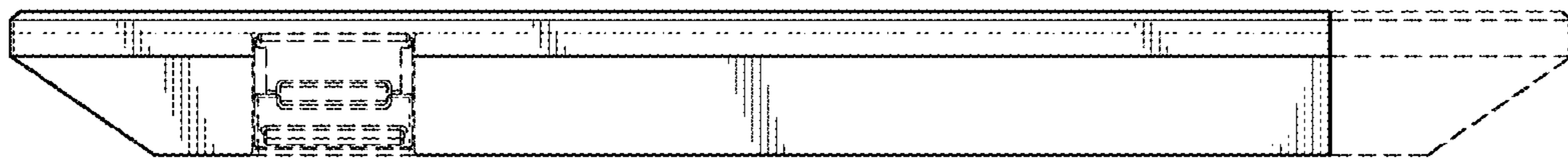


FIG. 10

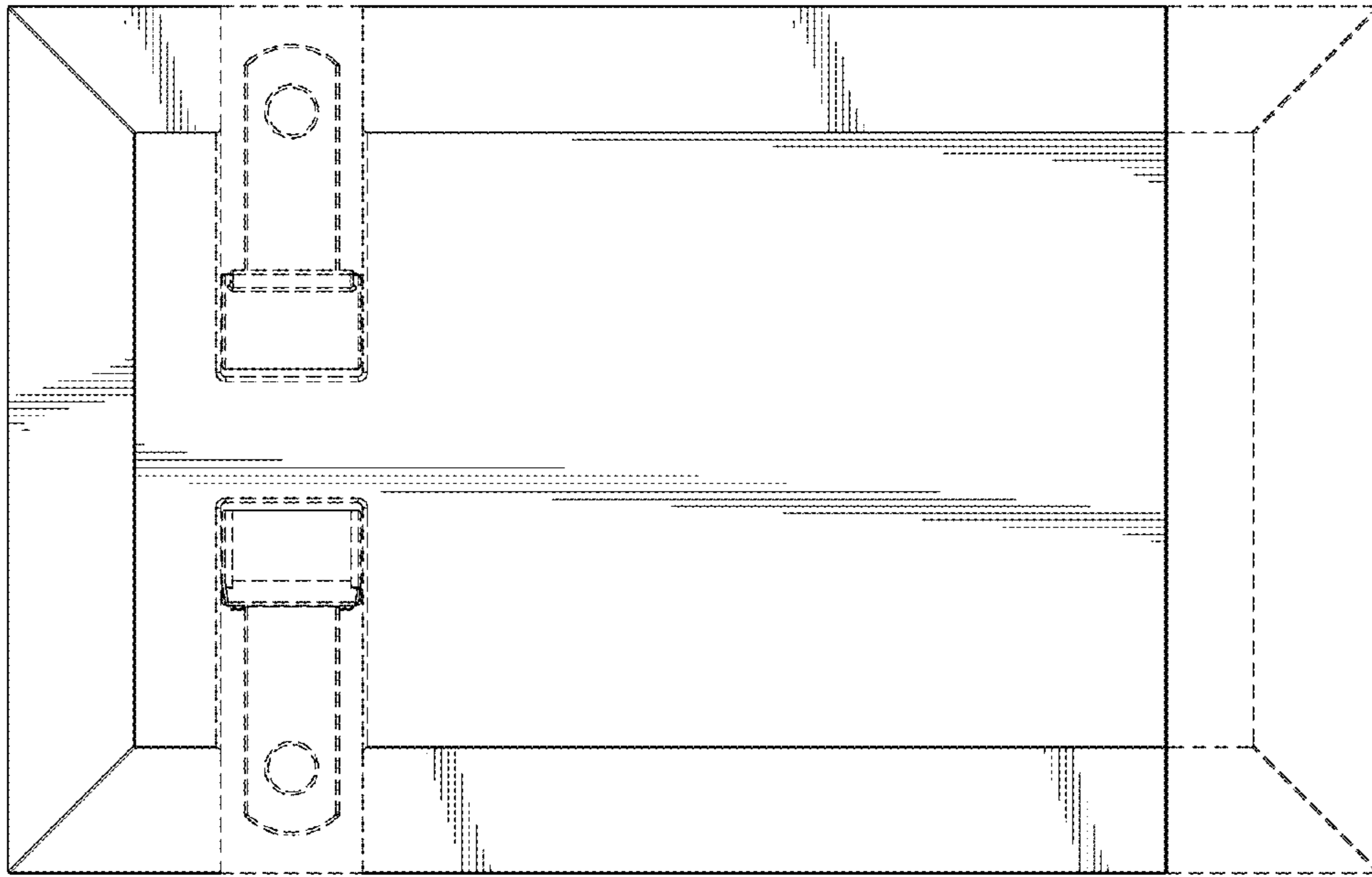


FIG. 11

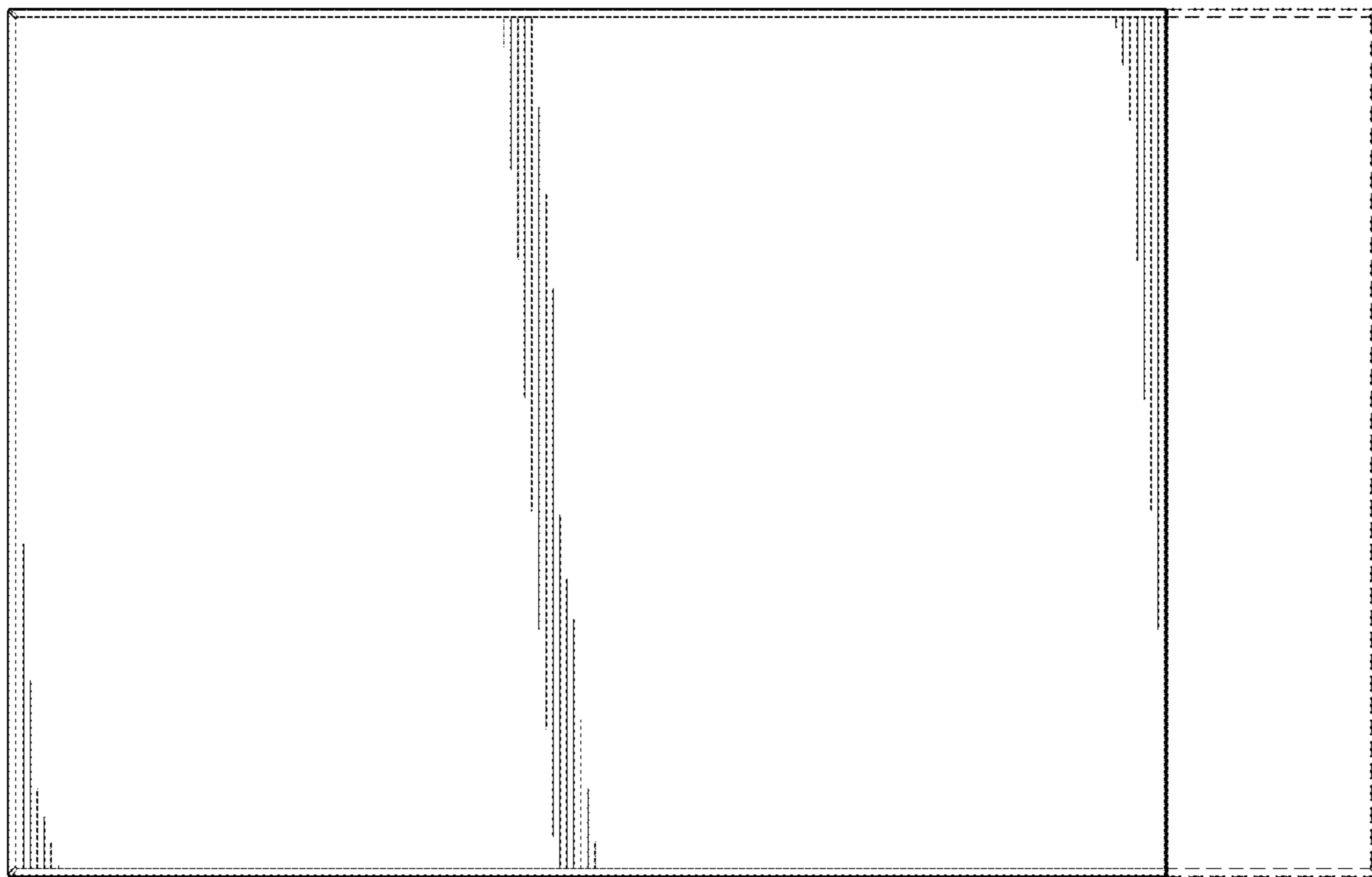


FIG. 12