

US00D762569S

(12) **United States Design Patent**
Arends et al.

(10) **Patent No.:** **US D762,569 S**
(45) **Date of Patent:** **** Aug. 2, 2016**

(54) **BATTERY CHARGER**

(71) Applicant: **Horizon Hobby, LLC**, Champaign, IL (US)

(72) Inventors: **Gregory Arends**, Mahomet, IL (US);
Mark Reed, Champaign, IL (US)

(73) Assignee: **Horizon Hobby, LLC**, Champaign, IL (US)

(**) Term: **14 Years**

(21) Appl. No.: **29/476,008**

(22) Filed: **Dec. 10, 2013**

(51) **LOC (10) Cl.** **13-02**

(52) **U.S. Cl.**
USPC **D13/107**

(58) **Field of Classification Search**
USPC D13/102-106, 110, 118-119, 184,
D13/107-108; D14/96-100, 163, 176
CPC Y02E 60/12; Y02E 60/122; Y02E 60/124;
Y02E 60/50; H01M 2/02; H01M 2/022;
H01M 2/0202; H01M 2/0207; H01M 2/0212;
H01M 2/1061; H01M 2/1022; H01M 2/1055;
H01M 2/1066; H01M 2/105; H01M 2/204;
H01M 10/4257; H01M 10/0436; H01M 10/48;
H01M 10/44; H01M 10/46; H01M 10/465;
H01M 10/482; H01M 2200/30; H01M
2250/30; H01M 2250/40; H02J 7/00; H02J
7/0003; H02J 7/0011; H02J 7/0013; H02J
7/0054; H02J 7/0055; H02J 7/0057; H02J
2007/0062

See application file for complete search history.

(56) **References Cited**

U.S. PATENT DOCUMENTS

D177,699 S * 5/1956 Schultz D10/103
D225,581 S * 12/1972 Danti D13/110
D239,934 S * 5/1976 Joseph D10/75

(Continued)

OTHER PUBLICATIONS

Ultra Micro4, [online], [site visited Mar. 8, 2015]. Available from Internet, <URL:http://www.horizonhobby.com/ultra-micro-4-4x9w--ac-dc-battery-charger-p-eflc1105a>.*

Primary Examiner — Rosemary K Tarca

Assistant Examiner — Sanjeev Paul

(74) *Attorney, Agent, or Firm* — Barnes & Thornburg LLP

(57) **CLAIM**

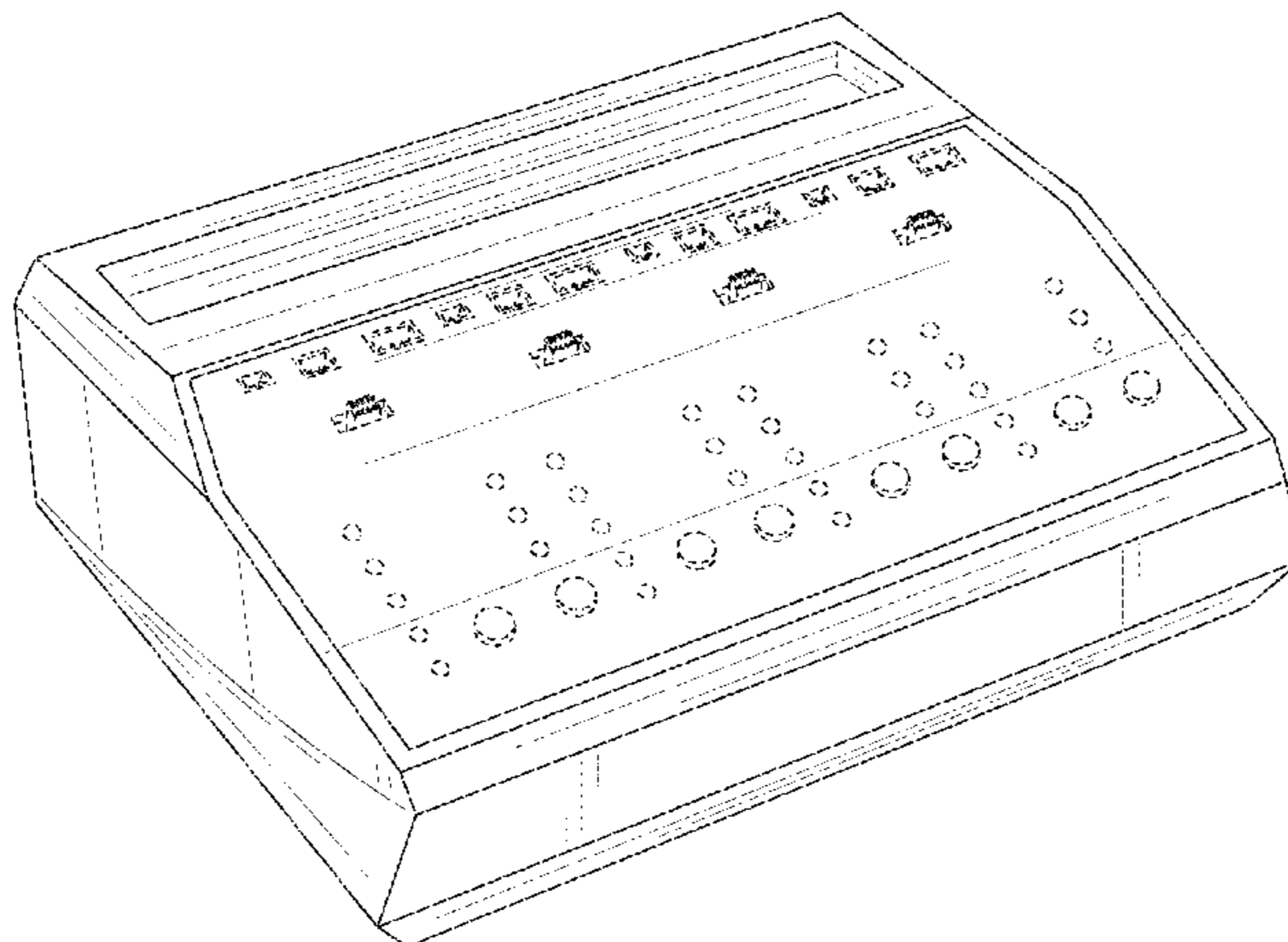
The ornamental design for a battery charger, as shown and described.

DESCRIPTION

FIG. 1 is a perspective view of a battery charger;
FIG. 2 is a front view thereof;
FIG. 3 is a rear view thereof;
FIG. 4 is a left side view thereof;
FIG. 5 is a right side view thereof;
FIG. 6 is a top view thereof;
FIG. 7 is a bottom view thereof;
FIG. 8 is a perspective view of a battery charger, according to an alternate embodiment;
FIG. 9 is a front view thereof;
FIG. 10 is a rear view thereof;
FIG. 11 is a left side view thereof;
FIG. 12 is a right side view thereof;
FIG. 13 is a top view thereof;
FIG. 14 is a bottom view thereof;
FIG. 15 is a perspective view of a battery charger, according to another alternate embodiment;
FIG. 16 is a front view thereof;
FIG. 17 is a rear view thereof;
FIG. 18 is a left side view thereof;
FIG. 19 is a right side view thereof;
FIG. 20 is a top view thereof; and,
FIG. 21 is a bottom view thereof.

The broken lines showing portions of the battery charger in the drawings are included for the purpose of illustrating environmental structure and form no part of the claimed design.

1 Claim, 21 Drawing Sheets



(56)

References Cited

U.S. PATENT DOCUMENTS

D264,961 S * 6/1982 Oxenreider 429/163
D325,204 S * 4/1992 Ito D14/162
5,375,226 A * 12/1994 Sano G06F 1/1626
345/169
D367,052 S * 2/1996 Ito D14/162
D400,877 S * 11/1998 Miyazaki D14/167
D408,820 S * 4/1999 Ito D14/217
D411,530 S * 6/1999 Carter D14/217
D427,145 S * 6/2000 Singh D13/107

D491,554 S * 6/2004 Amiya D14/217
D513,731 S * 1/2006 Kang D13/107
D540,742 S * 4/2007 Bell D13/107
D555,591 S * 11/2007 Grimes D13/110
D562,231 S * 2/2008 Osiecki D13/107
D593,544 S * 6/2009 Iijima D14/217
D605,111 S * 12/2009 Schoch D13/107
D686,985 S * 7/2013 Henderson D13/107
D715,266 S * 10/2014 Olswang D14/217
D717,278 S * 11/2014 Amiya D14/217
D721,353 S * 1/2015 Money D14/217
D743,942 S * 11/2015 Tschetter D14/217

* cited by examiner

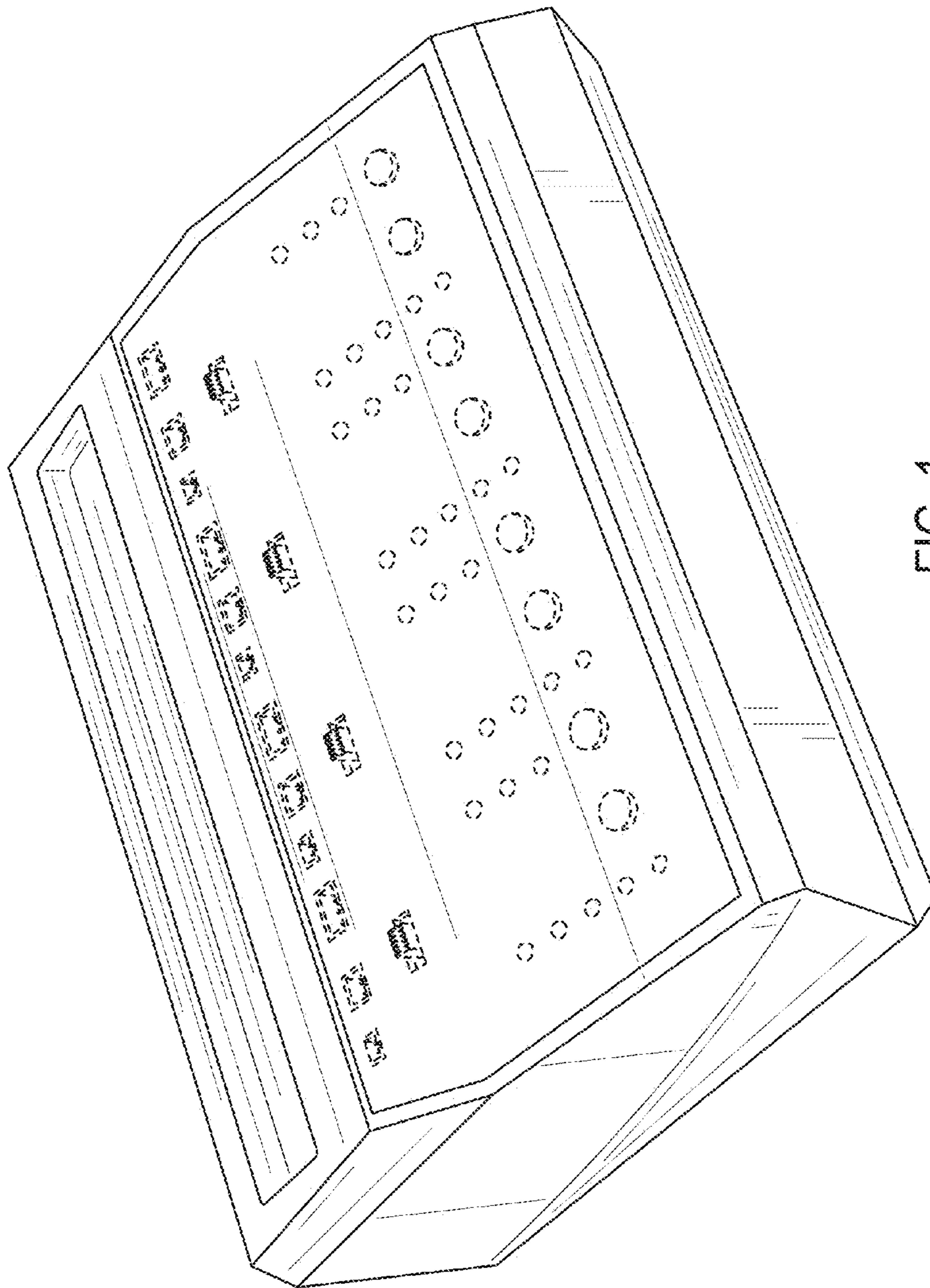


FIG. 1

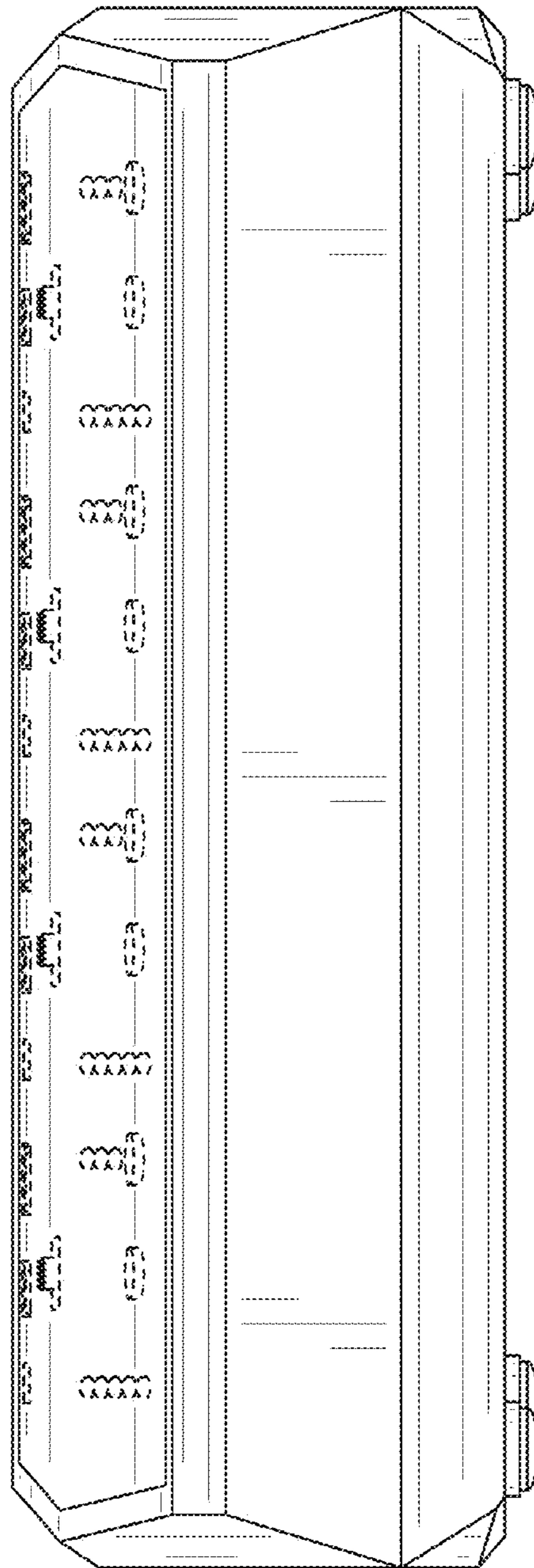


FIG. 2

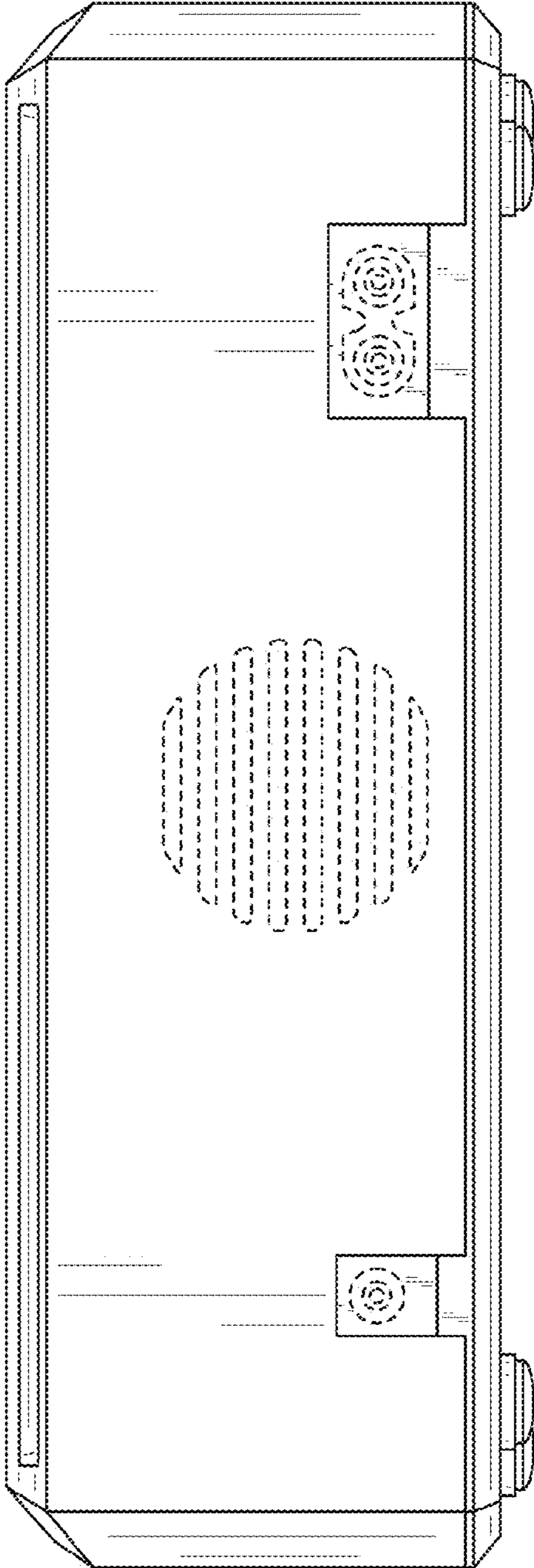


FIG. 3

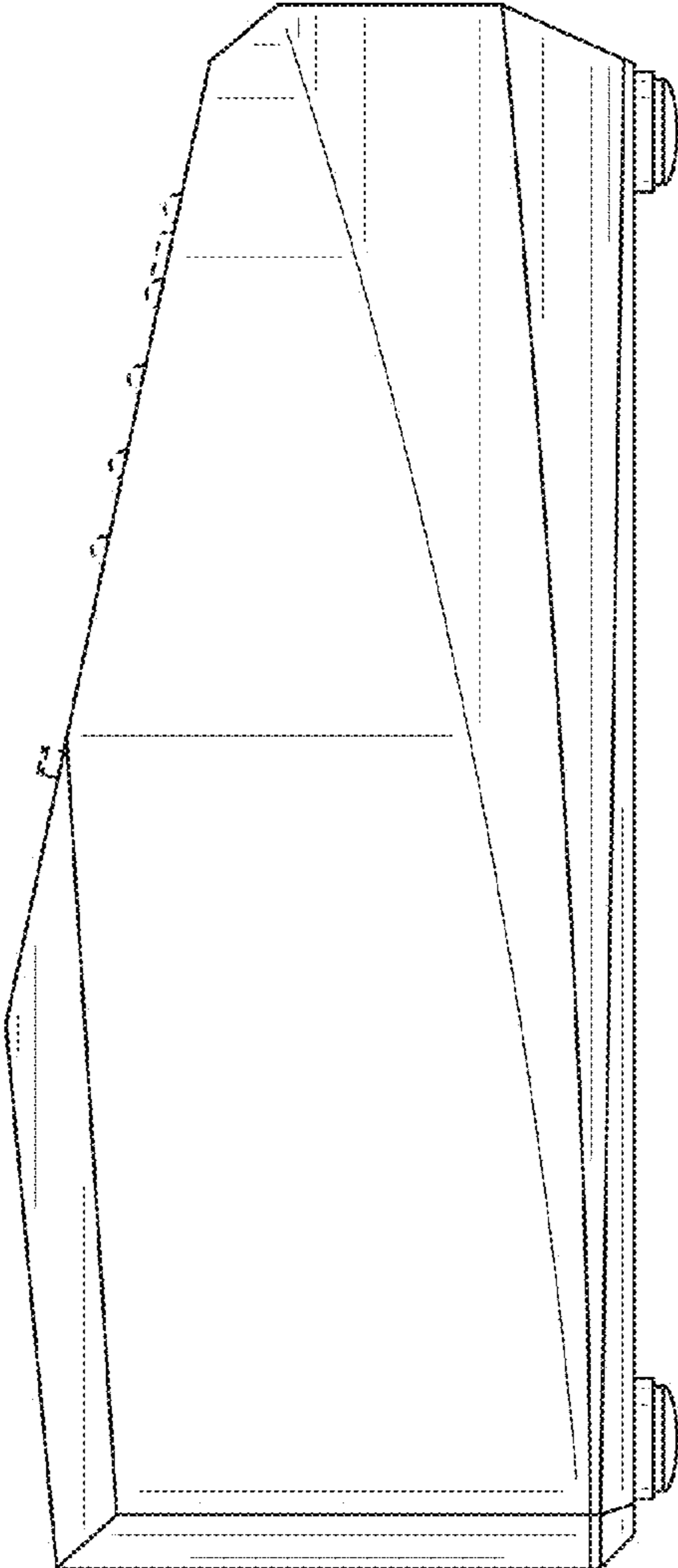


FIG. 4

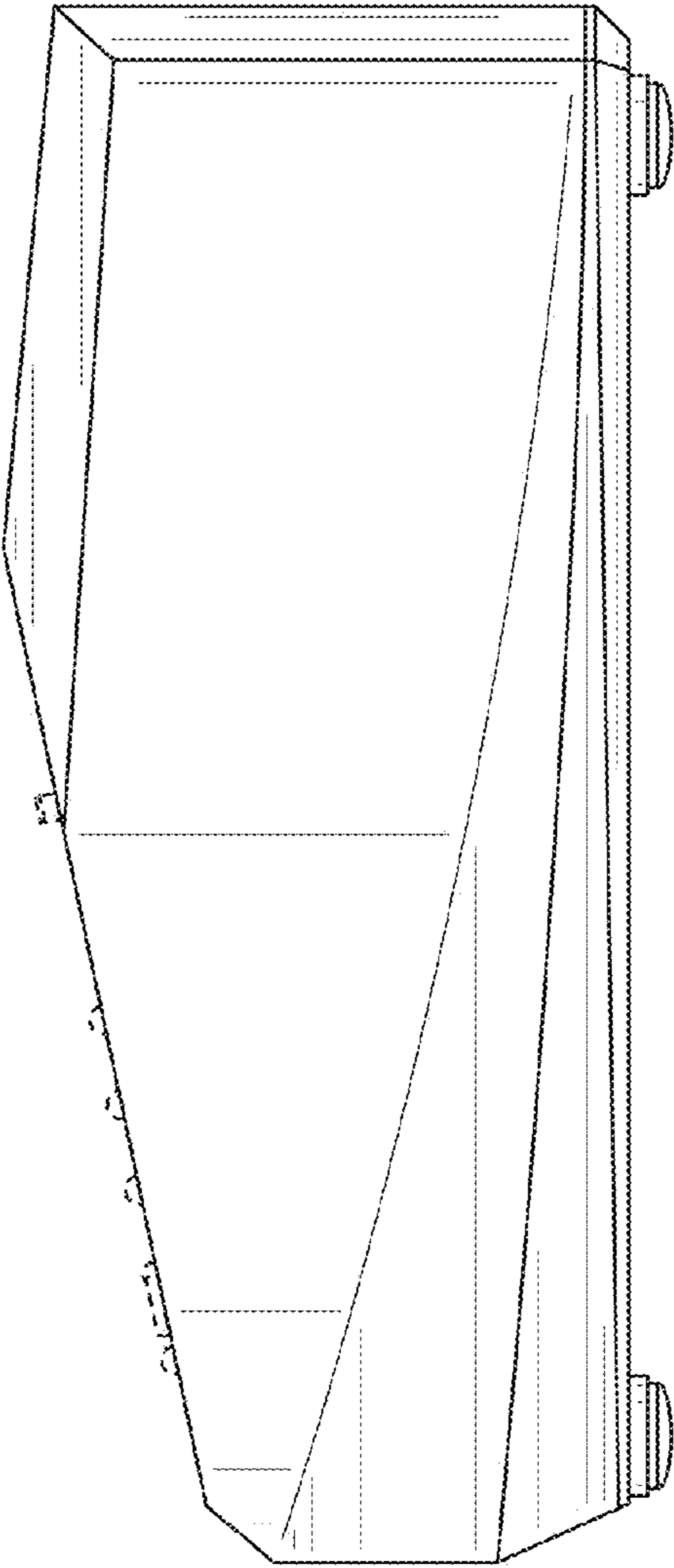


FIG. 5

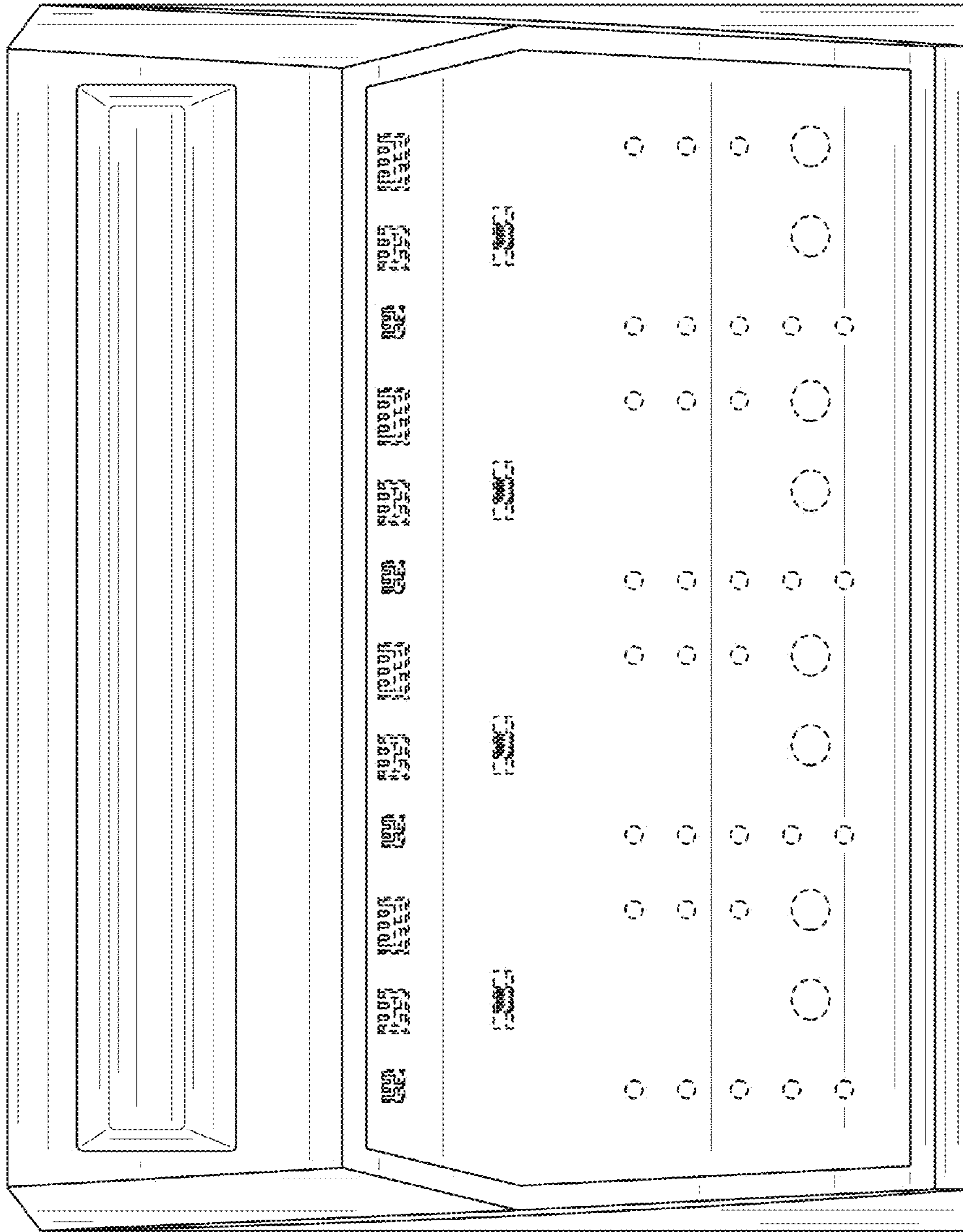


FIG. 6

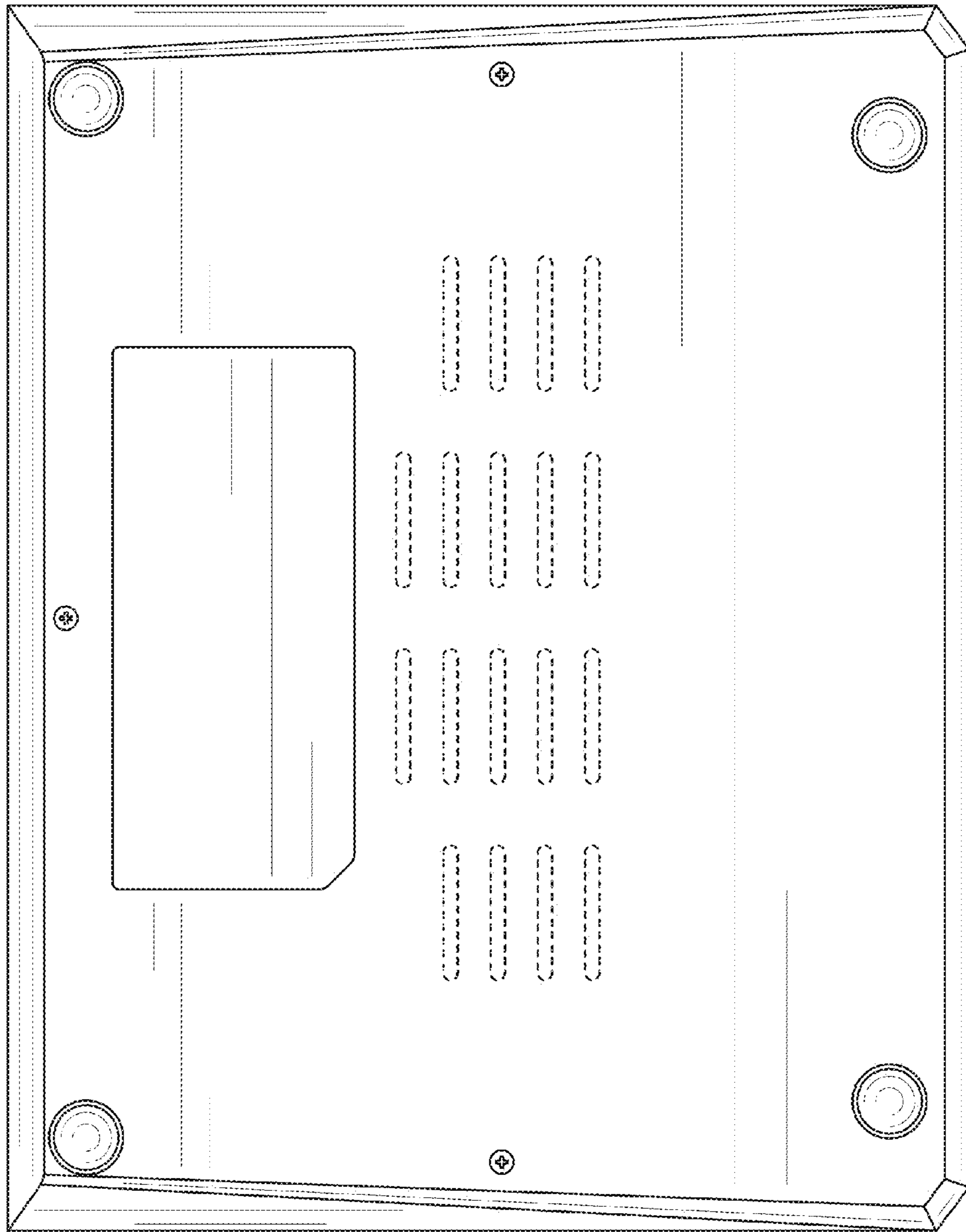


FIG. 7

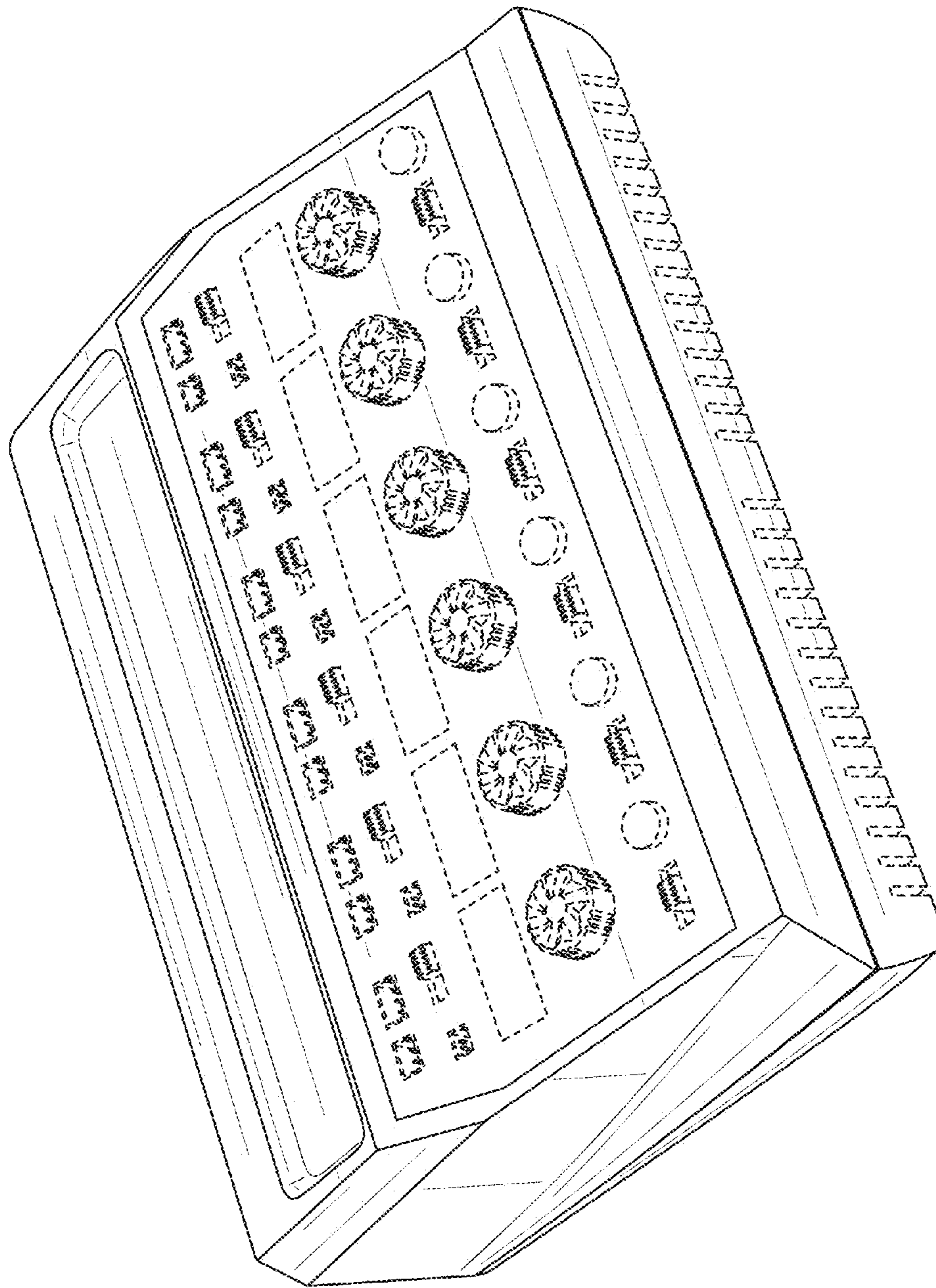


FIG. 8

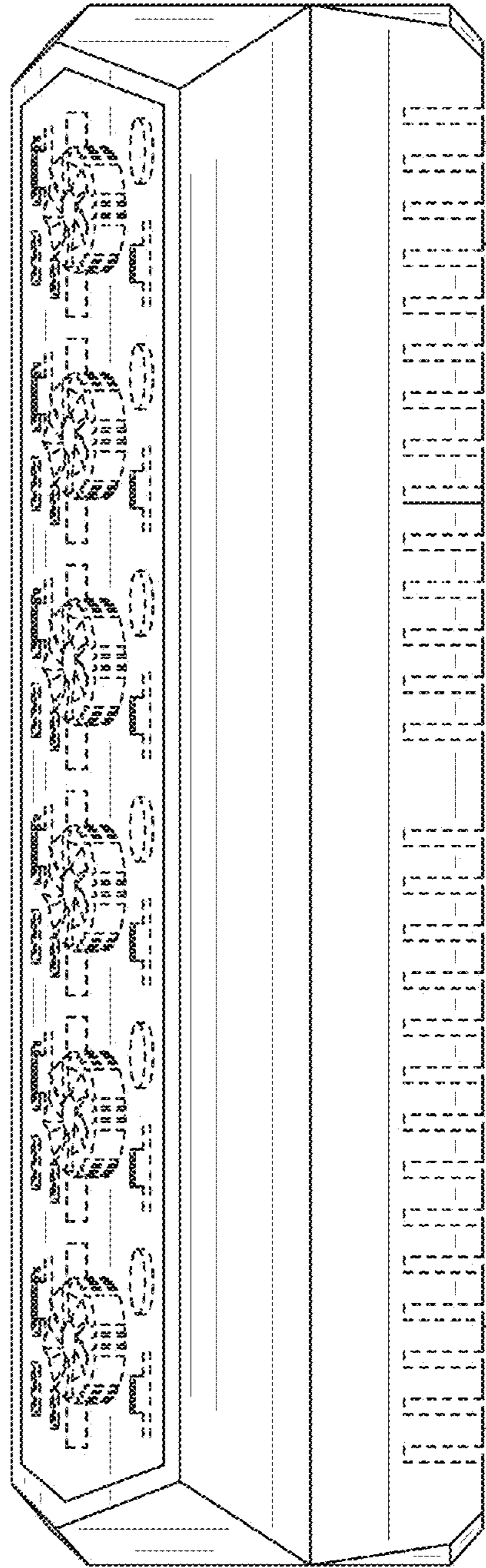


FIG. 9

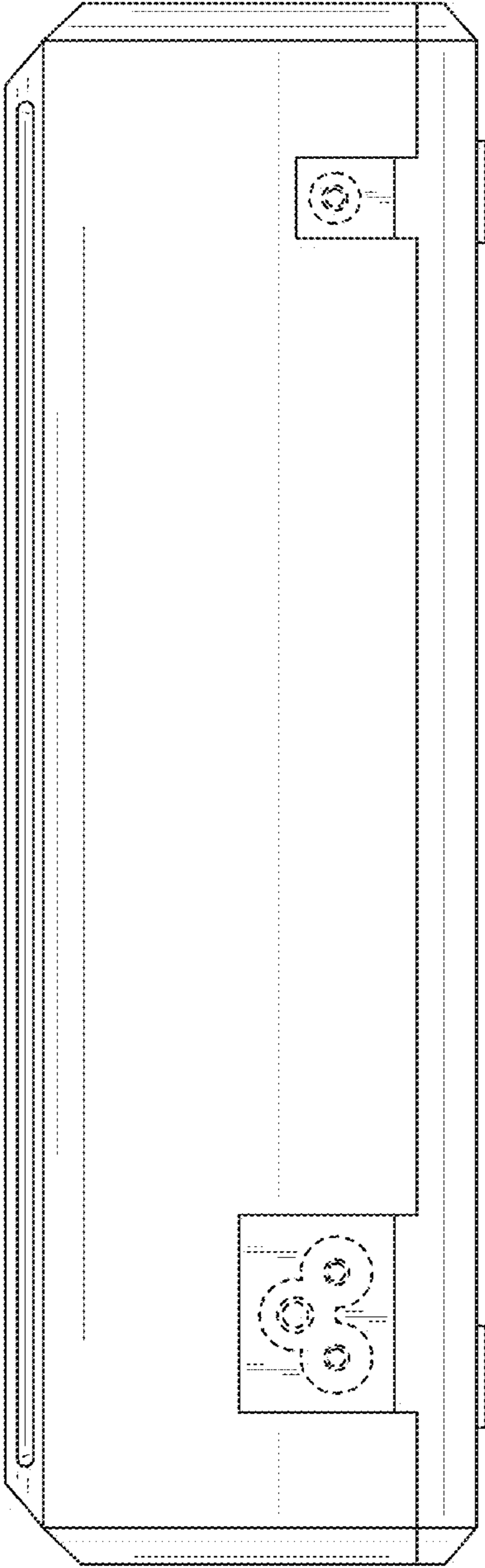


FIG. 10

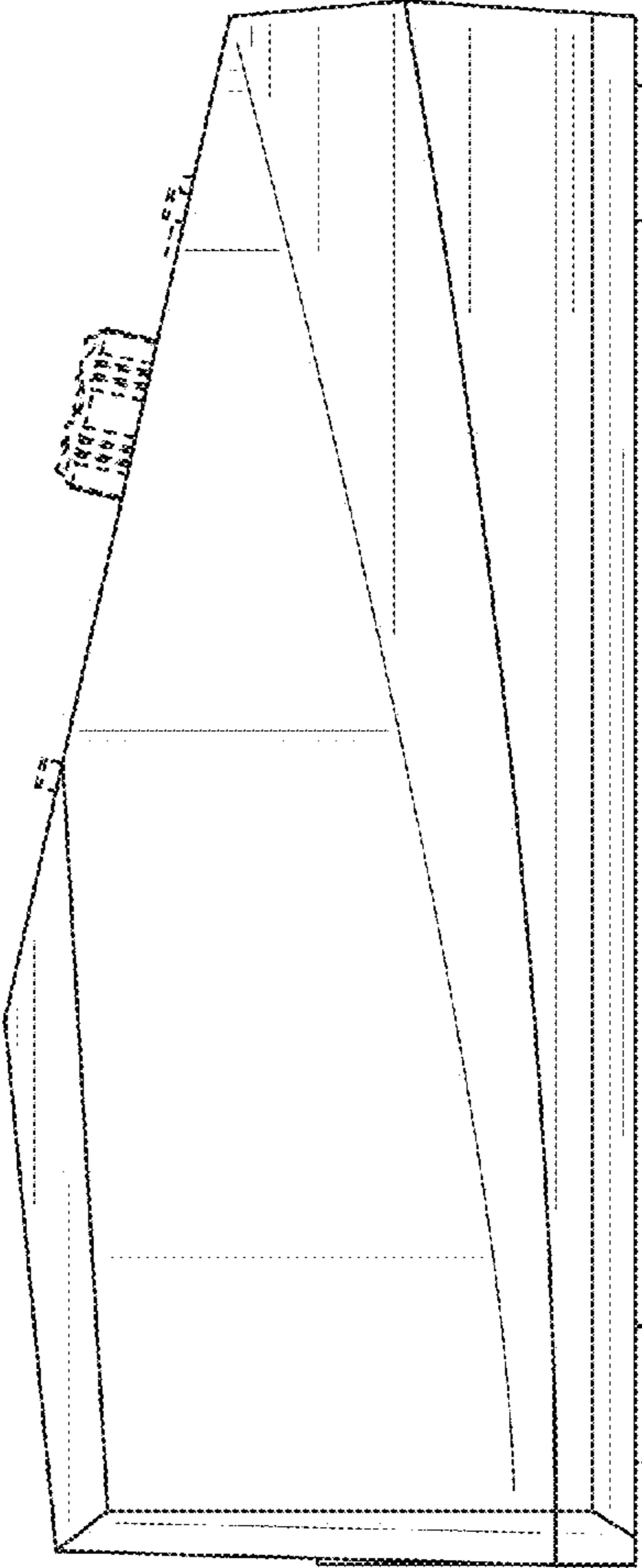


FIG. 11

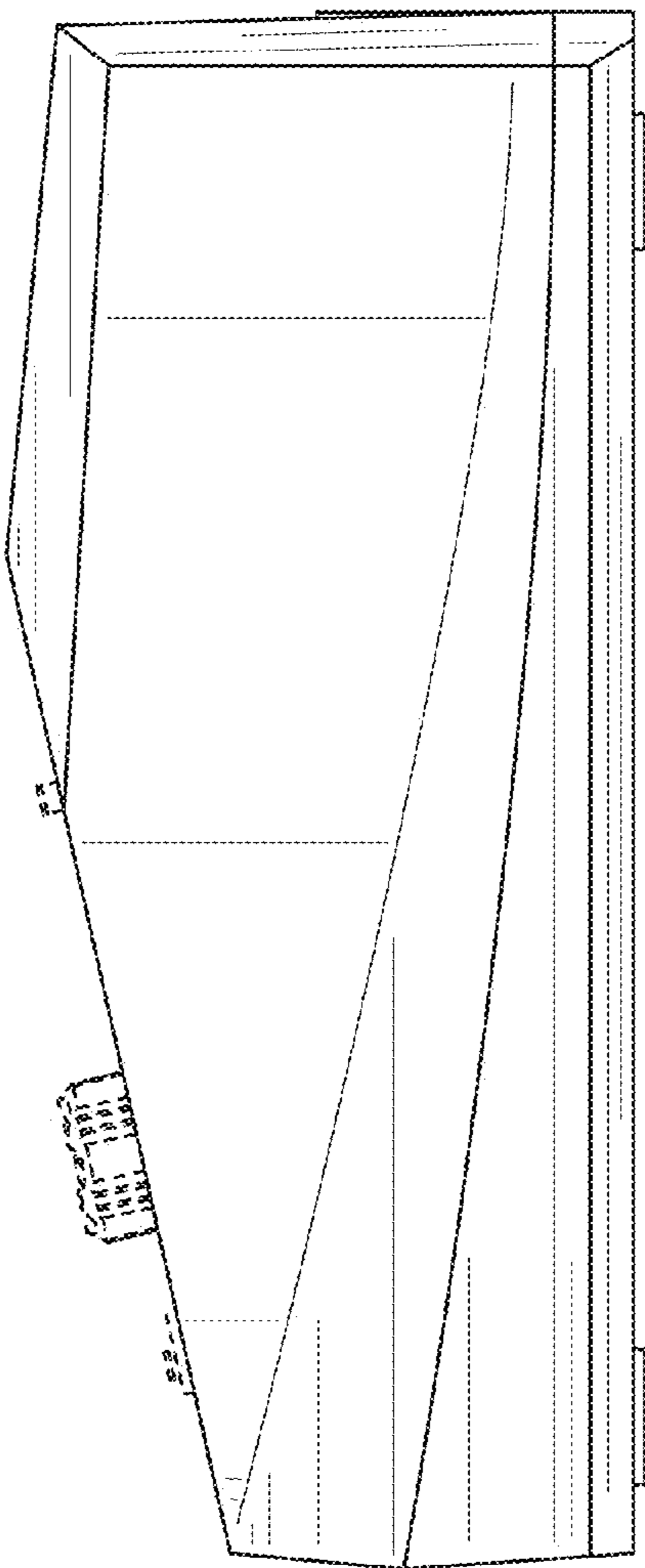


FIG. 12

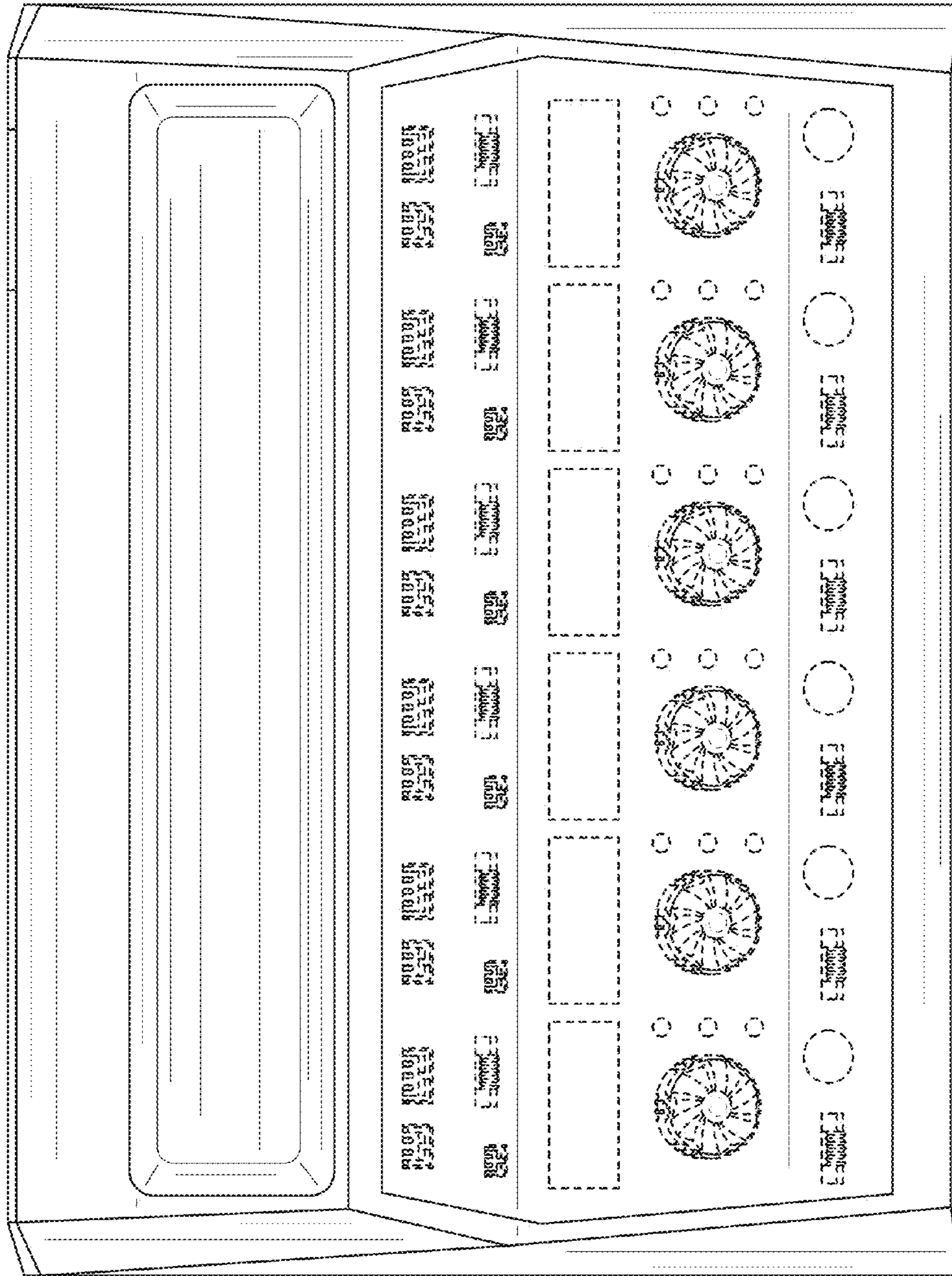


FIG. 13

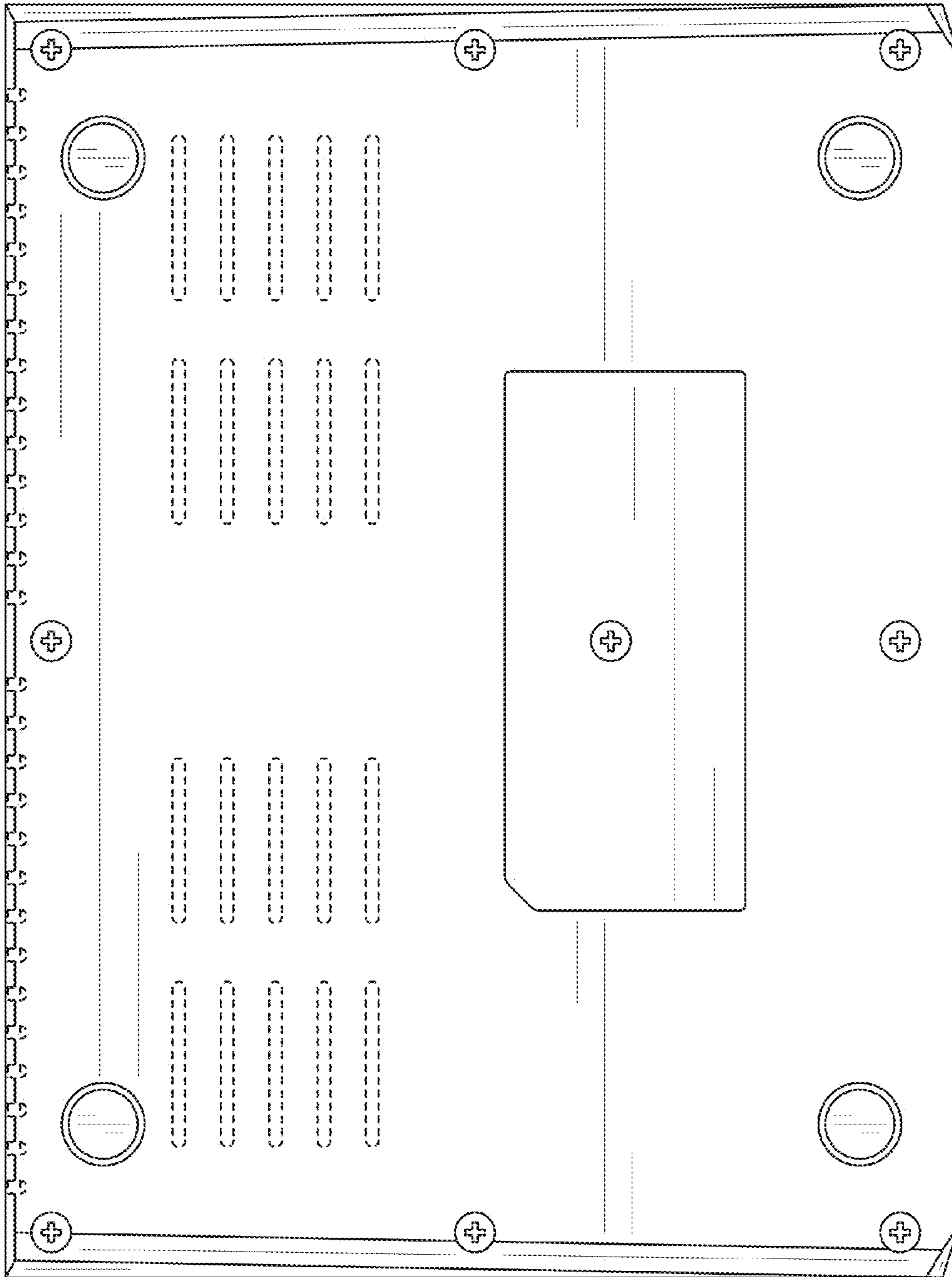


FIG. 14

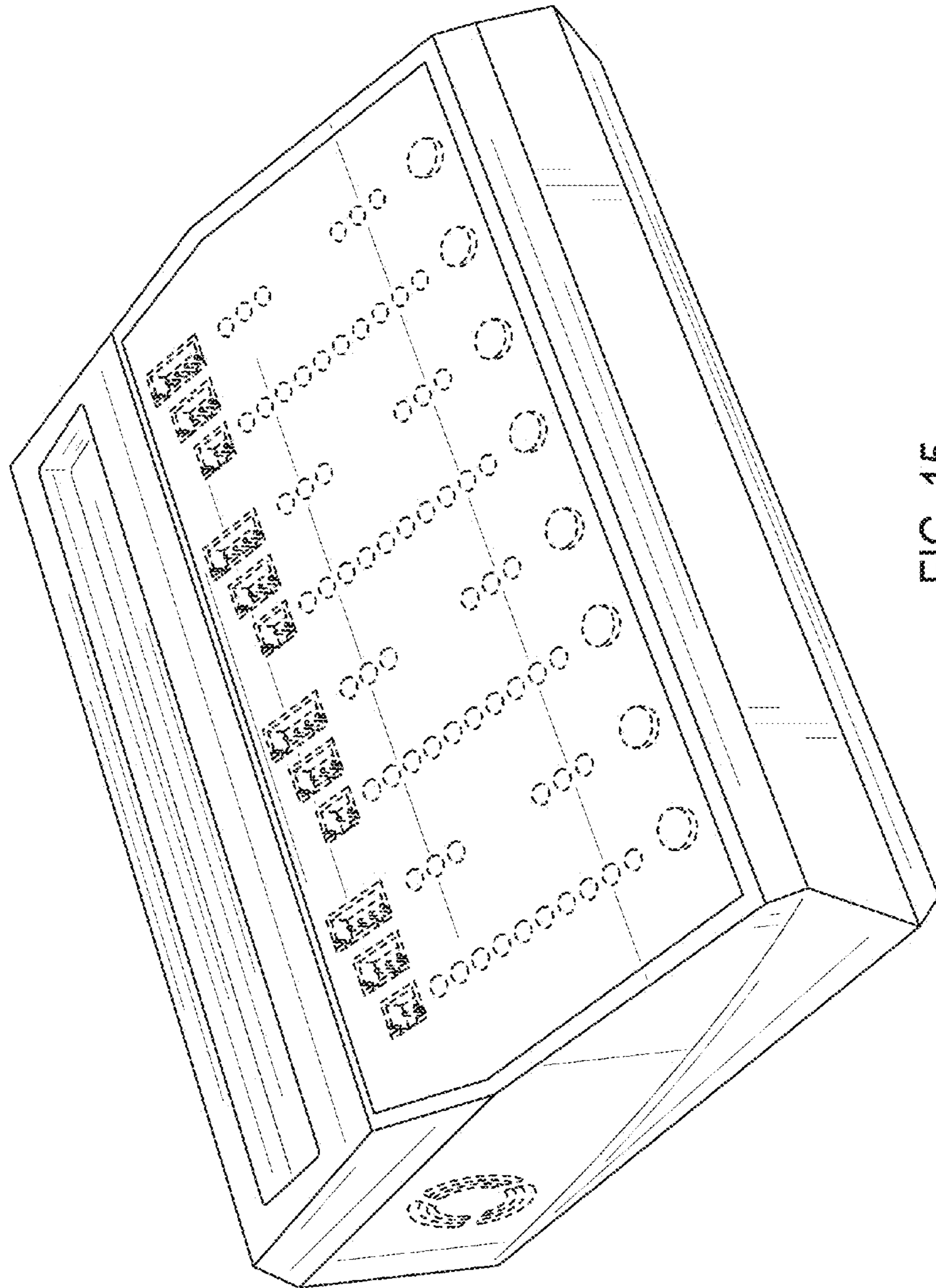


FIG. 15

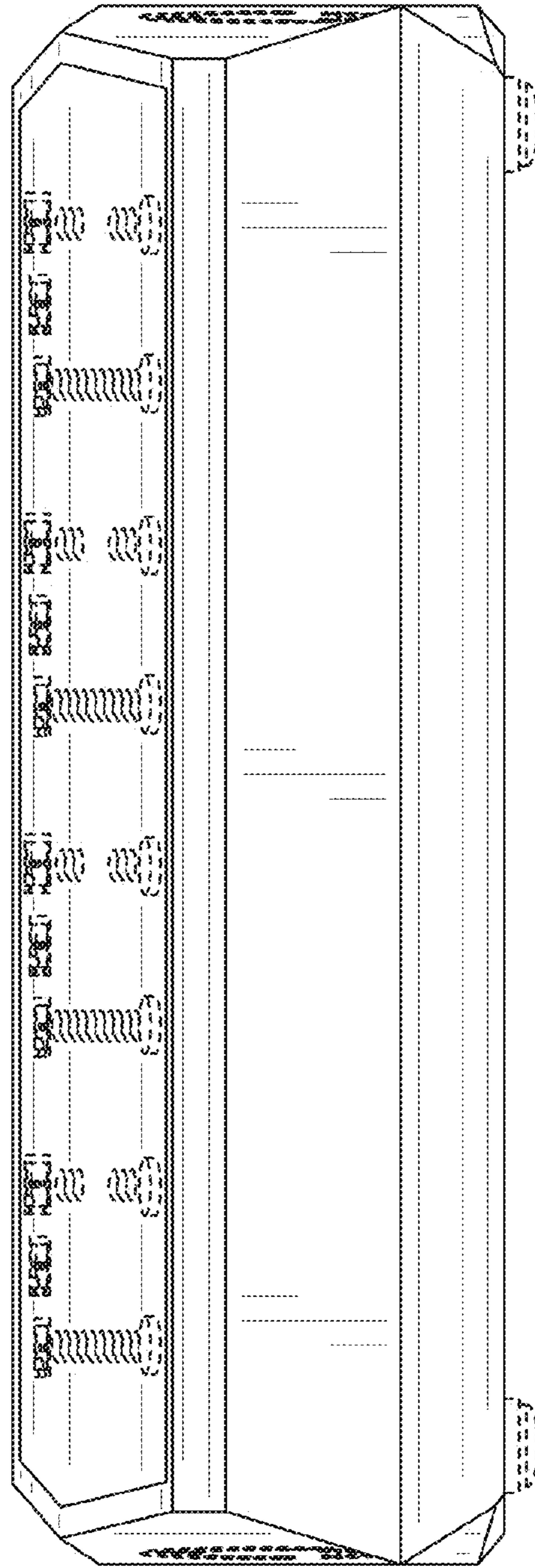


FIG. 16

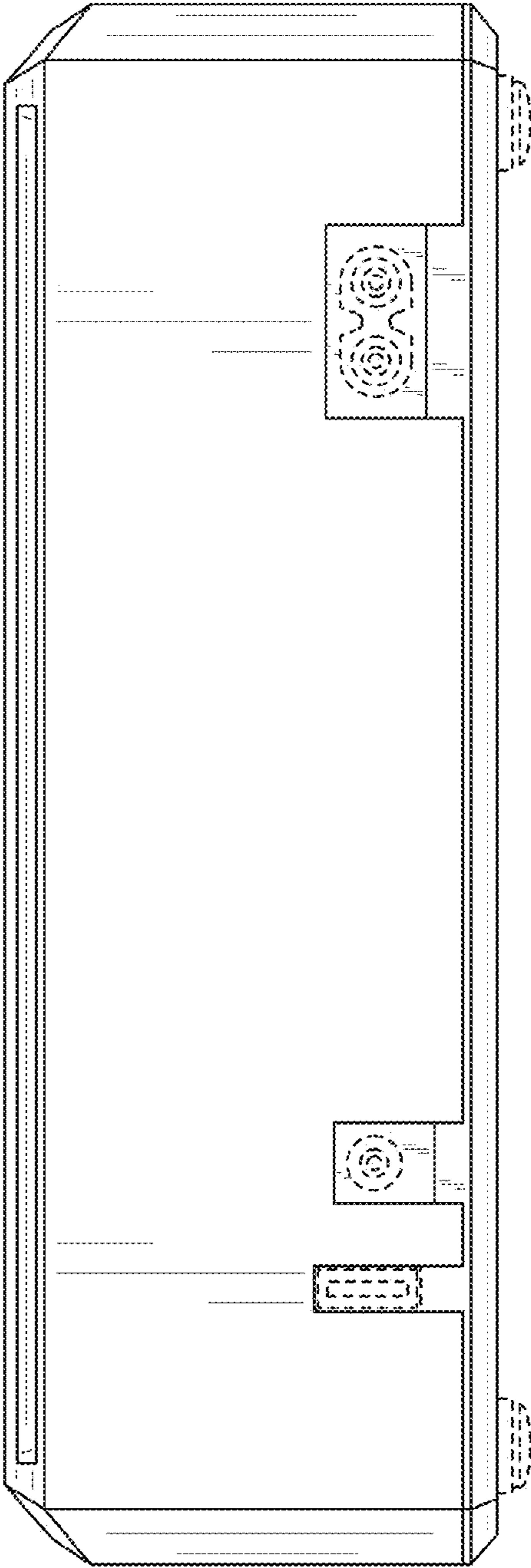


FIG. 17

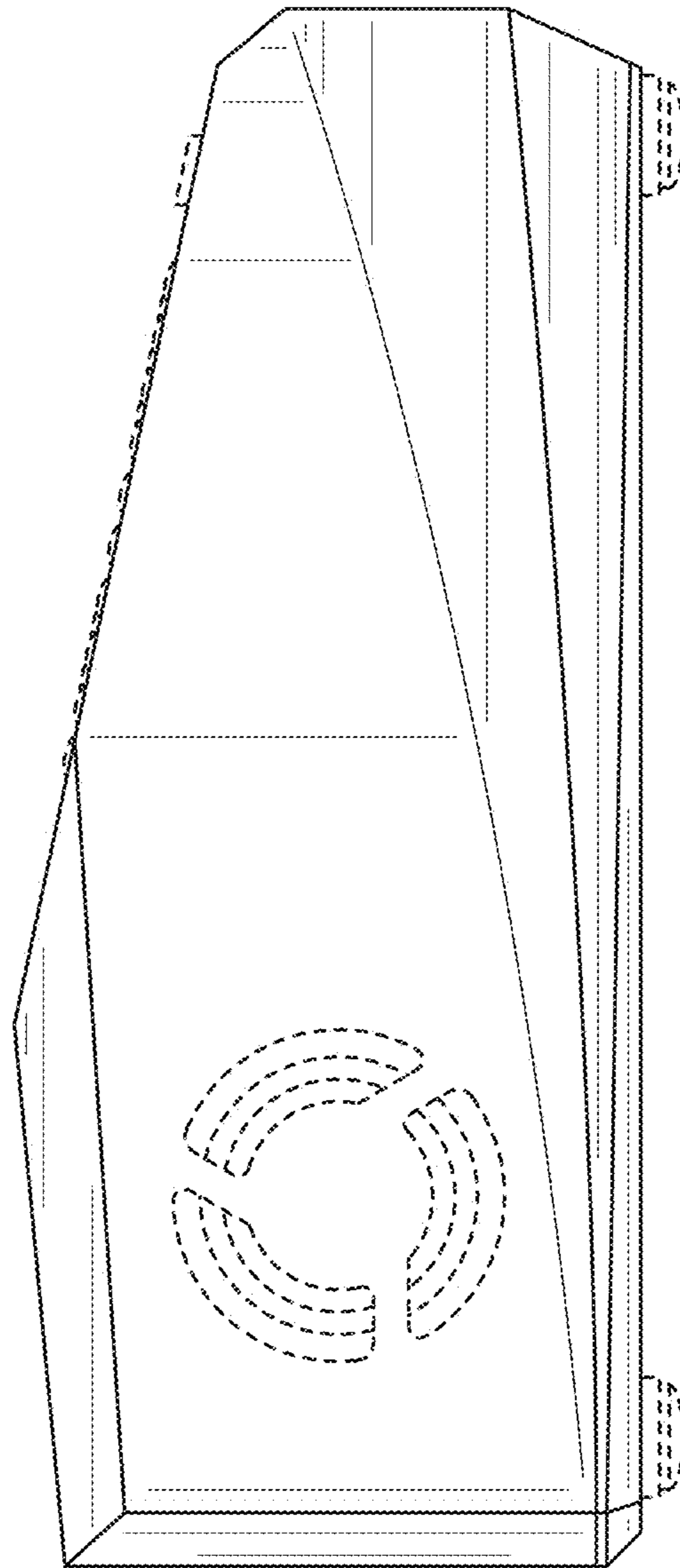


FIG. 18

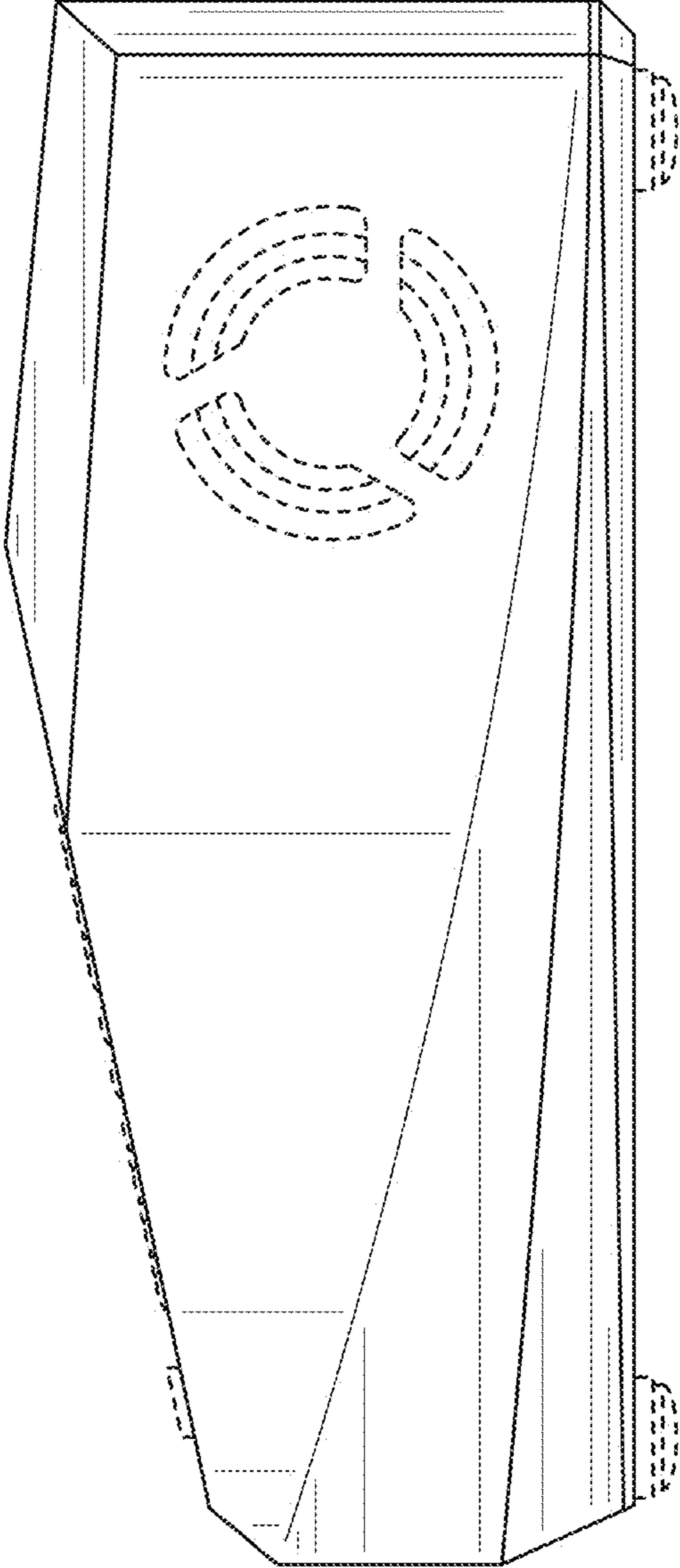


FIG. 19

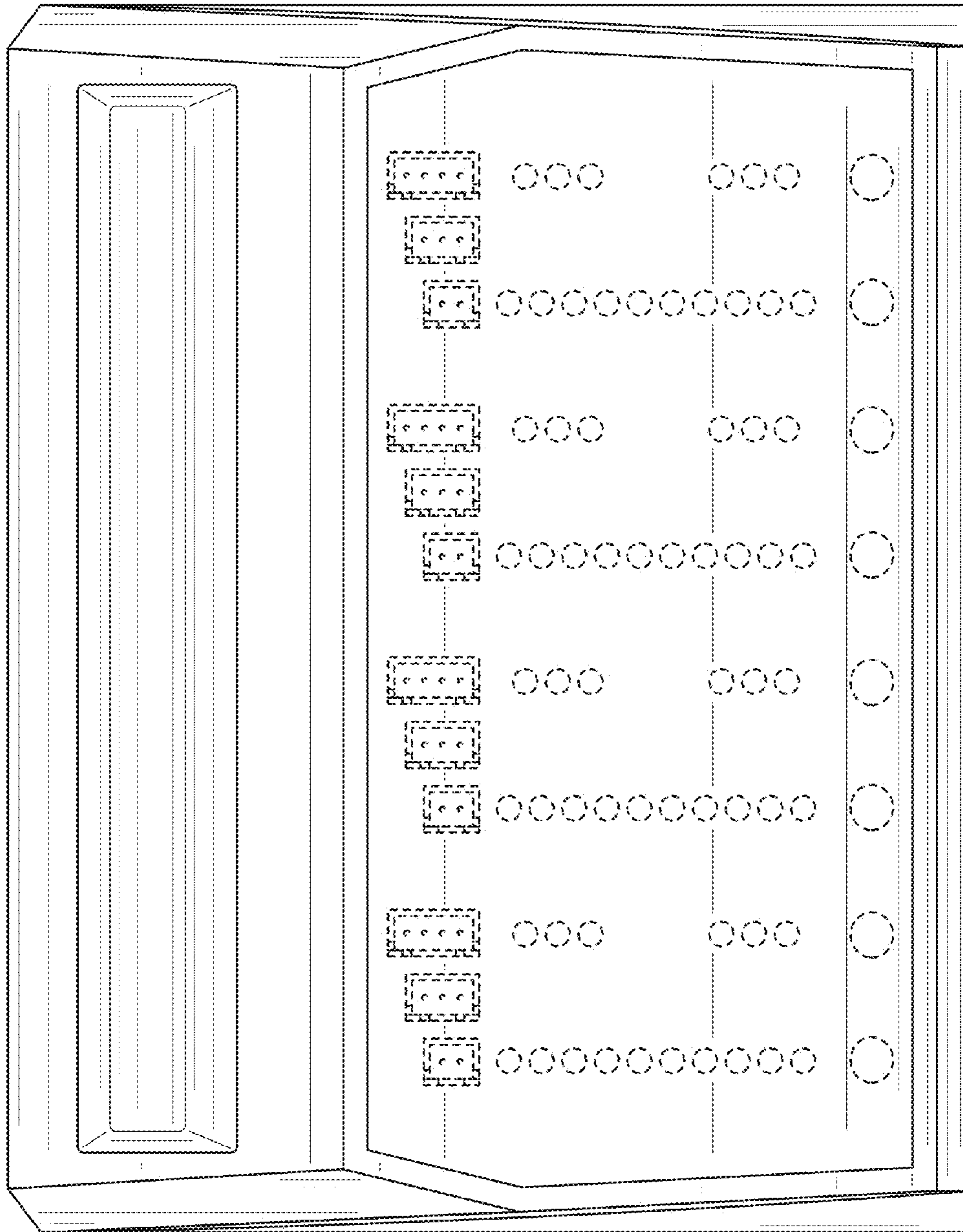


FIG. 20

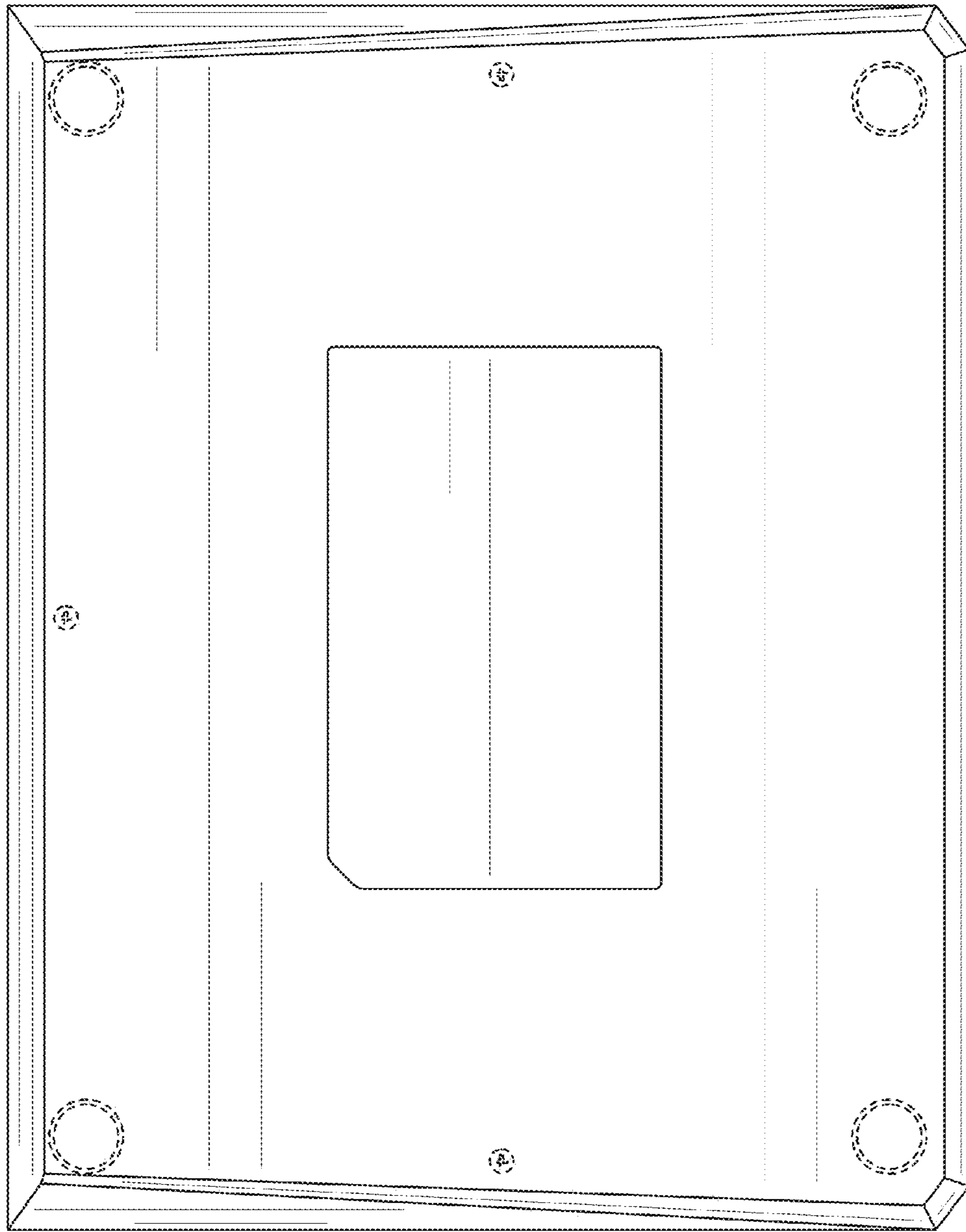


FIG. 21