

US00D762568S

(12) **United States Design Patent**
Arends

(10) **Patent No.:** **US D762,568 S**
(45) **Date of Patent:** **** Aug. 2, 2016**

- (54) **BATTERY CHARGER**
- (71) Applicant: **Horizon Hobby, Inc.**, Champaign, IL (US)
- (72) Inventor: **Gregory Arends**, Mahomet, IL (US)
- (73) Assignee: **Horizon Hobby, LLC**, Champaign, IL (US)
- (**) Term: **14 Years**
- (21) Appl. No.: **29/471,654**
- (22) Filed: **Nov. 4, 2013**
- (51) **LOC (10) Cl.** **13-02**
- (52) **U.S. Cl.**
USPC **D13/107**
- (58) **Field of Classification Search**
USPC D13/102-106, 110, 118-119, 184,
D13/107-108; D14/96-100, 163, 176;
320/107-115; 429/96-100, 163, 176
CPC Y02E 60/12; Y02E 60/122; Y02E 60/124;
Y02E 60/50; H01M 2/02; H01M 2/022;
H01M 2/0202; H01M 2/0207; H01M 2/0212;
H01M 2/1061; H01M 2/1022; H01M 2/1055;
H01M 2/1066; H01M 2/105; H01M 2/204;
H01M 10/4257; H01M 10/0436; H01M 10/48;
H01M 10/44; H01M 10/46; H01M 10/465;
H01M 10/482; H01M 2200/30; H01M
2250/30; H01M 2250/40; H02J 7/00; H02J
7/0003; H02J 7/0011; H02J 7/0013; H02J
7/0054; H02J 7/0055; H02J 7/0057; H02J
2007/0062
See application file for complete search history.

(56) **References Cited**

U.S. PATENT DOCUMENTS

- D177,699 S * 5/1956 Schultz D10/103
- D225,581 S * 12/1972 Danti D13/110
- D239,934 S * 5/1976 Jack D10/75
- D264,961 S * 6/1982 Oxenreider 429/163
- 4,595,641 A * 6/1986 Giurtino A61N 1/378
429/1

- D325,204 S * 4/1992 Ito D14/162
- 5,375,226 A * 12/1994 Sano G06F 1/1626
345/169
- D367,052 S * 2/1996 Ito D14/162
- D400,877 S * 11/1998 Miyazaki D14/167
- D408,820 S * 4/1999 Ito D14/217
- D411,530 S * 6/1999 Carter D14/217

(Continued)

OTHER PUBLICATIONS

Ultra Micro4, [online], [site visited Mar. 8, 2015]. Available from Internet, <URL:http://www.horizonhobby.com/ultra-micro-4--4x9w--ac-dc-battery-charger-p-eflc1105a>.*

Primary Examiner — Rosemary K Tarca
Assistant Examiner — Sanjeev Paul
(74) *Attorney, Agent, or Firm* — Barnes & Thornburg LLP

(57) **CLAIM**

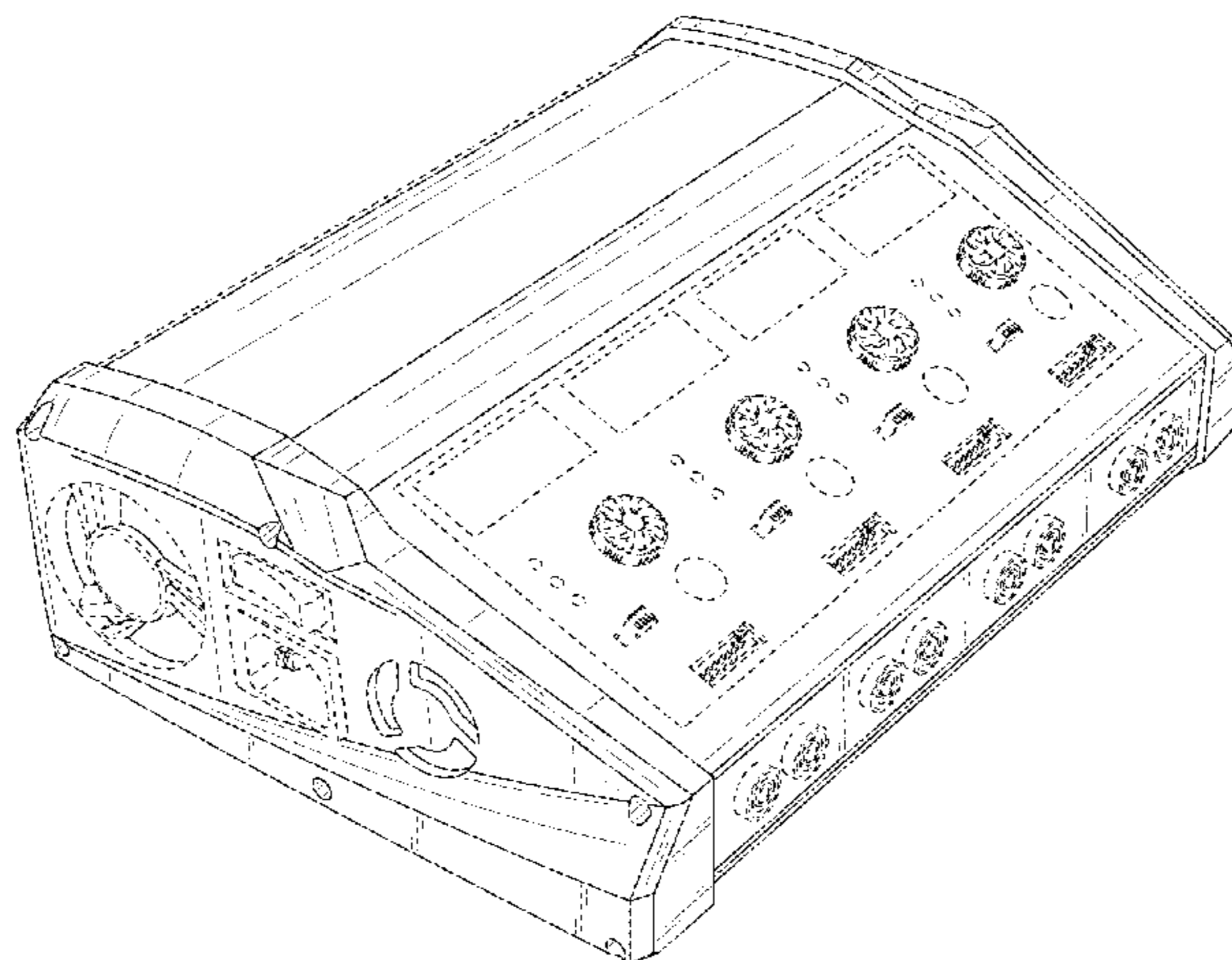
The ornamental design for a battery charger, as shown and described.

DESCRIPTION

FIG. 1 is a perspective view of a battery charger;
FIG. 2 is a front view thereof;
FIG. 3 is a rear view thereof;
FIG. 4 is a left side view thereof;
FIG. 5 is a right side view thereof;
FIG. 6 is a top view thereof;
FIG. 7 is a bottom view thereof;
FIG. 8 is a perspective view of a battery charger, according to an alternate embodiment;
FIG. 9 is a front view thereof;
FIG. 10 is a rear view thereof;
FIG. 11 is a left side view thereof;
FIG. 12 is a right side view thereof;
FIG. 13 is a top view thereof; and,
FIG. 14 is a bottom view thereof.

The broken lines showing portions of the battery charger in the drawings are included for the purpose of illustrating environmental structure and form no part of the claimed design.

1 Claim, 14 Drawing Sheets



(56)

References Cited

U.S. PATENT DOCUMENTS

D427,145 S *	6/2000	Singh	D13/107	D562,231 S *	2/2008	Osiecki	D13/107
D491,554 S *	6/2004	Amiya	D14/217	D593,544 S *	6/2009	Iijima	D14/217
D513,731 S *	1/2006	Kang	D13/107	D605,111 S *	12/2009	Schoch	D13/107
D540,742 S *	4/2007	Bell	D13/107	D686,985 S *	7/2013	Henderson	D13/107
D555,591 S *	11/2007	Grimes	D13/110	D715,266 S *	10/2014	Olswang	D14/217
				D717,278 S *	11/2014	Amiya	D14/217
				D721,353 S *	1/2015	Money	D14/217
				D743,942 S *	11/2015	Tschetter	D14/217

* cited by examiner

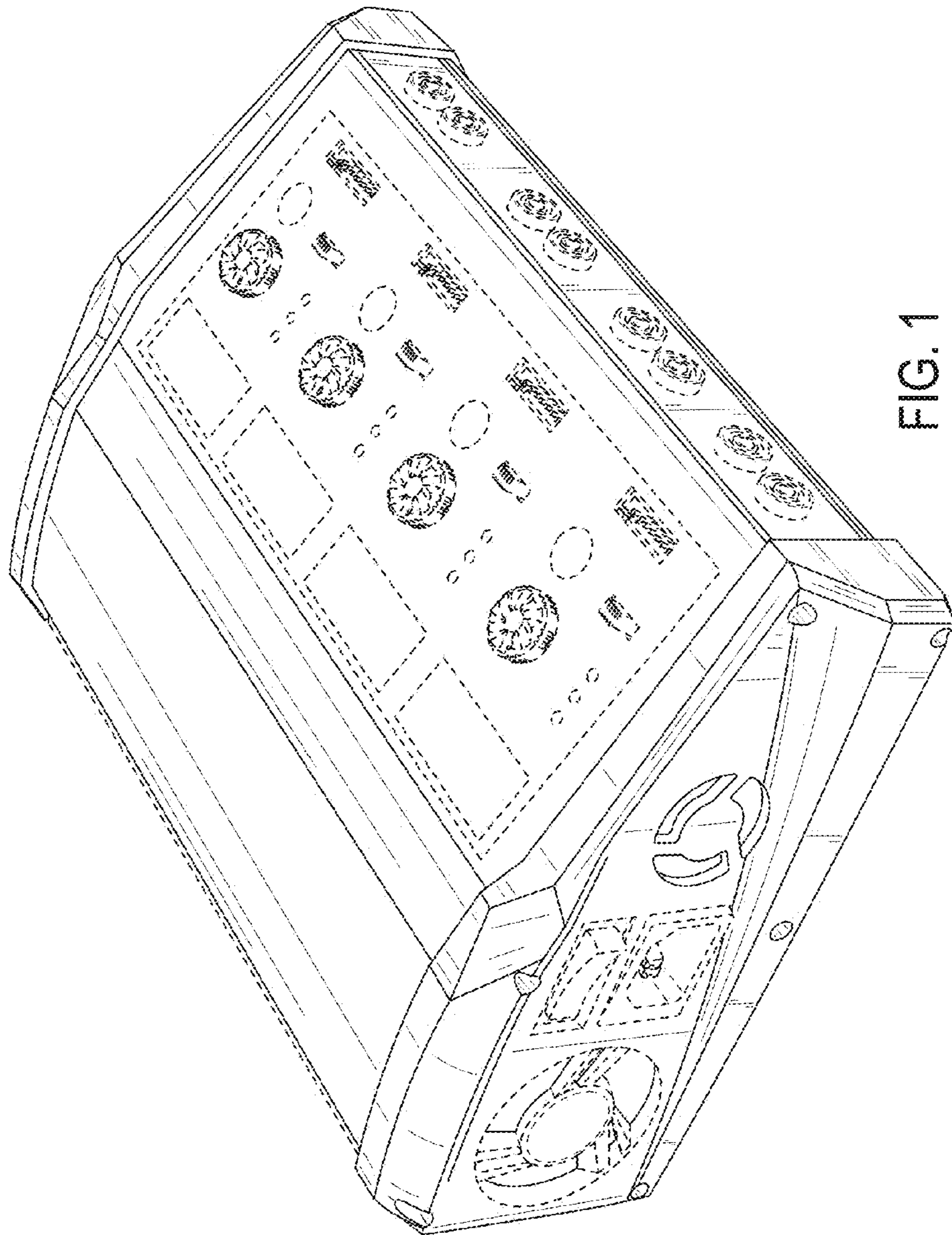


FIG. 1

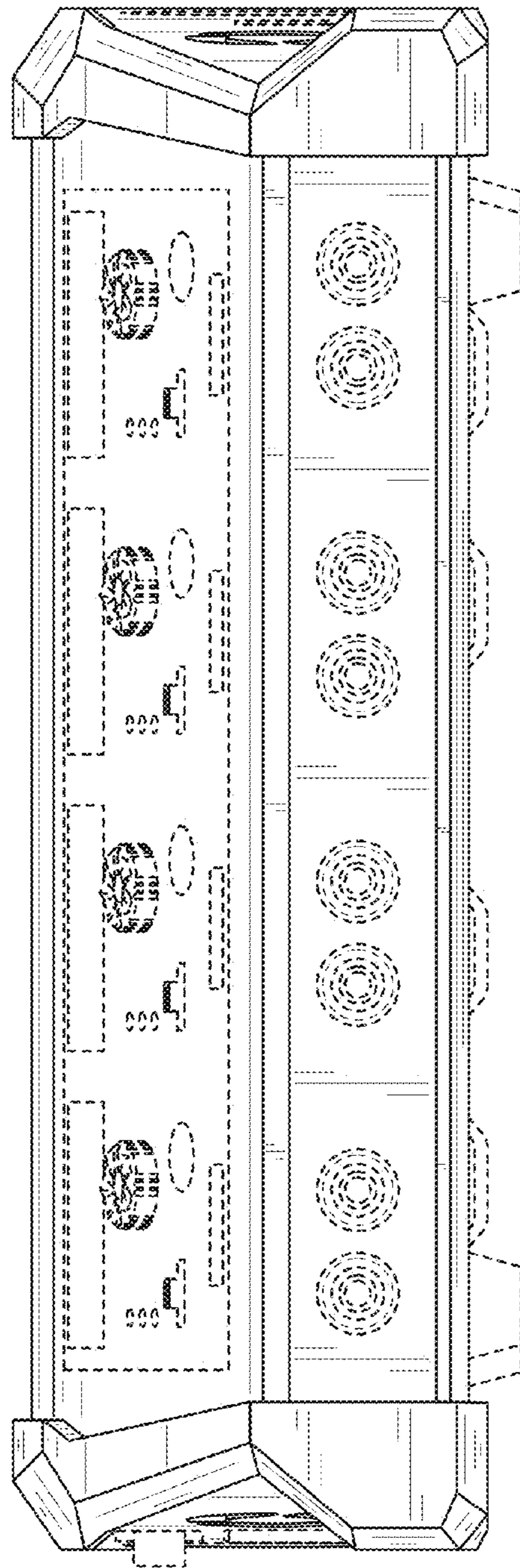


FIG. 2

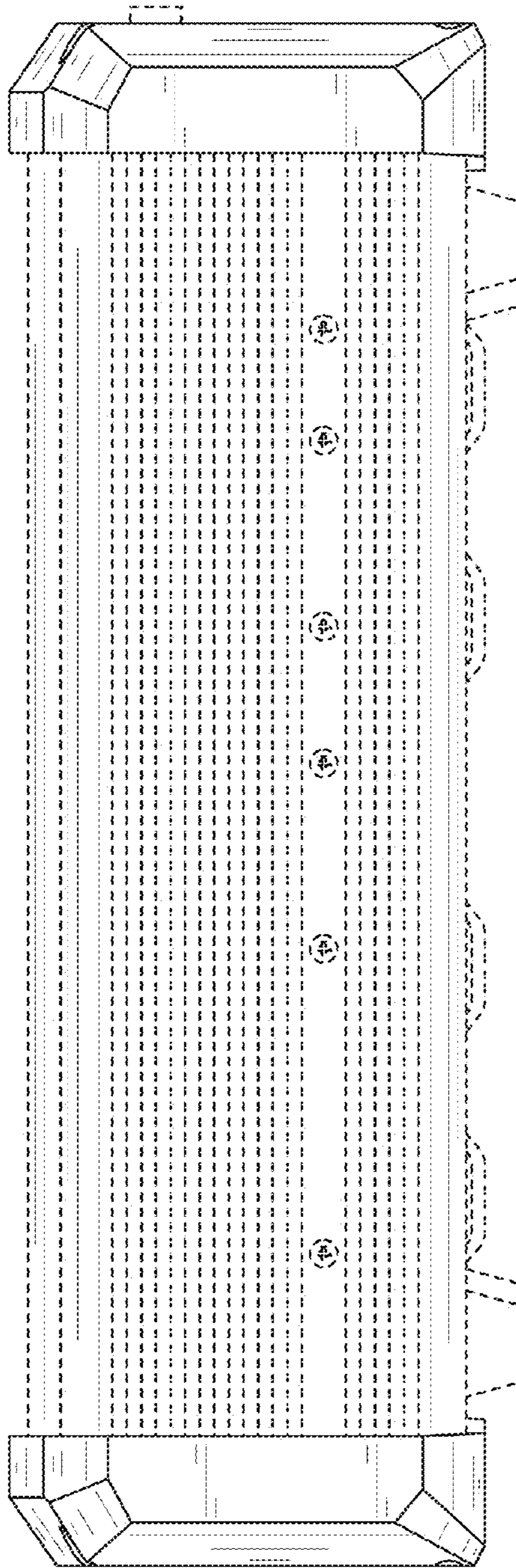


FIG. 3

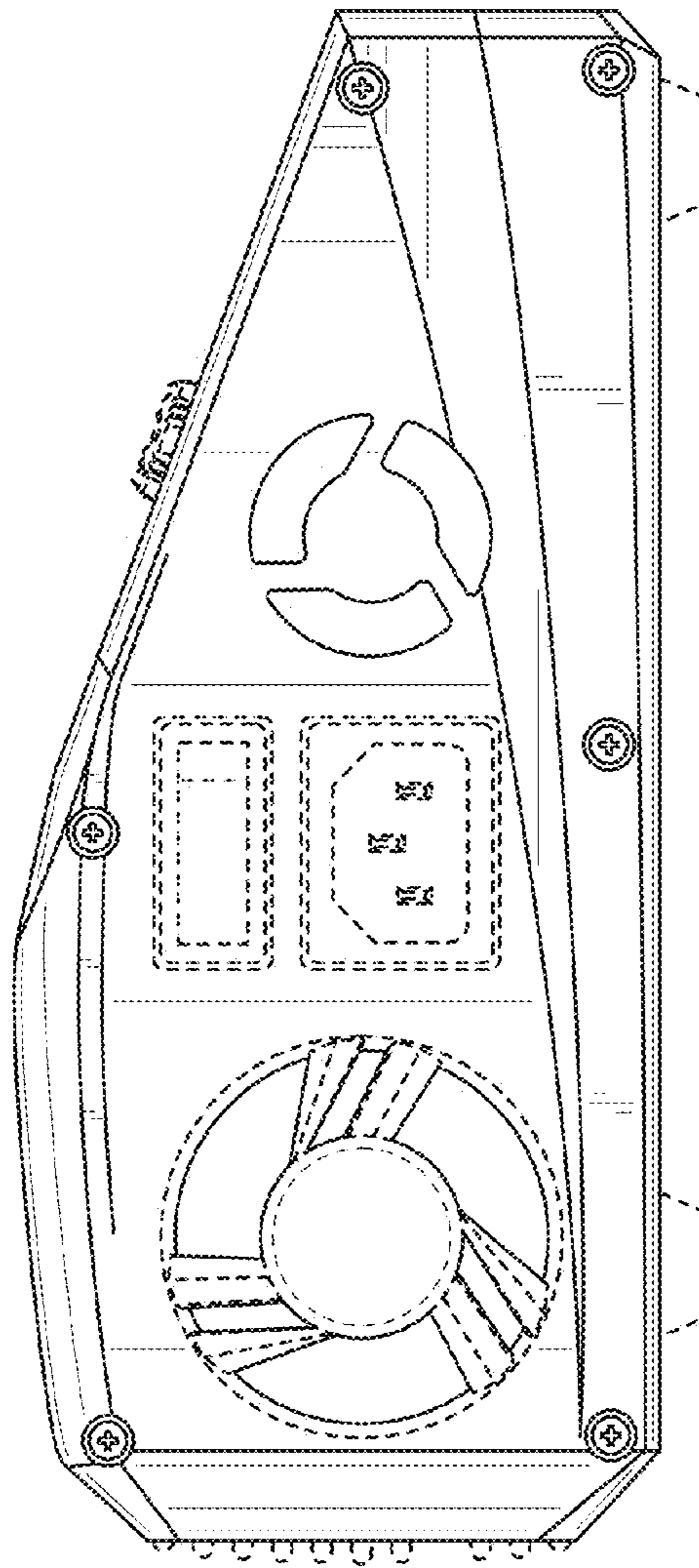


FIG. 4

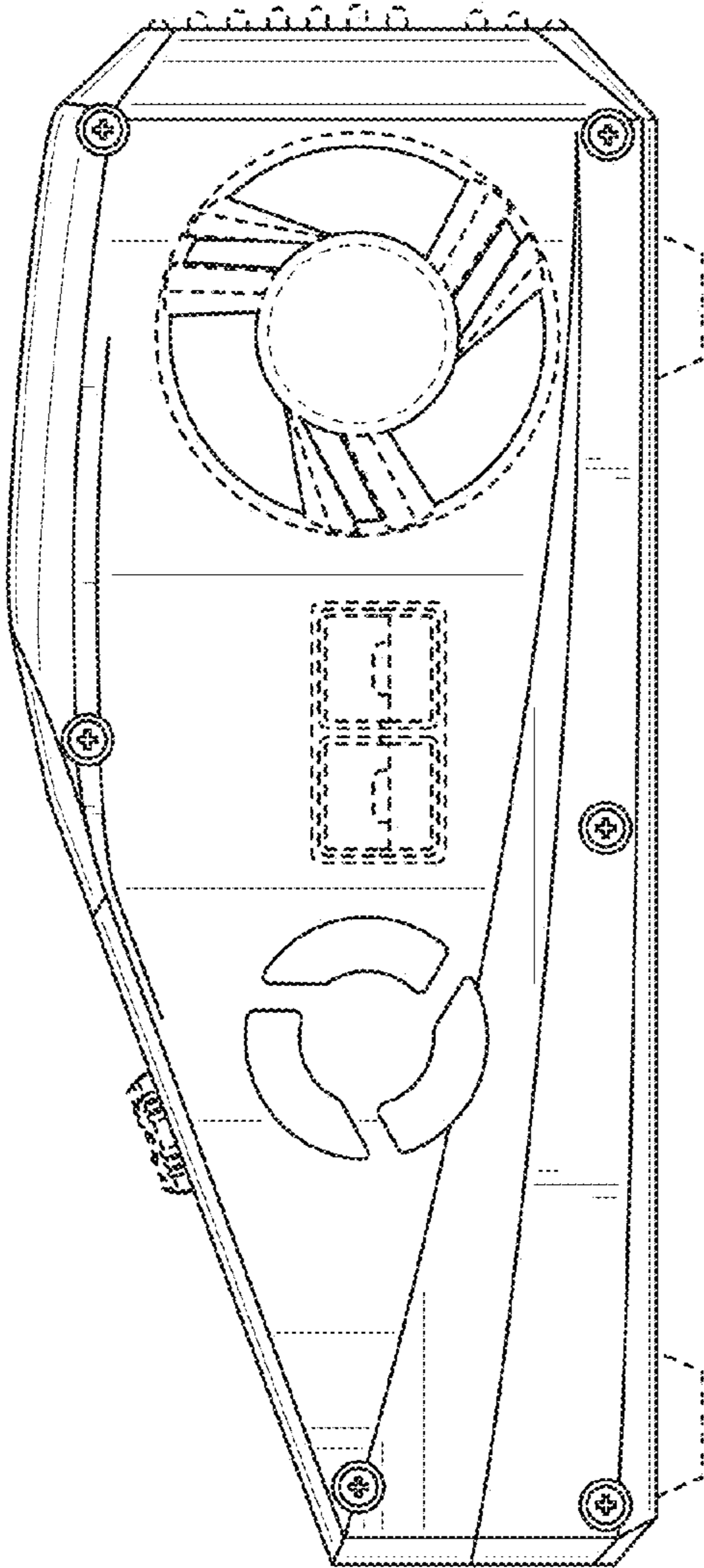


FIG. 5

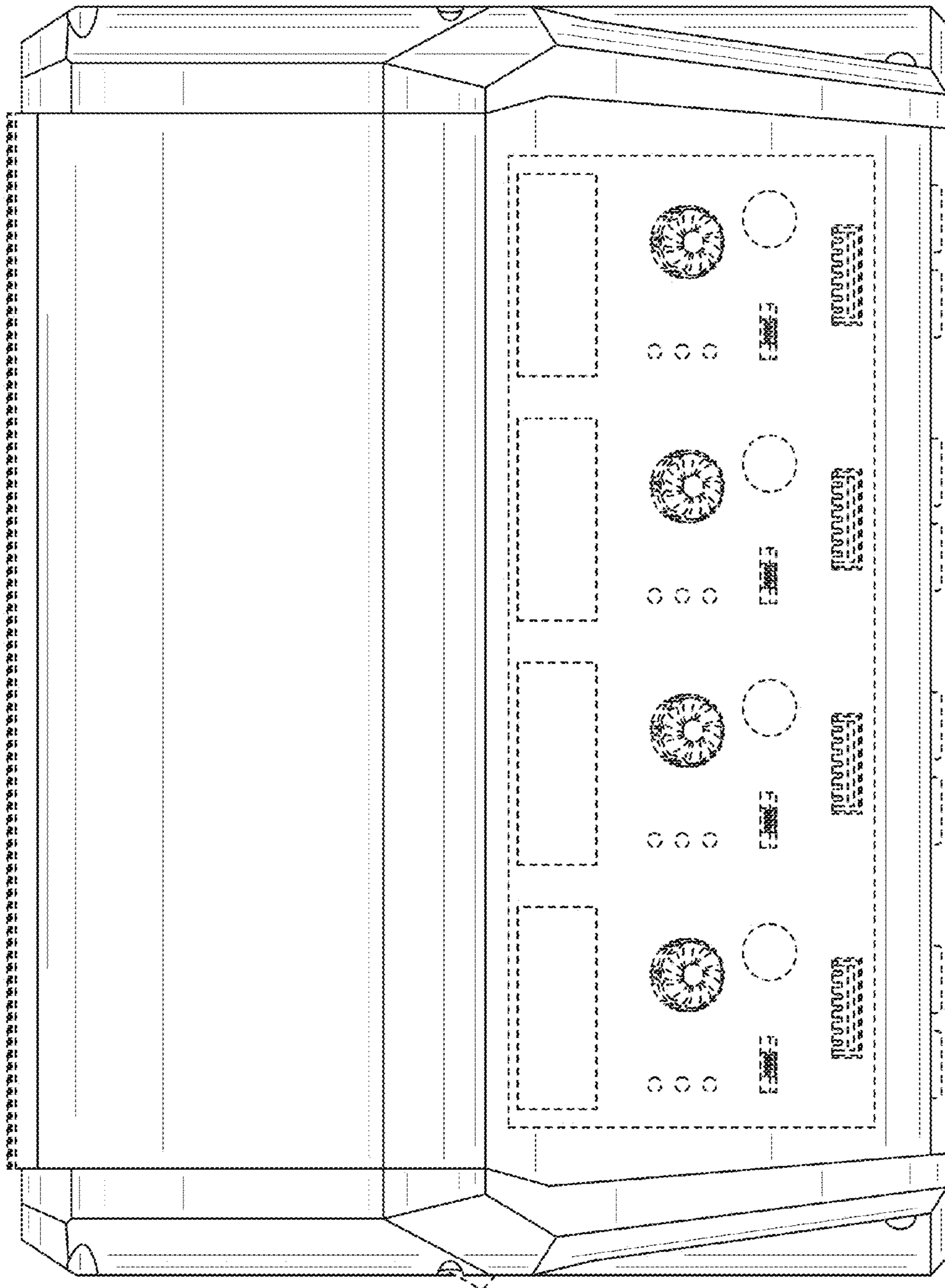


FIG. 6

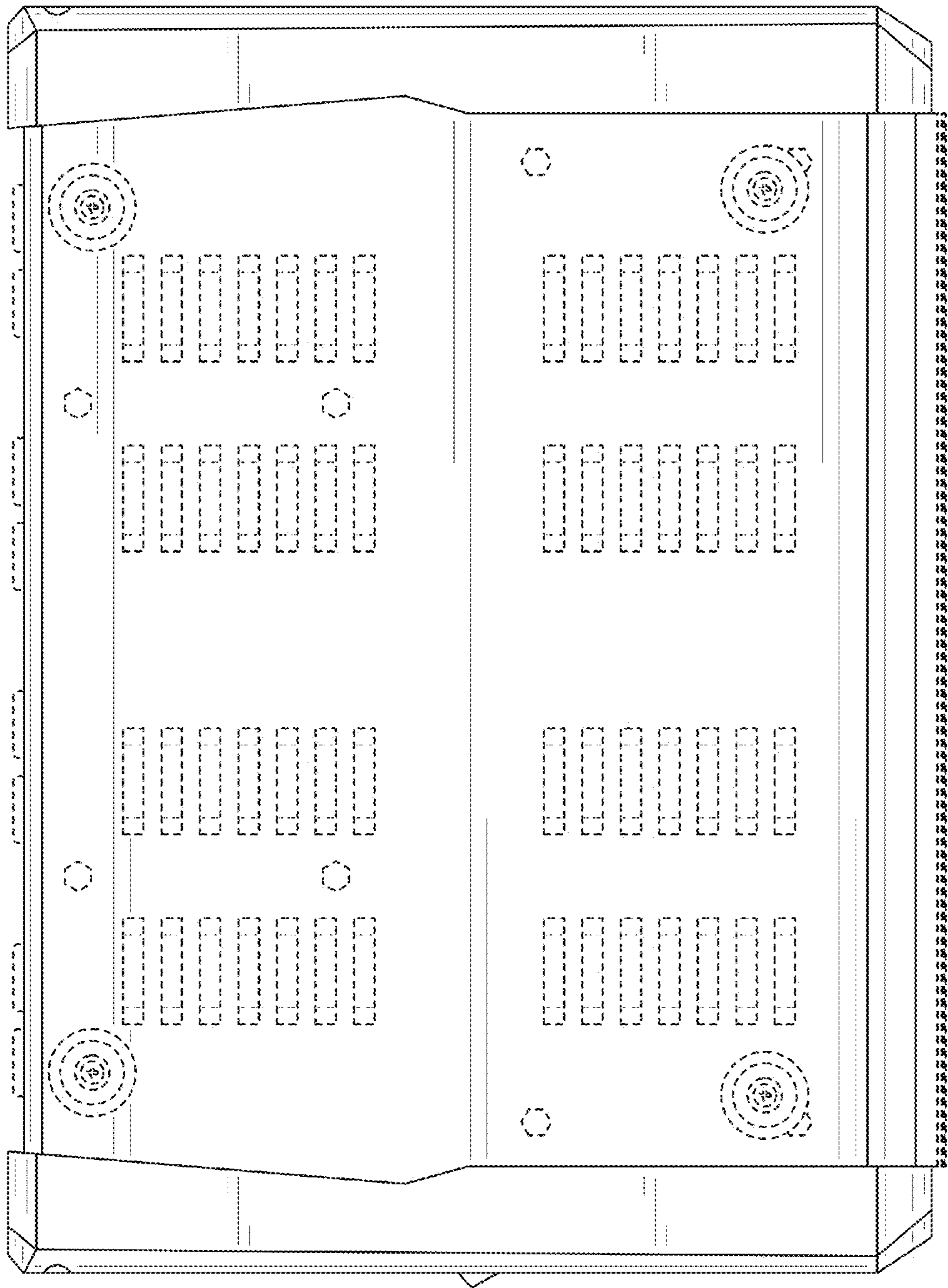


FIG. 7

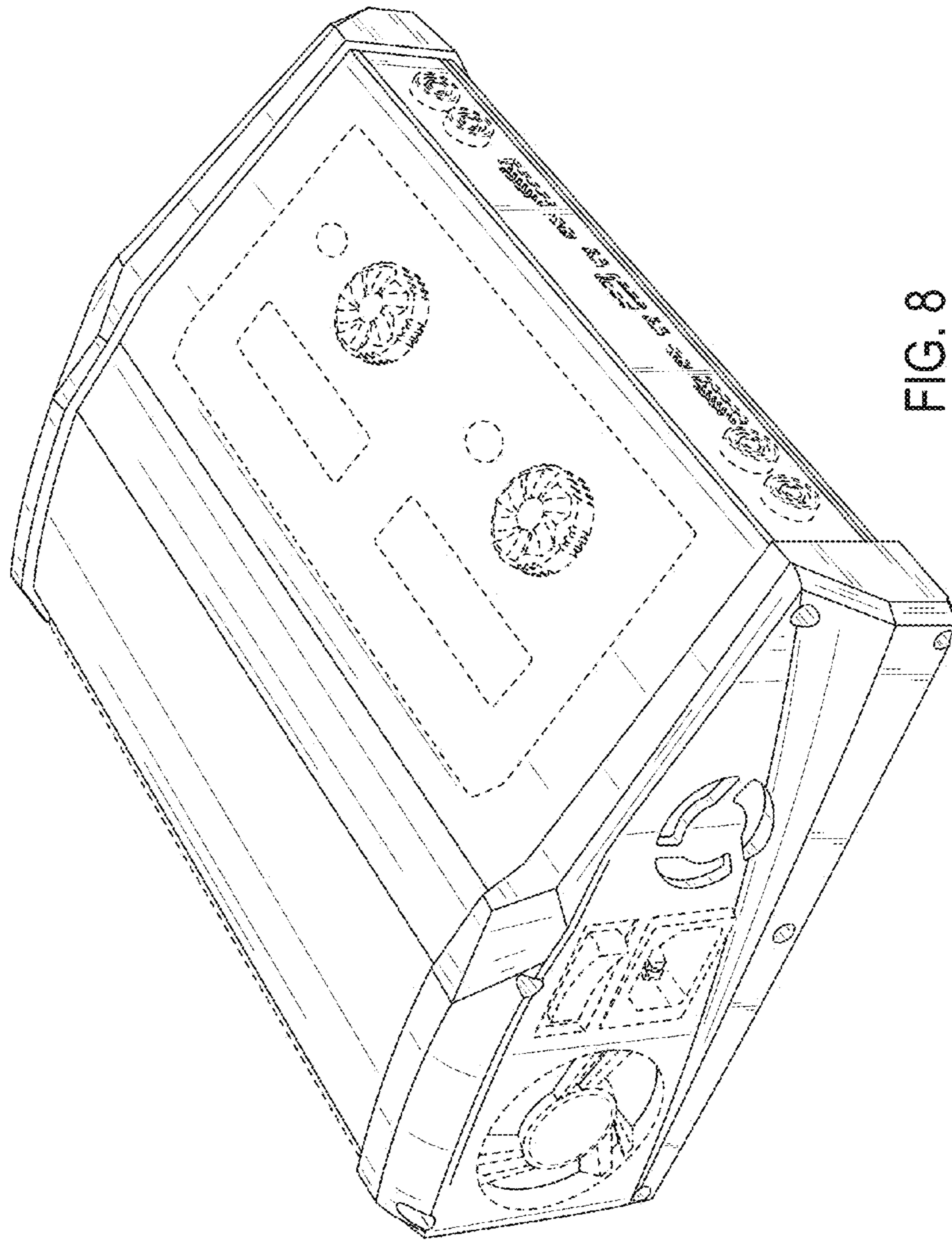


FIG. 8

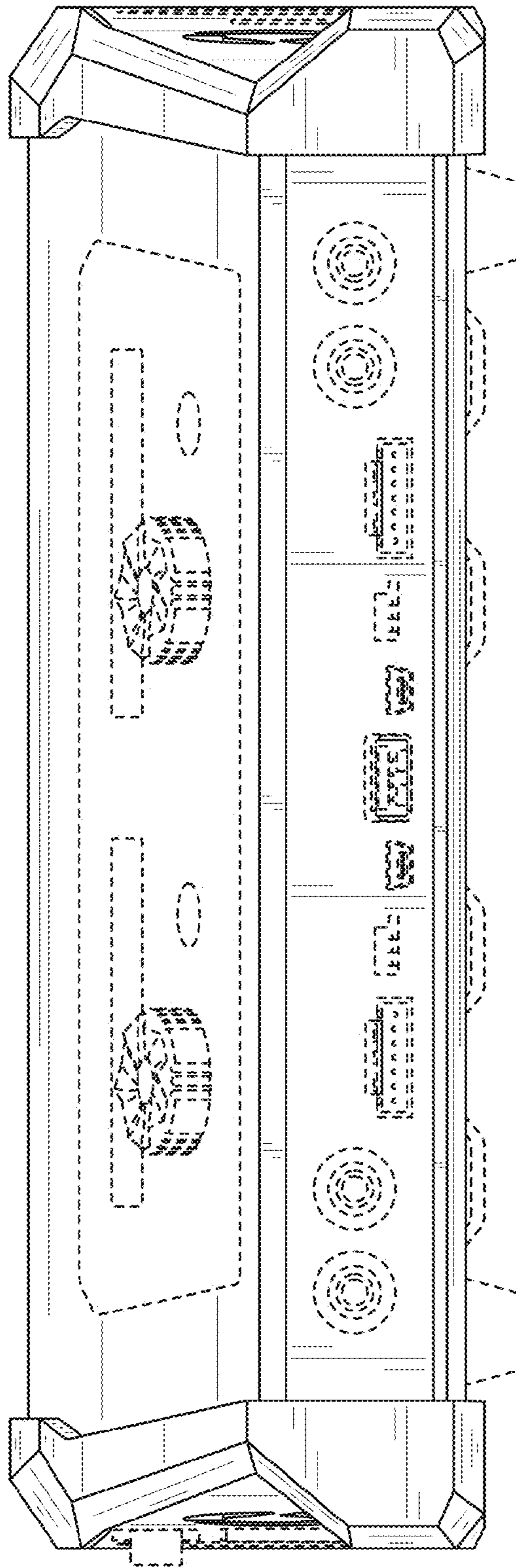


FIG. 9

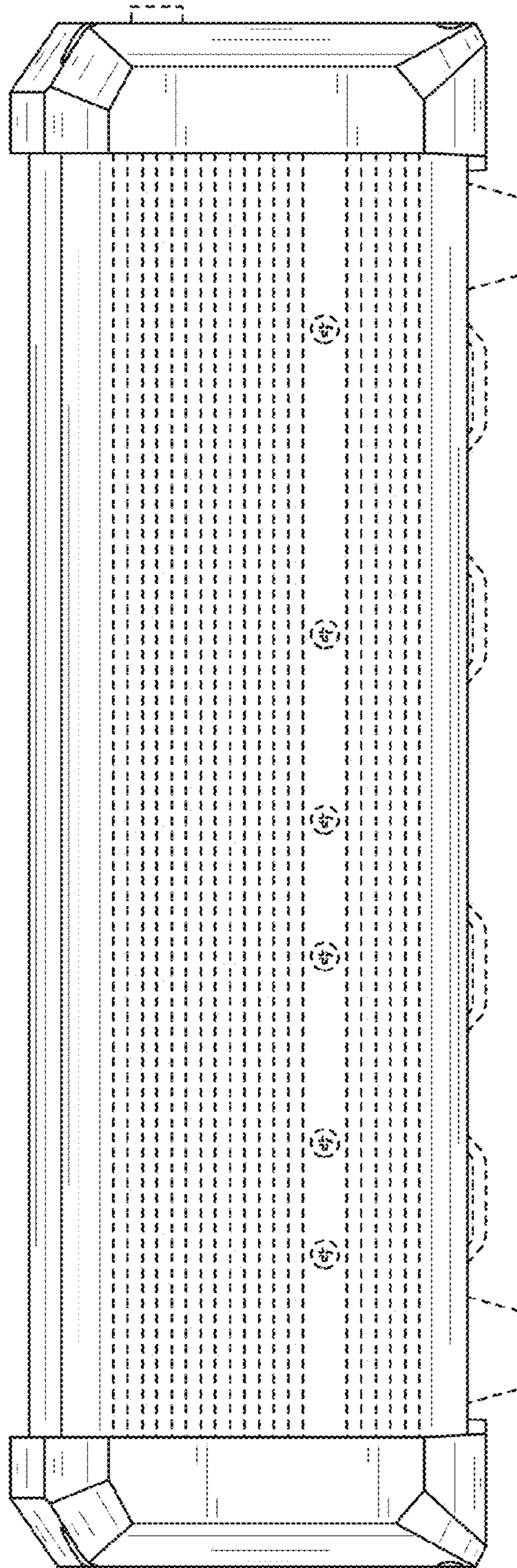


FIG. 10

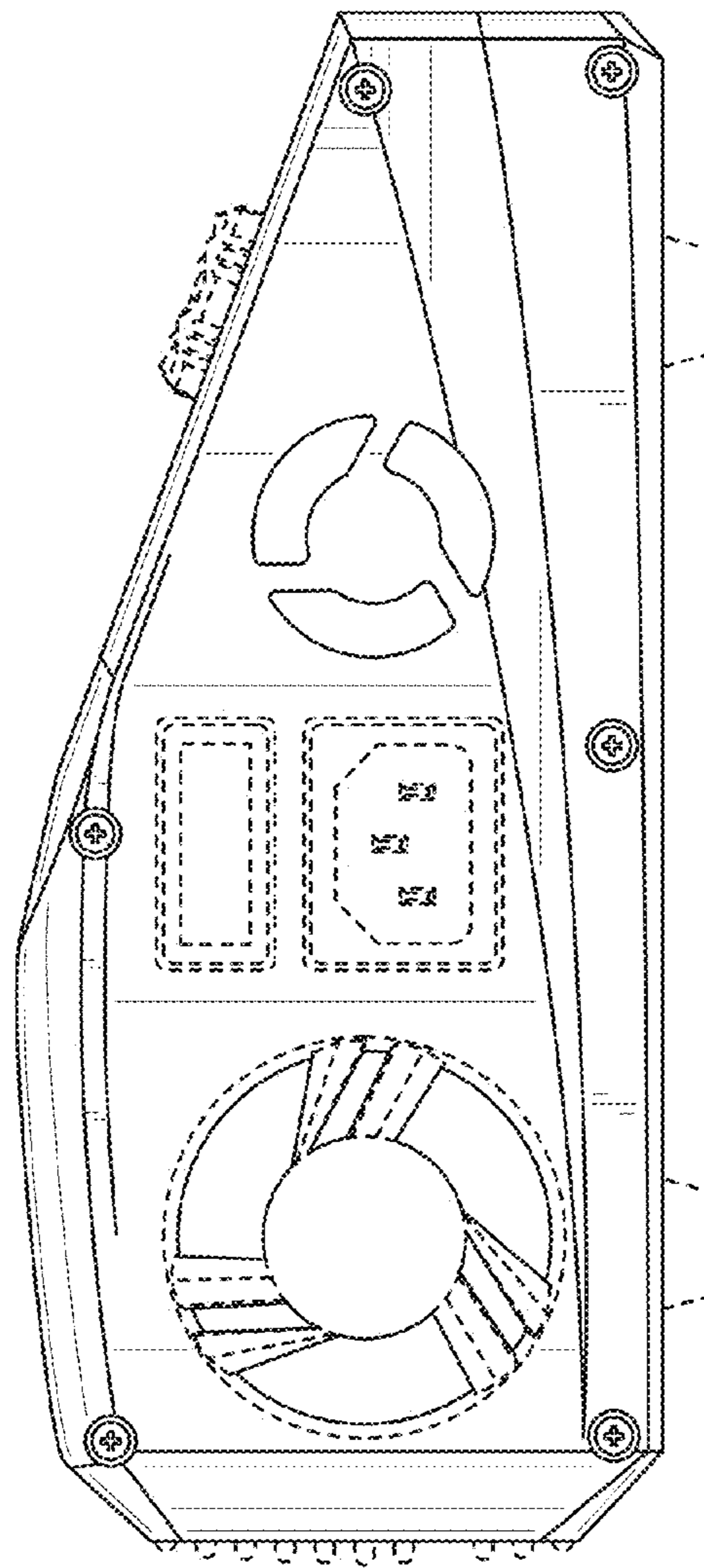


FIG. 11

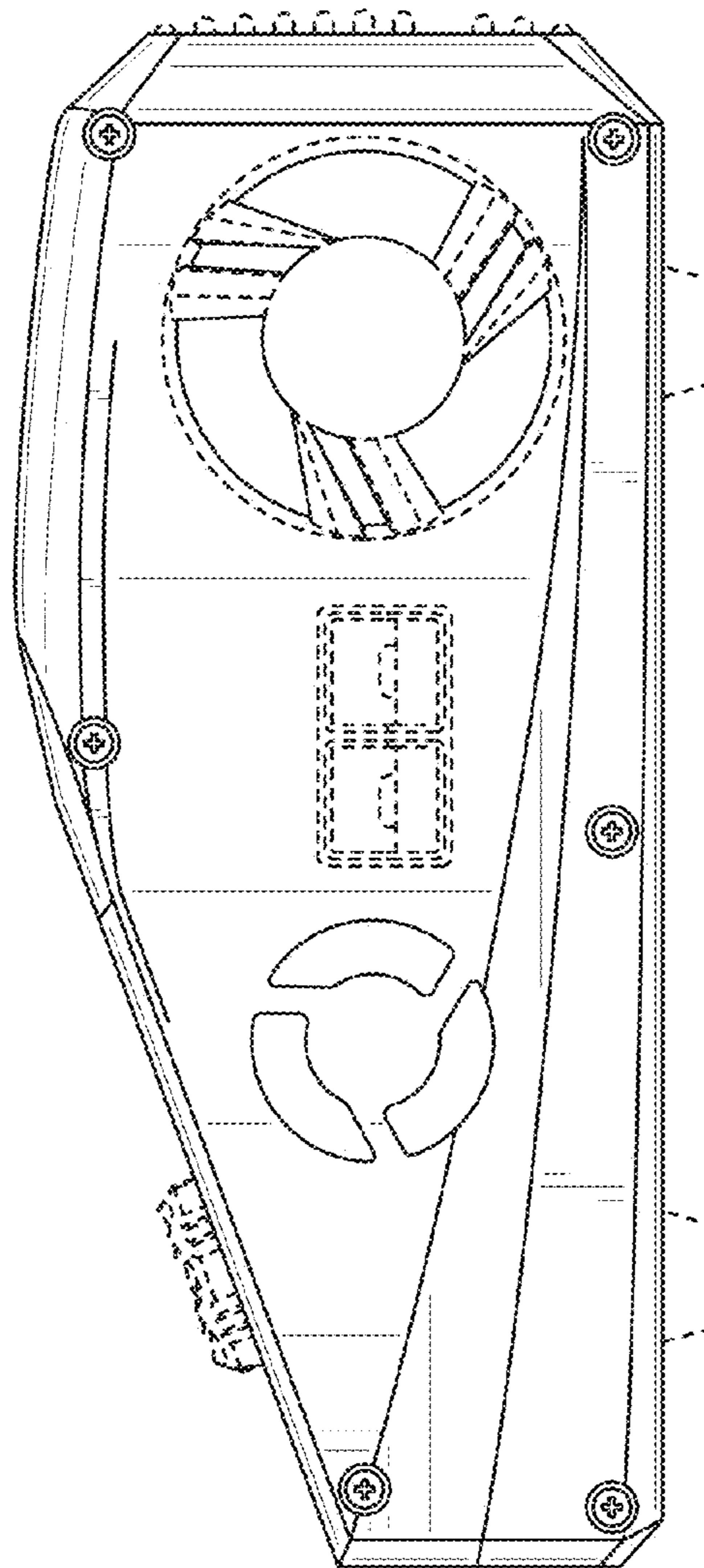


FIG. 12

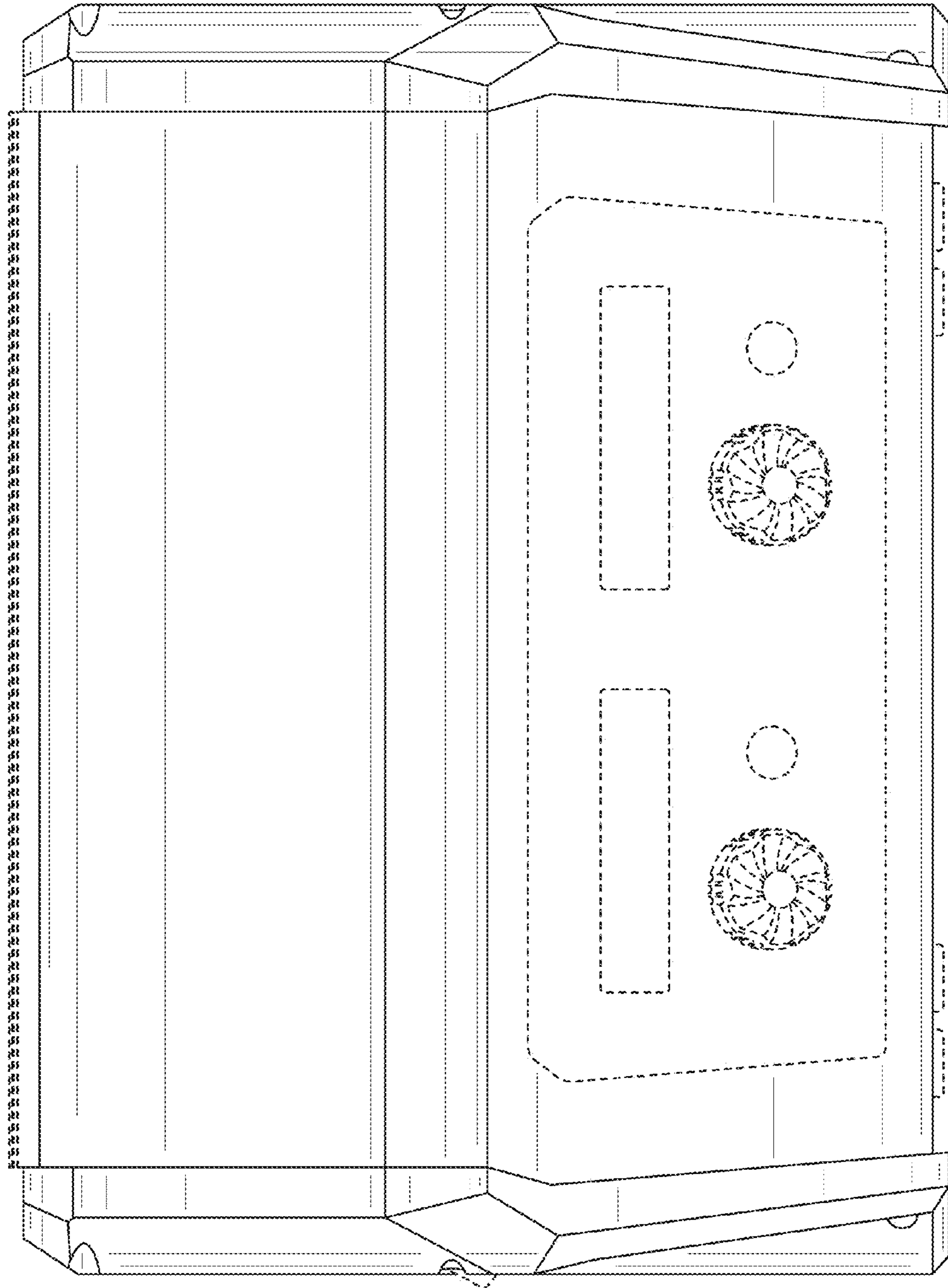


FIG. 13

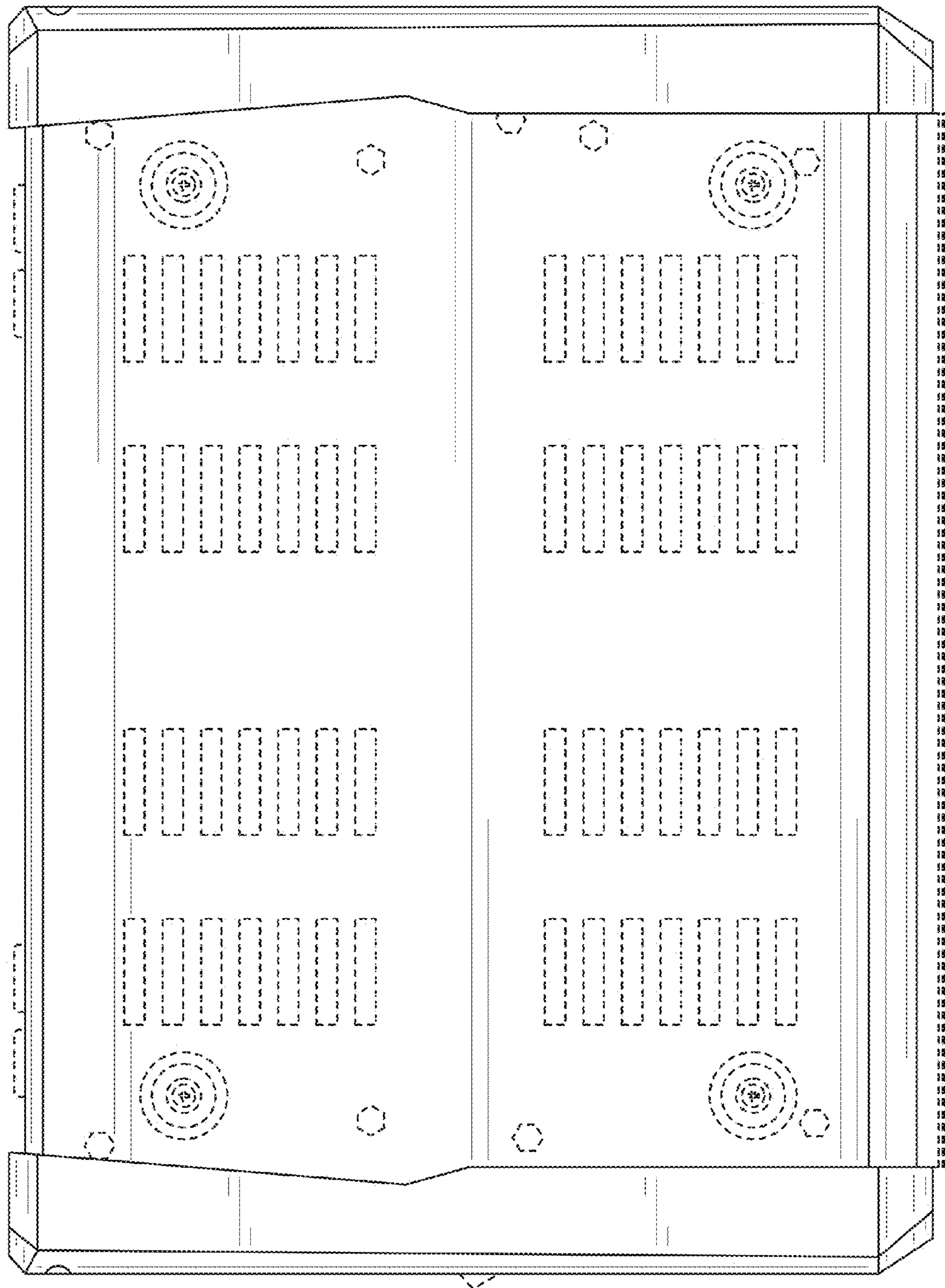


FIG. 14