



US00D762567S

(12) **United States Design Patent**
Blaustein et al.

(10) **Patent No.:** **US D762,567 S**

(45) **Date of Patent:** **** Aug. 2, 2016**

(54) **USB BATTERY CHARGER**

(71) Applicant: **MIMOCO**, Boston, MA (US)

(72) Inventors: **Evan Blaustein**, Newton, MA (US);
James McGee, Winthrop, MA (US);
Rob Colonna, Boston, MA (US); **Lillian Chan**, Boston, MA (US); **Jonathan Straube**, Medway, MA (US)

(73) Assignee: **Mimoco**, Boston, MA (US)

(**) Term: **14 Years**

(21) Appl. No.: **29/469,666**

(22) Filed: **Oct. 11, 2013**

(51) **LOC (10) Cl.** **13-02**

(52) **U.S. Cl.**
USPC **D13/107**

(58) **Field of Classification Search**
USPC D13/107, 103, 105, 119; D21/621, 623;
320/113, 114, 115; 446/177; D11/157,
D11/160; 455/557

CPC G06F 12/02; Y02E 60/12; H01R 13/6675;
H02J 7/025

See application file for complete search history.

(56) **References Cited**

U.S. PATENT DOCUMENTS

2,968,121	A *	1/1961	Pearson, Jr. et al.	446/177
3,260,016	A *	7/1966	Goldfarb	A63H 11/00 446/354
D226,773	S *	4/1973	Ehrentrelch	446/311
D233,056	S *	10/1974	Doe	D21/594
D249,371	S *	9/1978	Salt	D21/630
D269,534	S *	6/1983	Garth	D21/585
D341,103	S *	11/1993	Domenig	D11/131
5,454,746	A *	10/1995	Guegan	A63H 3/003 446/268
D437,822	S *	2/2001	Gray	D11/160
D438,171	S *	2/2001	Tang et al.	D13/107
D501,898	S *	2/2005	Rutherford et al.	D21/623

7,030,592 B2 * 4/2006 Yu 320/137
D523,017 S * 6/2006 Blaustein D14/480.2
D531,542 S * 11/2006 McGowen D11/160

(Continued)

Primary Examiner — Paula Greene

(74) *Attorney, Agent, or Firm* — Ziegler IP Law Group, LLC

(57) **CLAIM**

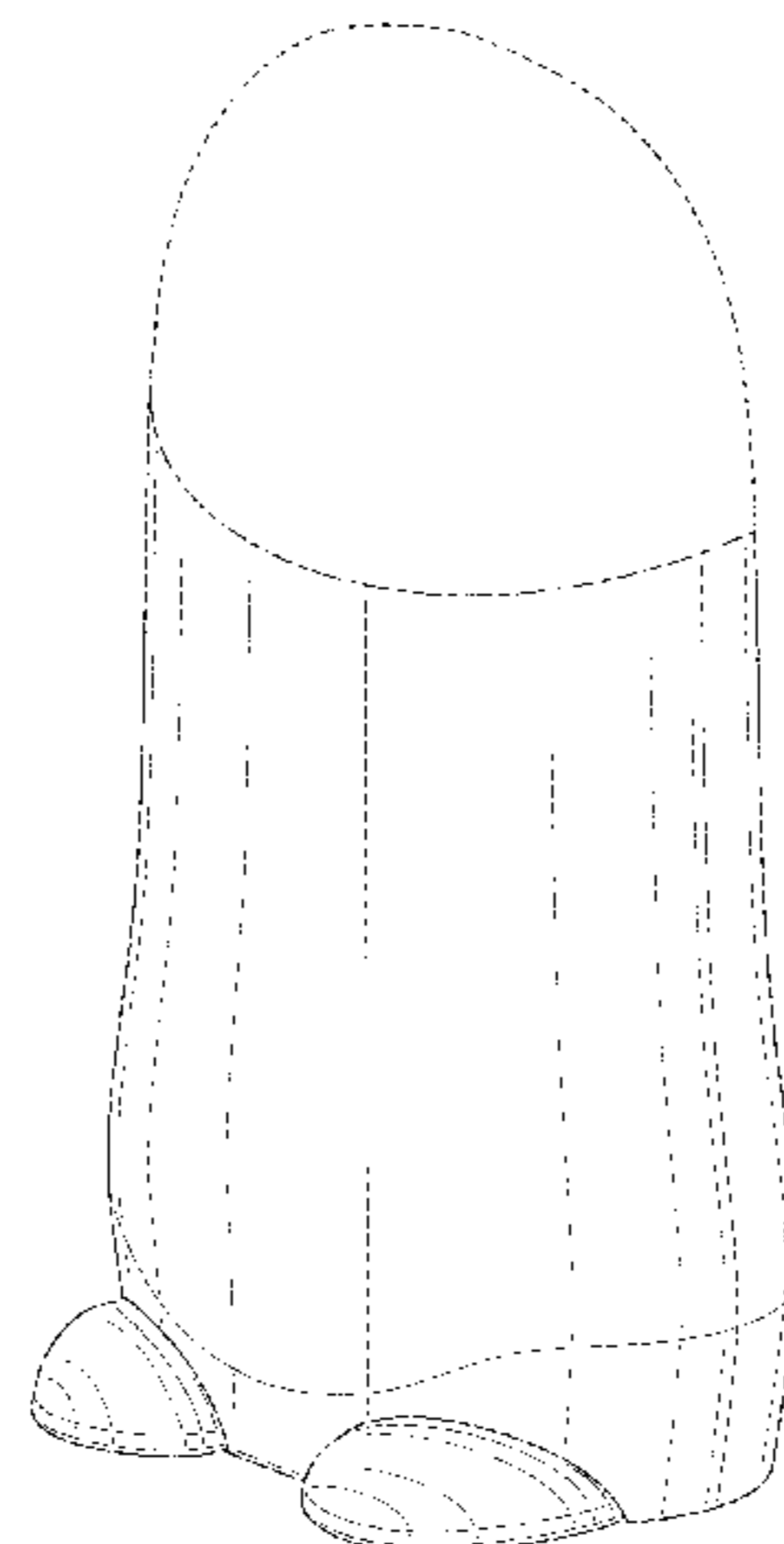
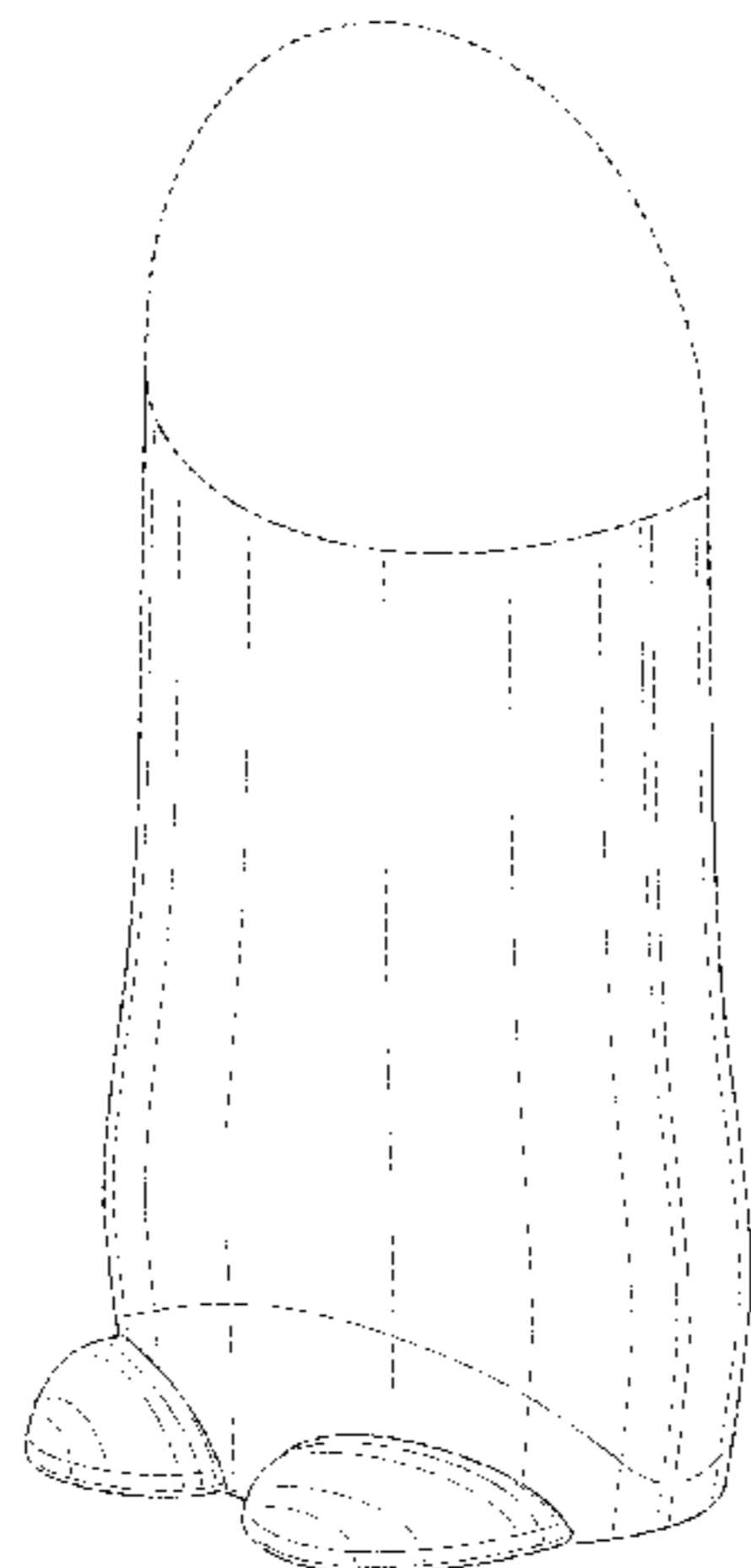
The ornamental design of a USB battery charger, as shown and described.

DESCRIPTION

FIG. 1 is a front perspective view of a first embodiment of a USB battery charger showing our new design;
 FIG. 2 is a front view thereof;
 FIG. 3 is a back view thereof;
 FIG. 4 is a right side view thereof;
 FIG. 5 is a left side view thereof;
 FIG. 6 is a top plan view thereof;
 FIG. 7 is a bottom plan view thereof;
 FIG. 8 is a front perspective view of a second embodiment of a USB battery charger showing our new design;
 FIG. 9 is a front view thereof;
 FIG. 10 is a rear view thereof;
 FIG. 11 is a right side view thereof;
 FIG. 12 is a left side view thereof;
 FIG. 13 is a top plan top plan view thereof;
 FIG. 14 is a bottom plan view thereof;
 FIG. 15 is a front perspective view of a third embodiment of a USB battery charger showing our new design;
 FIG. 16 is a front view thereof;
 FIG. 17 is a rear view thereof;
 FIG. 18 is a right side view thereof;
 FIG. 19 is a left side view thereof;
 FIG. 20 is a top plan view thereof; and,
 FIG. 21 is a bottom plan view thereof.

The broken lines appearing in the drawings are for the purpose of illustrating portions of the article in which the design is embodied. Portions of the article appearing in broken lines form no part of the claimed design.

1 Claim, 20 Drawing Sheets



(56)

References Cited

U.S. PATENT DOCUMENTS

D552,409 S *	10/2007	Vendl	D7/354	7,719,229 B2 *	5/2010	Kaneko et al.	320/113
D558,209 S *	12/2007	Ikeda et al.	D14/434	D644,645 S *	9/2011	Huang et al.	D14/434
D585,067 S *	1/2009	Puglisi	D14/434	D663,733 S *	7/2012	Ewig	D14/434
7,648,374 B2 *	1/2010	Koskondy	439/135	D664,958 S *	8/2012	McManigal	D14/434
				D673,568 S *	1/2013	Yang	D14/434
				D673,962 S *	1/2013	Blaustein et al.	D14/480.2
				D673,963 S *	1/2013	Blaustein et al.	D14/480.6

* cited by examiner

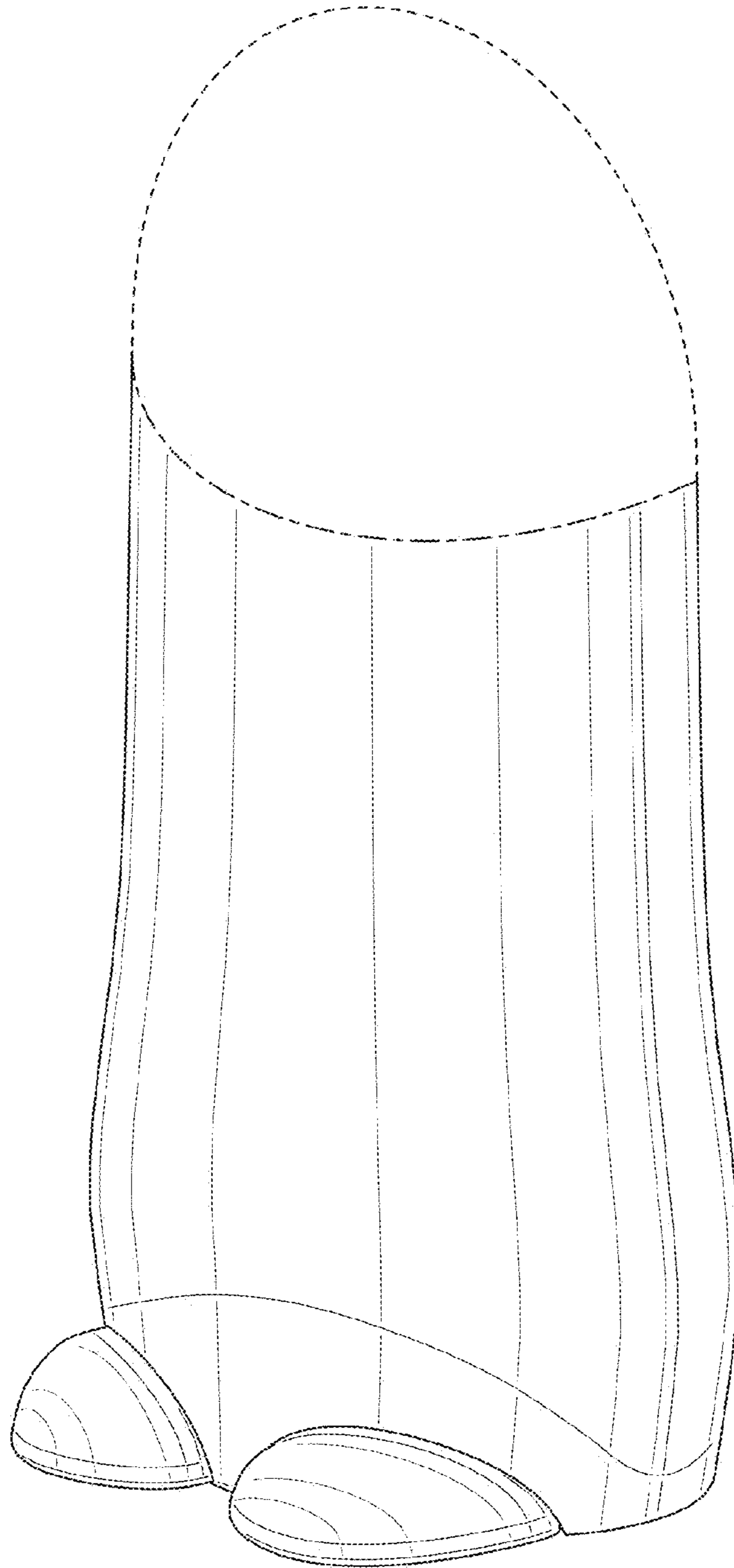


FIG. 1

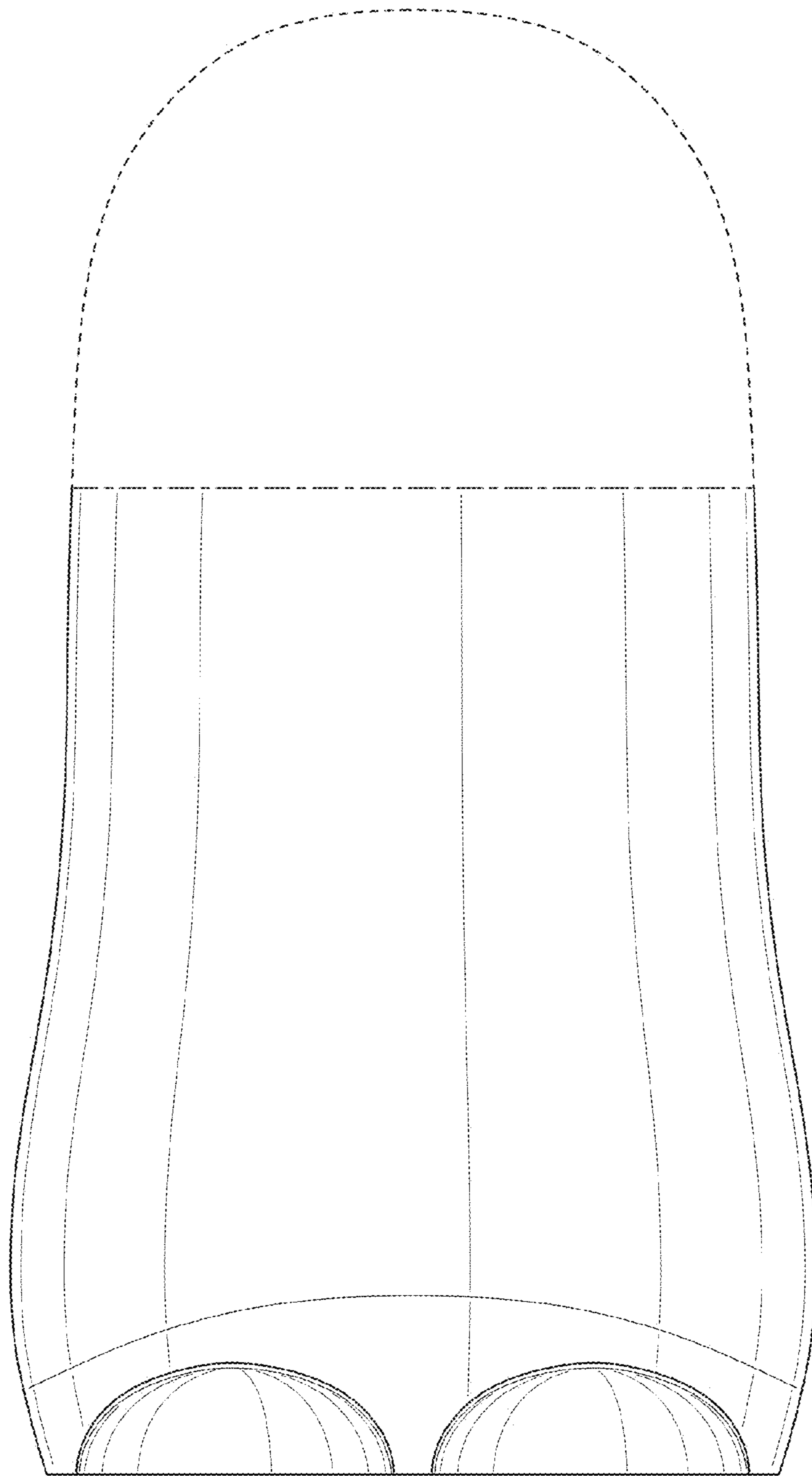


FIG. 2

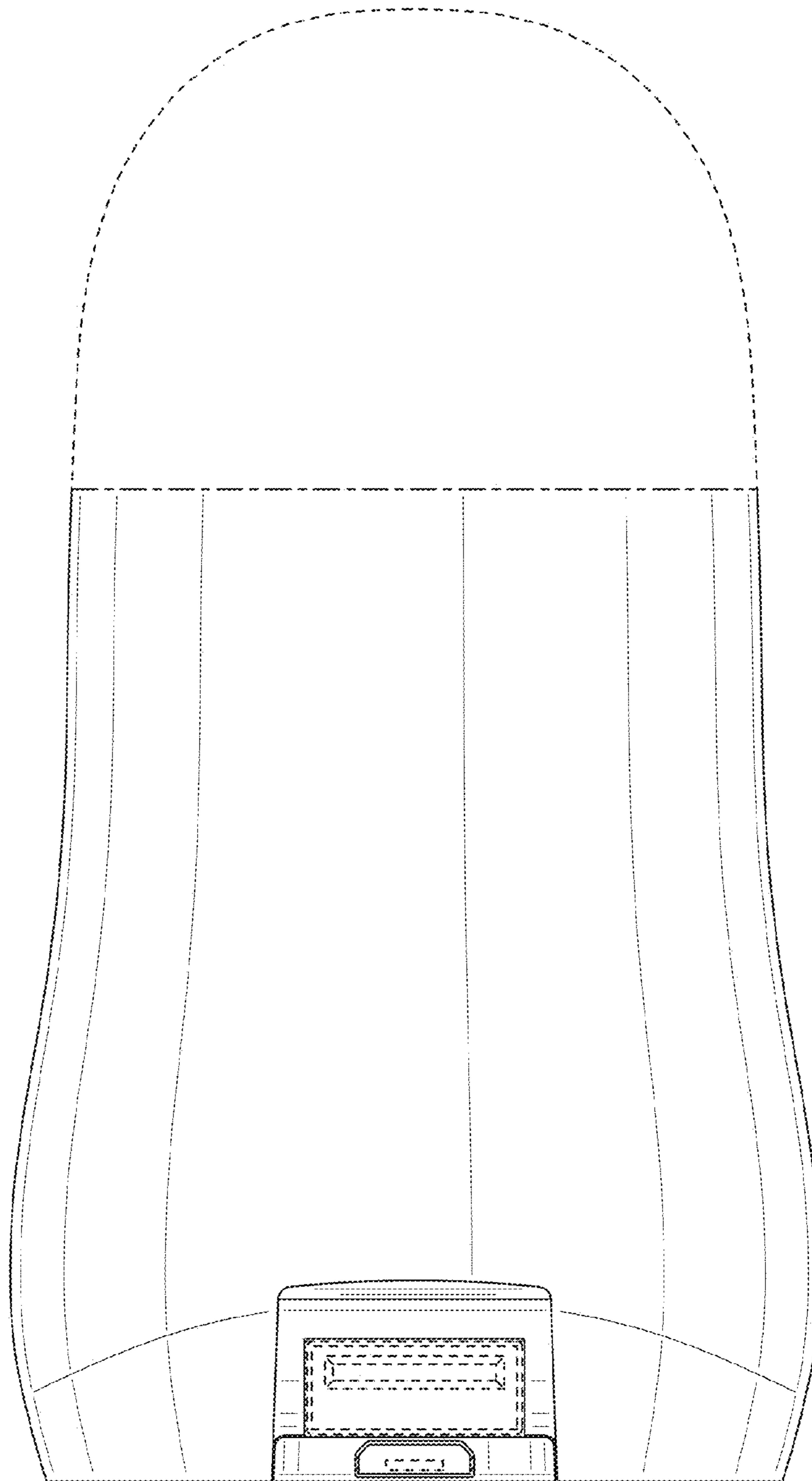


FIG. 3

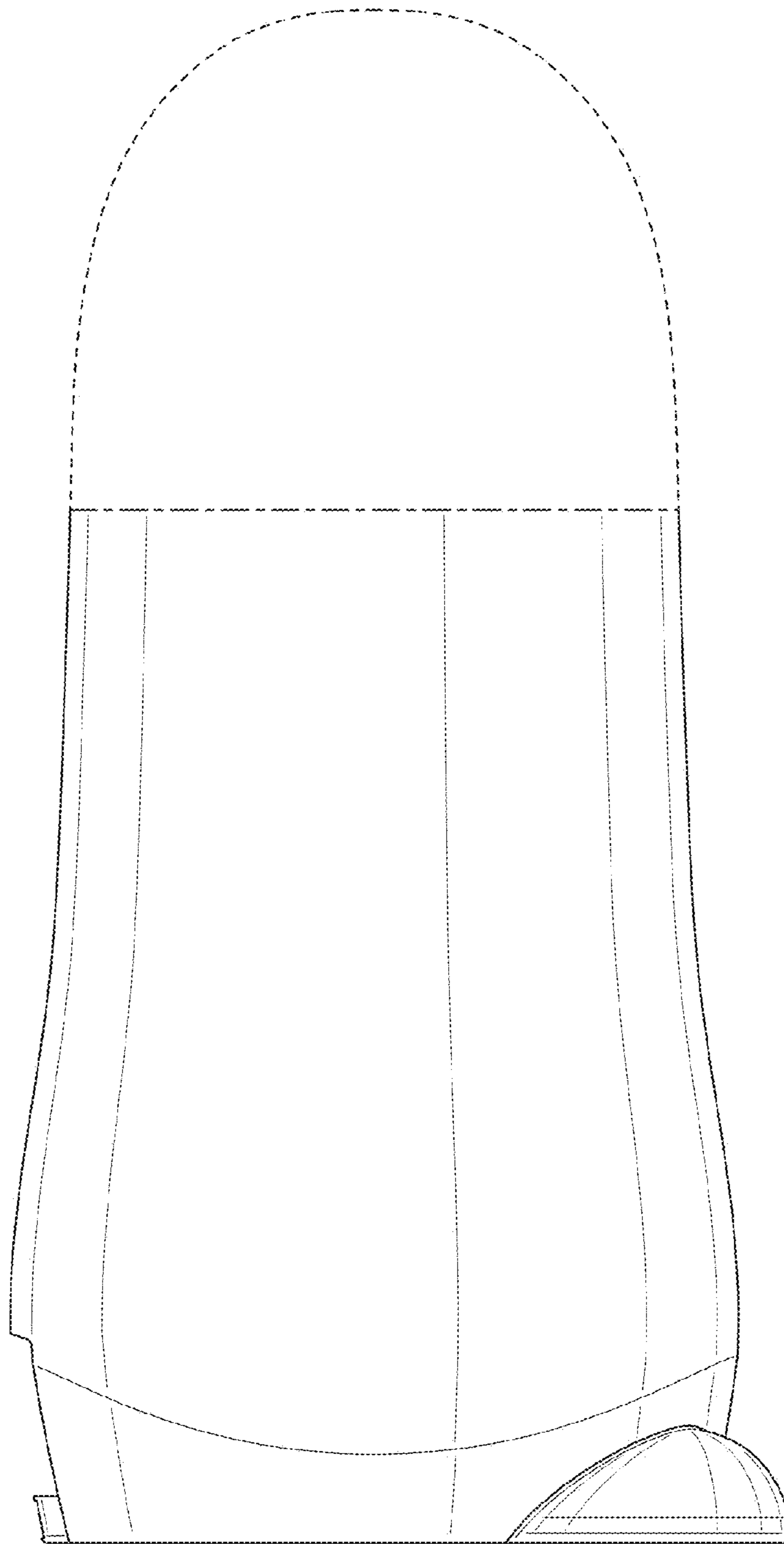


FIG. 4

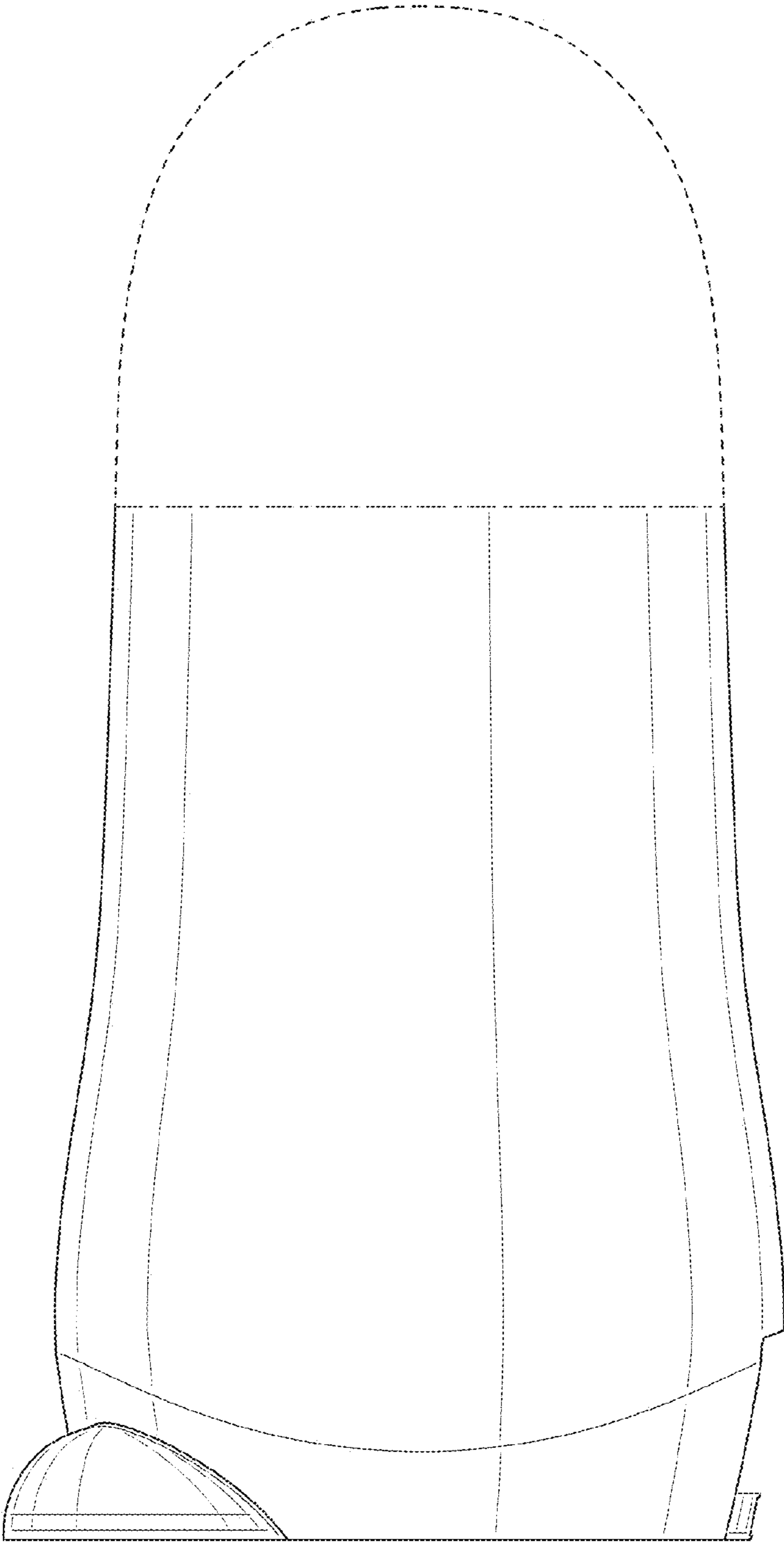


FIG. 5

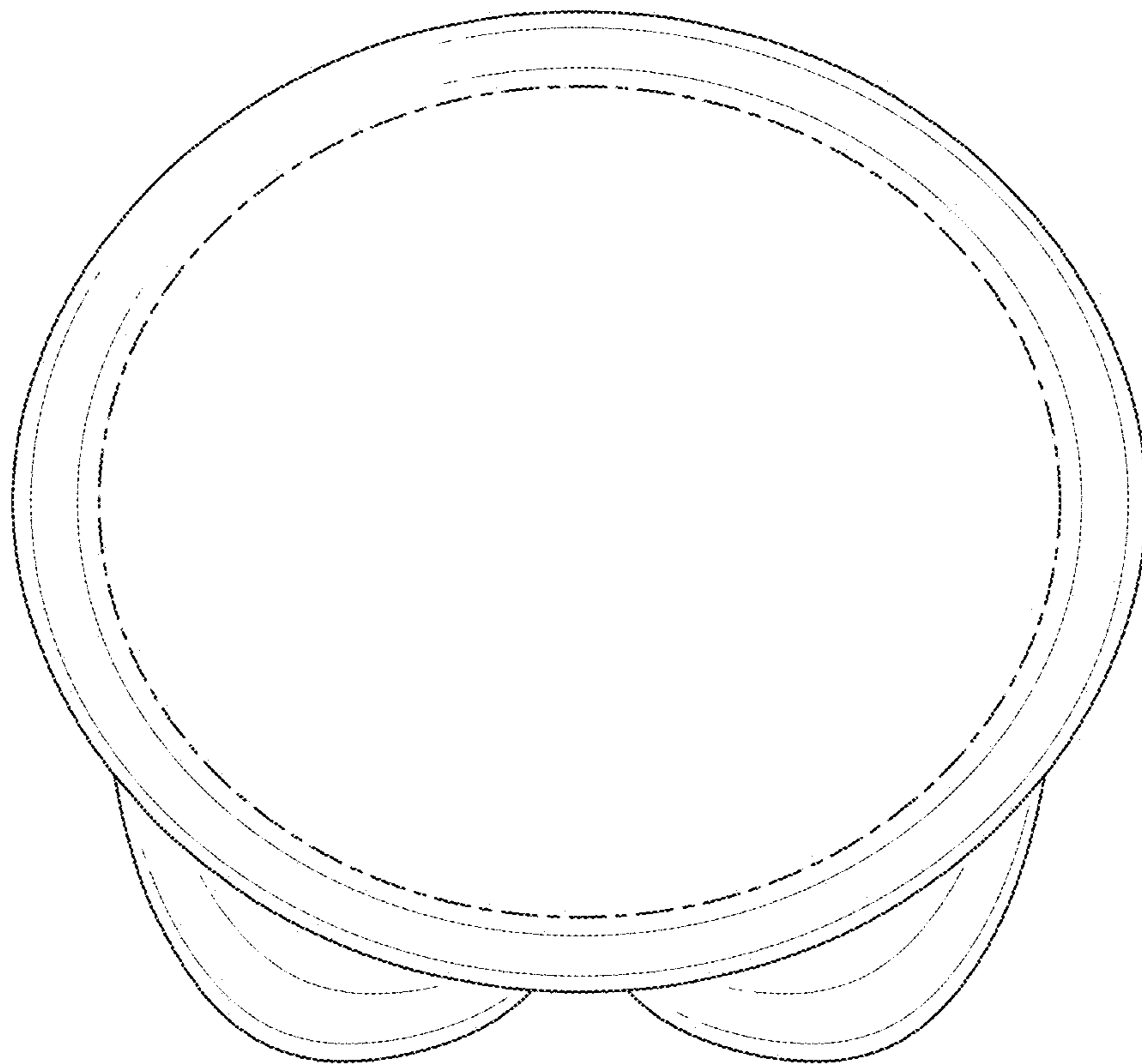


FIG. 6

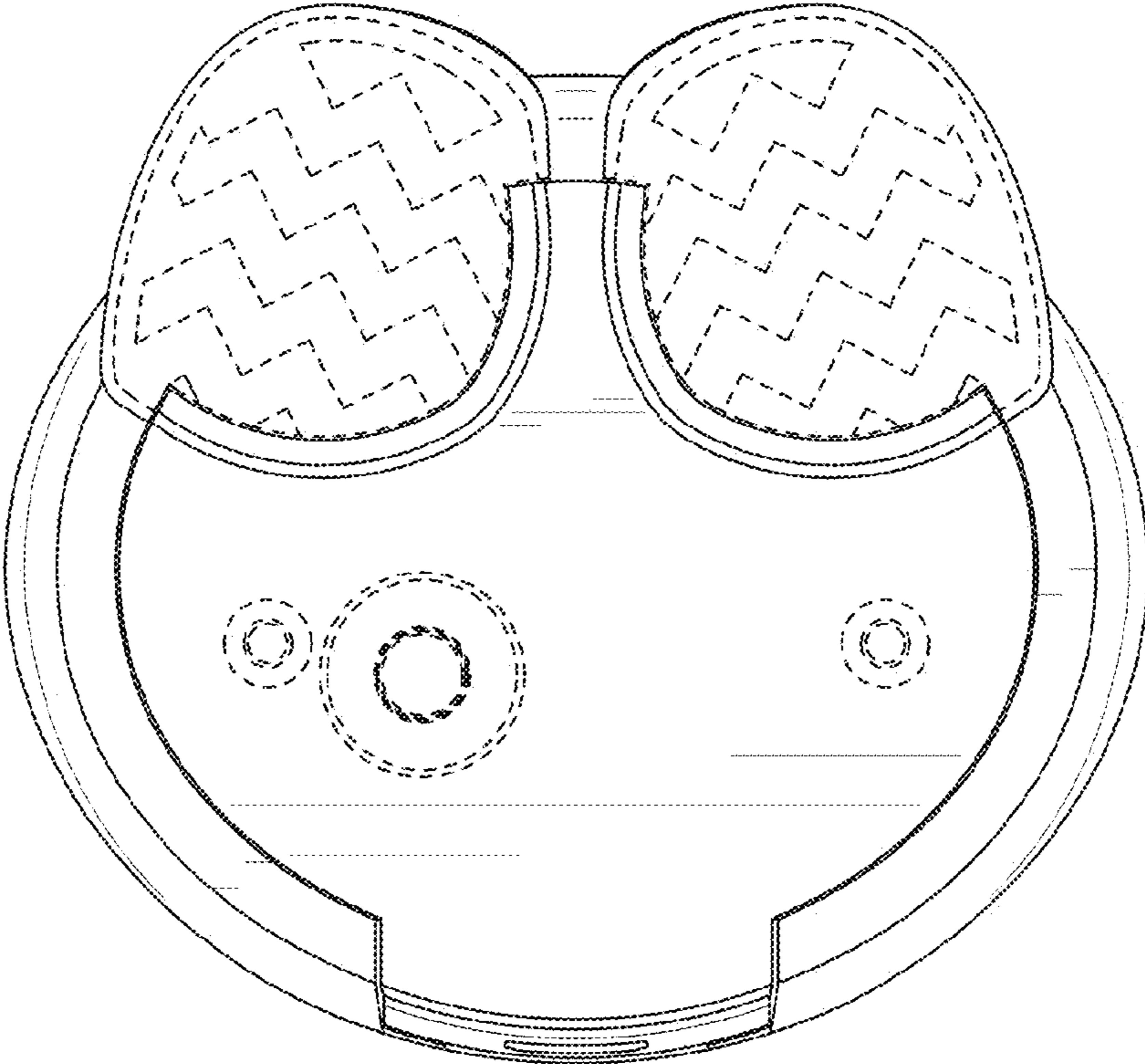


FIG. 7

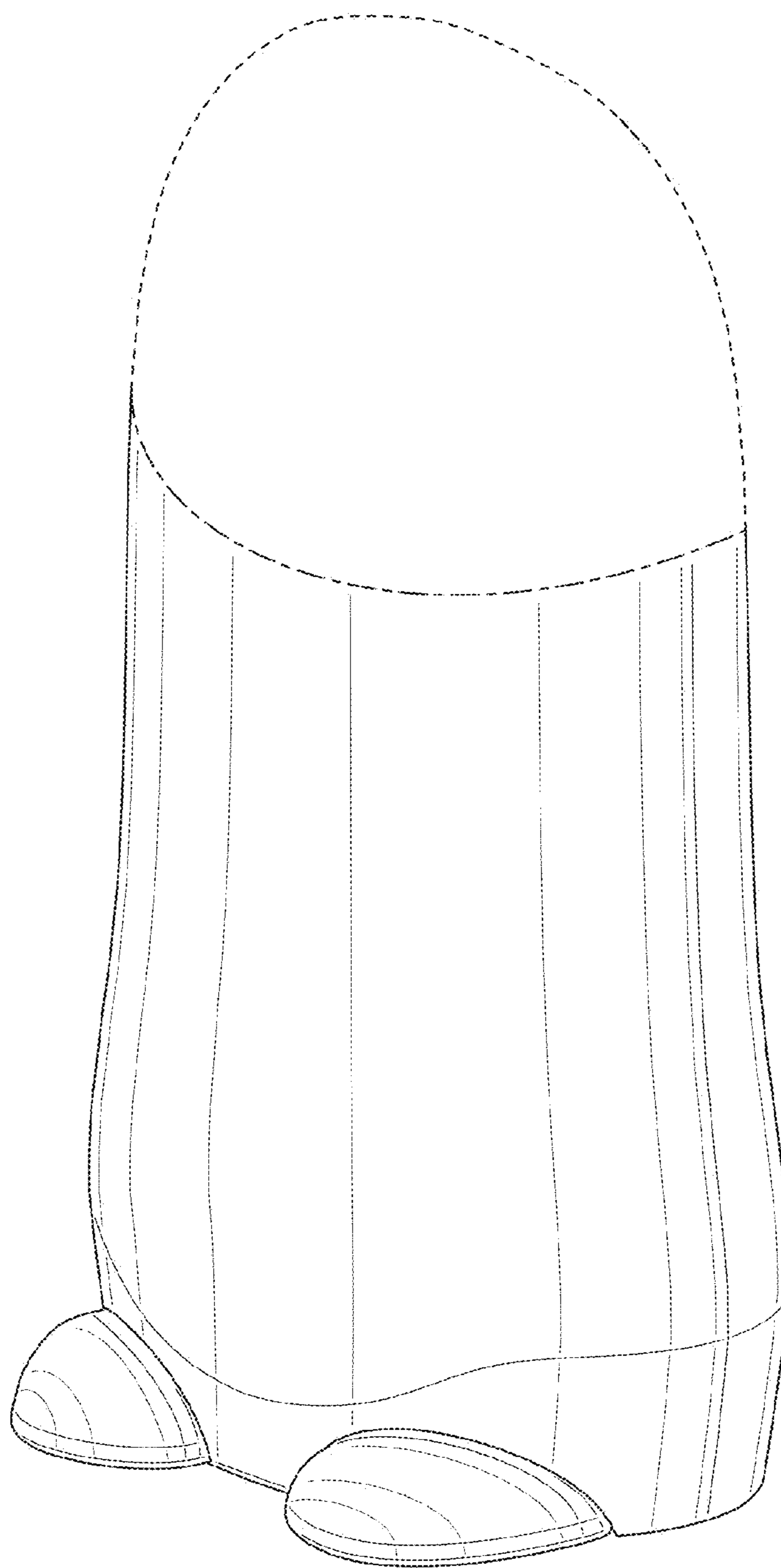


FIG. 8

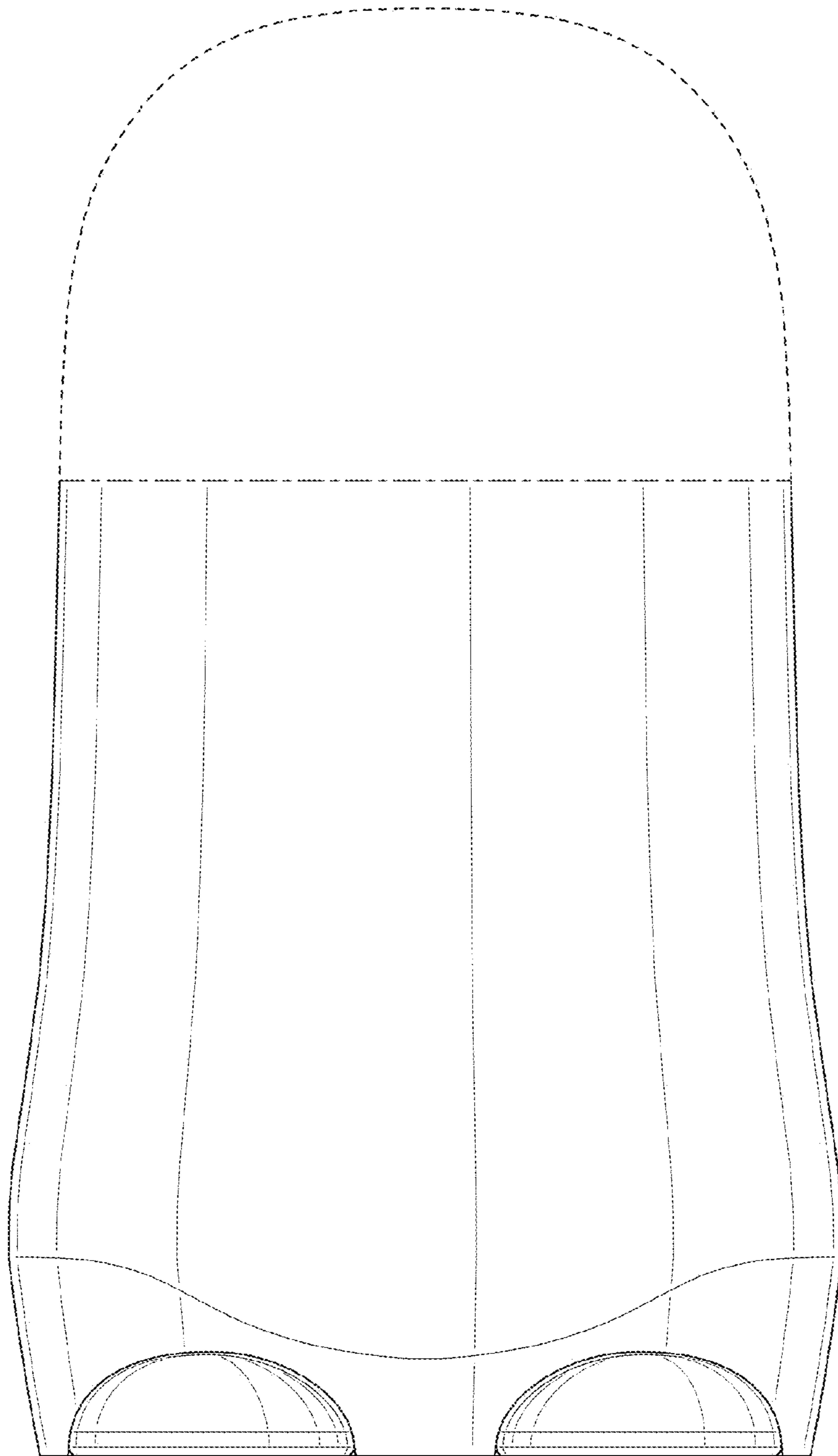


FIG. 9

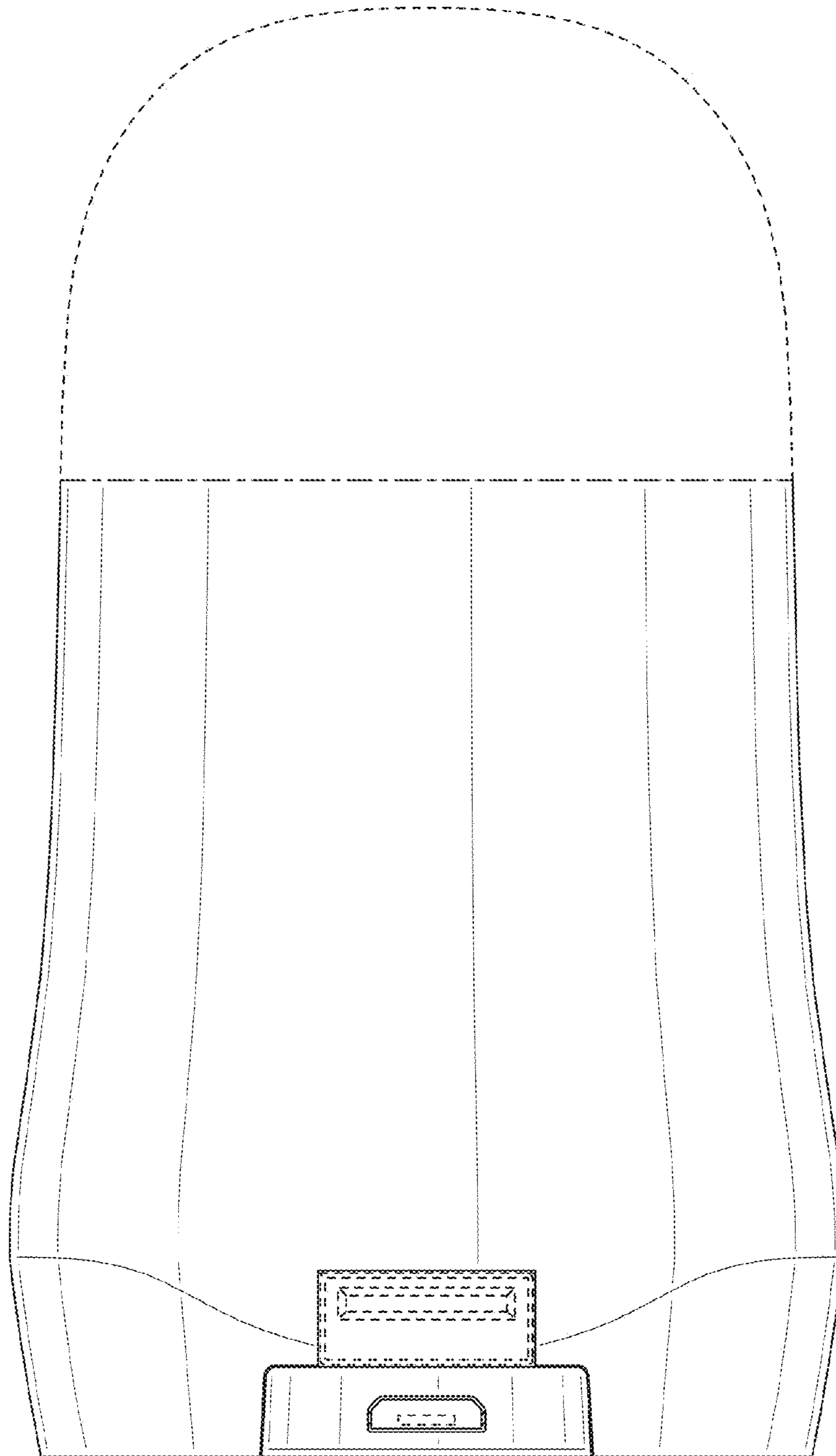


FIG. 10

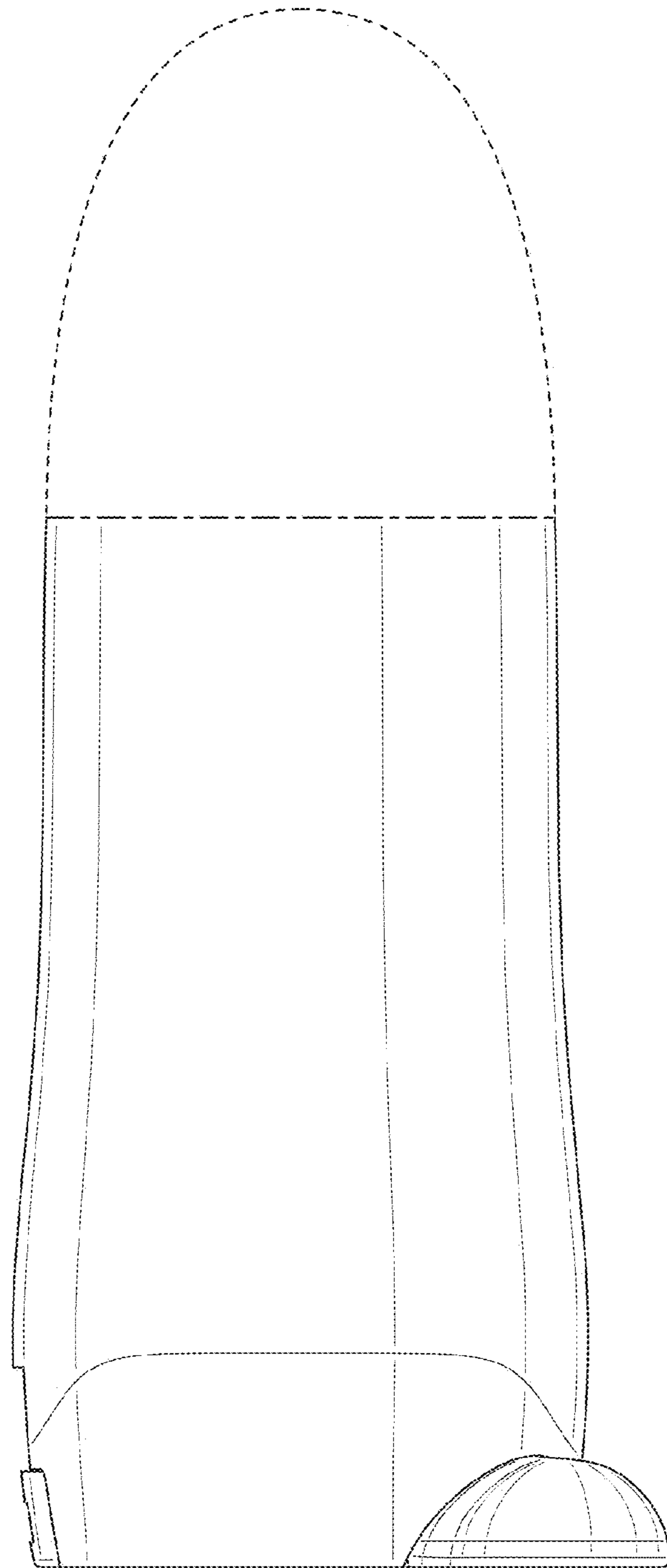


FIG. 11

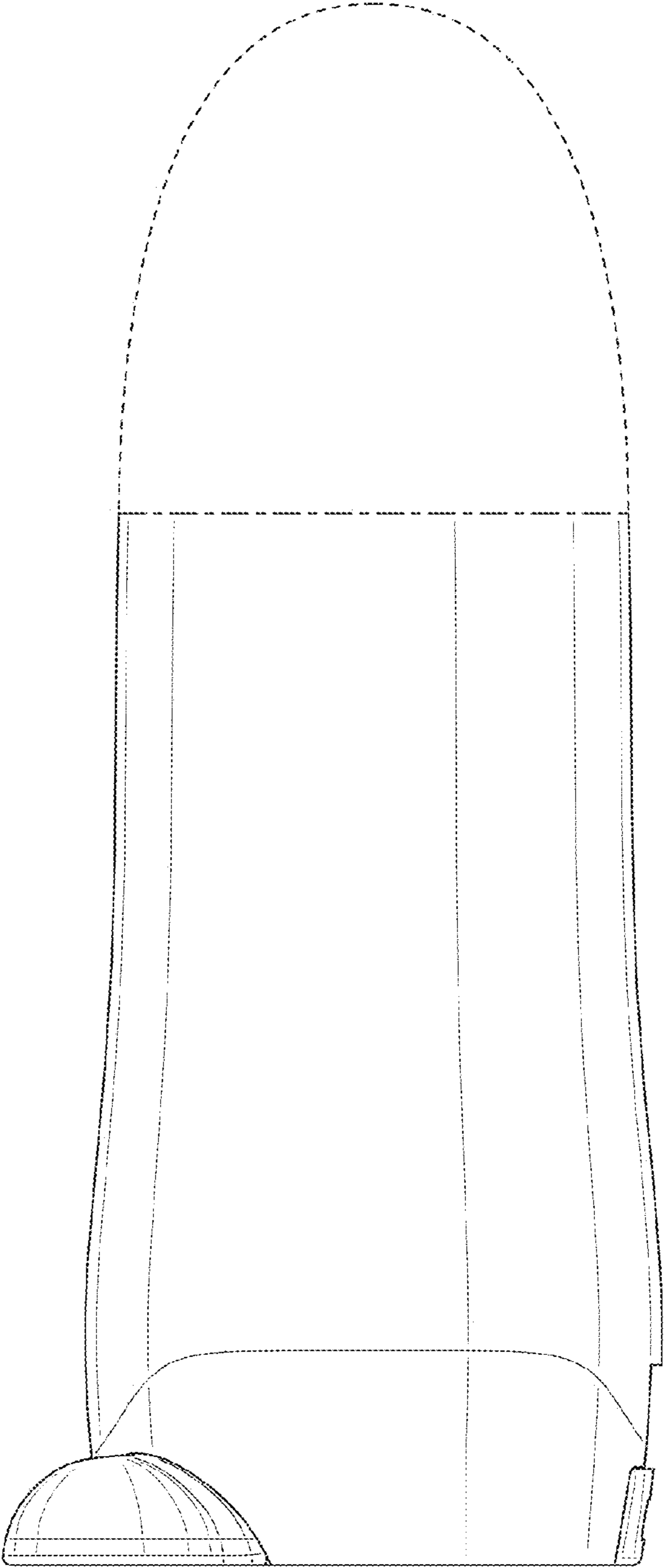


FIG. 12

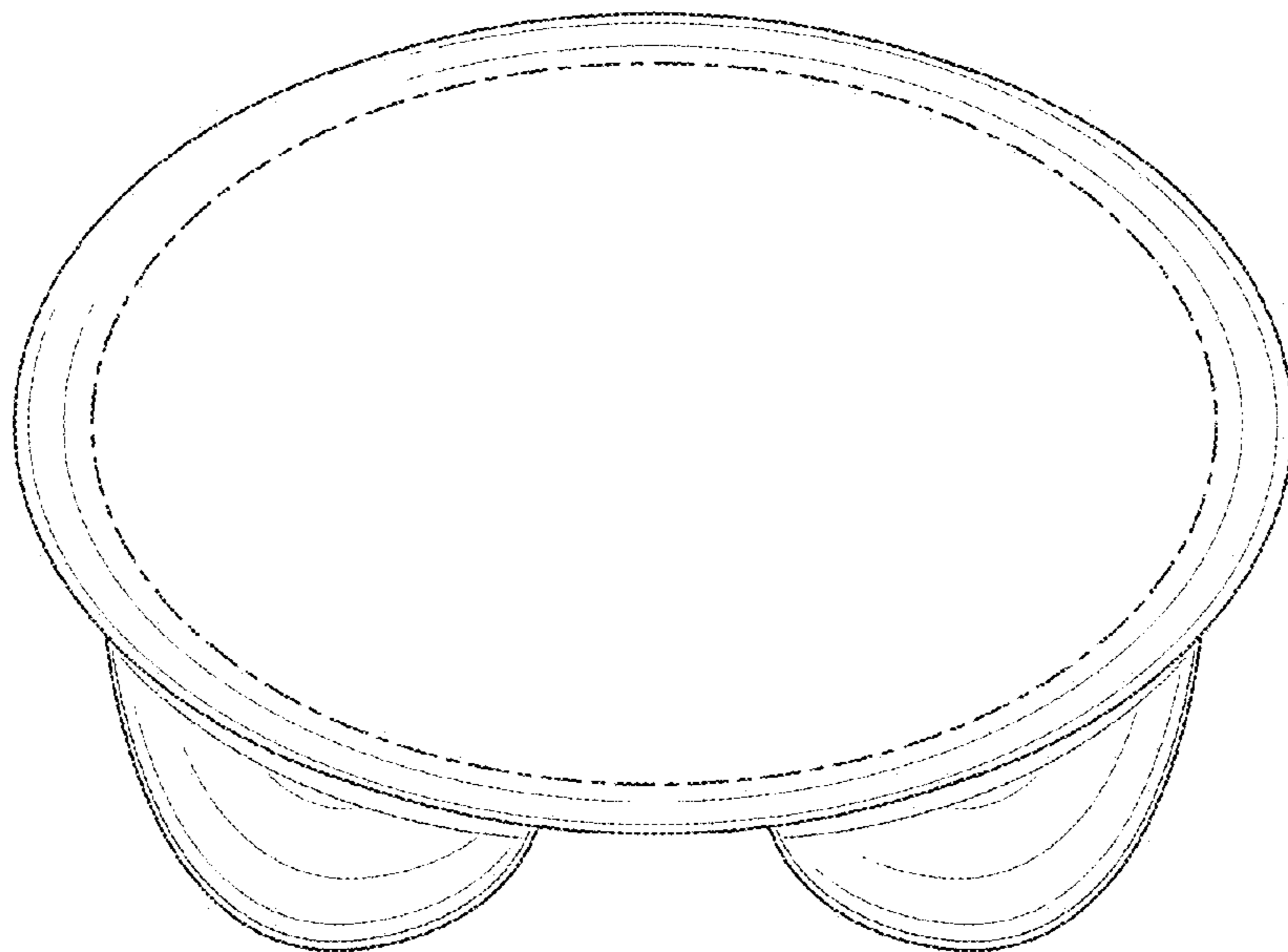


FIG. 13

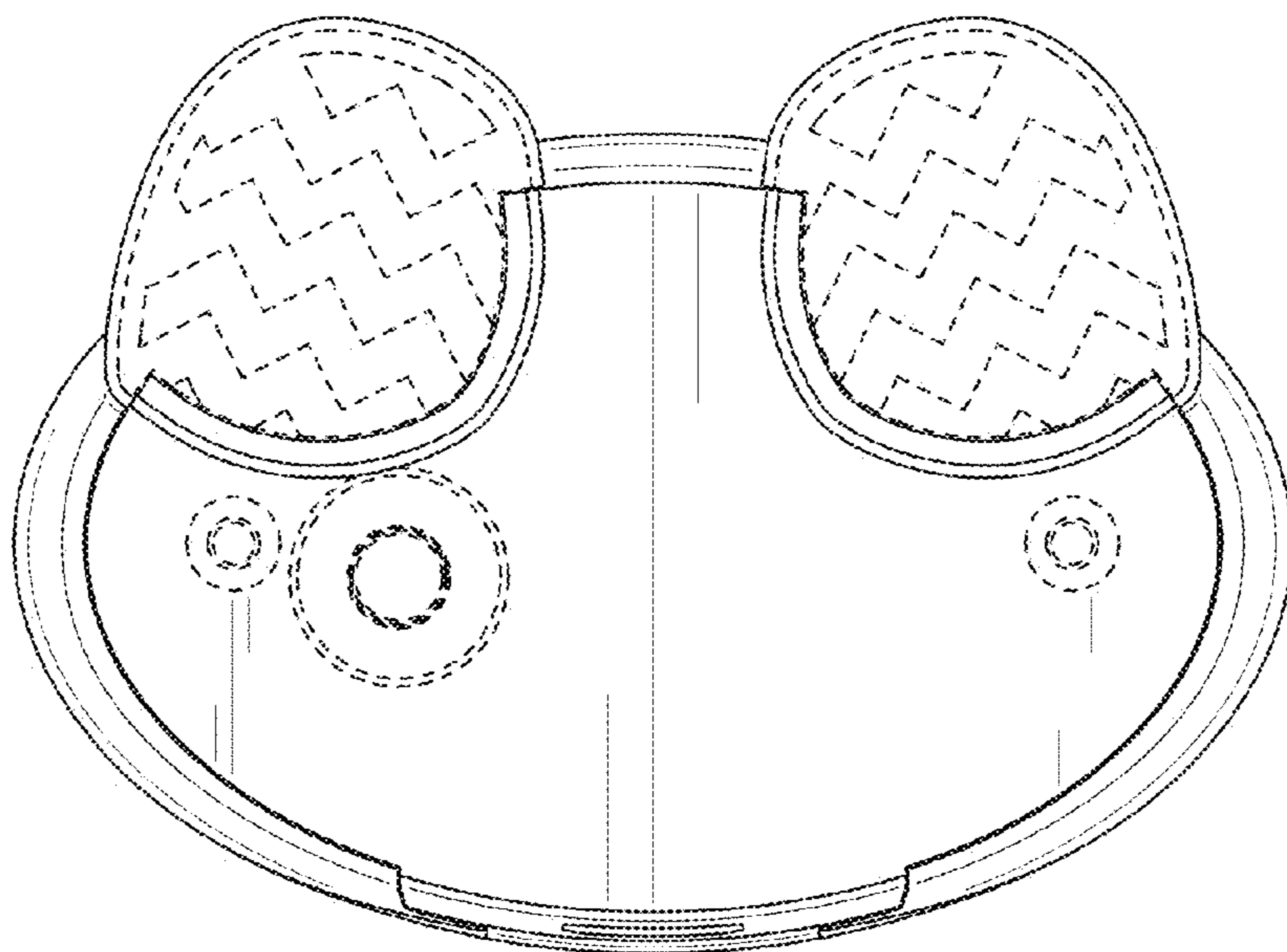


FIG. 14

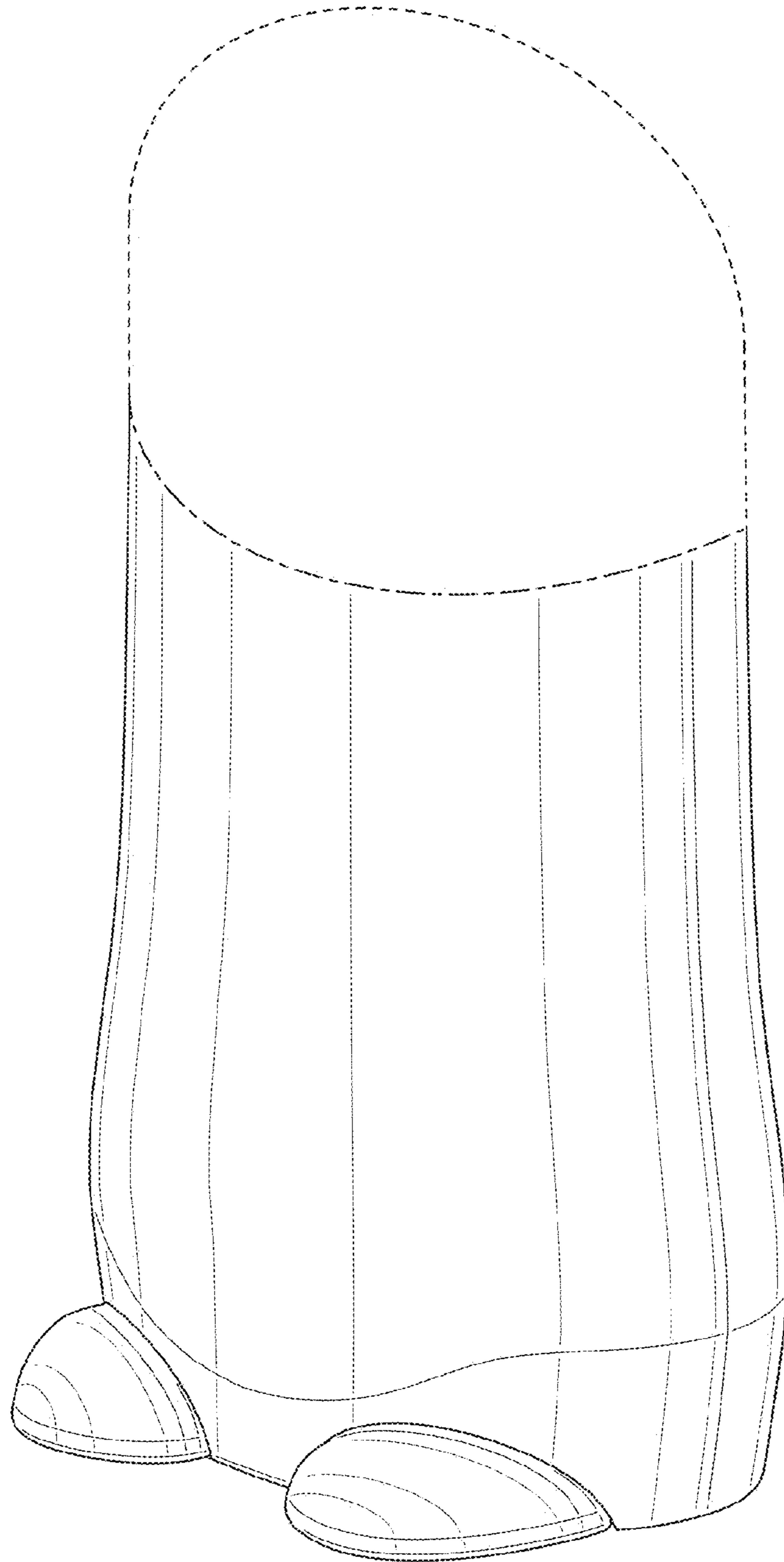


FIG. 15

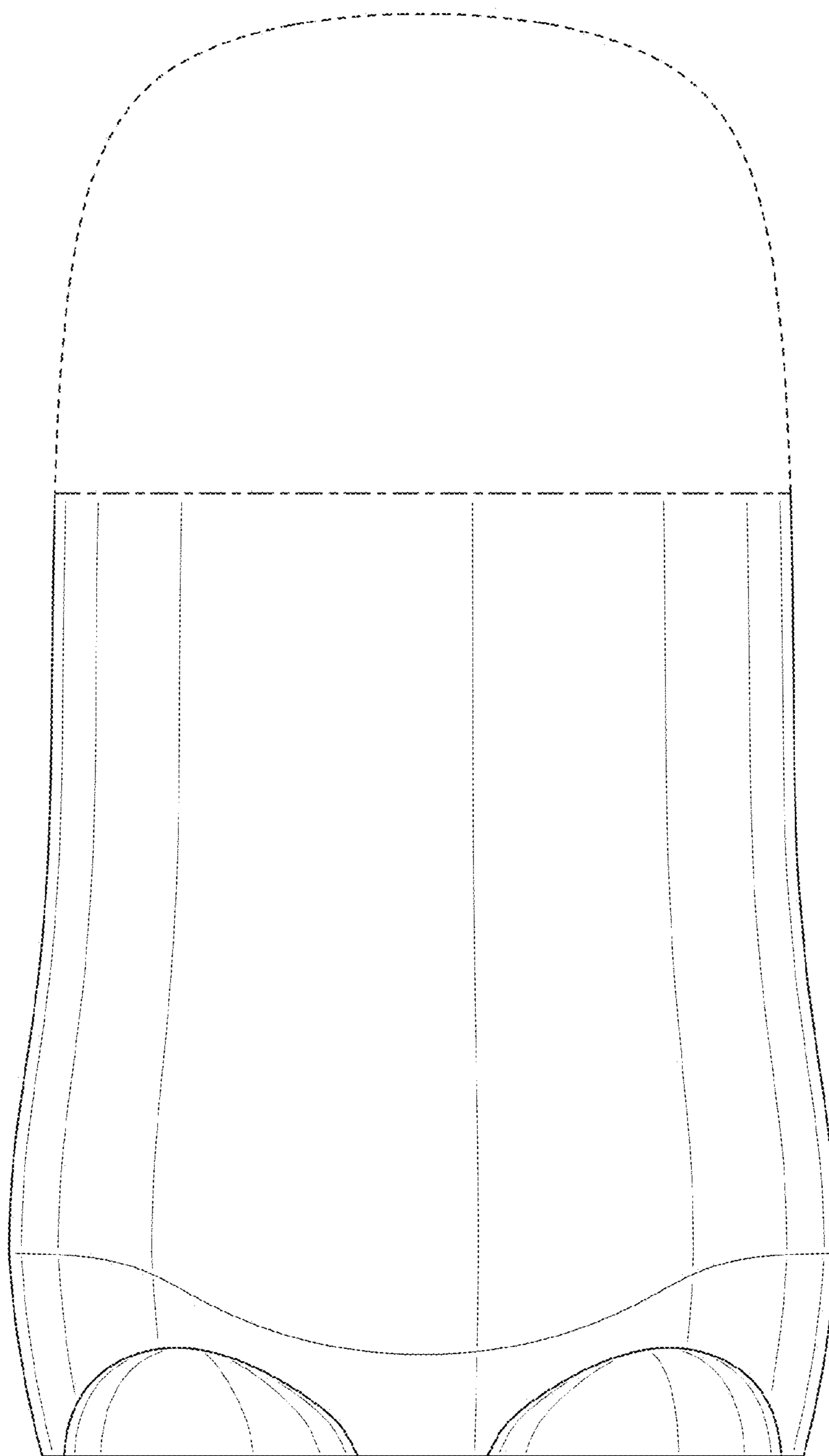


FIG. 16

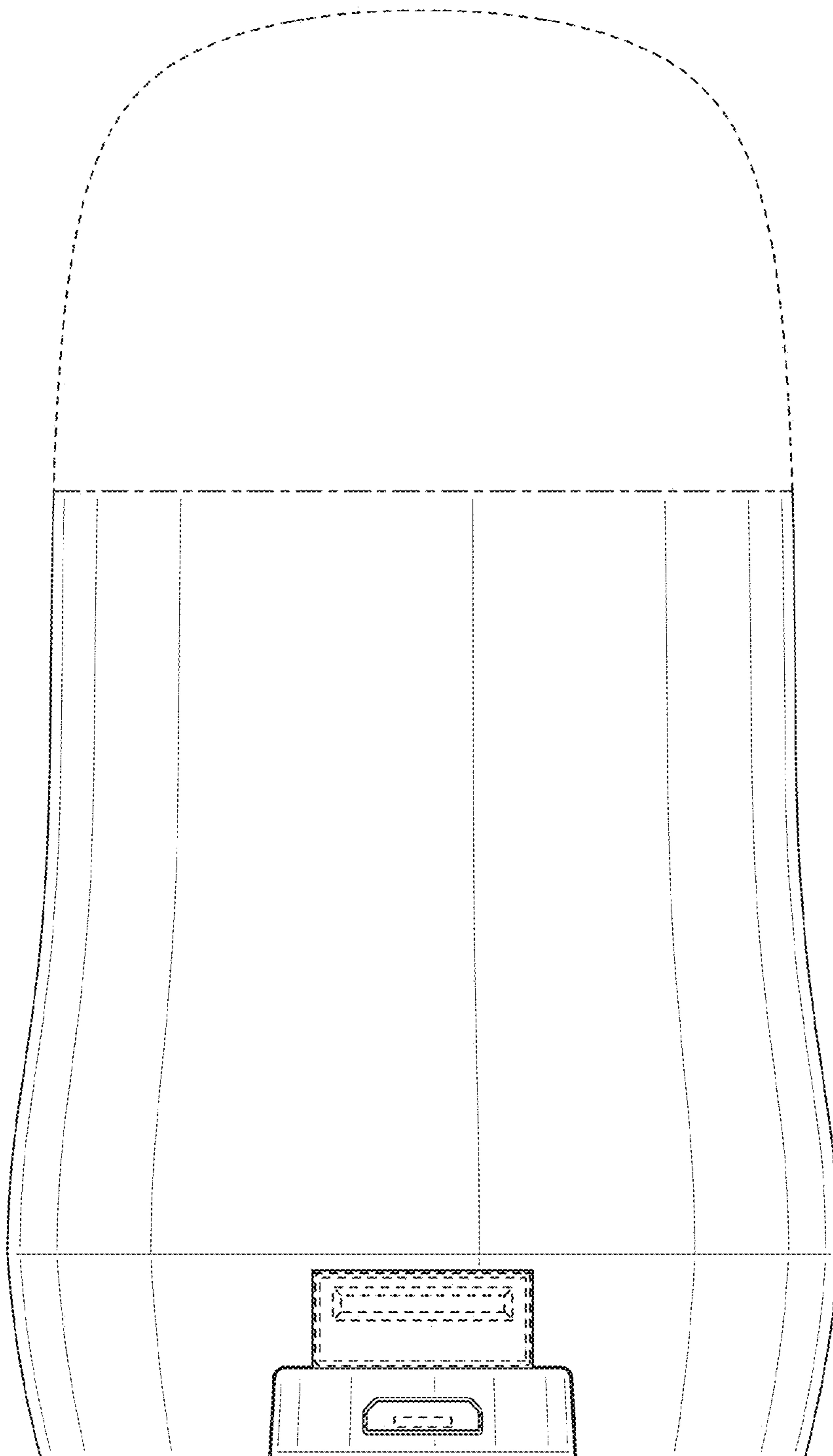


FIG. 17

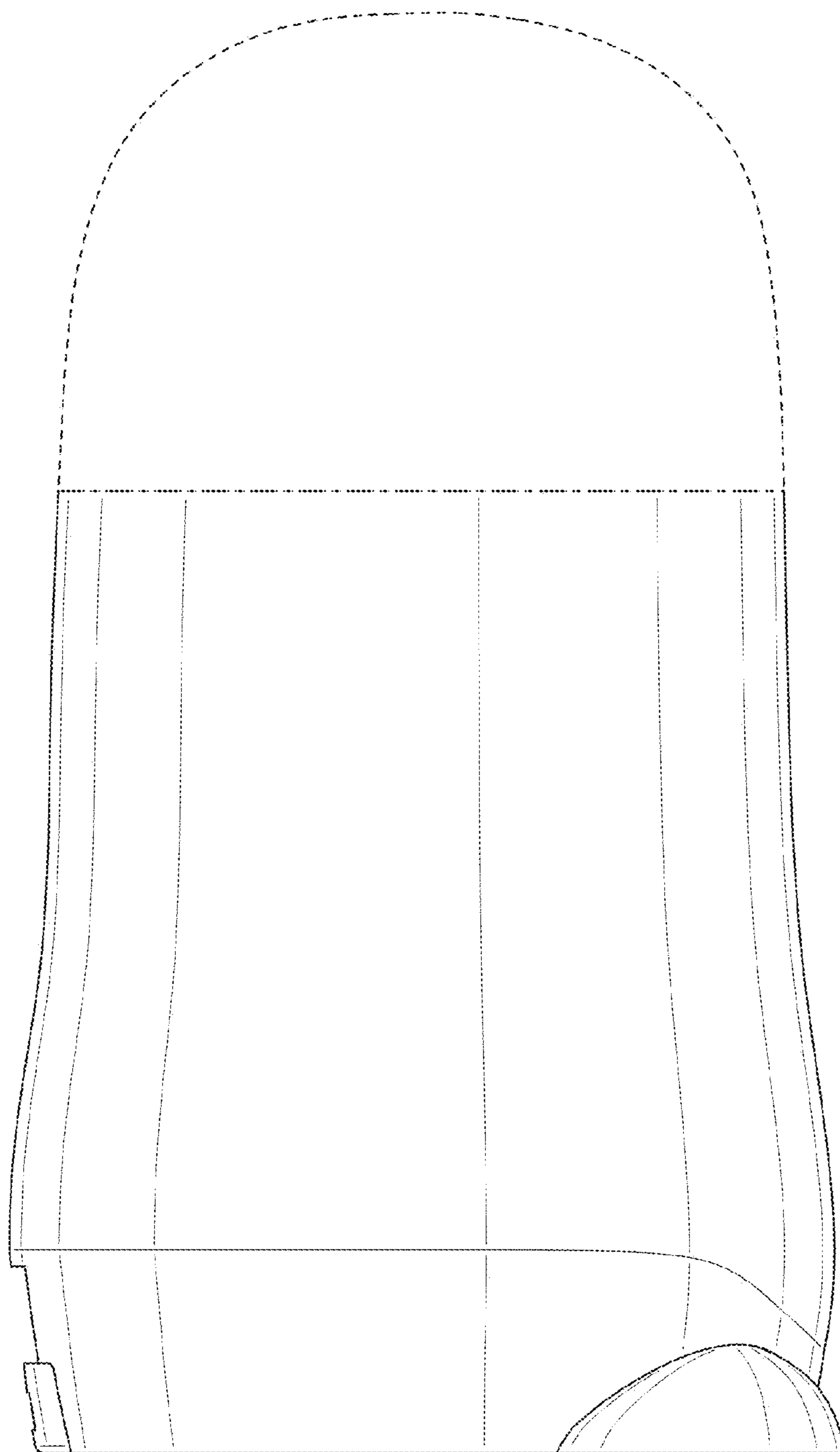


FIG. 18

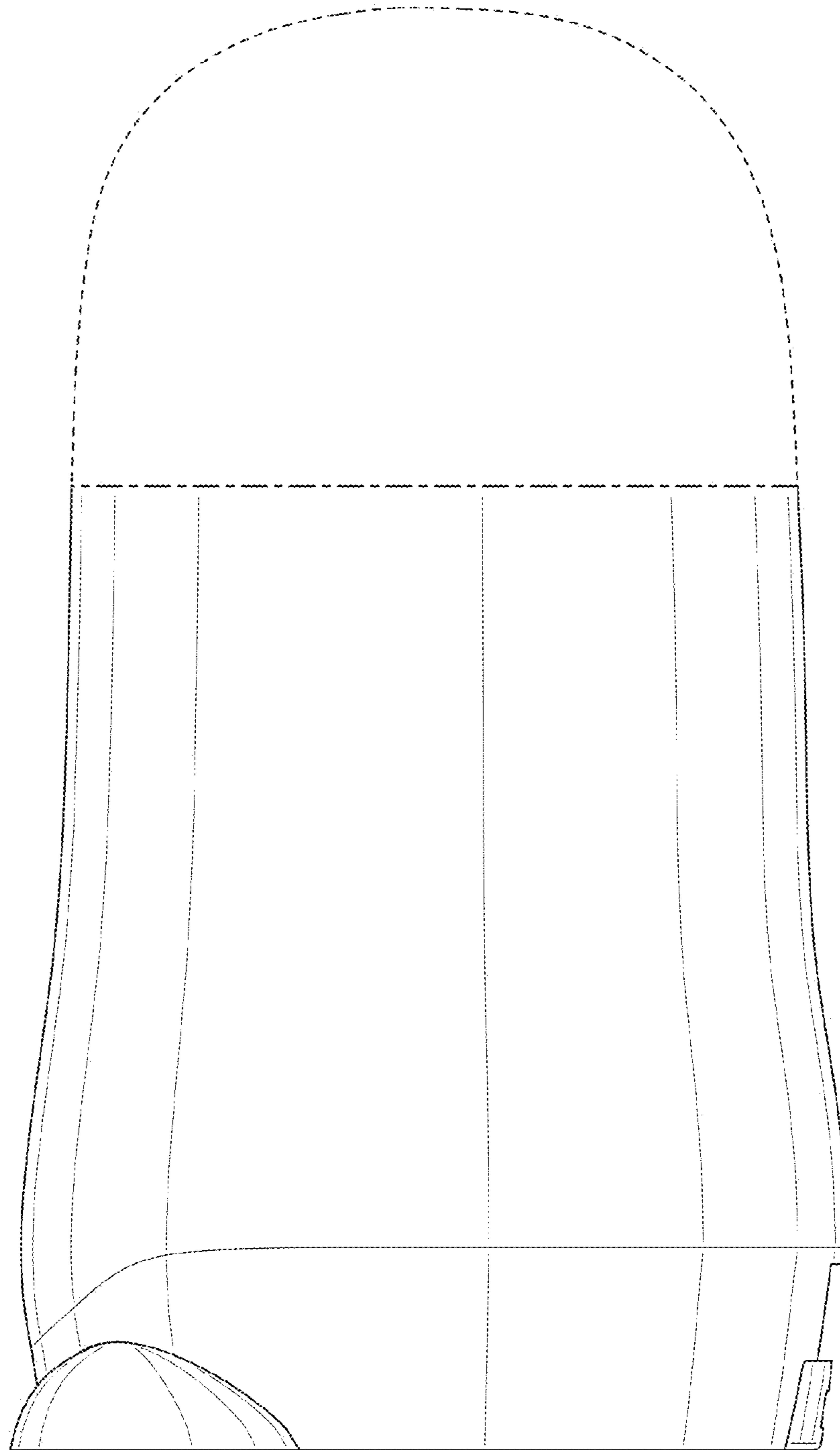


FIG. 19

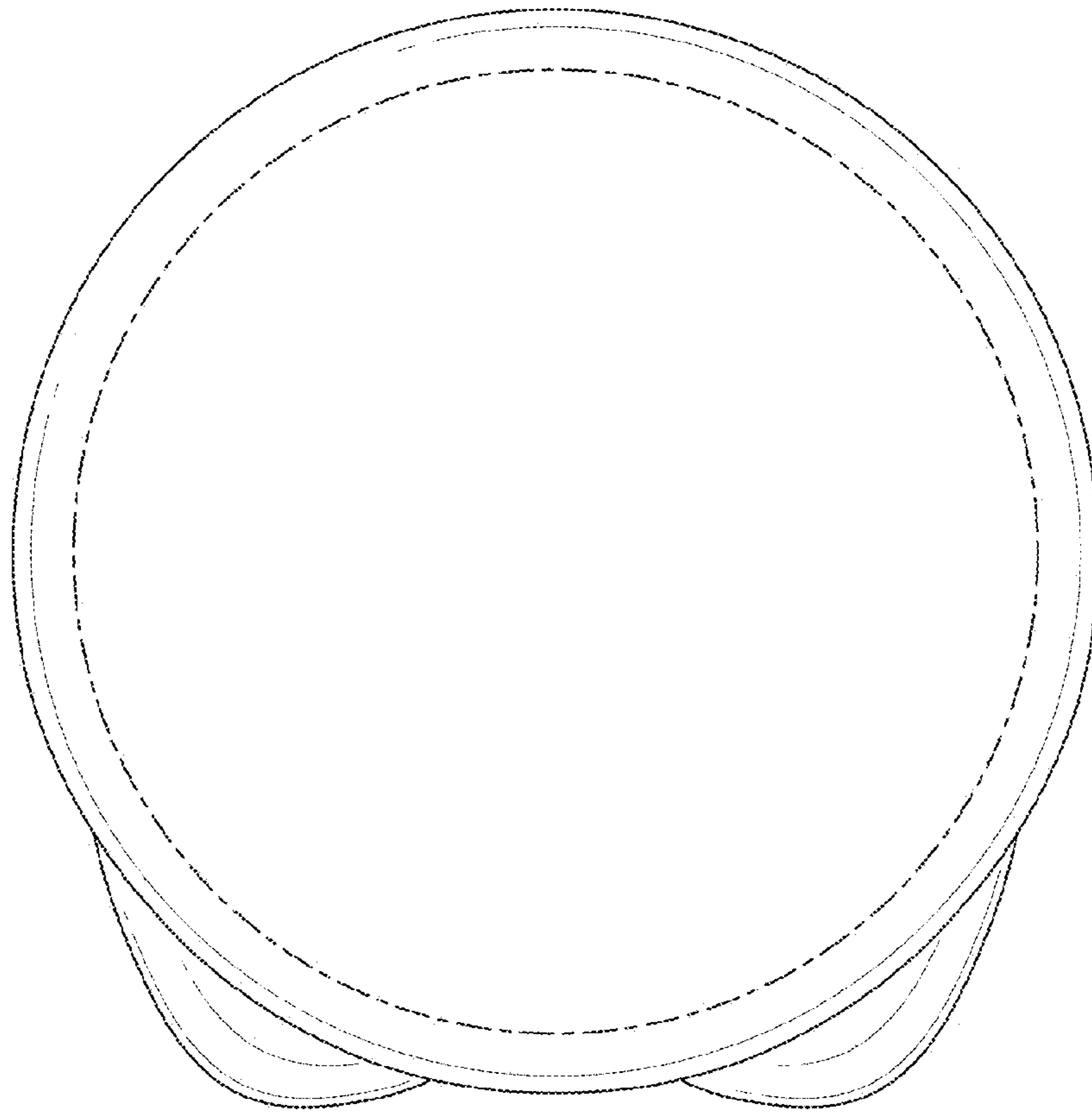


FIG. 20

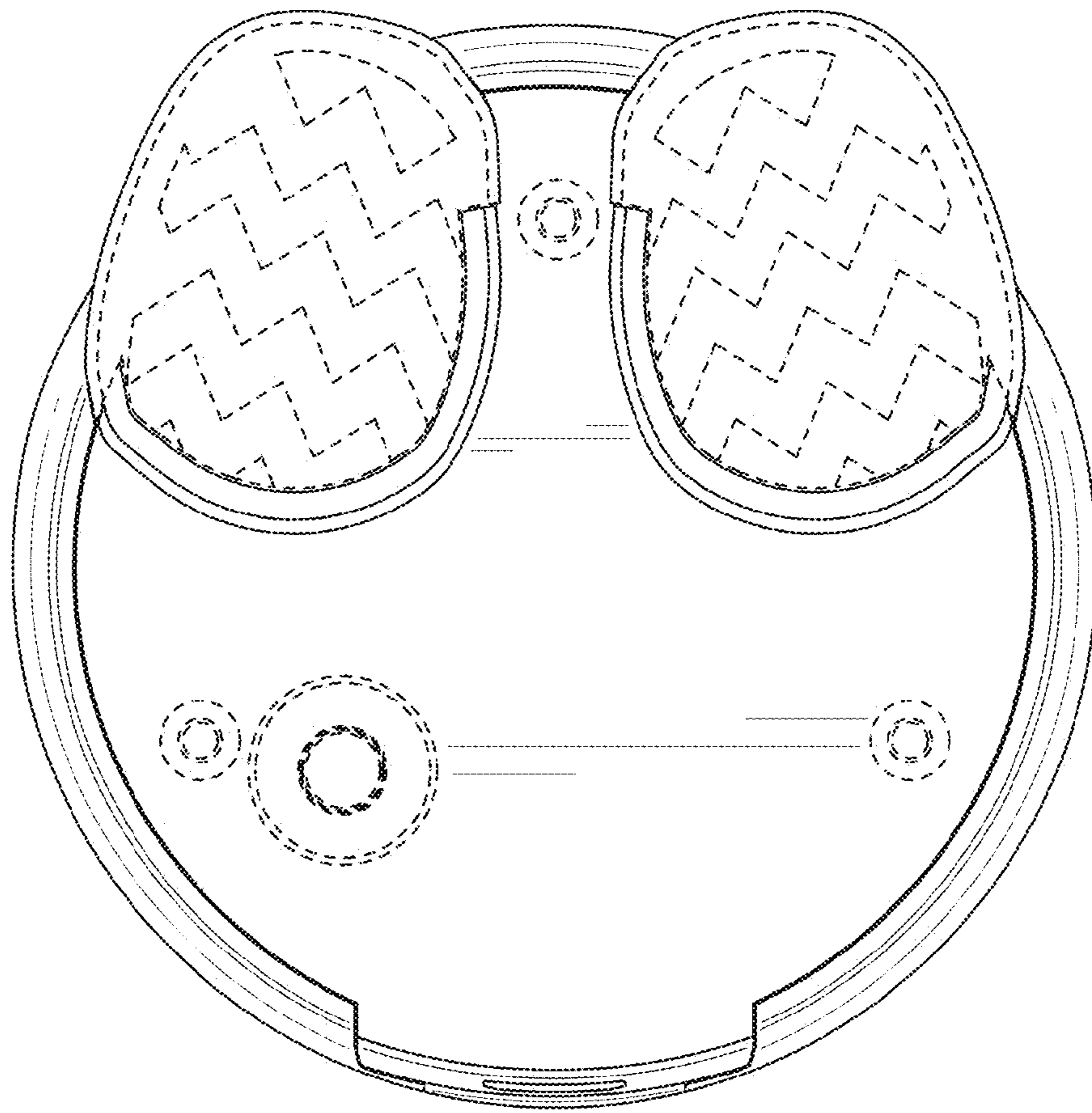


FIG. 21