



US00D762566S

(12) **United States Design Patent**  
**Tea et al.**

(10) **Patent No.:** **US D762,566 S**  
(45) **Date of Patent:** **\*\* Aug. 2, 2016**

- (54) **BATTERY FOR A HEADPHONE**
- (71) Applicant: **PARROT**, Paris (FR)
- (72) Inventors: **David Tea**, Paris (FR); **Flavien Morra**, Paris (FR)
- (73) Assignee: **PARROT DRONES**, Paris (FR)
- (\*\*) Term: **14 Years**
- (21) Appl. No.: **29/502,804**
- (22) Filed: **Sep. 19, 2014**
- (30) **Foreign Application Priority Data**

Sep. 8, 2014 (EM) ..... 002533034

- (51) **LOC (10) Cl.** ..... **13-02**
- (52) **U.S. Cl.**  
USPC ..... **D13/103**
- (58) **Field of Classification Search**  
USPC ..... 320/112, 135, 138, 140; 429/7, 100,  
429/149, 156, 162, 163, 175, 185;  
D13/102, 103, 104, 105, 106, 107, 108,  
D13/109, 110, 118, 119, 184, 199;  
D14/356, 432  
CPC . H01M 2/0285; H01M 10/425; H01M 10/42;  
H01M 2/34; H01M 2220/20  
See application file for complete search history.

(56) **References Cited**

**U.S. PATENT DOCUMENTS**

D294,344 S *	2/1988	Troutman et al. ....	D13/158
D334,169 S *	3/1993	Antonczak .....	D13/103
D342,053 S *	12/1993	Antonczak .....	D13/103
D342,478 S *	12/1993	Brunner et al. ....	D13/103
D383,076 S *	9/1997	Cripe .....	D10/70
D435,023 S *	12/2000	Carson et al. ....	D13/177
D509,182 S *	9/2005	Takeshita et al. ....	D13/103

D516,503 S *	3/2006	Takeshita et al. ....	D13/103
D577,986 S *	10/2008	Jarvis .....	D8/353
7,462,778 B1 *	12/2008	Shotey et al. ....	174/67
7,851,083 B2 *	12/2010	Zhu et al. ....	429/177
7,927,386 B2 *	4/2011	Kozu et al. ....	29/623.1
7,972,721 B2 *	7/2011	Kozu et al. ....	429/184

(Continued)

**FOREIGN PATENT DOCUMENTS**

JP D1534380 \* 3/2015

**OTHER PUBLICATIONS**

“Zik vs. Zik 2.0” Posted Sep. 23, 2014. Parrot Blog. <http://blog.parrot.com/2014/09/23/11197/>.\*

(Continued)

*Primary Examiner* — Manpreet Matharu

*Assistant Examiner* — Suzanne Tisdell

(74) *Attorney, Agent, or Firm* — Marshall, Gerstein & Borun LLP

(57) **CLAIM**

The ornamental design for a battery for a headphone, as shown and described.

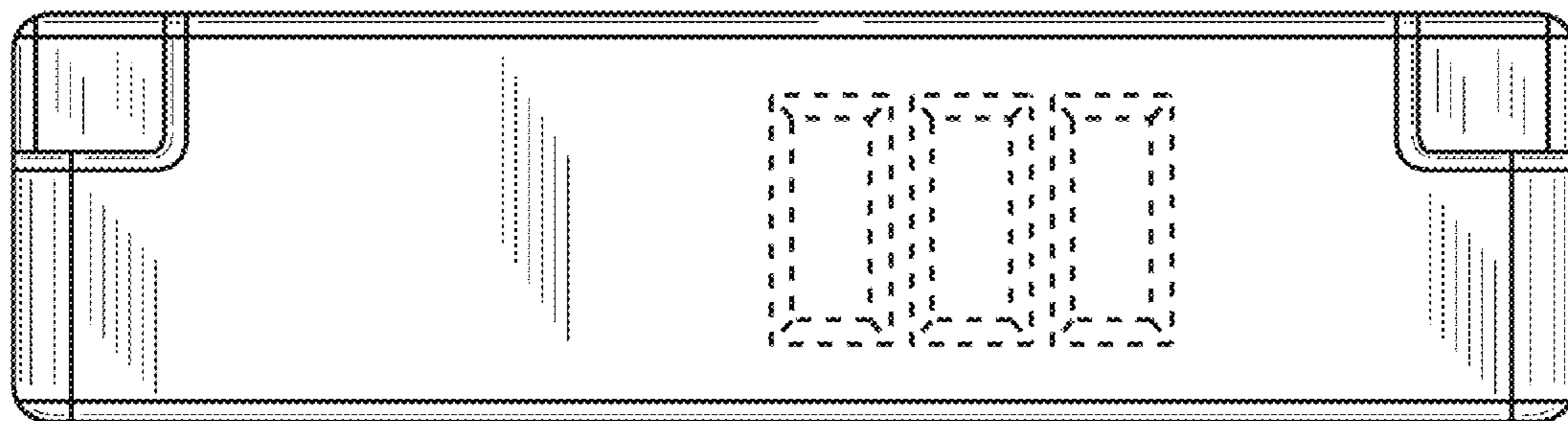
**DESCRIPTION**

FIG. 1 is a front elevation view of a battery for a headphone. FIG. 2 is a rear elevation view of the battery for a headphone seen in FIG. 1.

FIG. 3 is a left elevation view of the battery for a headphone. FIG. 4 is a right elevation view of the battery for a headphone. FIG. 5 is a top plan view of the battery for a headphone.

FIG. 6 is a bottom plan view; and, FIG. 7 is an isometric view of the battery for a headphone. The broken lines represent portions of the battery for a headphone and form no part of the claimed design.

**1 Claim, 5 Drawing Sheets**



(56)

**References Cited**

U.S. PATENT DOCUMENTS

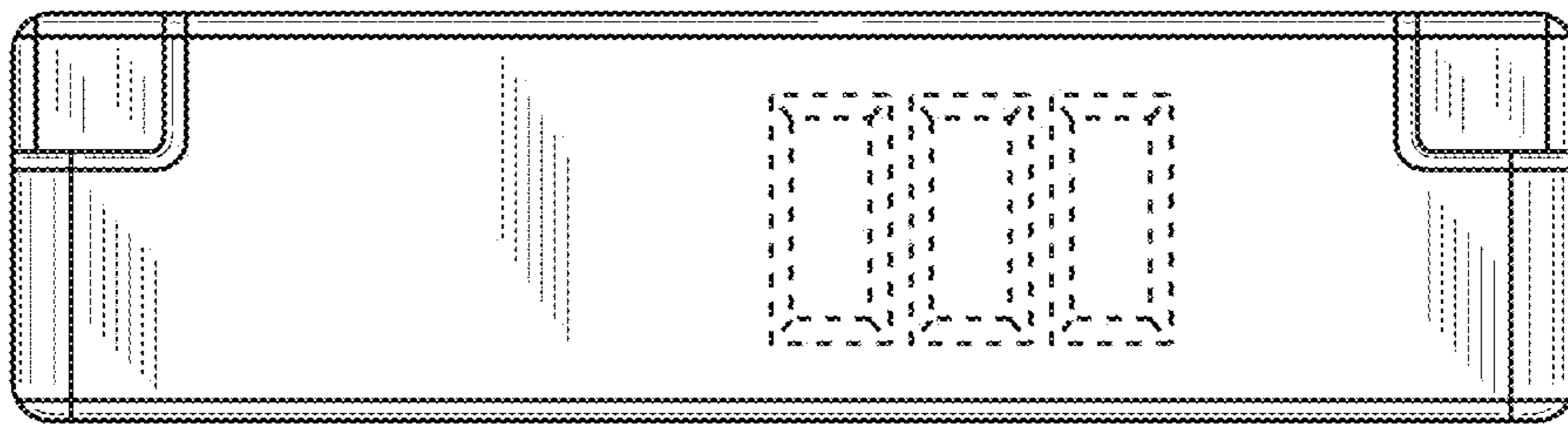
8,309,251 B2 \* 11/2012 Takahashi et al. .... 429/179  
 8,343,651 B2 \* 1/2013 Park et al. .... 429/151  
 8,541,125 B2 \* 9/2013 Kim ..... 429/100  
 8,852,791 B2 \* 10/2014 Lee ..... 429/163  
 D719,087 S \* 12/2014 Bataillou et al. .... D13/103  
 8,945,764 B2 \* 2/2015 Ahn et al. .... 429/185  
 8,999,536 B2 \* 4/2015 Kwag et al. .... 429/7  
 D729,805 S \* 5/2015 Bataillou et al. .... D14/432  
 D730,306 S \* 5/2015 Tang et al. .... D14/125  
 D733,043 S \* 6/2015 Hasbrook et al. .... D13/103  
 2005/0189912 A1 \* 9/2005 Jeon ..... 320/112  
 2006/0216585 A1 \* 9/2006 Lee ..... 429/162  
 2008/0176134 A1 \* 7/2008 Kim ..... 429/175  
 2009/0081539 A1 \* 3/2009 Koh et al. .... 429/178  
 2010/0109493 A1 \* 5/2010 Fargeau et al. .... 312/7.1  
 2010/0209743 A1 \* 8/2010 Koh et al. .... 429/7  
 2010/0304190 A1 \* 12/2010 Chung et al. .... 429/7  
 2011/0003195 A1 \* 1/2011 Kim ..... 429/178

2014/0212702 A1 \* 7/2014 Hur et al. .... 429/7  
 2014/0272476 A1 \* 9/2014 Park et al. .... 429/7  
 2015/0010791 A1 \* 1/2015 Ahn et al. .... 429/50  
 2015/0104677 A1 \* 4/2015 Koh ..... 429/7

OTHER PUBLICATIONS

“Parrot Zik 1.0 Spare Battery”. Posted Oct. 28, 2015. Kijiji. <http://www.kijiji.ca/v-headphones/city-of-toronto/parrot-zik-1-0-spare-battery/1099849105?enableSearchNavigationFlag=true>.  
 Unbox Therapy. “Parrot Zik Unboxing (Parrot Zik Wireless Headphones)” Posted Aug. 29, 2012. Youtube. [https://www.youtube.com/watch?v=Hn8Uuf\\_u\\_2l](https://www.youtube.com/watch?v=Hn8Uuf_u_2l).  
 Noba Tech. “Tan Parrot Zik 2.0 Unboxing and Review” Mar. 27, 2015. Youtube. <https://www.youtube.com/watch?v=qlScyDJ0zR0>.  
 Parrot. “Parrot Zik 2.0 wireless headphones unboxing” Posted Oct. 30, 2014. Youtube. <https://www.youtube.com/watch?v=Kga5VLJeCos>.

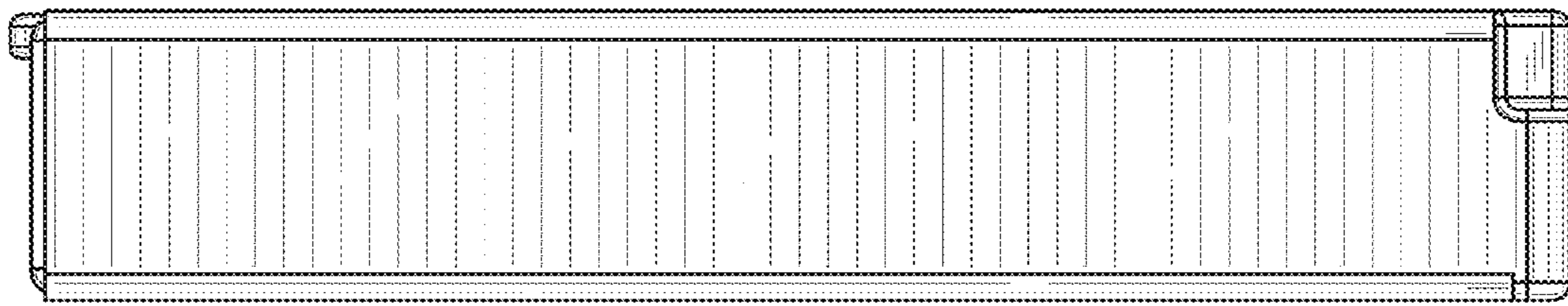
\* cited by examiner



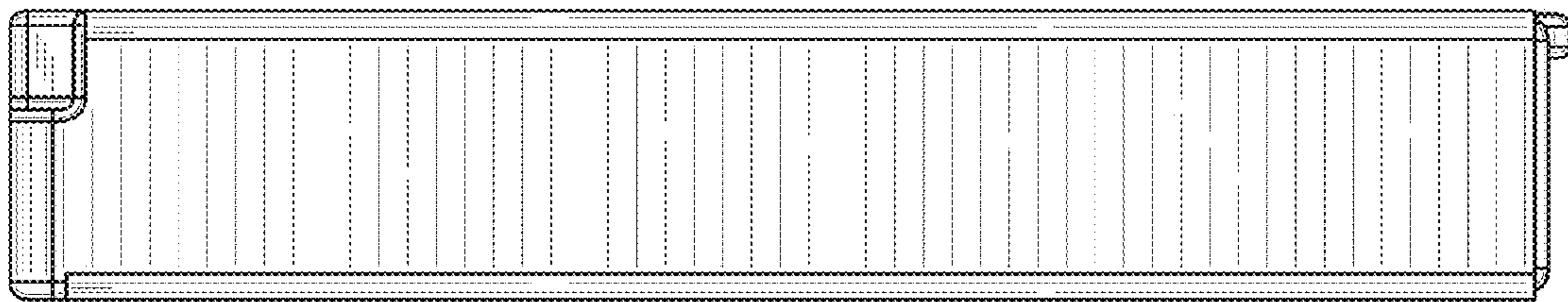
**FIG. 1**



**FIG. 2**



**FIG. 3**



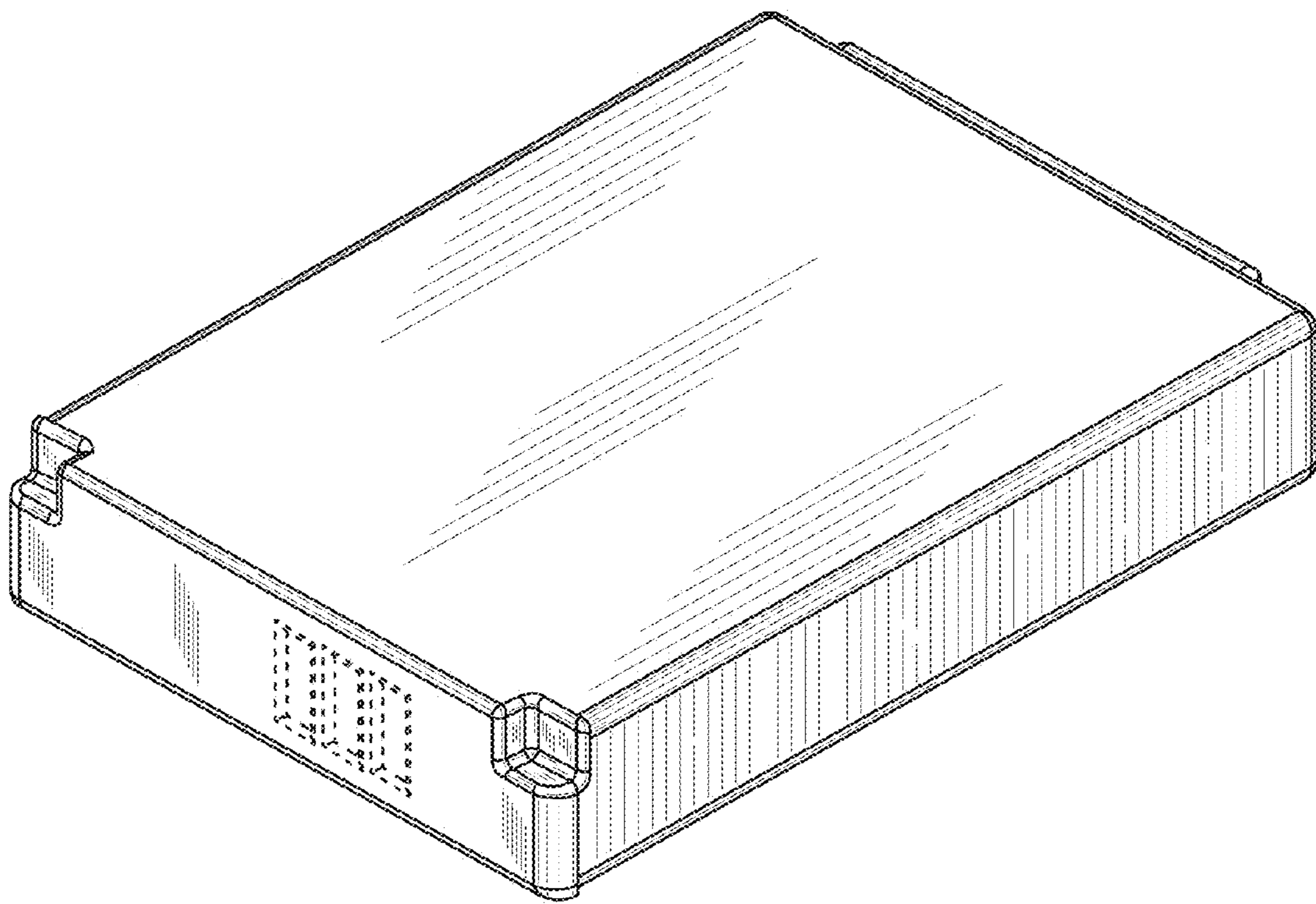
**FIG. 4**



**FIG. 5**



**FIG. 6**



**FIG. 7**