

US00D762565S

(12) **United States Design Patent**  
**Akana et al.**

(10) **Patent No.:** **US D762,565 S**

(45) **Date of Patent:** **\*\* Aug. 2, 2016**

(54) **BATTERY**

(71) Applicant: **Apple Inc.**, Cupertino, CA (US)

(72) Inventors: **Jody Akana**, San Francisco, CA (US);  
**Tyler Scott Bushnell**, Mountain View, CA (US); **Julian Hoenig**, San Francisco, CA (US); **Anna-Katrina Shedletsy**, Mountain View, CA (US); **Rico Zörkendörfer**, San Francisco, CA (US)

(73) Assignee: **Apple Inc.**, Cupertino, CA (US)

(\*\*) Term: **14 Years**

(21) Appl. No.: **29/500,628**

(22) Filed: **Aug. 27, 2014**

(51) **LOC (10) Cl.** ..... **13-02**

(52) **U.S. Cl.**  
USPC ..... **D13/103**

(58) **Field of Classification Search**  
USPC ..... D13/103, 107, 108, 109, 110, 118, 119,  
D13/184, 199; D14/432, 253; 29/623.1,  
29/623.5; 315/291; 156/221; 235/380,  
235/479, 486, 492; 429/100, 153, 158, 163,  
429/176, 180, 185

See application file for complete search history.

(56) **References Cited**

**U.S. PATENT DOCUMENTS**

D334,169	S	*	3/1993	Antonczak	.....	D13/103
D342,478	S	*	12/1993	Brunner et al.	.....	D13/103
D677,620	S		3/2013	Corbin et al.		
D678,184	S		3/2013	Banko et al.		
D693,297	S	*	11/2013	Inskeep	.....	D13/108
D697,473	S	*	1/2014	Guccione et al.	.....	D13/108
D702,236	S	*	4/2014	Gelinotte et al.	.....	D14/420
D703,647	S	*	4/2014	Kim	.....	D14/250
D703,651	S	*	4/2014	Ehrlich	.....	D14/250
D711,311	S		8/2014	Corbin et al.		
D719,085	S		12/2014	Aoyagi et al.		
D719,087	S	*	12/2014	Bataillou et al.	.....	D13/103

D729,729	S	*	5/2015	Rabalais et al.	.....	D13/107
D729,805	S	*	5/2015	Bataillou et al.	.....	D14/432
D730,306	S	*	5/2015	Tang et al.	.....	D14/125

**OTHER PUBLICATIONS**

“Apple MacBook Pro 17 inch A1189 A1212 A1229 A1261 661-4231 661-4618 Laptop Battery.” First comment posted: Jun. 27, 2013. Laptop Battery Express. <http://www.laptopbatteryexpress.com/apple-macbook-pro-17-inch-laptop-battery-a1189-p/app-24.htm>.\*

“9 Cell Laptop Battery for Apple MacBook Pro 15" A1150 A1175 MA348G/A Silver New” Retrieved: Oct. 9, 2015. ebay. <http://www.ebay.com/itm/9-Cell-Laptop-Battery-for-Apple-MacBook-Pro-15-A1150-A1175-MA348G-A-Silver-New/400349653463>.\*

“Replacement HP Pavillion ZV5200 battery.” Posted: Jan. 26, 2010. yourbattery. [http://www.my-laptop-battery.com/index.php?main\\_page=products\\_new](http://www.my-laptop-battery.com/index.php?main_page=products_new).\*

\* cited by examiner

*Primary Examiner* — Manpreet Matharu

*Assistant Examiner* — Suzanne Tisdell

(74) *Attorney, Agent, or Firm* — Sterne, Kessler, Goldstein & Fox P.L.L.C.

(57) **CLAIM**

The ornamental design for a battery, as shown and described.

**DESCRIPTION**

FIG. 1 is a front perspective view of a battery showing our new design;

FIG. 2 is a rear perspective view thereof;

FIG. 3 is a front view thereof;

FIG. 4 is a rear view thereof;

FIG. 5 is a left side view thereof;

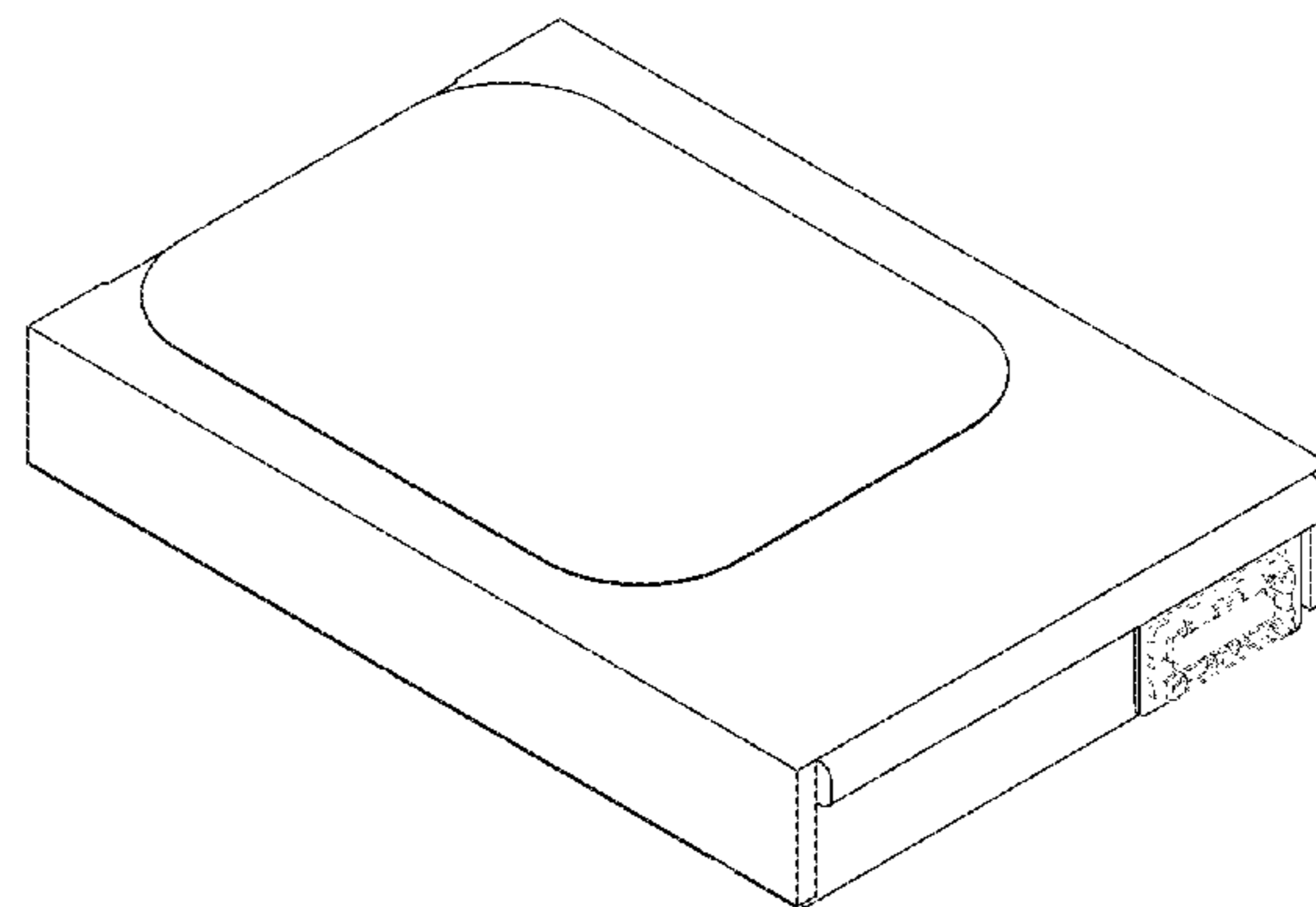
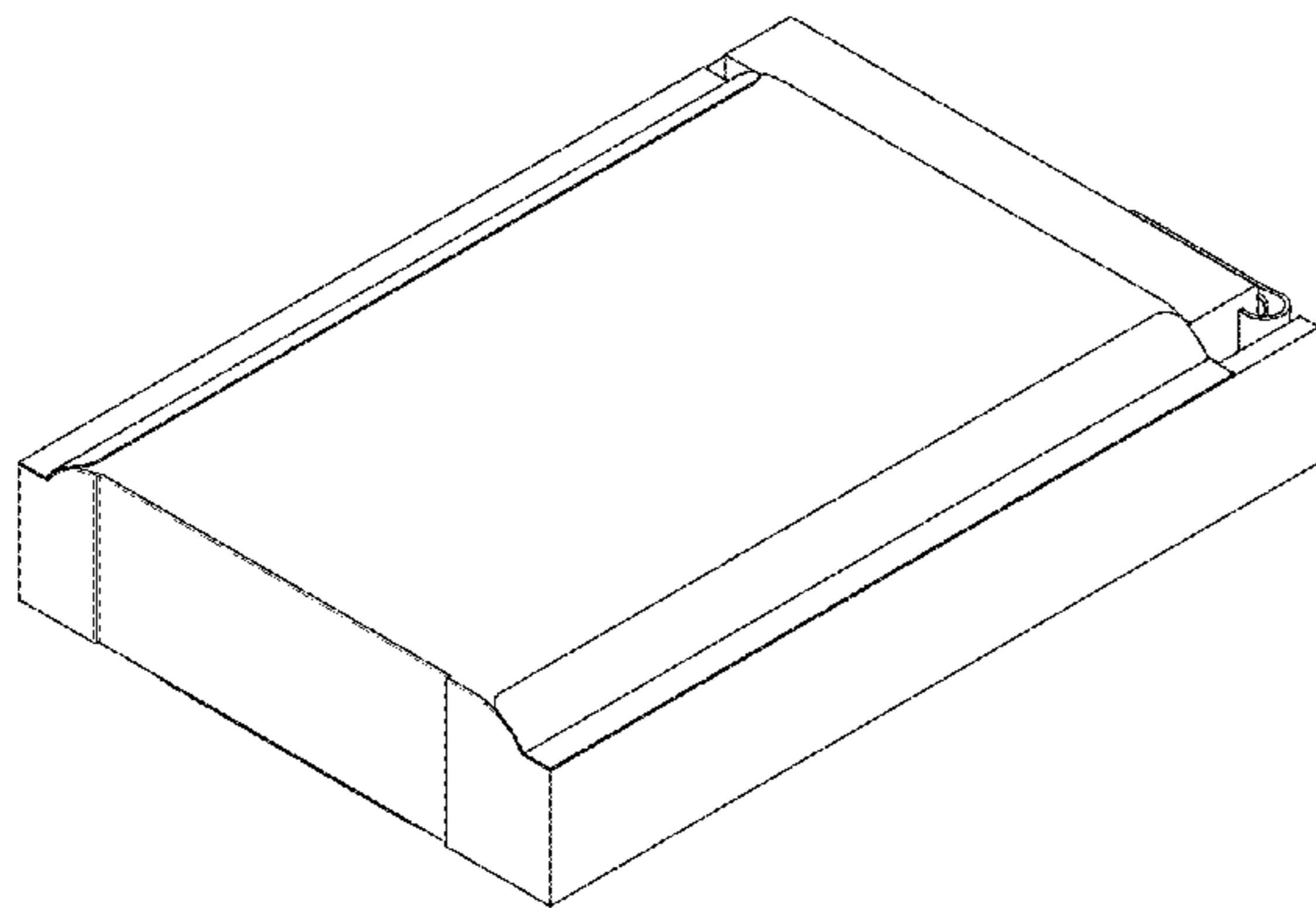
FIG. 6 is a right side view thereof;

FIG. 7 is a top view thereof; and,

FIG. 8 is a bottom view thereof.

The broken lines in the Figures show portions of the battery that form no part of the claimed design.

**1 Claim, 6 Drawing Sheets**



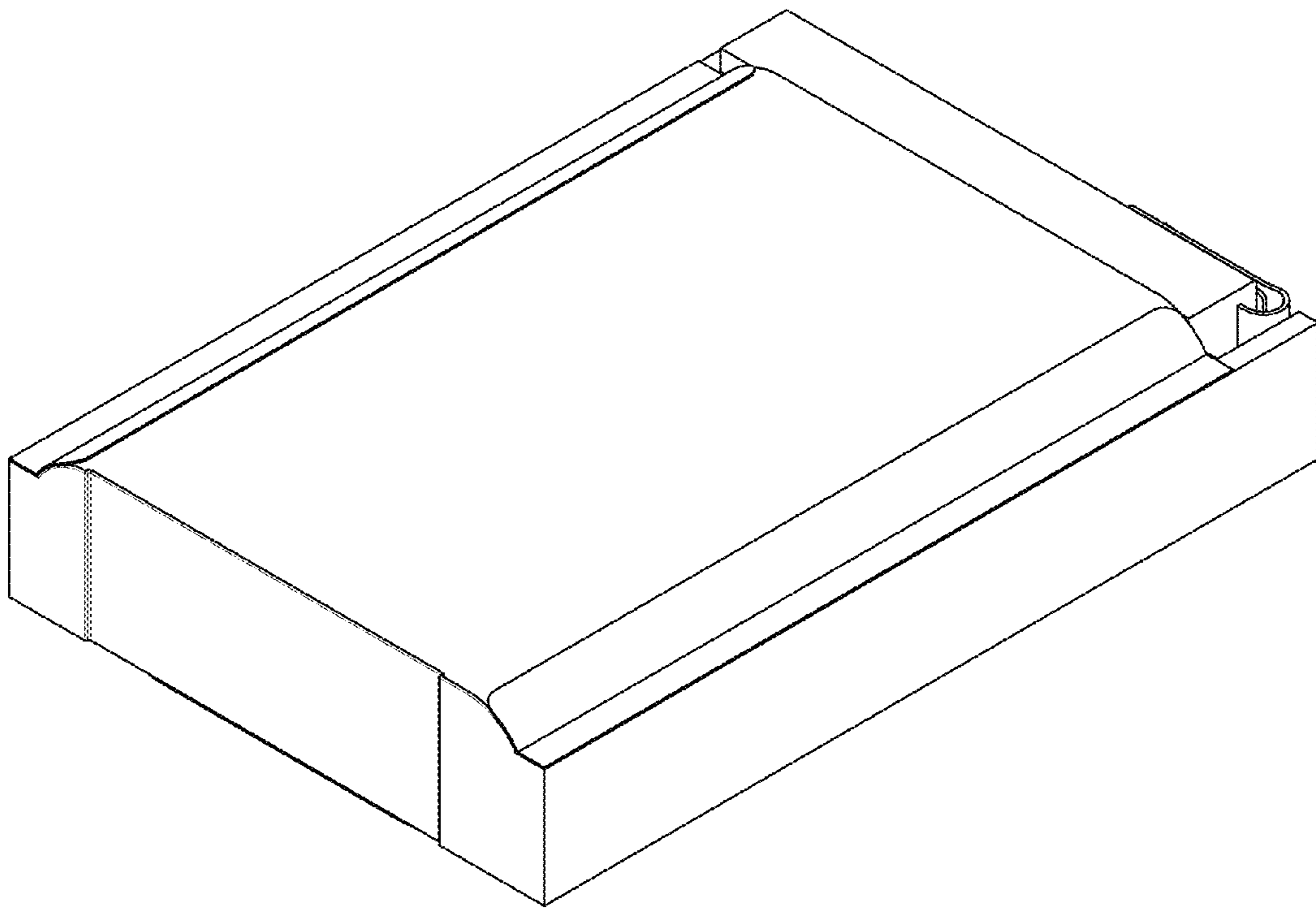


FIG. 1

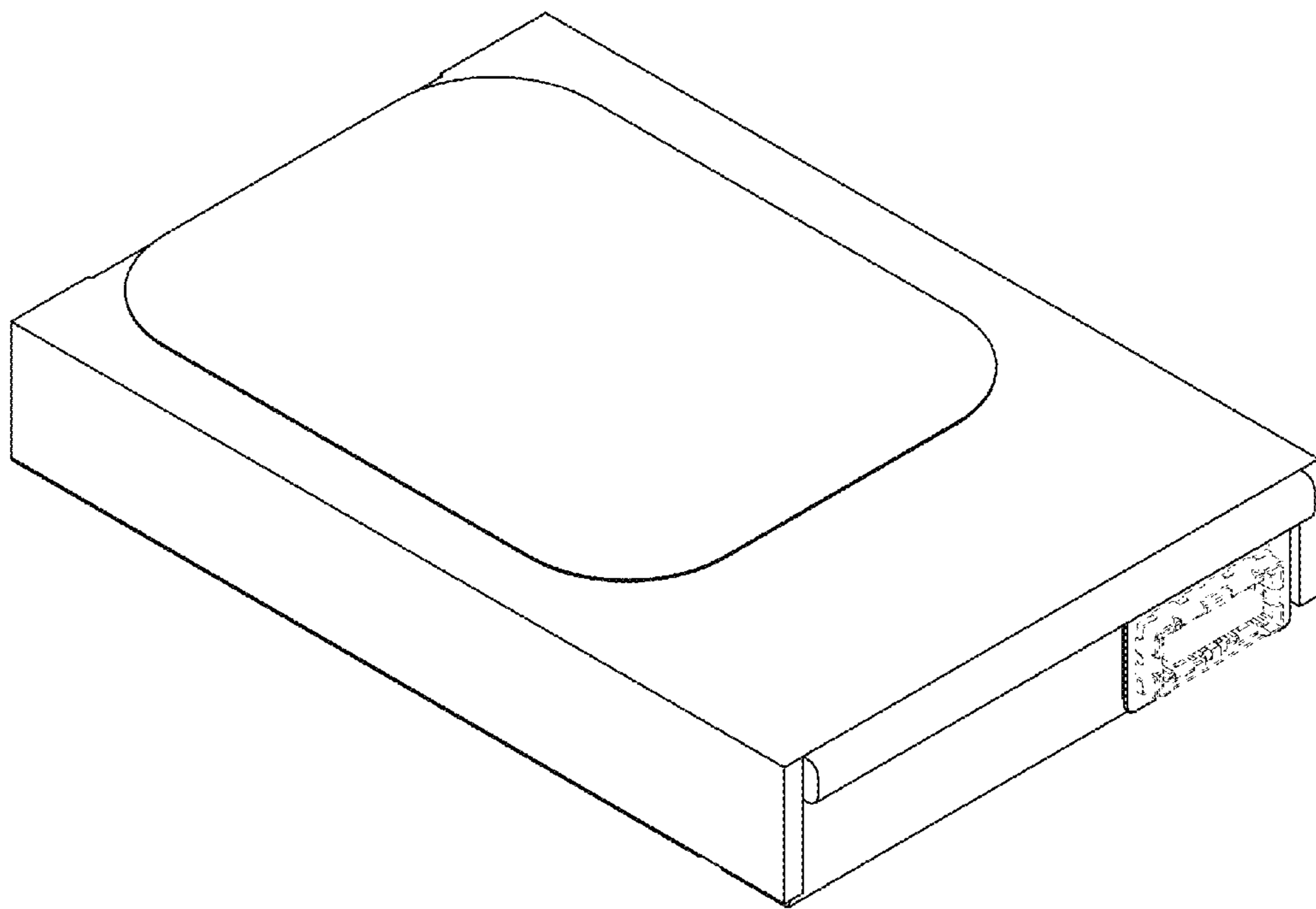


FIG. 2

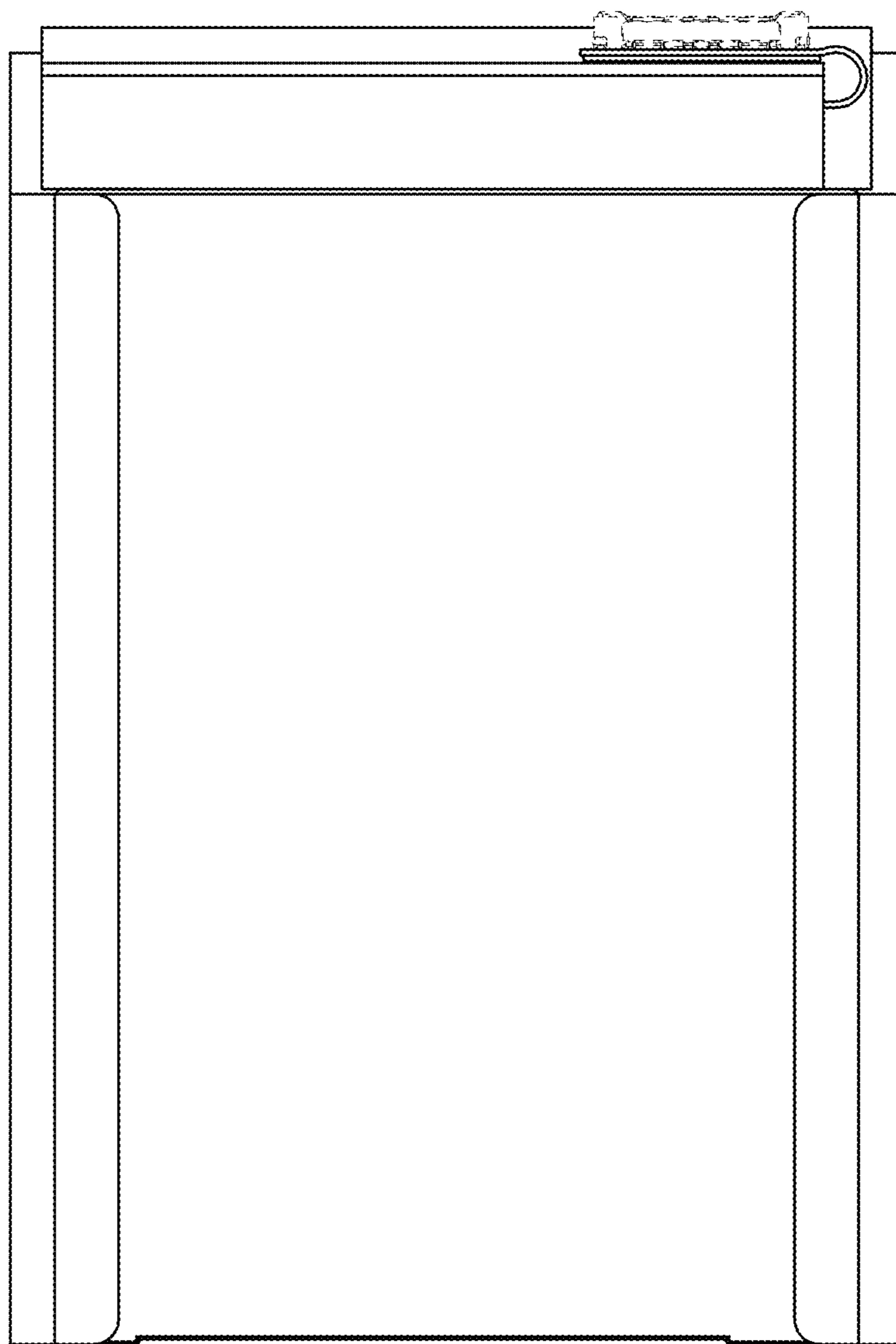
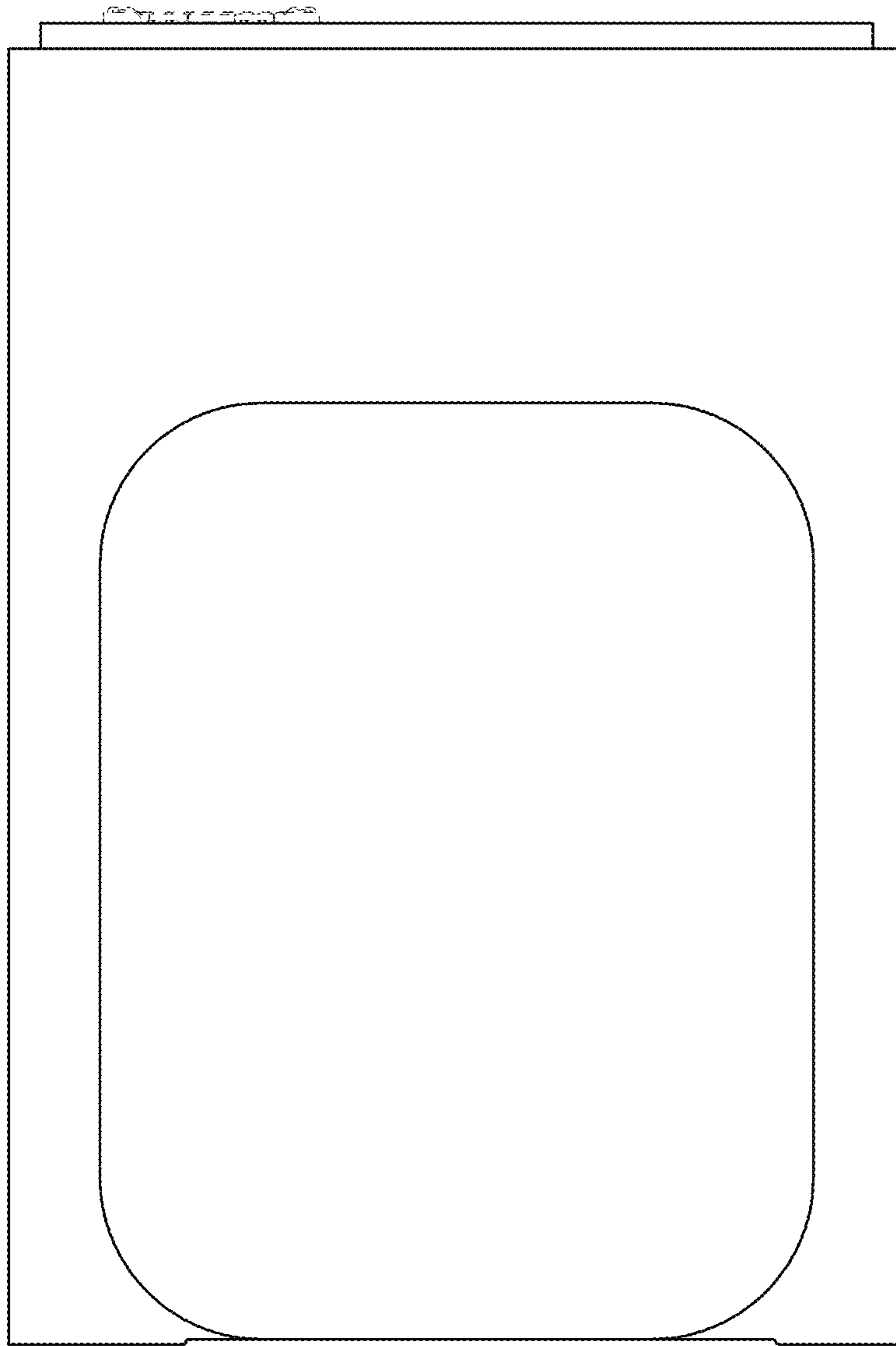
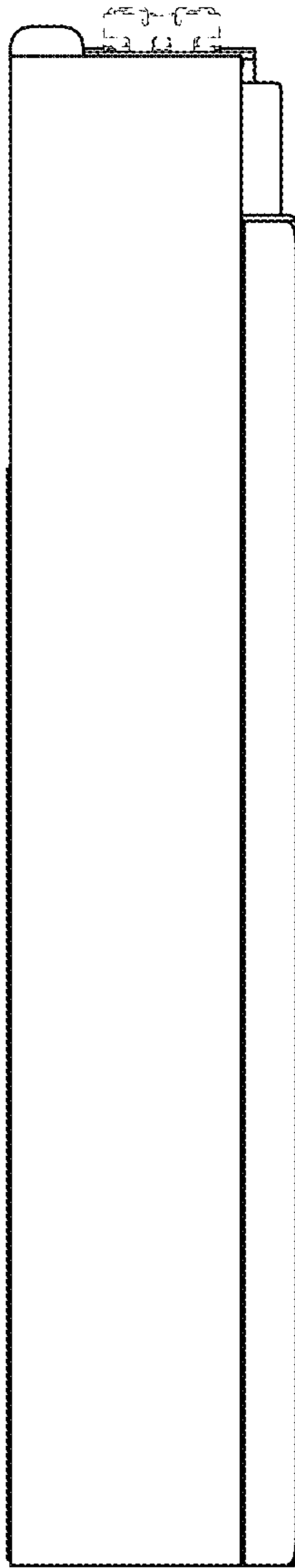


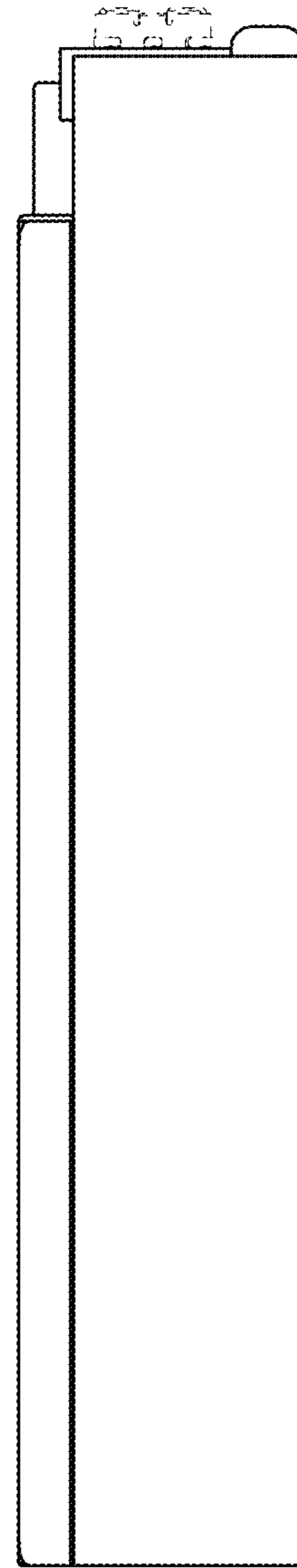
FIG. 3



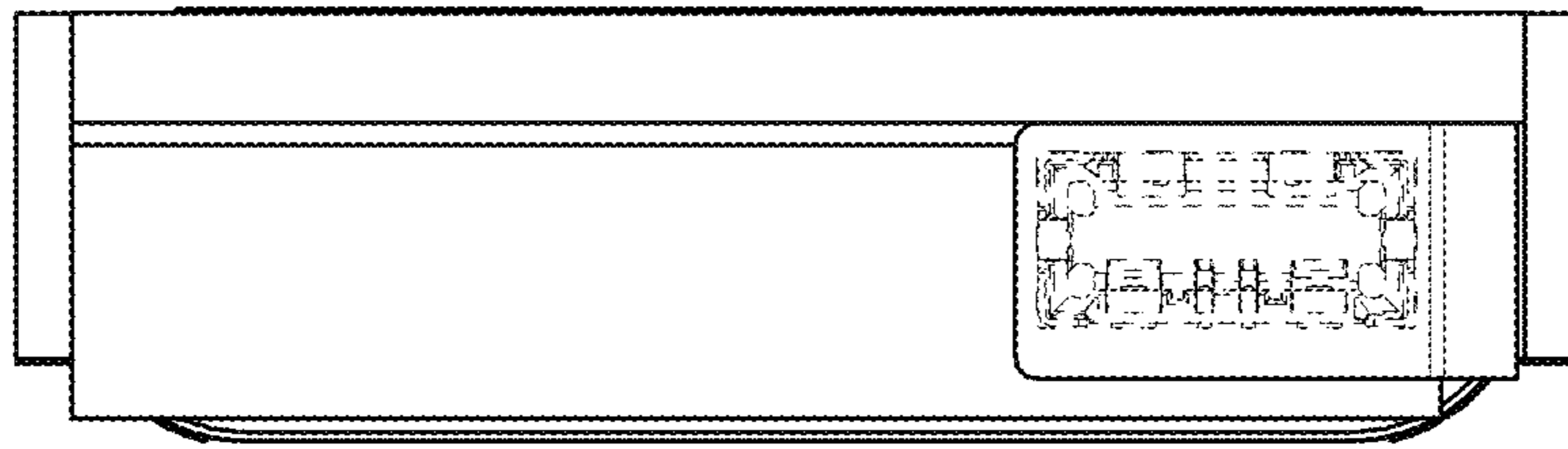
**FIG. 4**



**FIG. 5**



**FIG. 6**



**FIG. 7**



**FIG. 8**