

US00D762561S

(12) **United States Design Patent**
Petr

(10) **Patent No.:** **US D762,561 S**

(45) **Date of Patent:** **** Aug. 2, 2016**

(54) **TIRE TREAD**

(71) Applicant: **Matthew J. Petr**, Findlay, OH (US)

(72) Inventor: **Matthew J. Petr**, Findlay, OH (US)

(73) Assignee: **COOPER TIRE & RUBBER COMPANY**, Findlay, OH (US)

(**) Term: **14 Years**

(21) Appl. No.: **29/507,633**

(22) Filed: **Oct. 29, 2014**

(51) **LOC (10) Cl.** **12-15**

(52) **U.S. Cl.**
USPC **D12/599**

(58) **Field of Classification Search**
USPC D12/568-603
CPC B60C 5/00; B60C 11/04; B60C 11/11;
B60C 11/13; B60C 11/12; B60C 2011/1213;
B60C 11/03
See application file for complete search history.

(56) **References Cited**

U.S. PATENT DOCUMENTS

D730,272 S *	5/2015	Fleckner	D12/580
D731,404 S *	6/2015	Jacobs	D12/580
D732,463 S *	6/2015	Petr	D12/579
D736,145 S *	8/2015	Jacobs	D12/594
D744,412 S *	12/2015	Schimmoeller	D12/599

OTHER PUBLICATIONS

Cooper Tire & Rubber Company, May 2007.

* cited by examiner

Primary Examiner — George D Kirschbaum

Assistant Examiner — Jennifer Watkins

(74) *Attorney, Agent, or Firm* — Fay Sharpe LLP

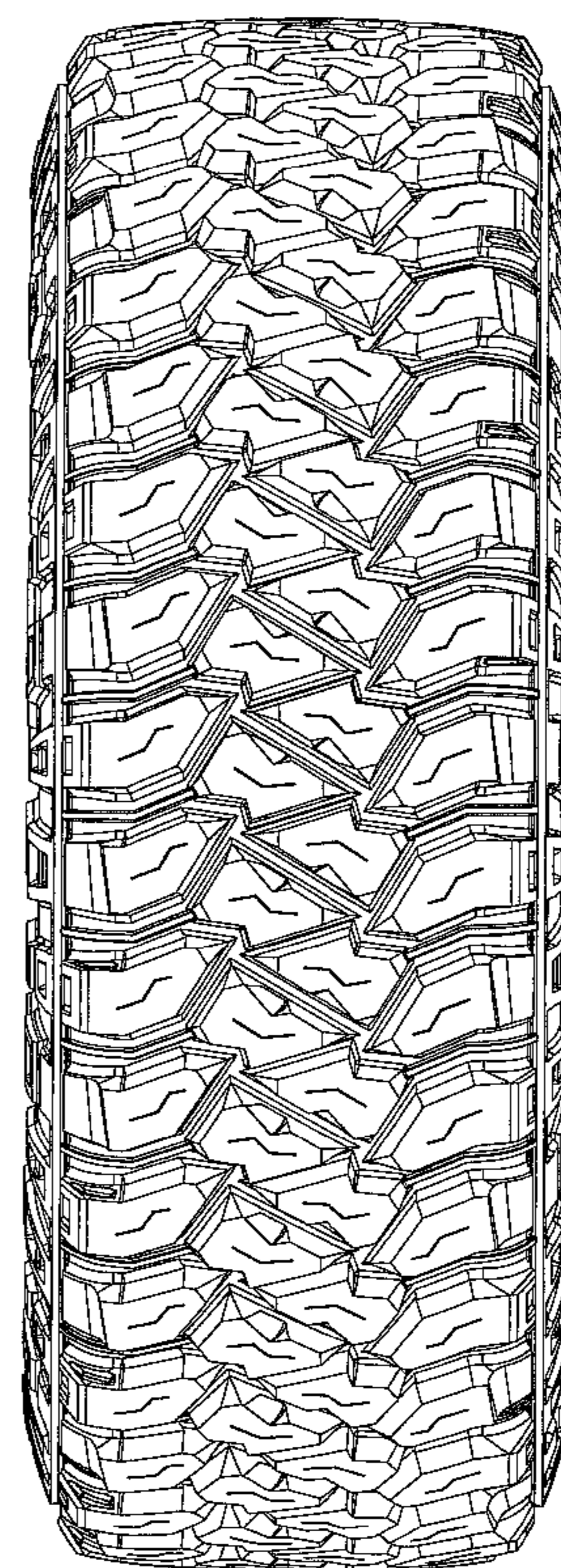
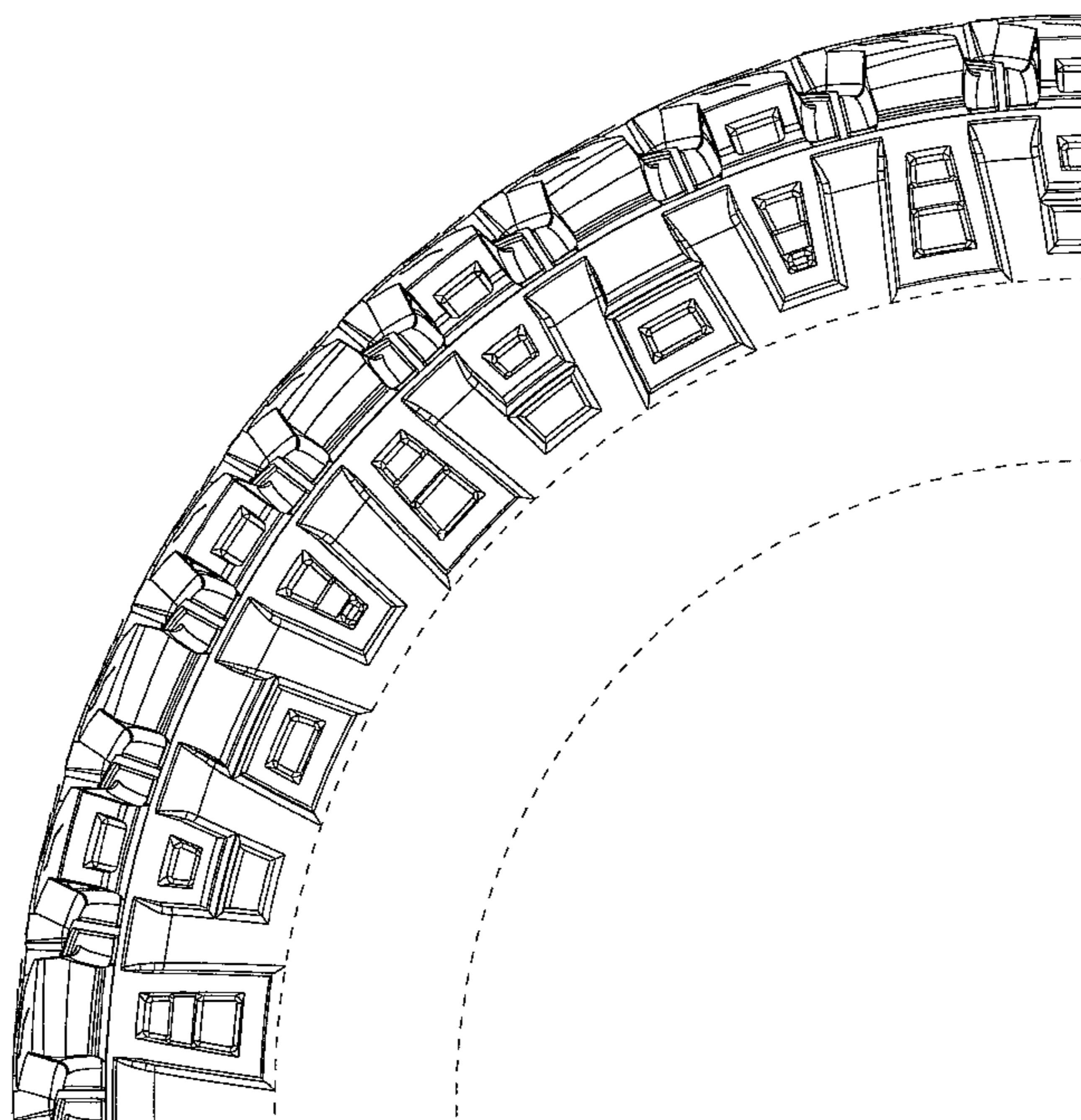
(57) **CLAIM**

The ornamental design for a tire tread, as shown and described.

DESCRIPTION

FIG. 1 is a perspective view of a full tire including the tire tread of the present application;
FIG. 2 is an enlarged, partial side view thereof;
FIG. 3 is a front view thereof; and,
FIG. 4 is a partial, enlarged front view thereof.
The remaining three-fourths portion of the tire partially shown in FIG. 2 is a repetition of the illustrated one-fourth portion, and the other side of the tire is identical. The broken line showings of the sidewall, inner bead, and the peripheral boundary between the tire tread and the sidewall, are included for the purpose of illustrating environment and form no part of the claim.

1 Claim, 4 Drawing Sheets



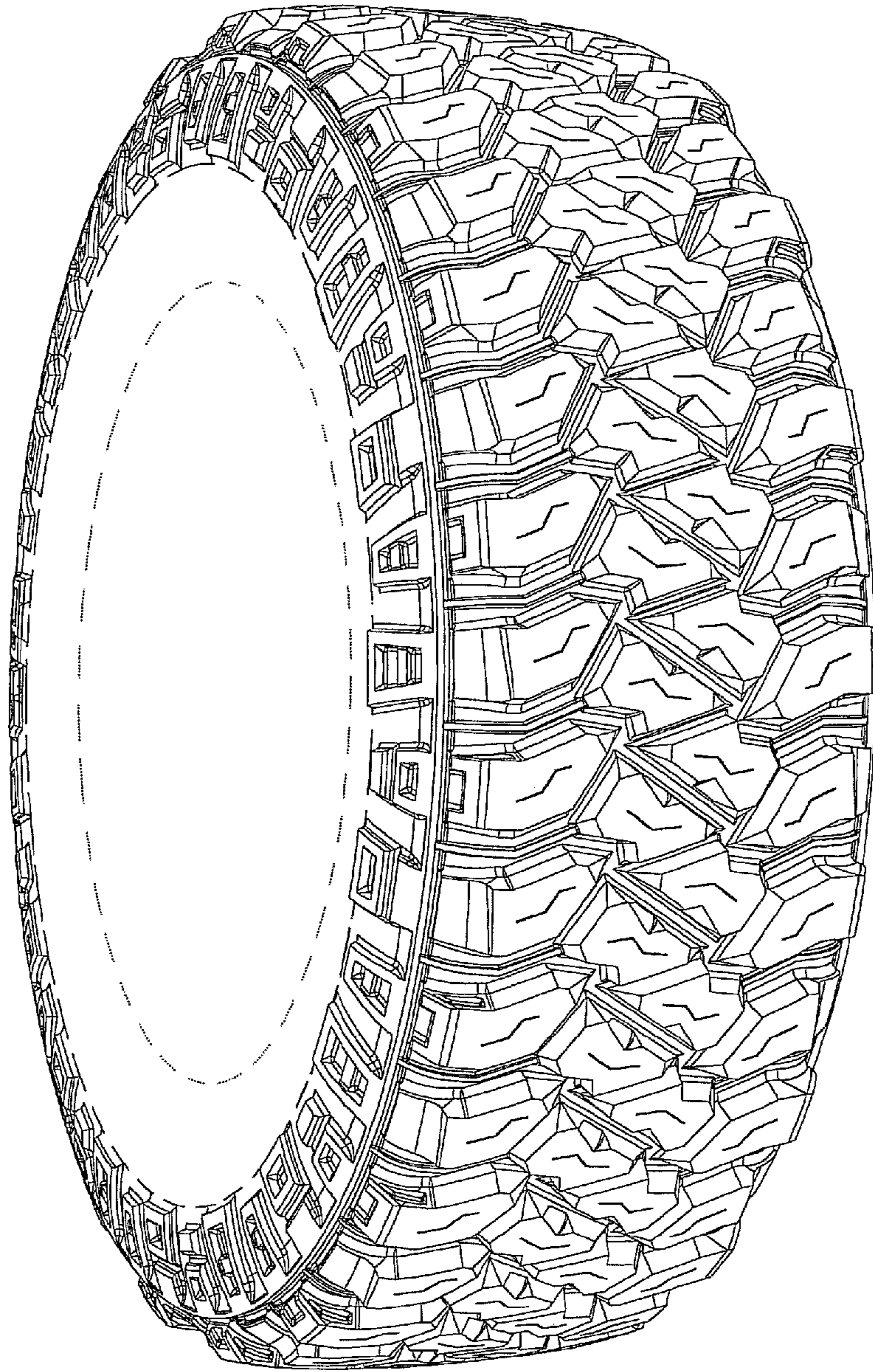


FIG. 1

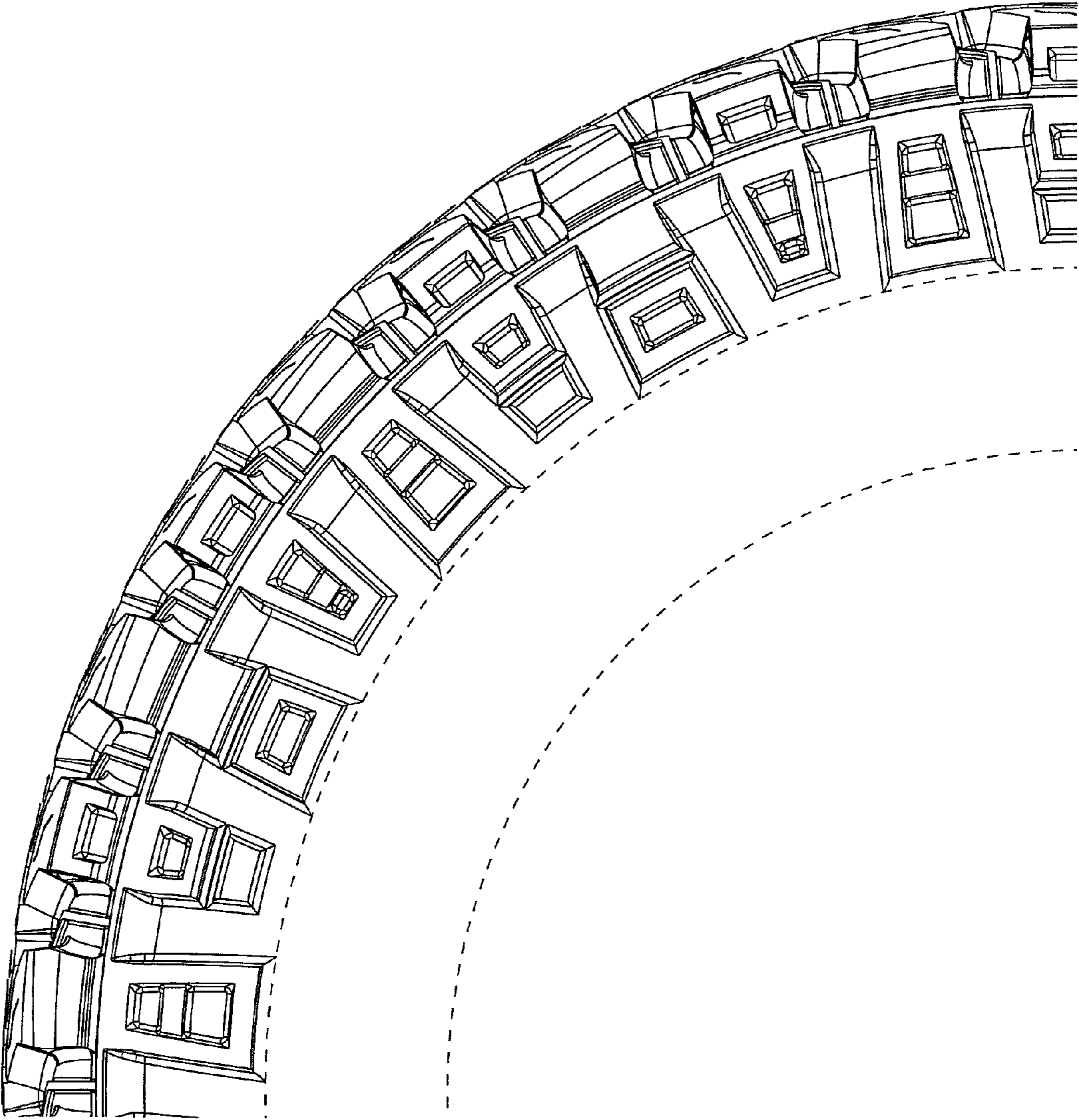


FIG. 2

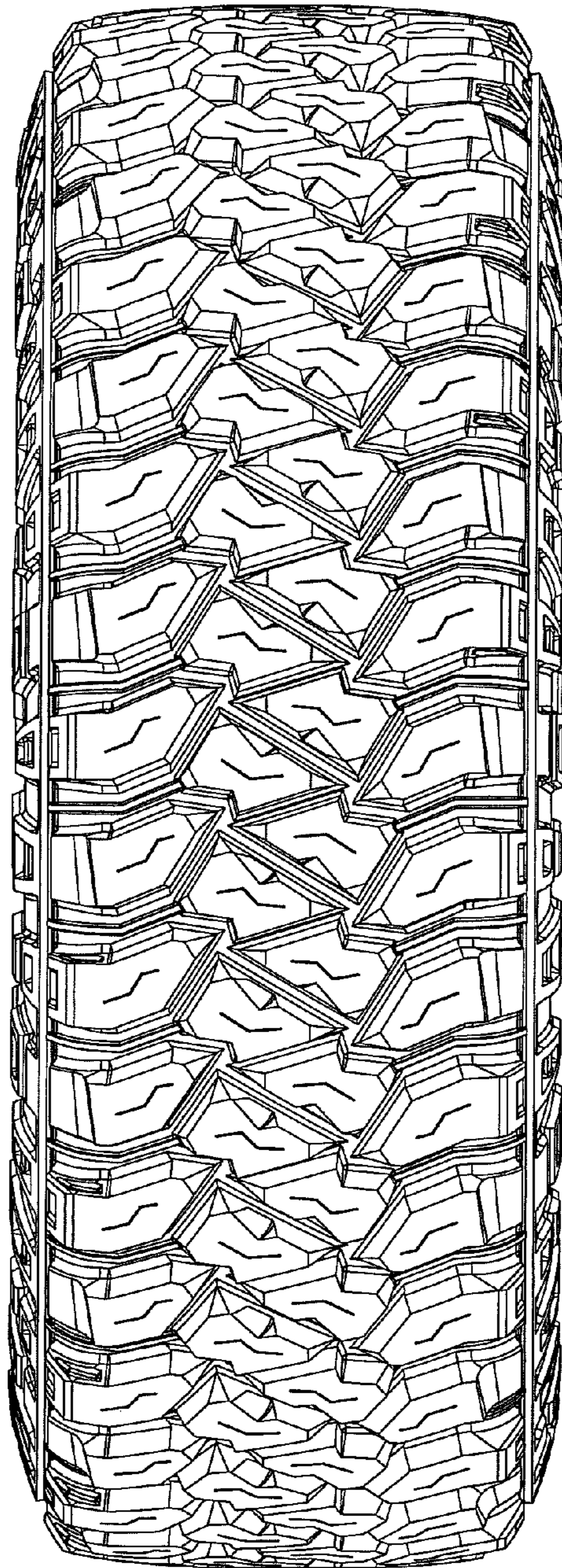


FIG. 3

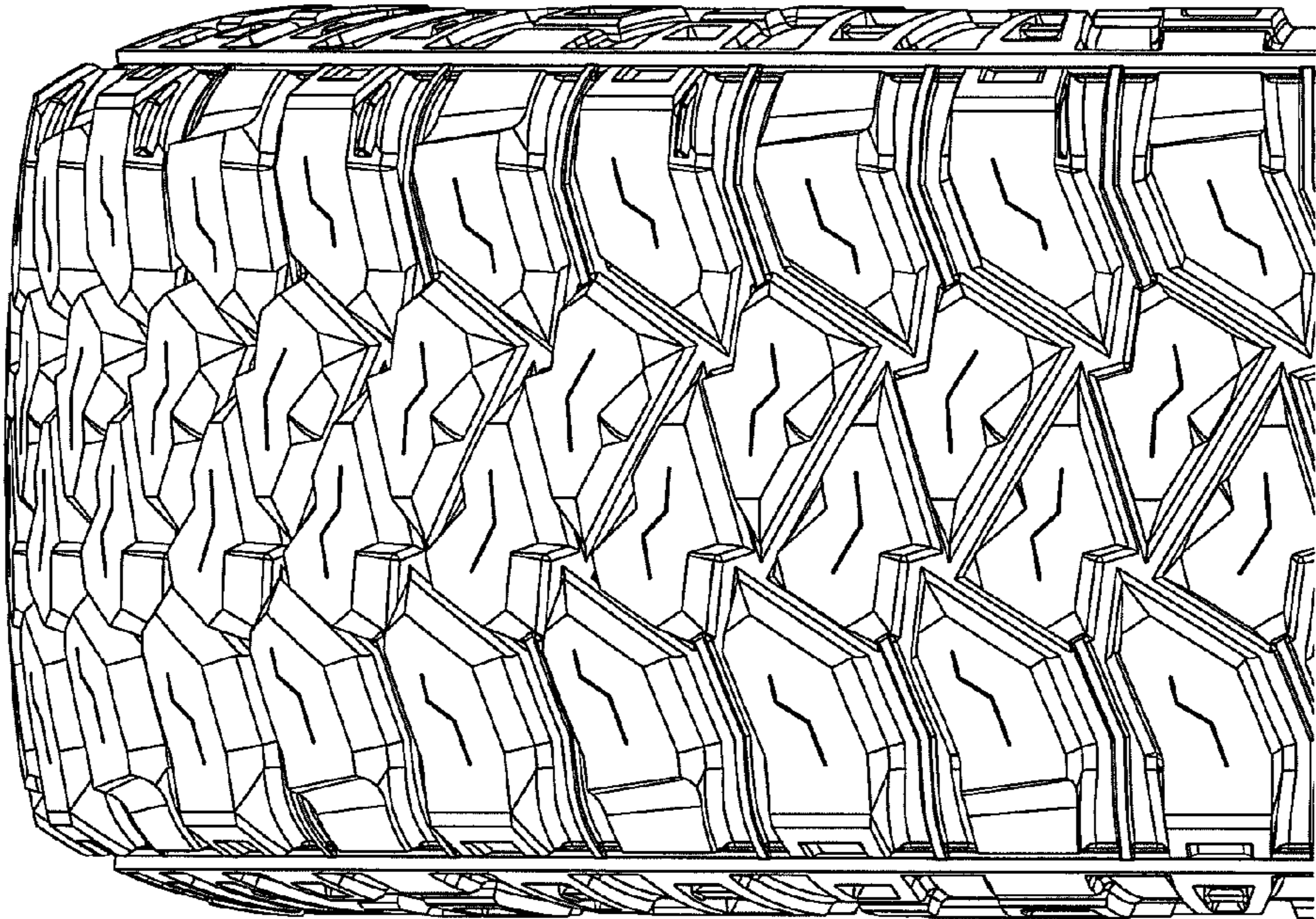


FIG. 4